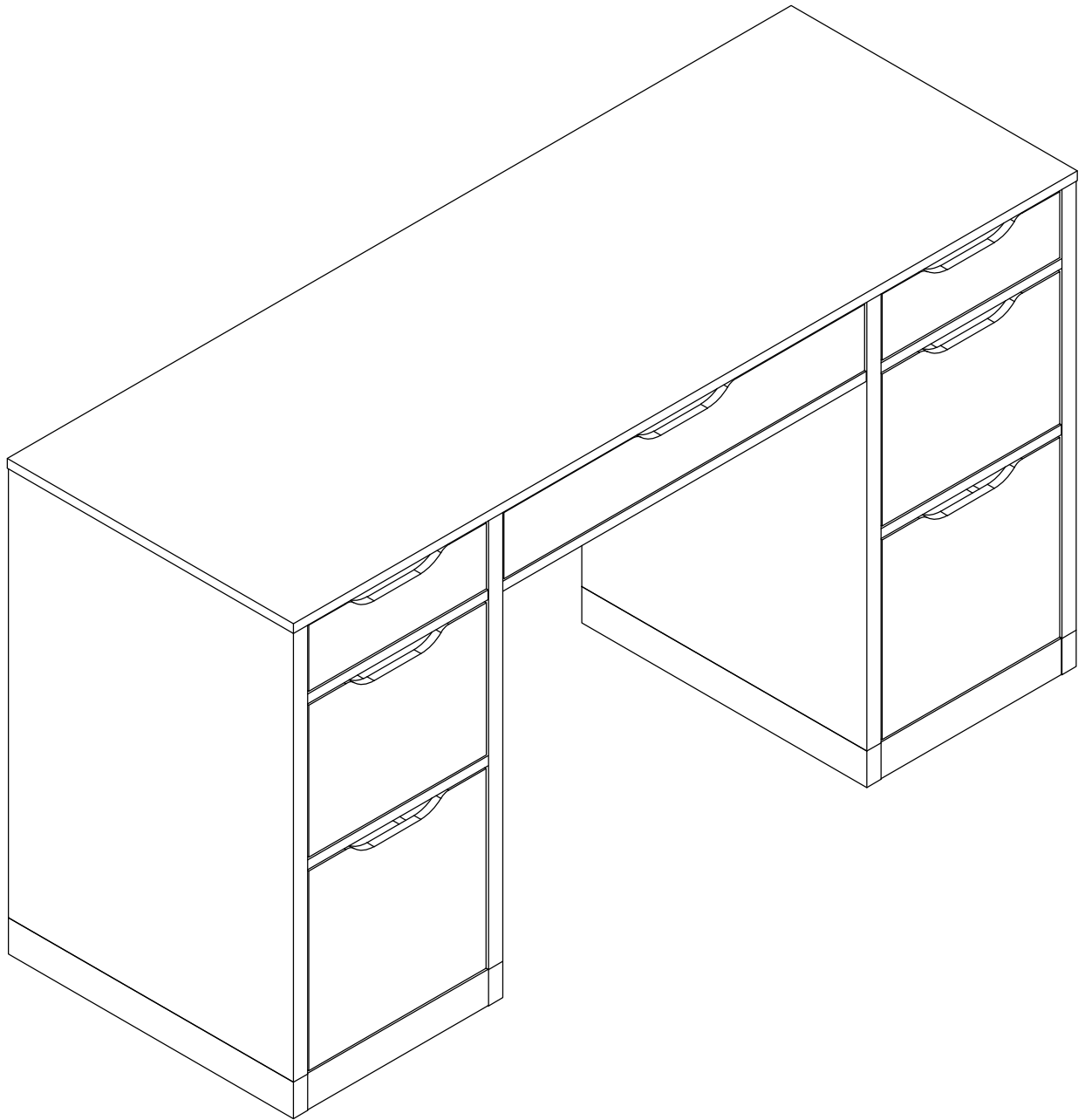
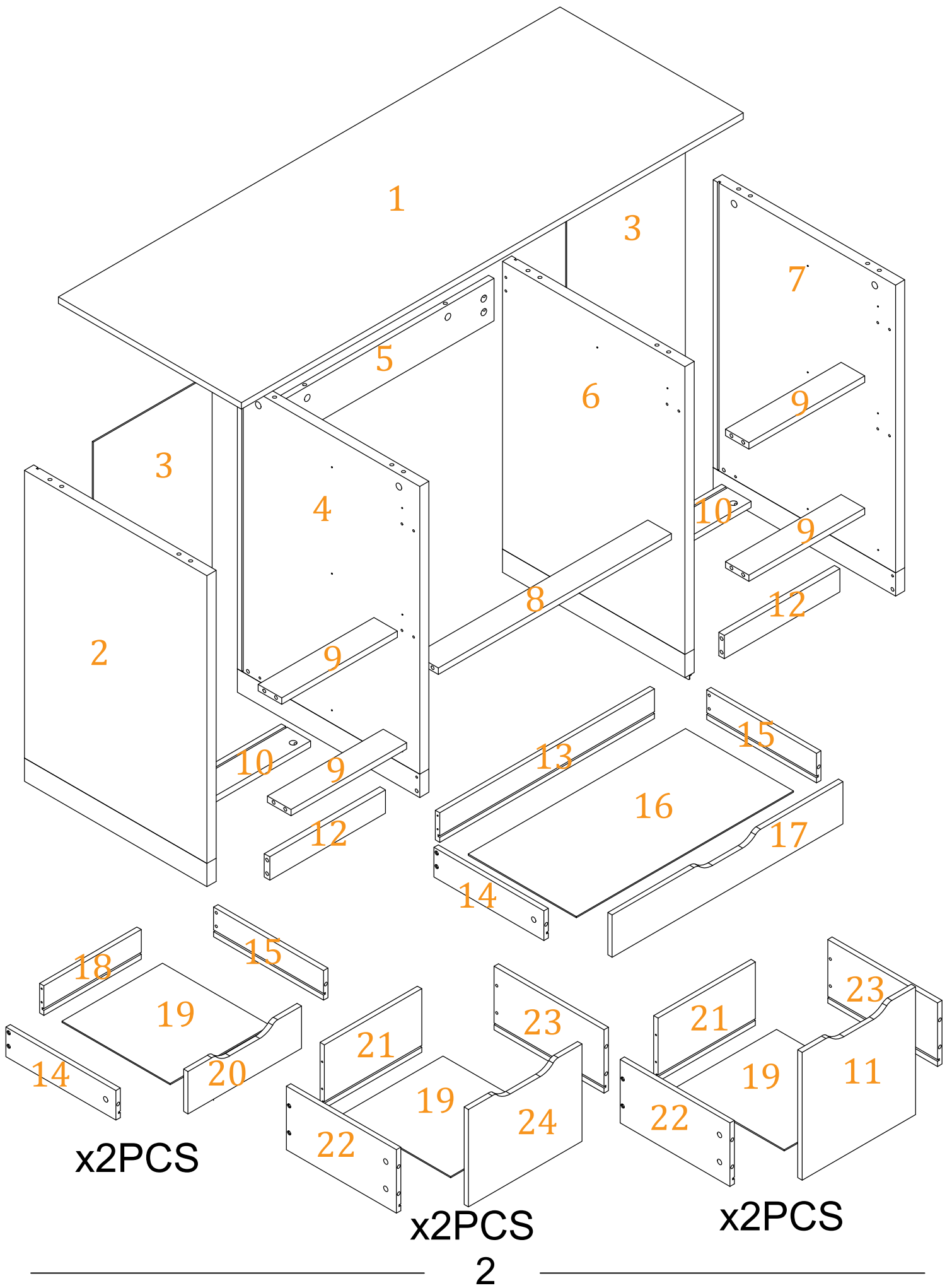


SKU:SF001026





# Trouble Shooting

Missing/Damaged pieces/  
Wrong size and installation issues



Contact us with your problem, pic,  
number and qty to the "Contact seller"  
button in the detail page of your order



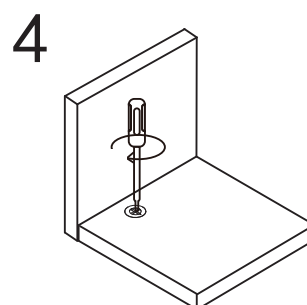
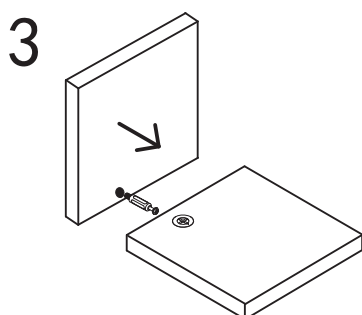
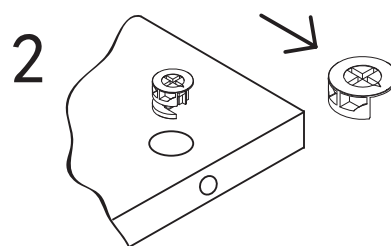
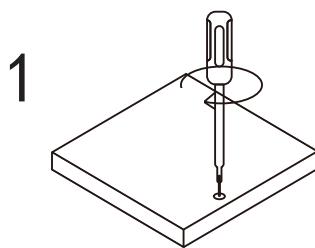
Respond with 24 hours to solve issue

# Before You Start

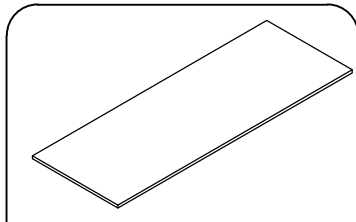
1. Read through each step carefully and follow the proper order
2. Separate and count all your parts and hardware
3. Give yourself enough room for the assembly process
4. Caution: If using a power drill or power screwdriver for screwing, please be aware to slow down and stop when screw is tight. Failure to do so may result in stripping the screw

## Cam Lock Fastening System

This Cam Lock Fastening System will be used throughout the assembly process

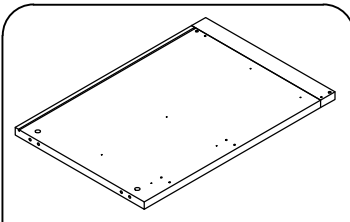


# Parts List



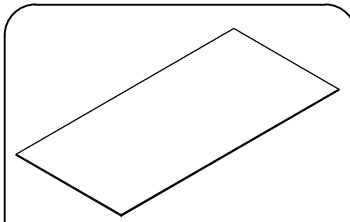
1

1PC



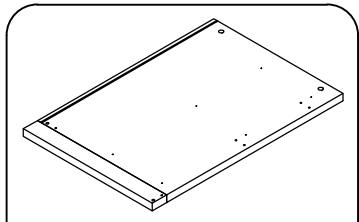
2

1PC



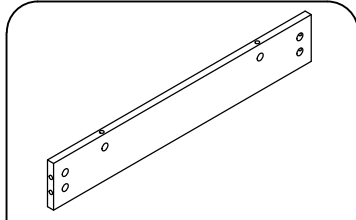
3

2PCS



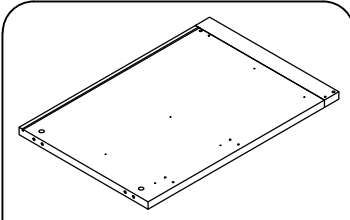
4

1PC



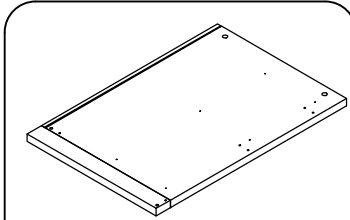
5

1PC



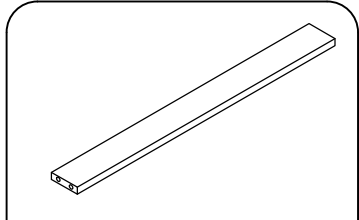
6

1PC



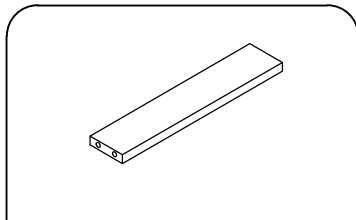
7

1PC



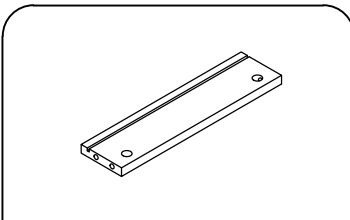
8

1PC



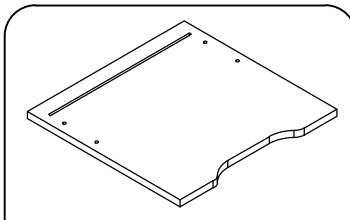
9

4PCS



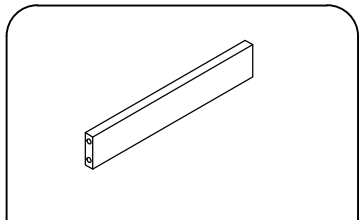
10

2PCS



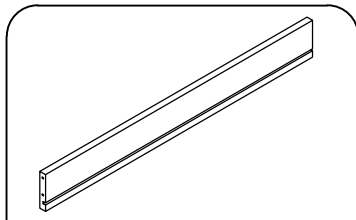
11

2PCS



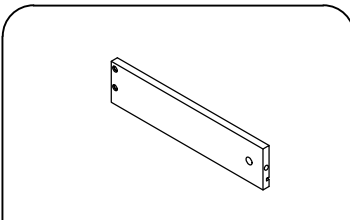
12

2PCS



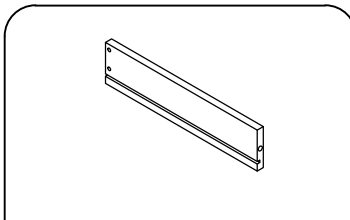
13

1PC



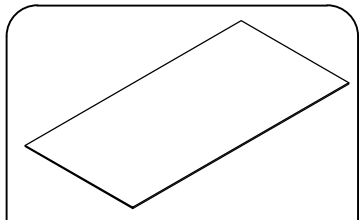
14

3PCS



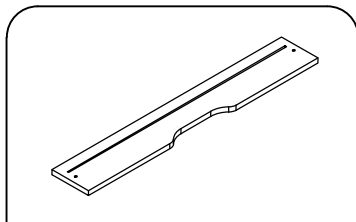
15

3PCS



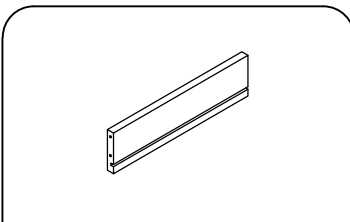
16

1PC



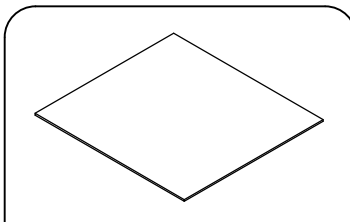
17

1PC



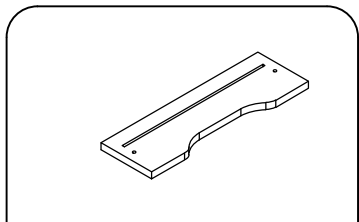
18

2PCS



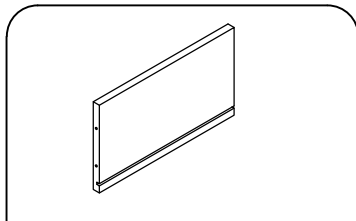
19

6PCS



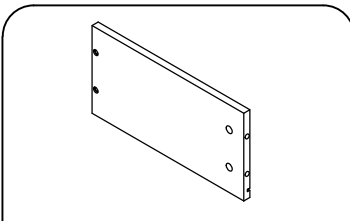
20

2PCS



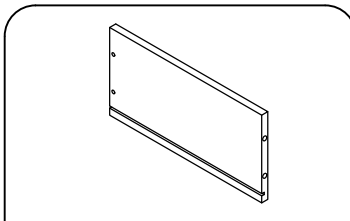
21

4PCS



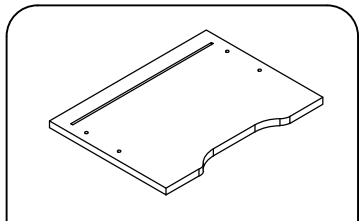
22

4PCS



23

4PCS



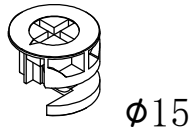
24

2PCS

# Hardware List



A 64PCS

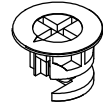


B 42PCS



$\phi 8 \times 30 \text{mm}$

C 16PC



$\phi 12$

D 22PC



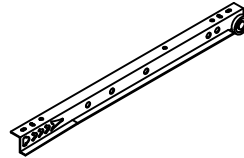
$\phi 4 \times 40 \text{mm}$

E 28PCS

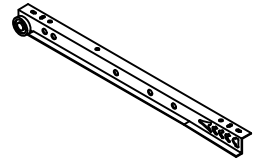


$\phi 3.5 \times 12 \text{mm}$

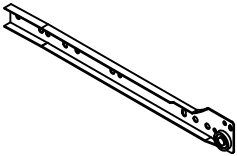
F 28PCS



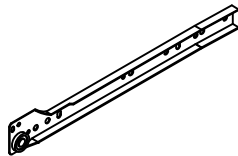
G 7PCS



H 7PCS



I 7PCS



J 7PCS



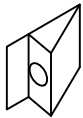
$\phi 3 \times 12 \text{mm}$

K 28PCS



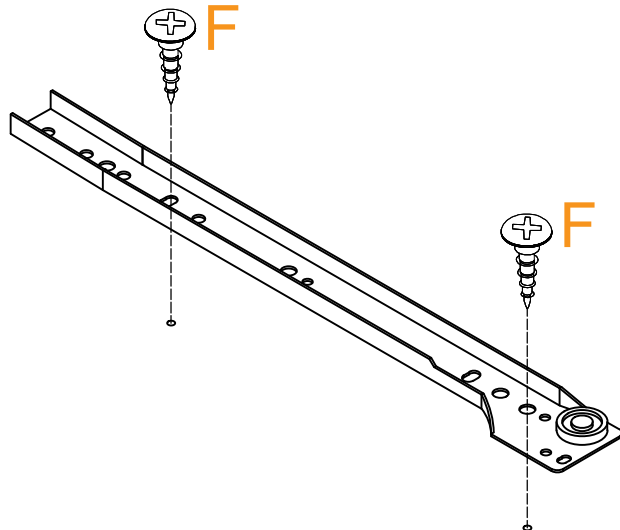
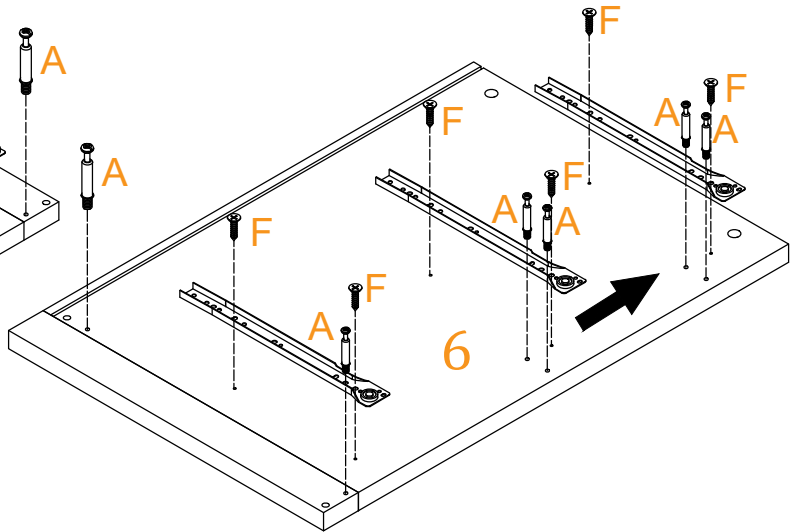
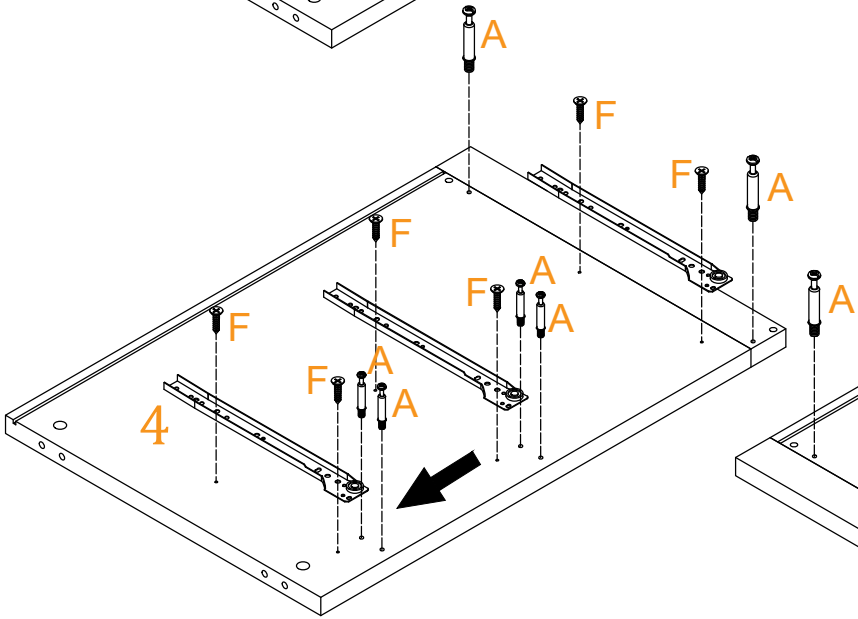
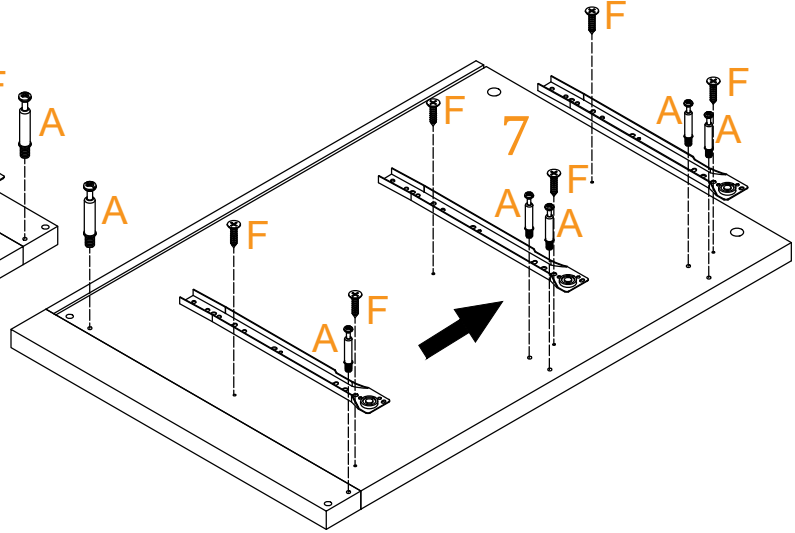
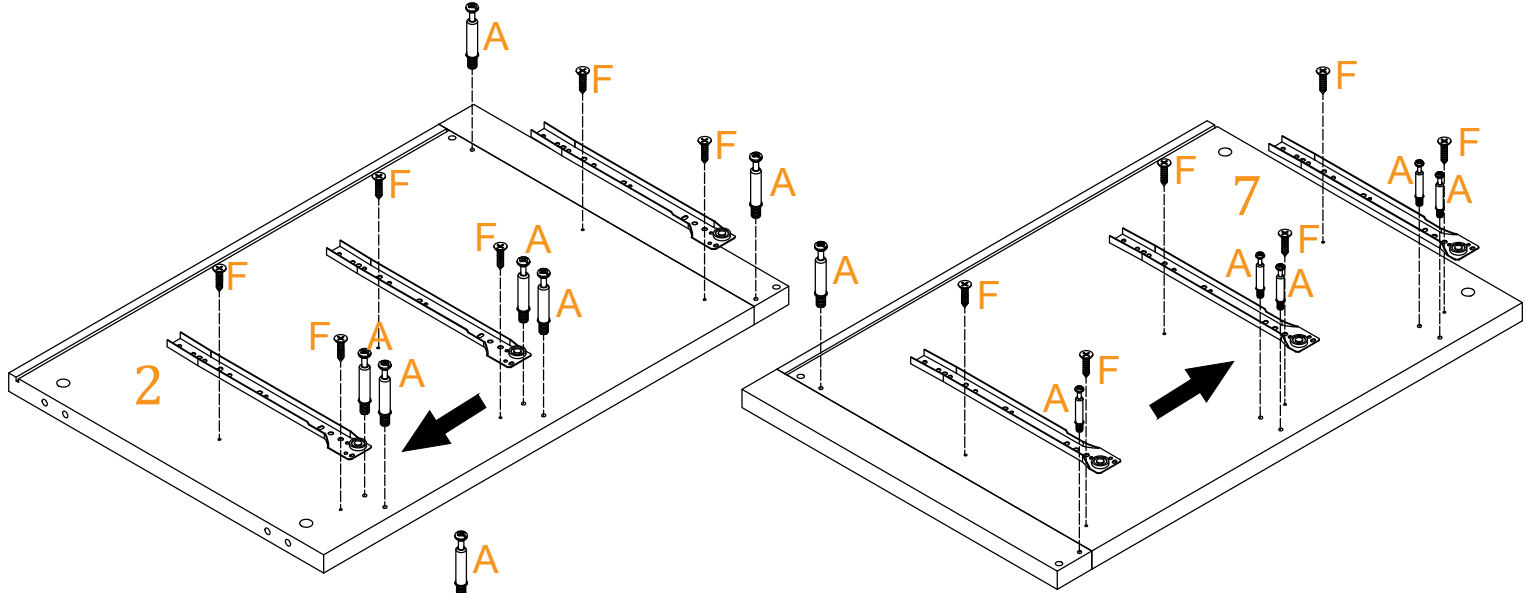
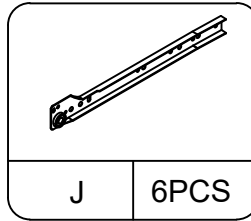
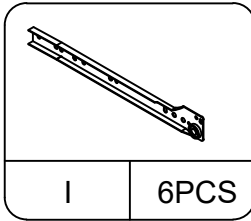
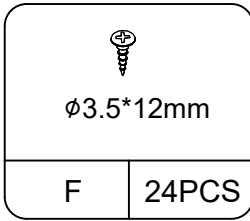
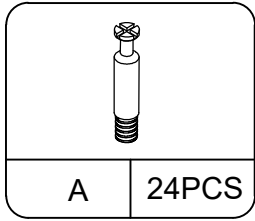
$\phi 3 \times 14 \text{mm}$

L 8PCS



M 8PCS

# STEP 1



# STEP 2



φ15

B

24PCS



Ø8\*30mm

C

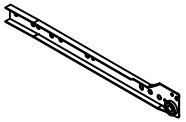
8PCS



φ3.5\*12mm

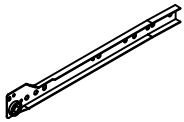
F

4PCS



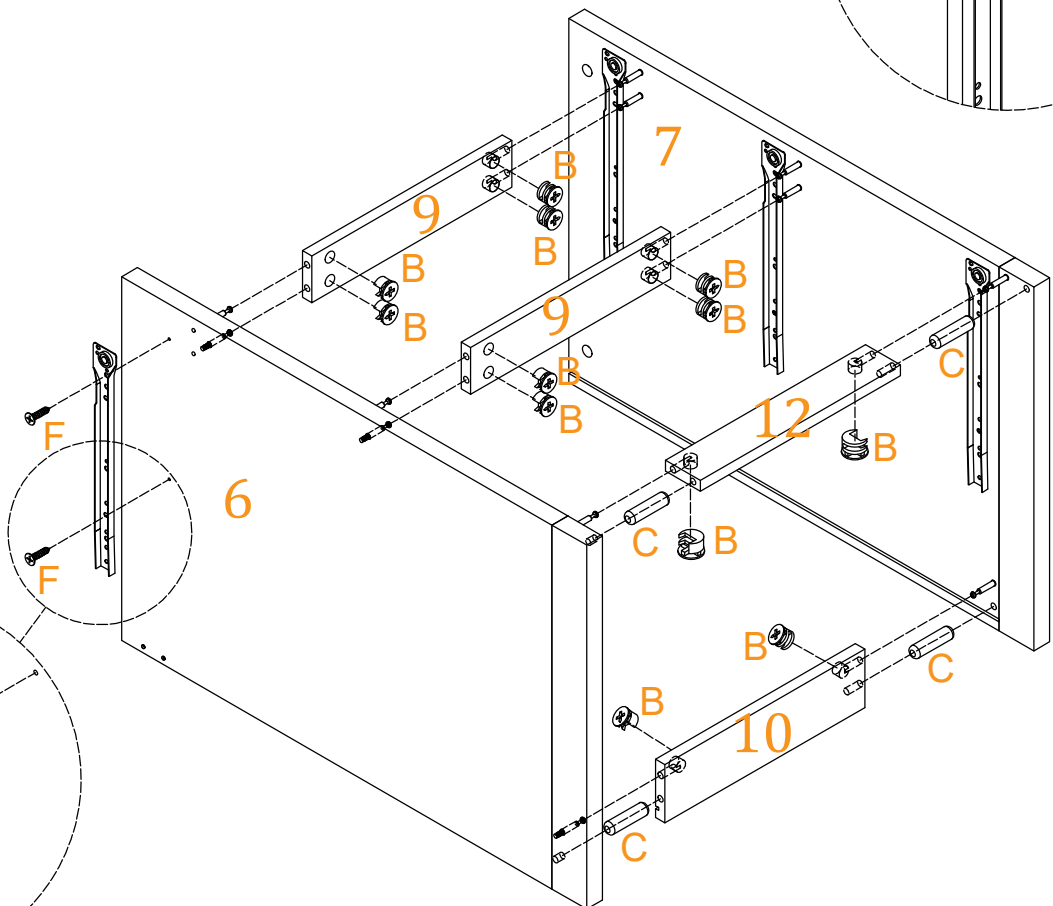
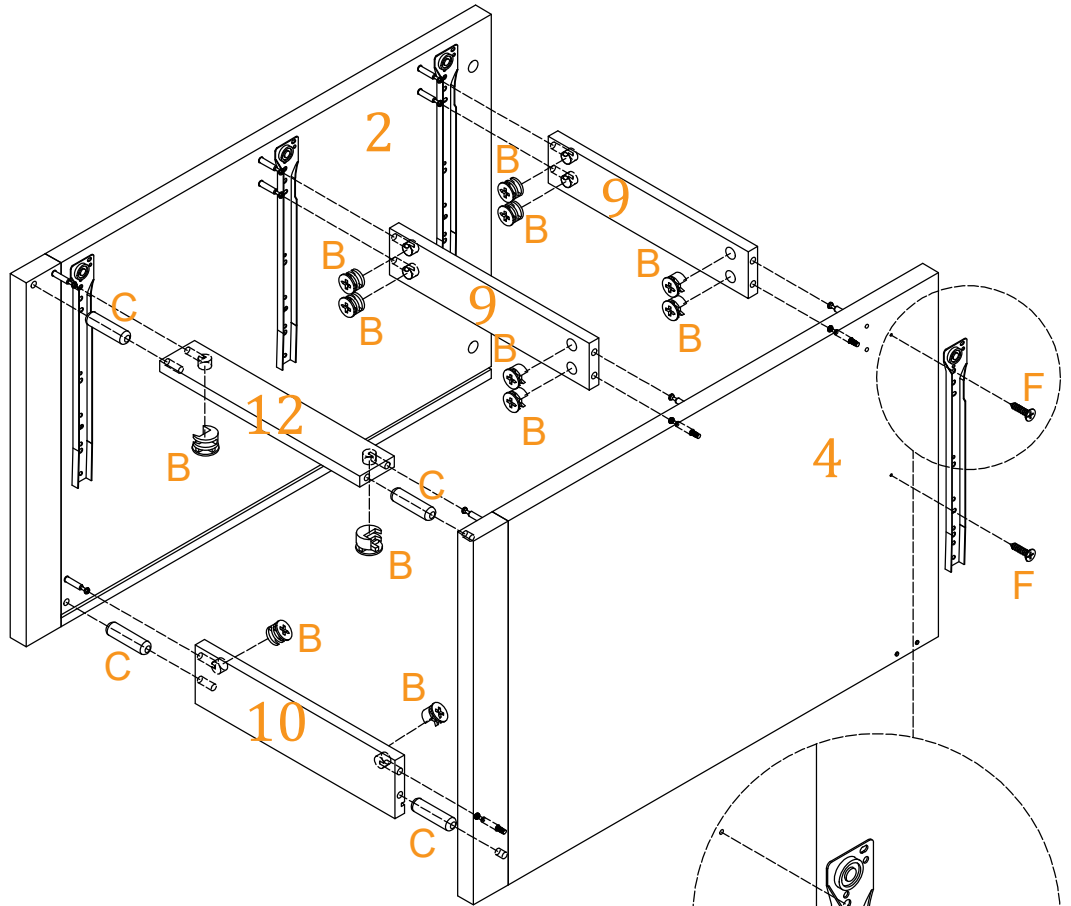
I

1PCS



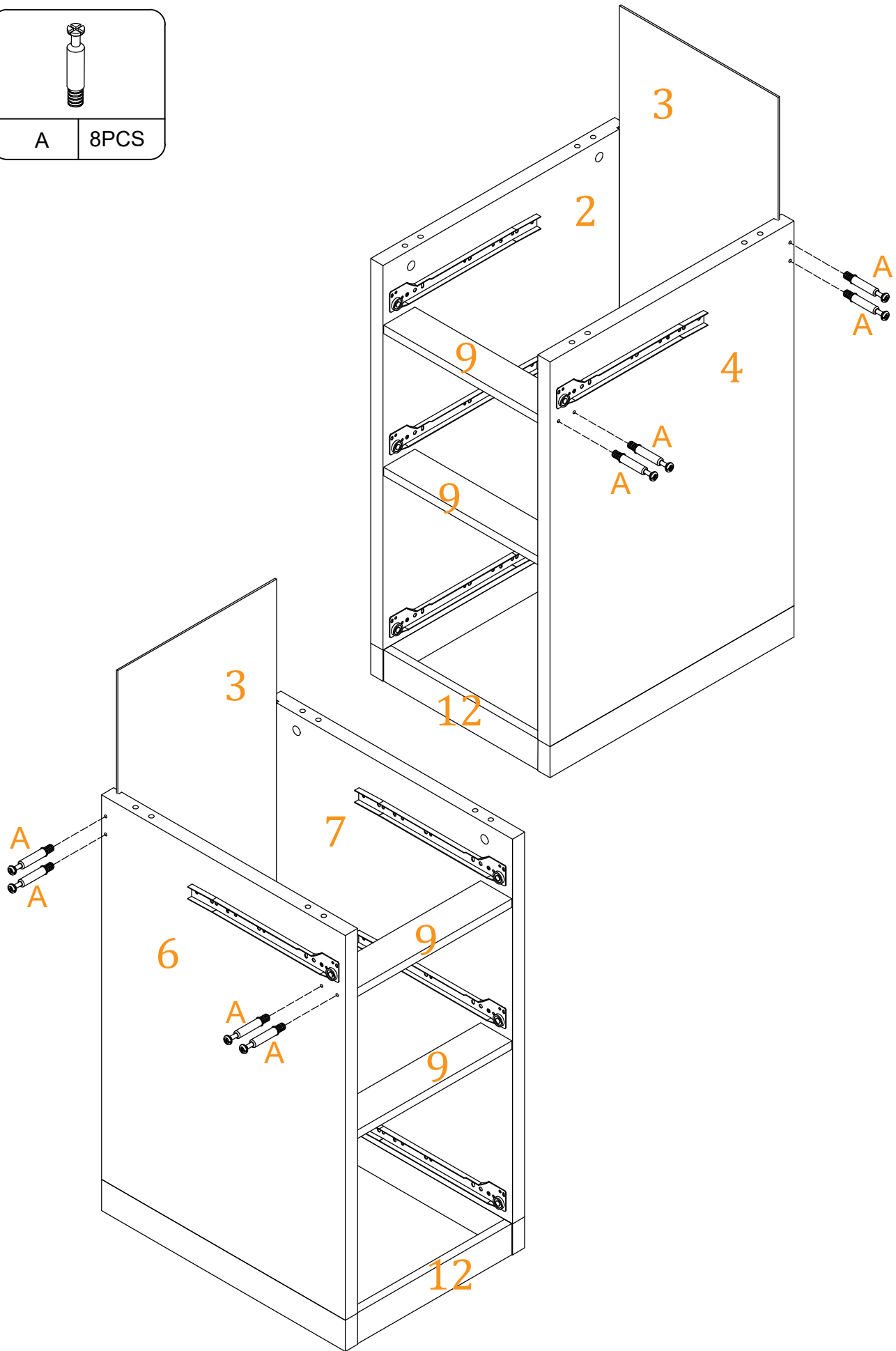
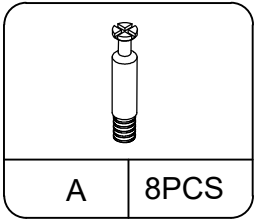
J

1PCS

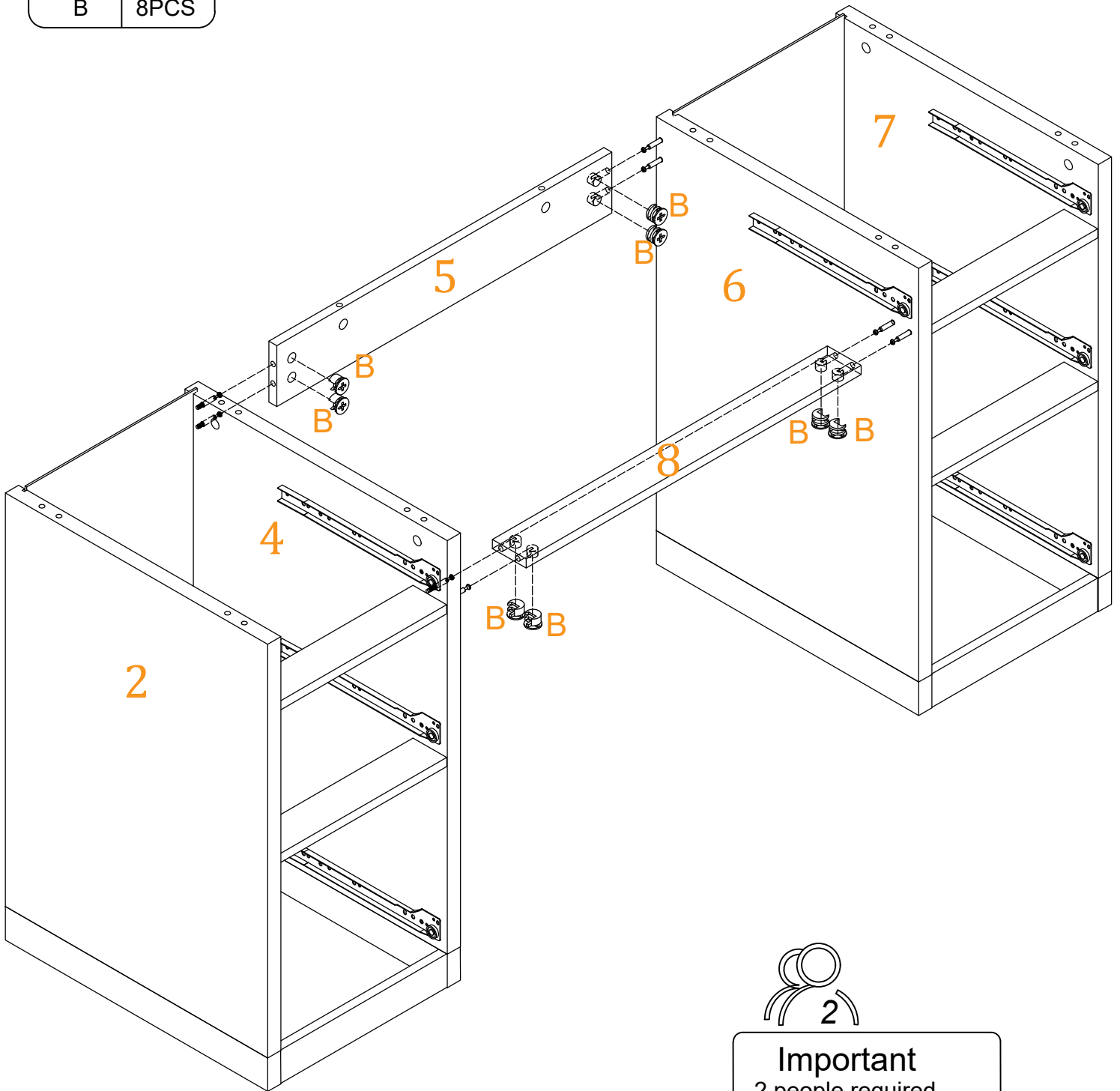
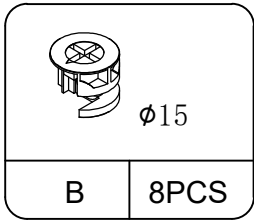




# STEP 3






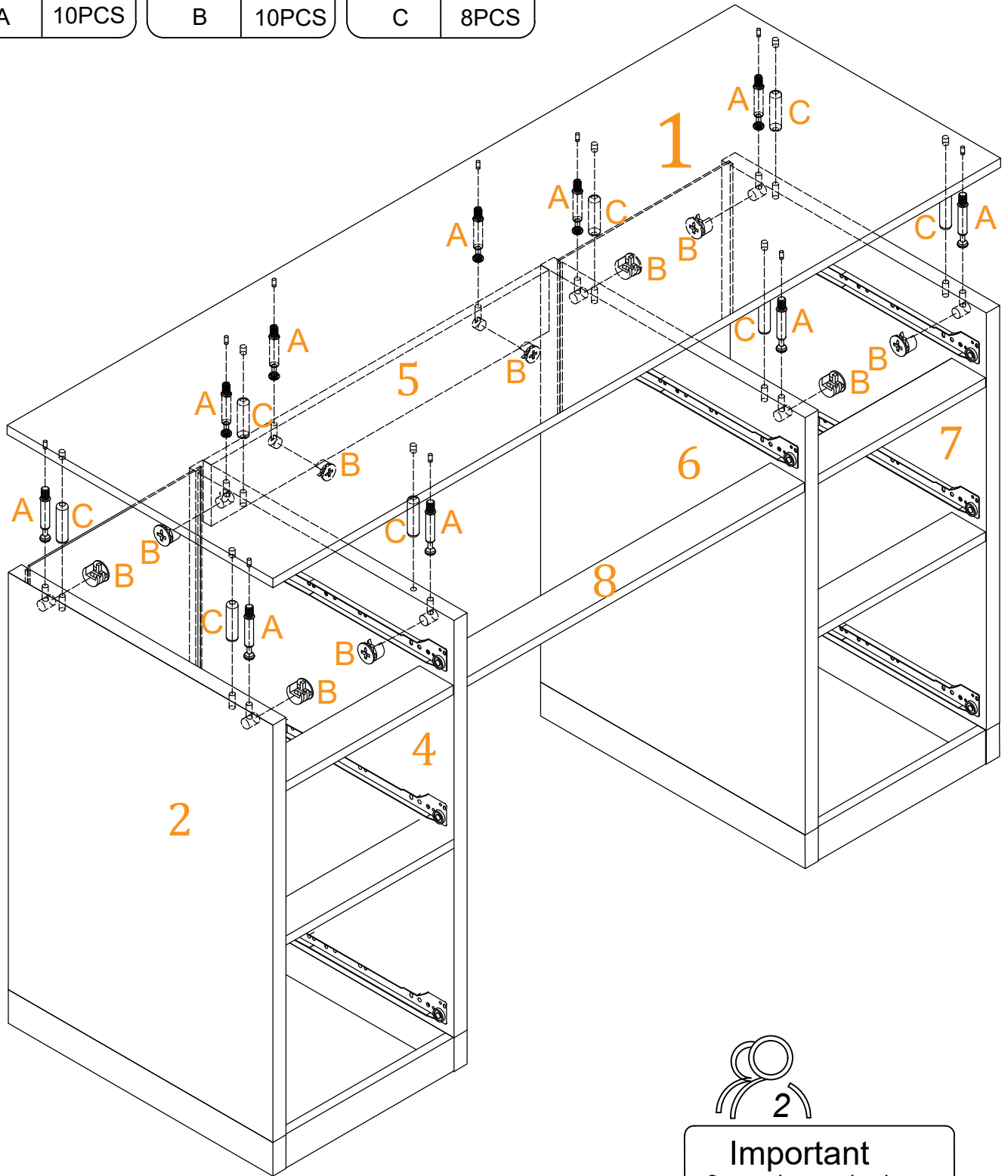
# STEP 4



**Important**  
2 people required  
2 personnes requises  
2 personas requeridas


# STEP 5

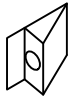
		
A	B	C
10PCS	10PCS	8PCS

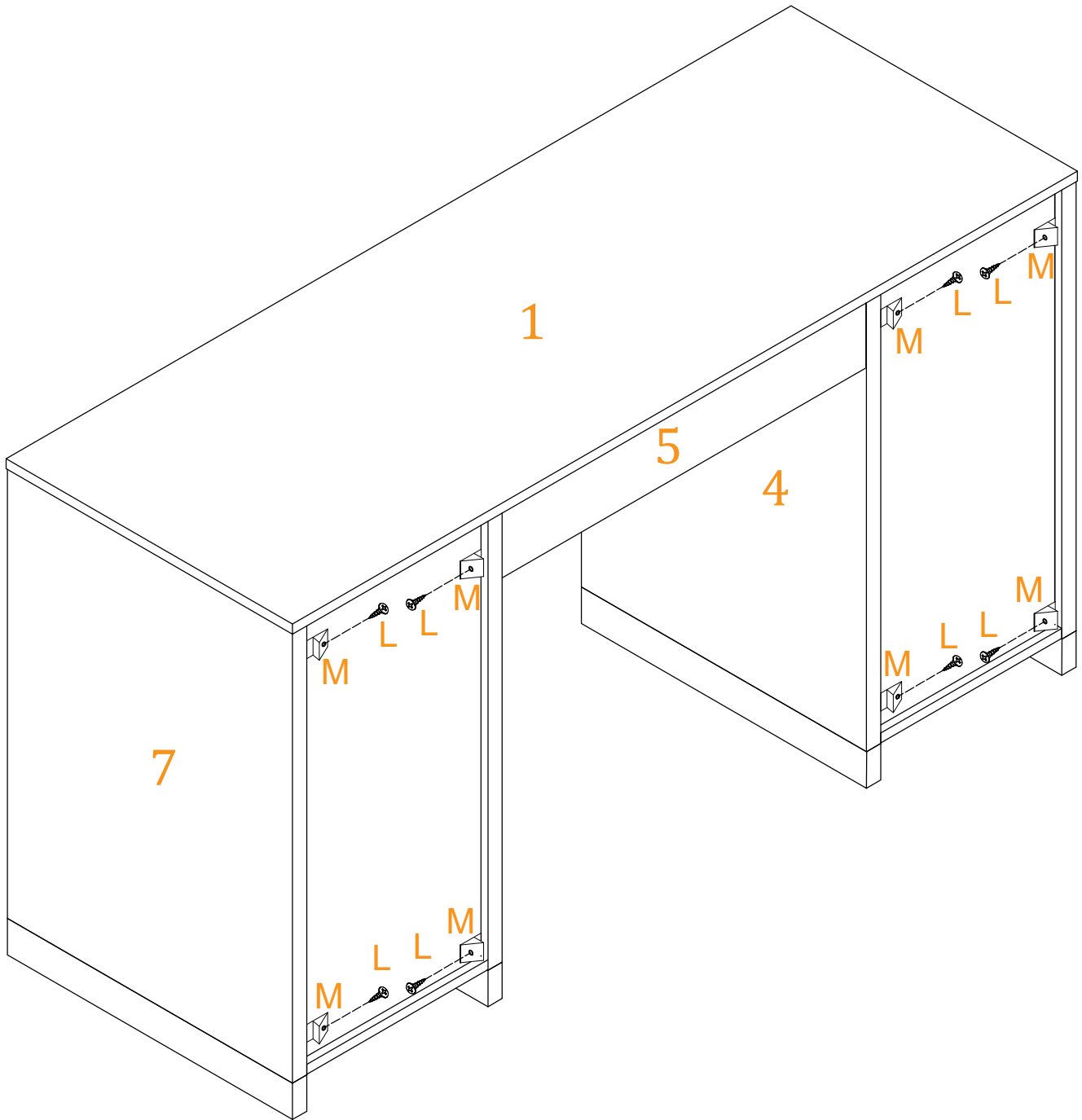


**Important**  
2 people required  
2 personnes requises  
2 personas requeridas

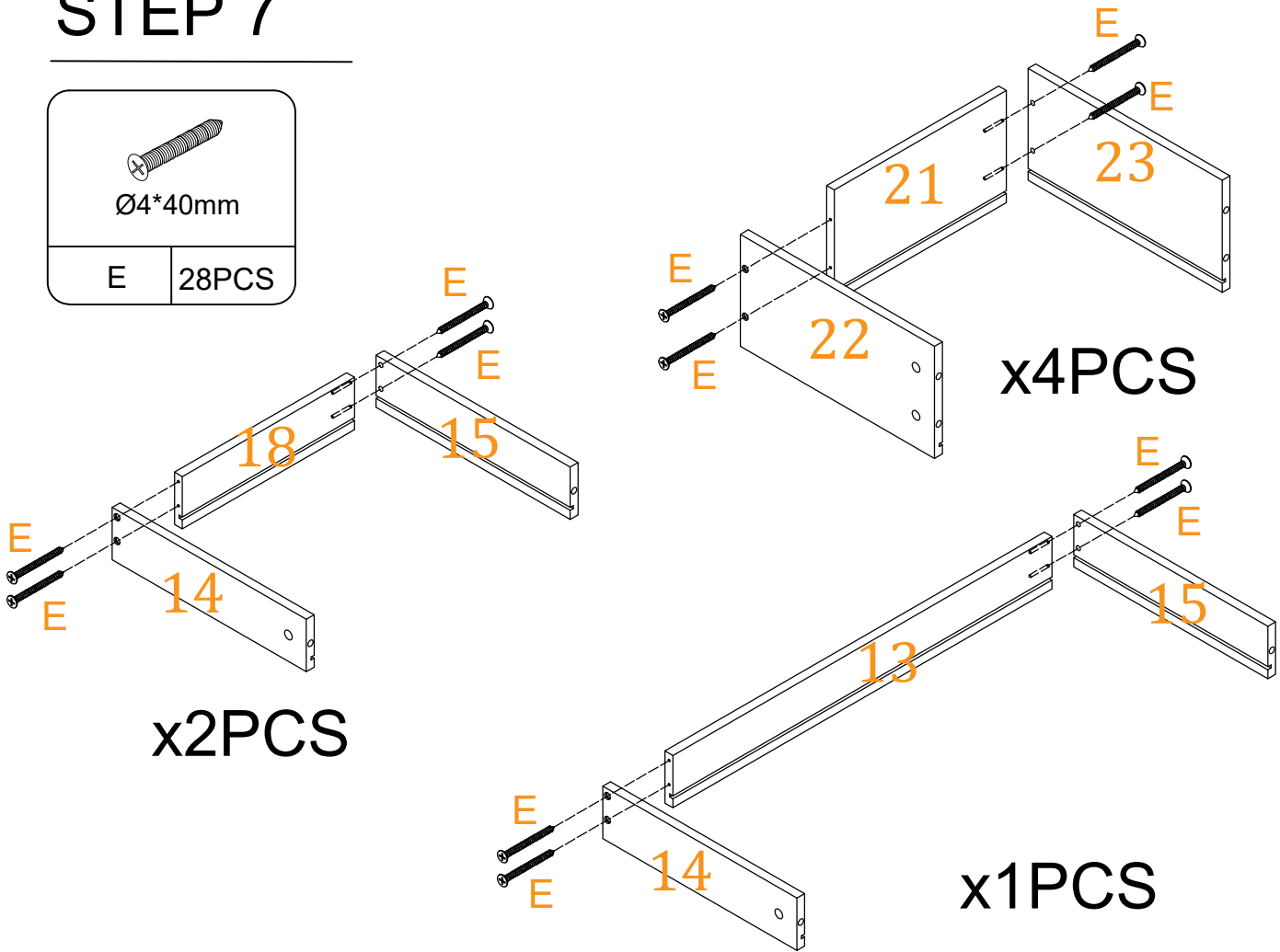
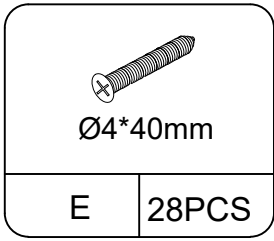
# STEP 6

 ø3*14mm	
L	8PCS

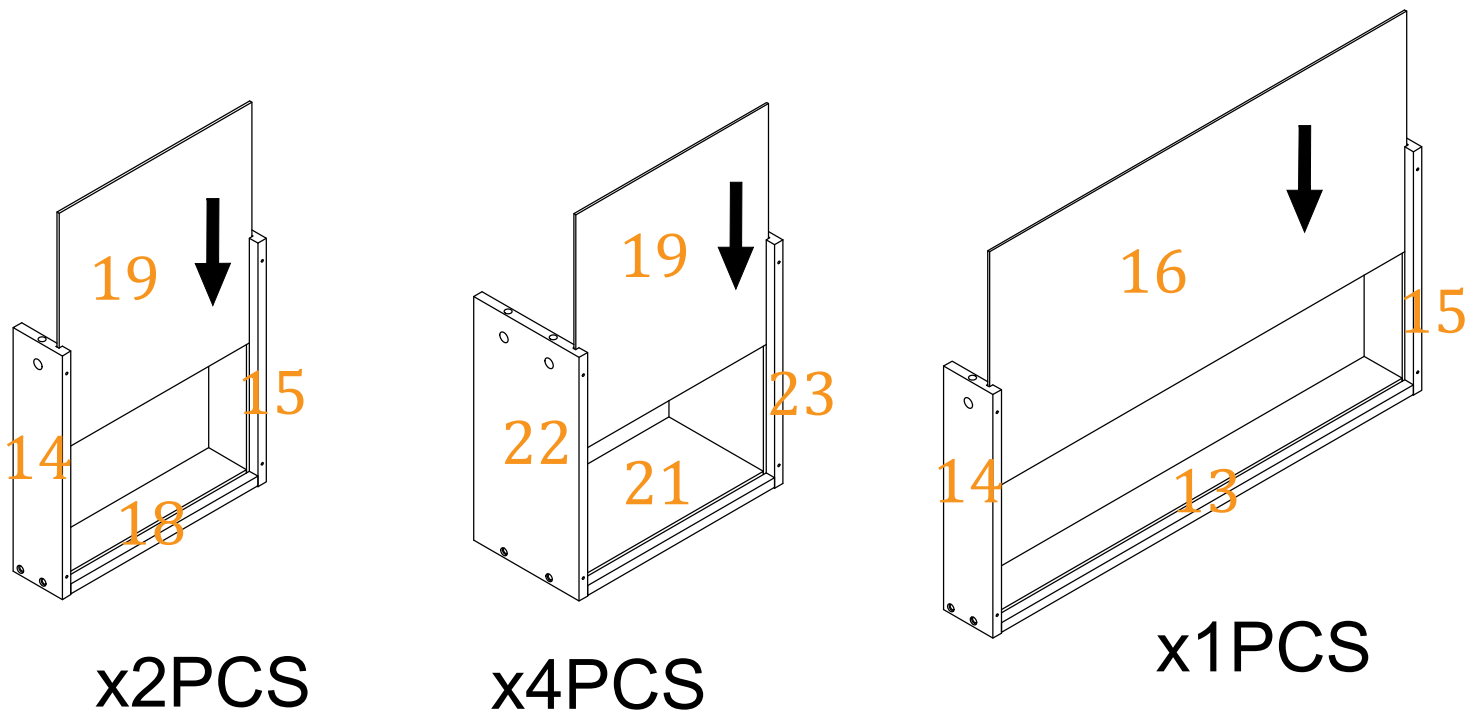
	
M	8PCS



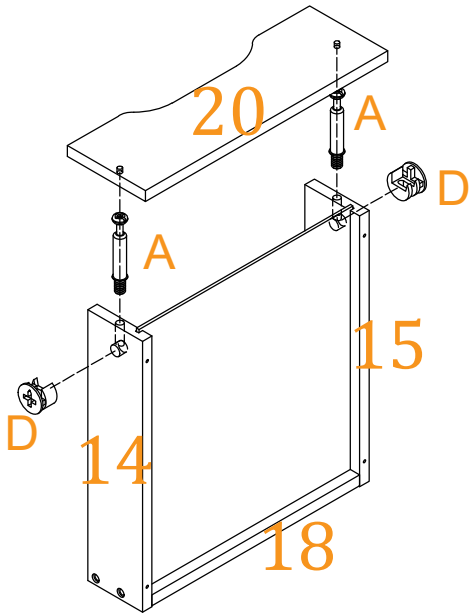
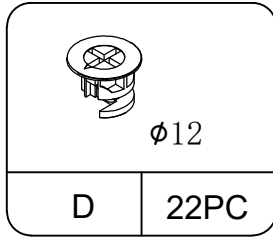
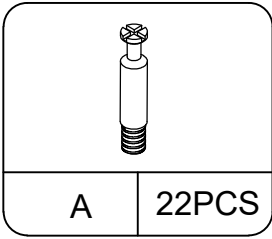
# STEP 7



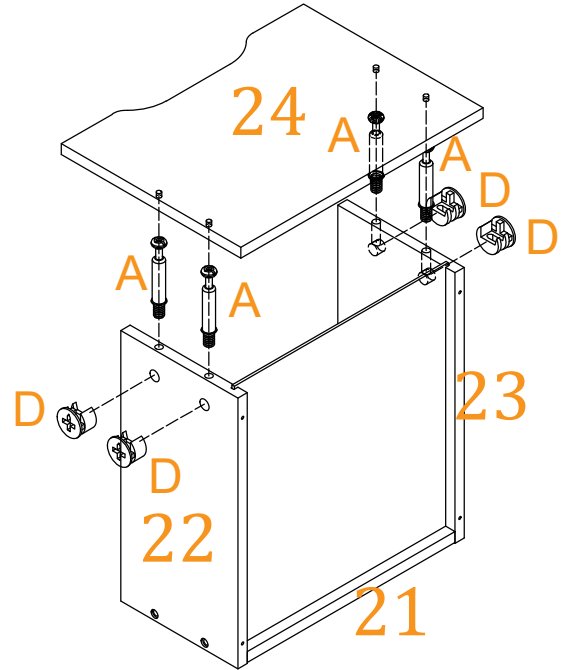
# STEP 8



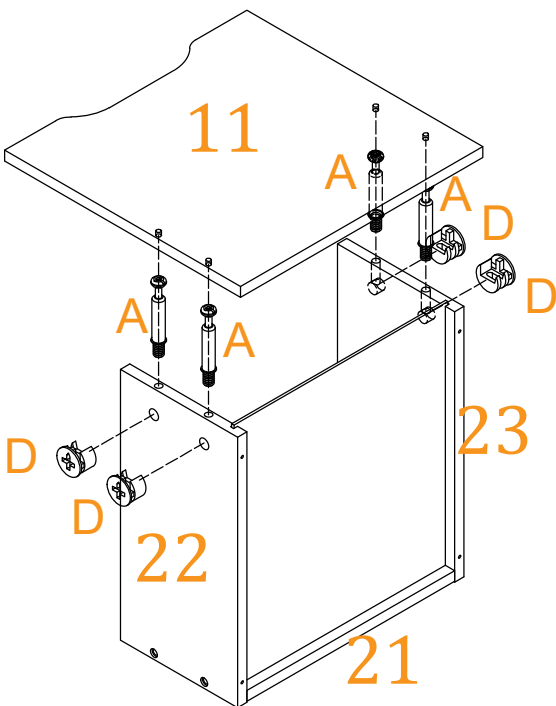
# STEP 9



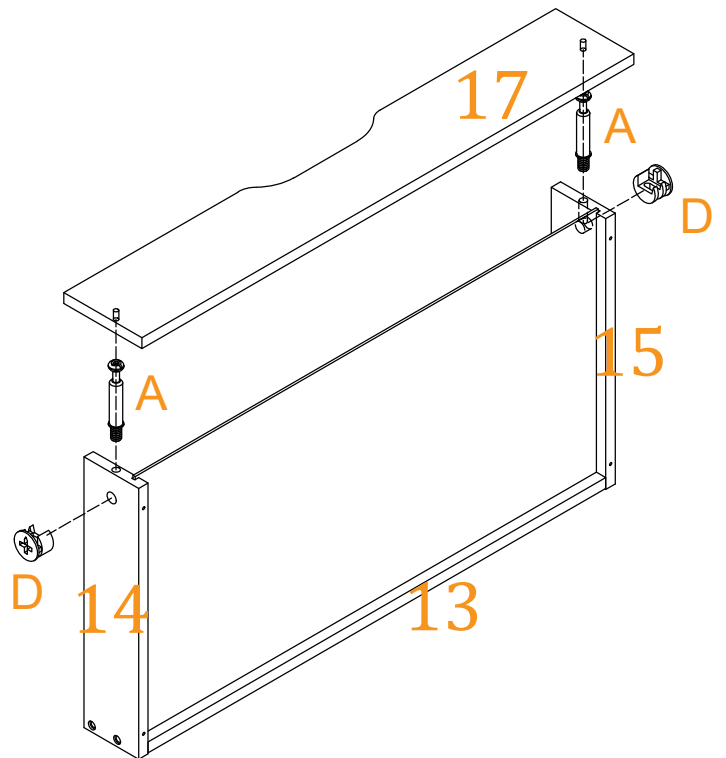
x2PCS



x2PCS

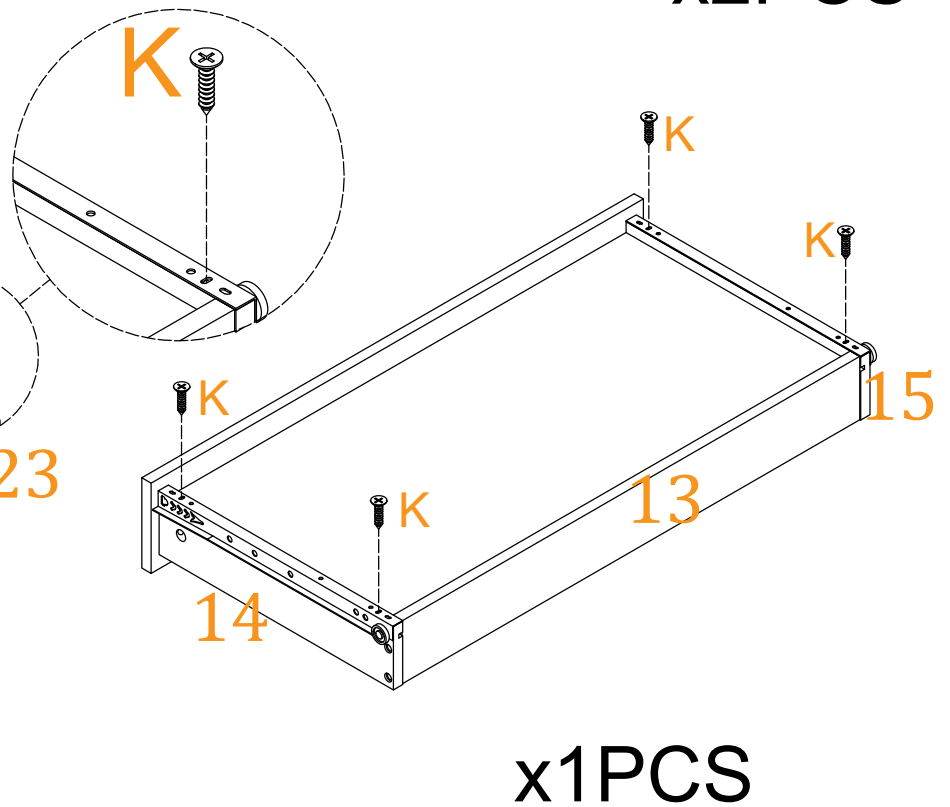
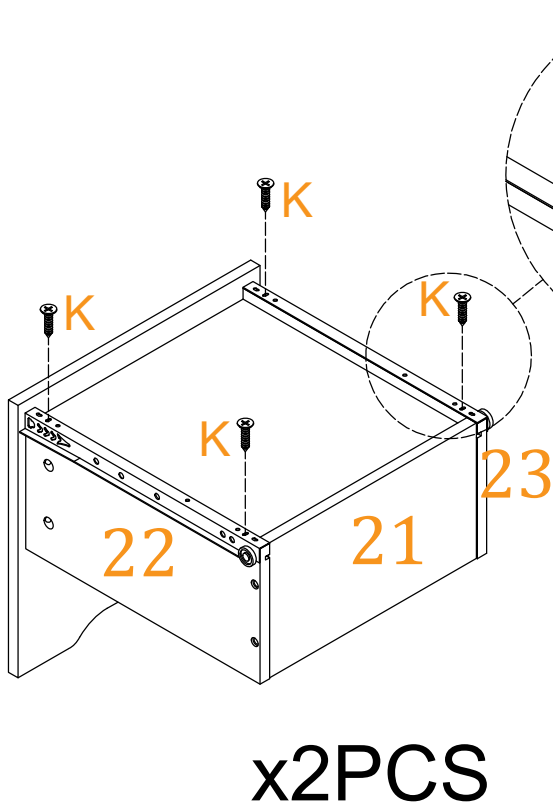
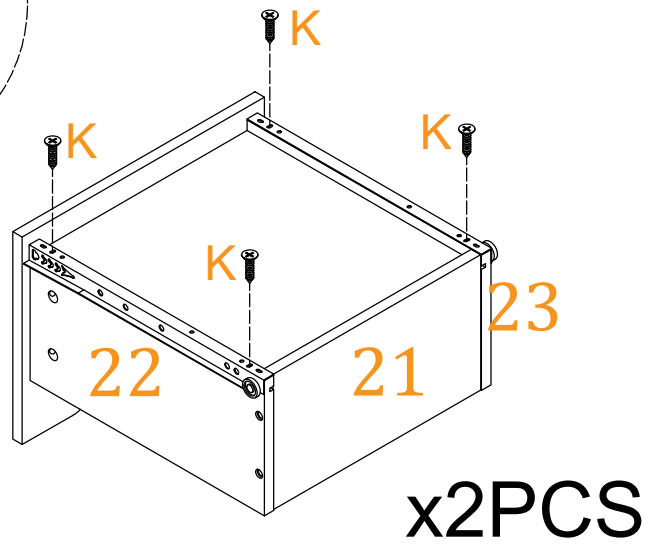
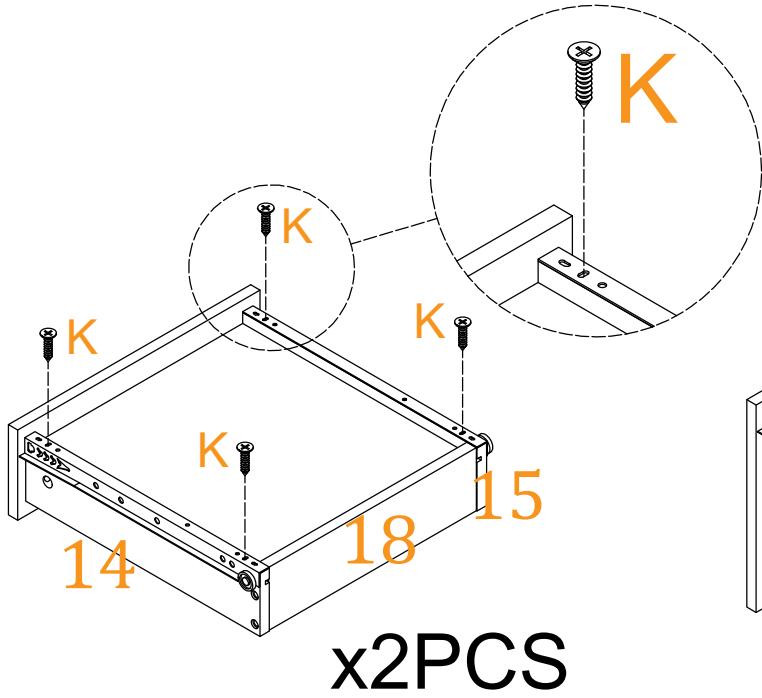
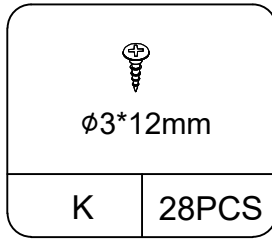
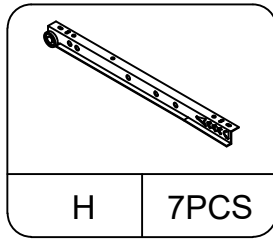
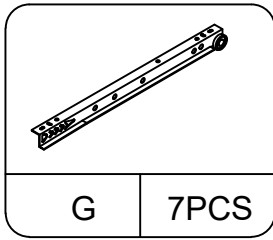


x2PCS



x1PCS

# STEP 10



# STEP 11

---

