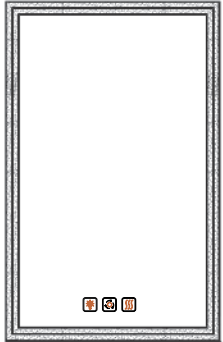
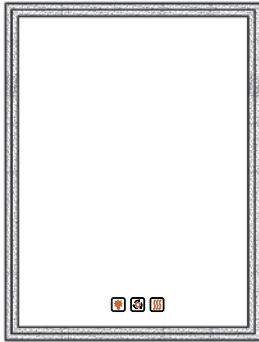


INSTALLATION MANUAL

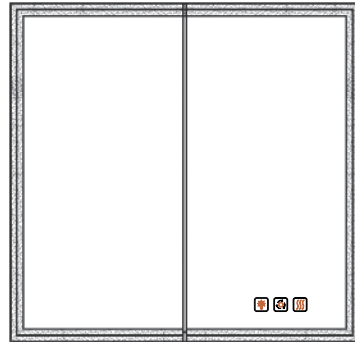
Flow-Light Medicine Cabinet with Mirror



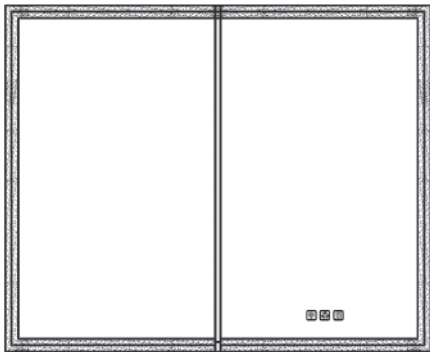
20"
SILX-2028(L/R)



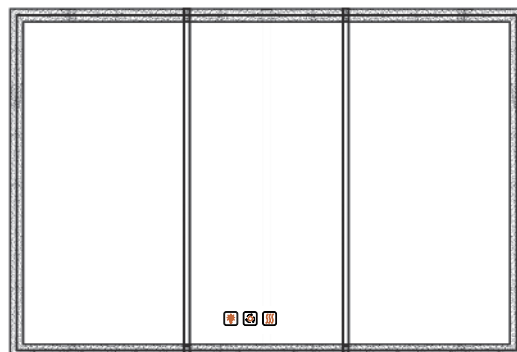
24"
SILX-2436(L/R)



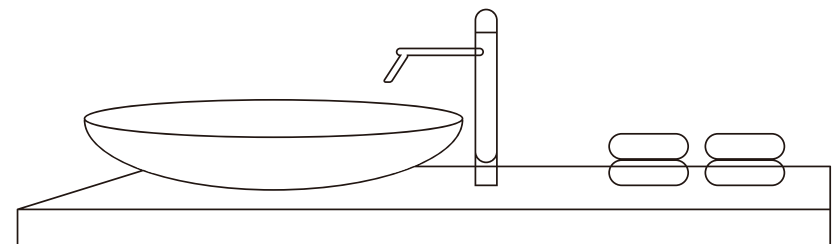
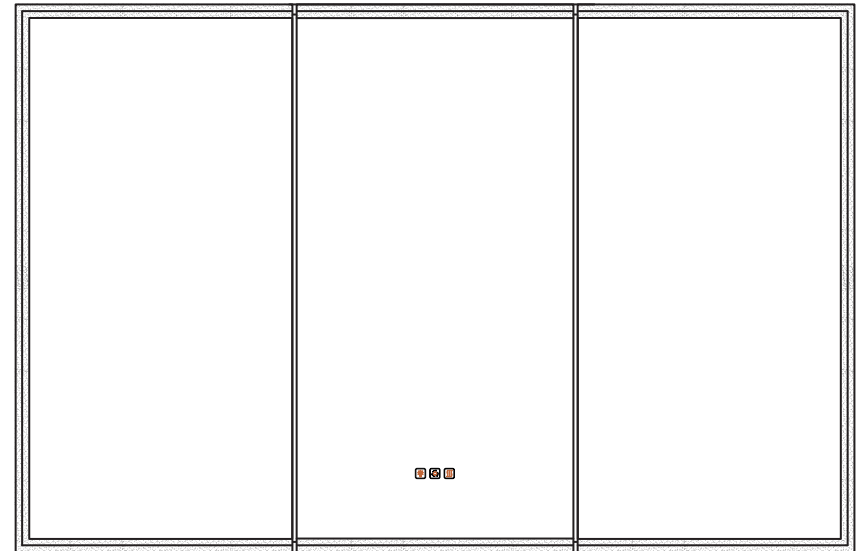
36"
SILX-3636



48"
SILX-4836



60"
SILX-6036



IMPORTANT SAFETY WARNINGS

Failure to follow safety precautions may result in fire, electric shock, or injury.

⚠️ DANGER: ELECTRICAL HAZARD

Connect **ONLY** to a 120V AC, 20A GFCI-protected circuit.
Power **MUST** be shut off at breaker before wiring.
All electrical work **MUST** be performed by a licensed electrician.

⚠️ WARNING

Use **ONLY** for indoor residential bathrooms. Do not install outdoors.
Never insert objects into electrical components.
Do not use attachments not specified by the manufacturer

⚠️ GROUNDING REQUIREMENT

Must connect to a grounded metal wiring system.
Equipment-grounding conductor **MUST** be connected to the green grounding terminal.

ELECTRICAL CONNECTION GUIDE

ALL WIRING SHOULD BE DONE BY A QUALIFIED LICENCED ELECTRICIAN.

⚠️ WARNING: Shut off power before wiring.
Requires 120 VAC 20 Amp GFI protected Circuit.

GROUNDING INSTRUCTIONS:

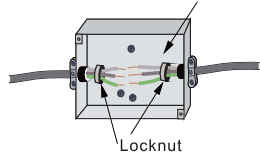
⚠️ CAUTION: This product must be connected to a grounded metal permanent wiring system or an equipment-grounding conductor must be run with the circuit conductors and connected to the equipment grounding terminal or lead on the product.

⚠️ Critical Compliance: Install GFCI protection as required by U.S. National Electrical Code (NEC) for bathroom locations.

Wiring Procedure:

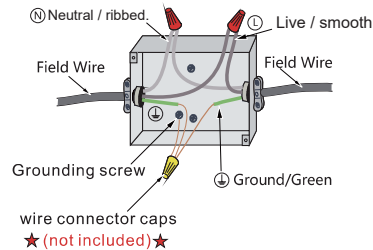
Neutral (White/Ribbed) → Ribbed wire
Live (Black/Smooth) → Smooth wire
Ground (Green/Bare) → Green terminal screw

Secure connections with wire connector caps (not included)



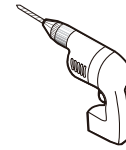
At junction box (not included)

Verify no exposed wiring before power restoration.



①

TOOLS & HARDWARE REQUIRED (Not Included with Product)



Power Drill



Mallet



TaPe Measure



Safety Goggles



1/4" & 1/8" Drill Bits



Pencil



Level

Hardware Provided

ITEM	IMAGE	NAME
1		Mounting Screws
2		Wall Anchors
3		Z-Bar
4		Tempered glass shelf
5		Positioning Ruler
6		Light-Blocking Hole Plugs

PRE-INSTALLATION NOTES

Unpacking:

1. Place cabinet on padded surface to prevent corner damage.
2. Do NOT place directly on tile/concrete.

Wall Preparation:

1. Use stud finder to avoid drilling into pipes/wires.
2. Confirm wall is non-load-bearing if stud removal is needed.

Power Verification:

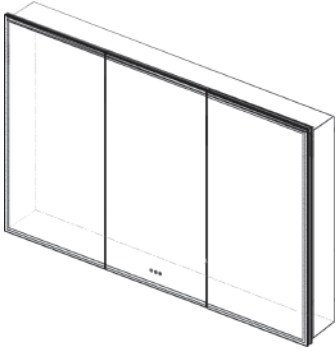
1. Ensure circuit breaker is OFF before wiring.

②

SURFACE MOUNT INSTRUCTION

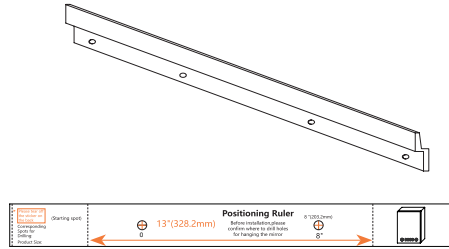
Step 1

Unpack the RGB medicine cabinet and prepare tools needed.



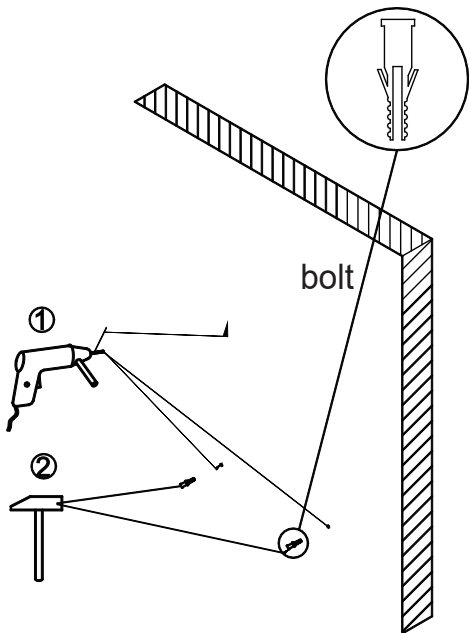
Step 2

Draw horizontal line connecting the marked location, The line should be level. Adjust to level if necessary. Glue the positioning ruler to the mark.



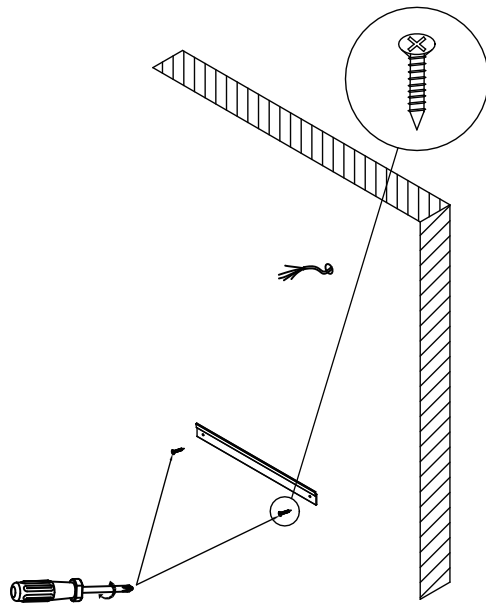
Step 3

Drill holes, and put in the plastic expansion bolt.



Step 4

Attach the bottom mounting bar hanger to the wall with mounting screws from the hardware pack.

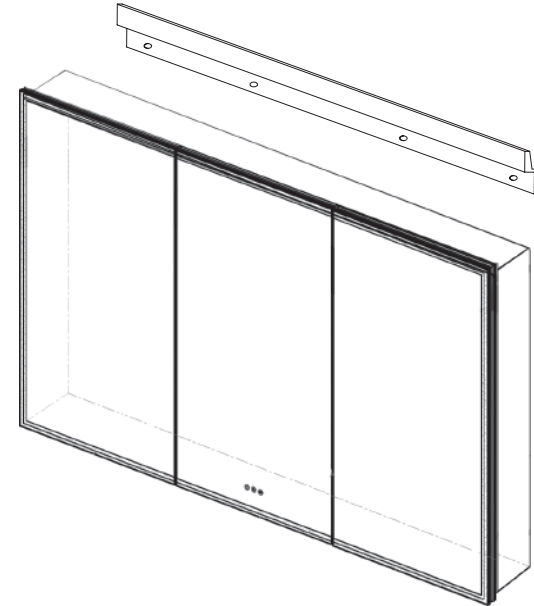


5

SURFACE MOUNT INSTRUCTION

Step 5

Put the cabinet on the top hanging strip and hold the cabinet, please make sure that the hanger must match the track from the top board of the cabinet.



WIRING DETAILS

INCOMING SUPPLY		MIRROR WIRING
SWITCHED LIVE	— L —	BLACK or LABELED - L
EARTH (GREEN/YELLOW SLEEVED COPPER)	— E —	GREEN - E
NEUTRAL	— N —	WHITE or LABELED - N



Connect hardware to power line.
Make sure the power off (Voltage: AC 110-12V, 50/60Hz)

6

SURFACE MOUNT INSTRUCTION

Step 6 Easy Shelf Installation – no door removal required.
Insert the glass shelf into the shelf clamp and adjust to suitable position.

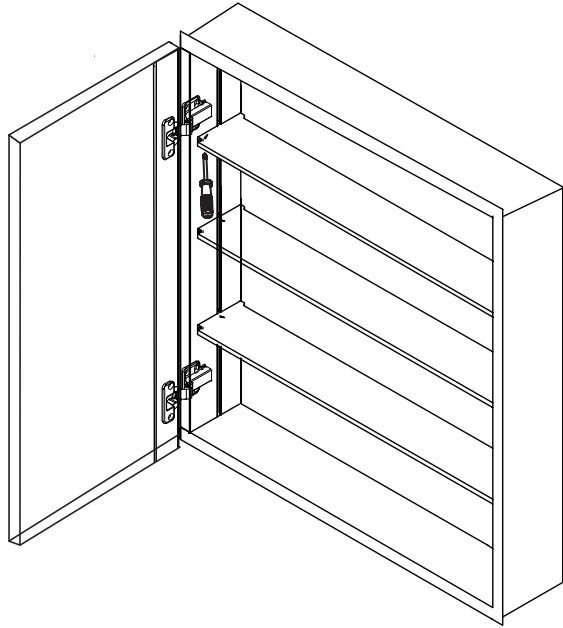


fig. 1

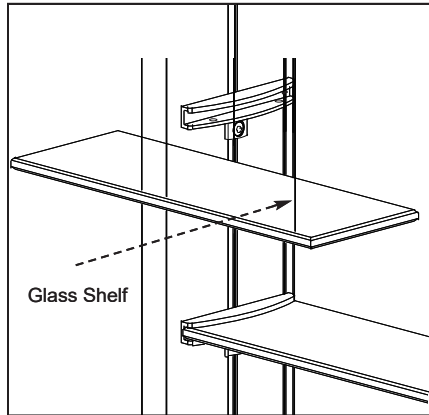
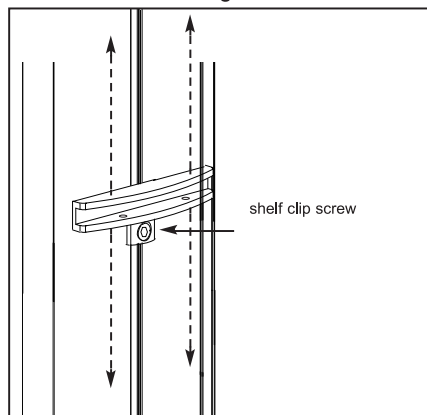


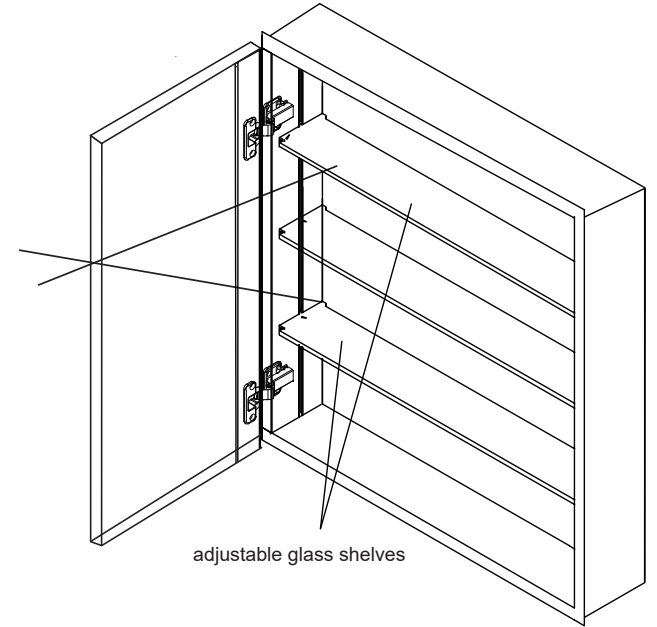
fig. 2



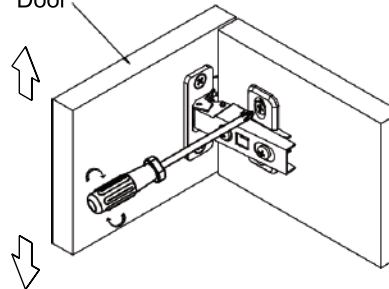
SURFACE MOUNT INSTRUCTION

Step 7

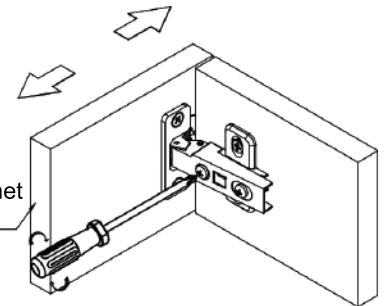
Adjustable shelves:
Unscrew and adjust
the position of shelf
directly and then
tighten the screw for
mixed.



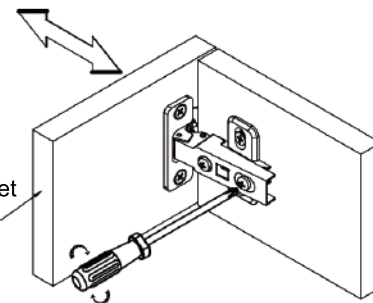
Mirror Cabinet
Door



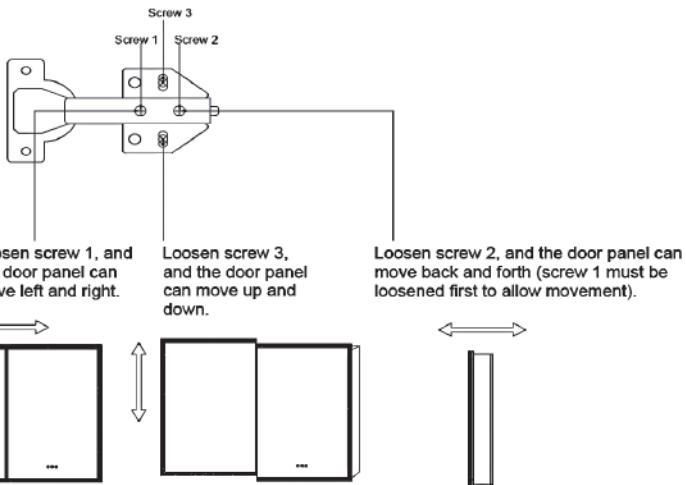
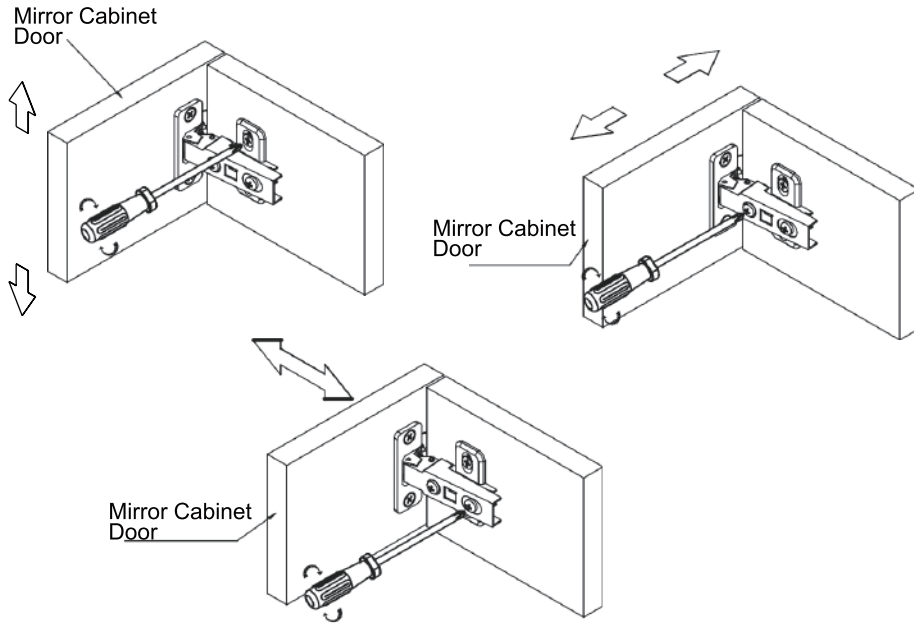
Mirror Cabinet
Door



Mirror Cabinet
Door



Hinge adjustment



RECESS MOUNT INSTRUCTIONS

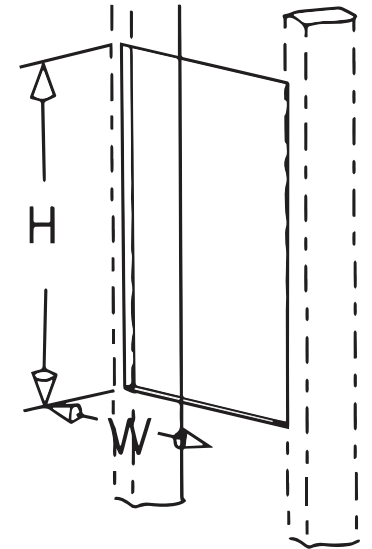
NOTE: Rough opening is not an exact measurement. The extra space allows cabinet to be inserted into the opening. Add shims to level and tighten space if necessary. Additional framing might be required.

Rough Opening Dimensions

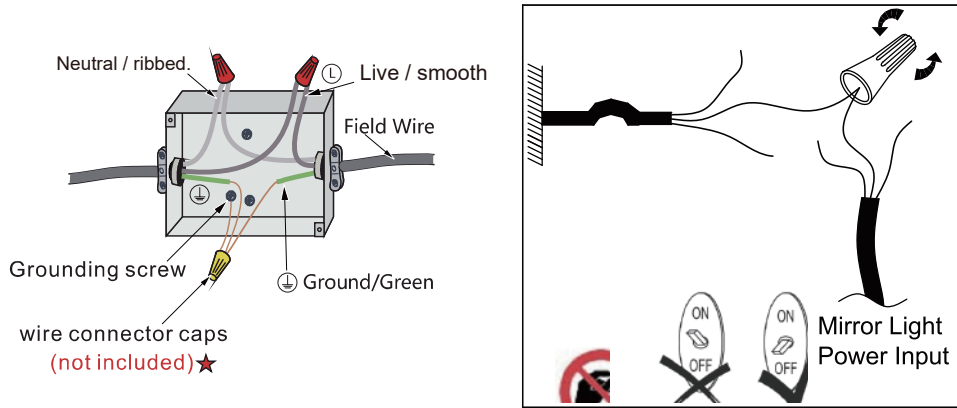
Cabinet Size	Rough opening
20 in.(W)x 28 in.(H)x 5.4 in.(D)	19.5 in.(W)x 27.5 in.(H)x 4 in.(D)
24 in.(W)x 36 in.(H)x 5.4 in.(D)	23.5 in.(W)x 35.5 in.(H)x 4 in.(D)
36 in.(W)x 36 in.(H)x 5.4 in.(D)	35.5 in.(W)x 35.5 in.(H)x 4 in.(D)
48 in.(W)x 36 in.(H)x 5.4 in.(D)	47.5 in.(W)x 35.5 in.(H)x 4 in.(D)
60 in.(W)x 36 in.(H)x 5.4 in.(D)	59.5 in.(W)x 35.5 in.(H)x 4 in.(D)

Step 1 Prepare Opening

Cut opening with 2" min. clearance above faucet.
Add framing support if needed.

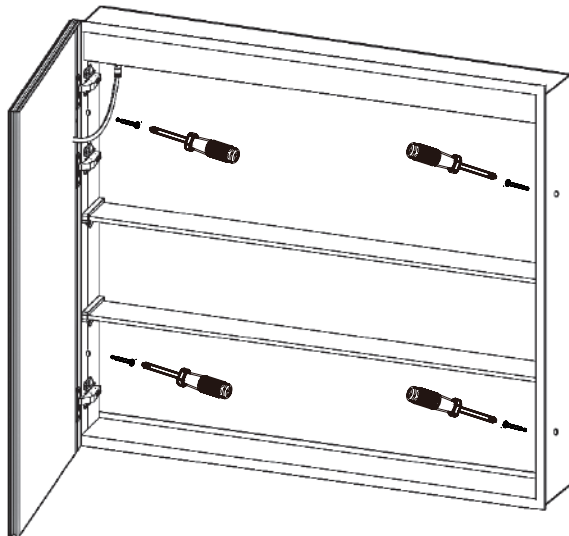


Step 2 Connect wires per Electrical Connection Guide.

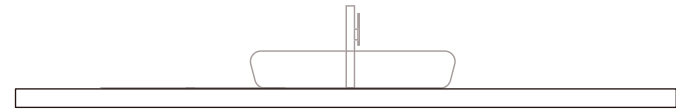
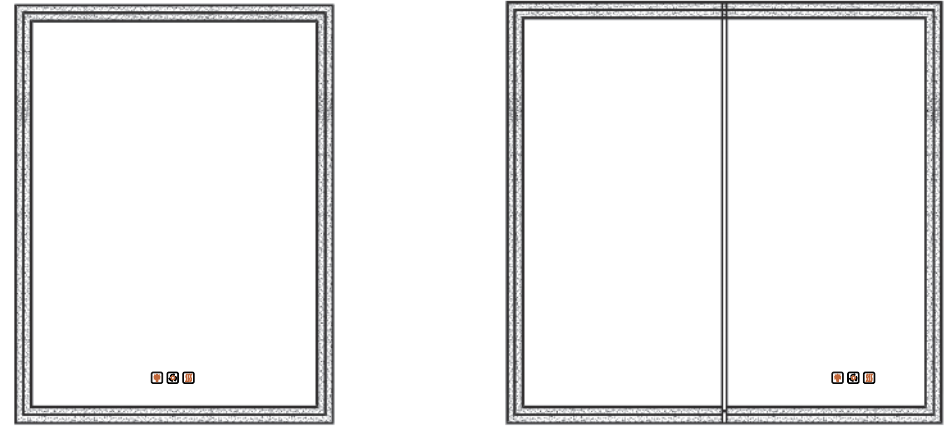


Step 3 Secure Cabinet

Insert cabinet into opening.
Ensure flange uniformly covers wall edges.
Fasten to wall studs with mounting screws.
Verify cabinet is perfectly level.



11



Short press: Toggle ON/OFF (Blue=Off, White=On).
Frosted area illuminates with flowing light when activated.



Color temperature:
Short press to adjust color temperature (3000K → 4500K → 6500K).
Dimmable: Long press to adjust brightness by 10%~100%.

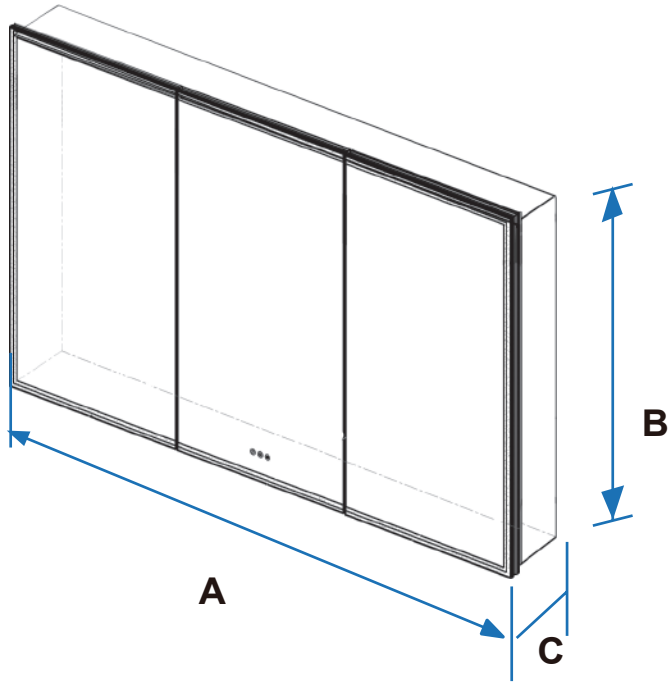
LED



Short press: Activate (White=On, auto-off after 1 hour).

12

PRODUCT SPECIFICATIONS



A - Width
B - Height
C - Depth

Unit: Inch

A	B	C
20	28	5.4
20	28	5.4
24	36	5.4
24	36	5.4
36	36	5.4
48	36	5.4
60	36	5.4

Note: Dimensions are nominal; subject to minor variations