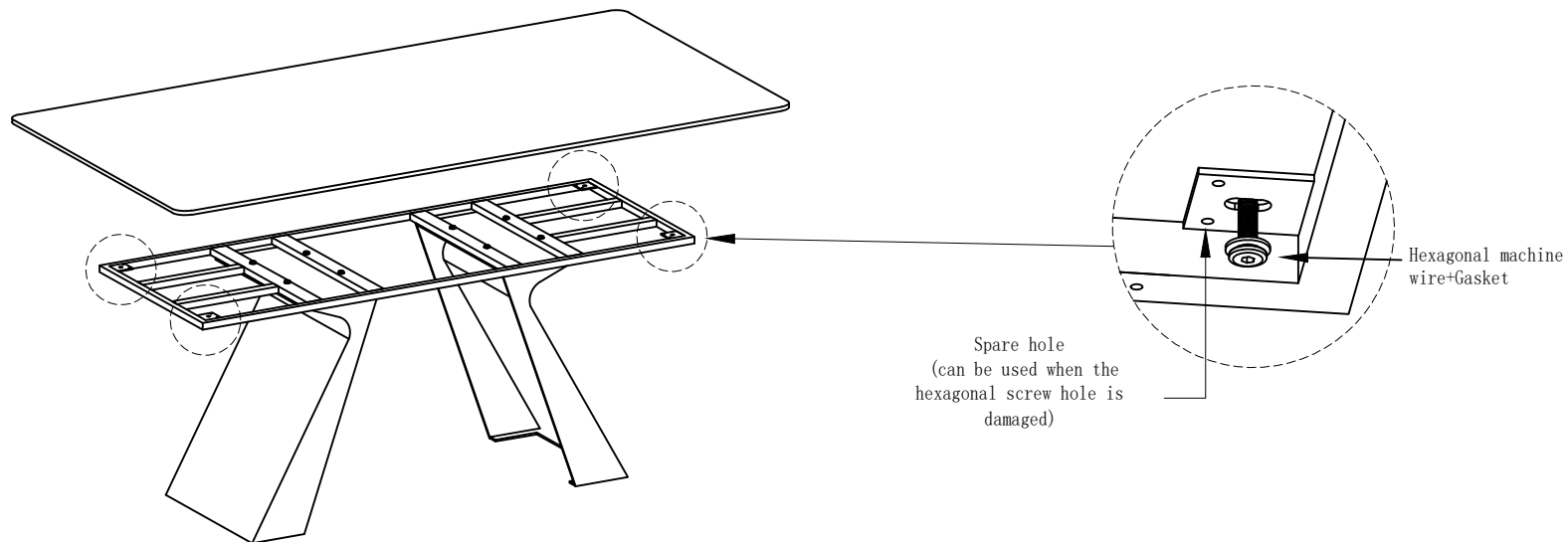
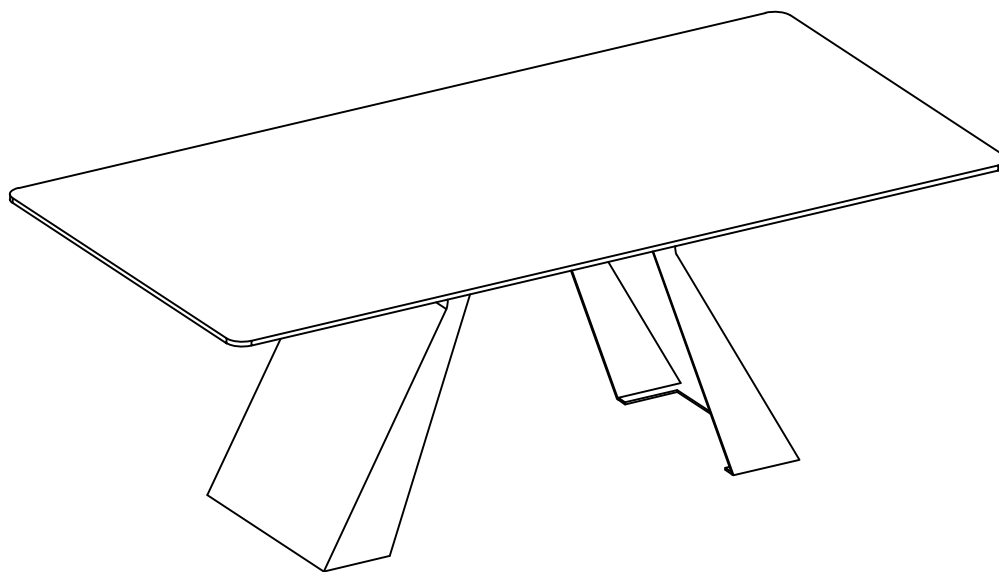


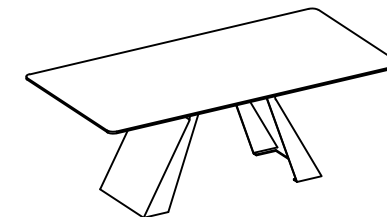
1. Place the tabletop on the table leg frame, align the frame lugs with the holes in the tabletop base plate, and then insert the hexagonal machine wire to tighten the screws with a wrench.



2. Installation complete.



Installation instruction






Installation

The number of people needed for installation: 2

- ① Please read the manual carefully before installing this product. And strictly follow the installation process
- ② Please take good care of this manual for your next installation

Parts list

Serial number	Shape	Name	Quantity
A		Hexagonal machine wire (M8*16mm)	4
B		Gasket	4
C		Self-tapping screw (spare) (M4*16mm)	8