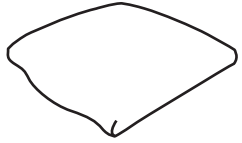
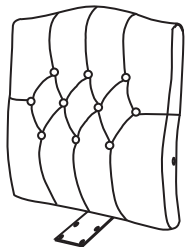
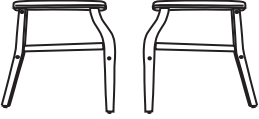
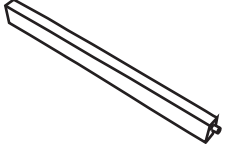
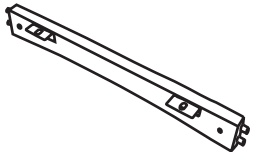





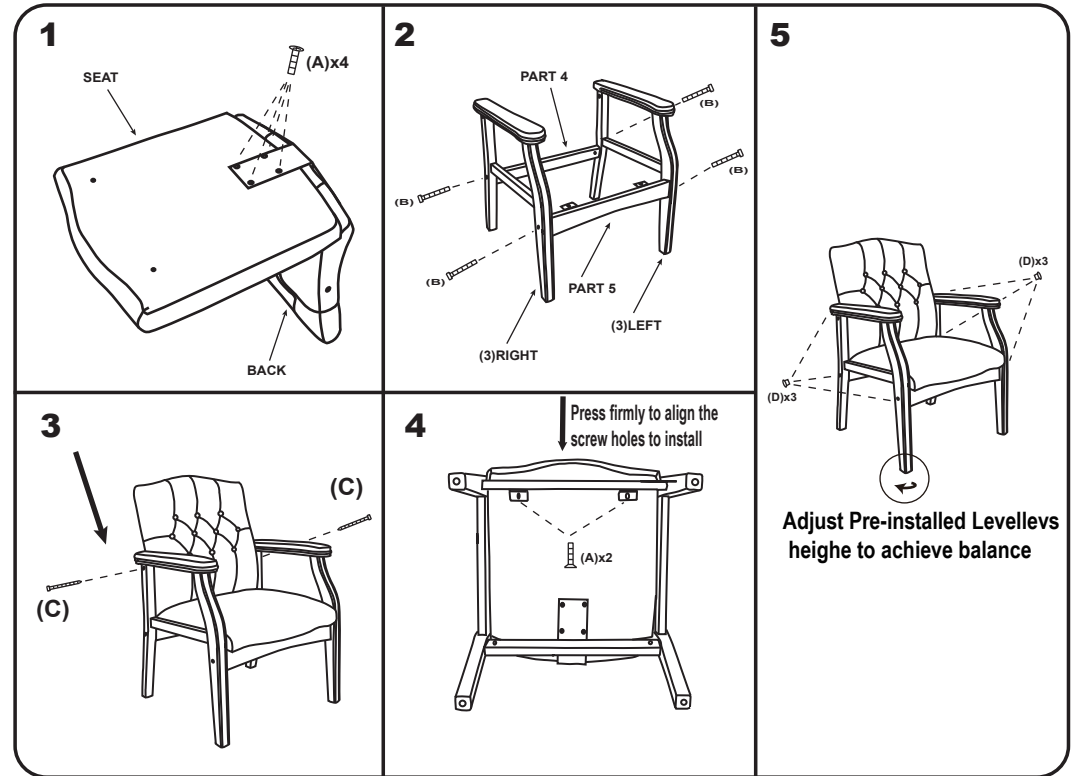


(1)x1	(2)x1	(3)x1 (L)x1 (R)
		
Seat	Back	Right & Left Frame
(4)x1	(5)x1	
		
Back Bar	Front Bar	
(A)x6		M6*22 BACK BAR OR SEAT SCREW
(B)x4		M6*35 FRAME SCREW
(C)x2		M6*50 ARM SCREW
(D)x6		WOOD CAP
(E)x1		ALLEN KEY

Insert and loosely tighten all screws. When assembly is completed, fully tighten all screws before using. This chair is only intended for sitting. Any other use will void the warranty.



NOTE: Before insert all 6 (D) wood caps to screw holes:
1. Lightly tighten the screws indicate on step 2 & step 3.
2. Tighten ALL 6 screws on step 5, then insert ALL 6 (D) wood caps to finish.

