

ASSEMBLY INSTRUCTIONS

NEWLINE HIGH GLOSS SIDEBOARD LARGE 2 DOORS & 3 DRAWERS














THANK YOU FOR PURCHASING THIS GOOD QUALITY PRODUCT
 BE SURE TO CHECK ALL PACKING MATERIAL FOR SMALL PARTS WHICH HAVE COME LOOSE
 INSIDE THE CARTON DURING SHIPMENT.
 IDENTIFY AND COUNT ALL PARTS AND COMPARE WITH THE PARTS LIST BELOW.
 PLACE ALL GLASS FURNITURE PARTS ON A CLEAN AND FLAT SURFACE,
 SUCH AS CARPET OR RUG TO PREVENT FROM BEING SCRATCHED.

IMPORTANT















Please inspect all items carefully before assembling
 If for any reason you need to return this item,
 you must return it in its original packaging.

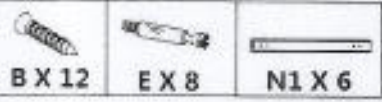
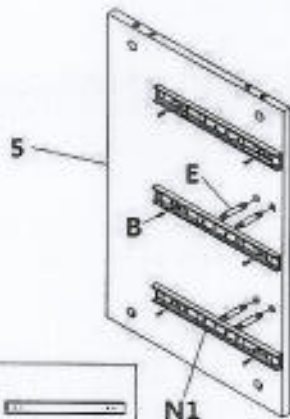
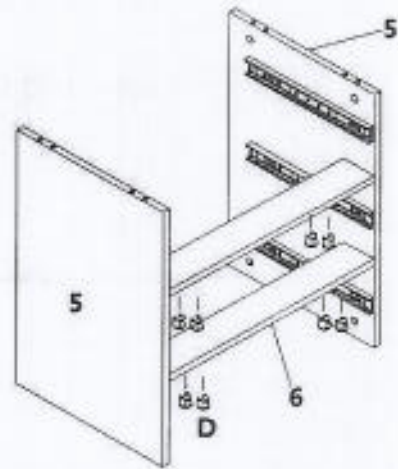
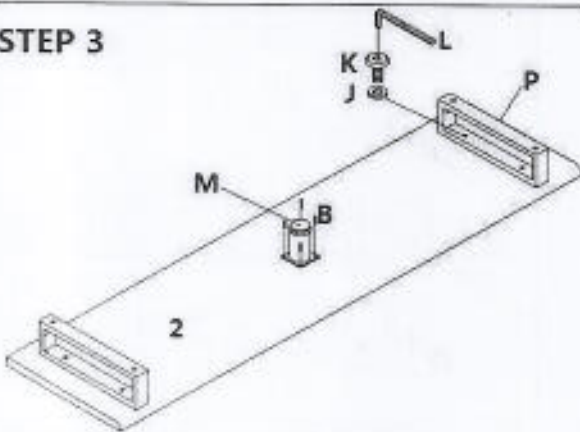
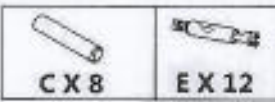
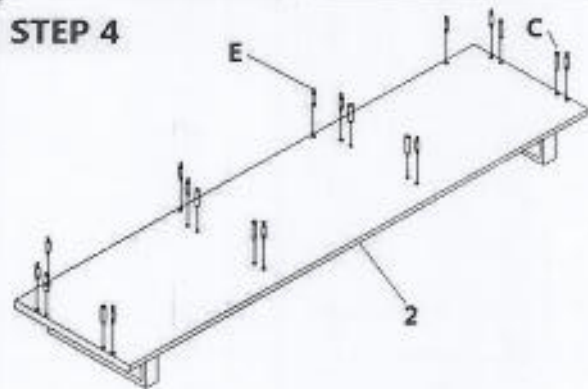
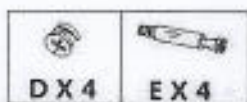
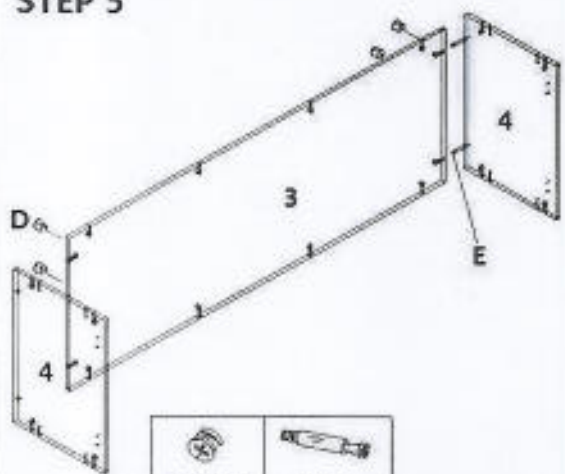
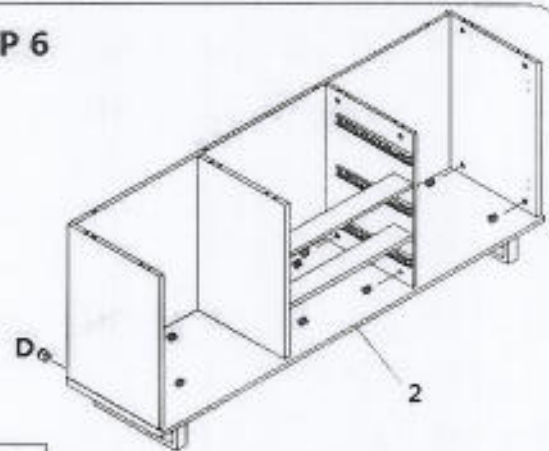
ASSEMBLED ITEMS CANNOT BE RETURNED.

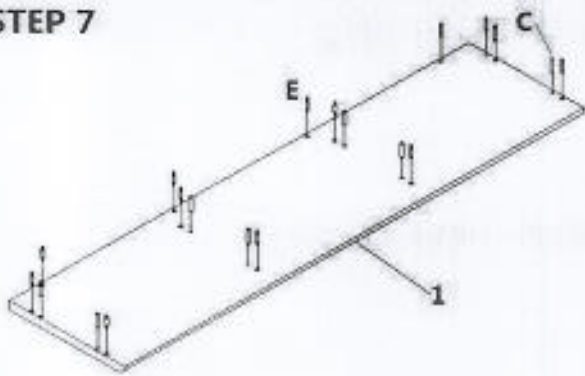
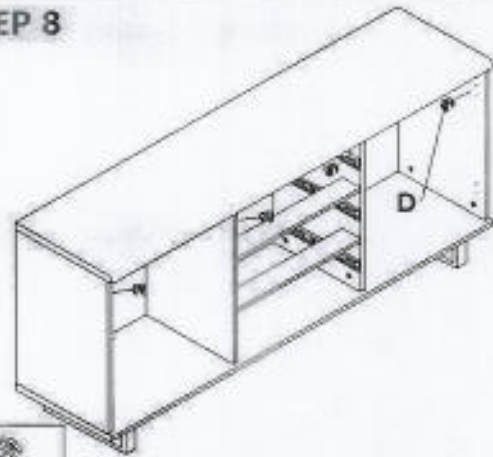
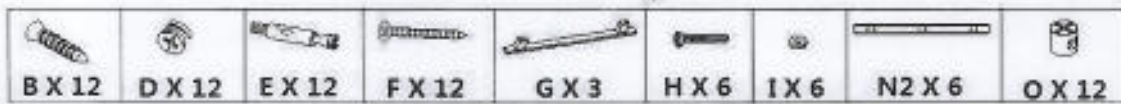
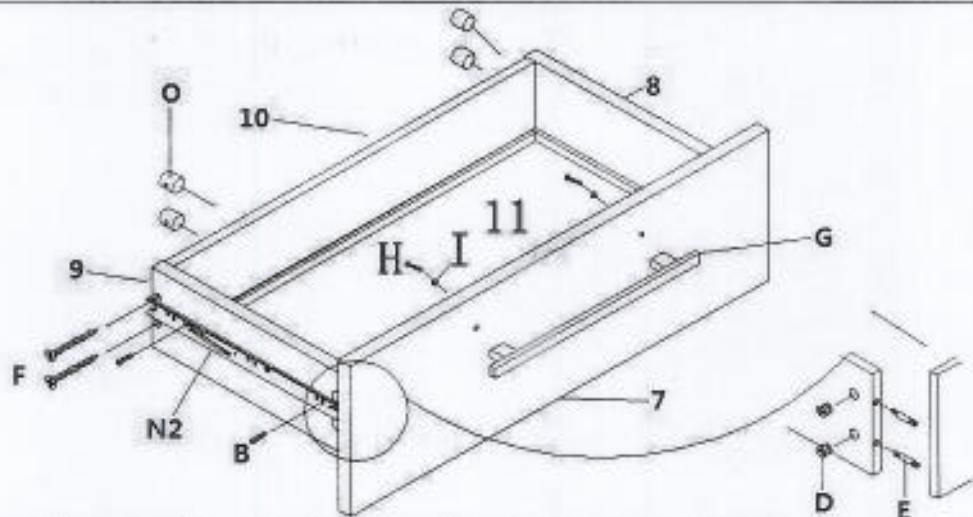
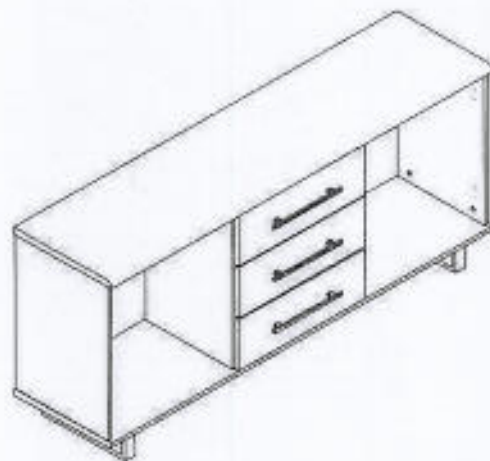
LIST OF HARDWARE

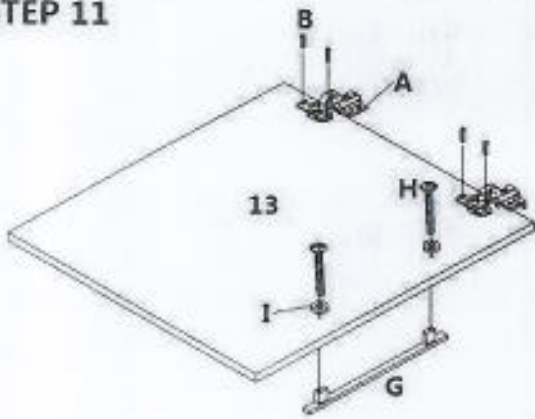
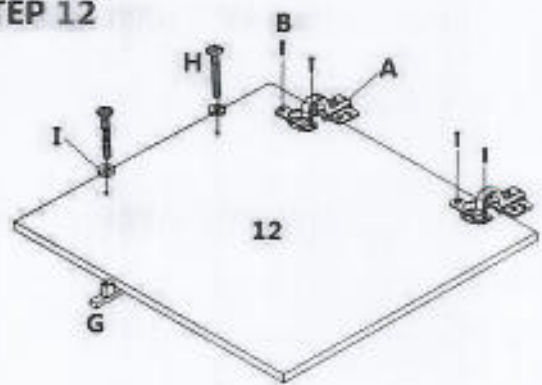
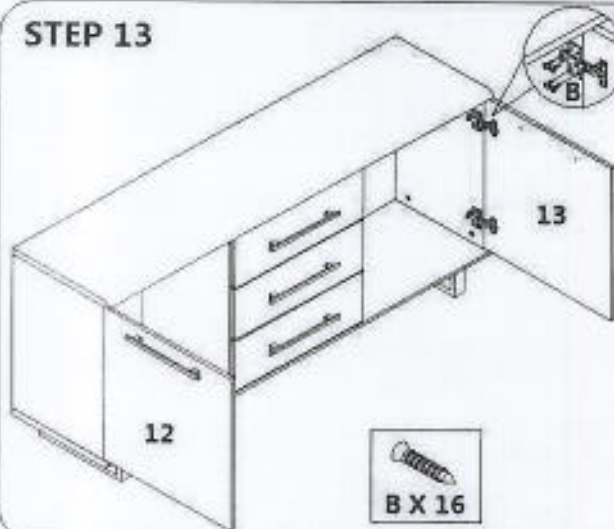
NO	DESCRIPTION	QTY	NO	DESCRIPTION	QTY	NO	DESCRIPTION	QTY	NO	DESCRIPTION	QTY
A		4 PCS	E		48 PCS	I	⊗ M4*9	10 PCS	M		1PC
B	 3.5*14	52 PCS	F	 4*40	12 PCS	J	⊗ M8*18	4 PCS	N	 N1 N2	6 SETS
C	 8*30	16 PCS	G		5 PCS	K	 M8*30	4 PCS	O		12 PCS
D		48 PCS	H	 M4*20	10 PCS	L		1PC			

LIST OF PARTS

NO	DESCRIPTION	QTY	NO	DESCRIPTION	QTY	NO	DESCRIPTION	QTY	NO	DESCRIPTION	QTY
1		1PC	5		2 PCS	9		3 PCS	13		1PC
2		1PC	6		2 PCS	10		3 PCS	14		2 PCS
3		1PC	7		3 PCS	11		3 PCS			
4		2 PCS	8		3 PCS	12		1PC			

STEP 1**STEP 2****STEP 3****STEP 4****STEP 5****STEP 6**

STEP 7**STEP 8****STEP 9****STEP 10**

STEP 11**STEP 12****STEP 13**

Tighten for up and loose for down



Tighten the second screw for forward and loose for backward



Tighten the first screw for left and loose for right

**STEP 14**