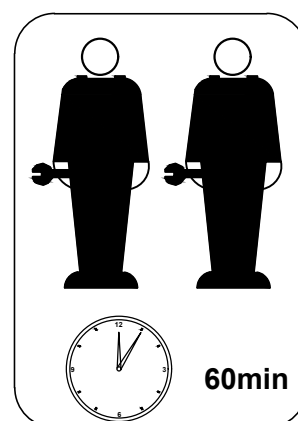
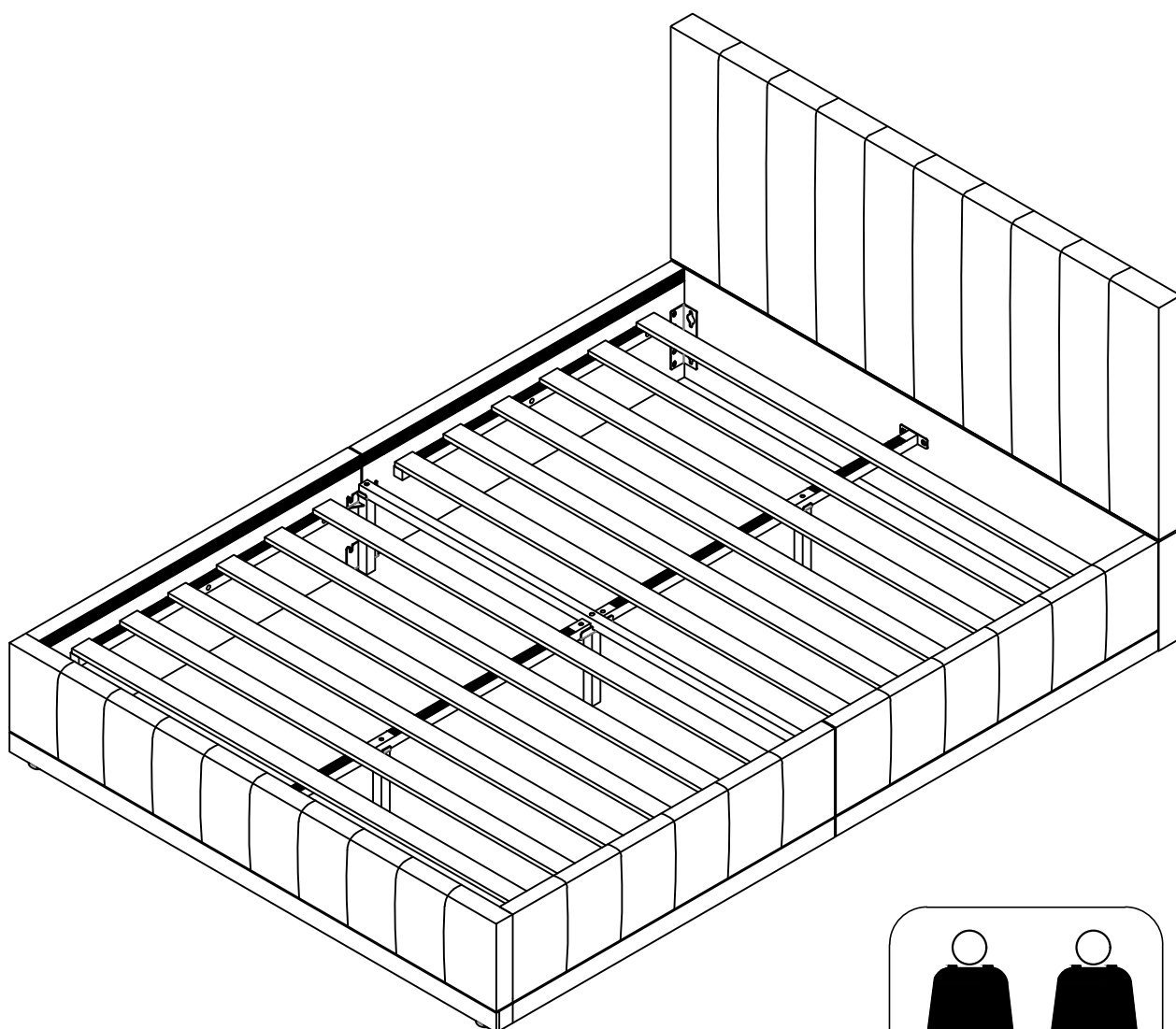


ASSEMBLY INSTRUCTIONS

**Item Number N604P376656
N604P376657**

This set comes in 2 boxes. If you do not receive a full 2 boxes, please contact our customer service.

Upholstered bed-135*190CM



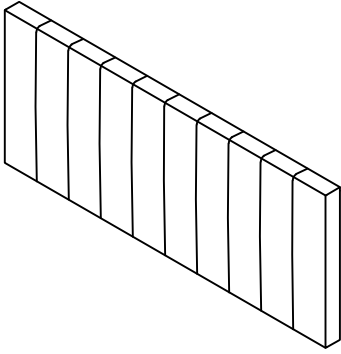
INSTRUCTIONS

IMPORTANT-READ CAREFULLY-RETAIN FOR FUTURE REFERENCE

- a) WARNING** -Children can become trapped between the bed and the wall, the adjoining pieces of furniture (e.g. cupboards) and the Ikea. To avoid risk of serious injury the distance between the safety barrier and the adjoining structure shall not exceed 75 mm or shall be more than 230 mm.
- b) WARNING**-Do not use the bed if any structural part is broken or missing; Replacement parts are between requested from the manufacturer or the store.
- c) WARNING**-Do not climb or wiggle on any non-designated structures.
- d)** it is imperative to always follow the installation instructions and manufacturer's use.
- e)** The recommended size of the mattress to be used with the bed is 135cmx190cm,maximum thickness mattress:25cm.
- f)** It is necessary to ventilate the room in order to maintain a low level moisture and prevent mold growth in the bed and its periphery.
- g)** Joining devices should always be tightened properly and regularly verified. Tighten if necessary.

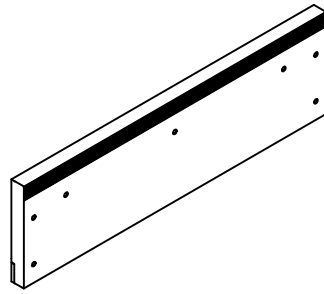
Part list N604P376656

A



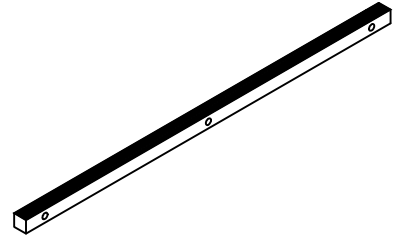
Headboard-1PC

D



Facing customer
Side Rail-4PCS

F



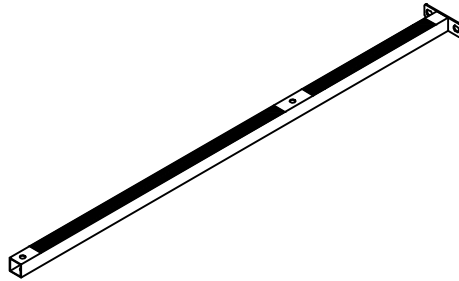
Prefabricated timber-4PCS

H



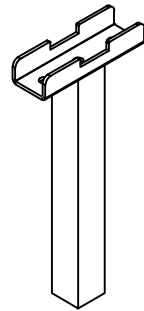
Leg Headboard-2PCS

I



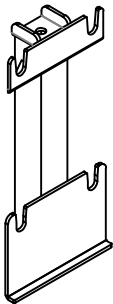
Middle Rail-2PCS

J



Middle Support Leg-1PC

K



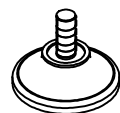
Side Support Leg-2PCS

L



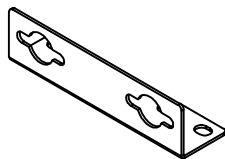
Support Leg-2PCS

M



Legs-2PCS

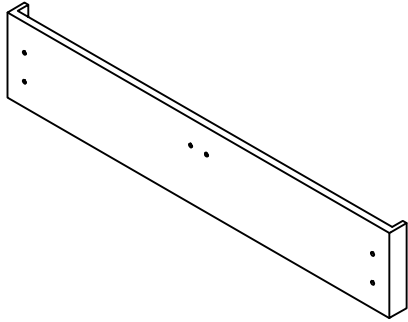
Q



Indices "L"-4PCS

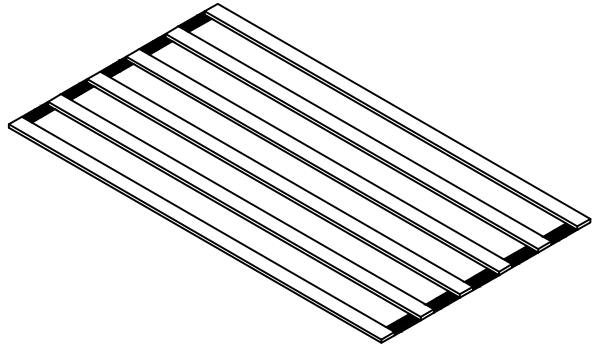
Part list N604P376657

B



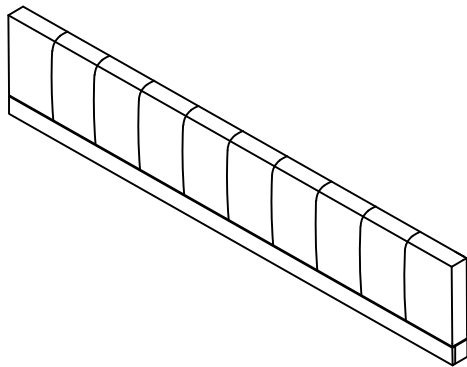
Lower section of
the Headboard-1PC

C



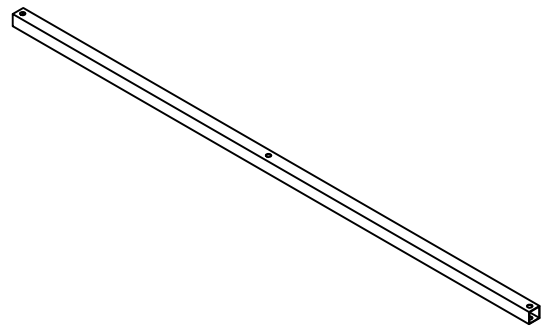
Slat-2PCS

E



Footboard-1PC

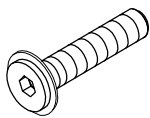
G



Bar Rail-1PC

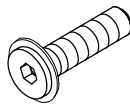
Hardware list N604P376656

X1



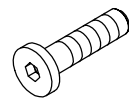
M8*50mm
13PCS

X2



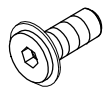
M8*45mm
8PCS

X3



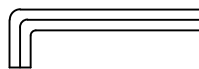
M8*40mm
6PCS

X4



M8*25mm
28PCS

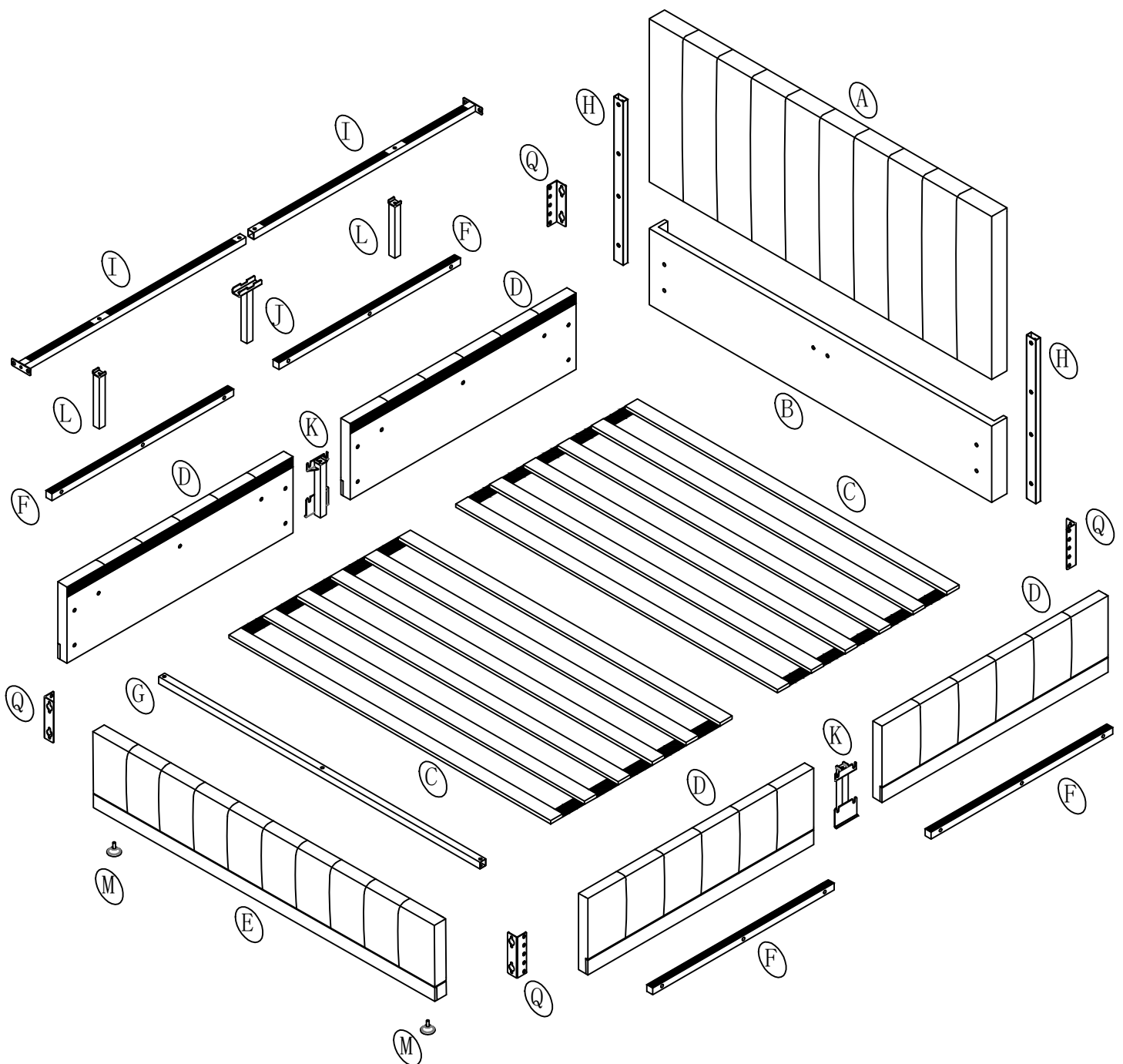
Z



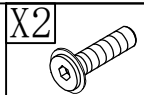
M5
1PC

Detail View

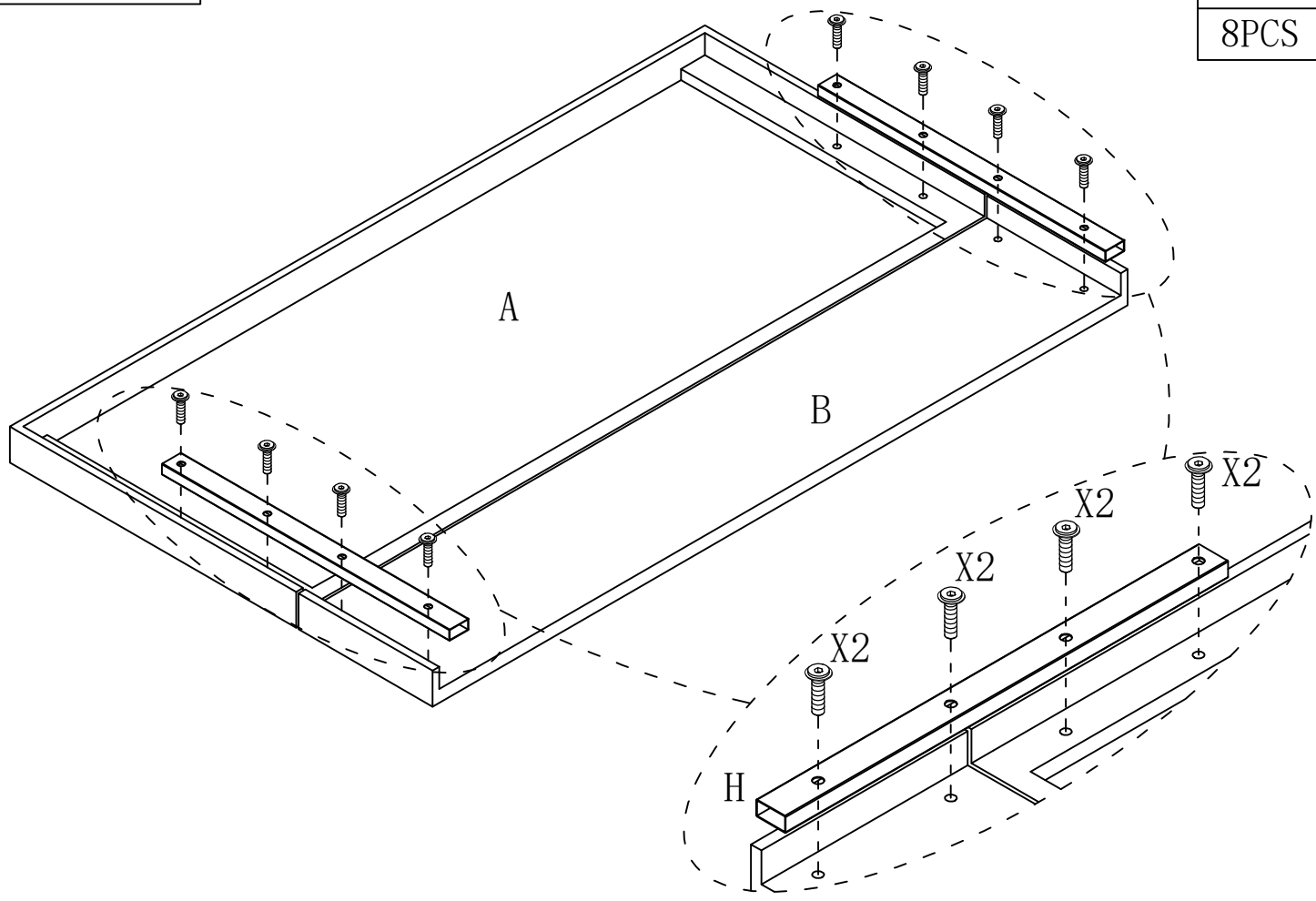
NOTE: Please do not completely tighten all the hardware until the entire assembly is complete!



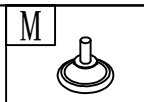
step1



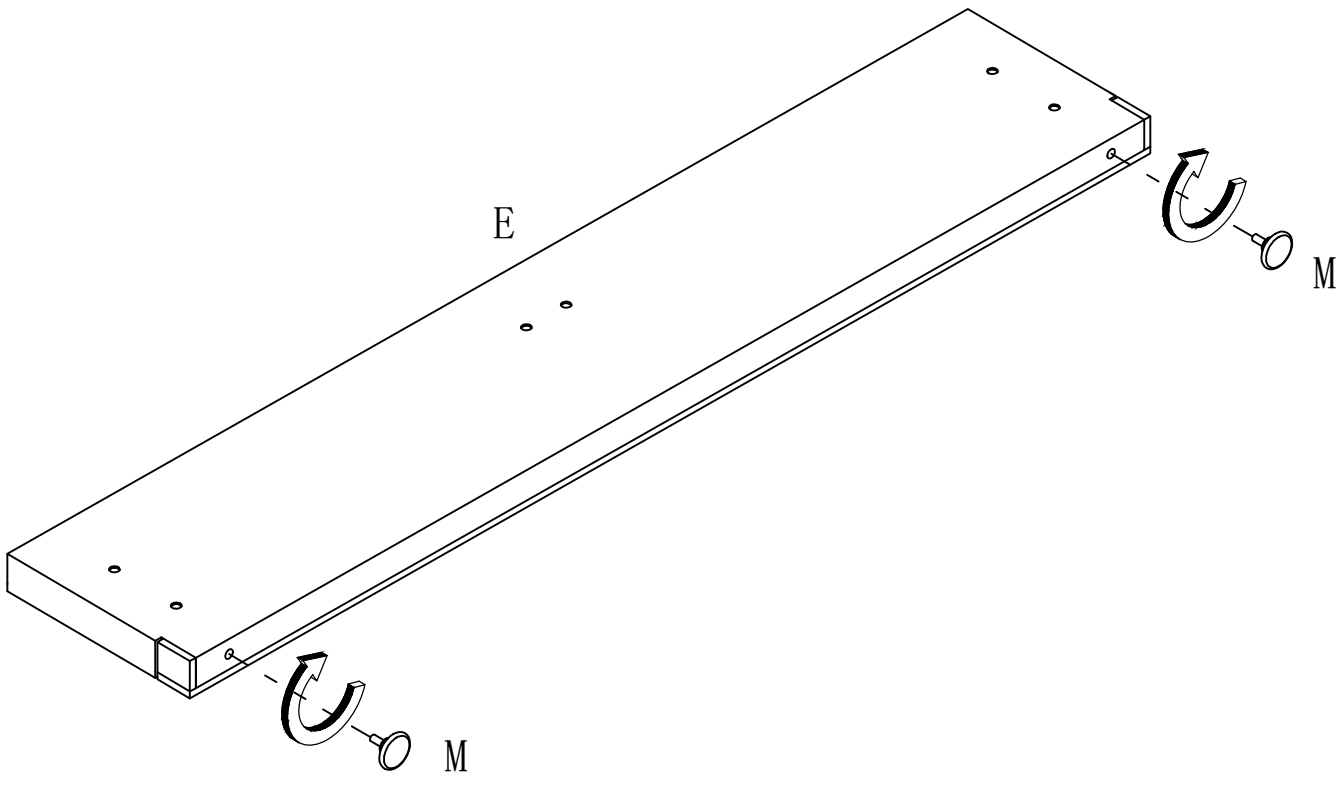
8PCS



step2

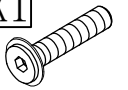


2PCS

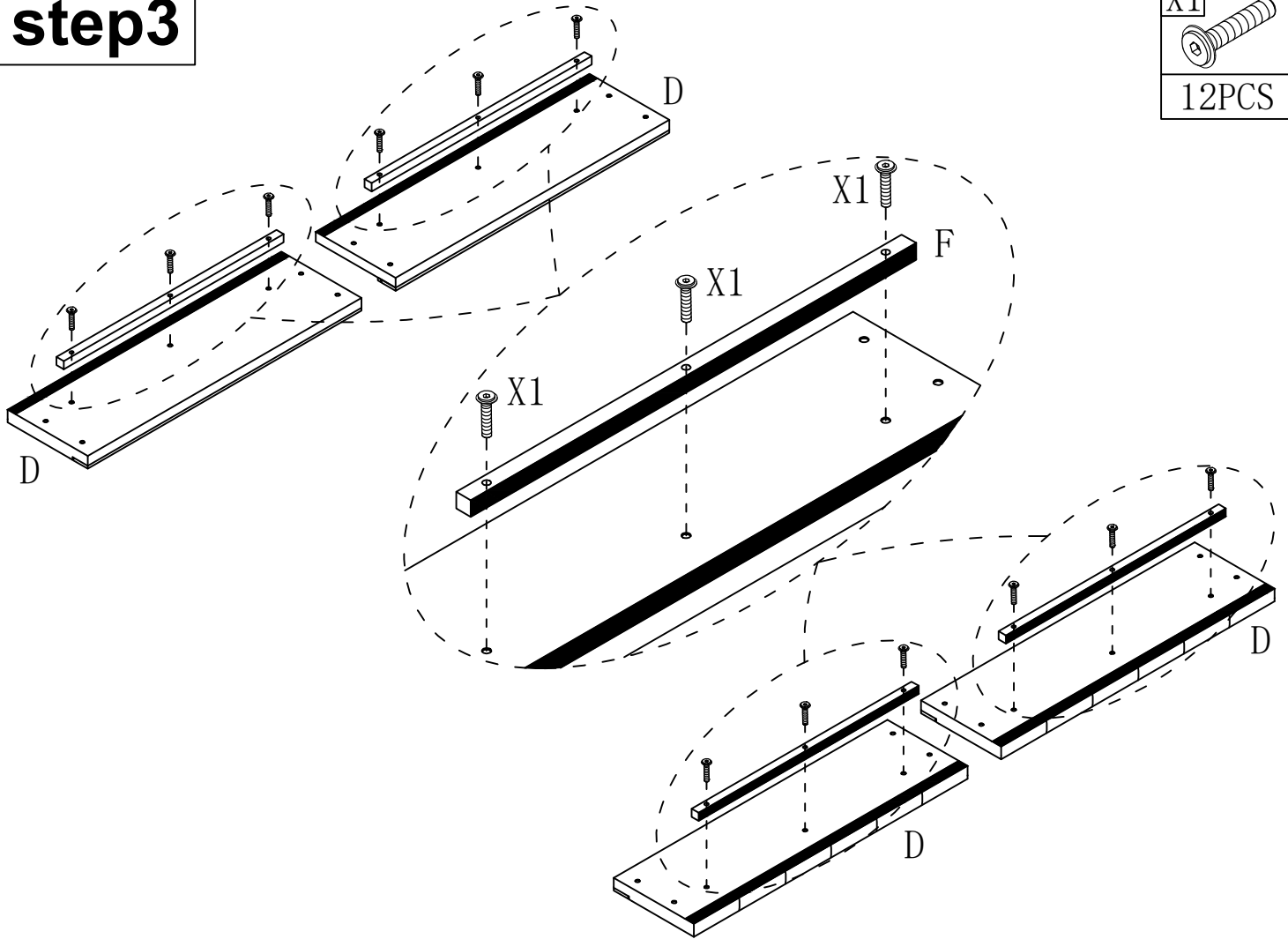


step3

X1

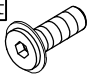


12PCS

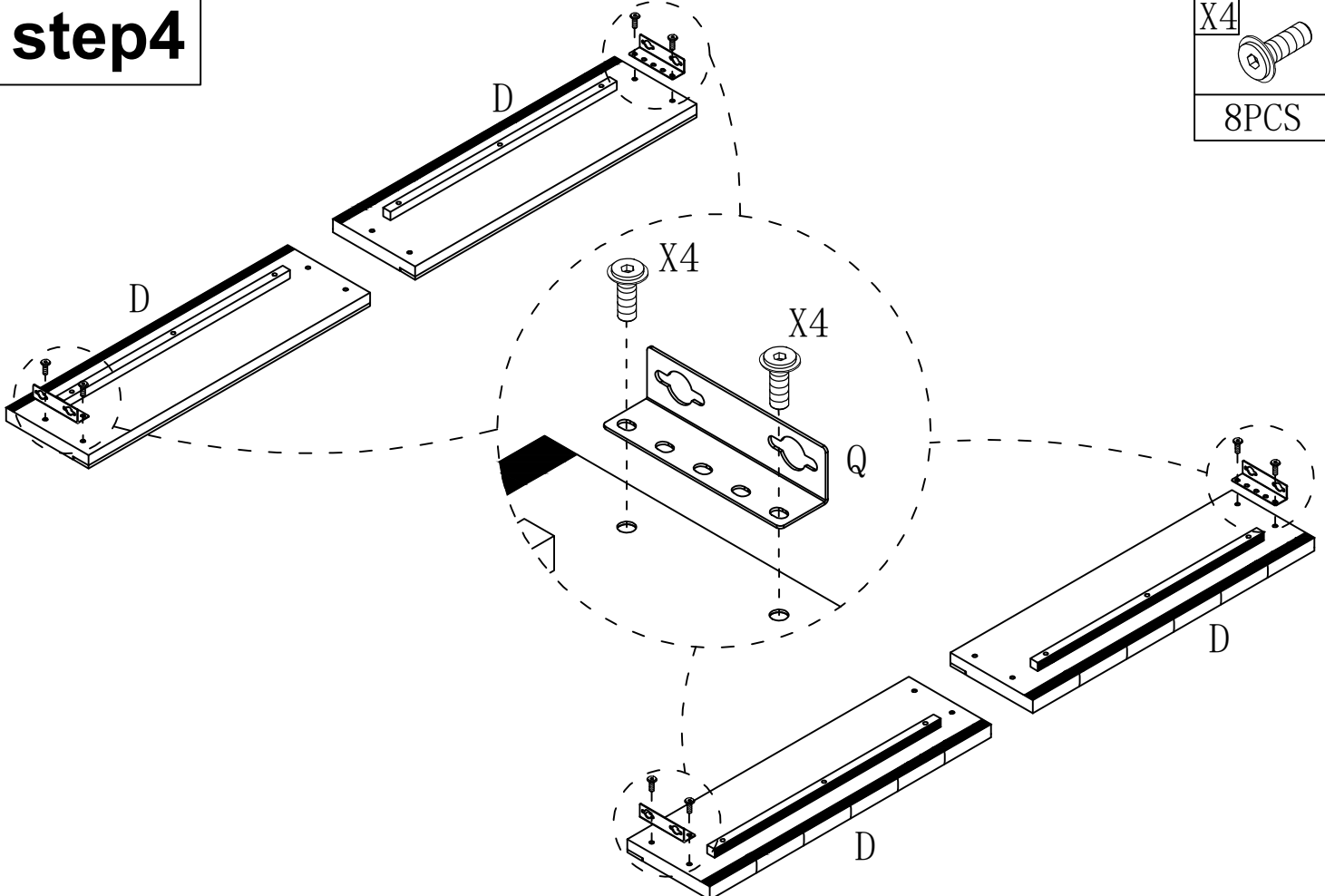


step4

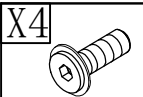
X4



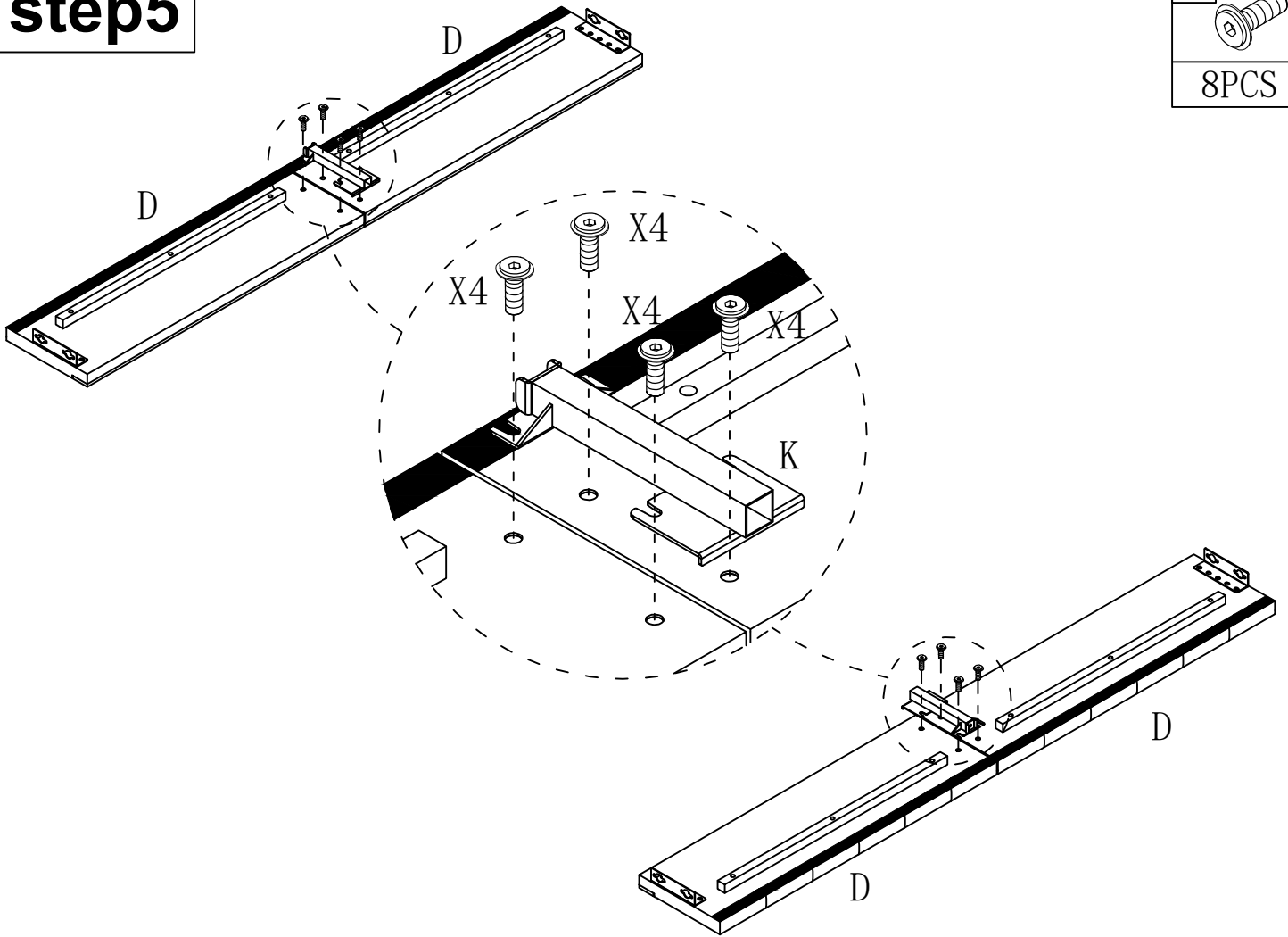
8PCS



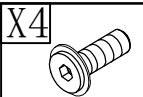
step5



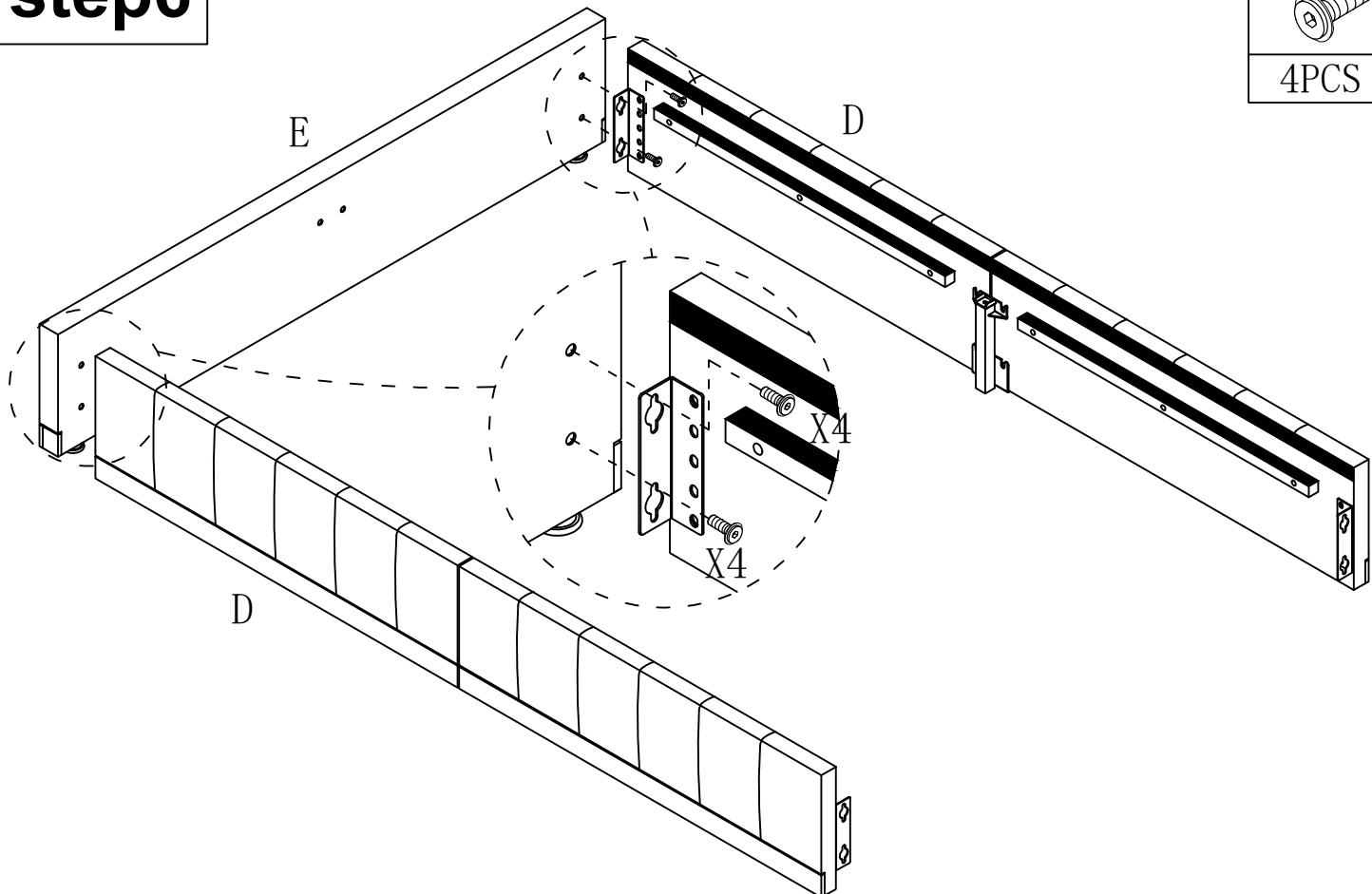
8PCS



step6

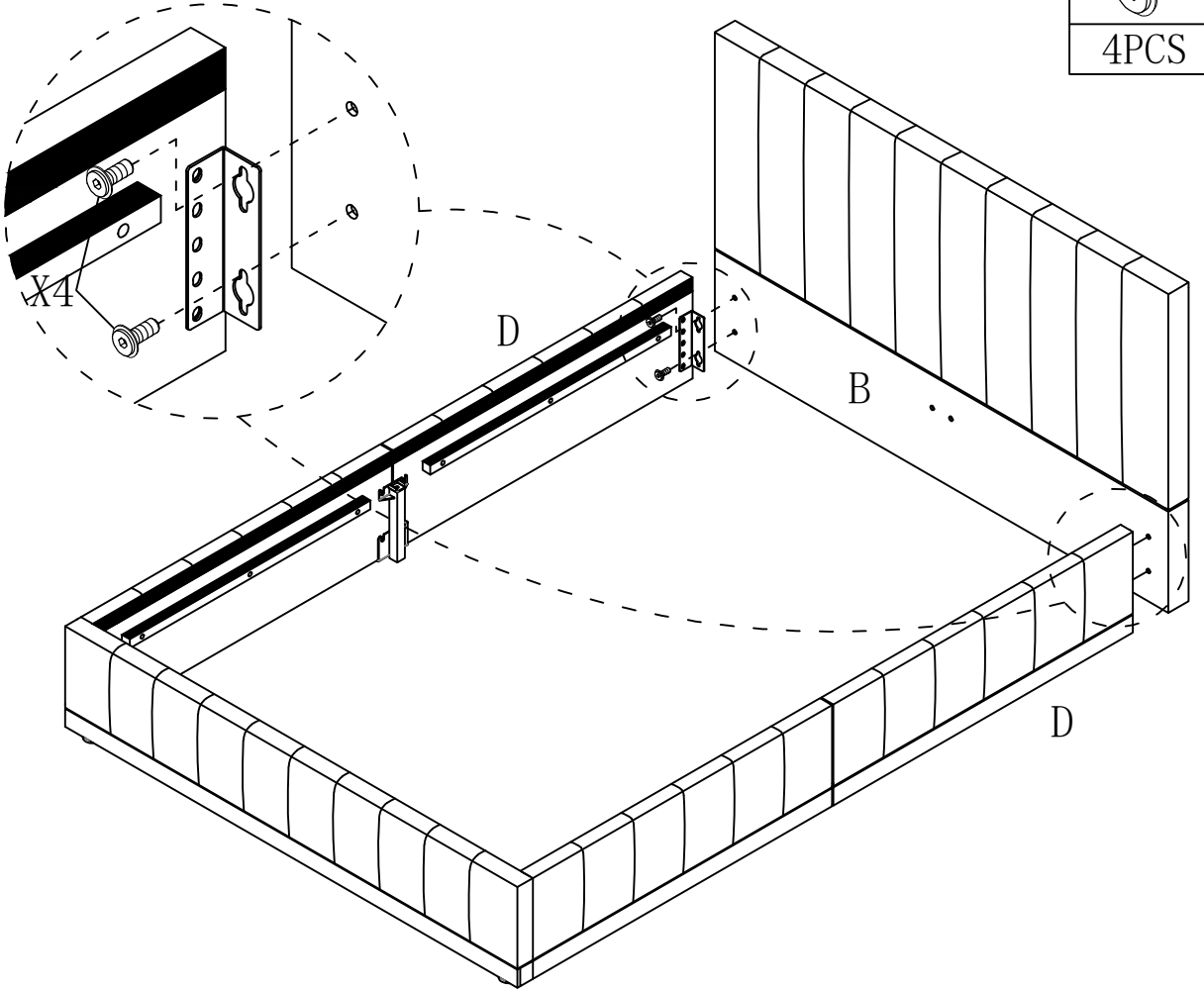


4PCS



step7

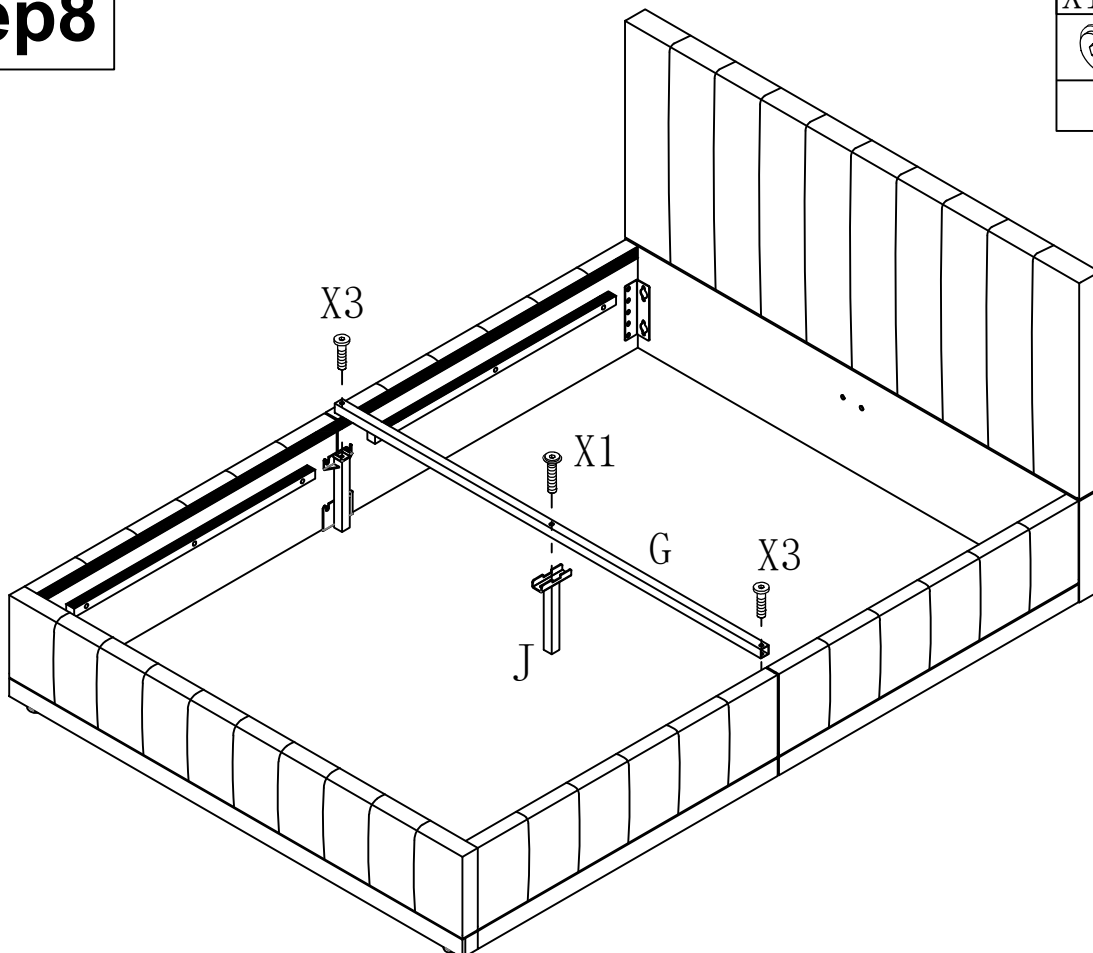
X4
4PCS



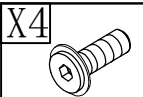
step8

X1
1PC

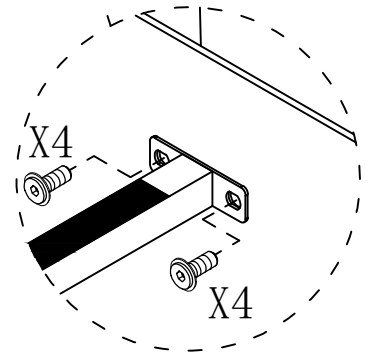
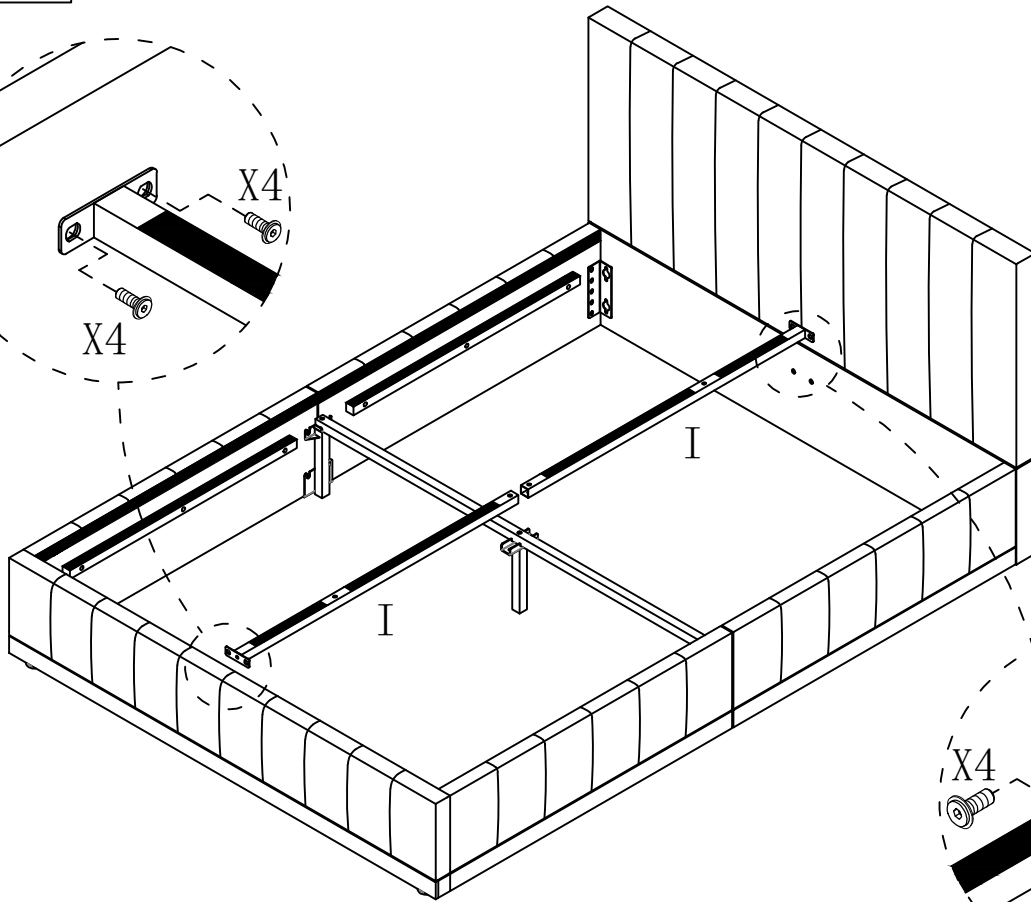
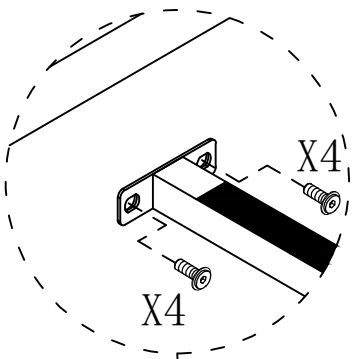
X3
2PCS



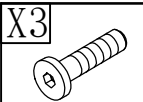
step9



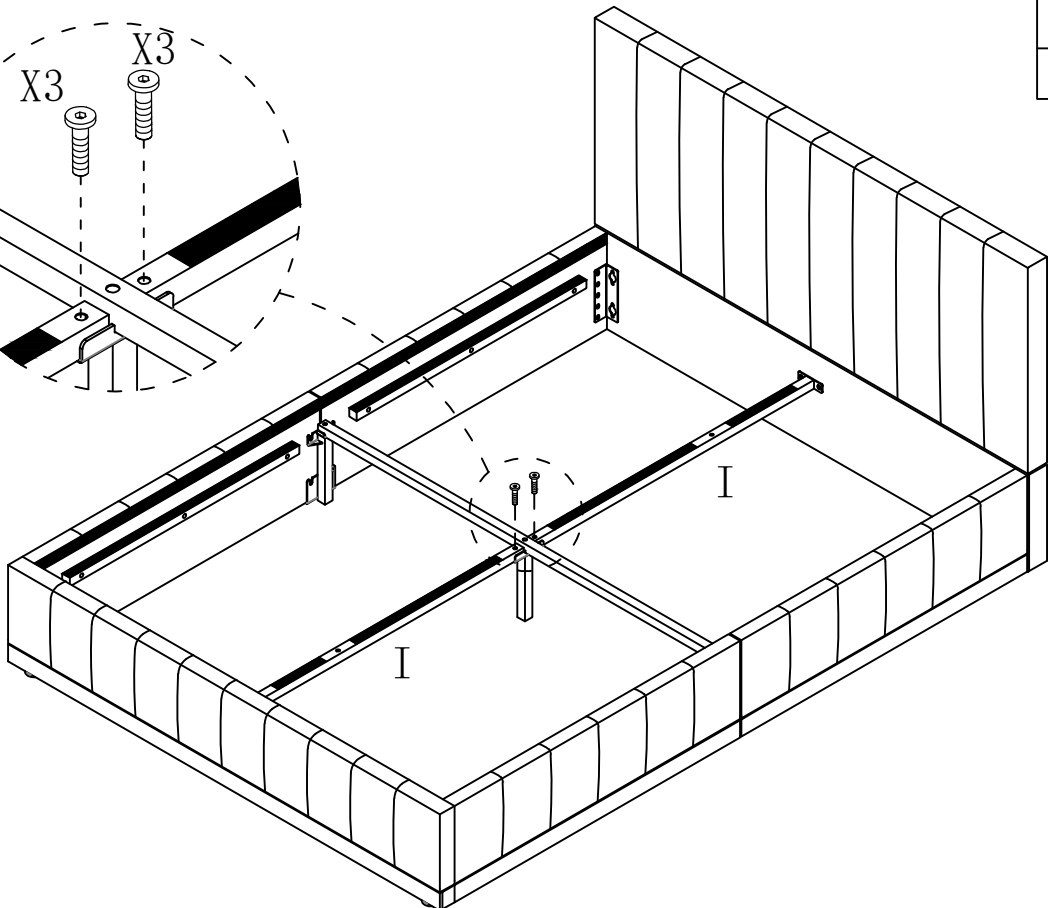
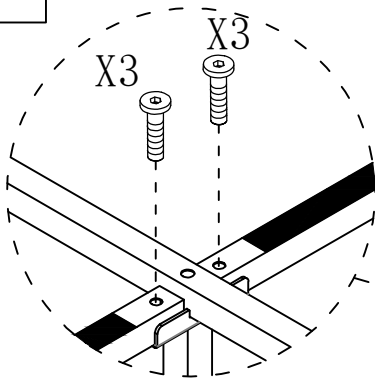
4PCS



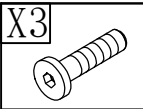
step10



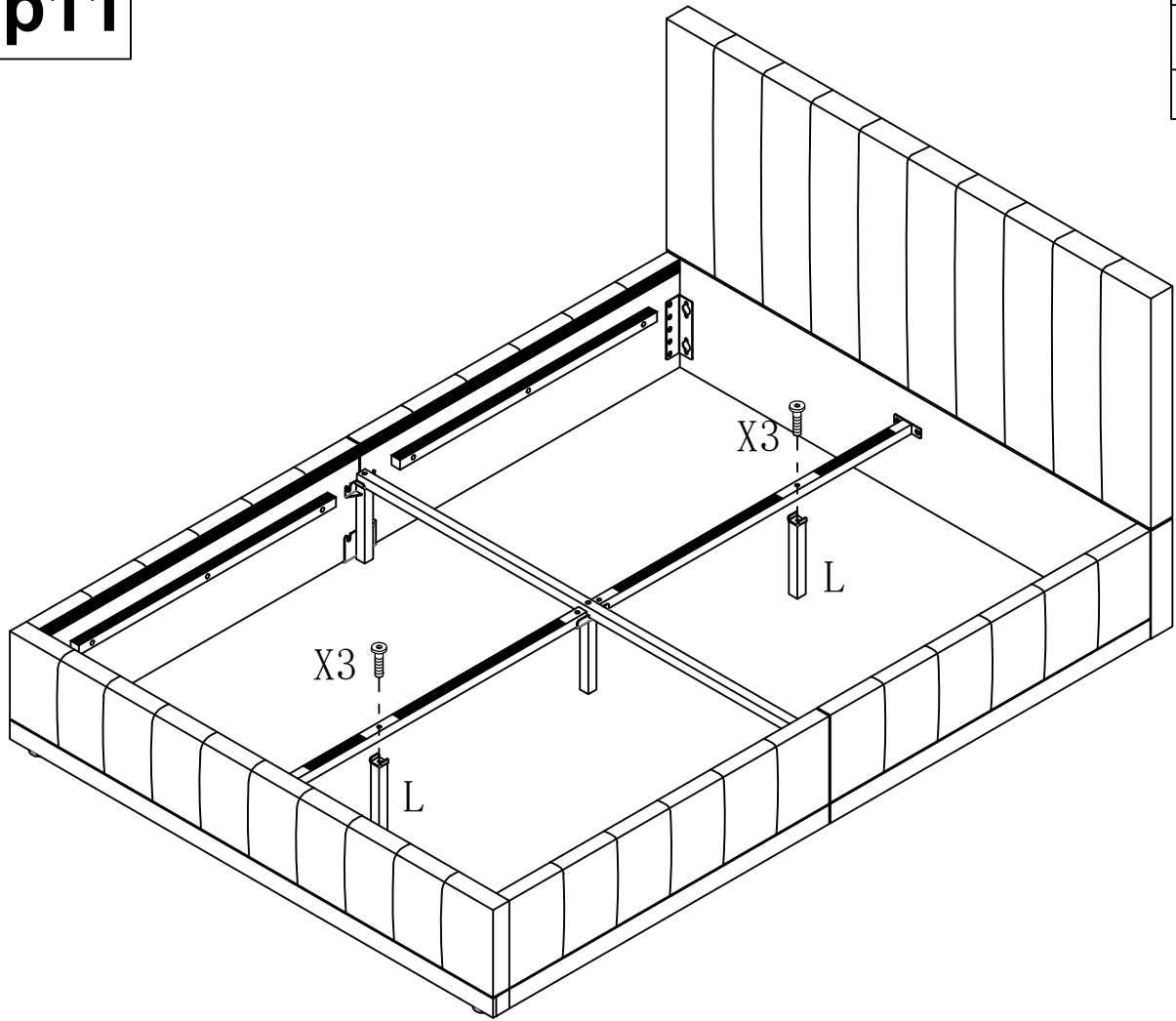
2PCS



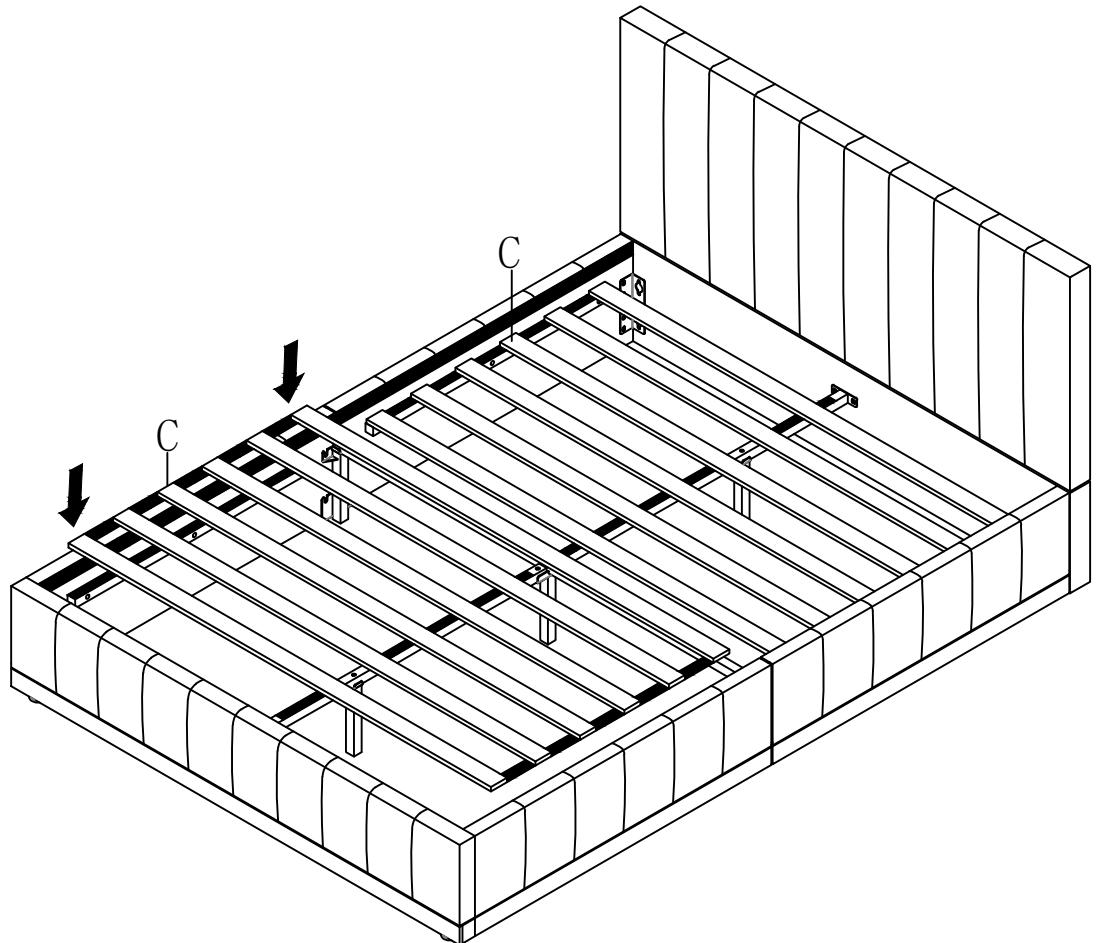
step11



2PCS



step12



IMPORTANT NOTICE

OTTOMAN OPERATING INSTRUCTIONS

Once your bed frame is completely assembled, the slat unit will not operate correctly unless a mattress is placed on the slat frame. Position the mattress on the slat frame whilst it is in the closed position.

PLEASE NOTE It -takes a lot of force to make the initial movement of the ottoman. This is a design feature of the product so that it does not fall shut -the nearer to being closed the ottoman is, the easier it is to move. When the ottoman is almost shut, it will close completely under its own weight.

When lowering the slat unit for the first time, take care to make sure it does not rub unevenly on the inside face of the side rails. If it does, the bed has been assembled slightly out of square. This can be rectified by moving the foot end of the bed slightly to the left or right whilst leaving the head end stationary.

PISTONS

The pistons used in the construction of this product are extremely strong and cannot be operated by hand when taken off the ottoman. All pistons are tested for correct pressure and operation before being attached to the slat unit. Initially it might appear that the pistons are very stiff when opening and closing the ottoman.

THIS IS PERFECTLY NORMAL

When fully assembled and the mattress is in position, please raise and lower the ottoman 4/5 times to ensure the gas piston are fully lubricated.

