

TABLE OF CONTENTS

01 Important Safety Instructions

01 Tools Needed

02 Parts List

04 Assembly

17 Warranty Information

IMPORTANT SAFETY INSTRUCTIONS

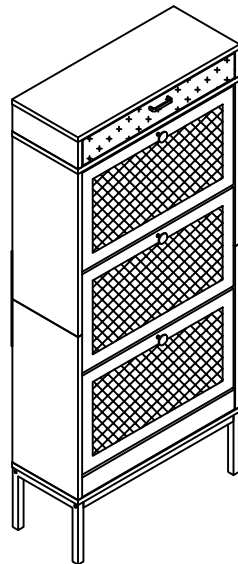
- Check if all the parts are complete before installation.
- Read through the instructions before installing the cabinet.
- Keep the small parts away from children to avoid the risk of swallowing.
- Screw the cabinet to the wall to avoid the risk of falling down.

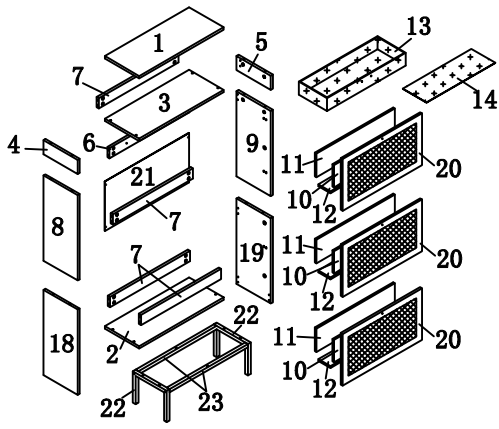
TOOLS NEEDED

Screws Driver -1PC





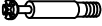

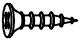


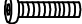
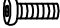








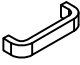


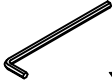

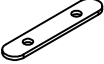
(Not included)



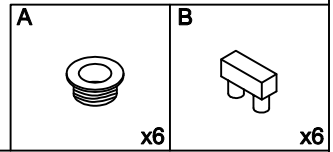
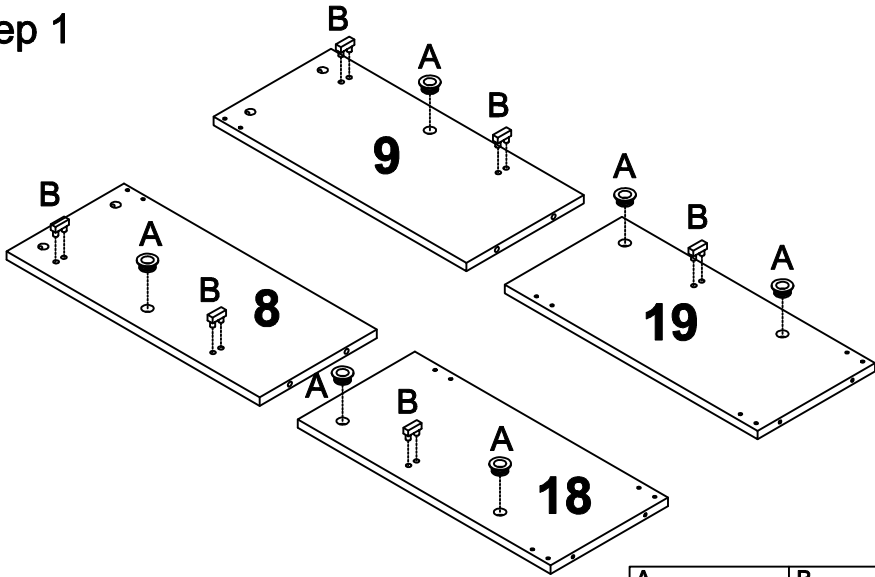


Packing List

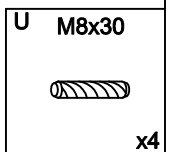
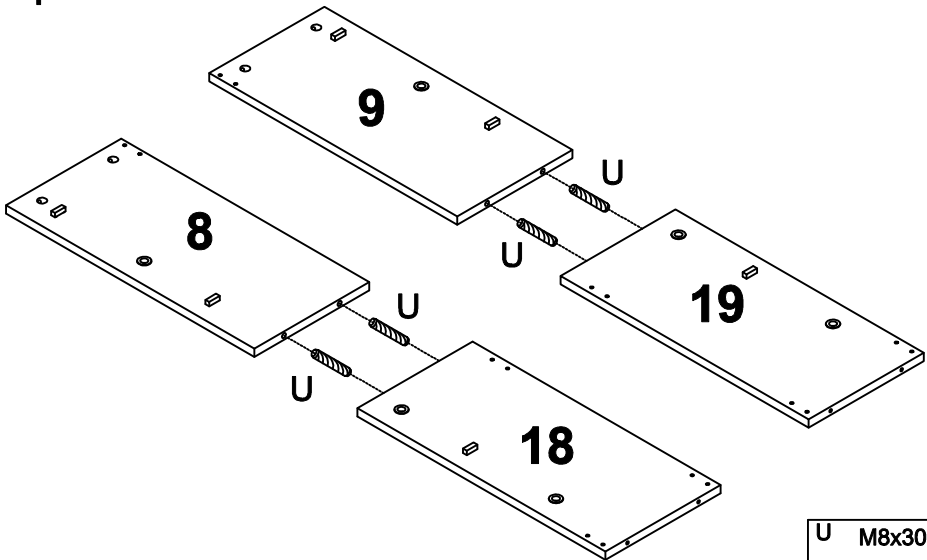
1 x1	2 x1	3 x1	4 x1
5 x1	6 x1	7 x4	8 x1
9 x1	10 x3	11 x3	12 x3
13 x1	14 x1	18 x1	19 x1
20 x3	21 x1	22 x2	23 x2

A  x6	B  x6	C  x28	D  x28	E M3.5x14  x55
F  x1	G M7x50  x8	H M6x45  x4	I M6x30  x6	J  x4
K  x3	L  x3	M  x3	N  x3	O  x6
P  x2	Q M3.5x40  x2	R  x1	S   x2	T  x1
U M8x30  x4	V  x4			

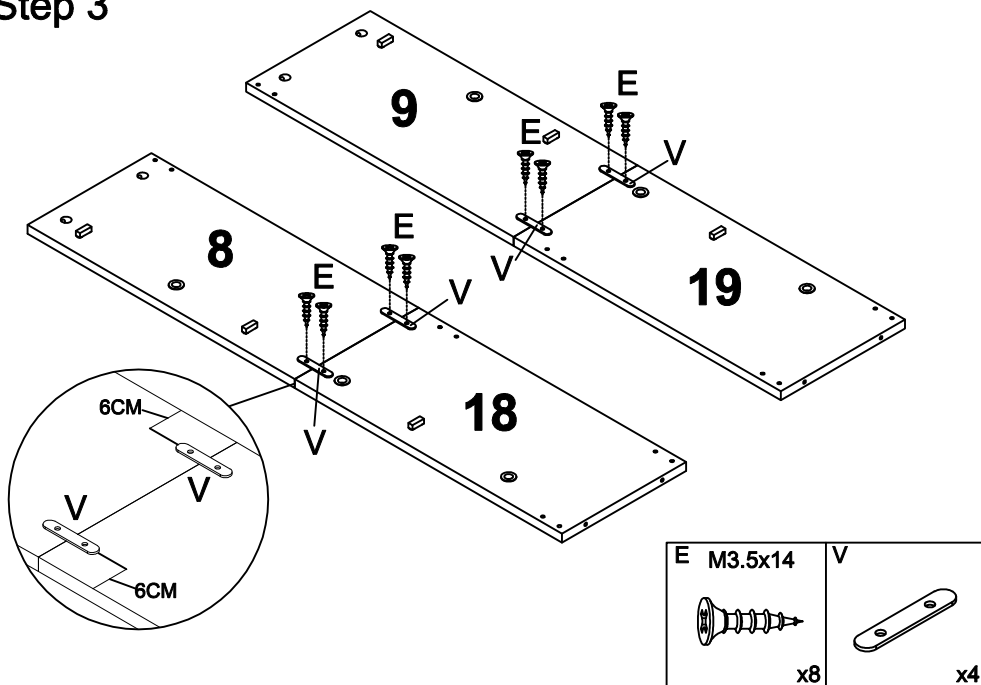
Step 1



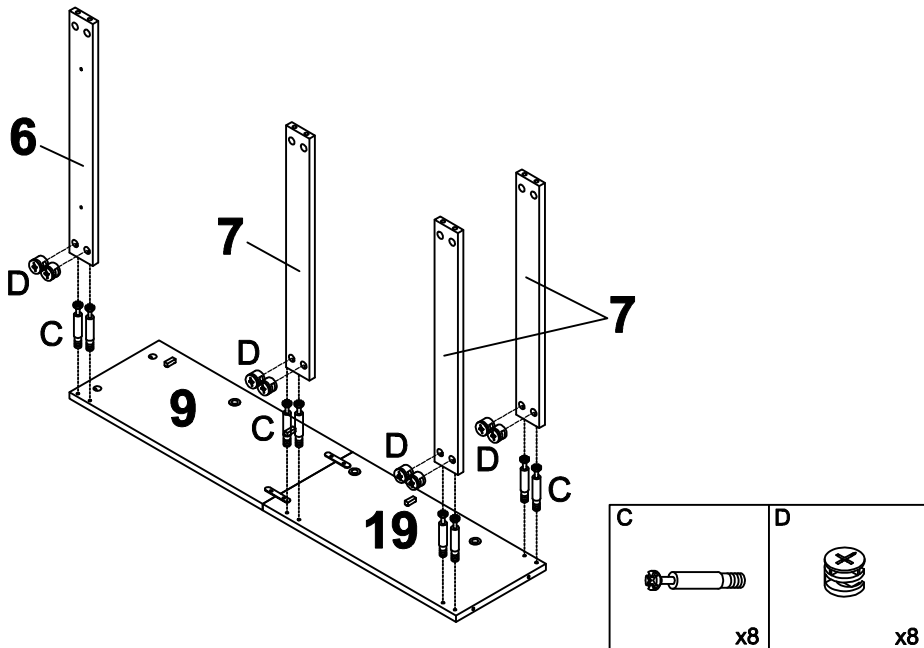
Step 2



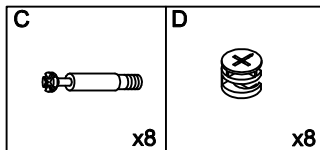
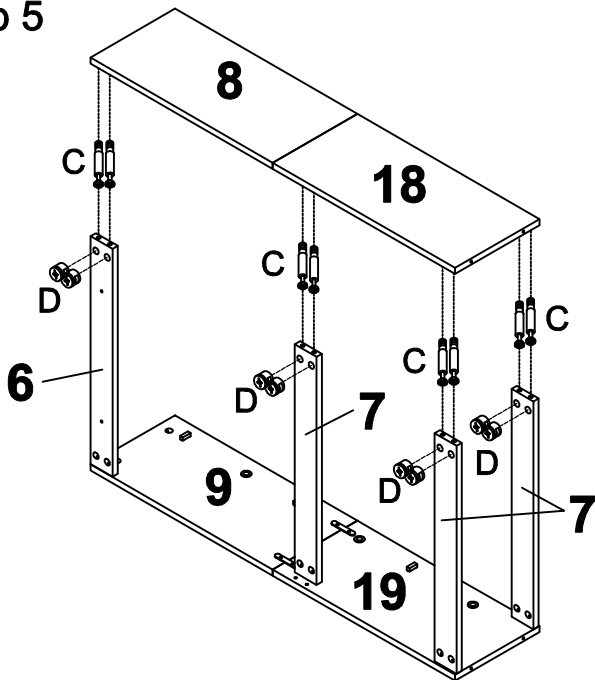
Step 3



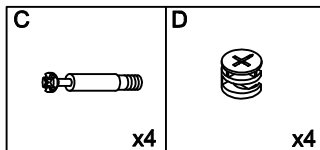
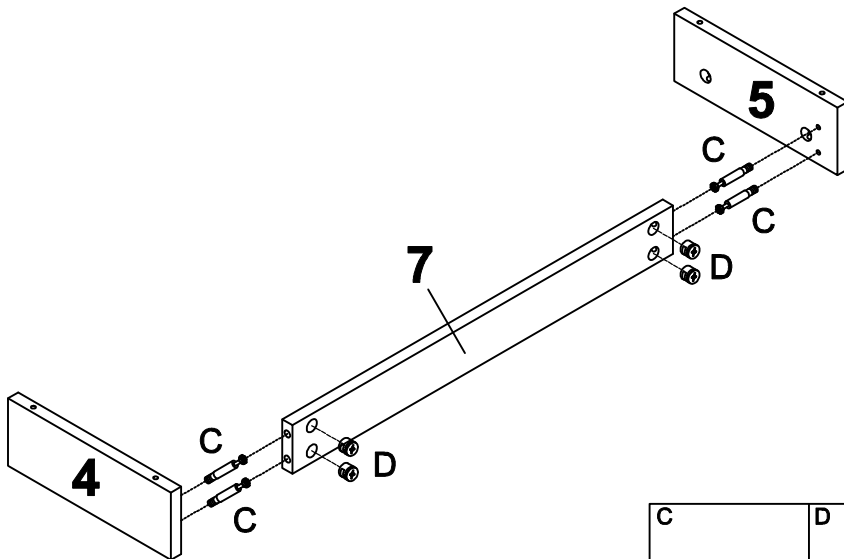
Step 4



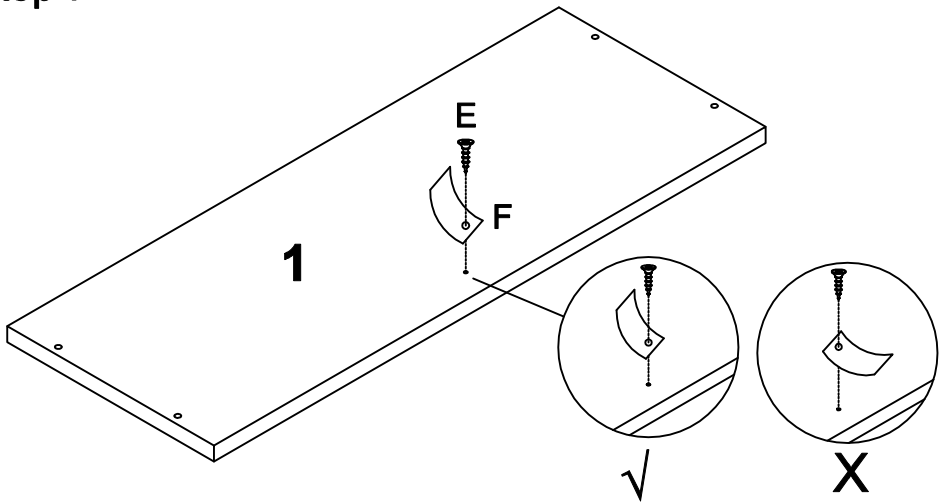
Step 5

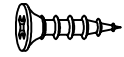



Step 6

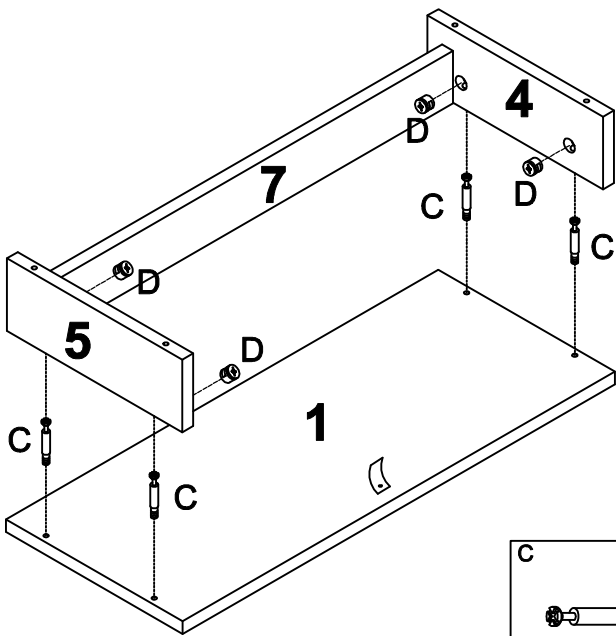


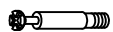

Step 7



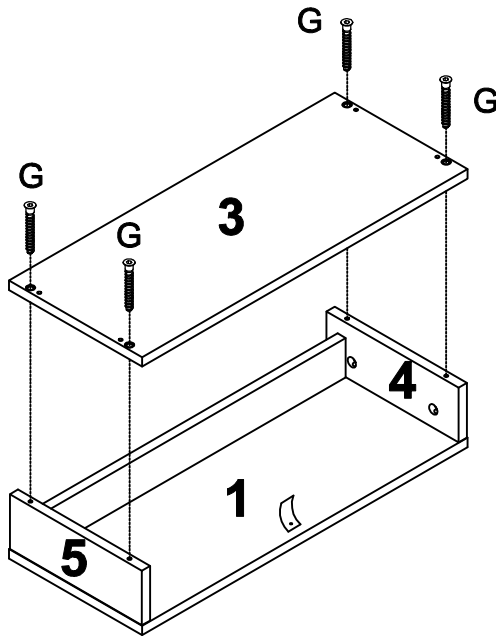
E M3.5x14  x1	F  x1
---	--

Step 8



C  x4	D  x4
---	--

Step 9

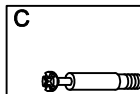
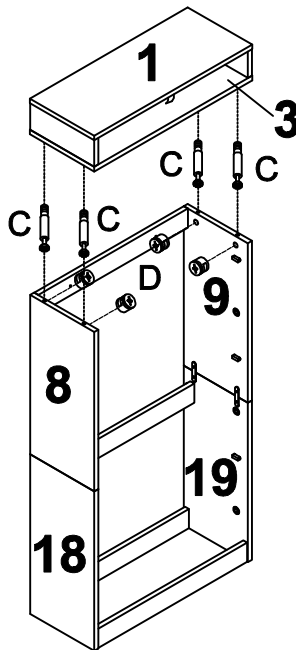


G M7x50

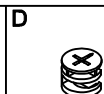


x4

Step 10

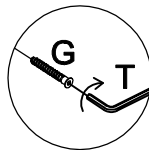
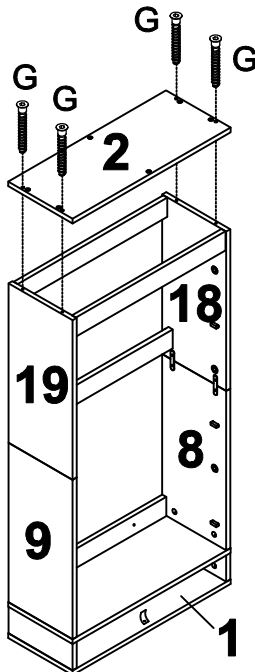


x4



x4

Step 11

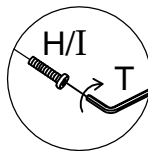
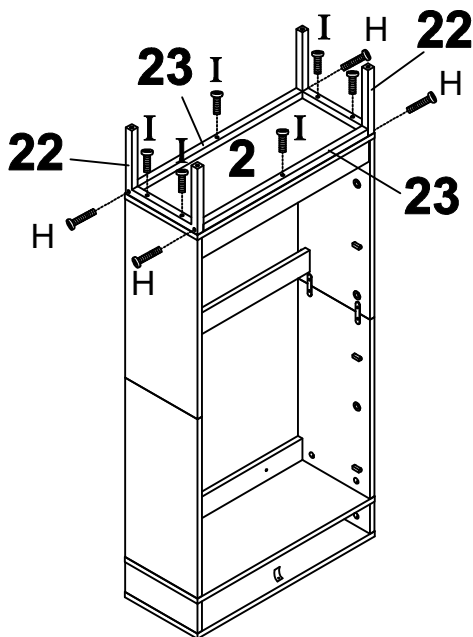


G M7x50



x4

Step 12



H M6x45



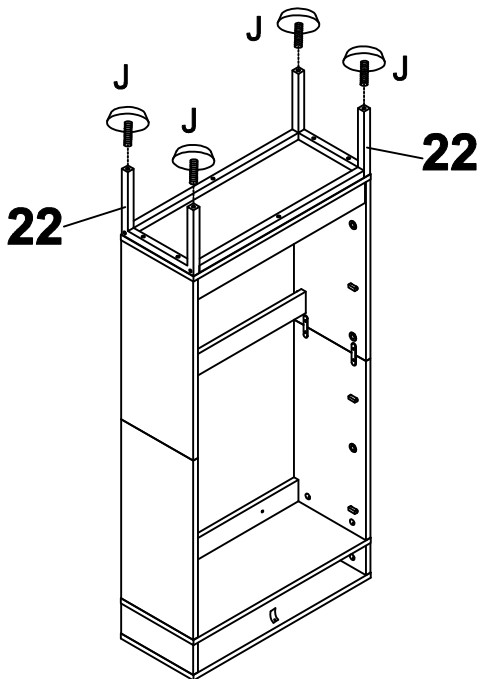
x4

I M6x30

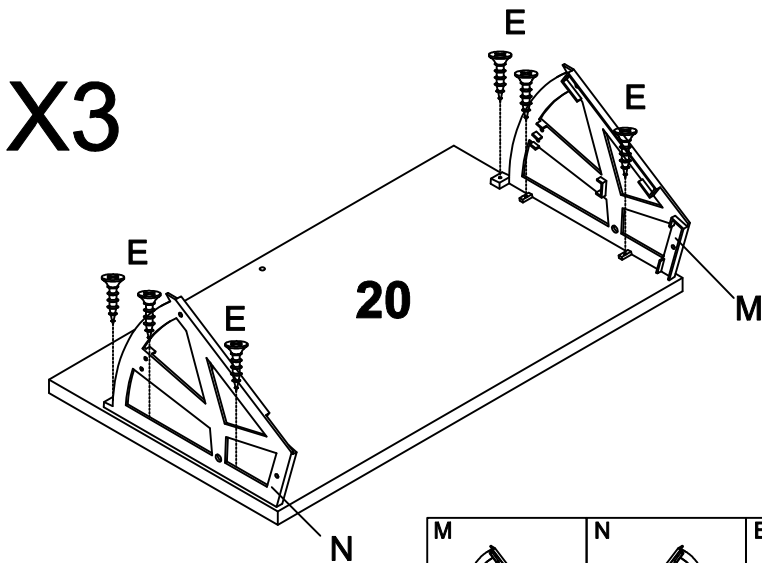


x6

Step 13

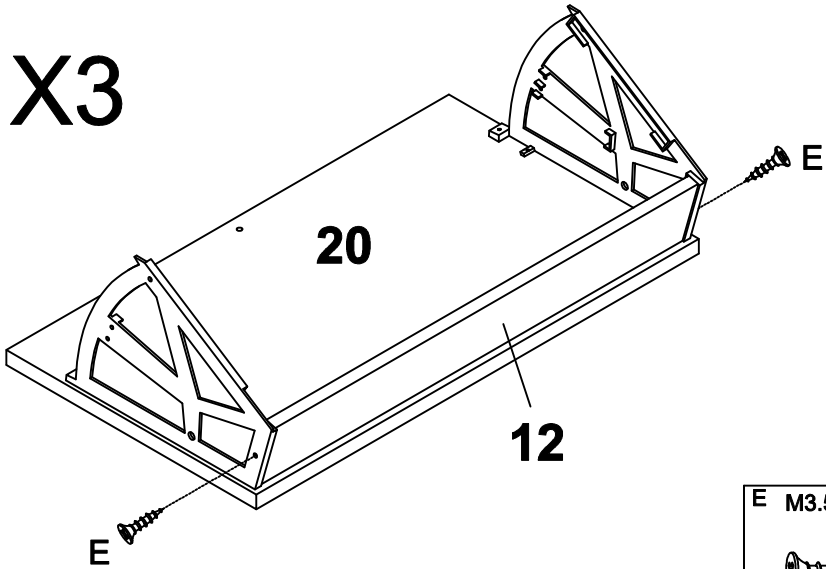


Step 14

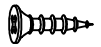


Step 15

X3



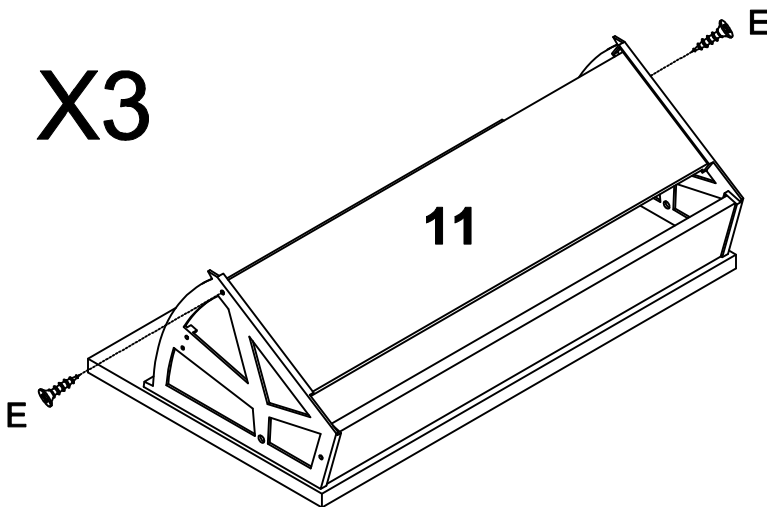
E M3.5x14



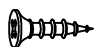
x6

Step 16

X3



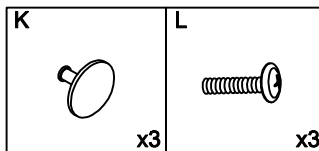
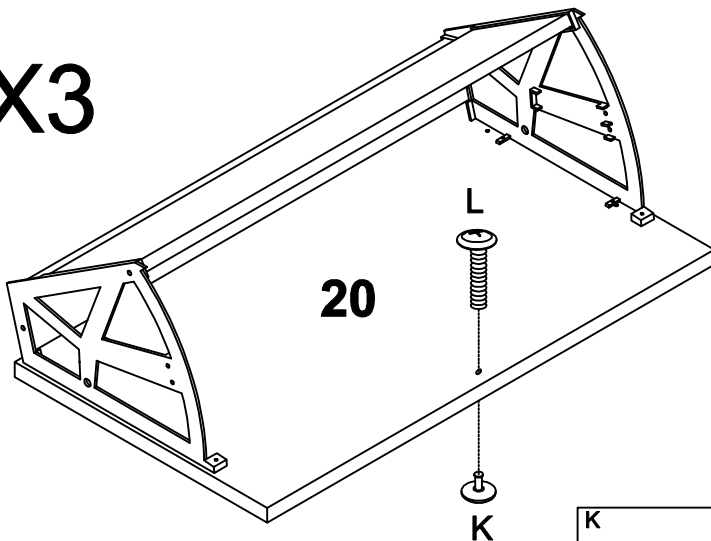
E M3.5x14



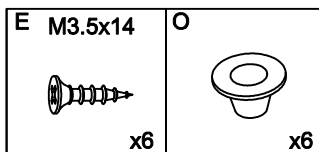
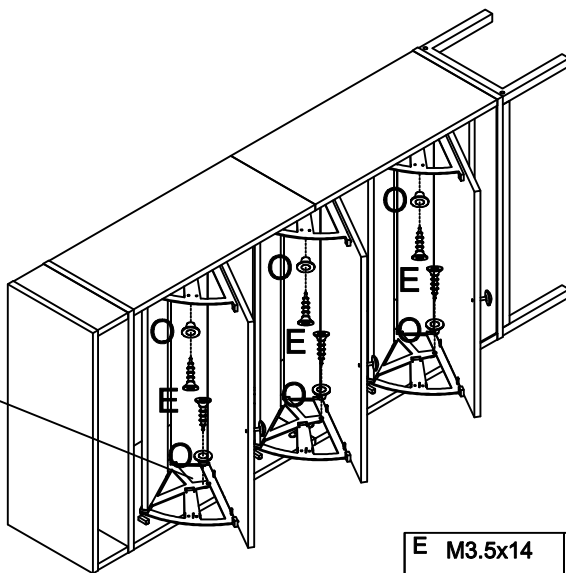
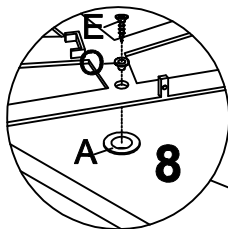
x6

Step 17

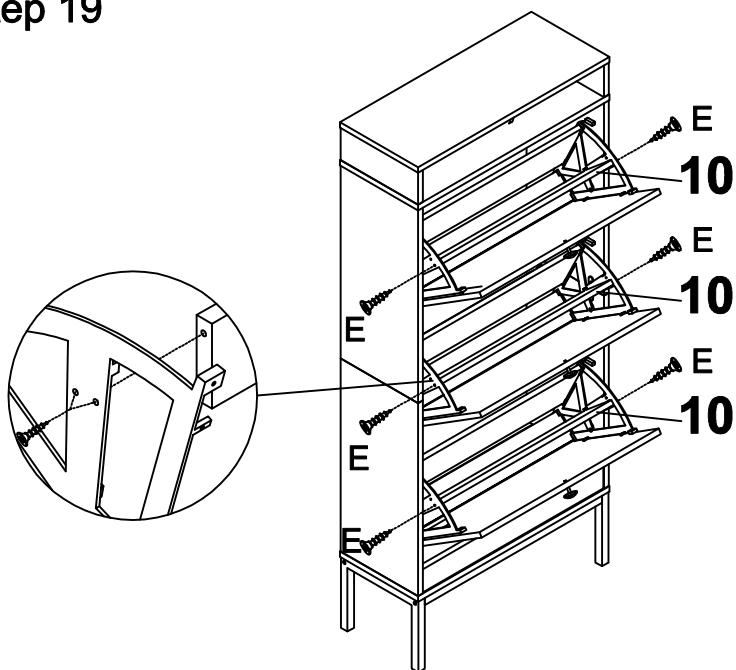
X3



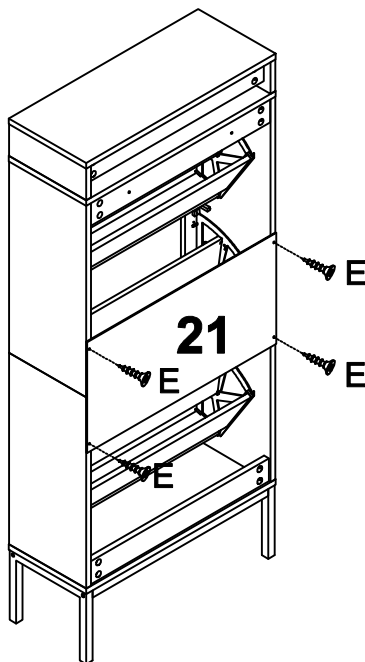
Step 18



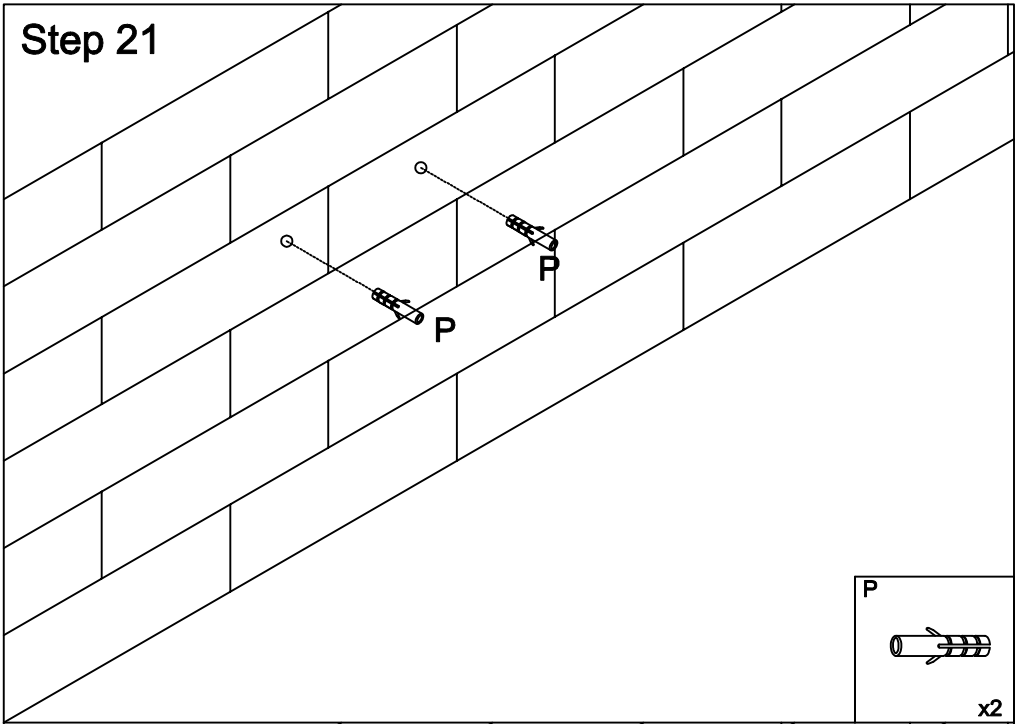
Step 19




Step 20



Step 21

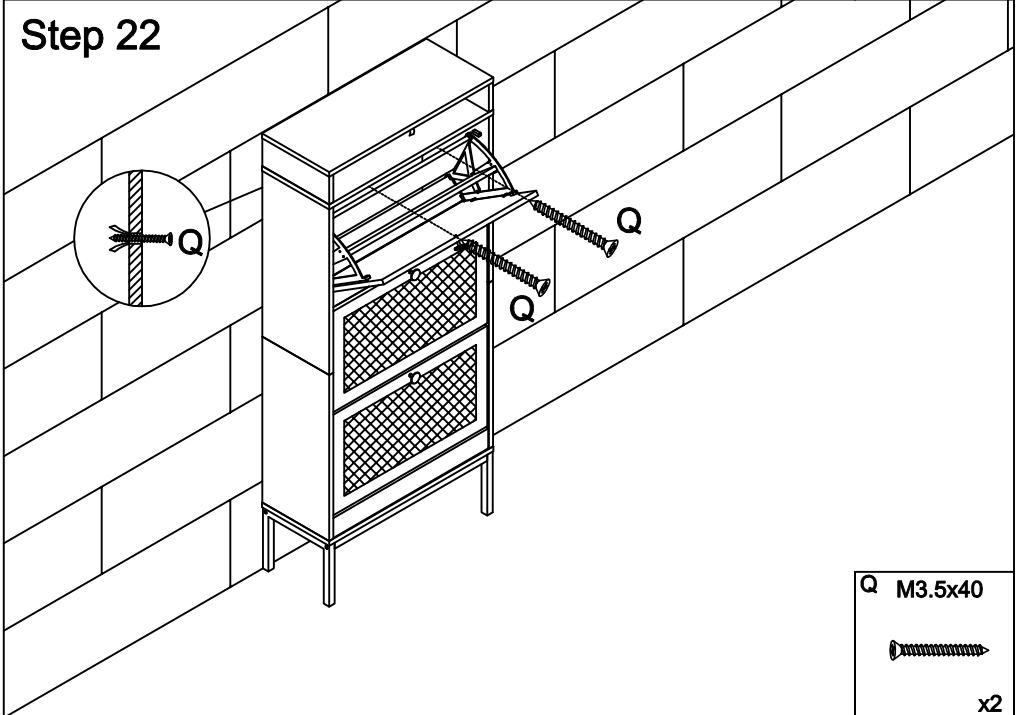


P




x2

Step 22

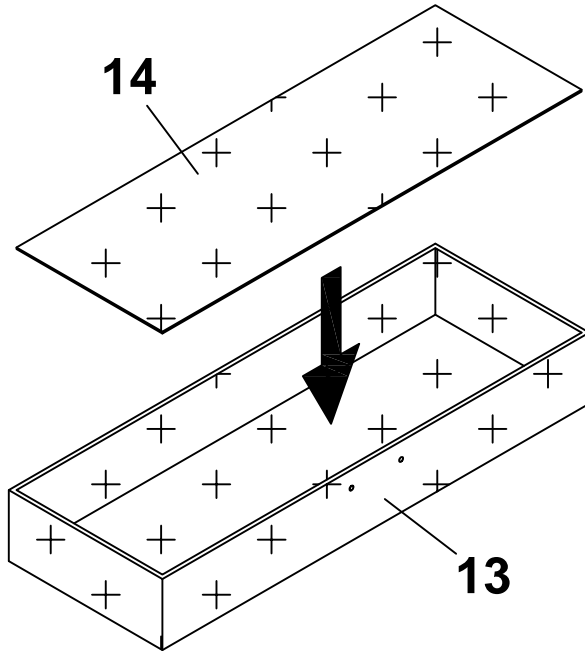


Q M3.5x40

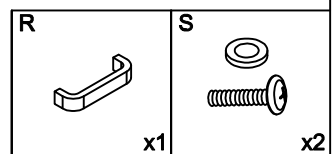
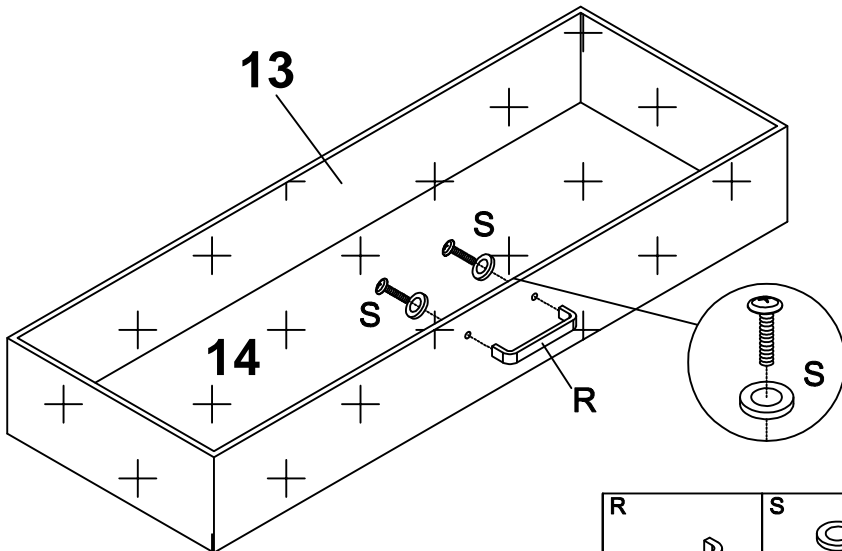


x2

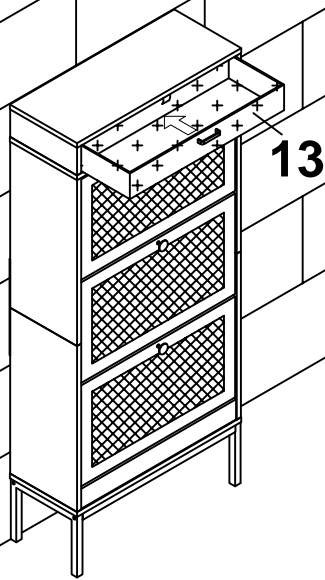
Step 23



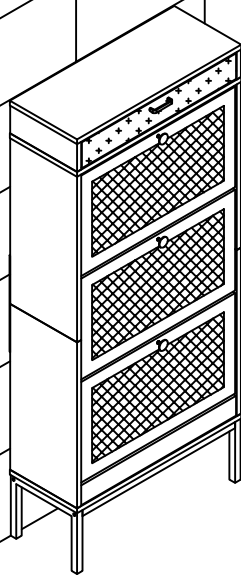
Step 24



Step 25



Finish !!!



WARRANTY INFORMATION

- Do not expose the surfaces to direct sunlight or to extreme environmental conditions.
- Clean the surfaces preferable with a clean damp cloth, then dry with a clean towel.
- Do not use solvents or abrasive materials to clean the unit. If you decide to use a cleaning agent, test first on an area hidden from view.
- Replacement parts might be available to you at no charge, with an original proof of purchase and where a defect has arisen, wholly or substantially, as a result of faulty manufacturing, parts or workmanship during the Warranty Period.
- The warranty does not extend to regular wear and tear, nor the manufacturer assumes liability for damages or consequences due to accidents, incorrect assembly, negligence, improper use, modifications, or not heeding the above warnings.
-

Thank you !