

## Kitchen Sink

### Features

1: This high class T-304 grade stainless steel sinks are made with heavy 16-gauge stainless steel, brushed nicked finished for corrosion, stains, scratch and dents resistance. easy to clean and use longasting.

2: Tracks on the front and back of the sink allow to place and slide, including the cutting board and colander on the sink.

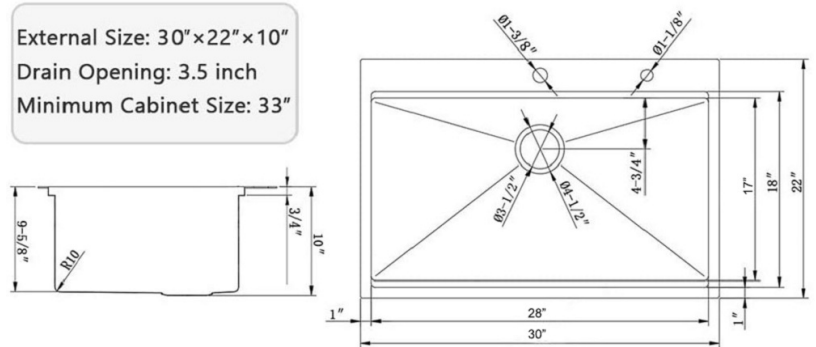
3: The X groove is designed for easy drainage, the a slight dip at the bottom to prevent water . accumulation.

4: Use 3mm sound guard undercoating and thick rubber padding, Ultra quiet designs with thicker & softer Rubber Noise Reduction Pads. Anti-condensation Thickening Noise Reduction Coating, absorb sound from the source, and isolate condensate.

5: Sink Dimension: Exterior Dimensions: 30"Lx 22"W x 10"D, Interior Dimensions: 28"Lx 17"W x 10"D. Standard 3-1/2" Drain Opening That Fits the Most Common Garbage



External Size: 30" x 22" x 10"  
 Drain Opening: 3.5 inch  
 Minimum Cabinet Size: 33"



10 inches deep:  
 Can hold a lot of kitchen  
 utensils

