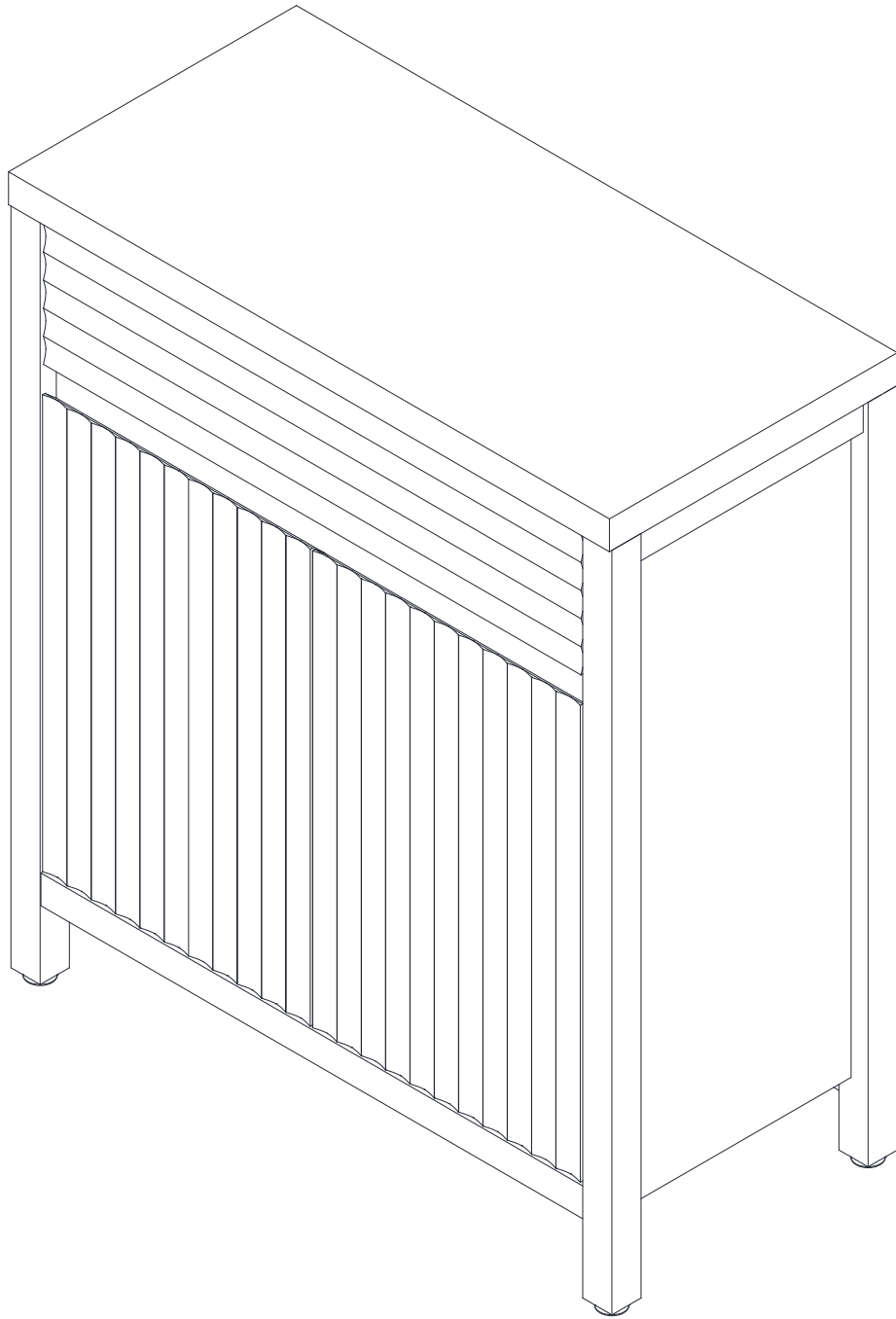


SICOTAS

SC124A1XLTY1227



Made In China

Assembly Instructions

Before beginning the assembly process, please read and save these instructions for reference. Following these guidelines will ensure a smooth and successful assembly of your product.

1. Part Identification:

Carefully separate and identify all the parts included in your package. Confirm that you have all the components listed in the instruction manual. This step will help you avoid any missing or misplaced parts during assembly.

2. Work Surface:

To prevent any scratches or damage to the product, assemble it on a soft mat or a similar protective surface. This will provide a cushioned area for the components and protect the surfaces from unwanted marks.

3. Step-by-Step Assembly:

Follow the assembly instructions provided, proceeding one step at a time. Take care to understand each step properly before proceeding to the next one. This sequential approach ensures that the assembly is done correctly and minimizes the chance of errors.

4. Proper Screw Seating:

When attaching screws and nuts, it is essential not to fully tighten them until all screws are correctly seated. By partially tightening each screw and nut initially, you can ensure that they are aligned properly and fit securely before final tightening.

5. Avoid Over-Tightening:


While each screw and nut should be tightened correctly, it is crucial not to over-tighten them. Over-tightening can cause damage to the product or compromise its structural integrity. Use the appropriate amount of force to secure the components without excessive tightening.

If you encounter any questions or problems during the assembly process, please do not hesitate to contact us. We strive to provide excellent customer support and will respond to your inquiries within 24 hours. Our team will offer you a suitable solution to address any concerns you may have.

SICOTAS Customer Help Center:

 Service@sicotas.com

 www.sicotas.com

 833-742-6827

Official Website:



WhatsApp:



YouTube:



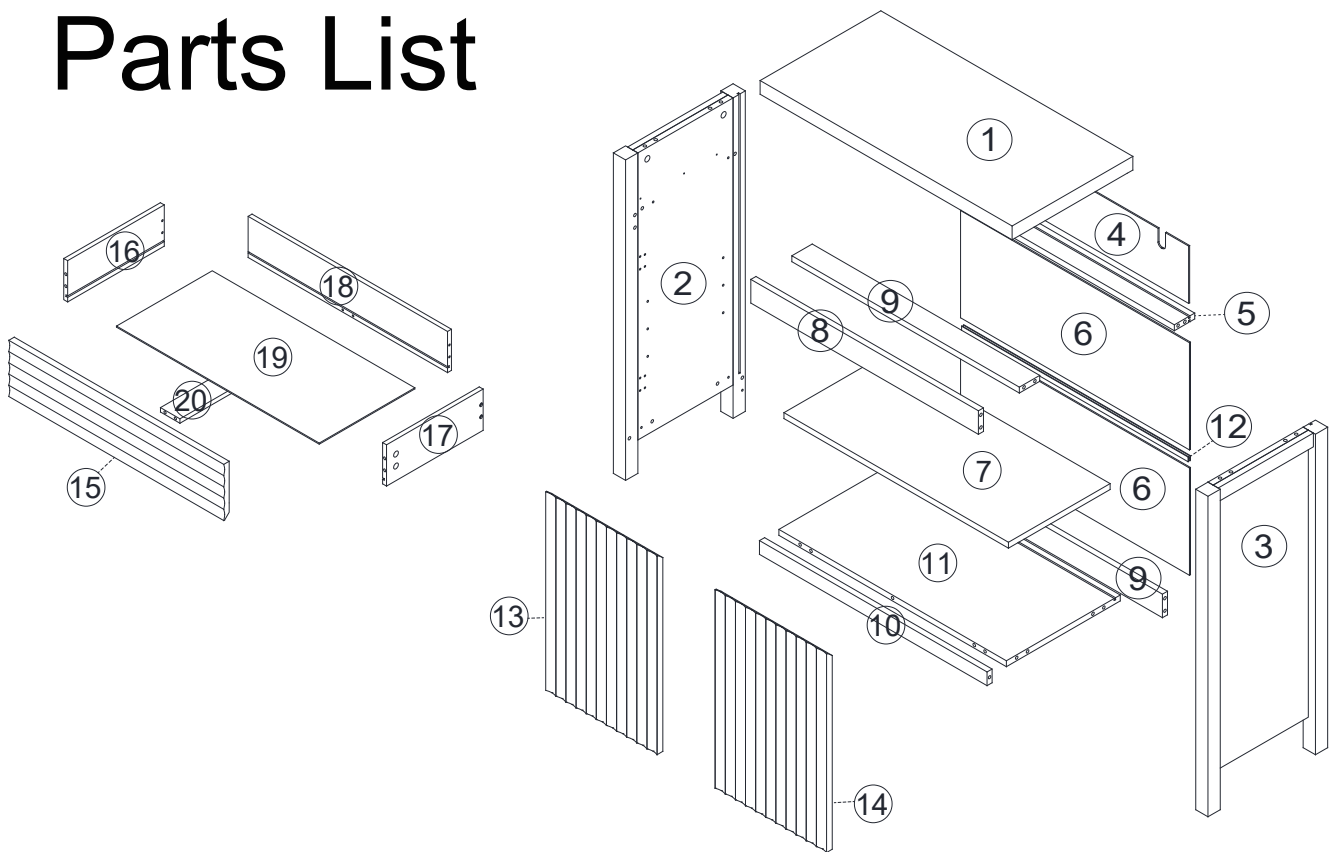
Ins:










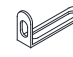











Tik Tok:



Parts List



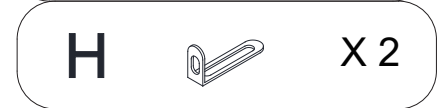
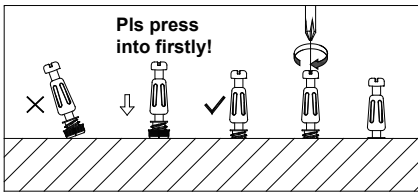
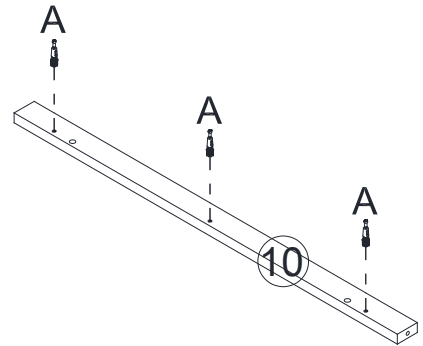
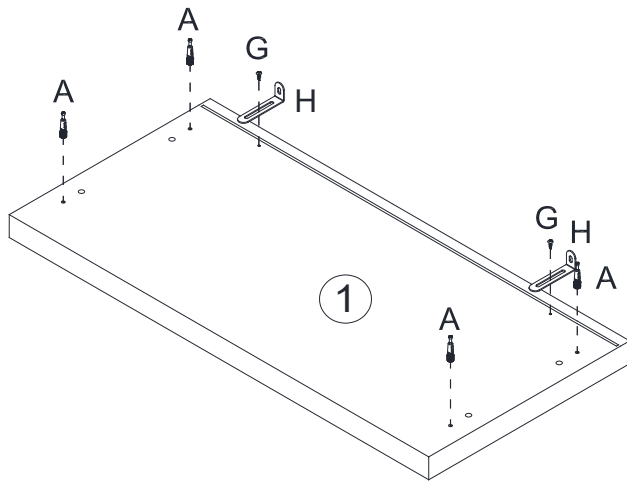
Hardware List

A x17  Ø6x40	B x23  Ø15x10	C x22  Ø8x30	D x8  M4x35	E x12  M3x12	F x4  Ø6x35	G x2  M4x12	H x2  300MM	I x15  300MM	J x15  M3x16
K x4  300MM	L x2  300MM	M x4  300MM	N x24  M3.5x14	O x6  Ø6x35	CLx1  300MM	CRx1  300MM	DLx1  300MM	DRx1  300MM	

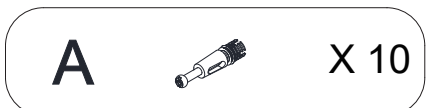
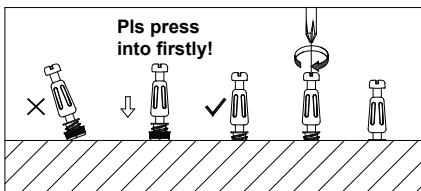
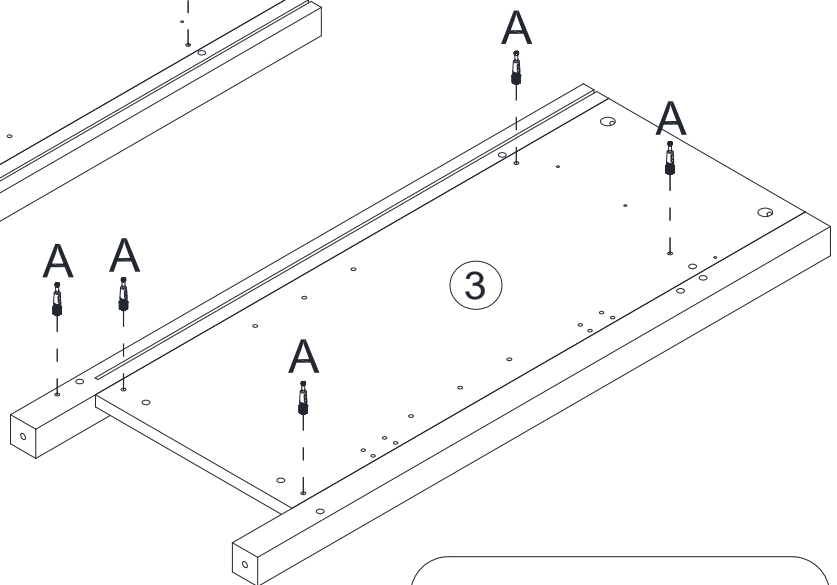
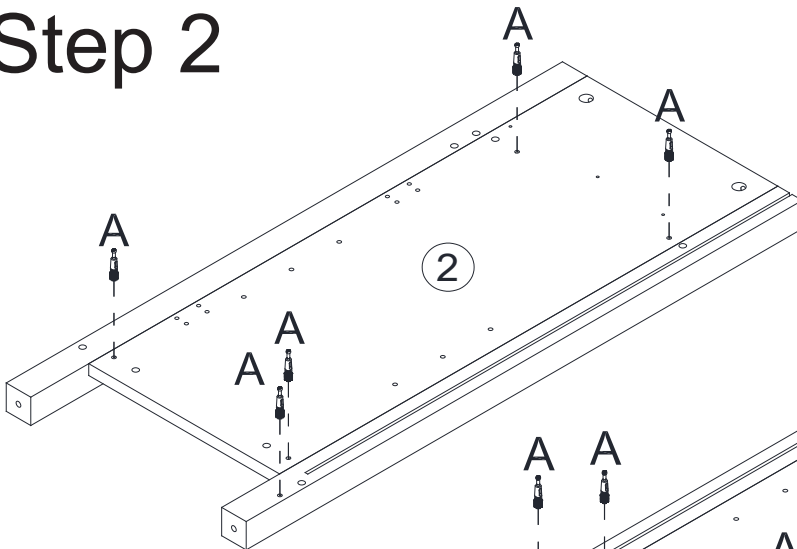
Code	Description	Quantity
A	Cam bolt	17+2
B	Cam lock	23+2
C	Ø8x30MM Wooden dowel	22+2
D	M4x35MM Screw	8+2
E	M3x12MM Screw	12+2
F	Adjusting the footrest	4
G	M4x12MM Screw	2+1
H	Anti falling iron sheet	2
I	Back clip	15+2
J	M3x16MM Screw	15+2

Code	Description	Quantity
K	Metal Pin	
L	Plastic anchor	2
M	Hinge	4
N	M3.5x14MM Screw	24+2
O	Cam bolt	6+1
CL	300MM Drawer runner set	1
CR	300MM Drawer runner set	1
DL	300MM Drawer runner set	1
DR	300MM Drawer runner set	1

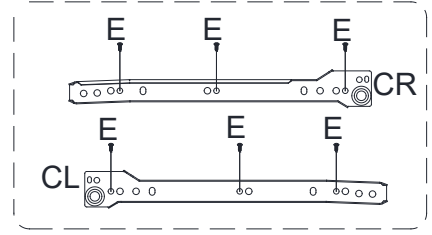
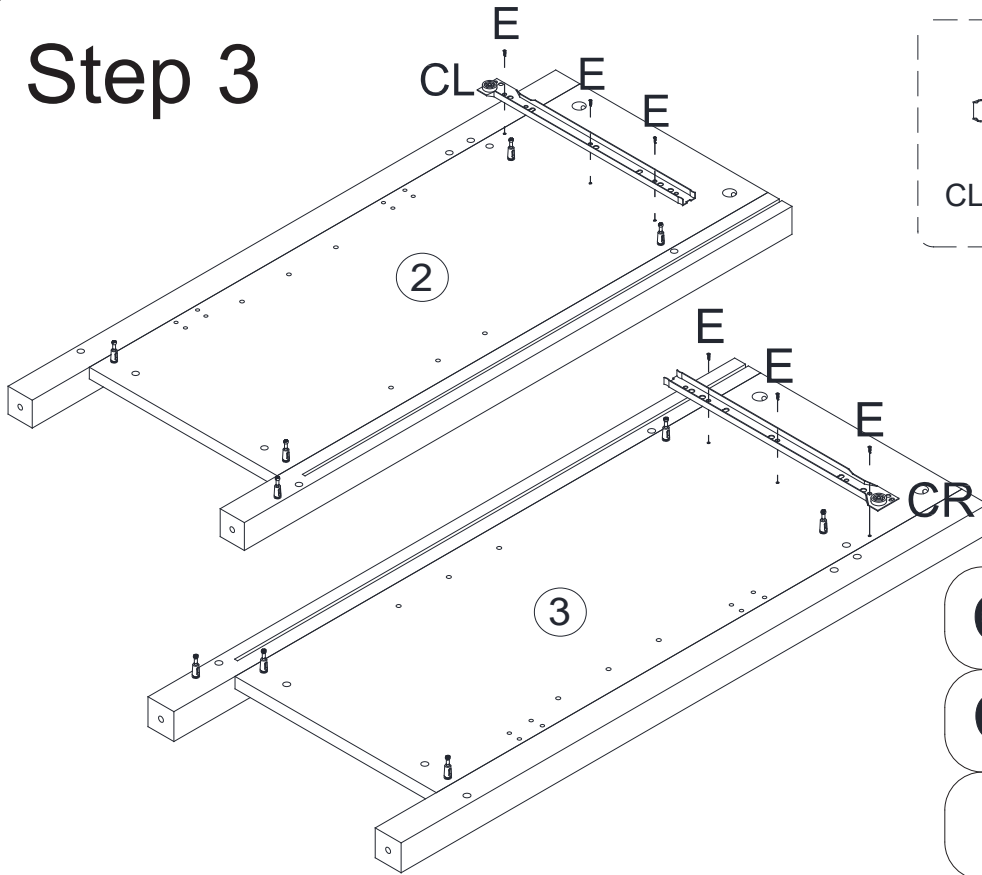
Step 1






Step 2

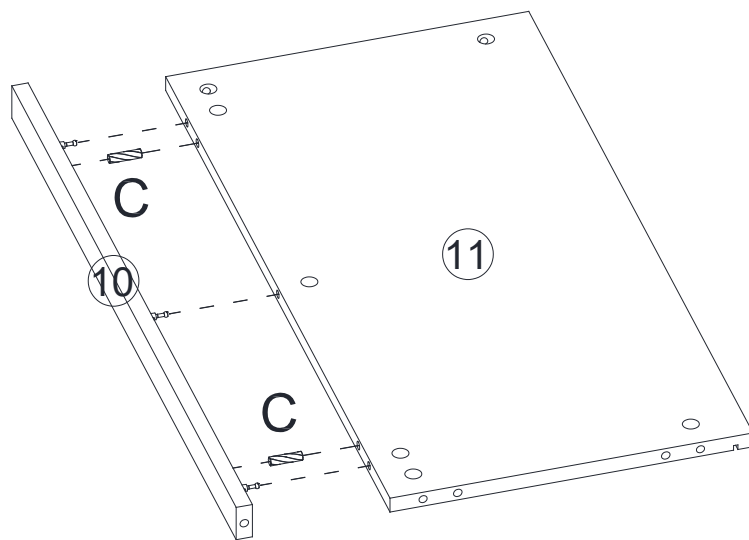



Step 3



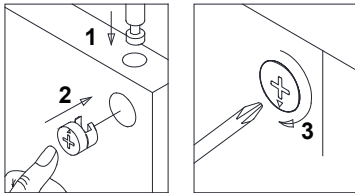
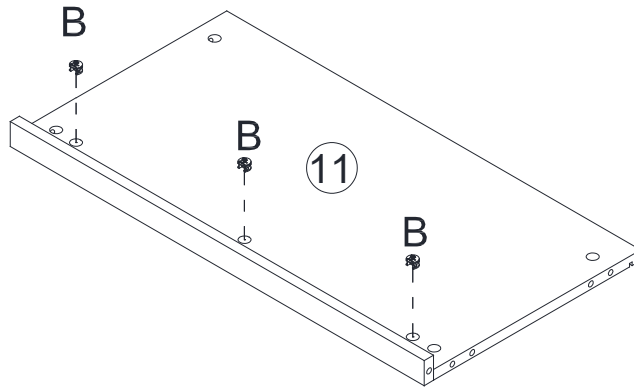
- CL**  X 1
- CR**  X 1
- E**  X 6

Step 4



- C**  X 2

Step 5



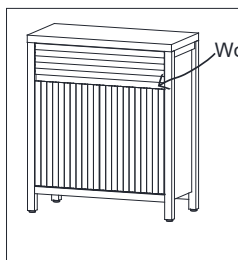
B



X 3

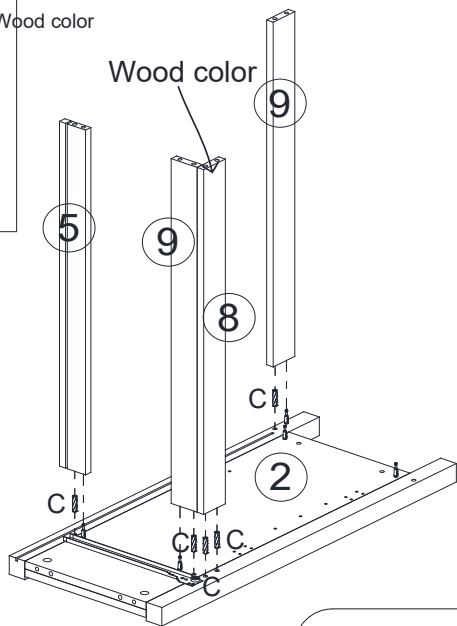
Step 6

Note: Part ⑧ can be selected with black or wood color surface.



Wood color

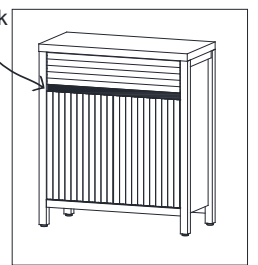
Wood color



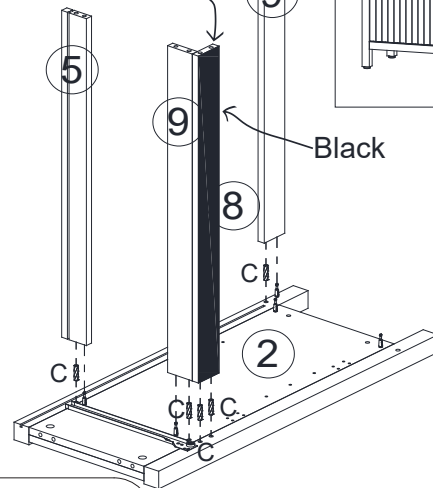
or



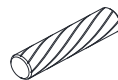
Black



Black

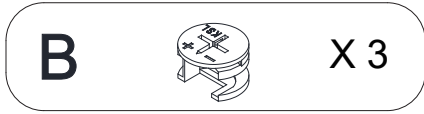
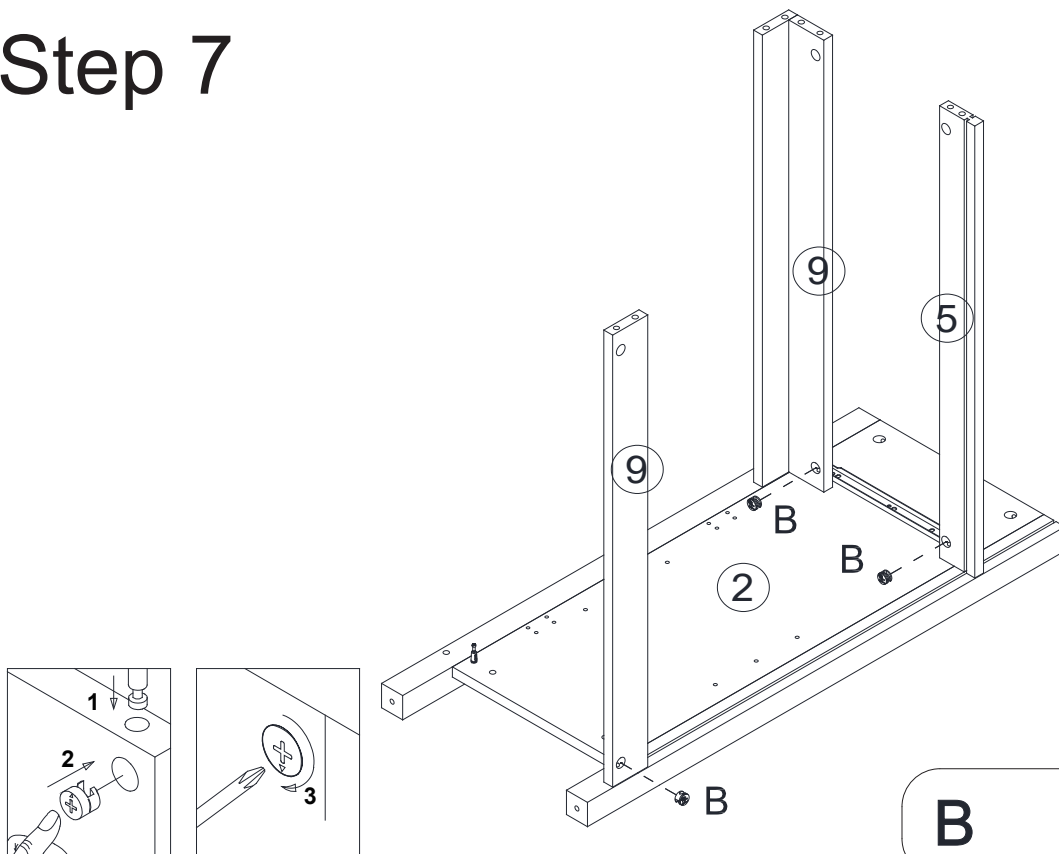


C

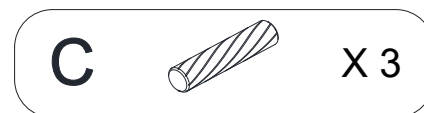
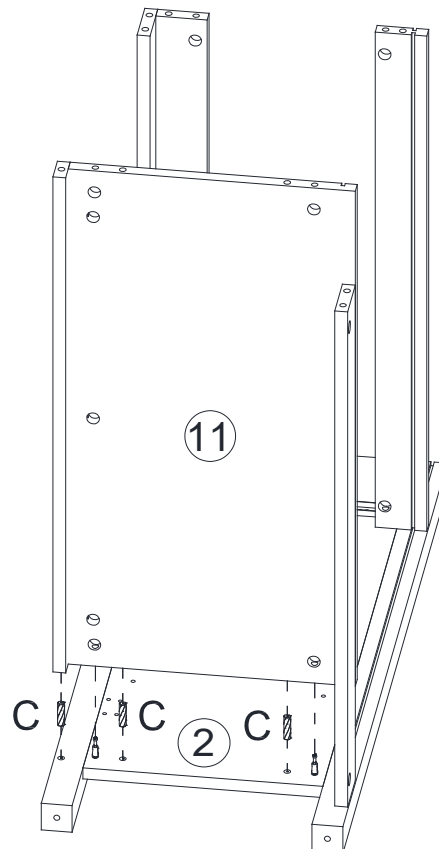


X 5

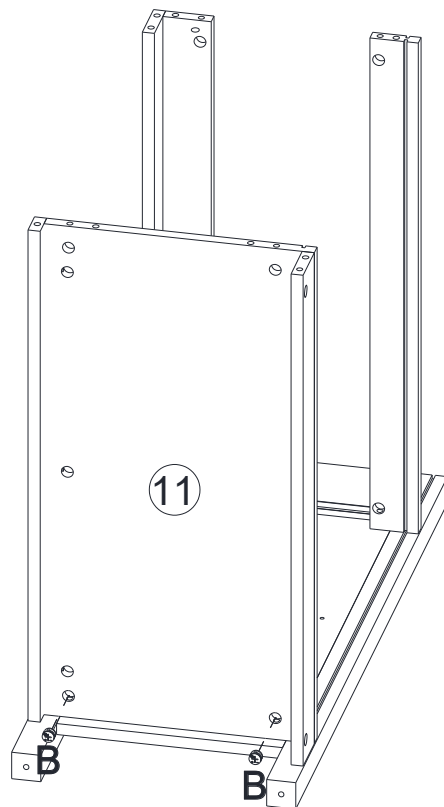
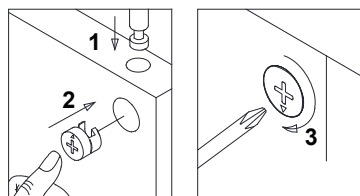
Step 7



Step 8



Step 9

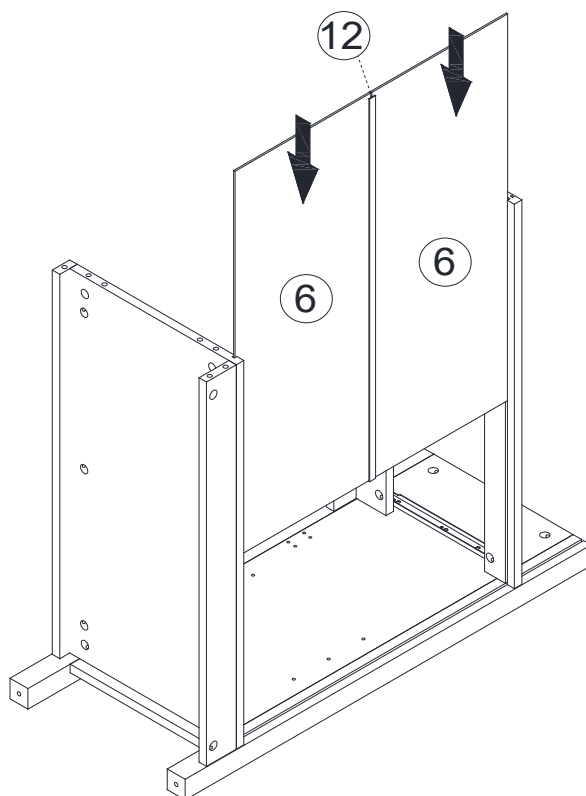


B

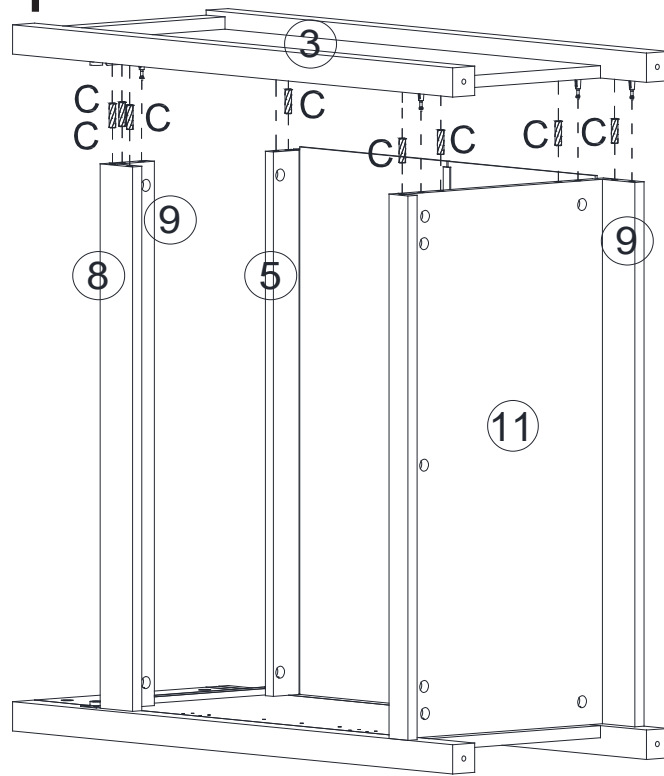


X 2

Step 10



Step 11

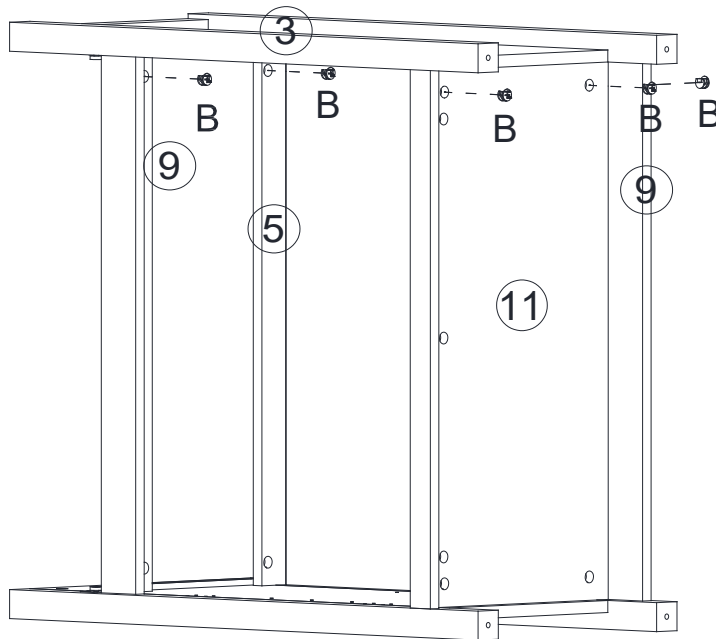


C



X 8

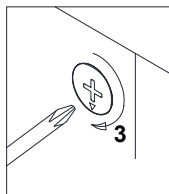
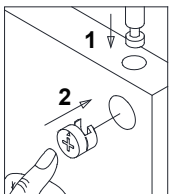
Step 12



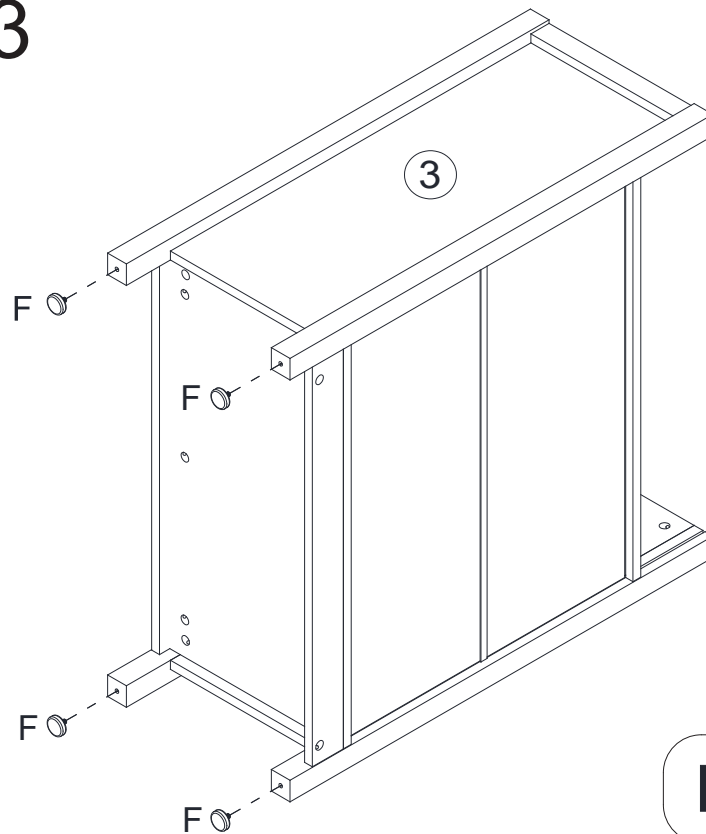
B



X 5



Step 13

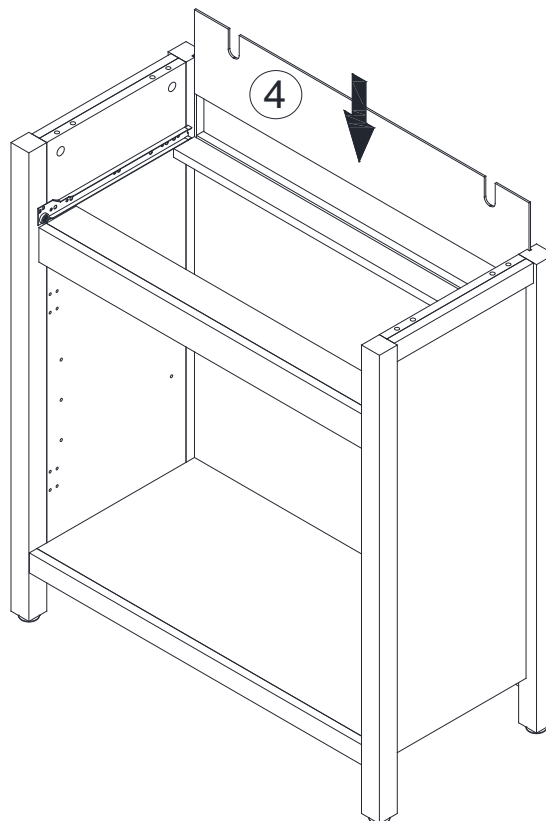


F

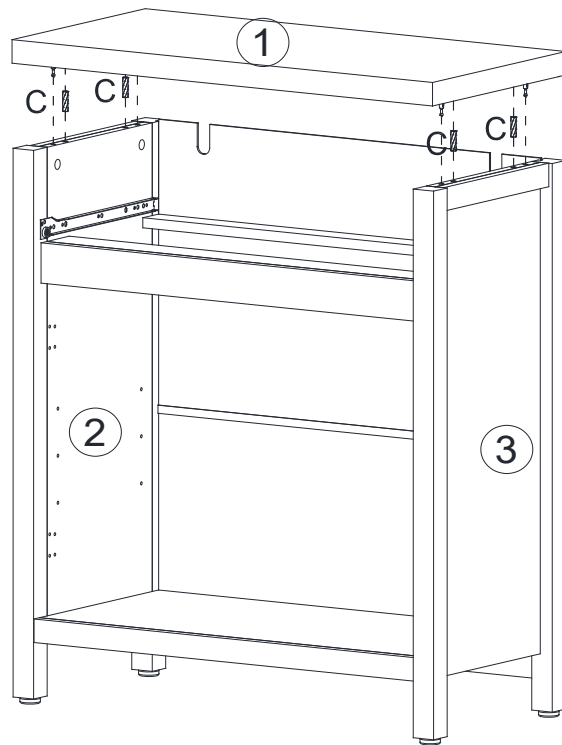


X 4

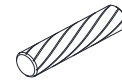
Step 14



Step 15

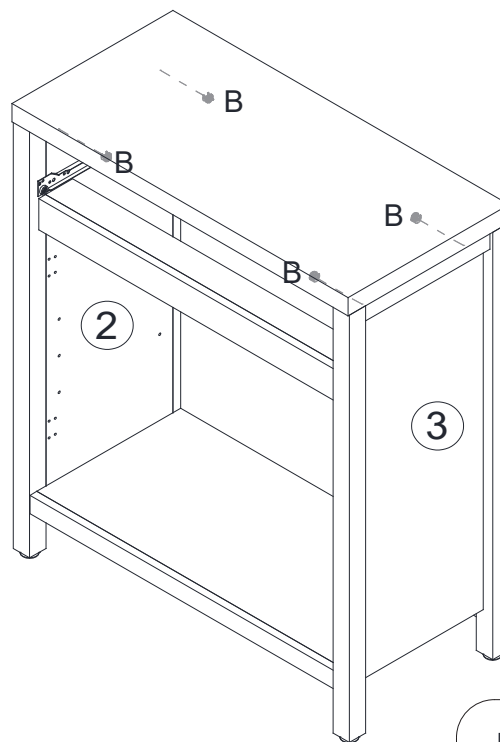


C



X 4

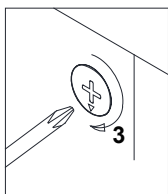
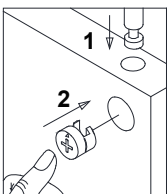
Step 16



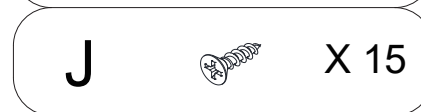
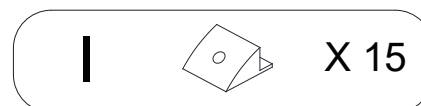
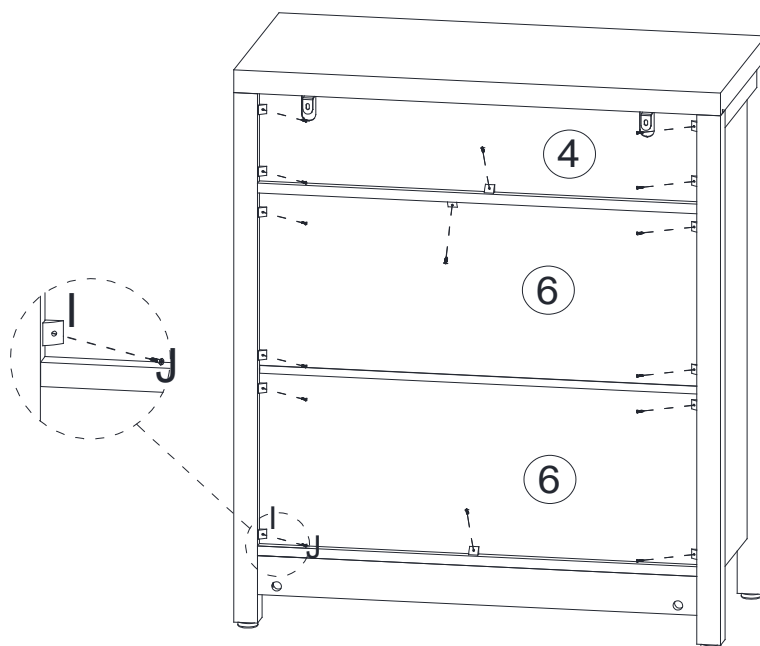
B



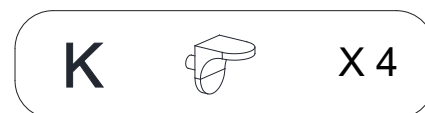
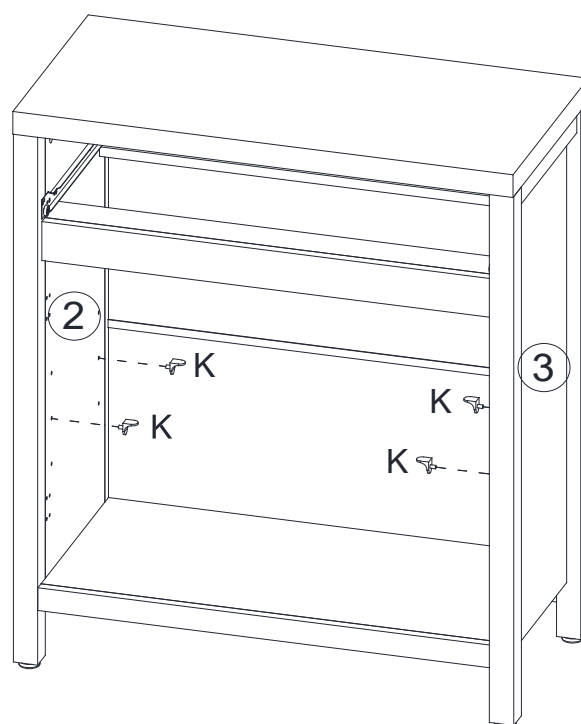
X 4



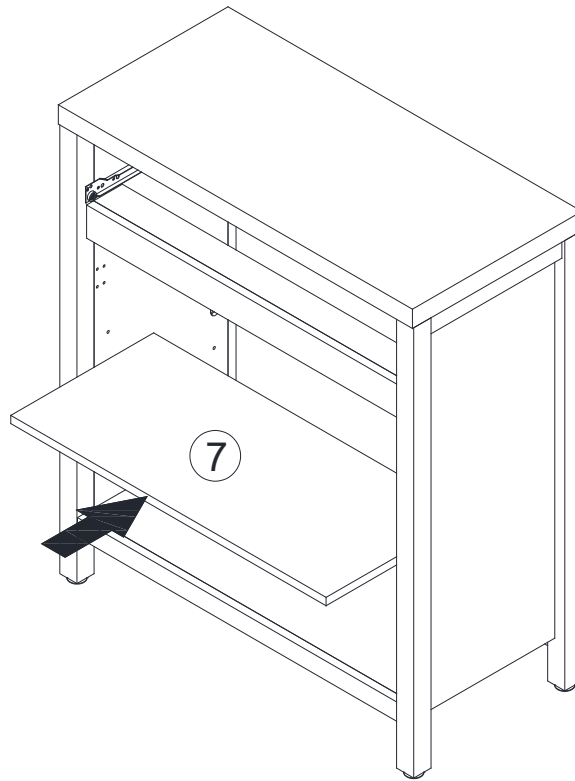
Step 17



Step 18

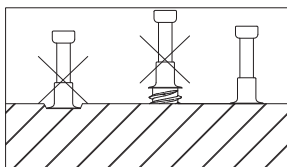
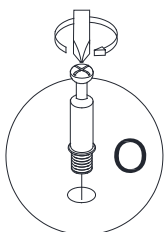
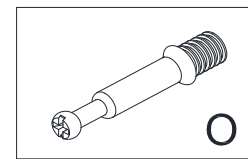
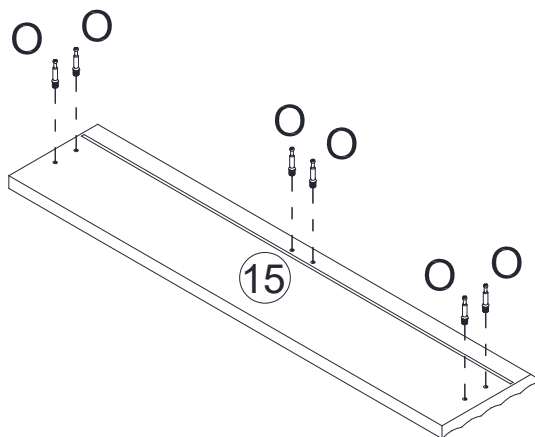


Step 19

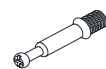


Step 20

⚠ WARNING

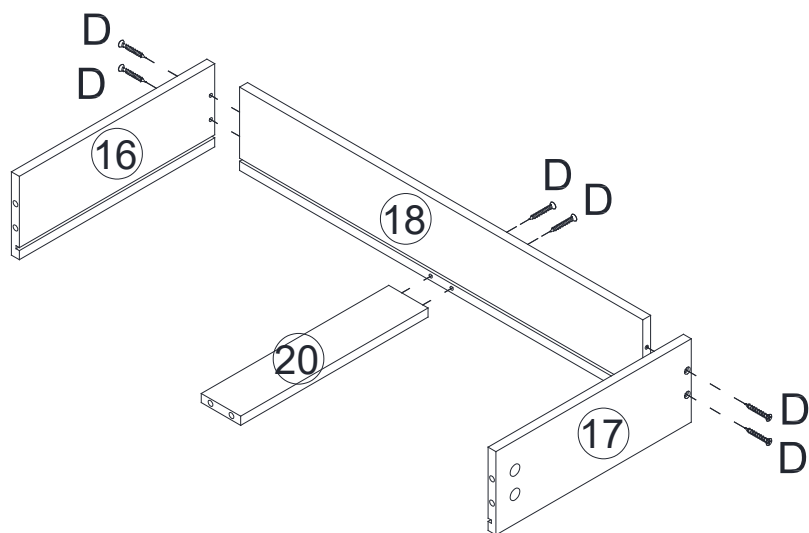


O



X 6

Step 21

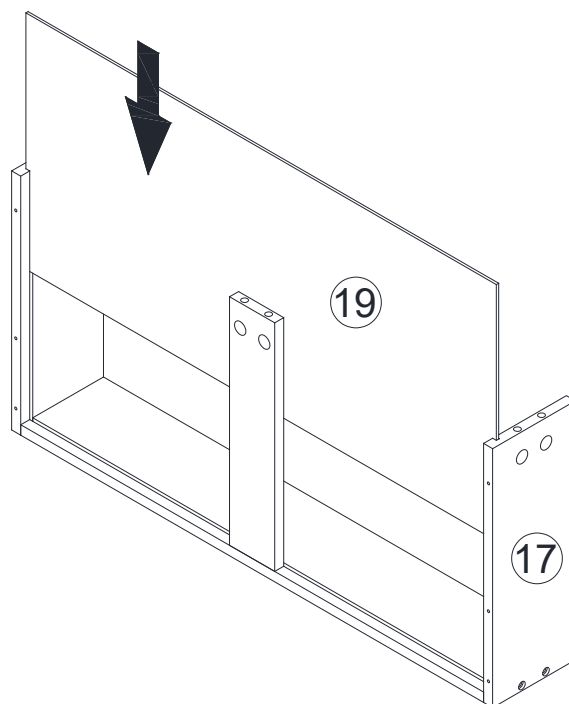


D

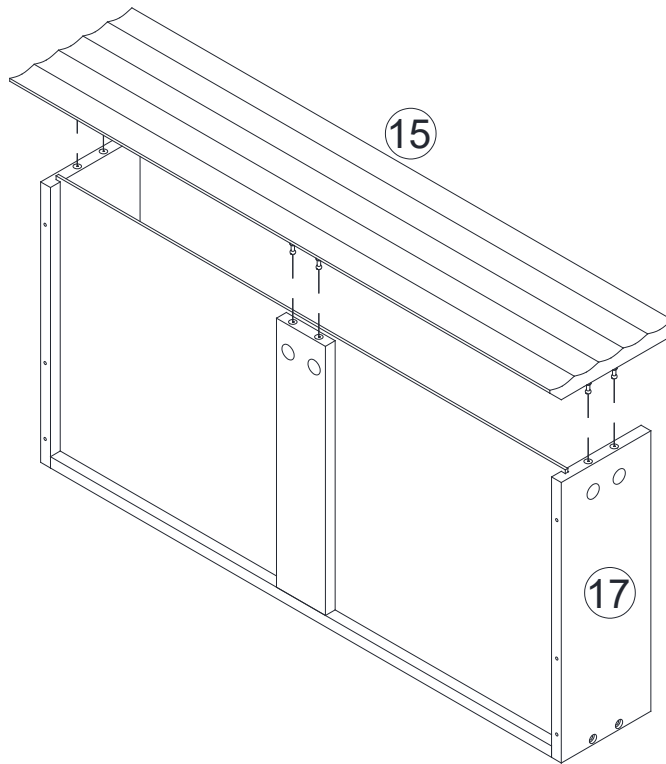


X 6

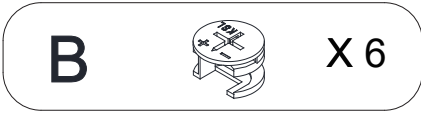
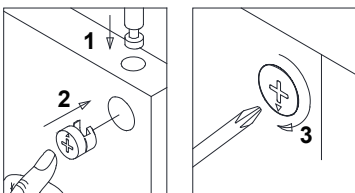
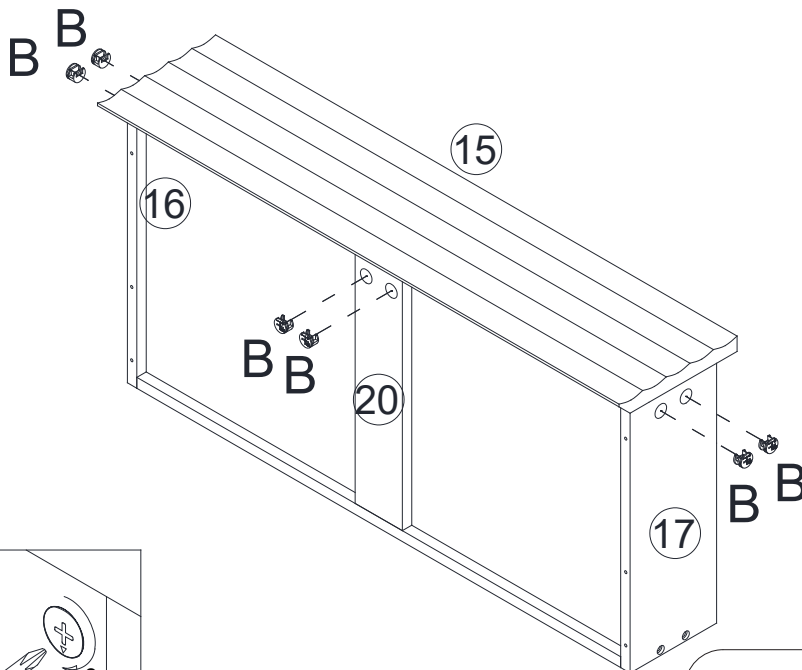
Step 22



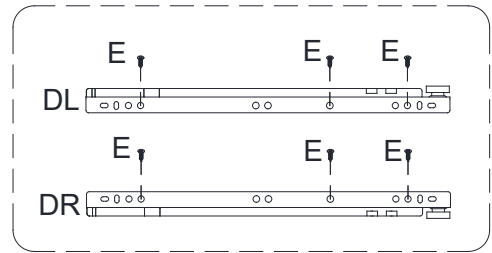
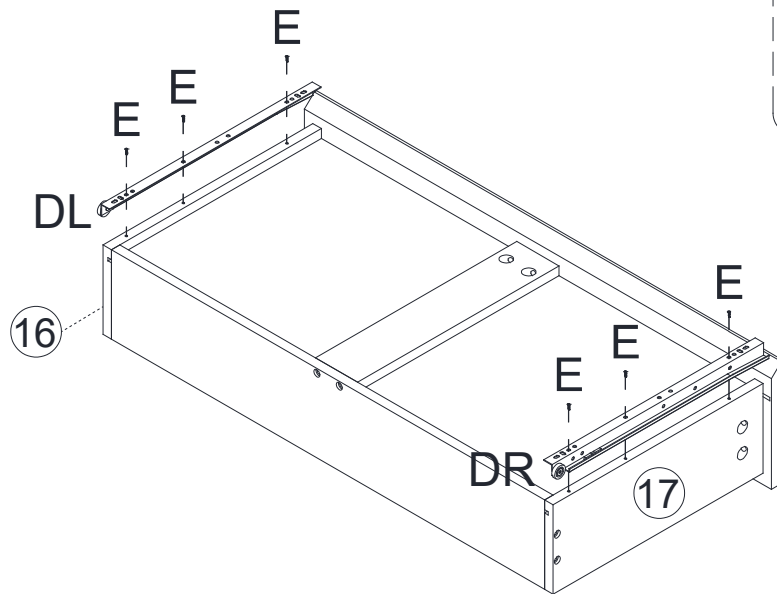
Step 23




Step 24



Step 25

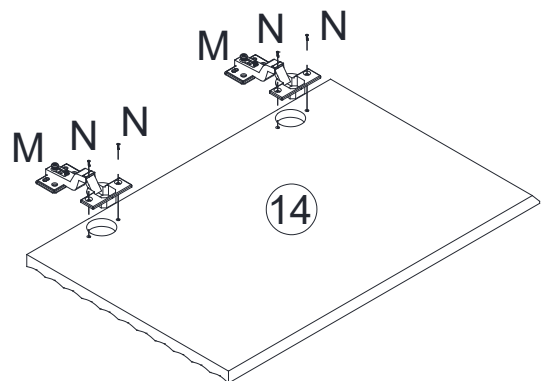
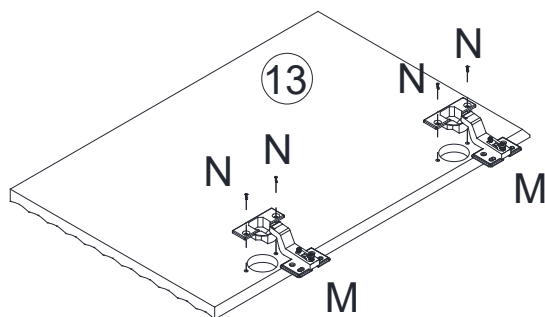


DL  X 1

DR  X 1

E  X 6

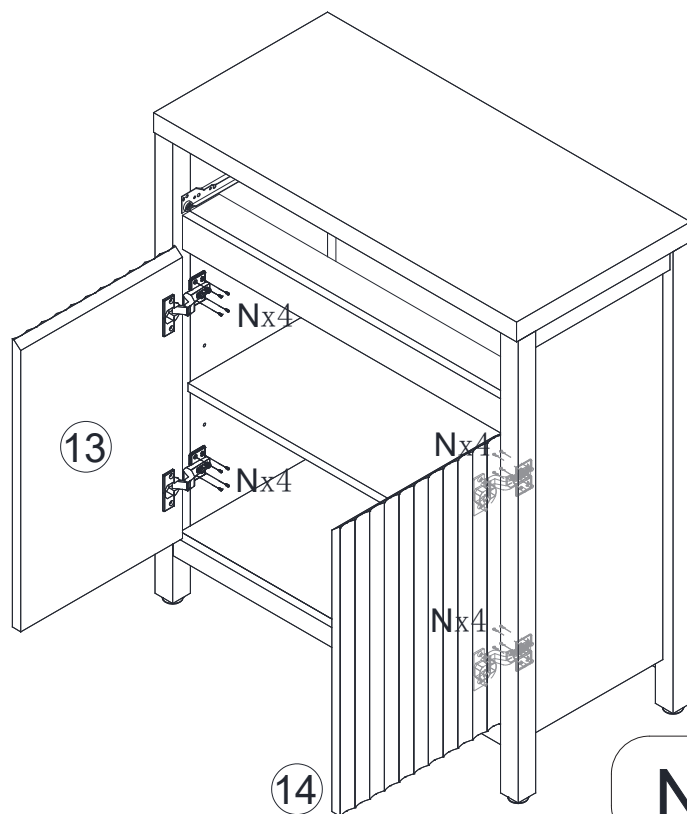
Step 26



M  X 4

N  X 8

Step 27



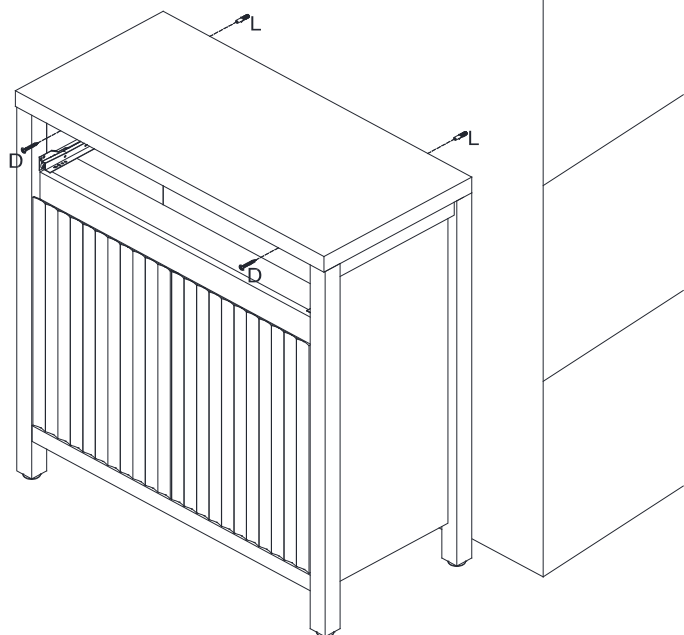
N



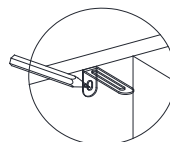
X 16

Step 28

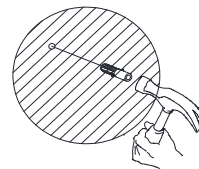
WALL



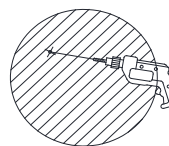
1:



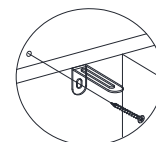
3:



2:



4:



D



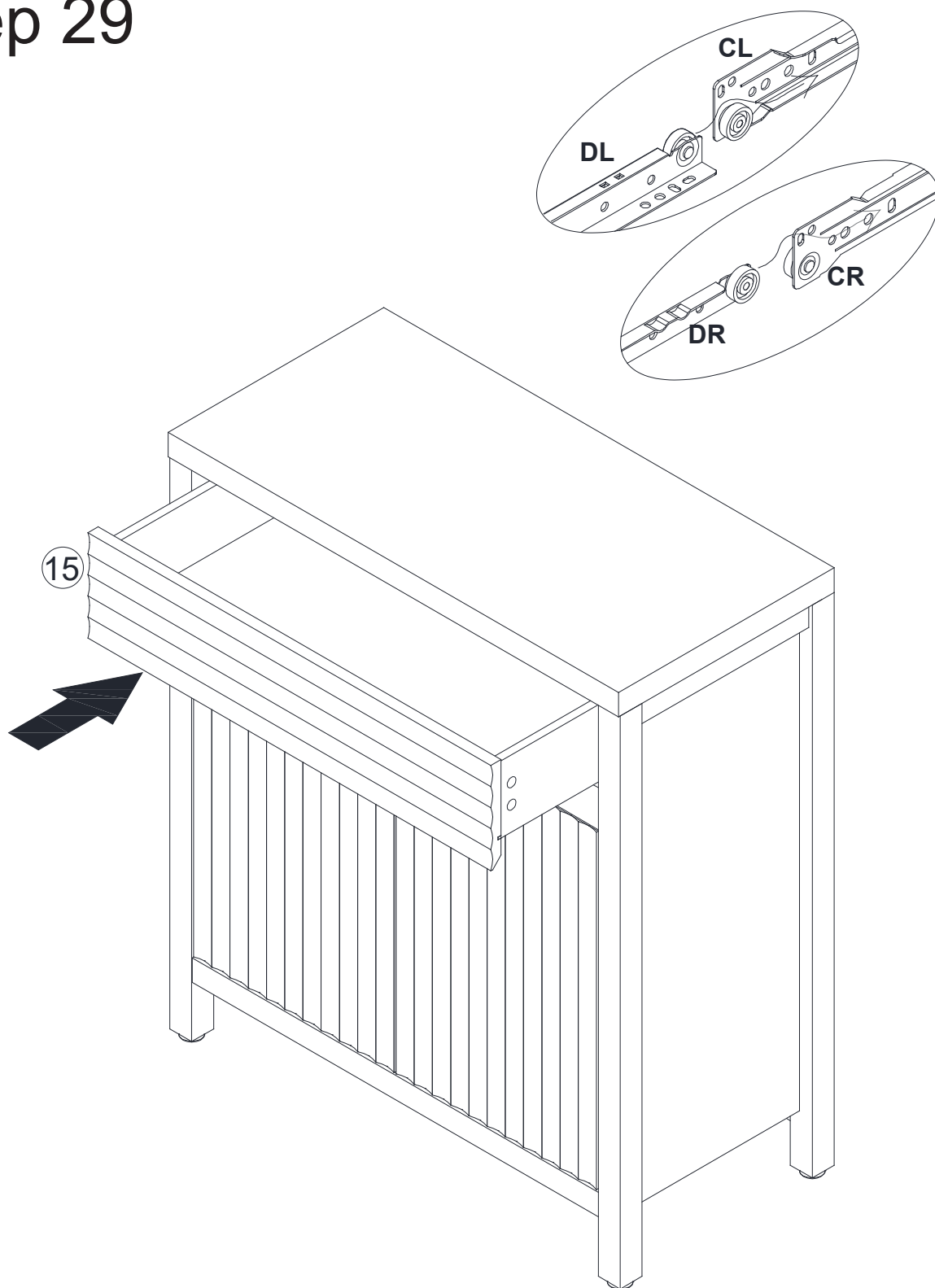
X 2

L

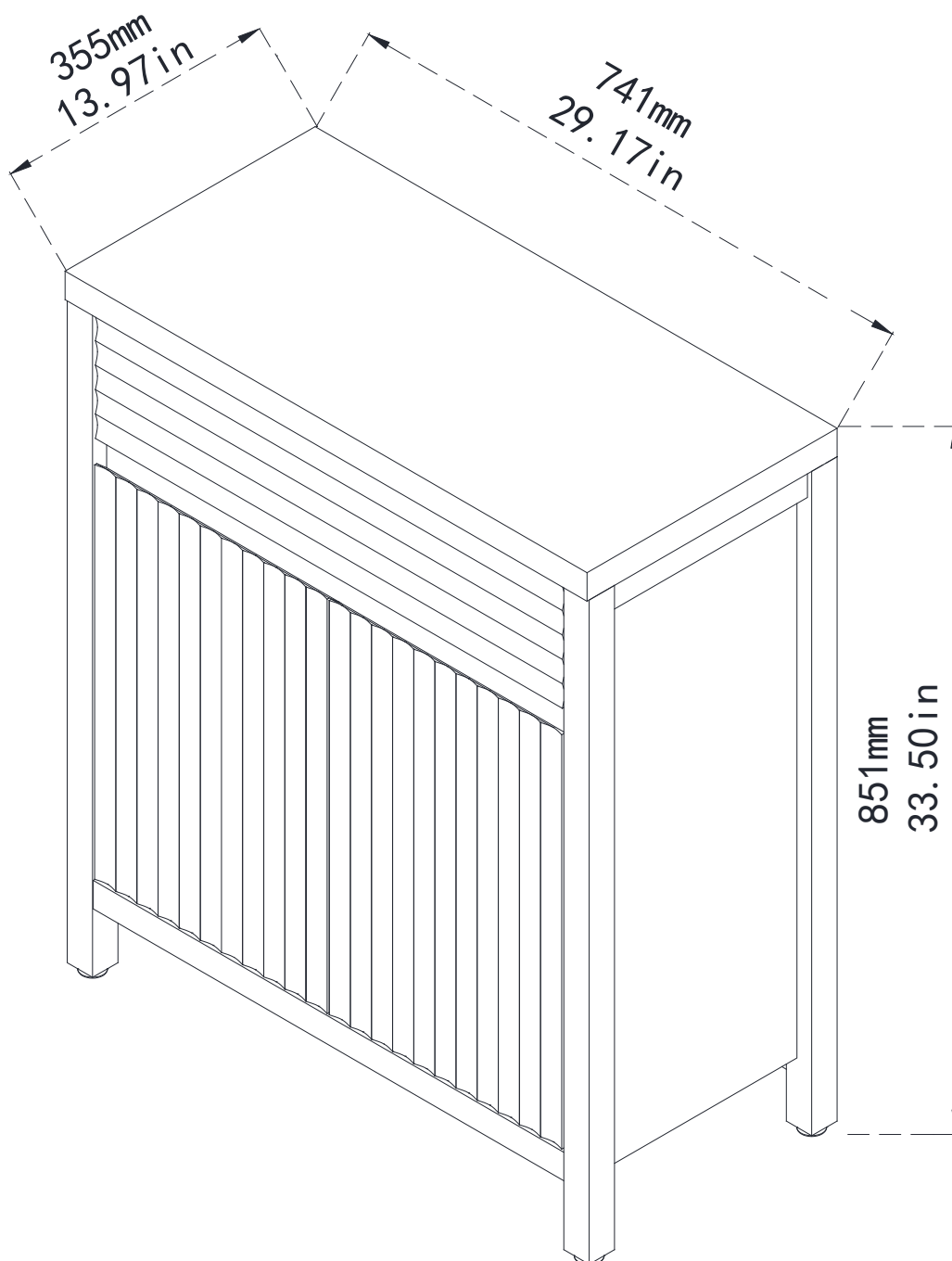


X 2

Step 29



Step 30

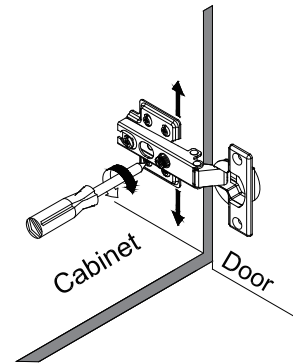
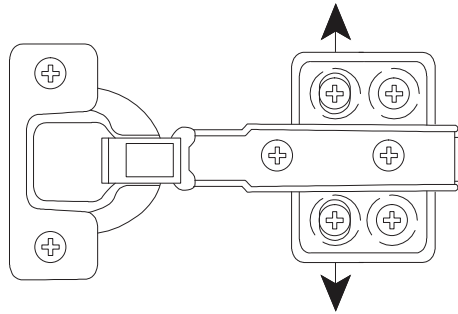
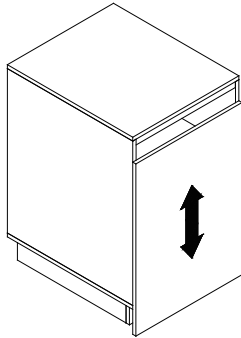


Final assmebly

Cabinet Door Adjustment Instructions

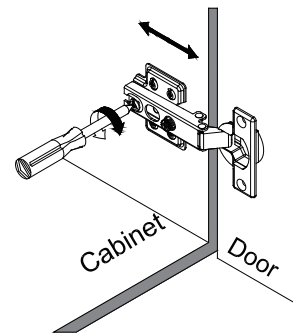
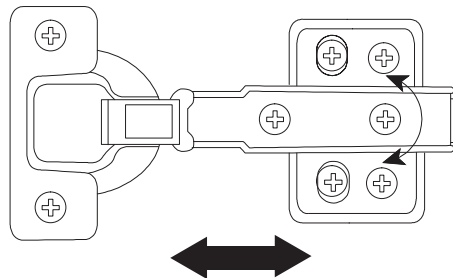
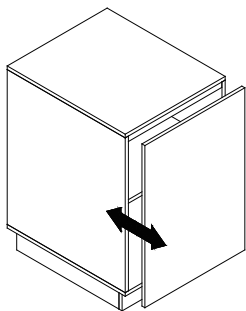
Height adjustment:

- Locate the height adjustment screws on the hinge.
- Use the Phillips screwdriver to either tighten or loosen the screws to raise or lower the cabinet door as desired.



Side-to-side adjustment:

- If the cabinet door needs to be moved closer to or away from the cabinet frame, locate the side-to-side adjustment screws on the hinge.
- Use the Phillips screwdriver to adjust these screws and gradually move the door in the desired direction.



Depth adjustment (if applicable):

- Check if the cabinet door needs to be brought closer to or further away from the cabinet frame.
- For depth adjustment, locate the depth adjustment screws on the hinge.
- Use the Phillips screwdriver to turn these screws clockwise or counterclockwise accordingly.

