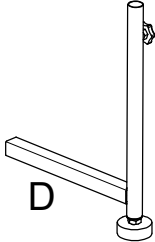
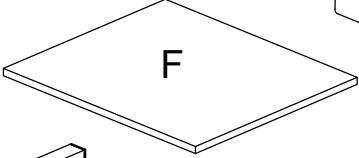
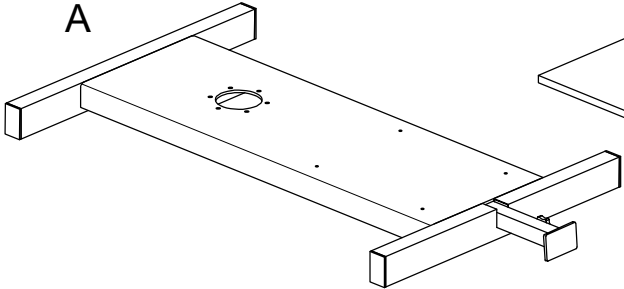
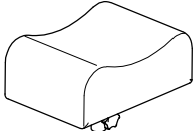
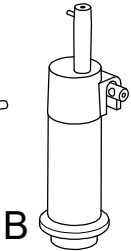
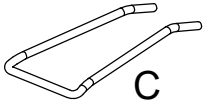
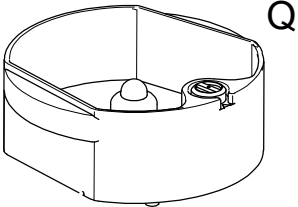
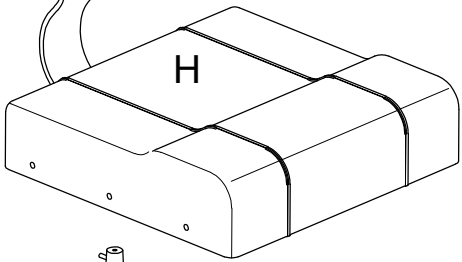
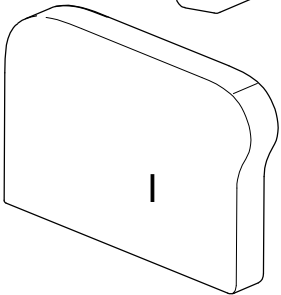
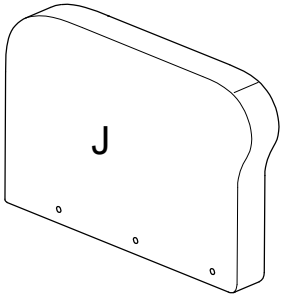
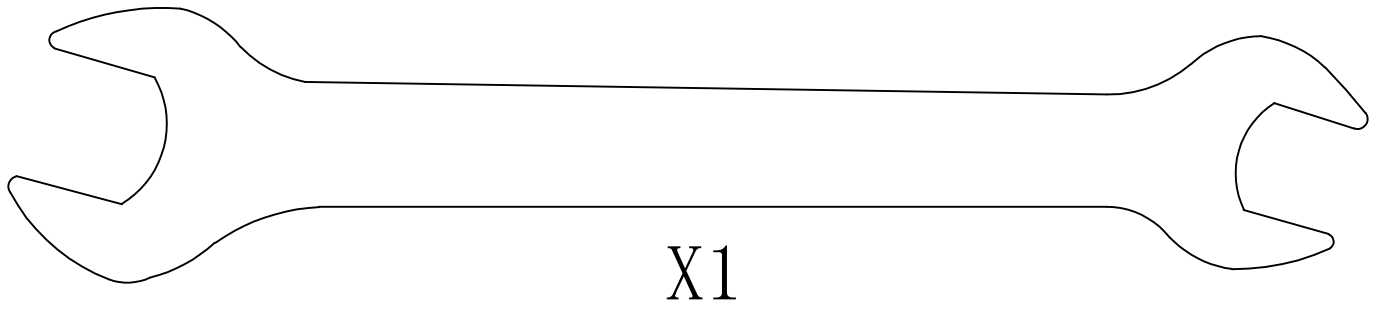
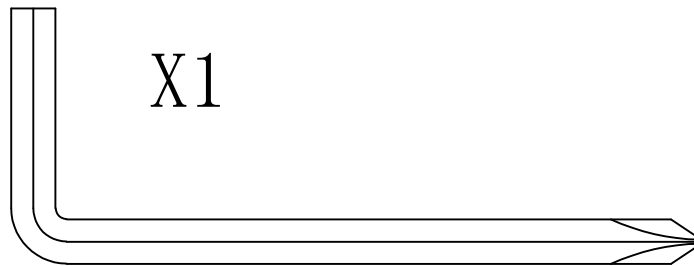


K





12-10 Open end wrench



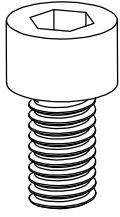
M4 Hexagon wrench with a cross



M5 Hexagon wrench with a cross

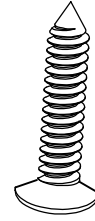


M6 Hexagon wrench with a cross



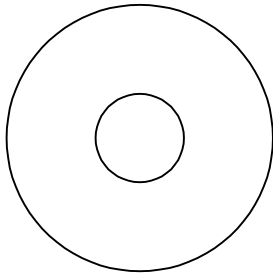
X6

M6x12 Hexagon
socket bolt



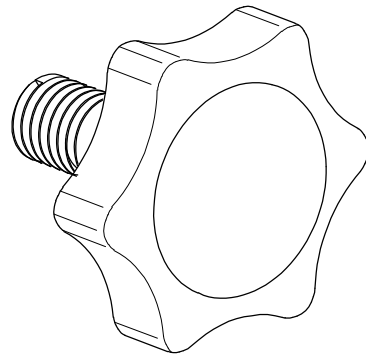
X4

φ 5x16 screw



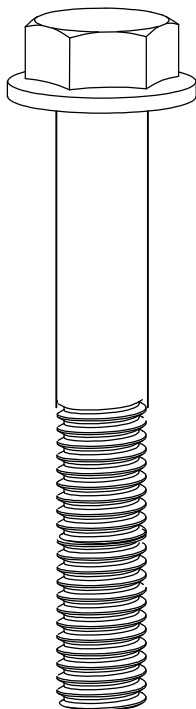
X6

φ 24x φ 8x2 gasket



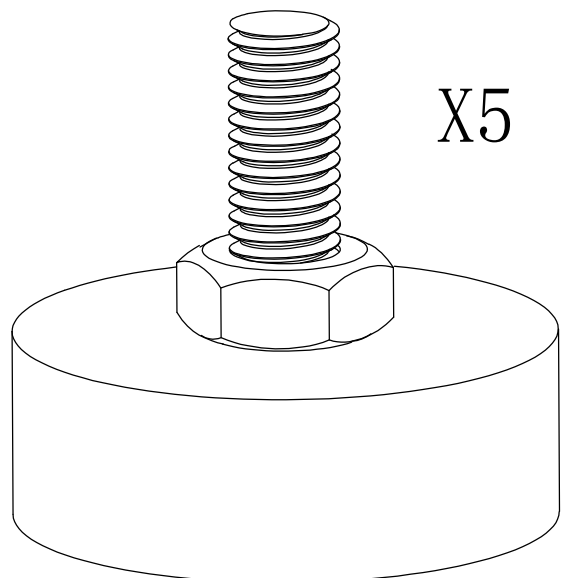
X2

M8 knob



X6

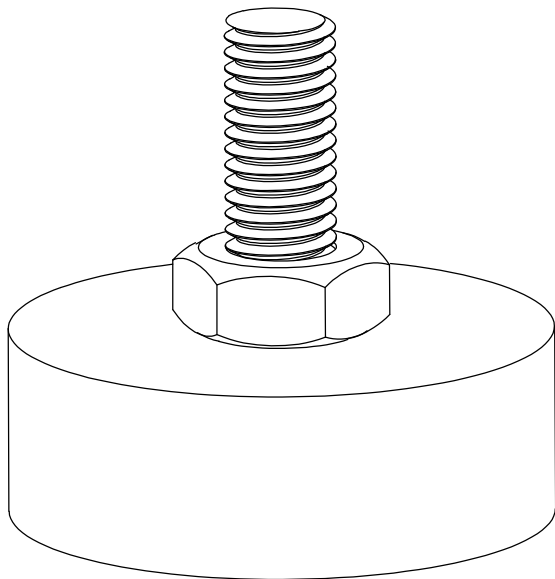
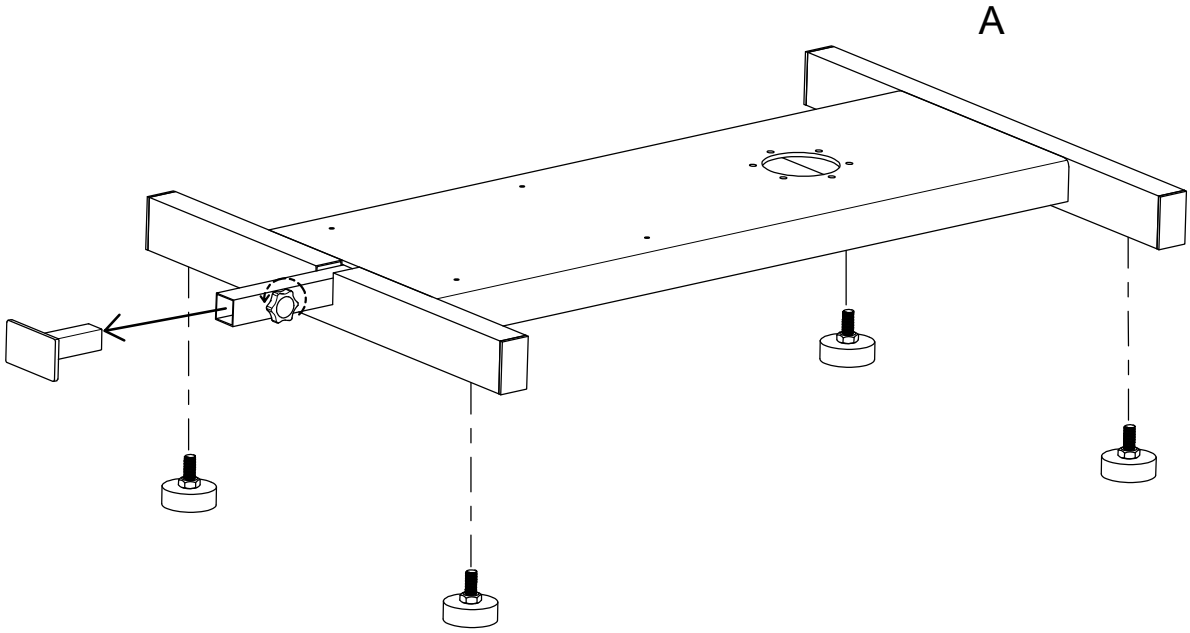
M8x55 bolt



X5

Foot pads

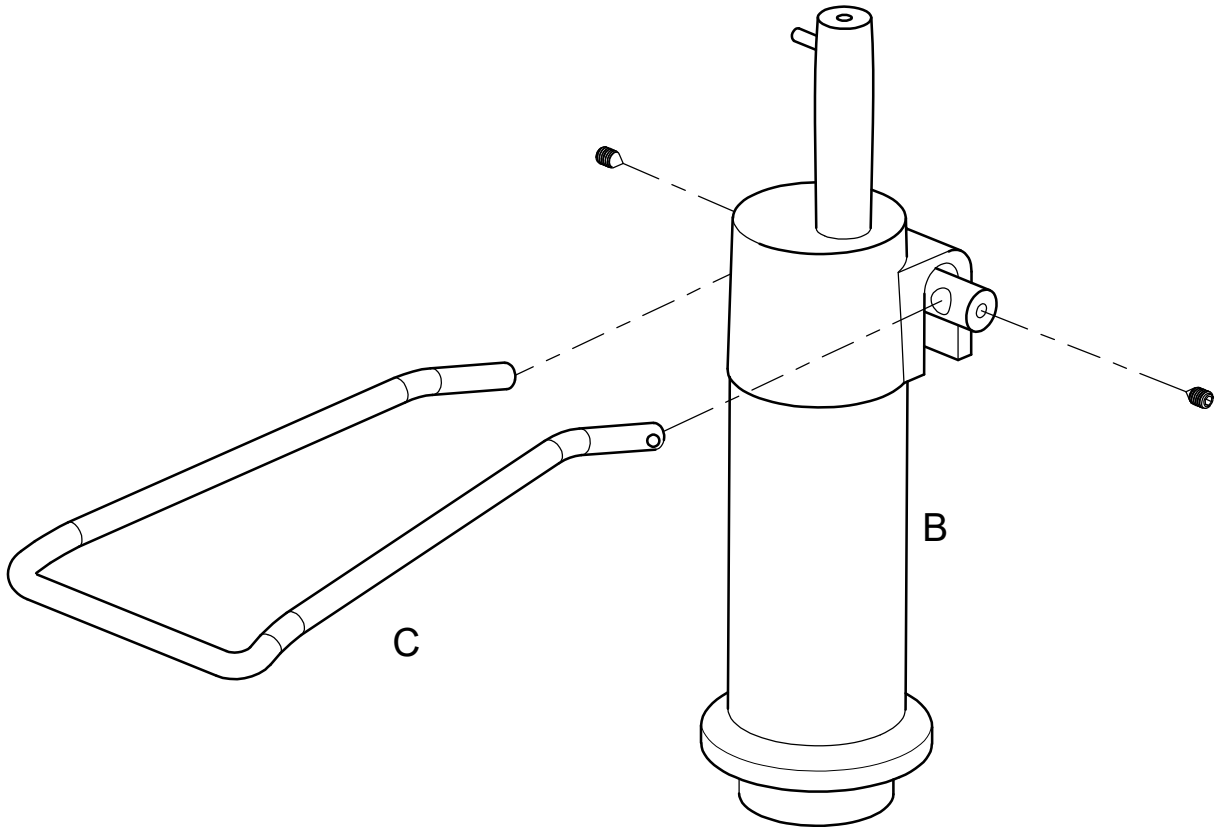
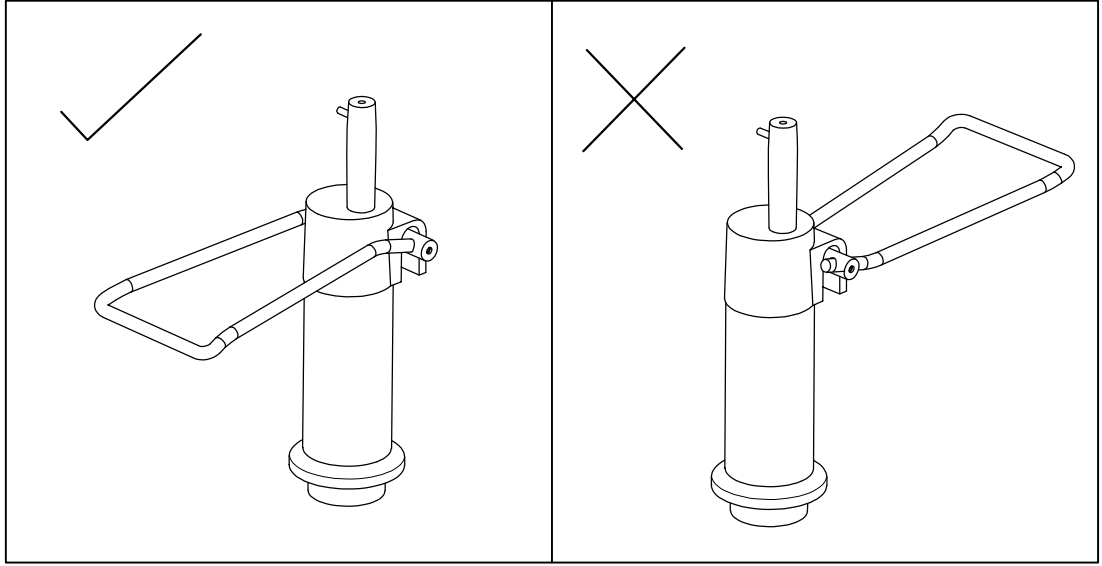
1



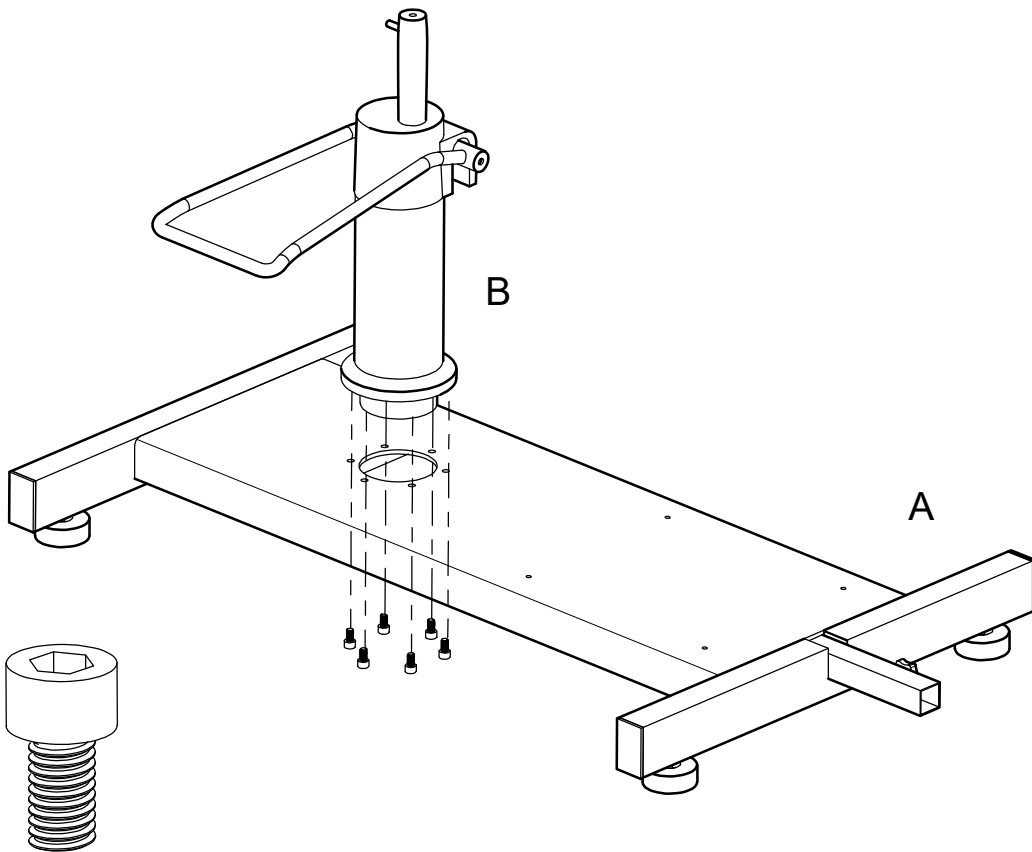
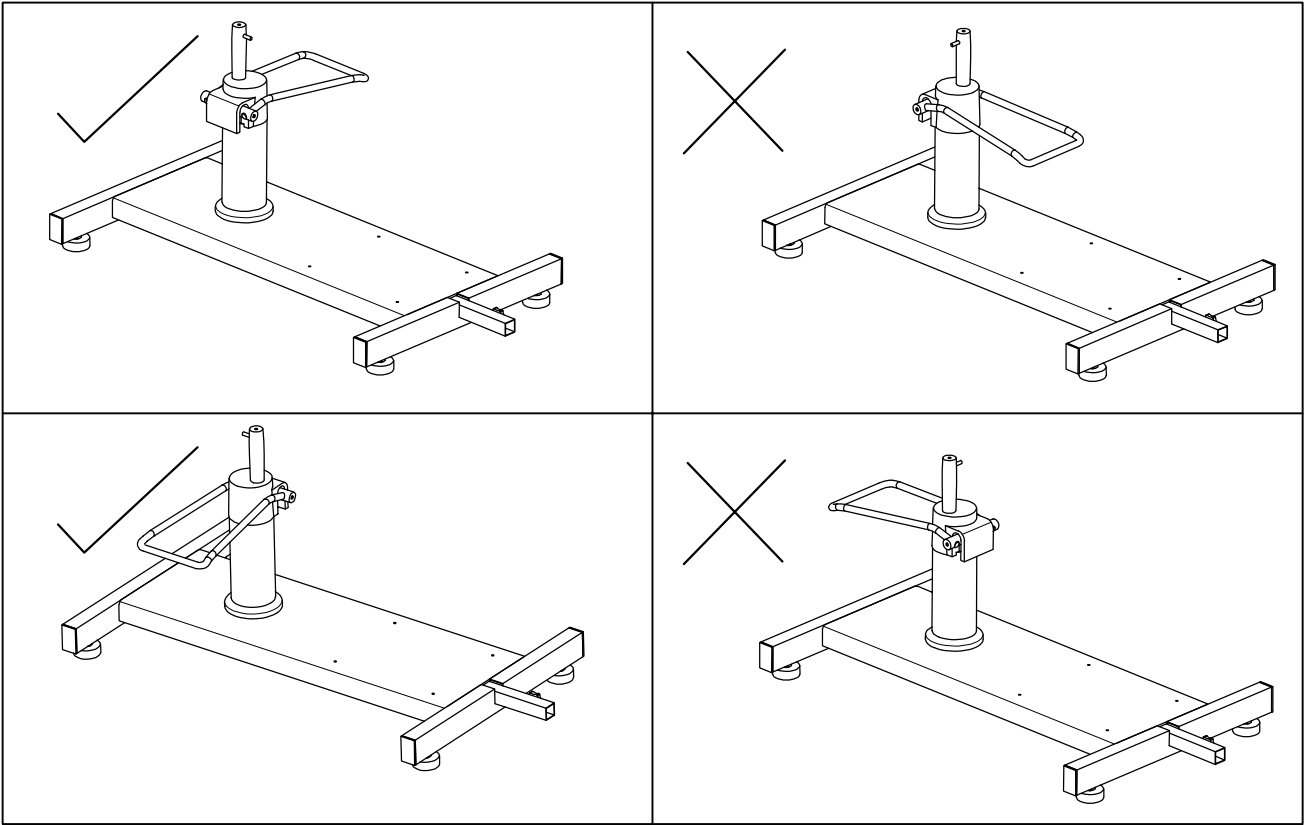
X4

Foot pads

2

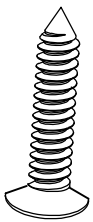
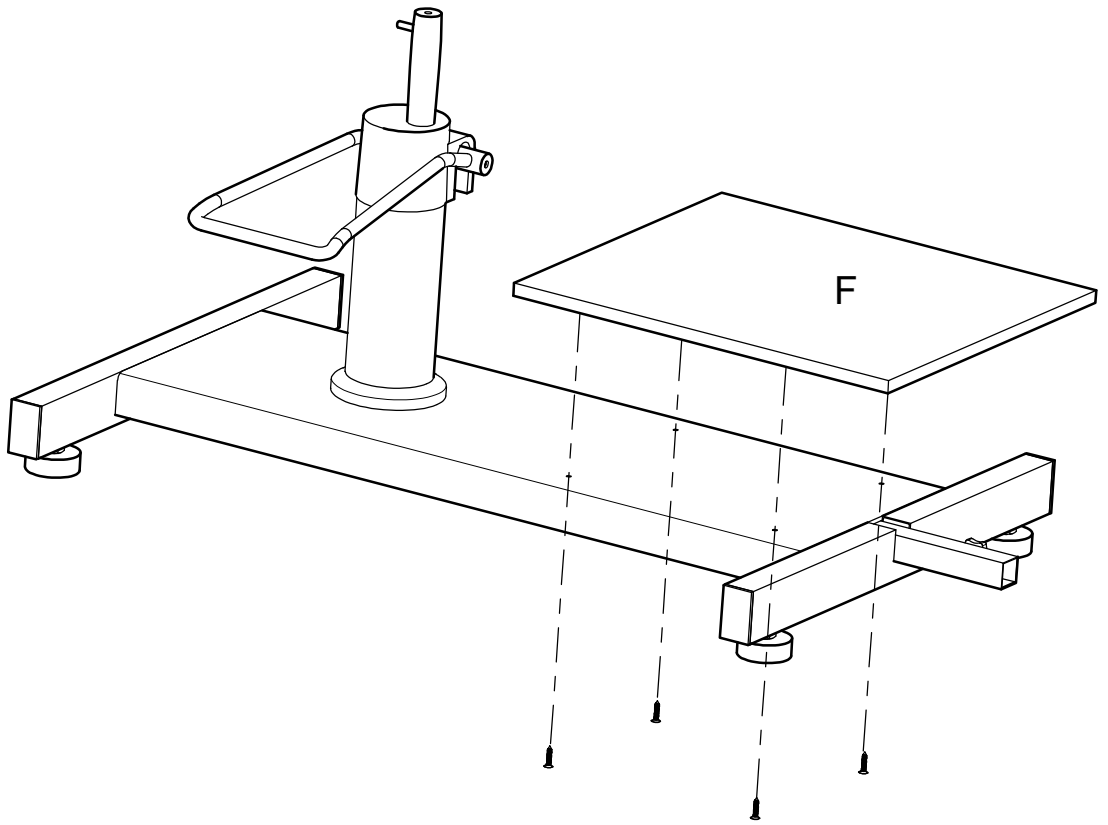


3



M6x12 Hexagon
socket bolt

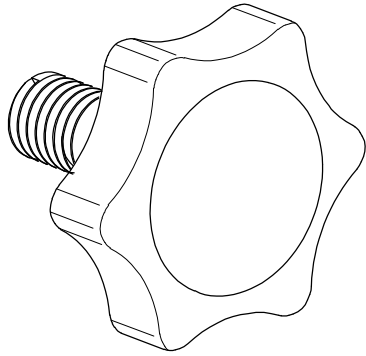
4



X4

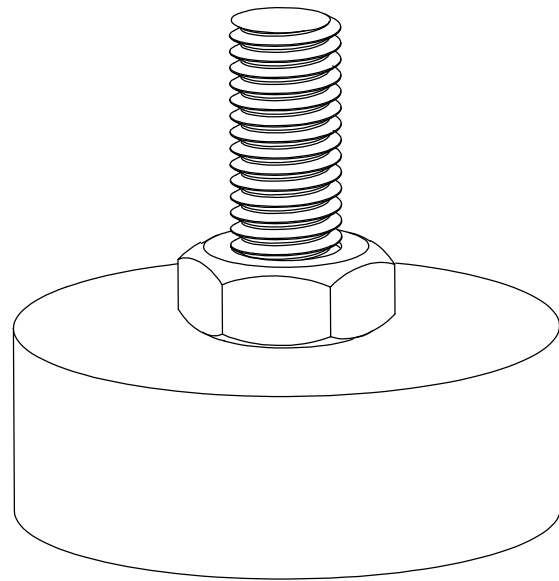
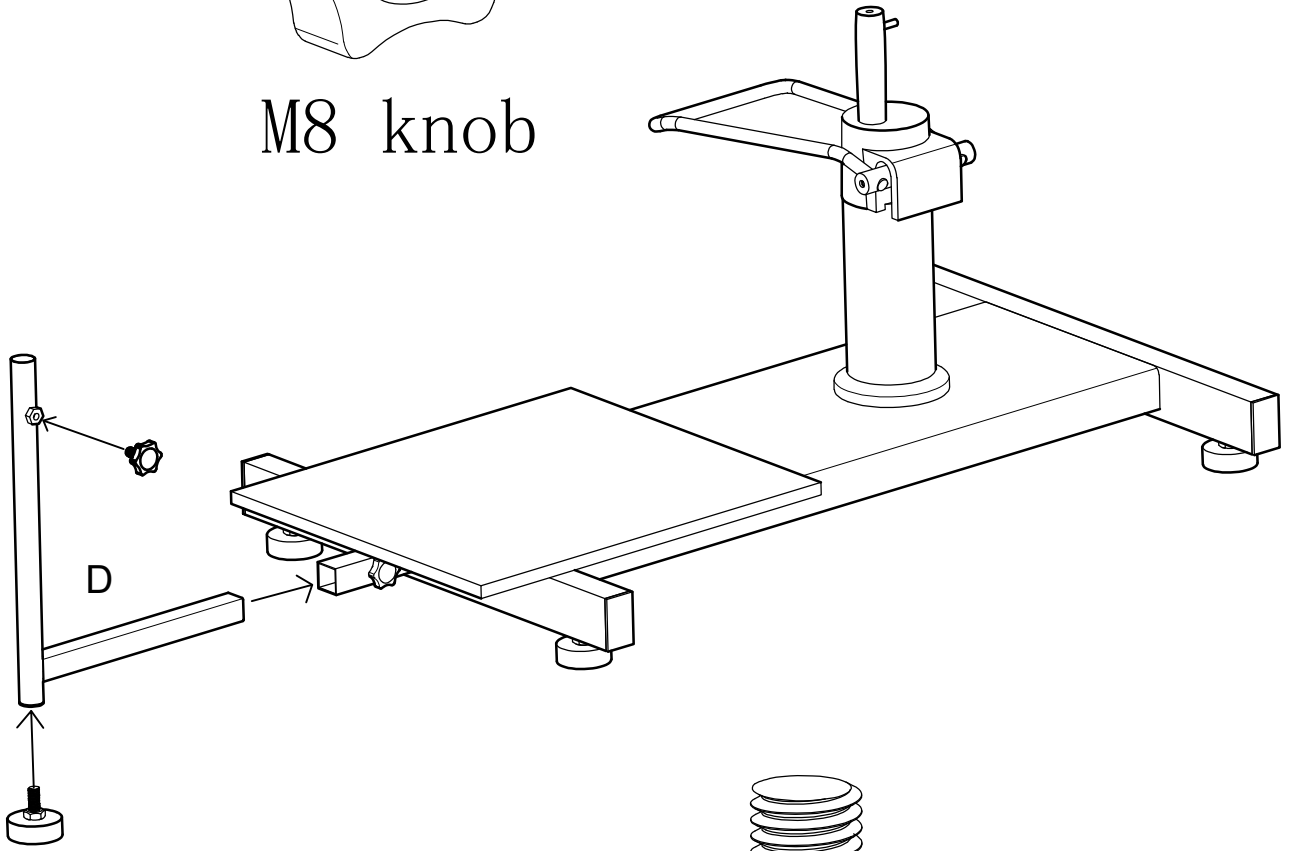
ϕ 5x16 screw

5



M8 knob

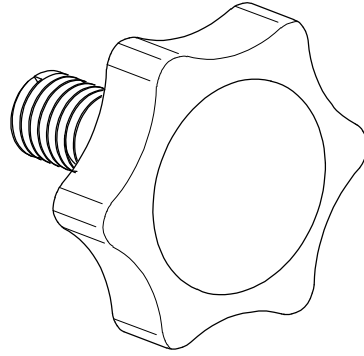
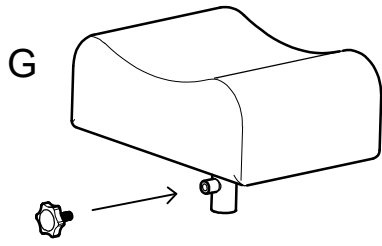
X1



X1

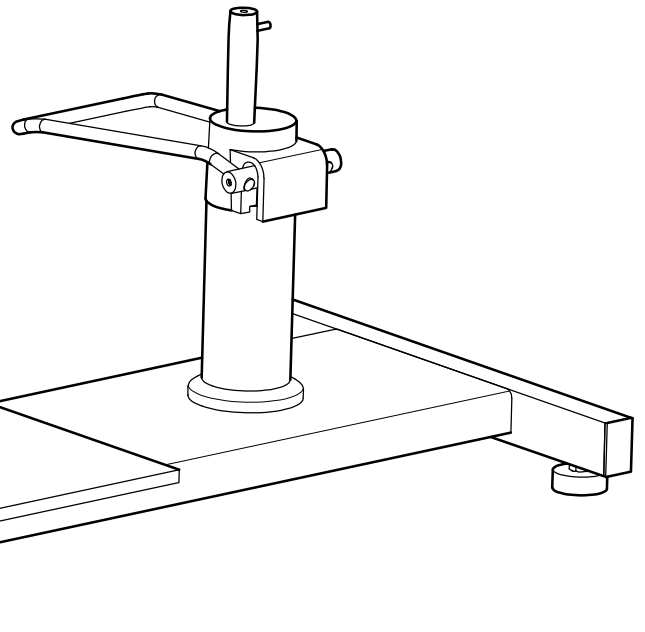
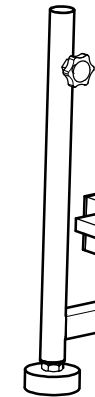
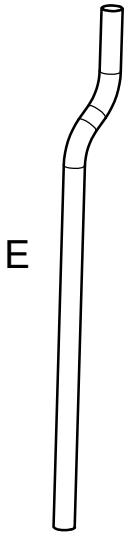
Foot pads

6

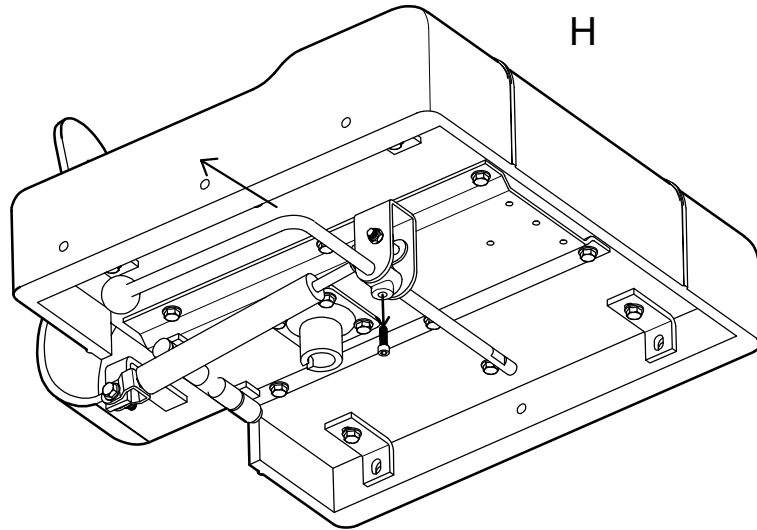


X1

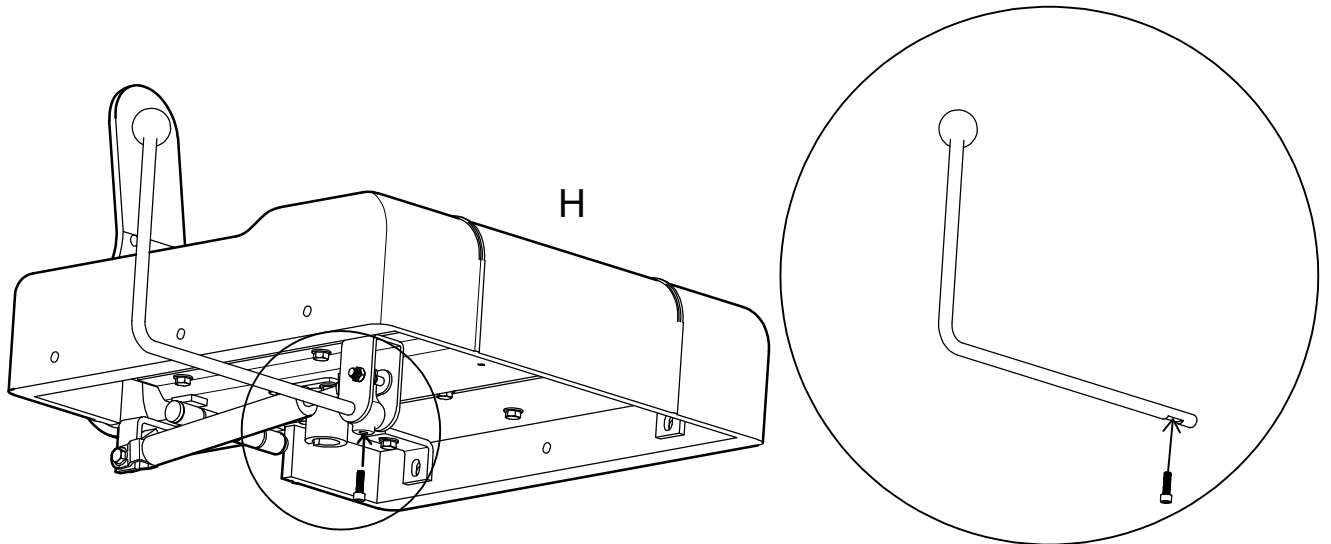
M8 knob



7

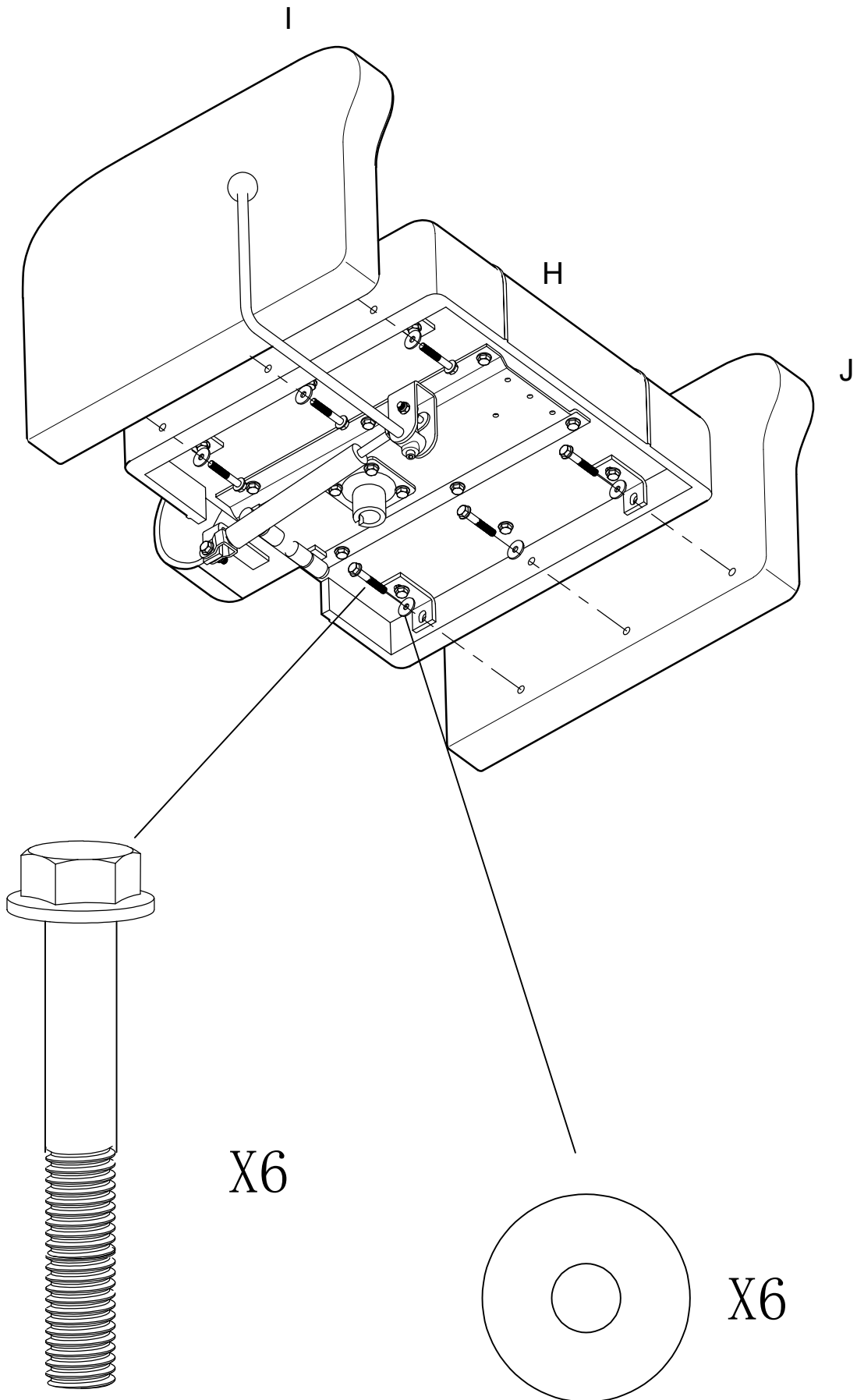


Loosen the bolts and pull out the handle.



The lever is moved to the appropriate position and the bolt is fixed on the card slot.

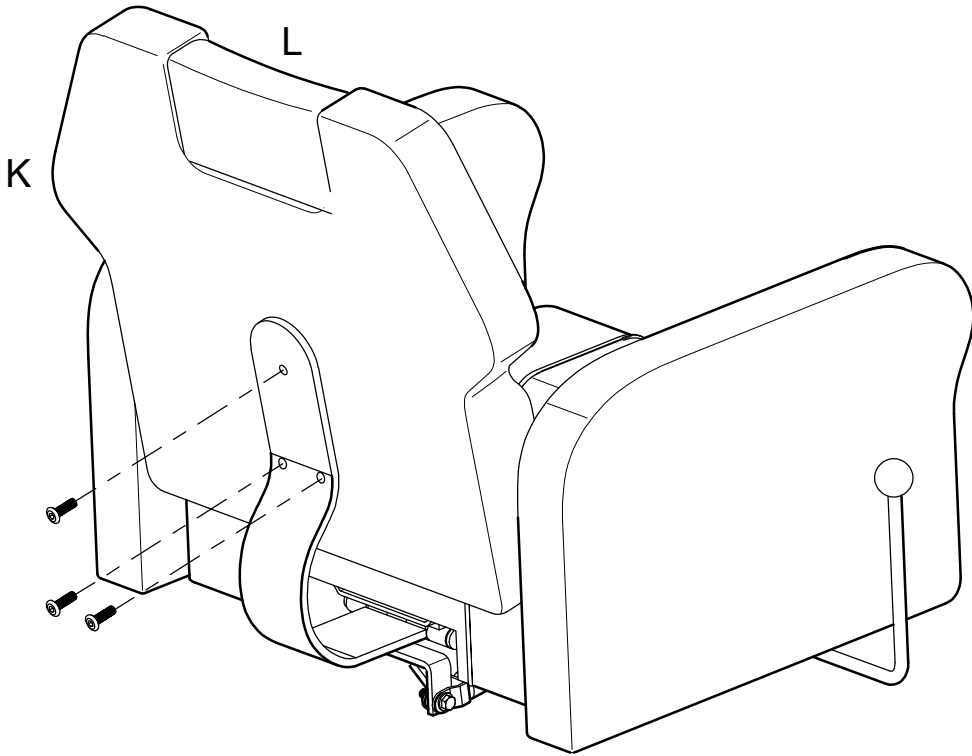
8



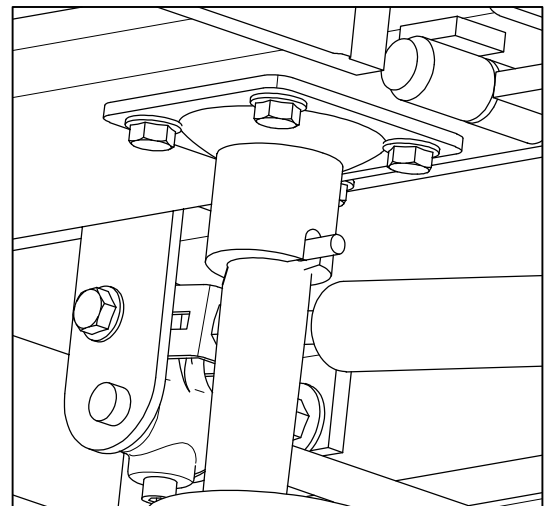
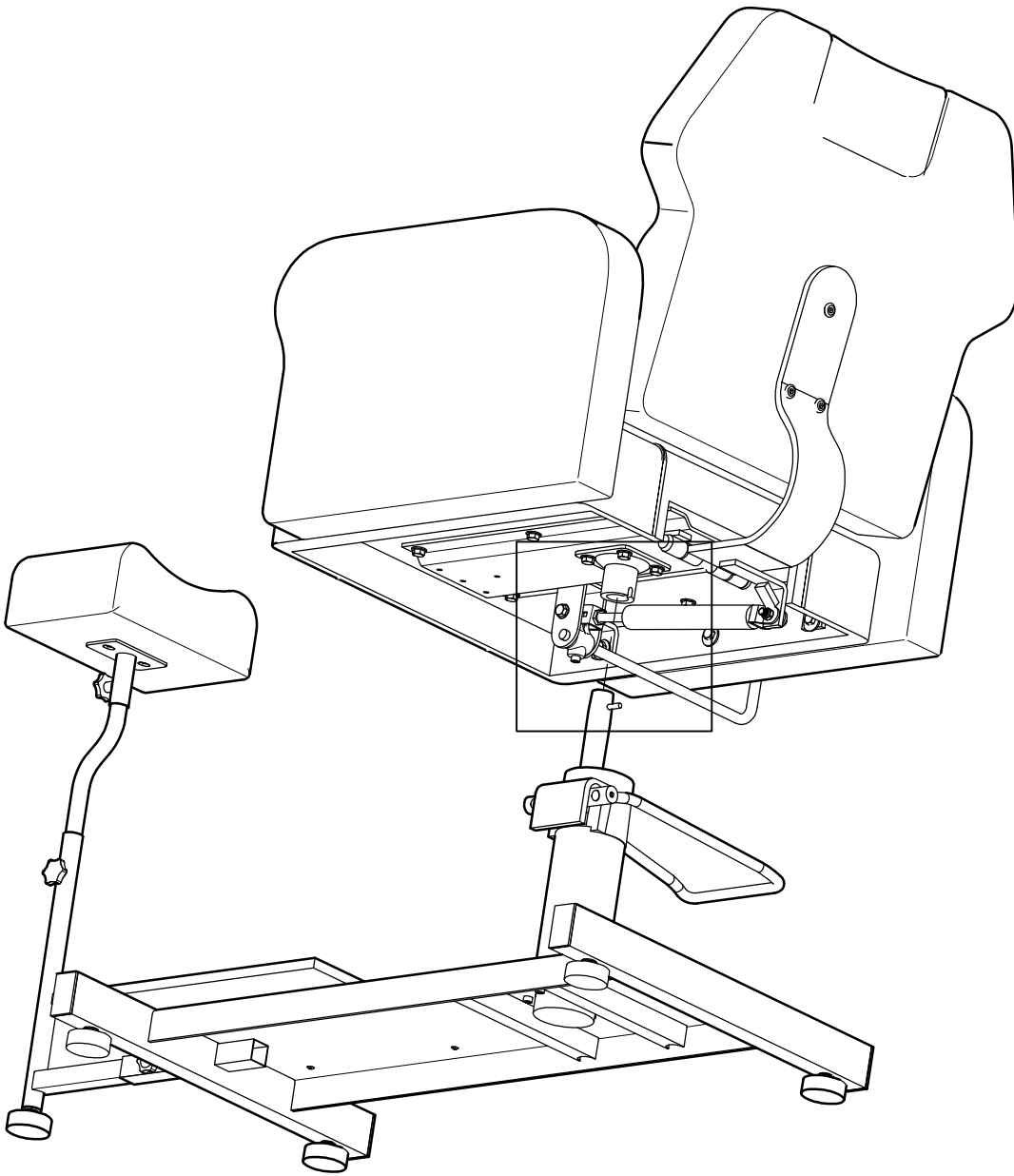
M8x55 bolt

$\phi 24 \times \phi 8 \times 2$ gasket

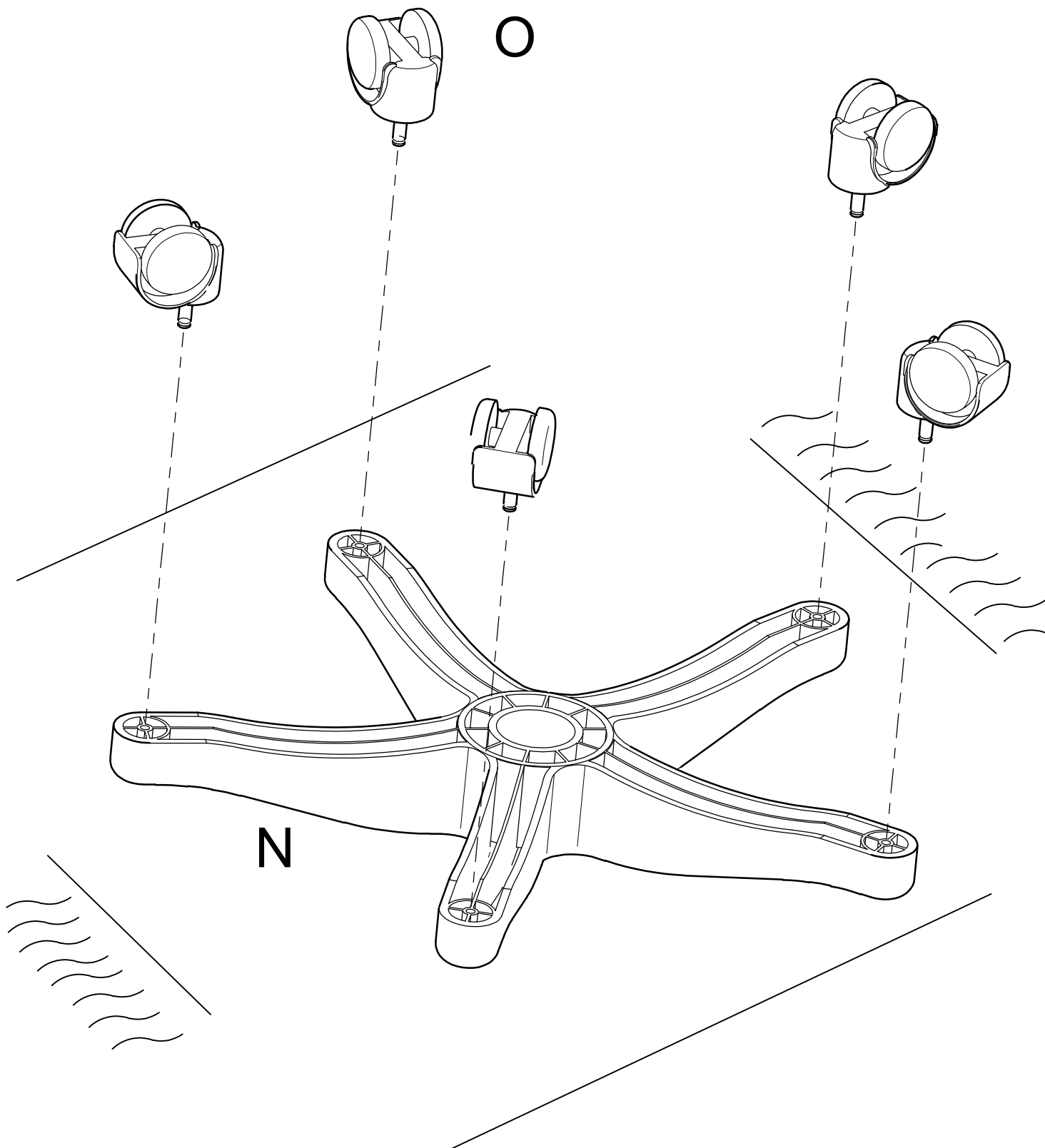
9



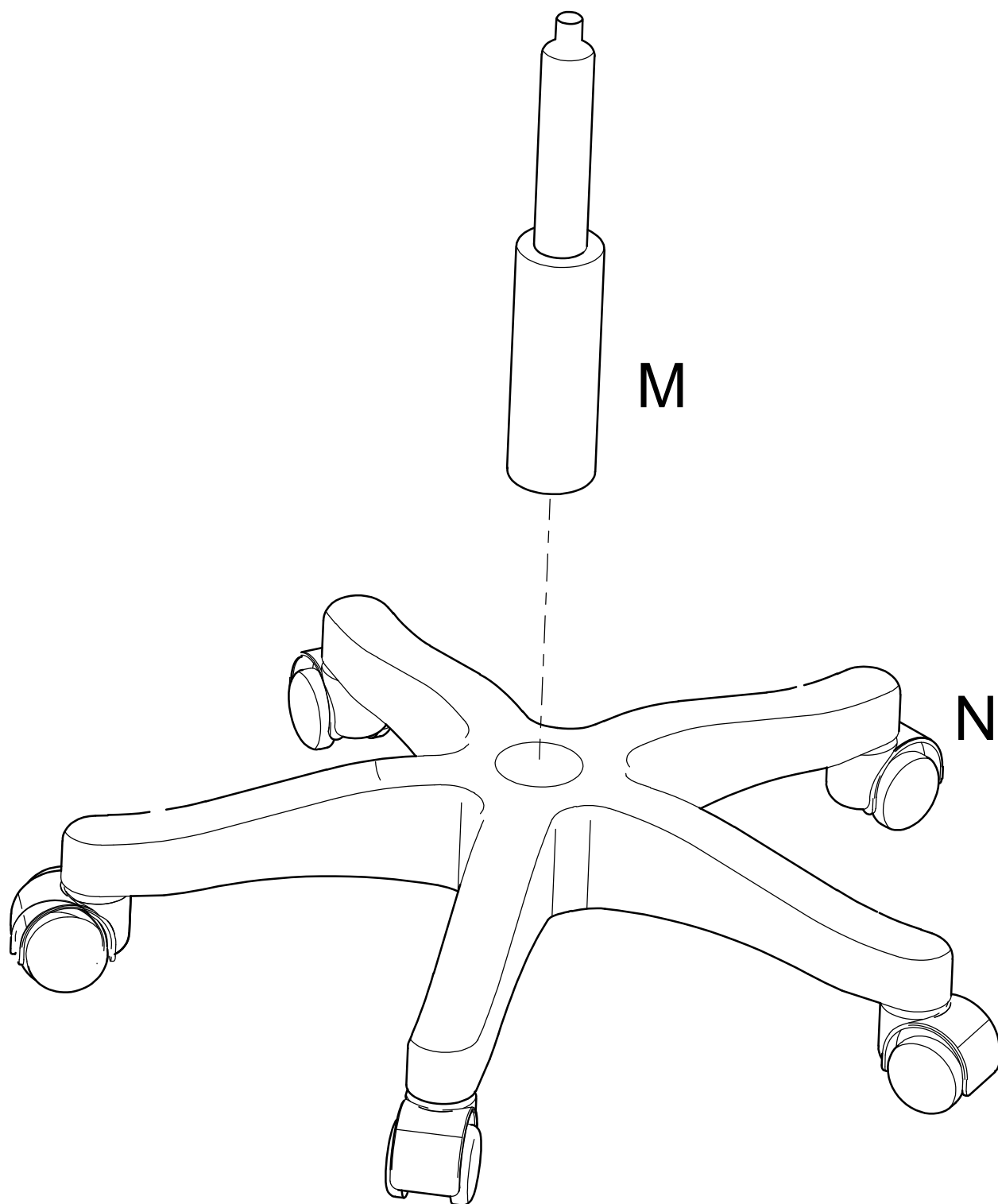
10



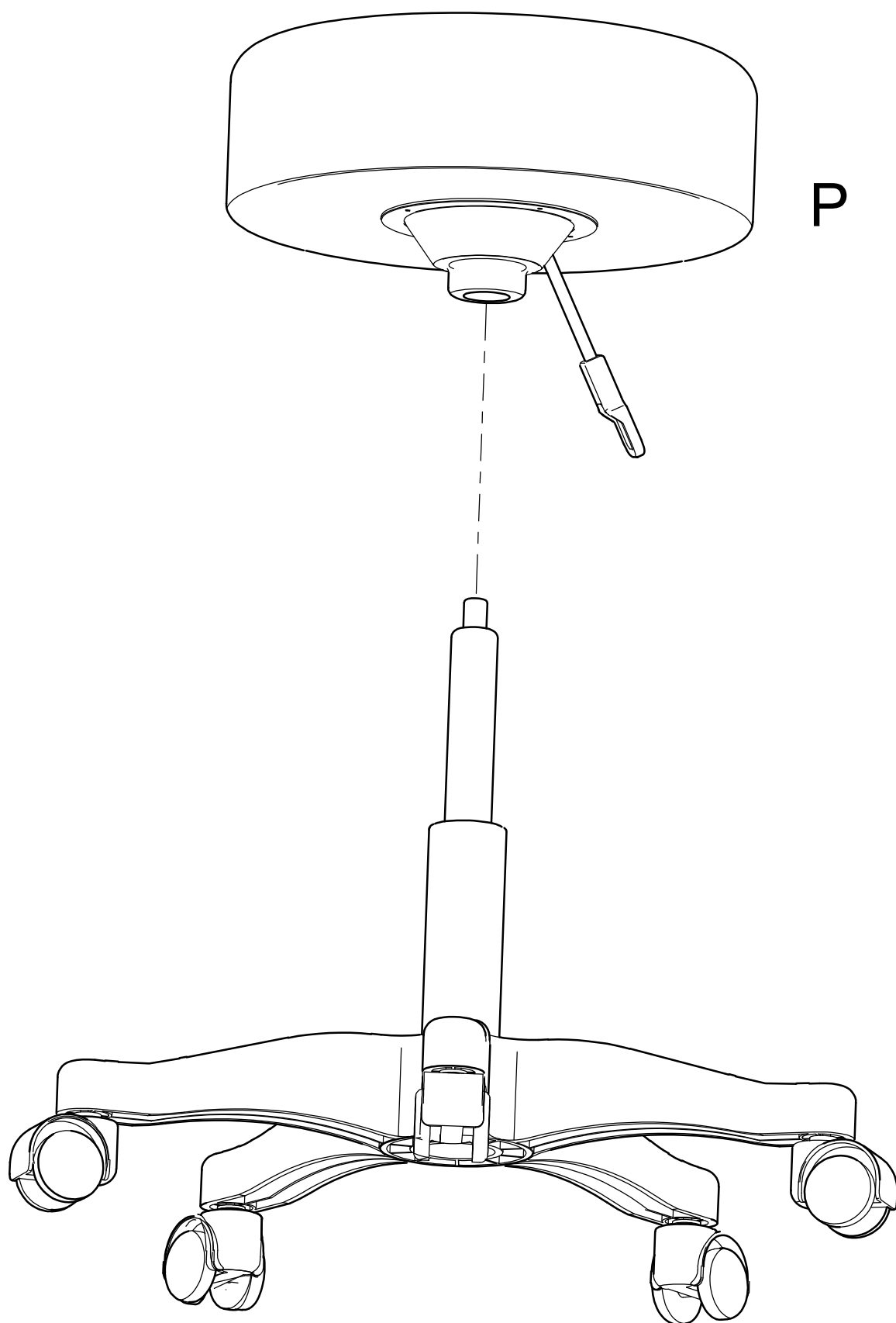
11



12



13



14

