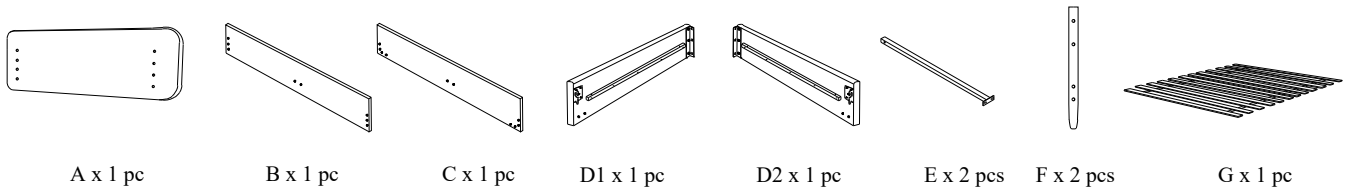


# HEADBOARD SET ASSEMBLY INSTRUCTION (TOTAL 1 BOX)

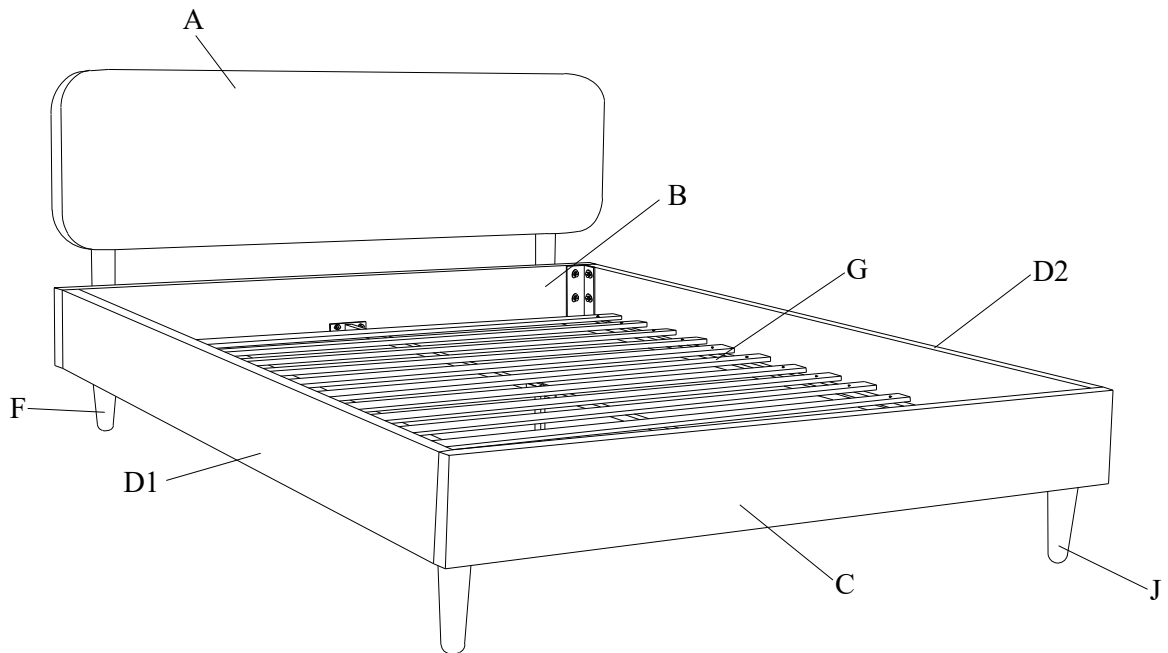


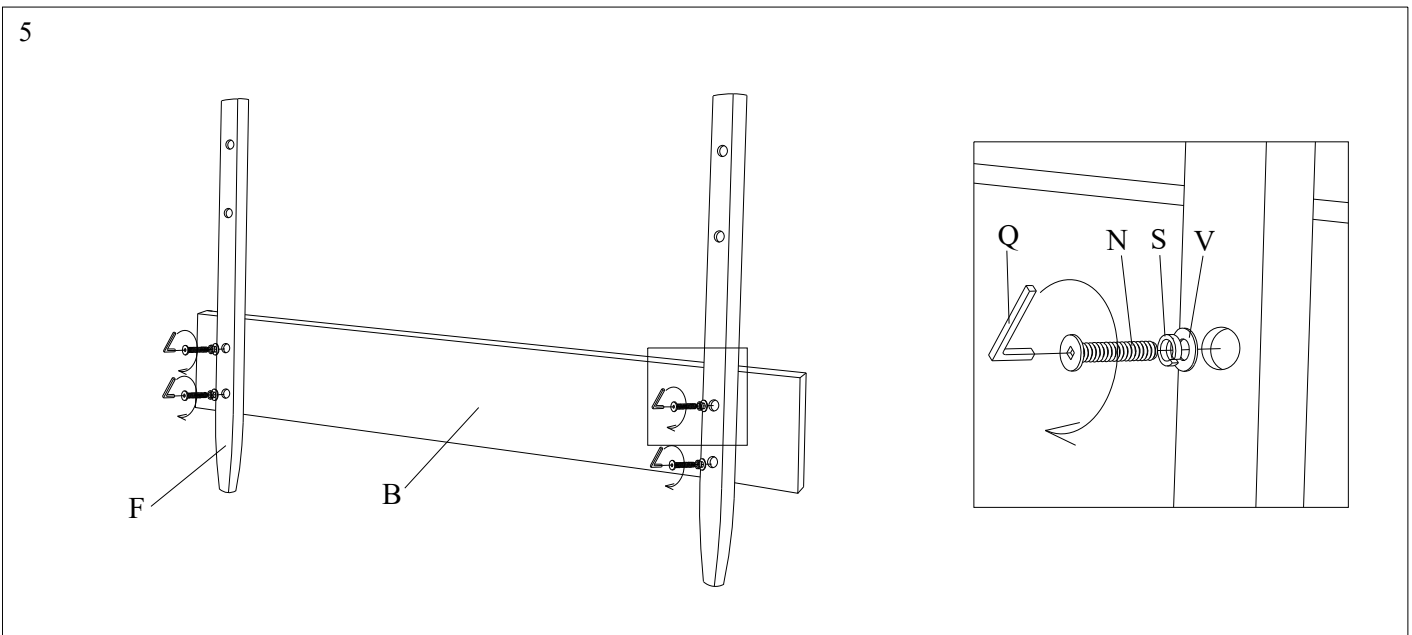
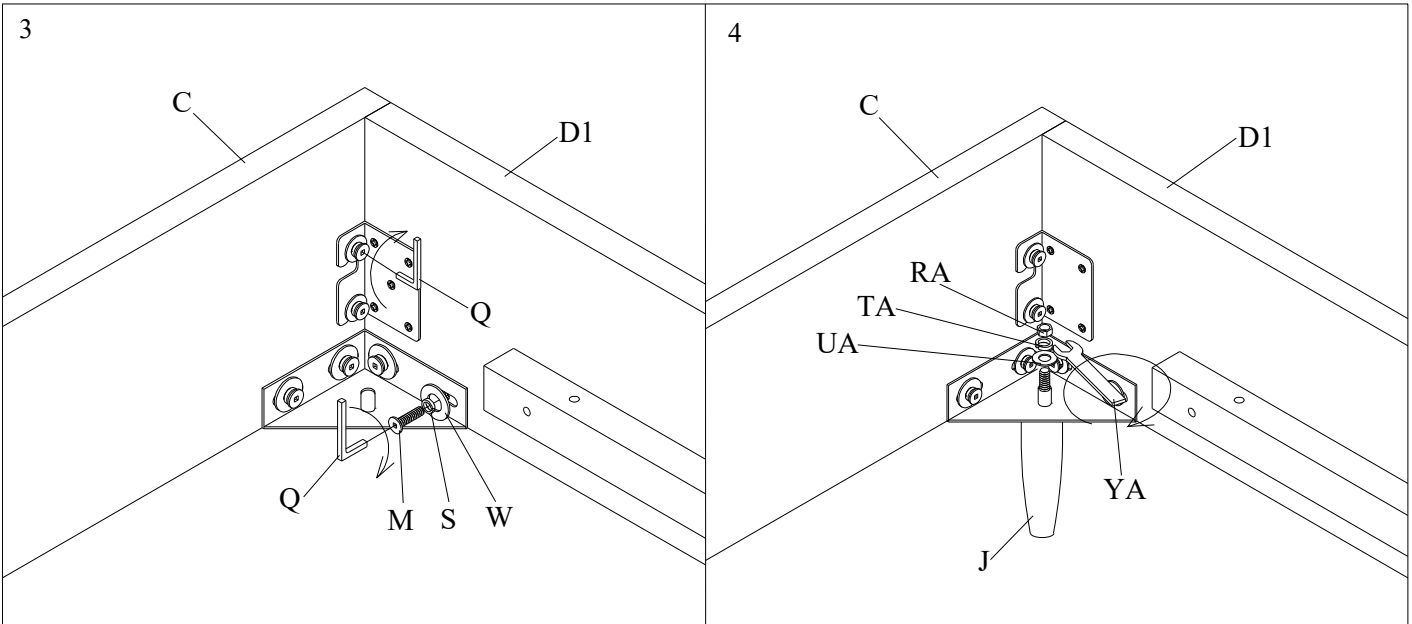
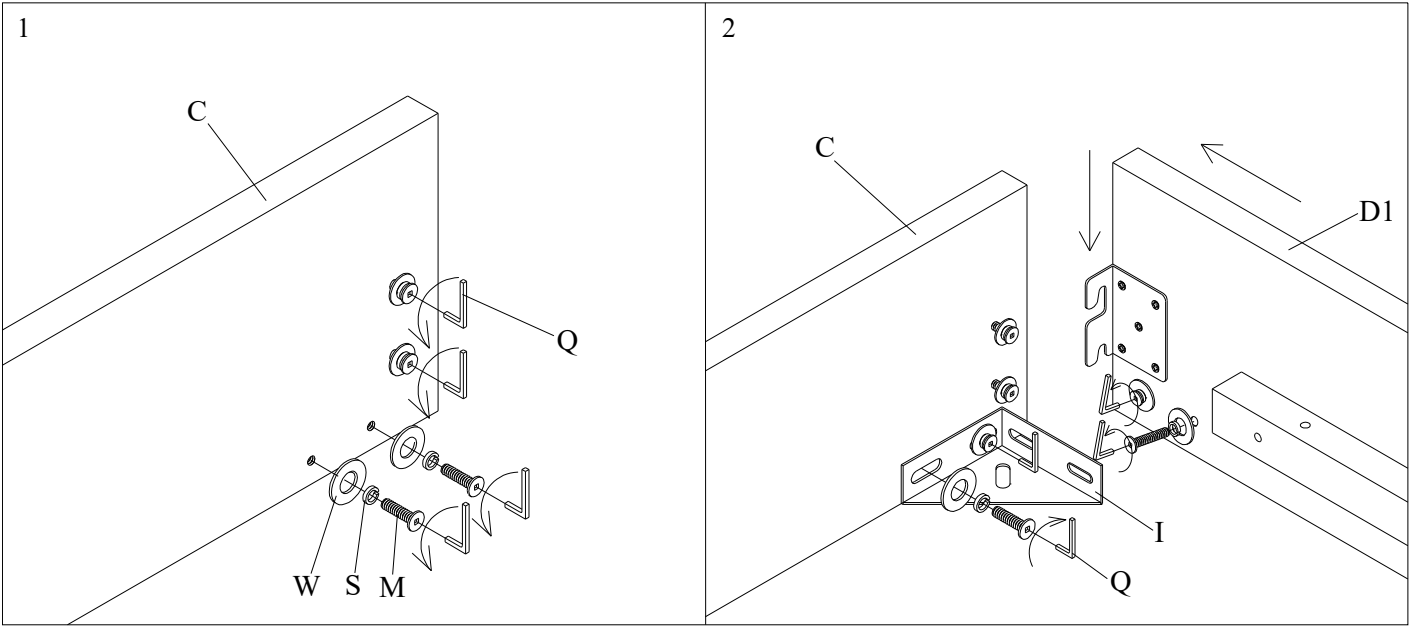
Please read over the instructions, it will be a time-saver in the long run.

Note: Before assembly, please be sure to work on a soft flat surface to avoid any damage to the finish.

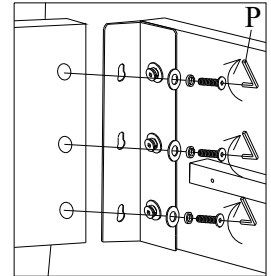
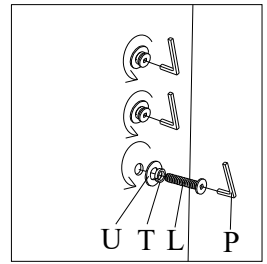
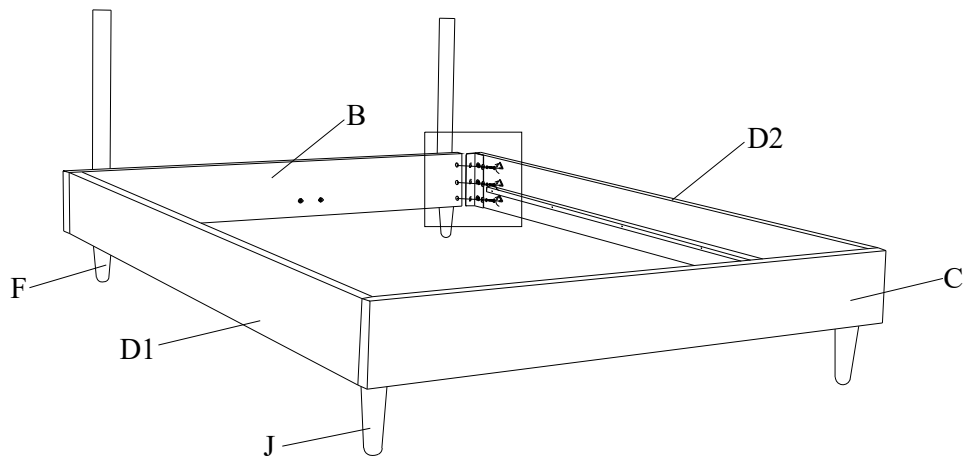
Please leave bolts loosened until all bolts are placed before tightening completely.

Part#	Picture	Description	QTY	Location	Part#	Picture	Description	QTY	Location
H		Center leg	1	Embossed film wrap	S		Spring washer Ø8	12	Hardware pack
I		Triangle connection piece	2	Embossed film wrap	T		Spring washer Ø6	6	Already in place
					TA		Spring washer Ø10	2	Hardware pack
J		Front legs	2	Embossed film wrap	U		Flat washer Ø6x25mm	6	Already in place
K		Wooden pegs	8	Plastic bag	UA		Flat washer Ø10x25mm	2	Hardware pack
L		Bolt Ø6x30mm	6	Already in place	V		Flat washer Ø8x18mm	8	Hardware pack
M		Bolt Ø8x30mm	16	Already in place	W		Flat washer Ø8x22mm	16	Already in place
N		Bolt Ø8x60mm	8	Hardware pack	X		Flat washer Ø8x25mm	4	Hardware pack
O		Bolt Ø8x70mm	2	Hardware pack	Y		Spanner Ø14	1	Hardware pack
P		"L" Wrenches Ø4	1	Hardware pack	YA		Spanner Ø17	1	Hardware pack
Q		"L" Wrenches Ø5	1	Hardware pack	Z		Screws 4x30mm	24	Hardware pack
R		Nut Ø8	2	Hardware pack					
RA		Nut Ø10	2	Hardware pack					



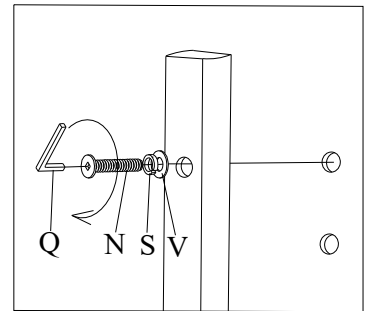
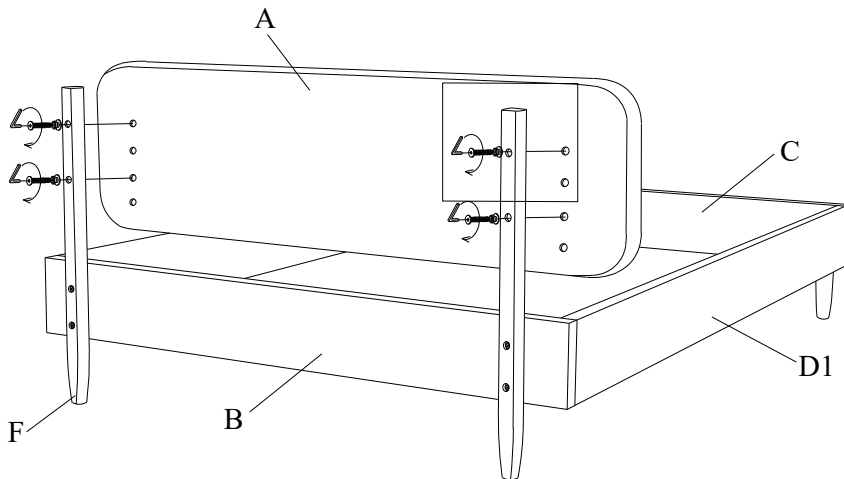


6



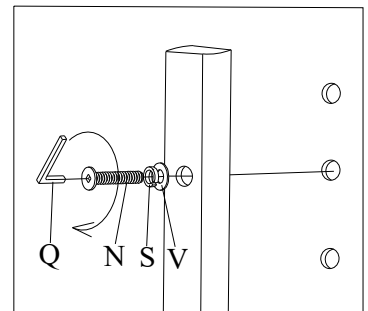
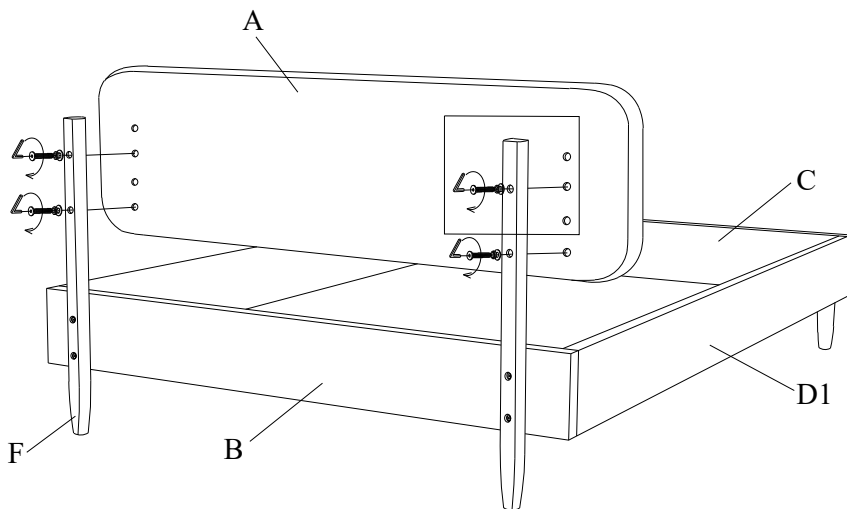
7

Height 1: Mattress thickness suitable for 8"-10"

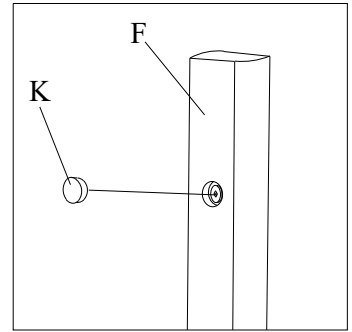
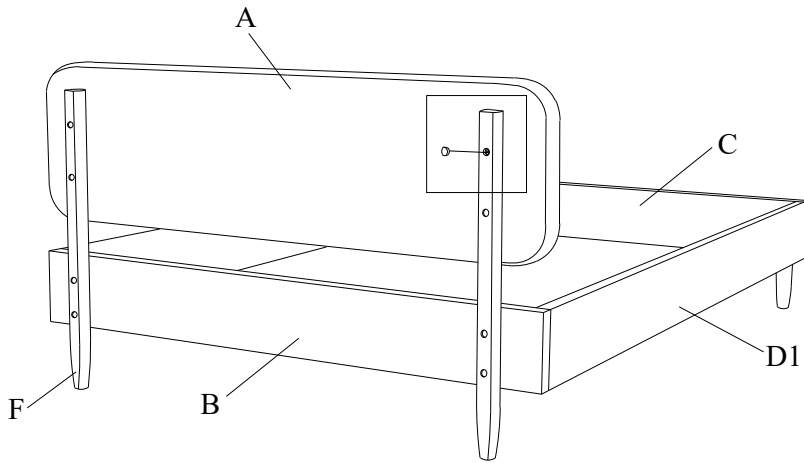


8

Height 2: Mattress thickness suitable for 10"-13"

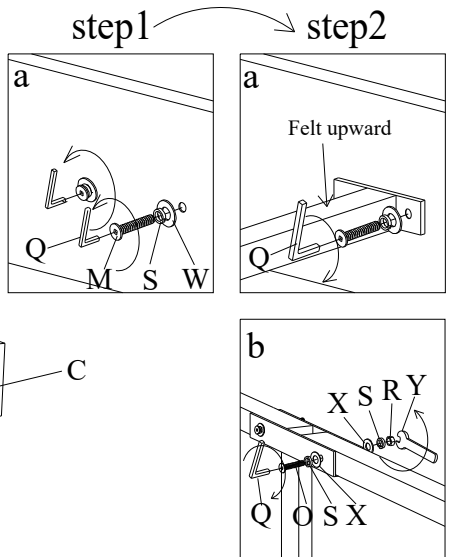
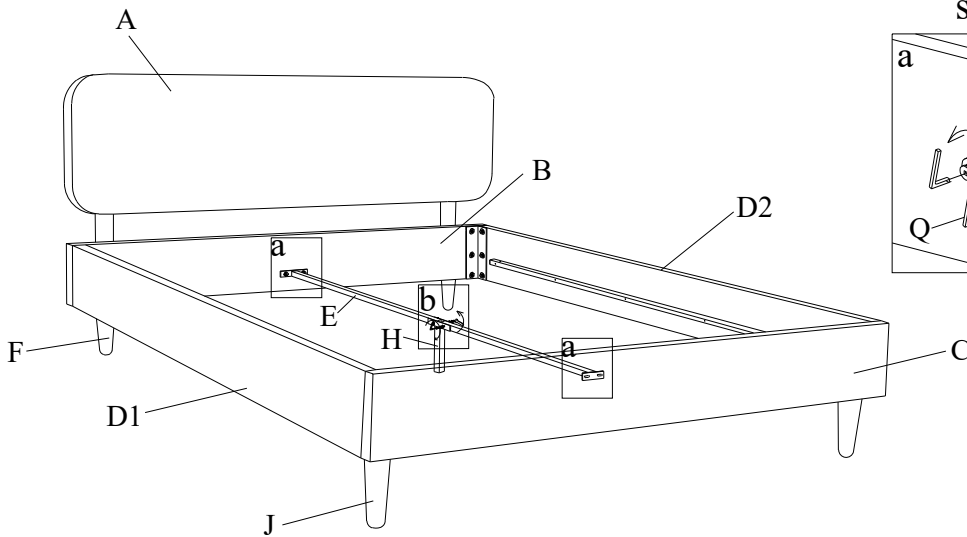


9

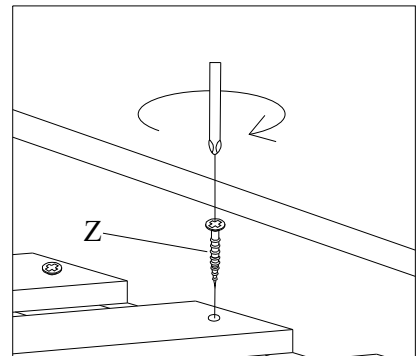
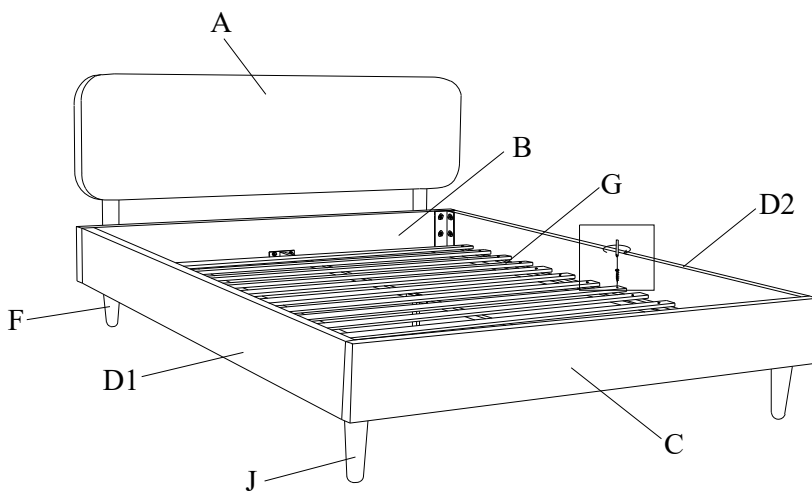


- Do not push the wood plug all the way into the bolt hole
- you can use a small nail to help remove the plug from the bolt hole if needed

10



11



Screwdriver required, not included