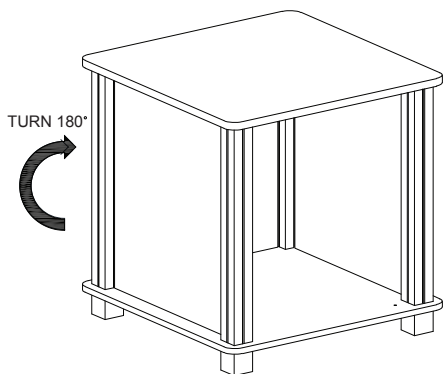
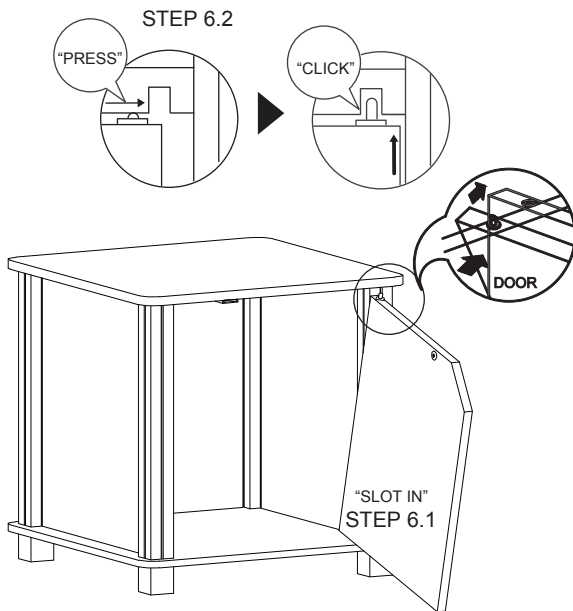


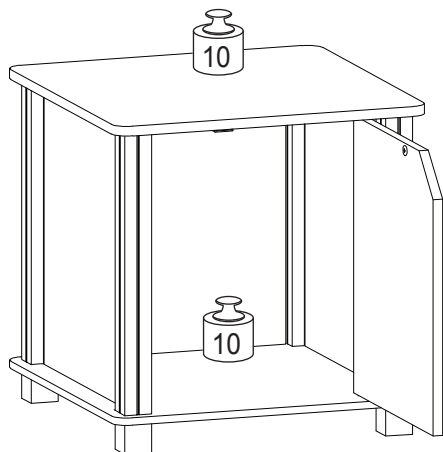
### STEP 5



### STEP 6



### Recommended Maximum Weight



\*Unit in Pound(lbs)

#### **WARNING:**

>This unit has been designed to support the maximum loads shown. Exceeding these load limits could cause sagging, instability, product collapse, and/or serious injury.

>DO NOT allow children to climb on unit.

>Put heavier items on lower shelves.

## Assembly Instruction

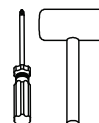
End Table with Storage

00:25

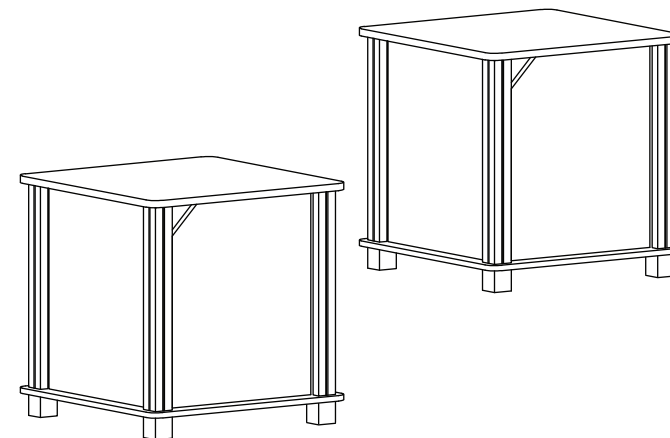
Approx. 25 minutes








Recomm. 1 Person



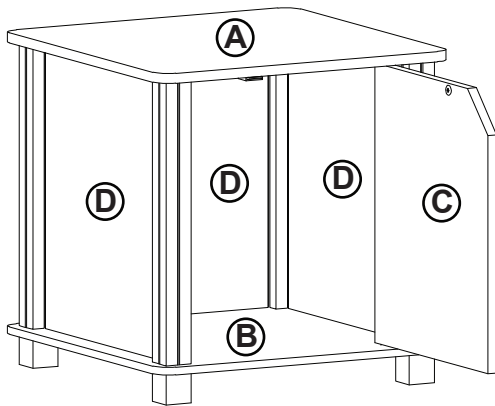
Tool Required



# HARDWARE AND PART LIST

NO	HARDWARE LIST	QTY	NO	PART LIST	QTY
1	SQUARE LONG POLE W/ GROOVE 	8 PCS	A	TOP PANEL	2 PCS
2	SQUARE LEG 	8 PCS	B	BOTTOM PANEL	2 PCS
3	MAGNET 	2 PCS	C	DOOR PANEL	2 PCS
4	FLAT HEAD SCREW 	2 PCS	D	SIDE PANEL	6 PCS
5	DOOR SPRING 	4 PCS			

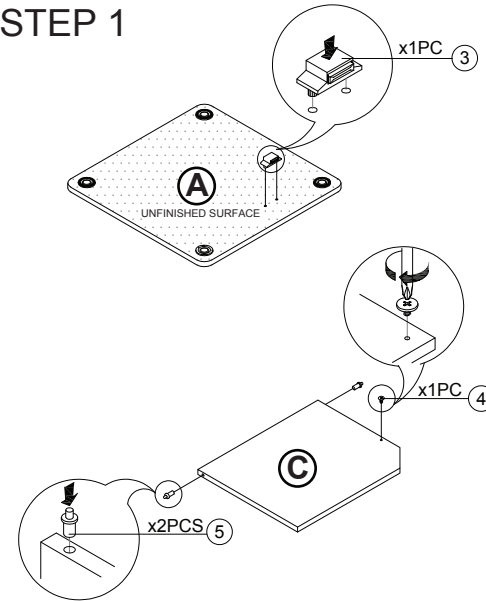
\*All Hardware & Part quantity are for two sets.



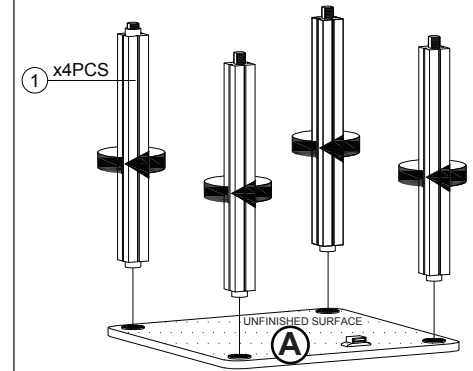
## USEFUL HINTS BEFORE YOU START:

1. Read each step carefully before starting.
2. It is important that each step is performed in correct order to avoid difficulties.
3. Identify, sort and count the parts before assembly.
4. Assemble your furniture on packaging cardboard to prevent scratch or damage.
5. Clean the product with mild cleanser using soft damped cloth. Do not use harsh or abrasive cleanser.
6. Using incompatible hardware might cause damage to product.

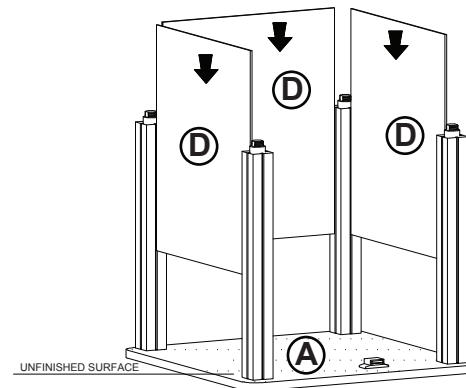
## STEP 1



## STEP 2



## STEP 3



## STEP 4

