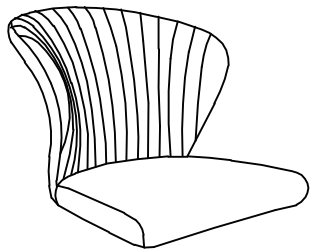
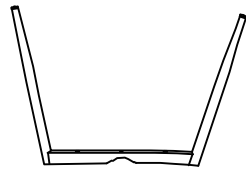


# ASSEMBLY INSTRUCTION

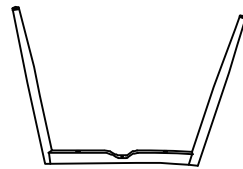
① x 1



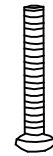
② x 1



③ x 1

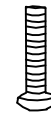


④ x 4



M6\*45MM

⑤ x 1

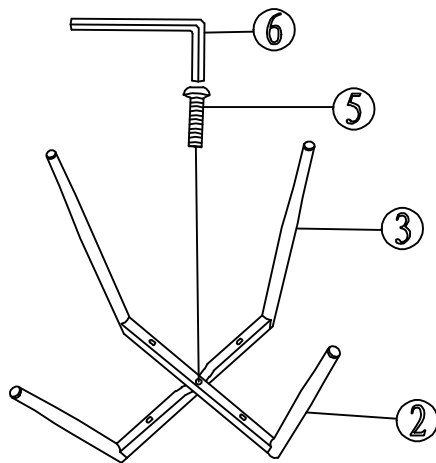


M6\*30MM

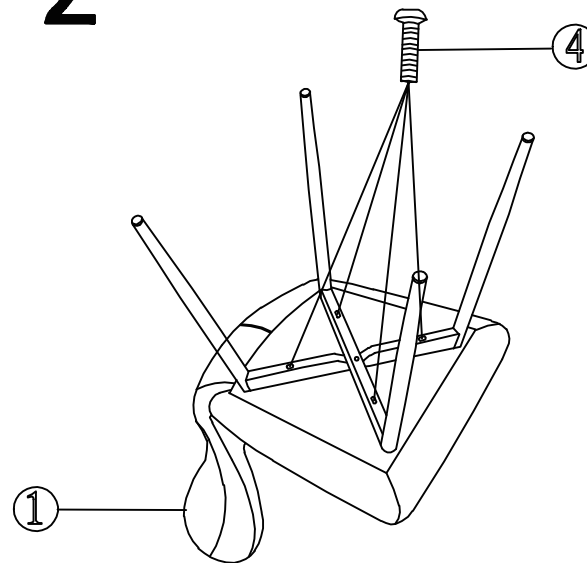
⑥ x 1



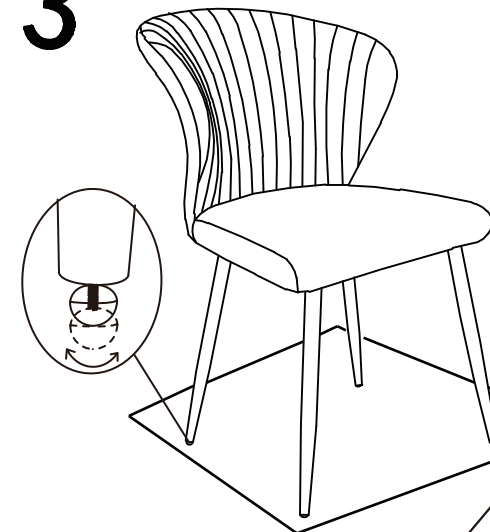
1



2



3



X1