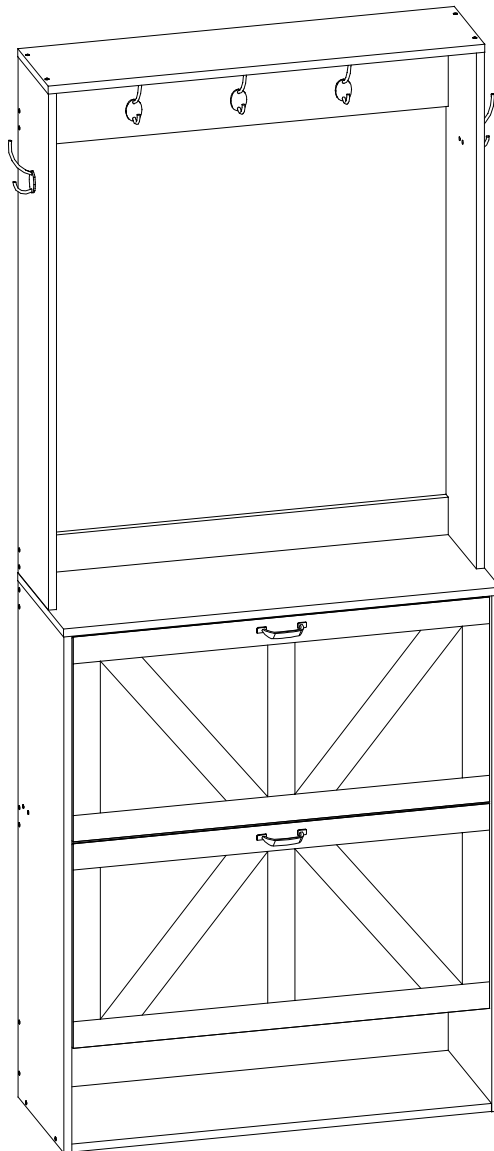


ASSEMBLY INSTRUCTION

MODEL#WB004

Thank you for purchasing the quality product. Be sure to check all packing material carefully for small parts which may have come loose inside the carton during shipment. Separate, identify and count all parts and metal hardware. Compare with all parts list to be sure all parts are present. If any part(s) are missing or damaged, please contact your local furniture dealer. For efficient and speedy service, please indicate the model number and code letter of part(s) needed.

*****Do not fully tighten screws until fully assembled*****

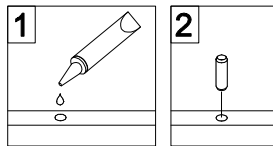


Attention:

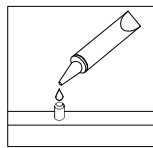
*****Some number parts listed on the instruction sheet may not be in parts bag as they may already be assembled. Carefully check parts and packing materials prior to ordering replacements.**

General Assembly Guidelines

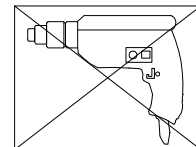
- I. Ensure that all parts and hardware are available before beginning assembly.
- II. Follow each step carefully to ensure the proper assembly of this product.
- III. Two people are recommended for ease in the assembly of this product.
- IV. The three main types of hardware used to assemble this product are: wood dowels, screws and bolts.
- V. The provided glue is to secure wood dowels in place. When first inserting dowels, locate the appropriate hole for the dowel, place a small amount of glue in the hole and insert the dowel. Wipe away excess glue immediately.



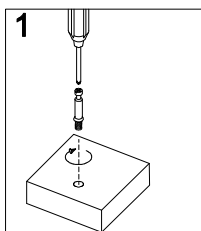
In future assembly steps when dowels are necessary to attach assembly parts together, place a small amount of glue on the end of the dowel before attaching parts together. Wipe away excess glue immediately.



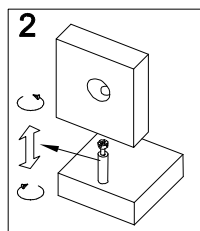
- VI. Power tools should not be used to assemble this product.



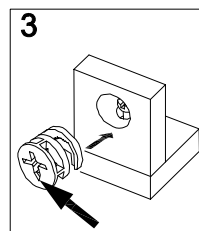
- VII. Cam bolt and Cam lock Assembly instruction.



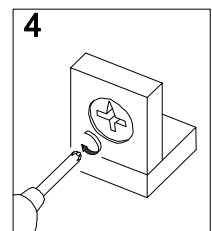
1
Cam bolt vertical installation.



2
Cam bolt is adjustable

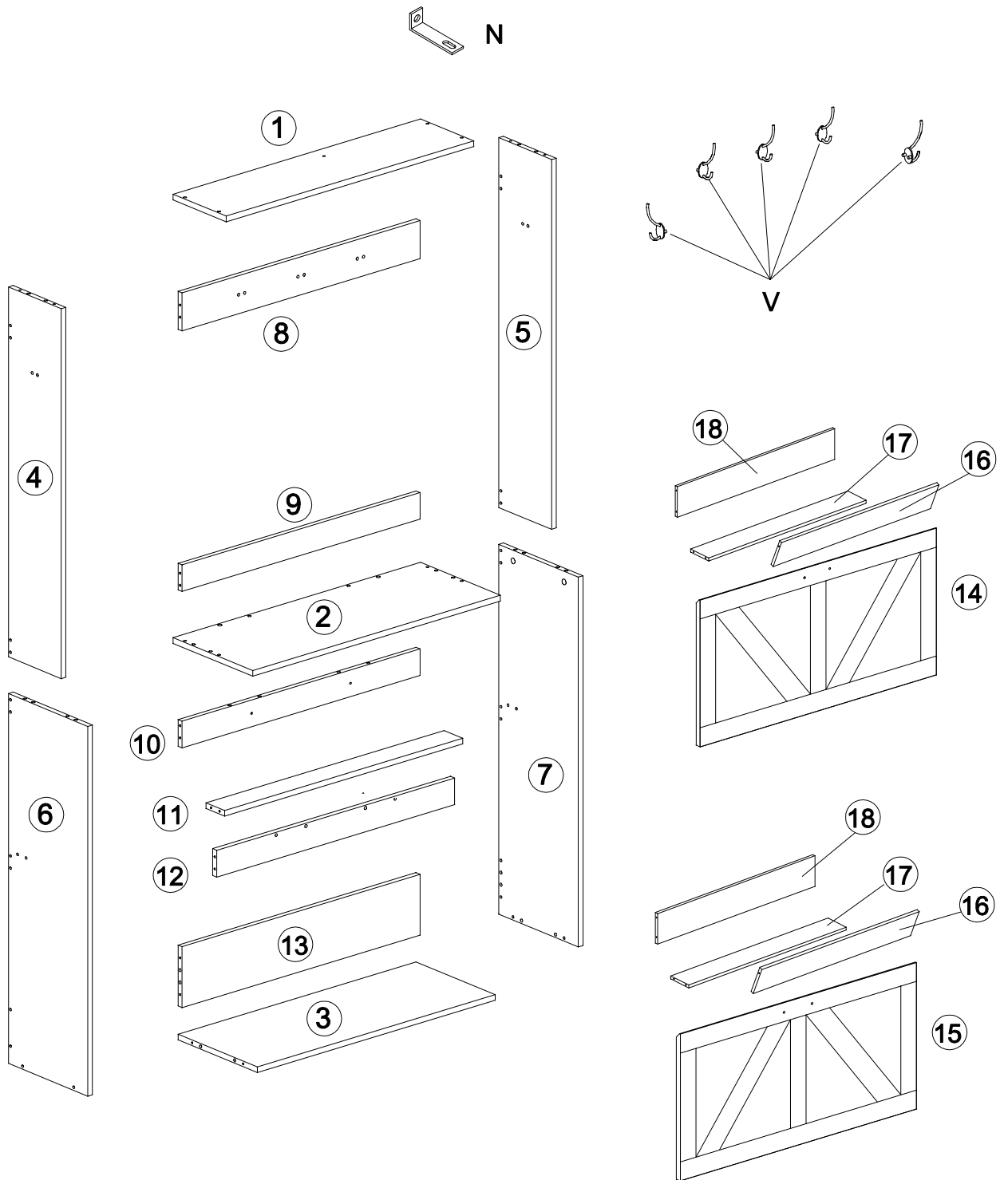


3
Cam lock the arrow is towards the Cam bolt










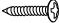




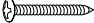



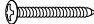



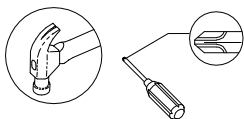
4
180° Ensure locking

COMPONENT PARTS



Hardware List




A		Ø8x30mm	Wooden dowel	26 pcs
B		Ø6x35mm	Cam bolt	8 pcs
C		Ø15x11mm	Cam lock	8 pcs
D		Ø6x50mm	Screw	36 pcs
E		4mm	Allen Key	1 pcs
F			Handle	2 pcs
G		Ø4x20mm	Screw	4 pcs
H		Ø3x18mm	Screw	12 pcs
I			Glue tube	1 pcs
J		Ø4x18mm	Screw	24 pcs
K			Shoe Rack-Frame(R)	2 pcs
L			Shoe Rack-Frame(L)	2 pcs
M			Washer	4 pcs
O			Locating Dowel	4 pcs
P		Ø4*45mm	Screw	2 pcs
Q		Ø6mm	Washer	1 pcs
R		Ø6mm	Screw	3 pcs
S		Ø1/4"x12mm	Bolt	1 pcs
T		Ø4*30mm	Screw	3 pcs
U			Sticker	28 pcs

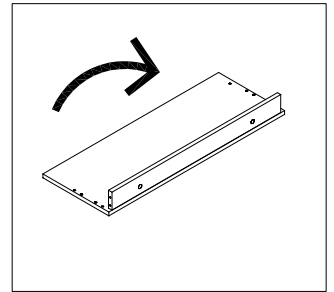
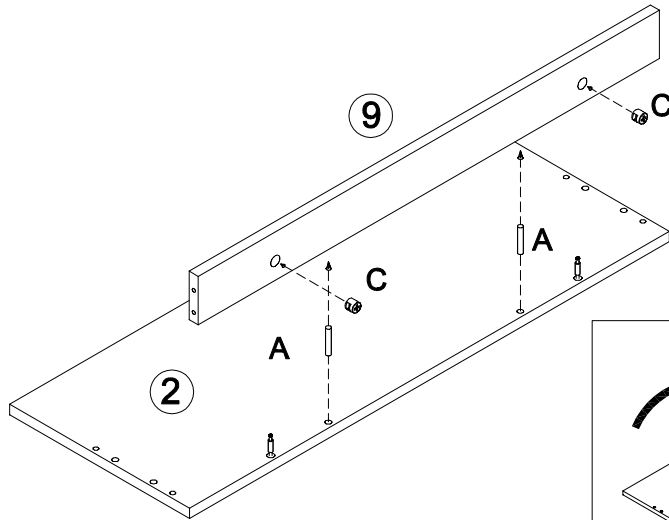
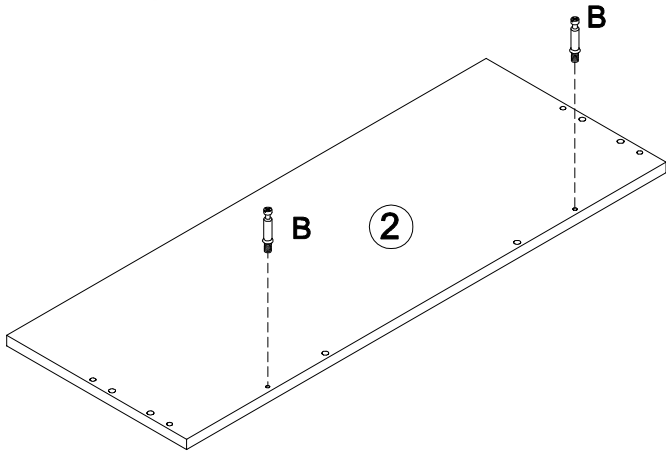


Philips head screwdriver and Hammer required for assembly
(not included)




*The hardware quantities listed above are required for proper assembly.
Some extra hardware may also have been included.*

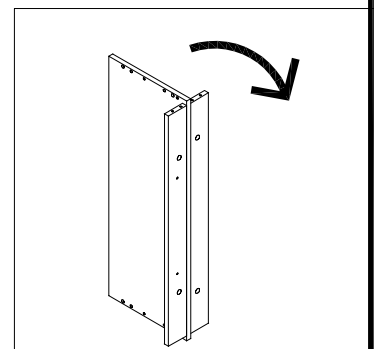
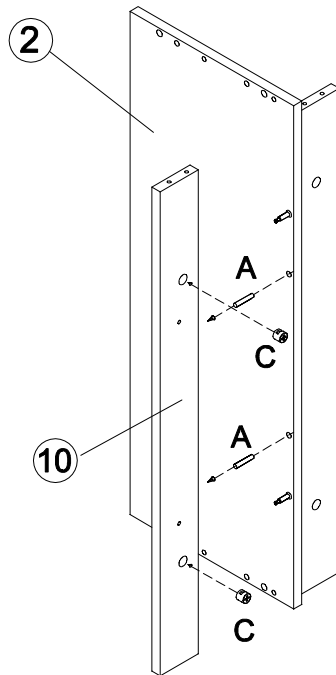
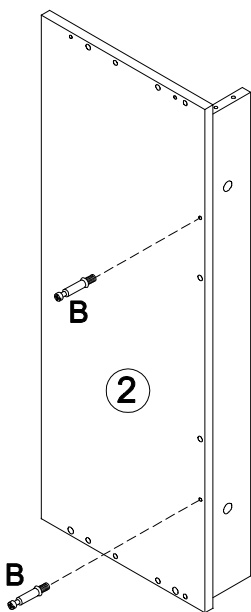
Step 1

A x 2  Ø8x30mm	B x 2  Ø6x35mm	C x 2  Ø15x12mm
--	--	---





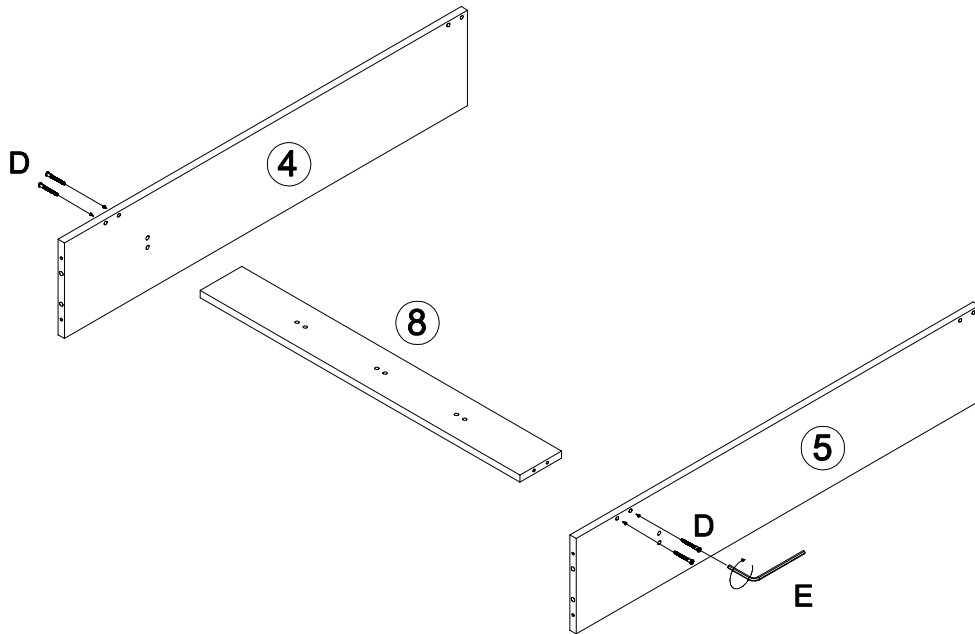
Step 2

A x 2  Ø8x30mm	B x 2  Ø6x35mm	C x 2  Ø15x12mm
--	--	---






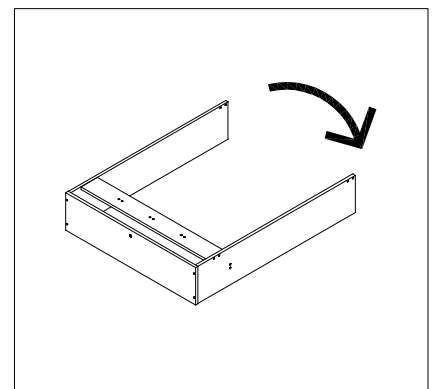
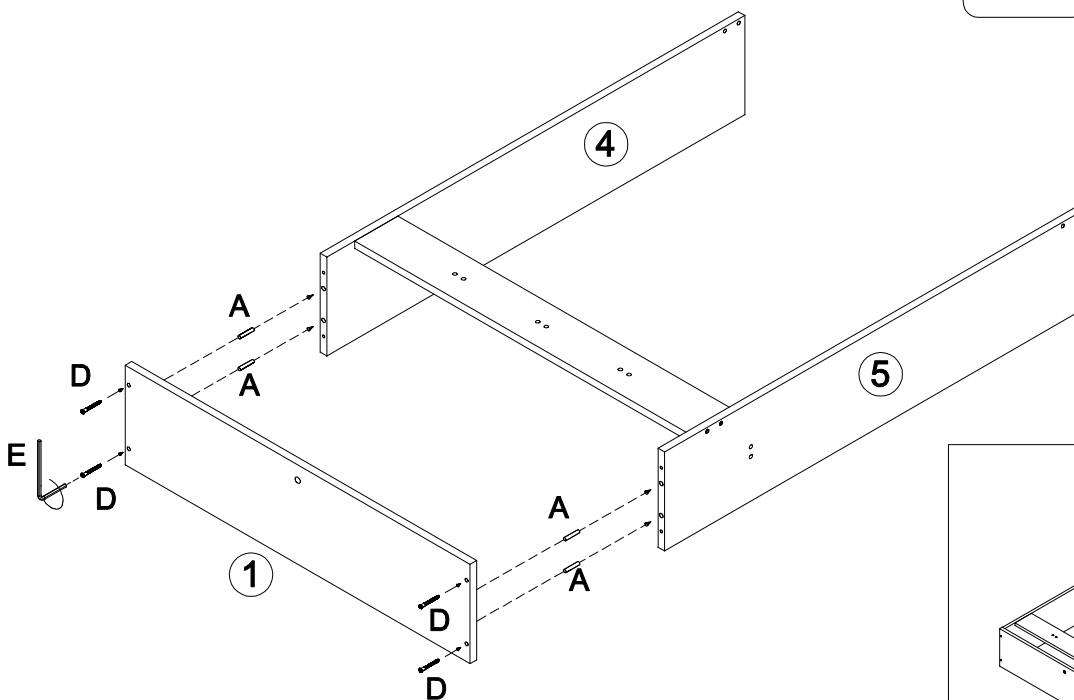
Step 3

D x 4  Ø6x50mm	E x 1  4mm
---	---






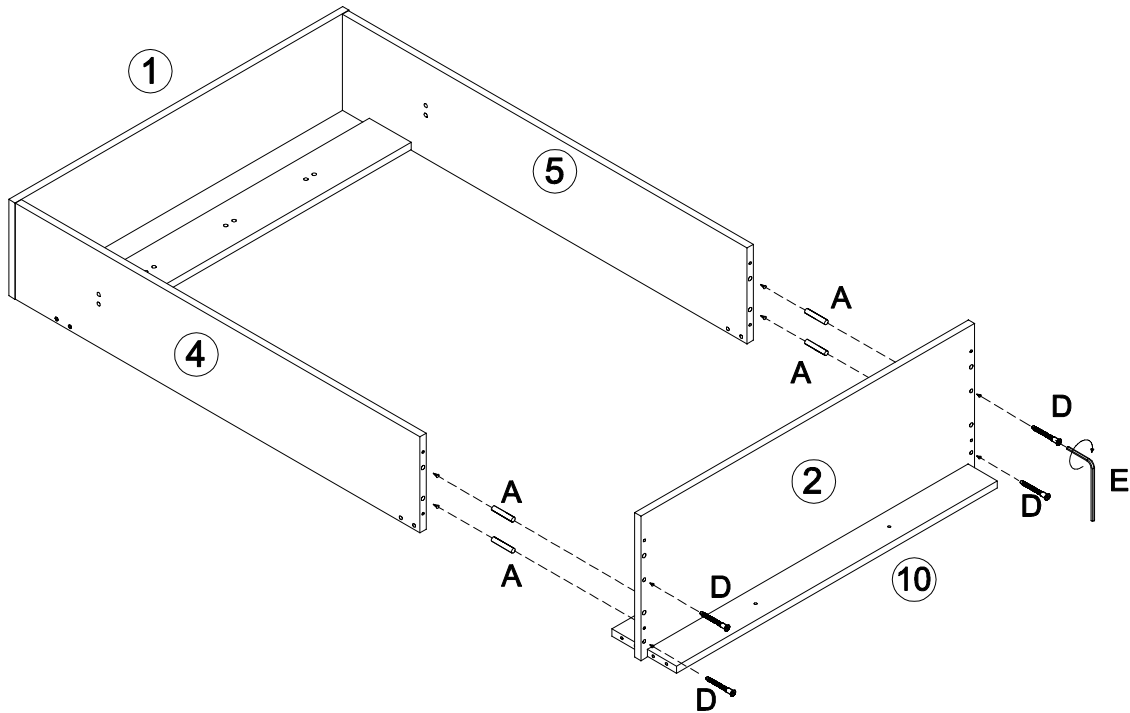
Step 4

A x 4  Ø8x30mm	D x 4  Ø6x50mm	E x 1  4mm
---	---	---





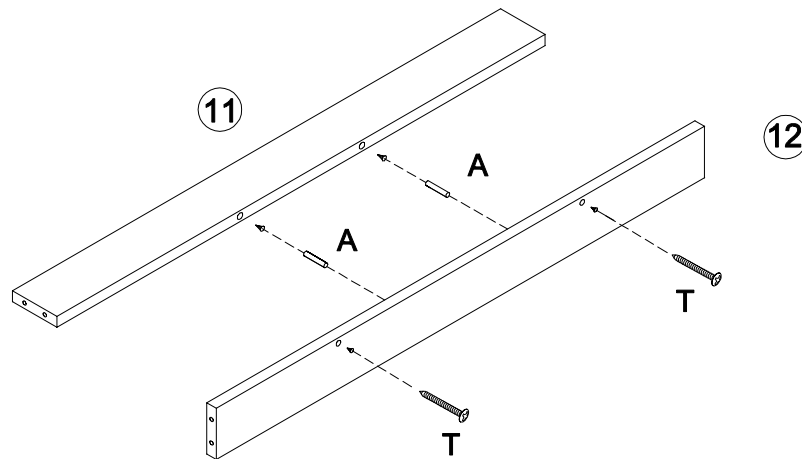
Step 5

A x 4  Ø8x30mm	D x 4  Ø6x50mm	E x 1  4mm
--	--	--




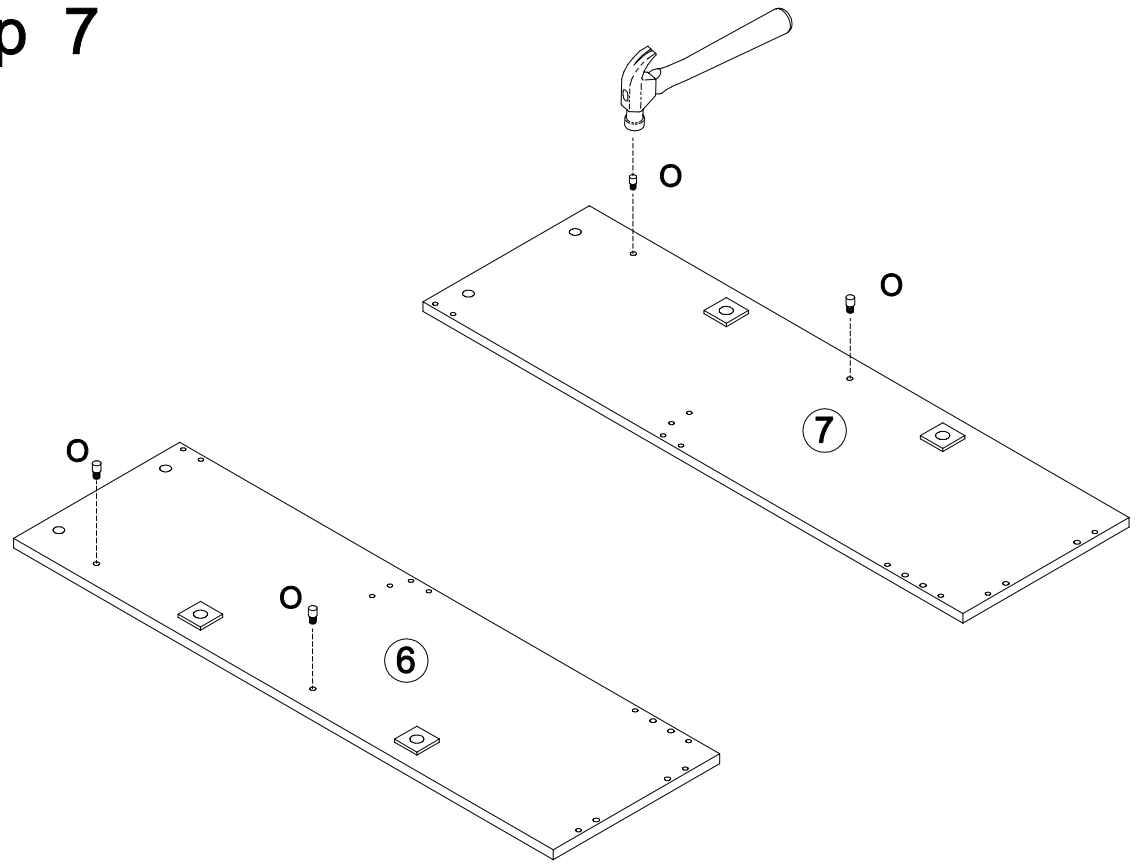
Step 6

A x 2  Ø8x30mm	T x 2  Ø4x30mm
--	--






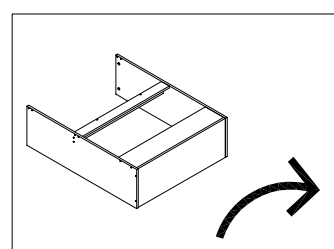
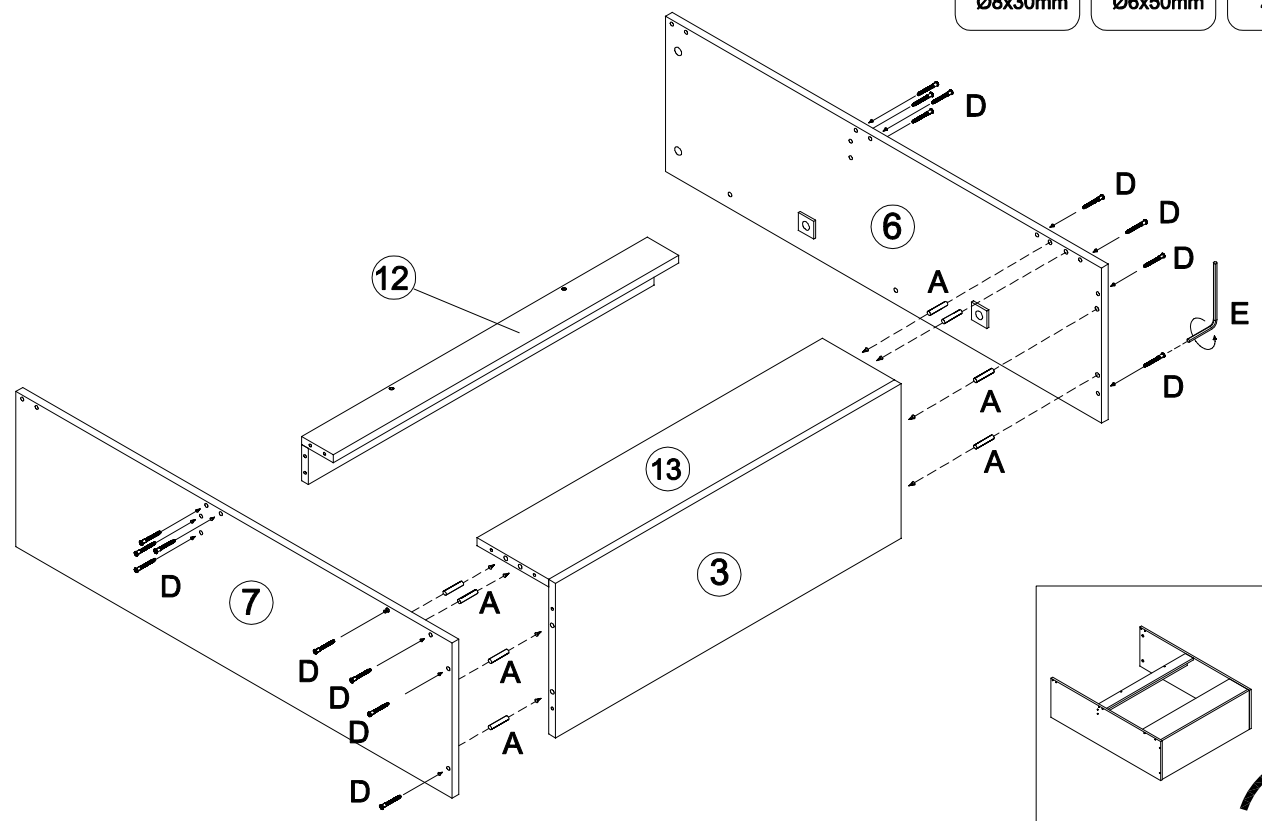
Step 7

O x 4




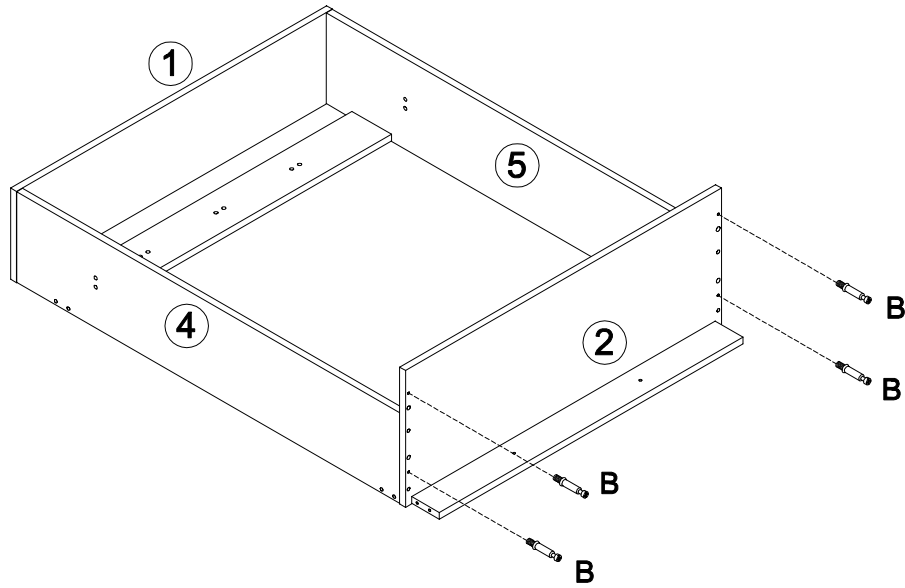
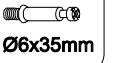
Step 8

A x 8	D x 16	E x 1
		
Ø8x30mm	Ø6x50mm	4mm



Step 9

B x 4

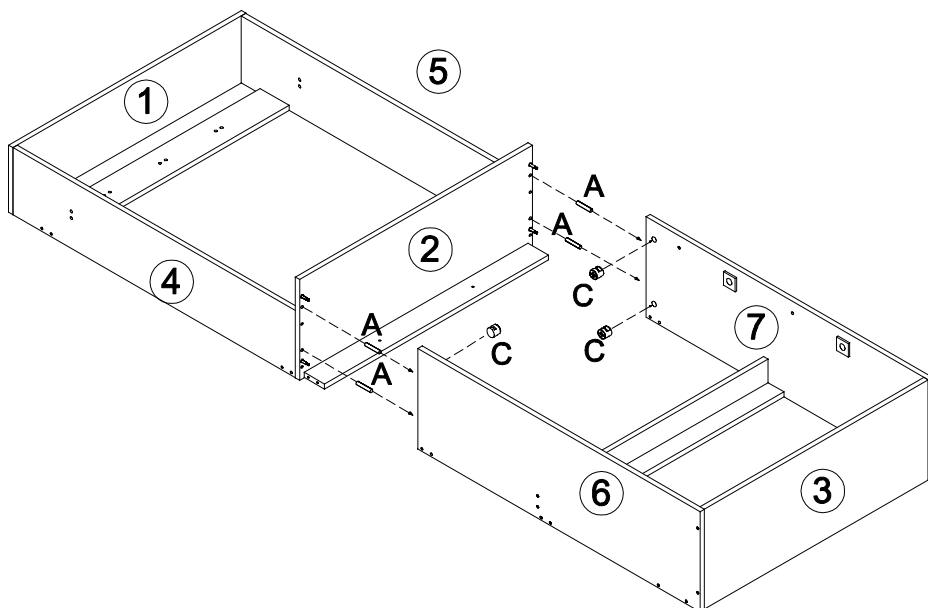


Step 10

A x 4




C x 4

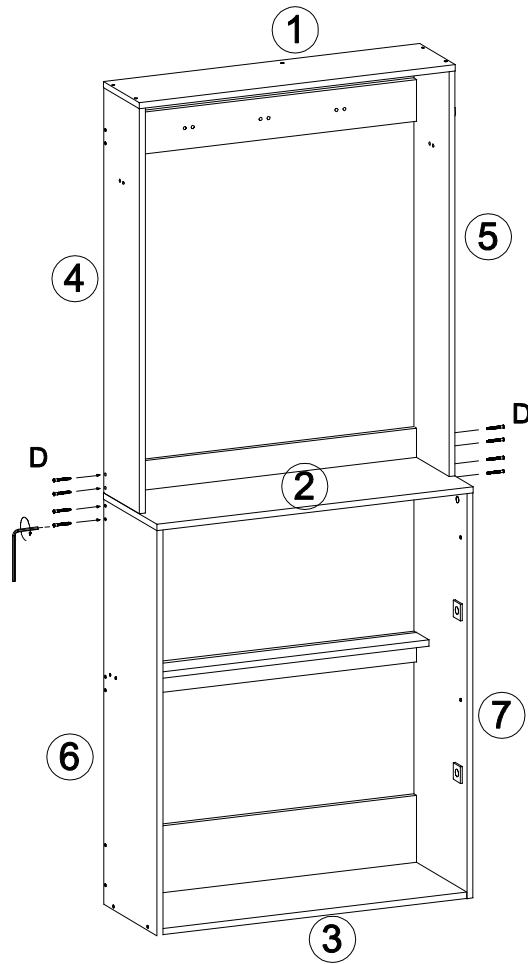


Step 11


D x 8

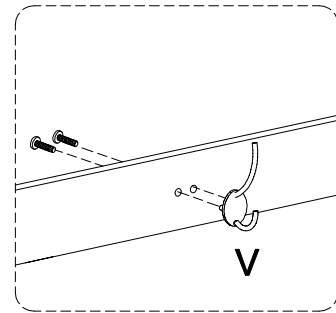
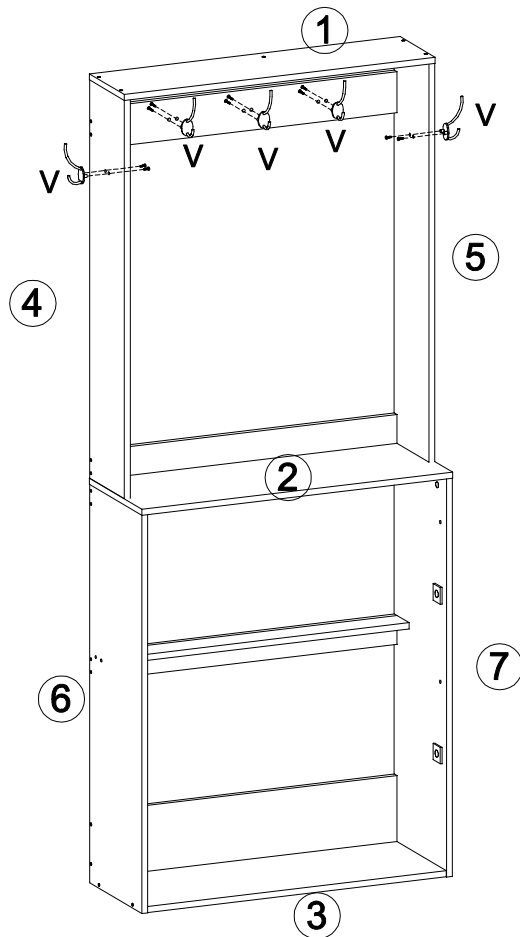
Ø6x50mm

E x 1

4mm


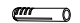


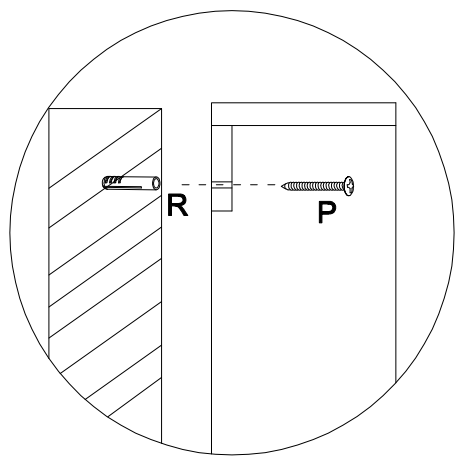
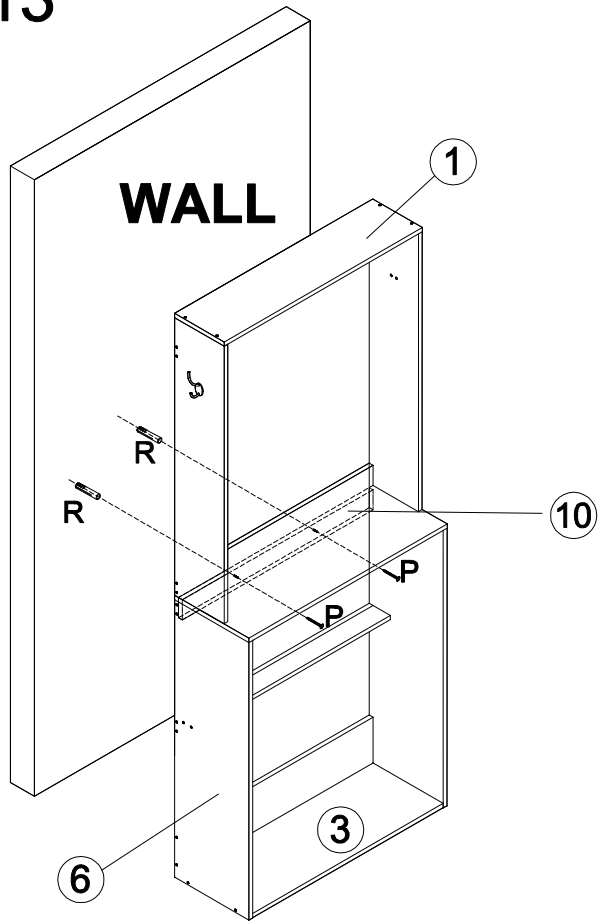
Step 12

V x 5










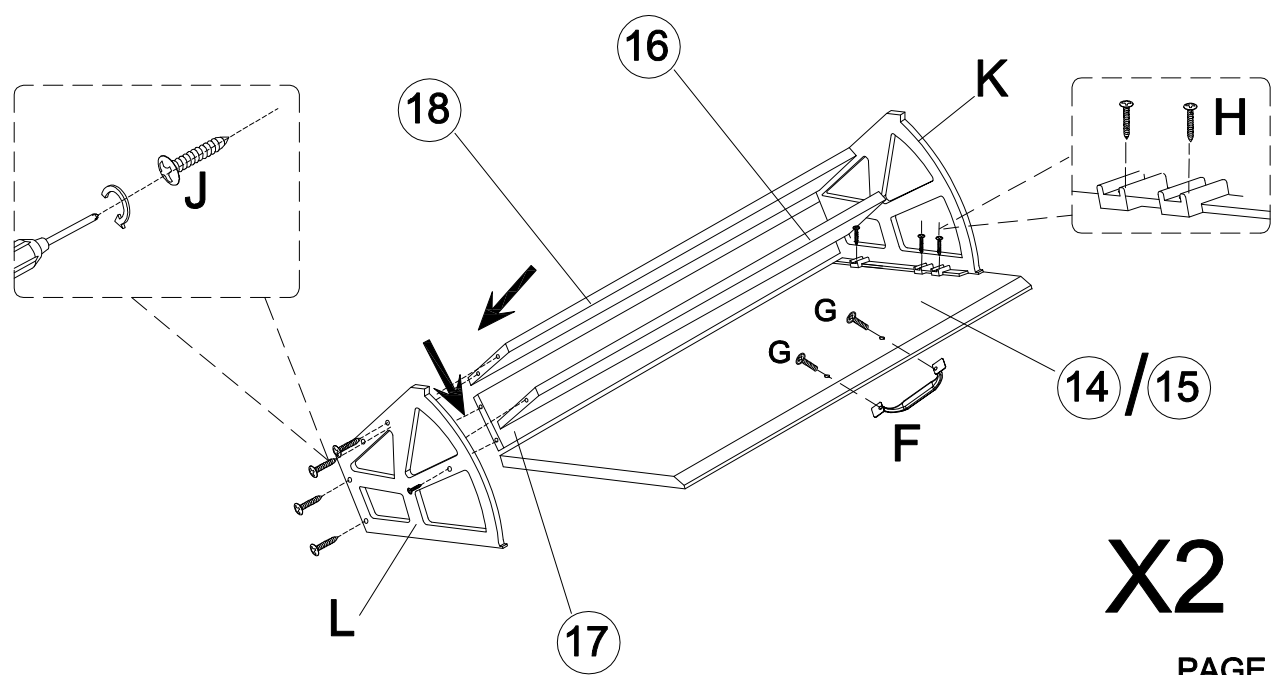
Step 13

P x 2	R x 2
 Ø4x45mm	





Step 14

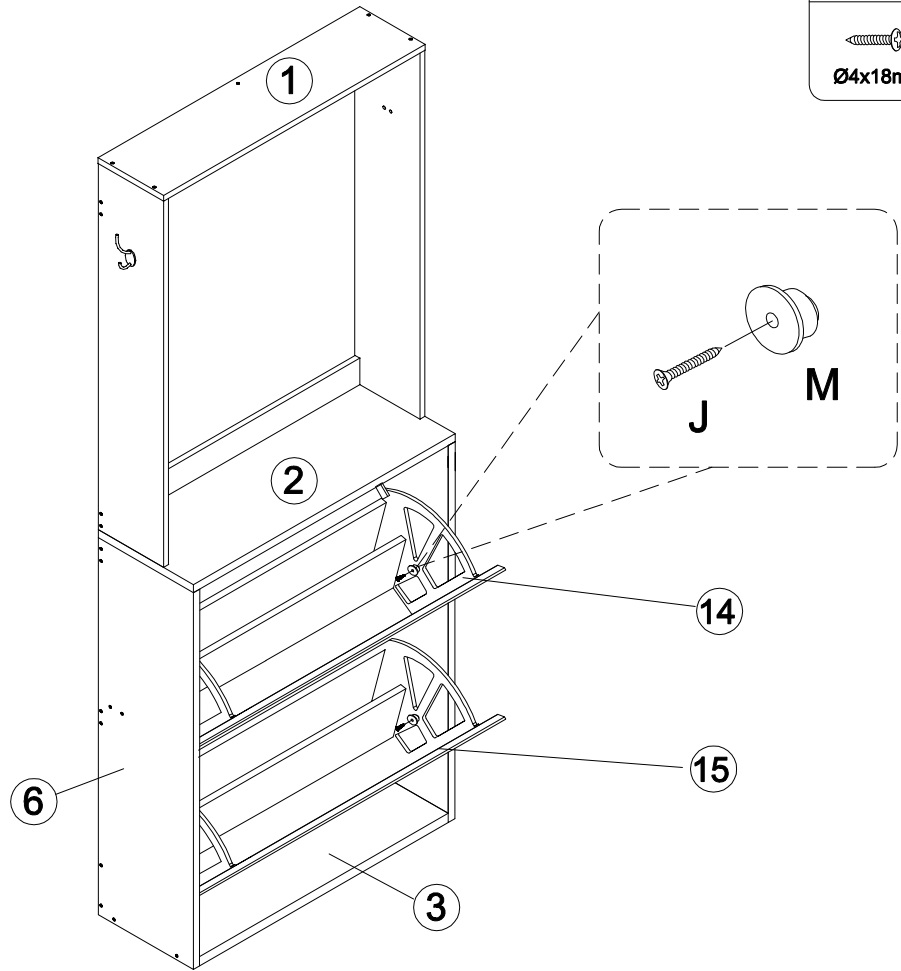
H x 12  Ø3x18mm	K x 2 	L x 2 	J x 20  Ø4x18mm
		F x 2 	G x 4  Ø4x20mm






X2

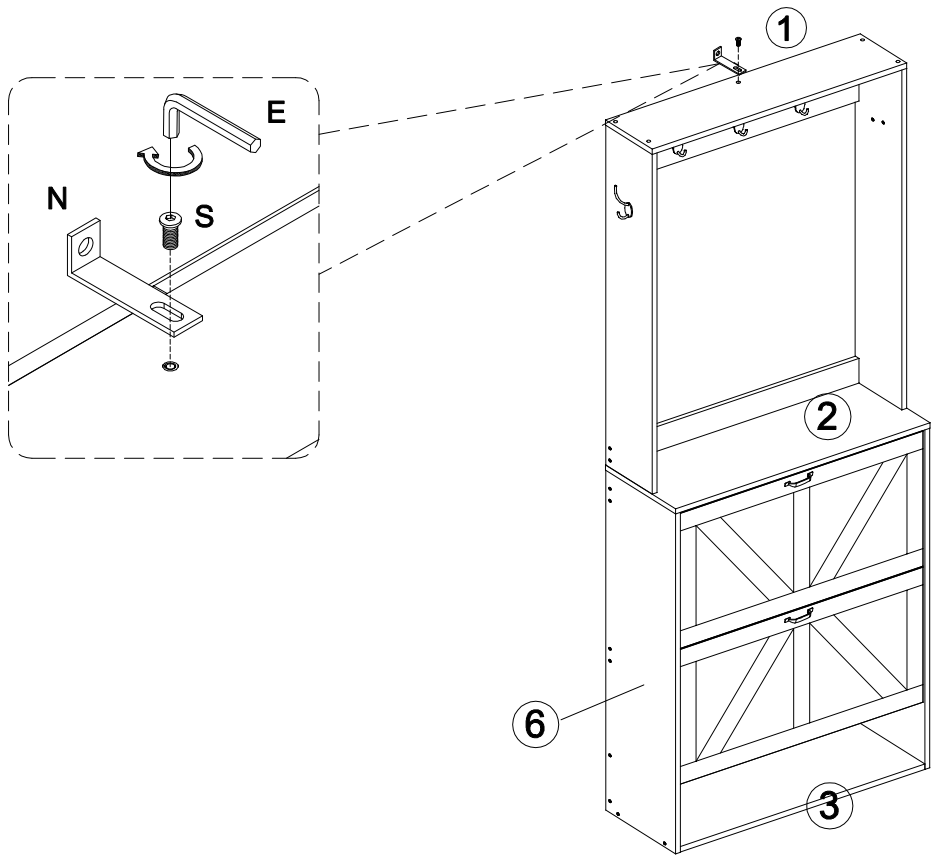
Step 15

J x 4	M x 4
 Ø4x18mm	







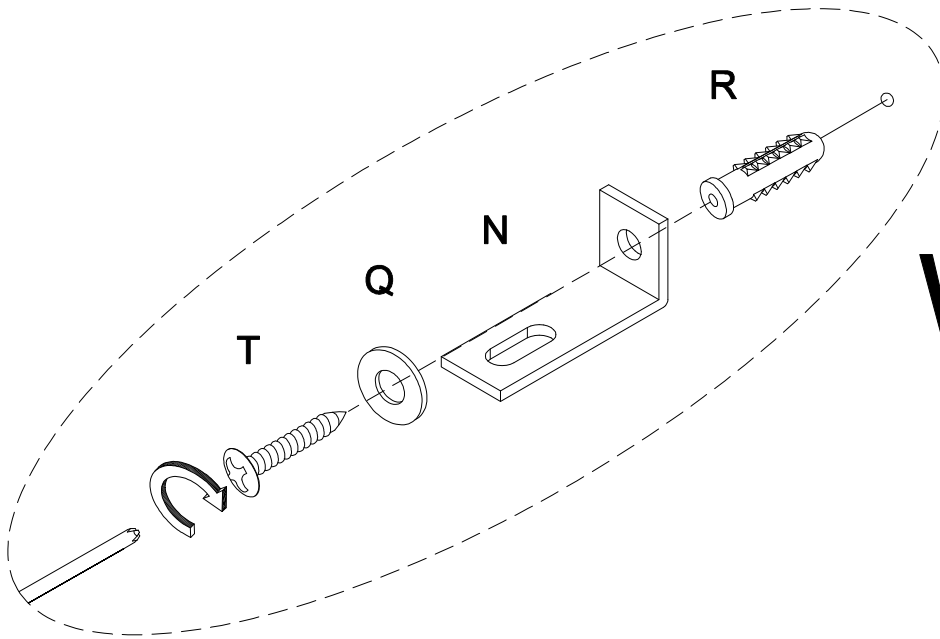
Step 16

E x 1	S x 1	N x 1
 4mm	 Ø1/4" x 12mm	

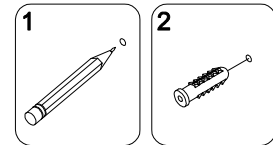


Step 17


R x 1	T x 1	Q x 1	N x 1
	 Ø4x30mm	 Ø6mm	

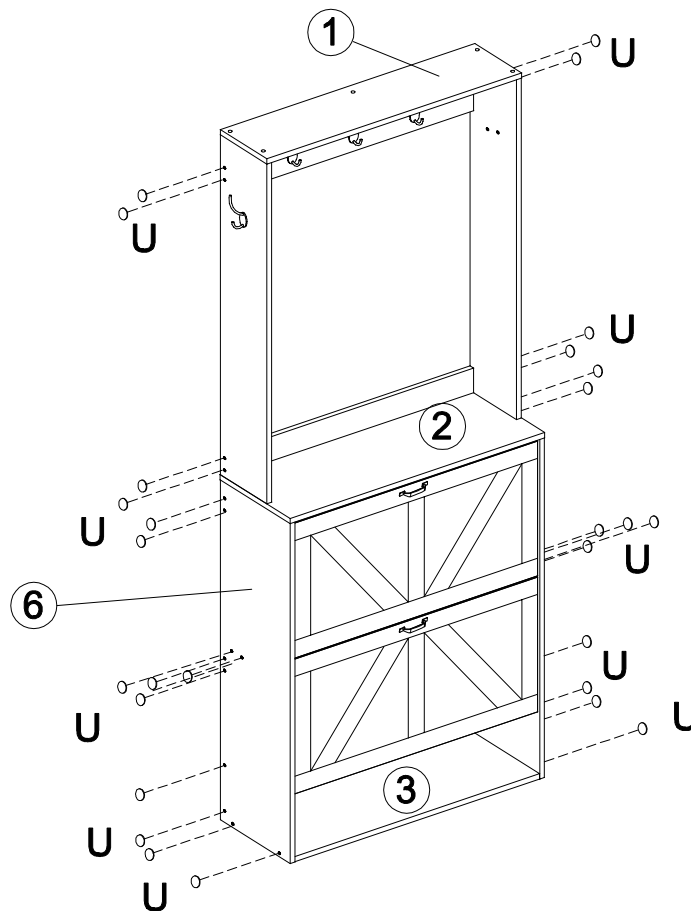


Wall

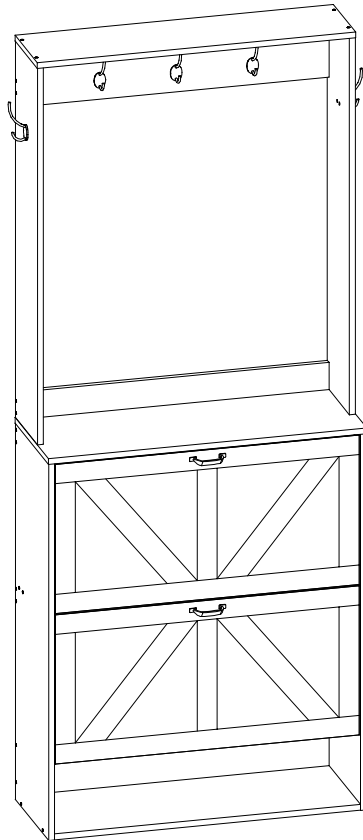


Step 18

U x 28




Step 19



Final Assembly



WARNING



Children have died from furniture tip-over. To reduce the risk of furniture tip-over:

- Highly recommend installing tip-over restraint provided.
- NEVER put a TV on this product.
- NEVER allow children to stand, climb or hang on drawers, doors, or shelves.
- Place heaviest items in the lowest drawers.

