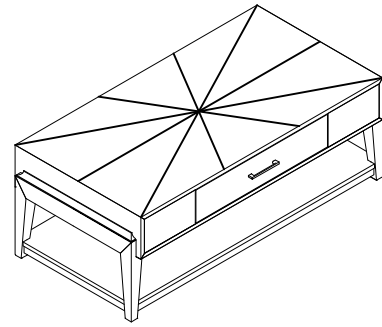


ASSEMBLY INSTRUCTIONS



276 - 910

TOOLS REQUIRED:

Allen Key (supplied, Part # G)
Screwdriver (Not Provided)

BEFORE YOU START:

1. Check the hardware against the hardware list to make sure all items are present.
2. Assemble your furniture on a soft, flat surface to avoid scratching the finish.
3. **CAUTION:** Do not over tighten screws, nuts or bolts during assembly.
4. Your furniture may require occasional tightening.

INSTRUCTIONS:

1. Attach leg frame on the table by using Flat washer (C), Lock Washer (B), Bolt (A) with Allen Key (G). (See Figure 1).
2. Attach leg frame and bottom shelf on the table of step 1. (See Figure 2).
3. Then using Flat washer (C), Lock Washer (B), Bolt (A) with Allen Key (G) to connect the leg frame of step 3 on the table (See Figure 3).
4. Using Flat washer (F), Lock Washer (E) Bolt (D) with Allen Key (G) to connect the bottom shelf of step 3 on the table. (See Figure 4).
5. Attach Casters (I) on the Bottom Shelf by using Screw (H). (See Figure 5). Tighten all bolts with Allen Key (G).
6. Place the table upright, your cabinet is now ready for use.

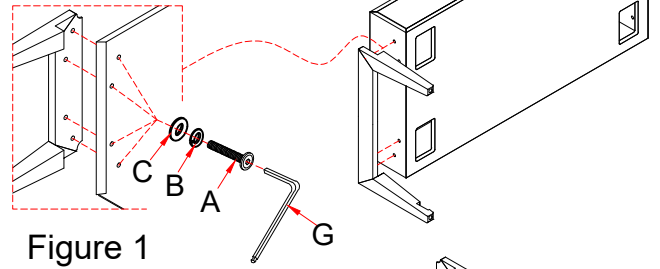


Figure 1

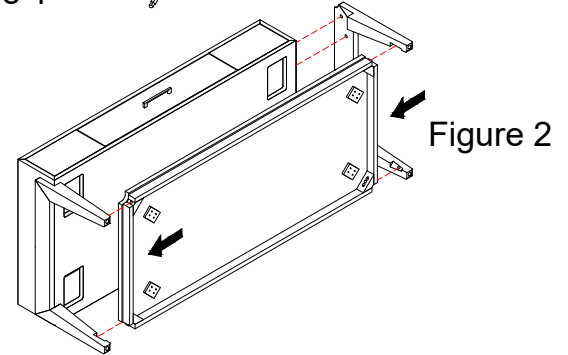


Figure 2

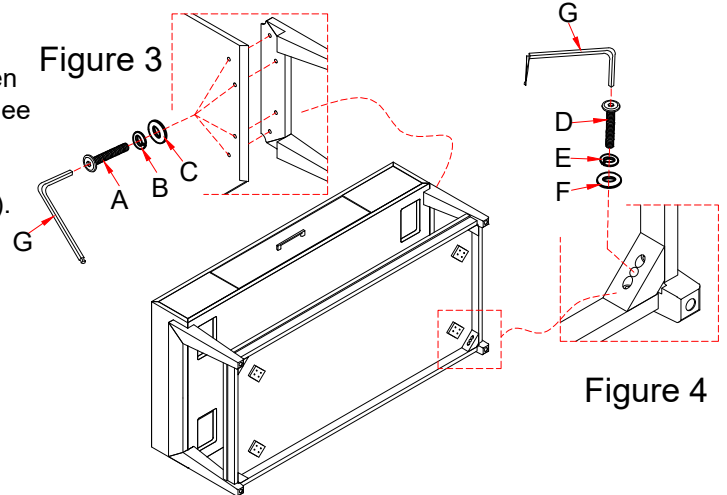


Figure 3

Figure 4

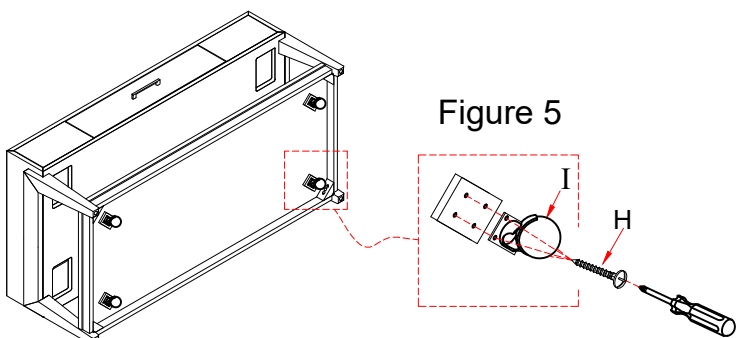






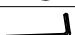
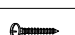
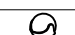


Figure 5

No.	Hardware List	Q'ty
A	 Bolt Ø5/16 x 1"	8
B	 Lock Washer Ø5/16"	8
C	 Flat Washer Ø5/16"	8
D	 Bolt Ø1/4 x 2"	4
E	 Lock Washer Ø1/4"	4
F	 Flat Washer Ø1/4"	4
G	 Allen Key (100*50*4mm)	1
H	 Screw #3.5 x 5/8"	16
I	 Casters Ø50mm	4