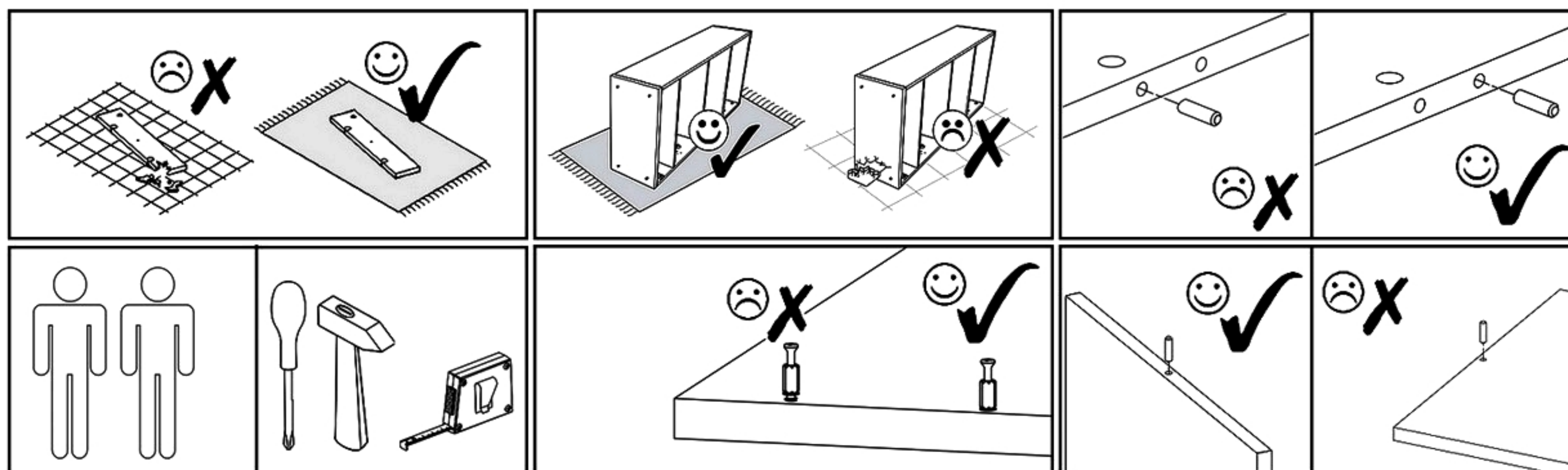
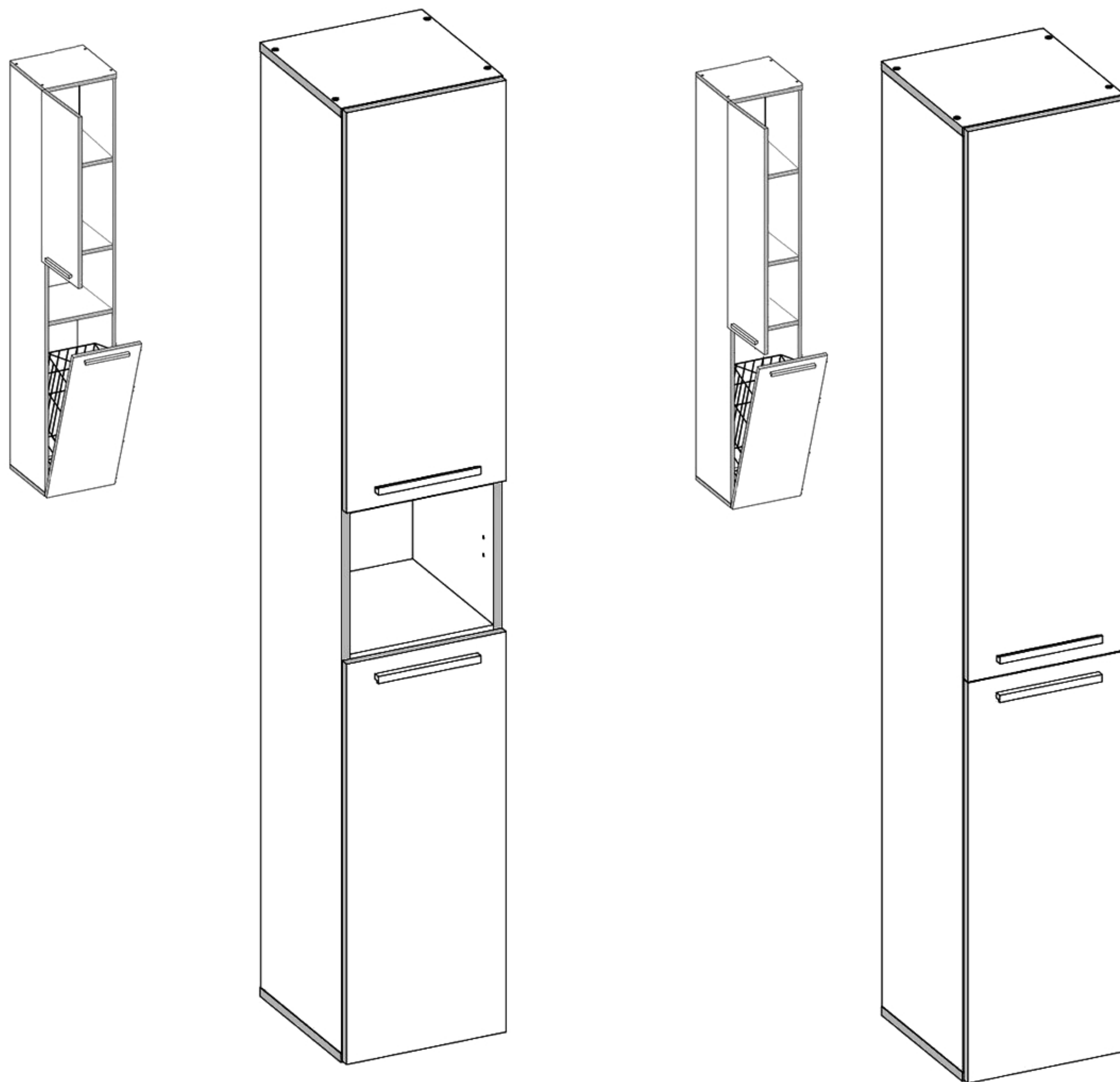

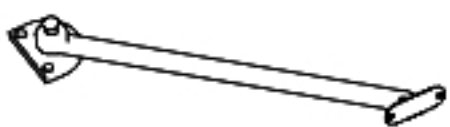


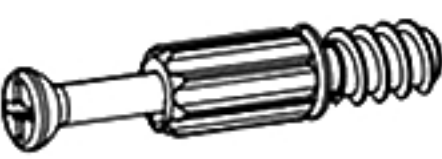

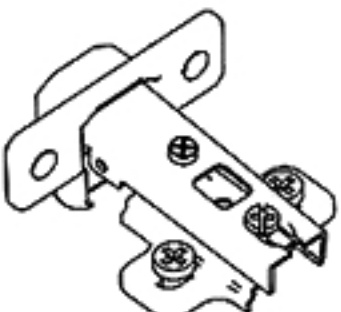




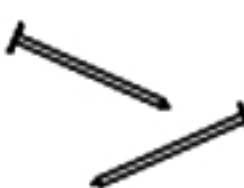
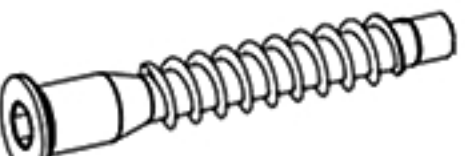

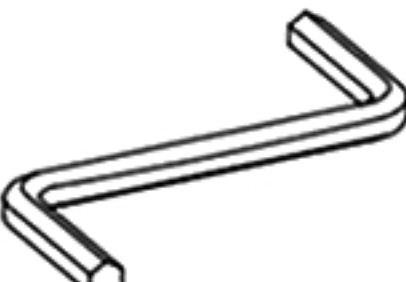



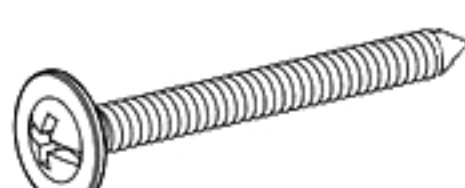
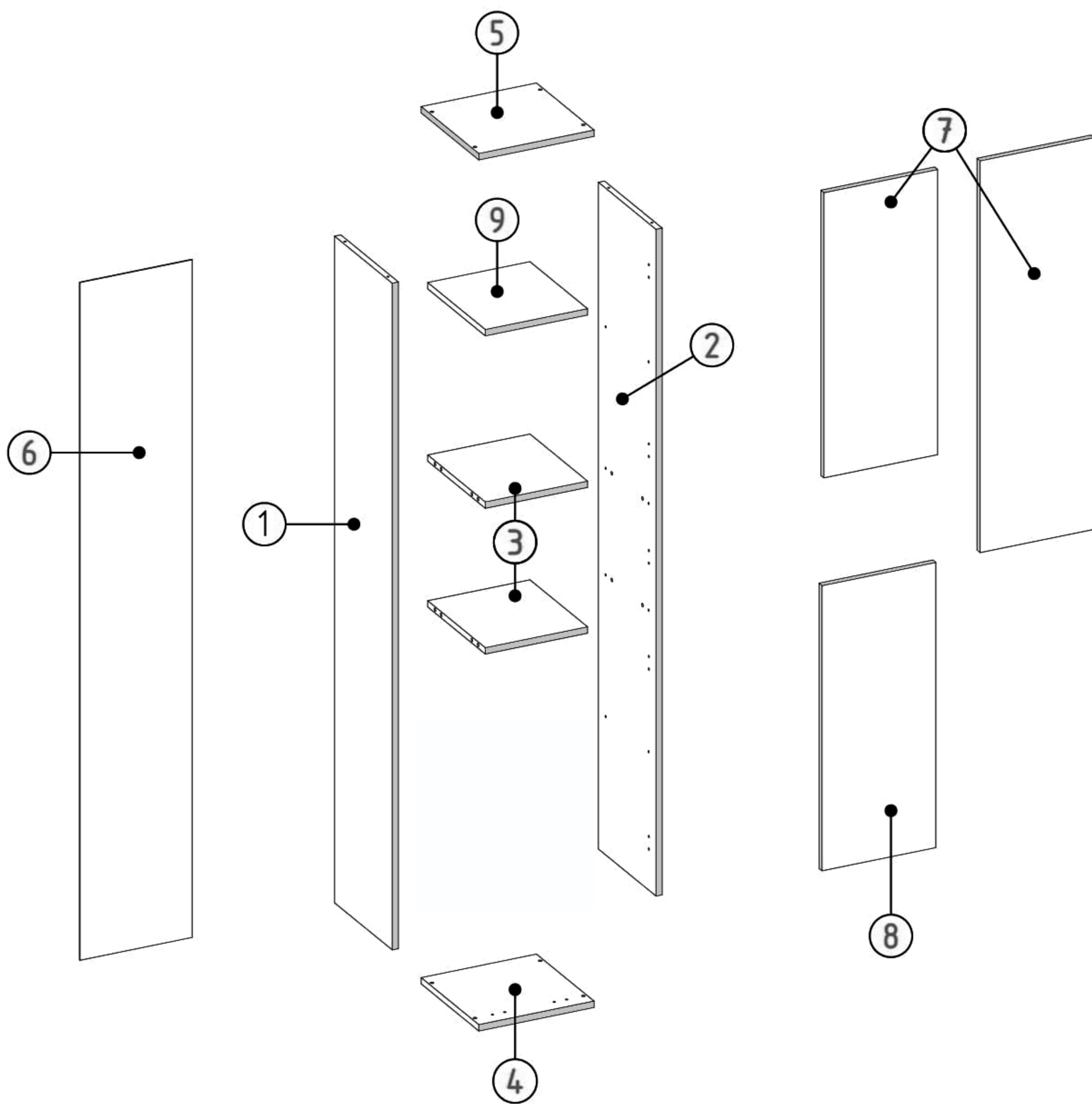


NEL 3



NEL 4

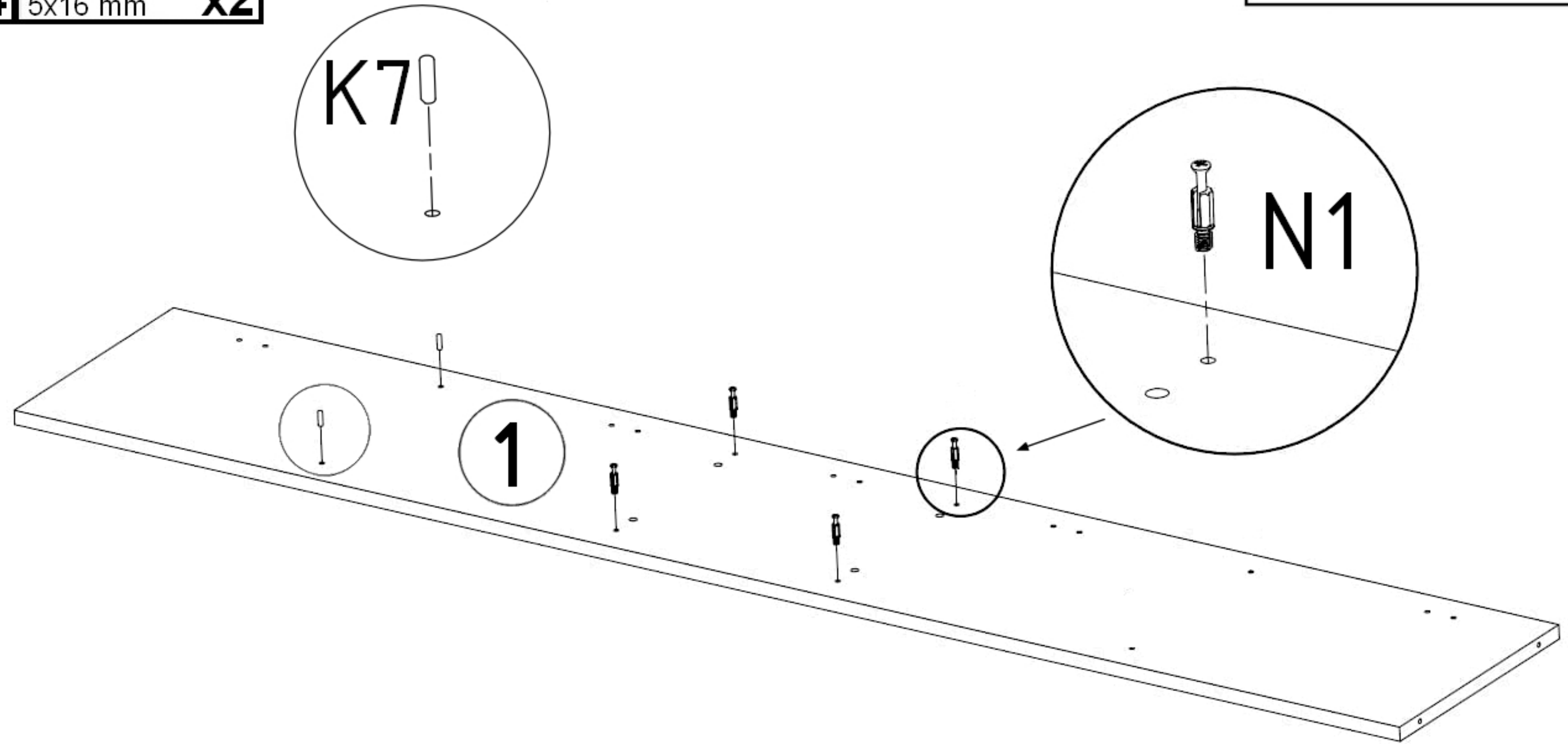
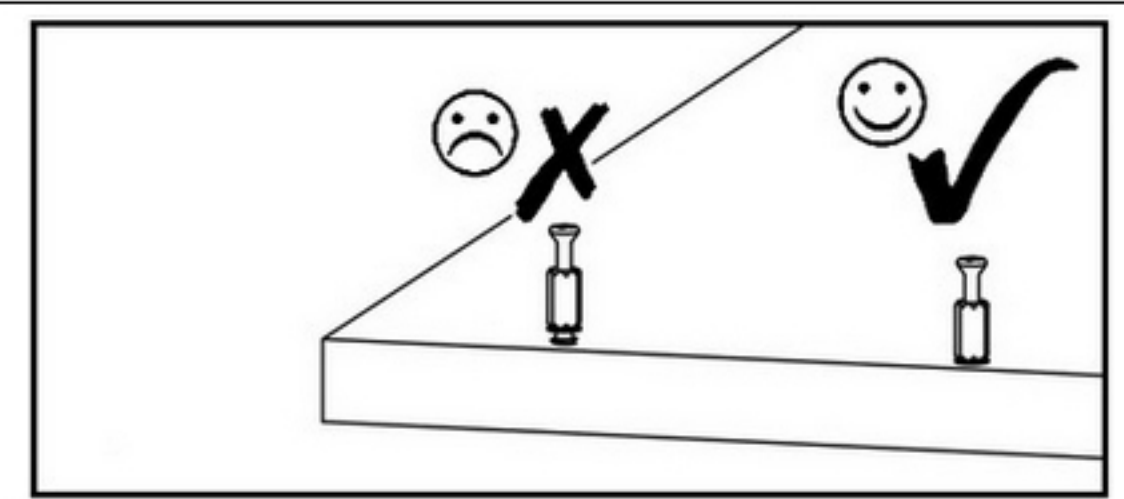




V8  x1	V2  x1	V9  x4	V10  x4				
N1  L=35 mm x8	M1  12x15 mm x8	A1  ZP x4	S1  3,5x16 mm x10	E1  8x30 mm x8	K2  x1	K7  5x16 mm x4	
Z1  x80	F1  7x50 mm x8	S3  6x13 mm x2	K3  x1	F5  ø 5mm x4	U1  L=190/160mm x2	T1  x4	S11  4x30mm x4

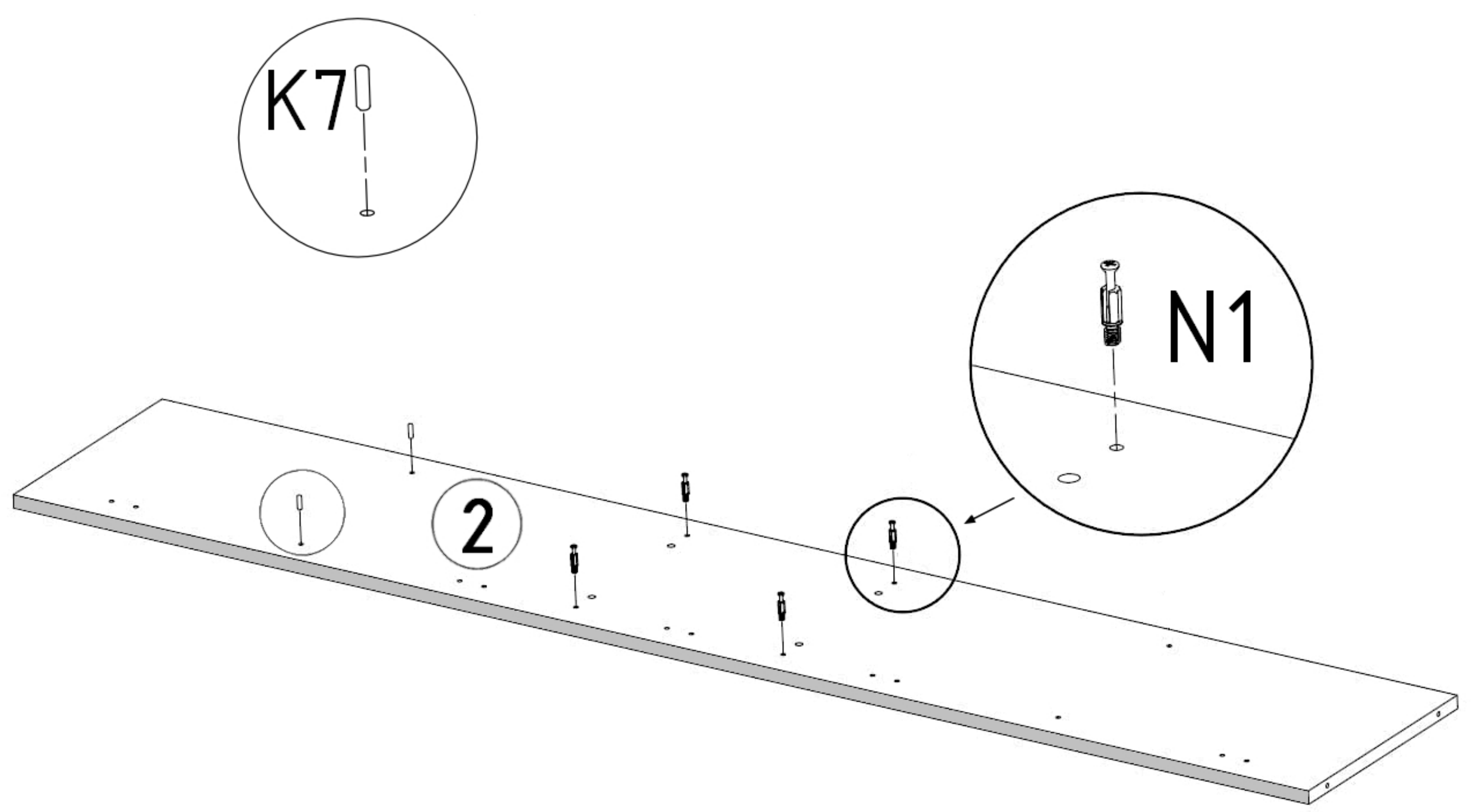
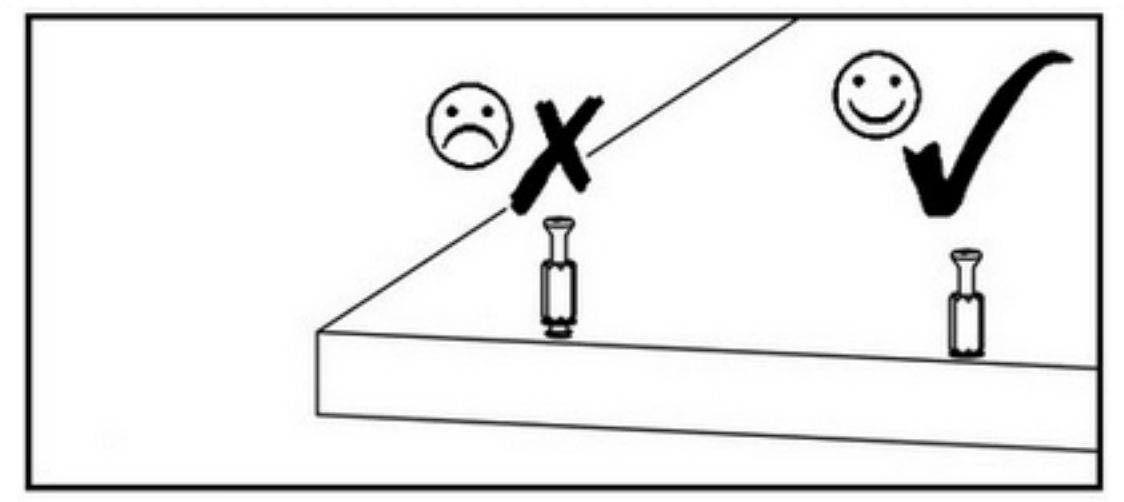


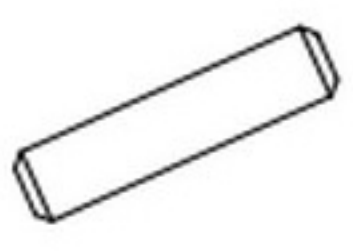
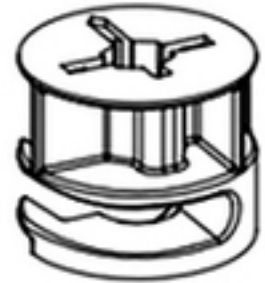
1	x	1
2	x	1
3	x	2
4	x	1
5	x	1
6	x	1
7	x	1
8	x	1
9	x	1

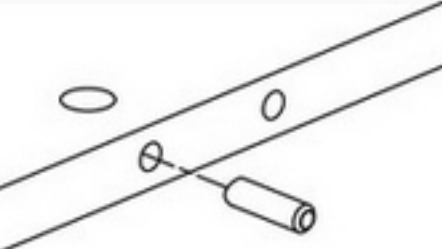
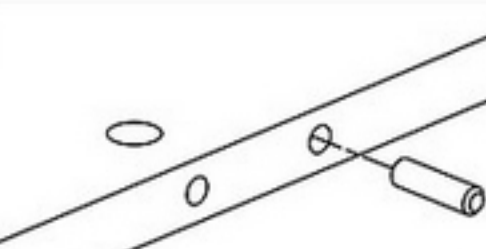

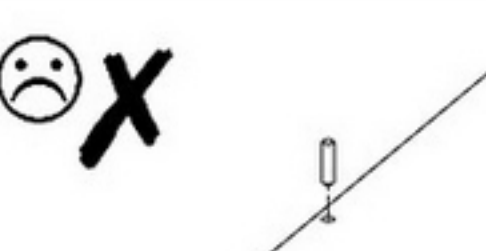
N1  L=35 mm x4	K7  5x16 mm x2
--	---

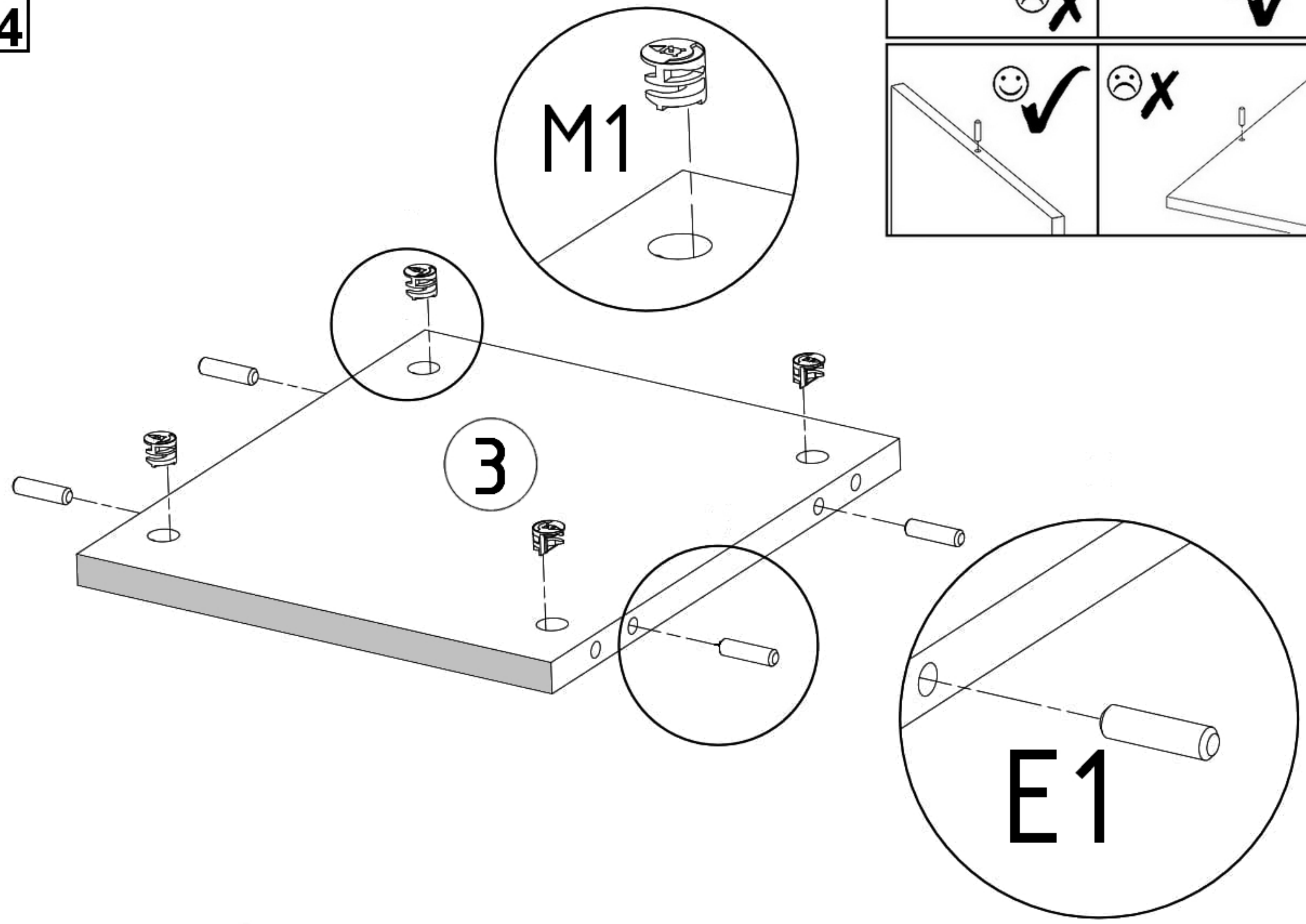




N1  L=35 mm x4	K7  5x16 mm x2
--	---



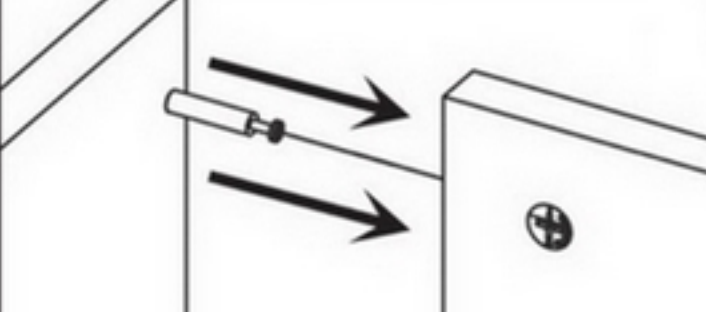

<p>E1</p>  <p>8x30 mm x4</p>	<p>M1</p>  <p>12x15 mm x4</p>
--	--

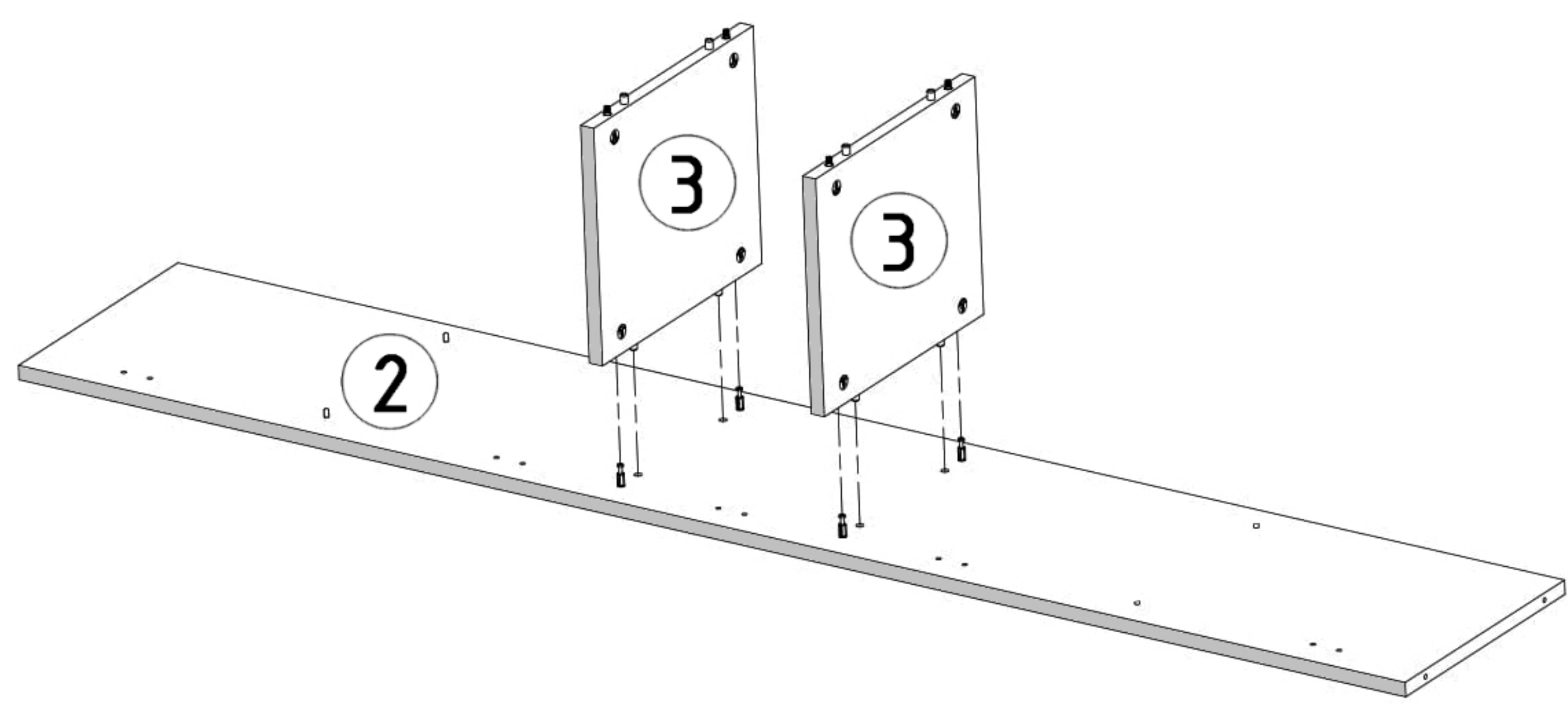
 <p>☹️ X</p>	 <p>😊 ✓</p>
 <p>😊 ✓</p>	 <p>☹️ X</p>

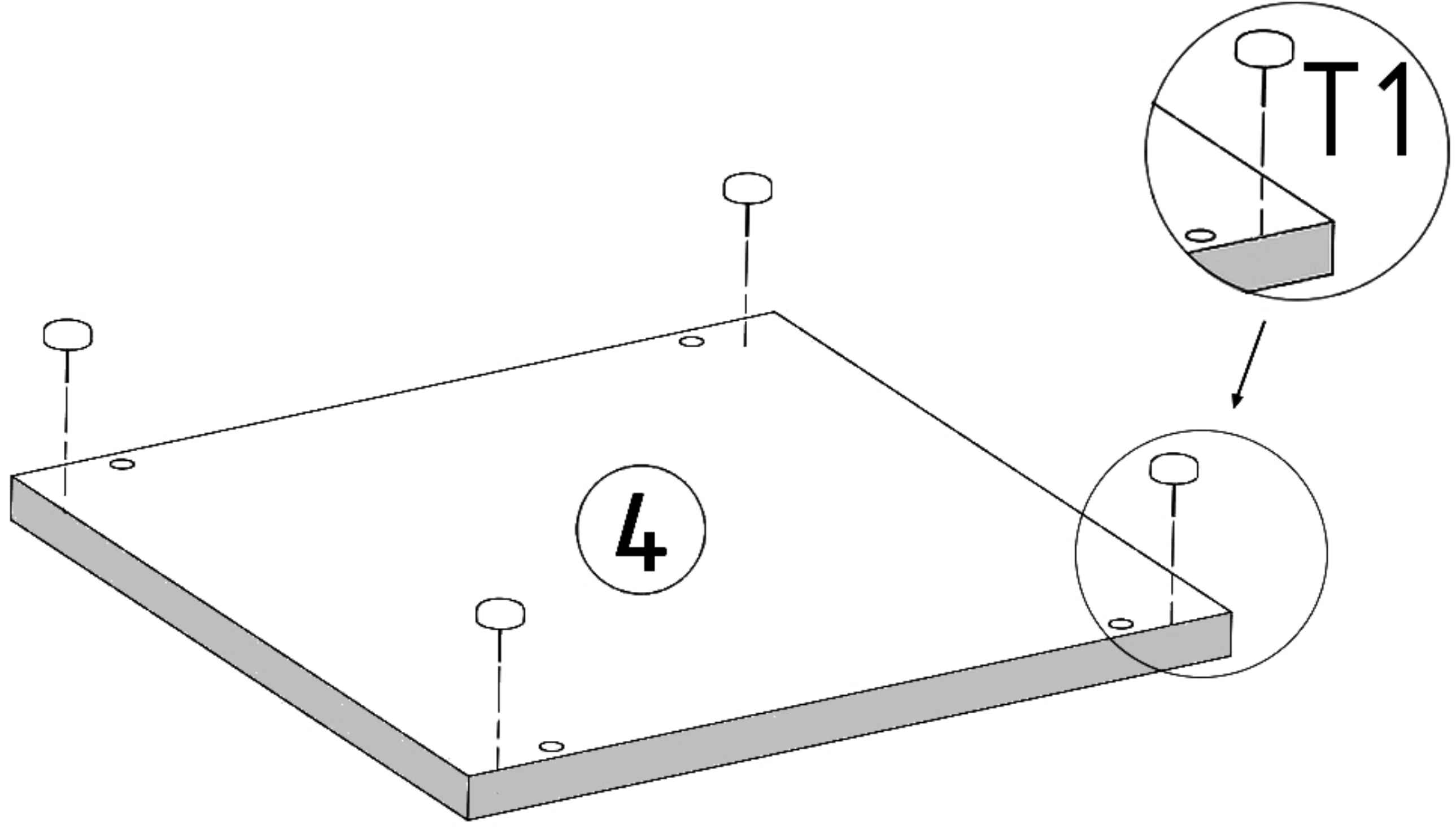
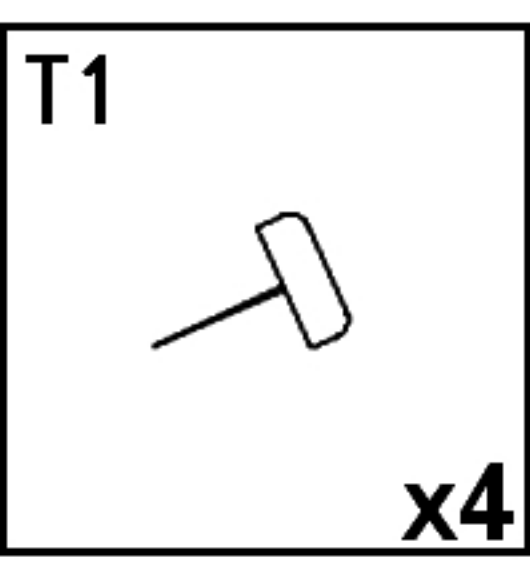
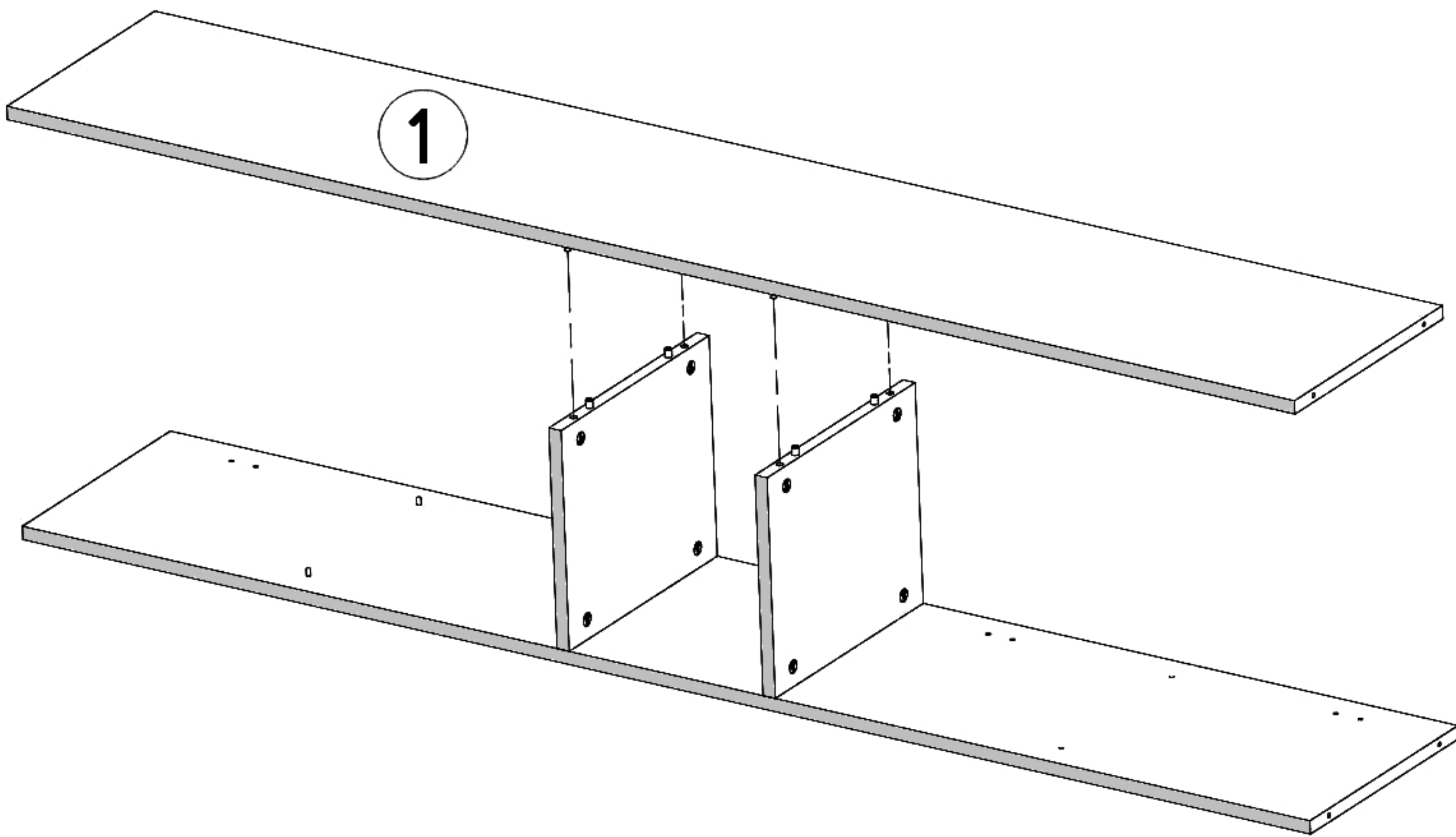
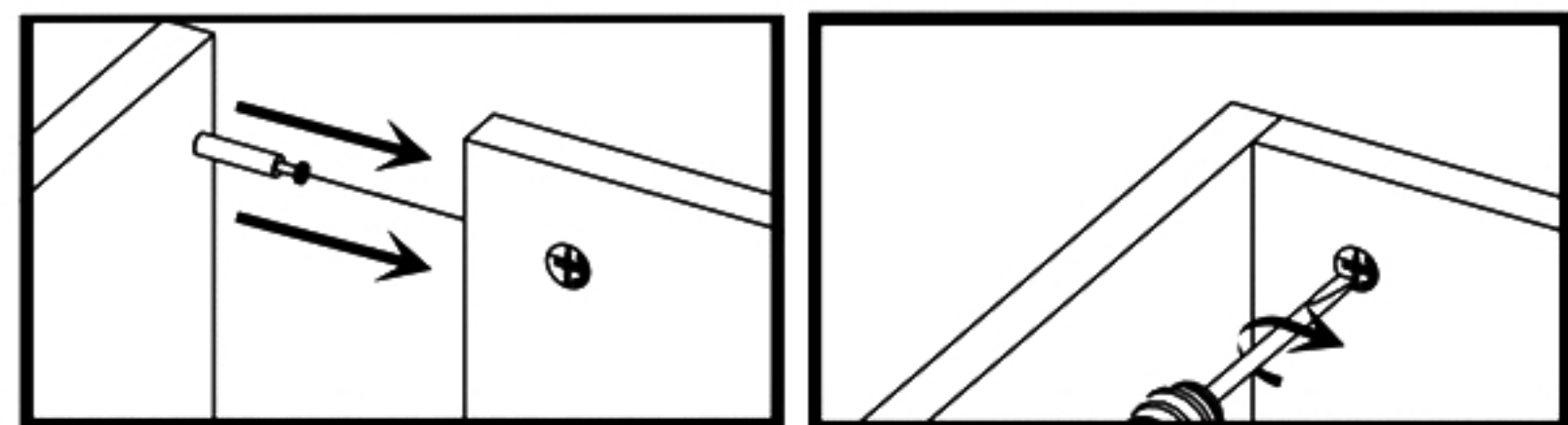


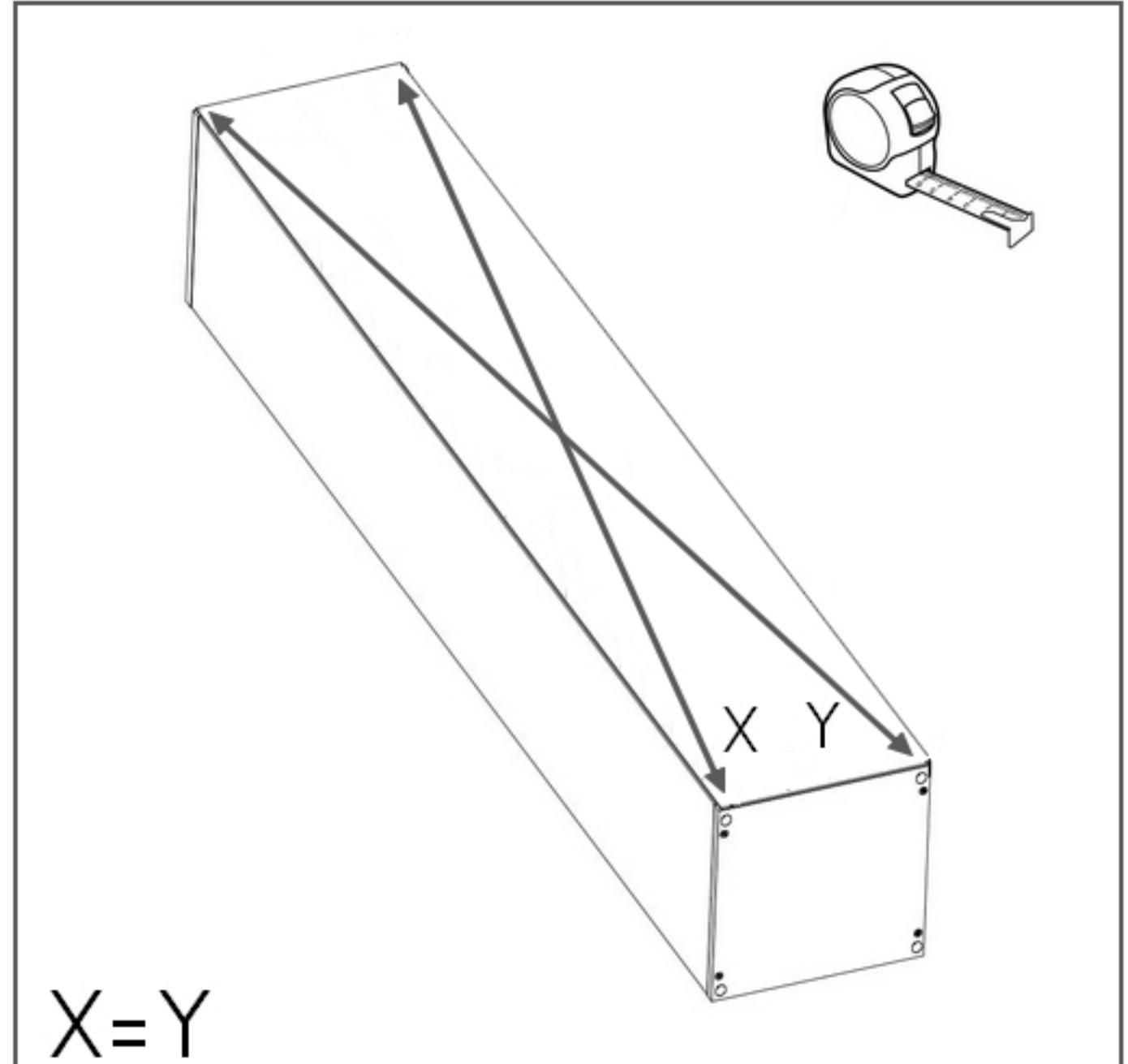
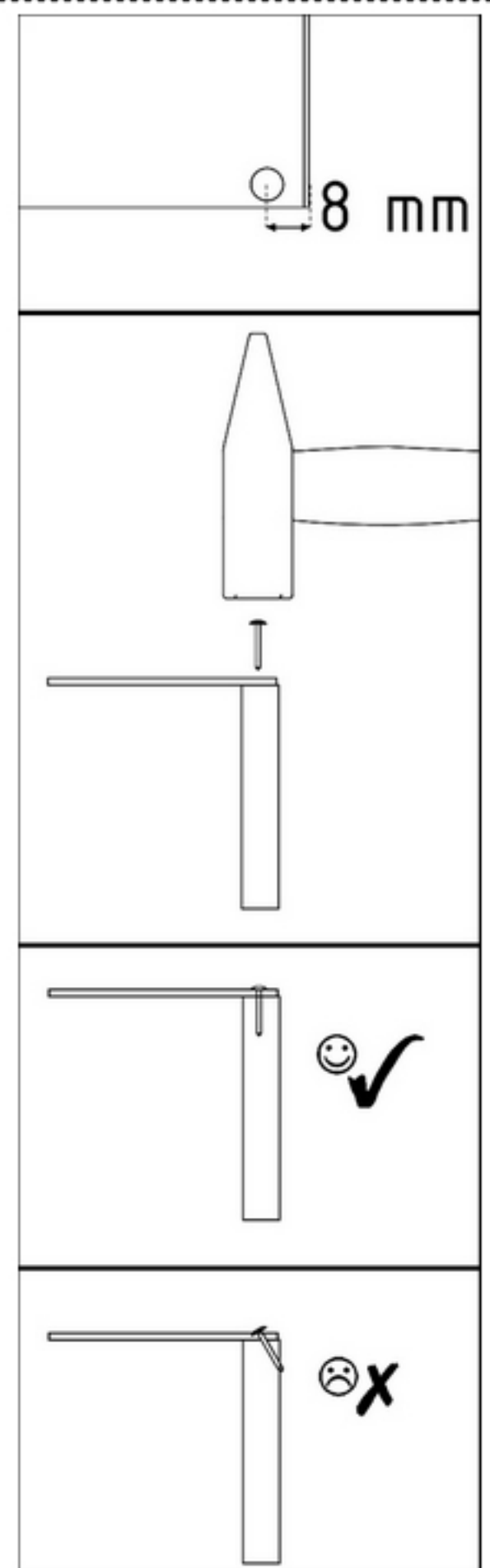
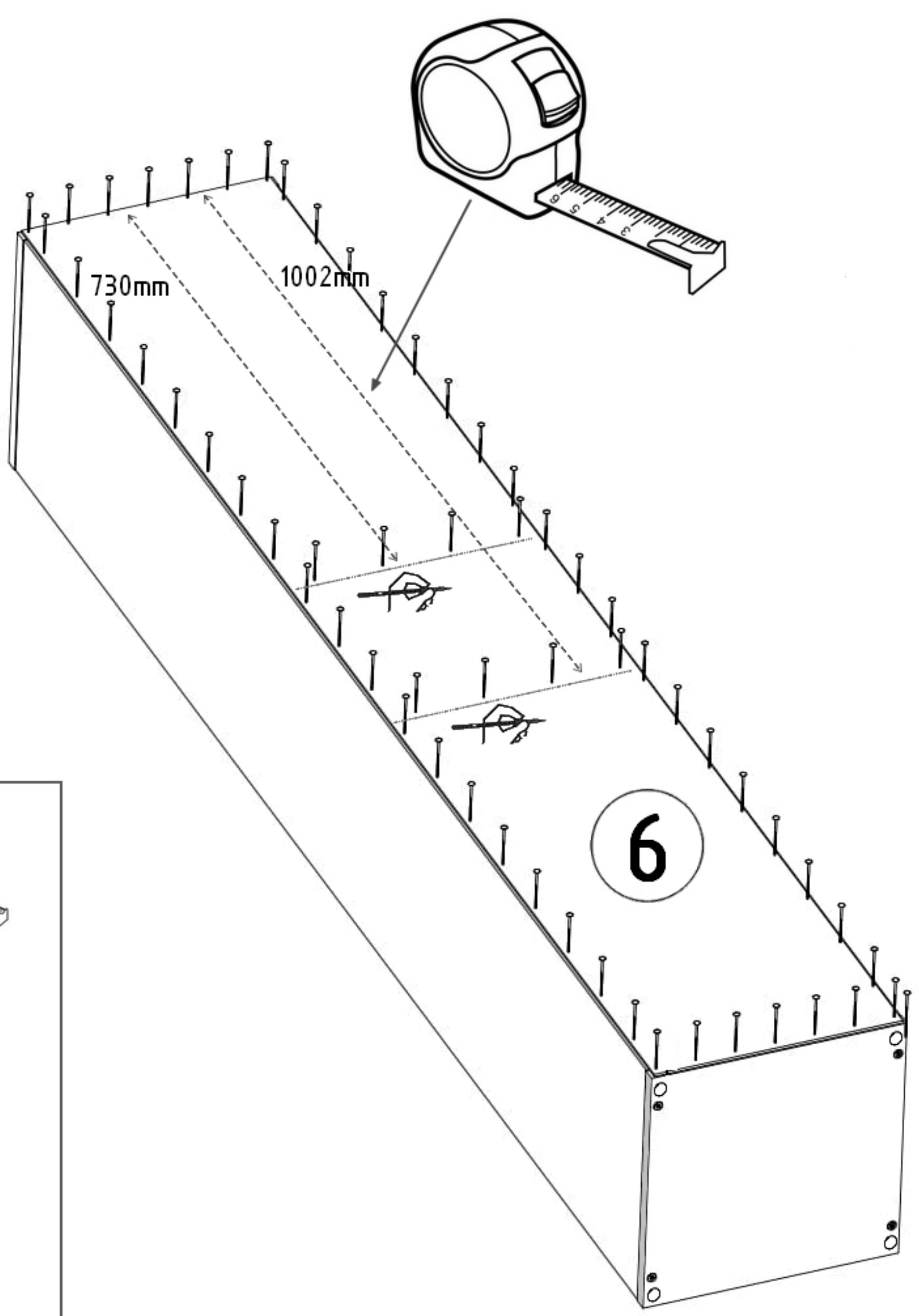
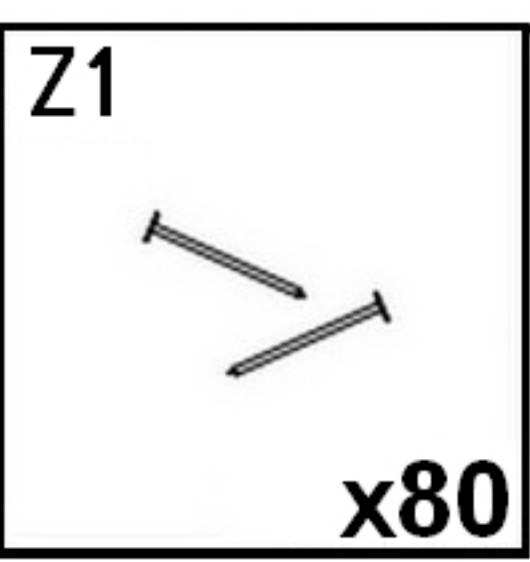
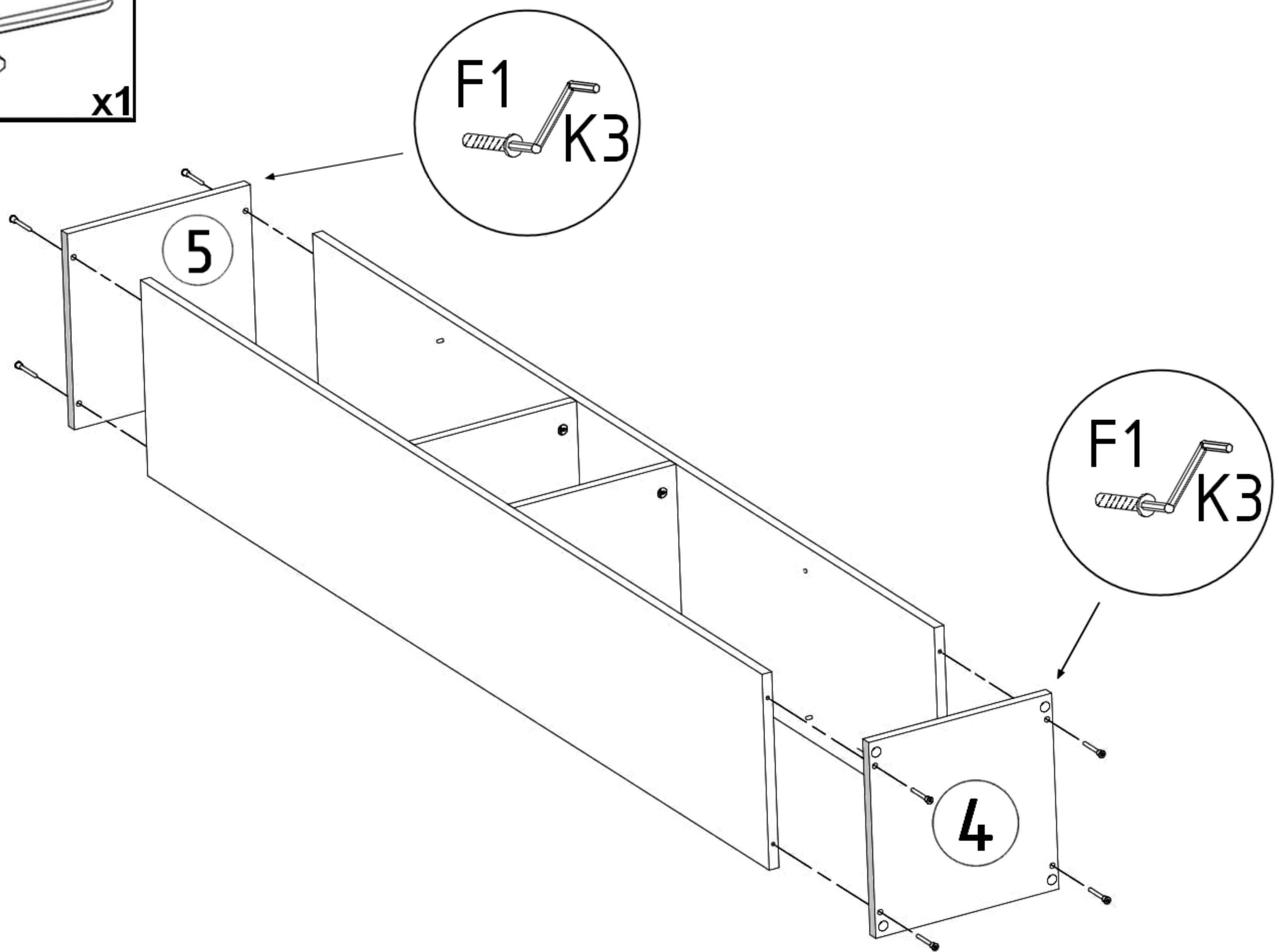
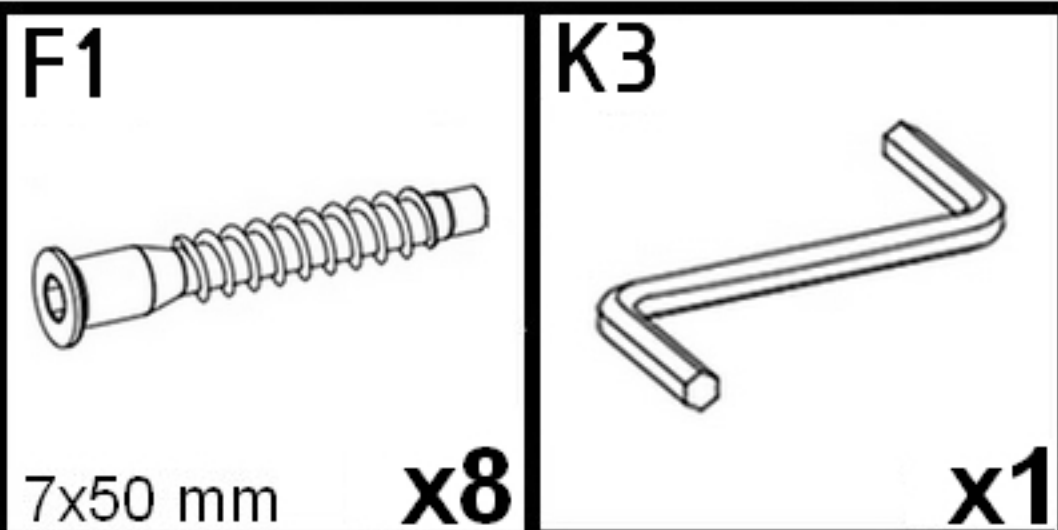
<p>!  ☹️ X</p>	<p>!  😊 ✓</p>
--	---

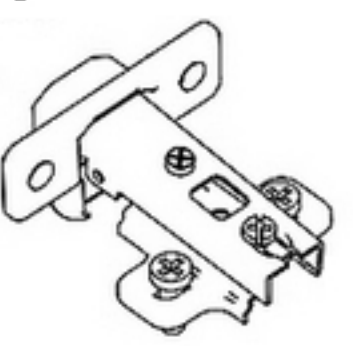
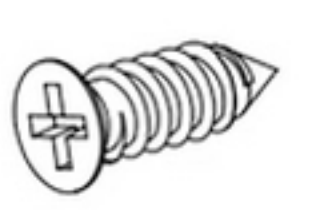
x2

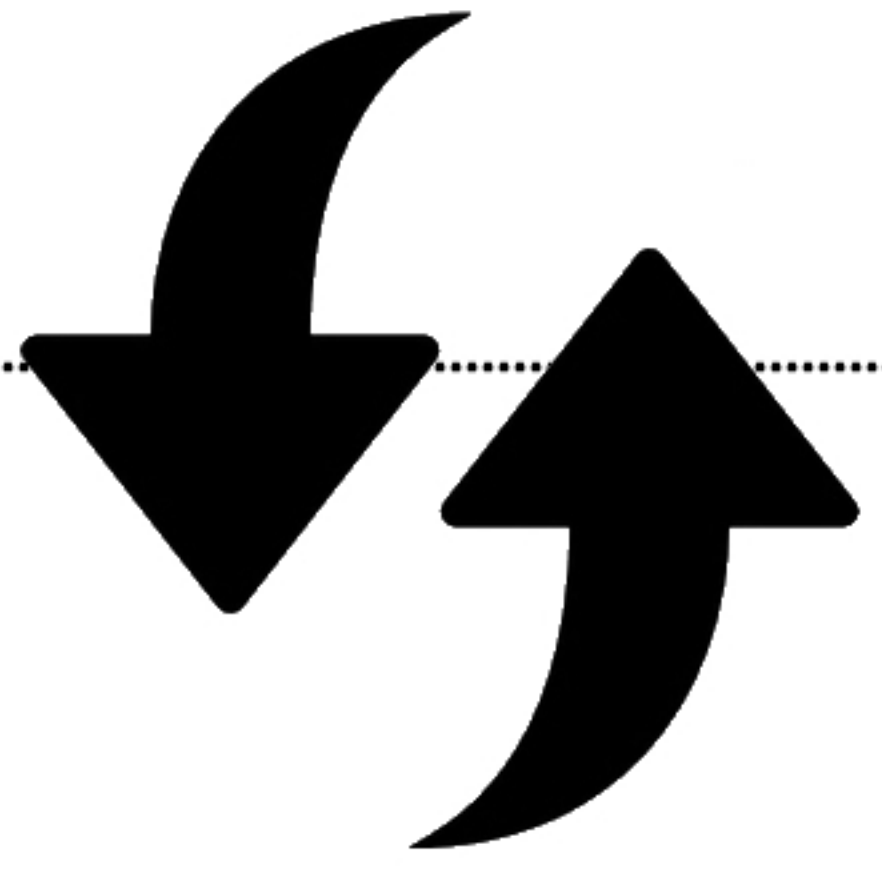
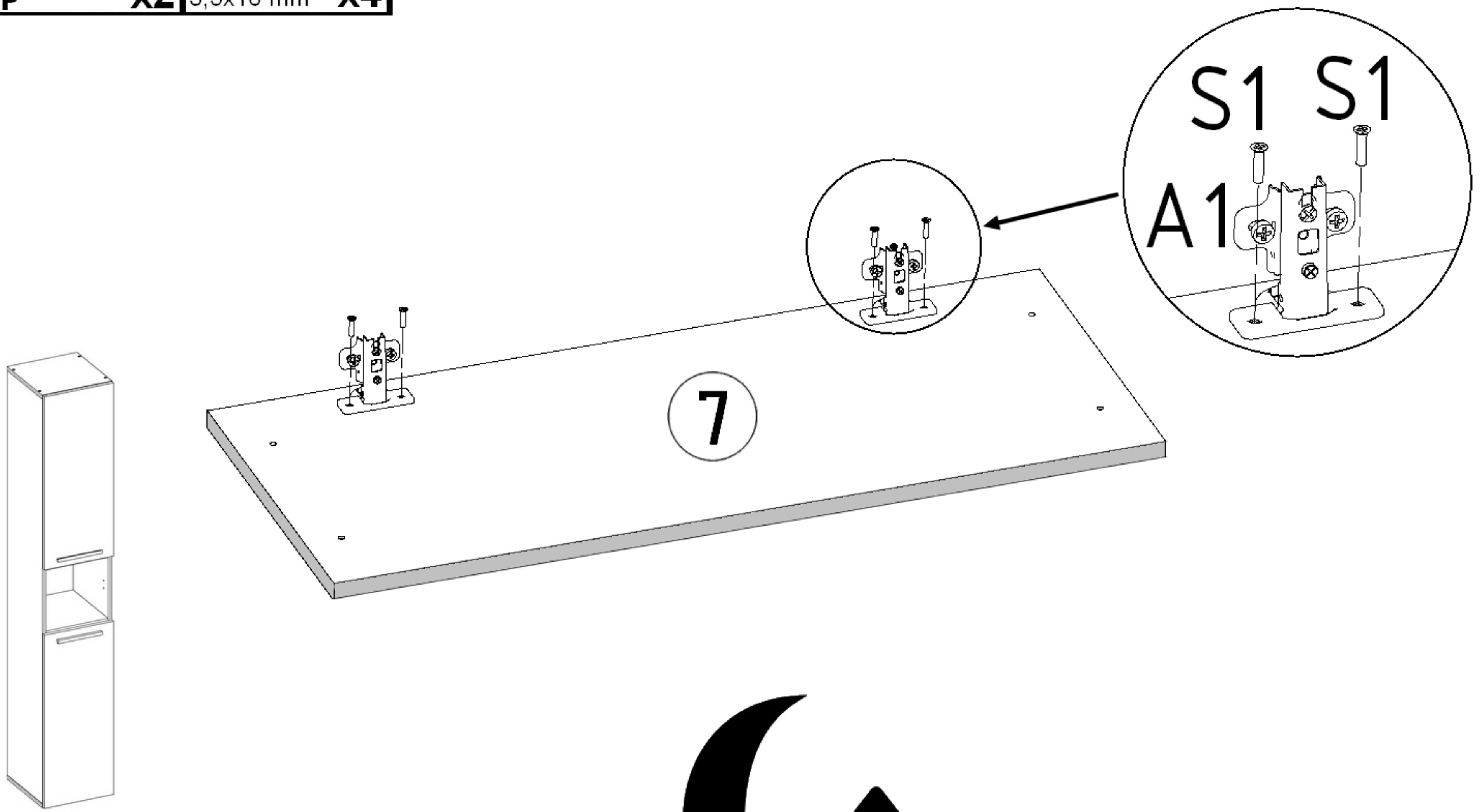
	
---	---

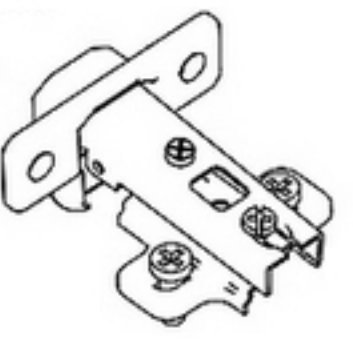
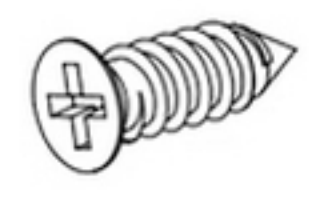


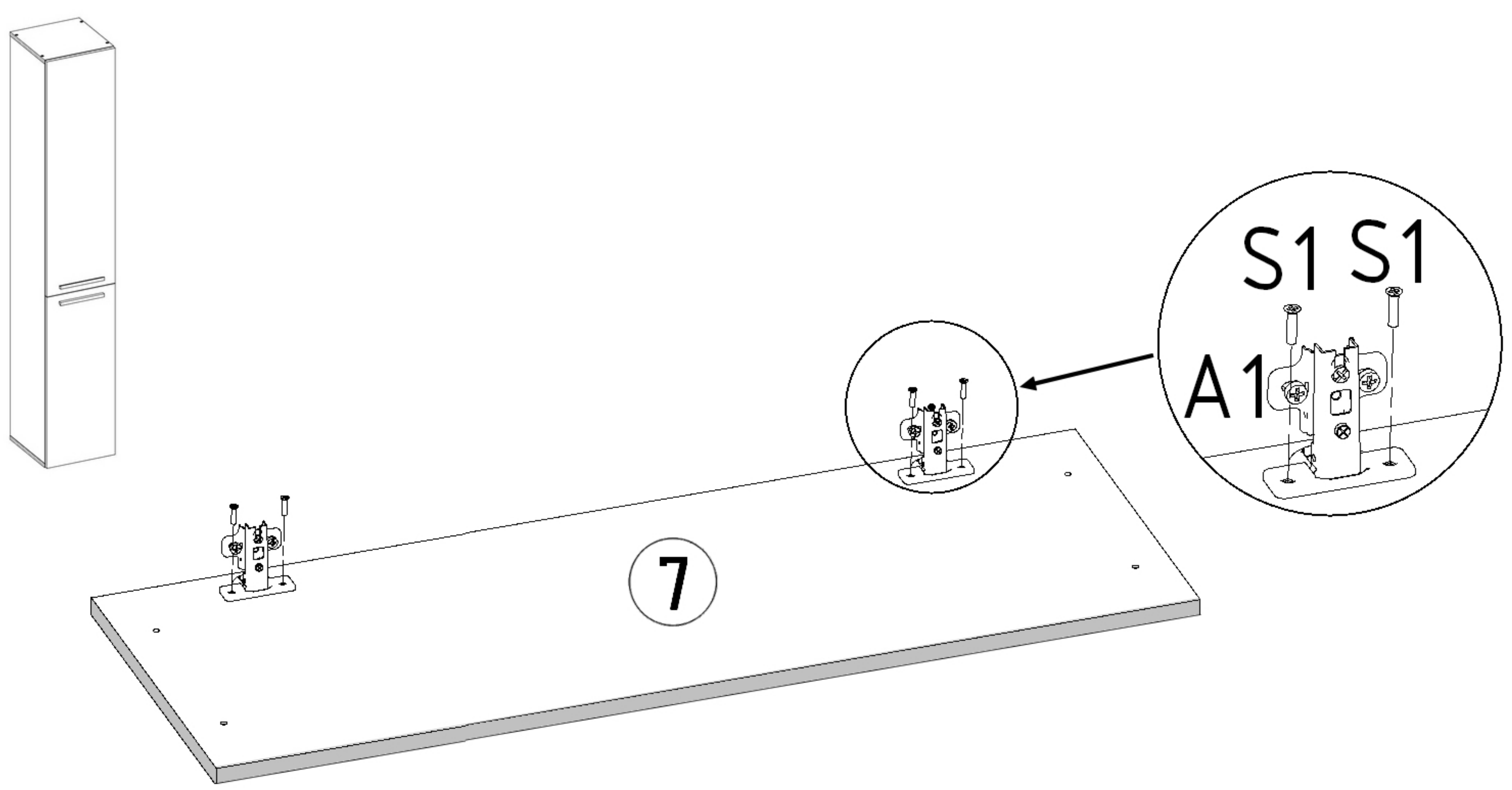


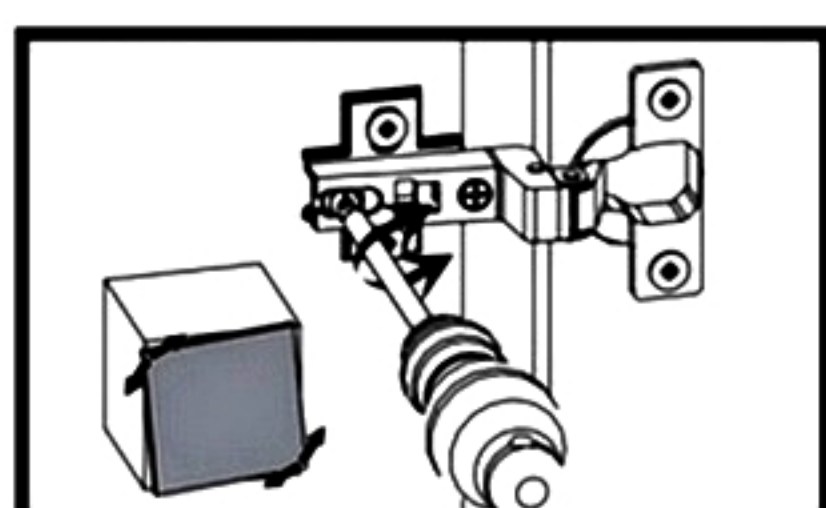
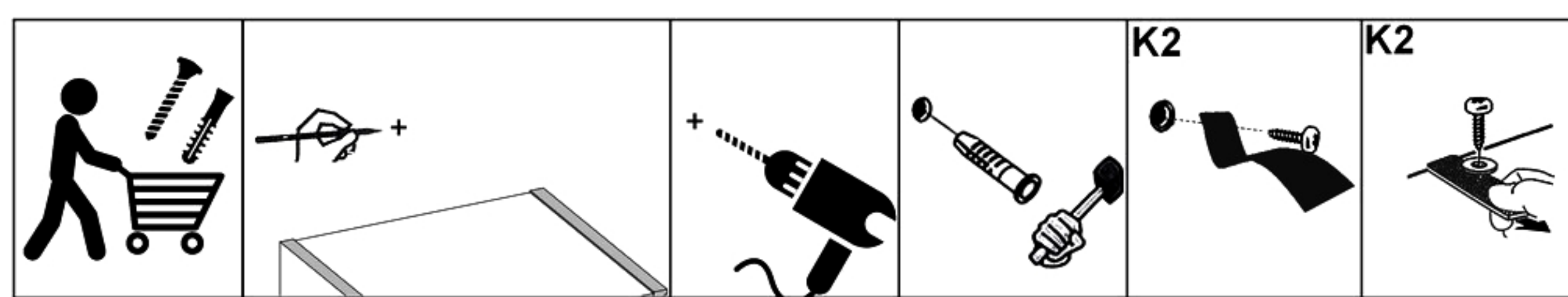
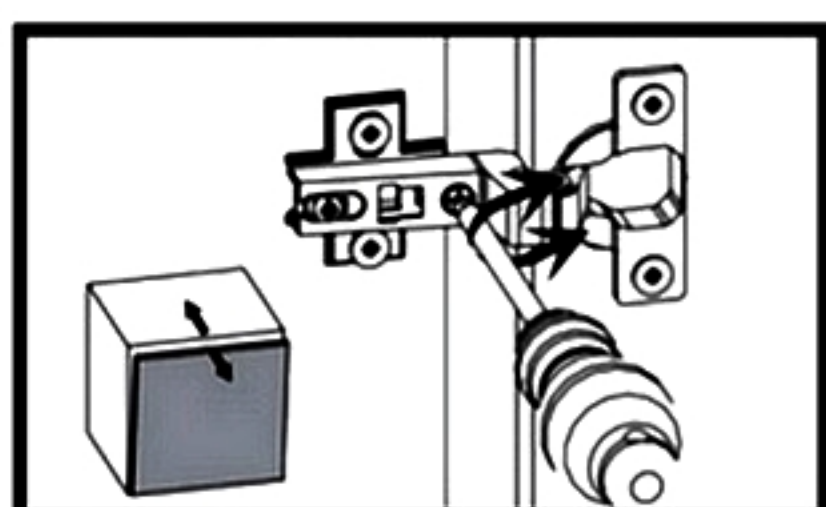
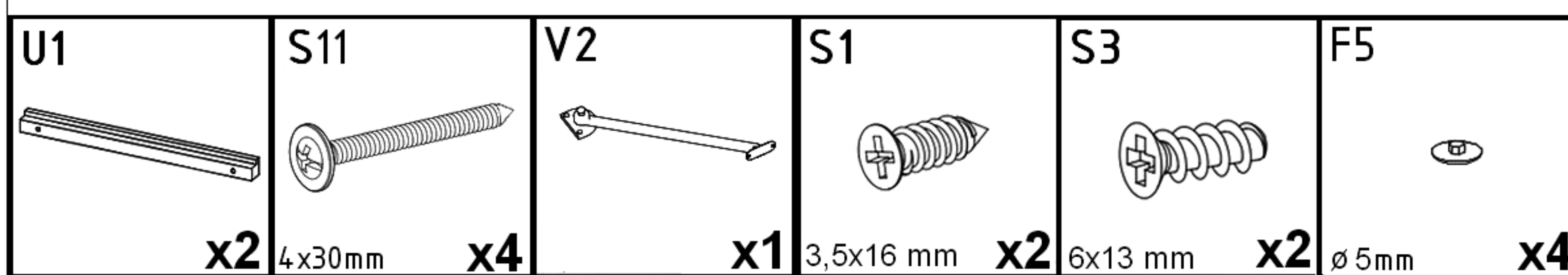
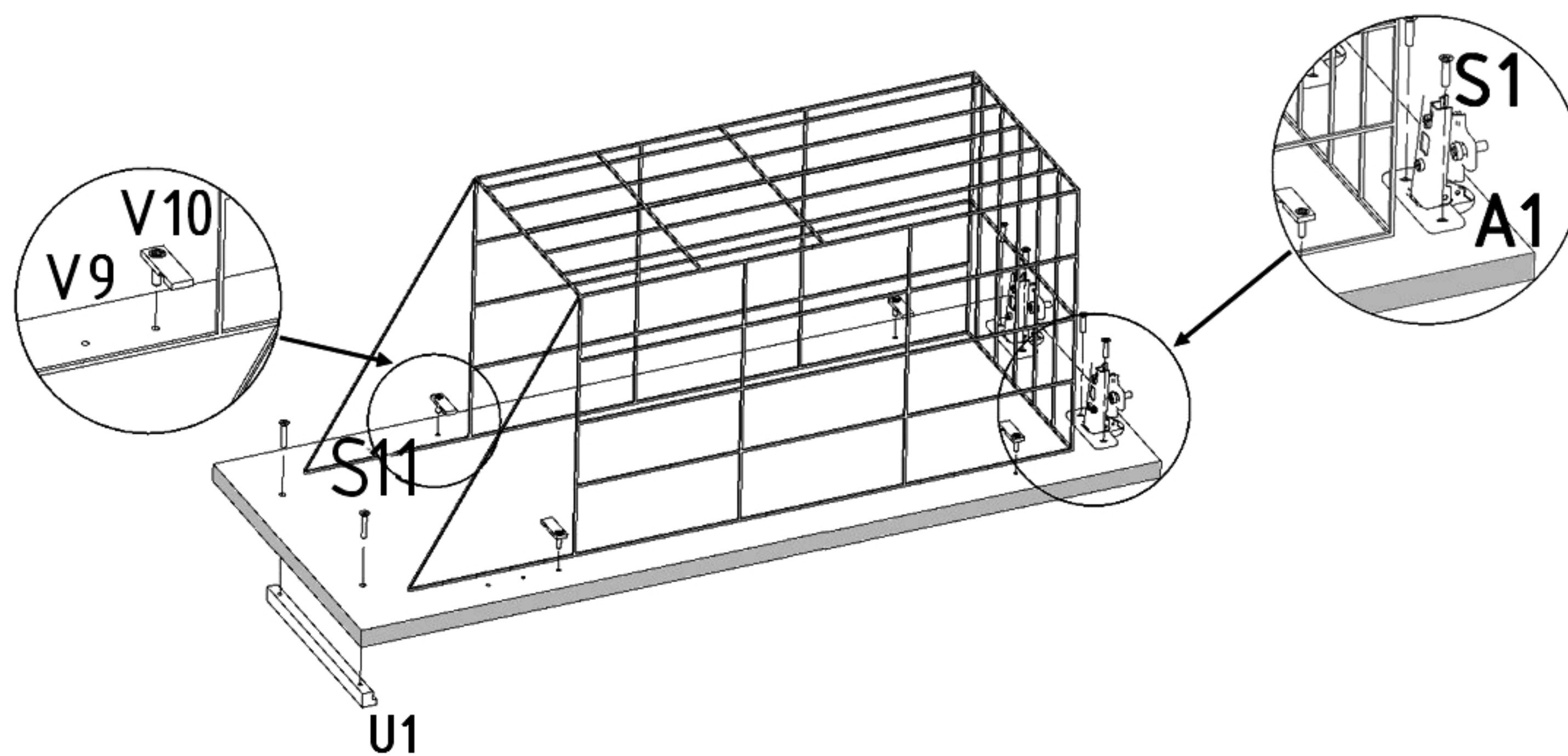
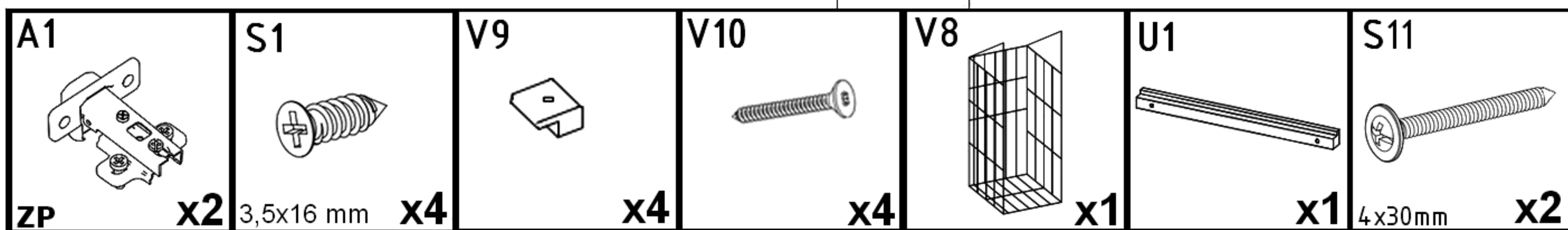


A1 	S1 
ZP x2	3,5x16 mm x4

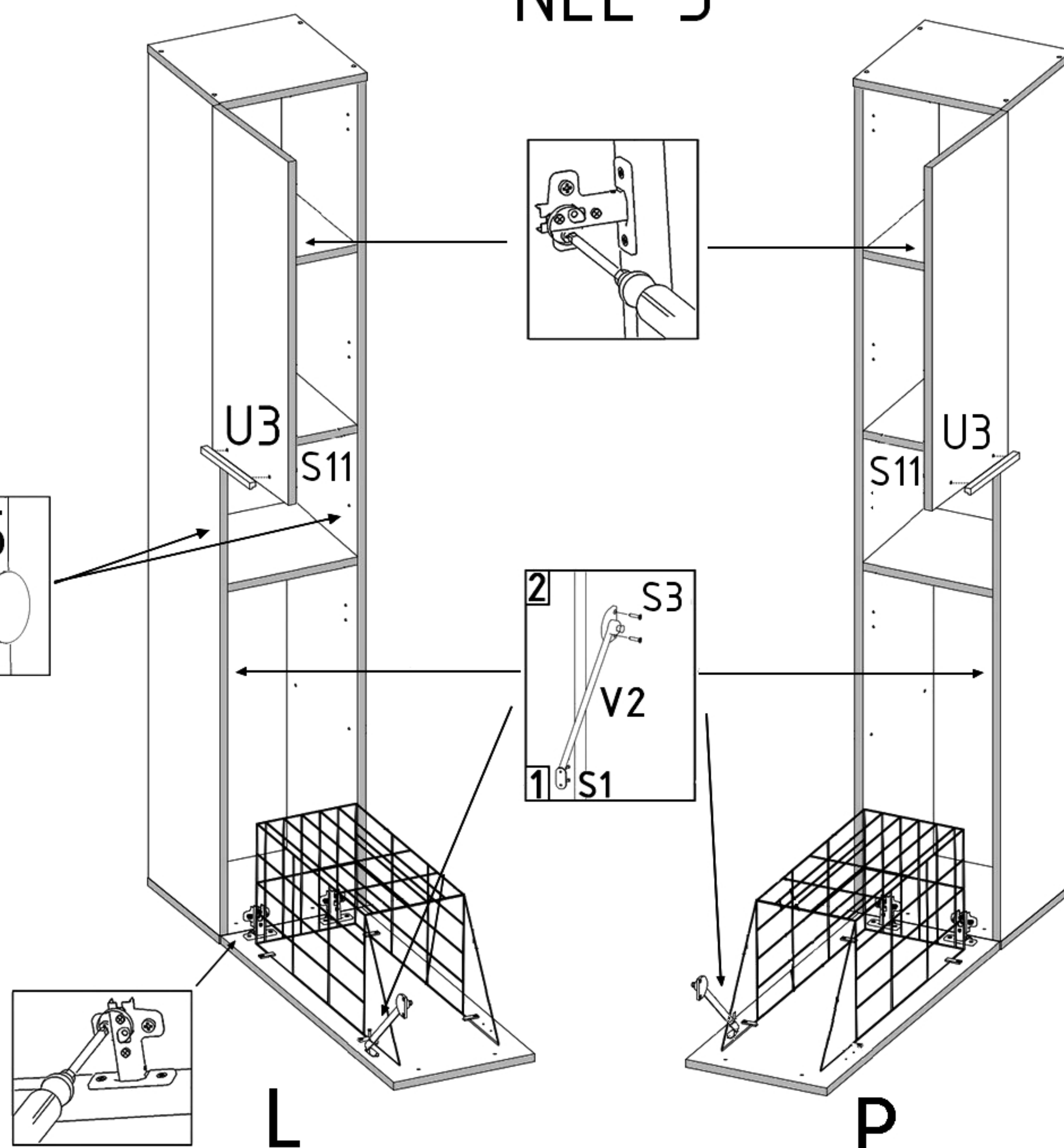
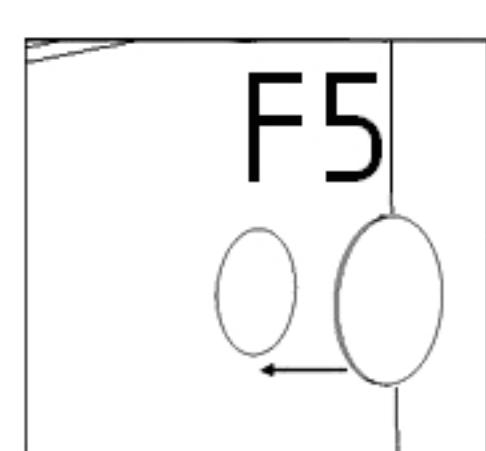
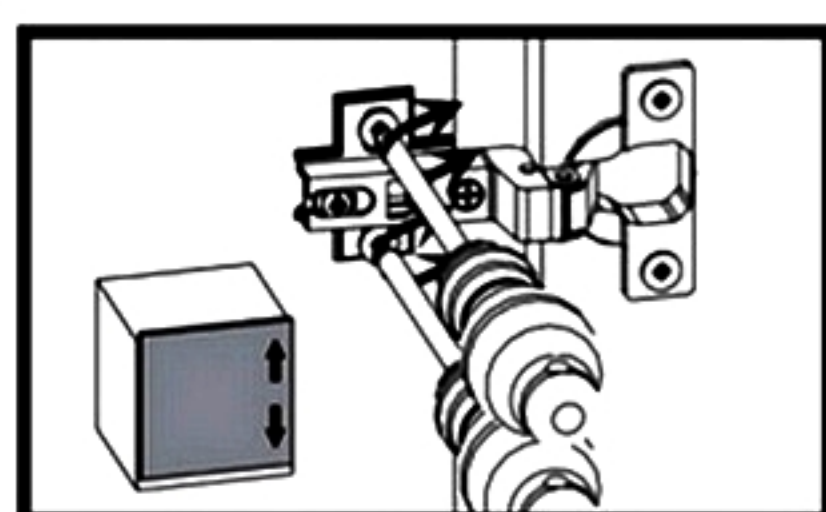


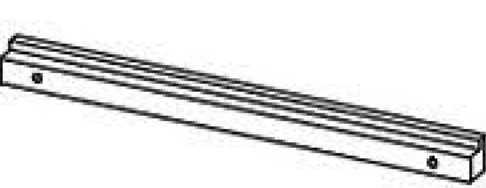
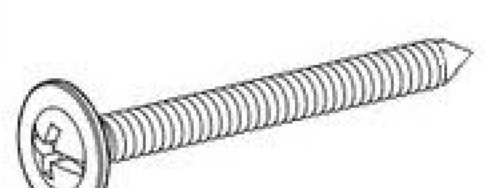



A1 	S1 
ZP x2	3,5x16 mm x4

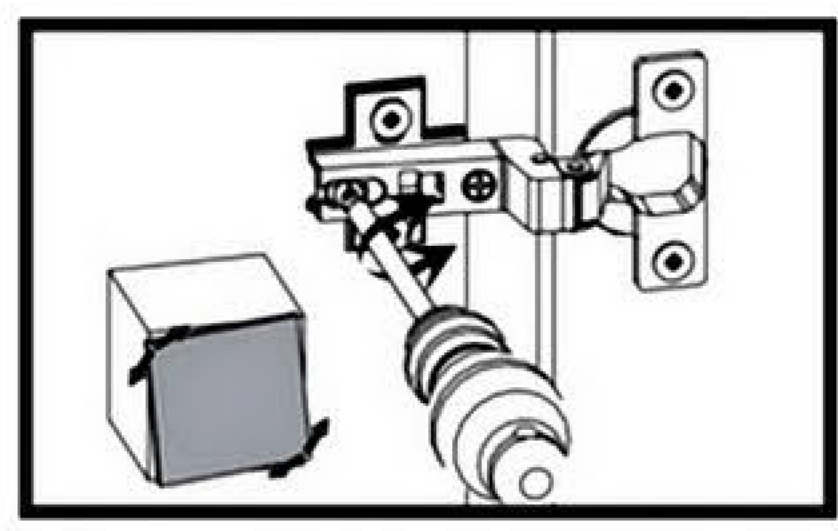
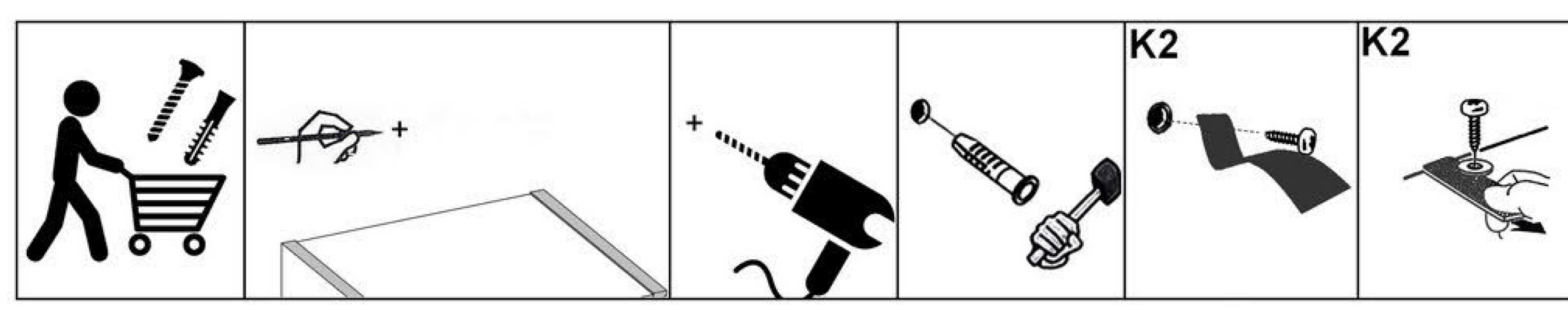
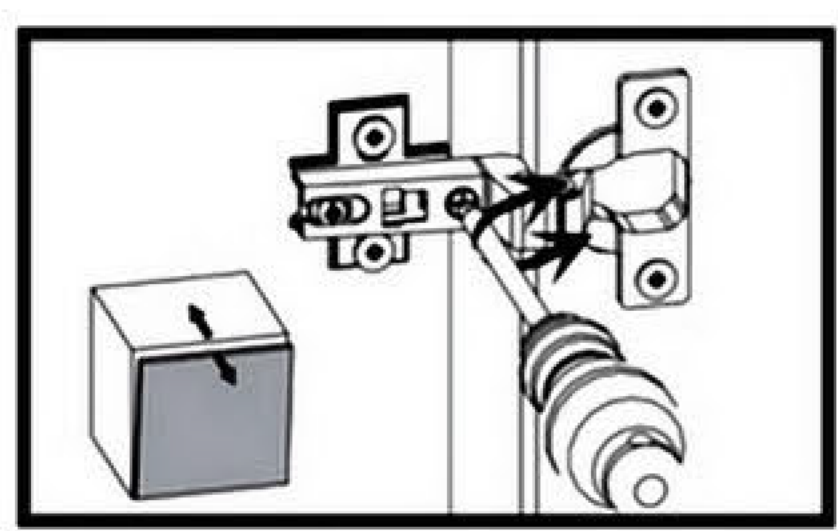




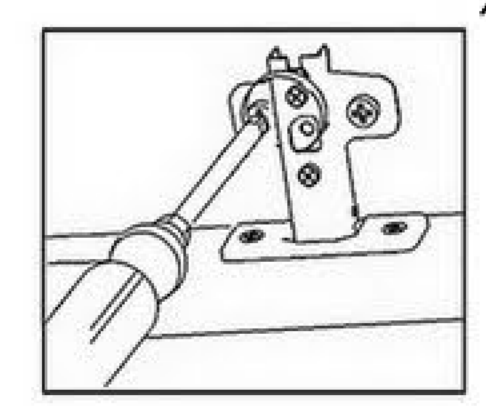
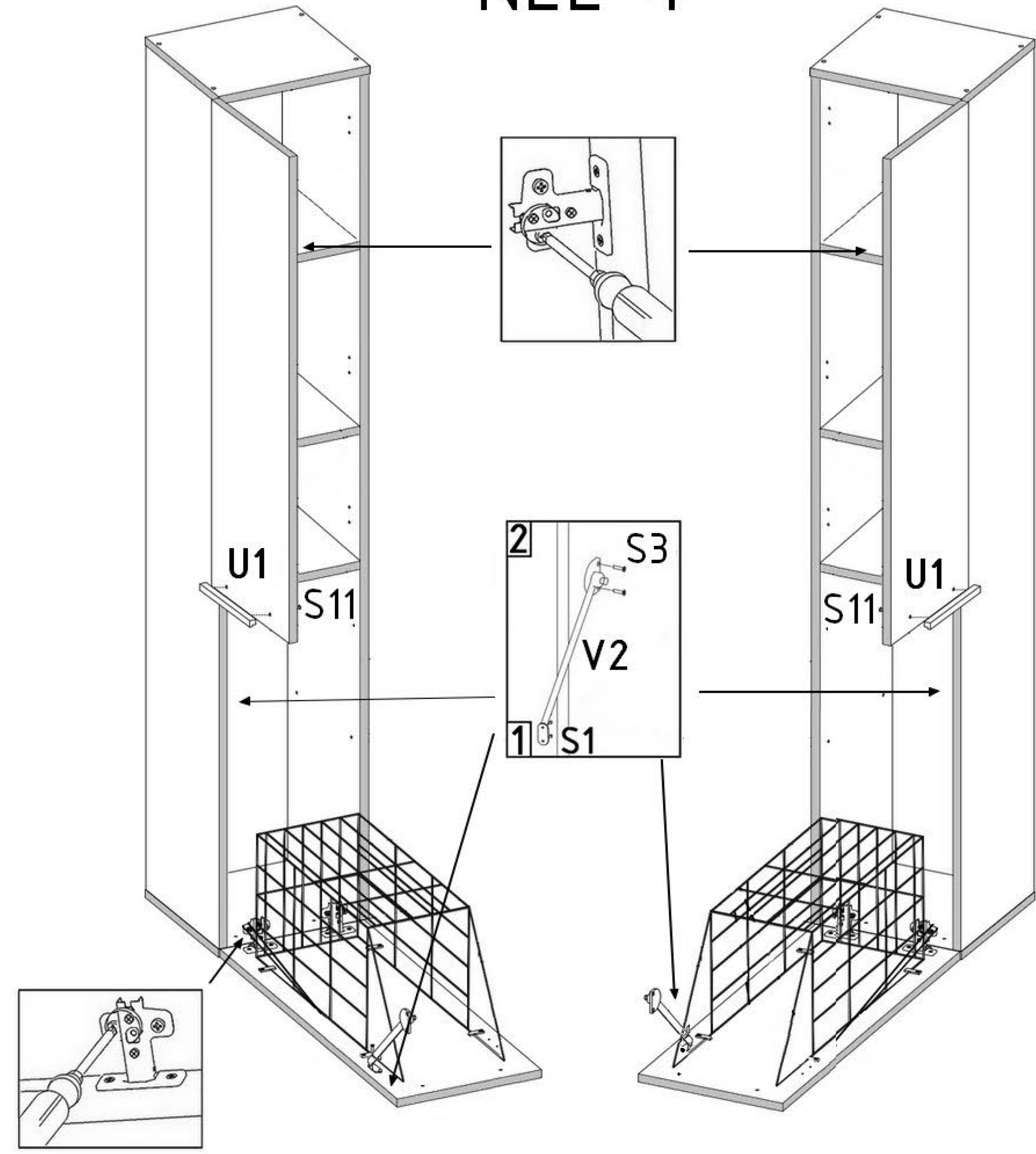
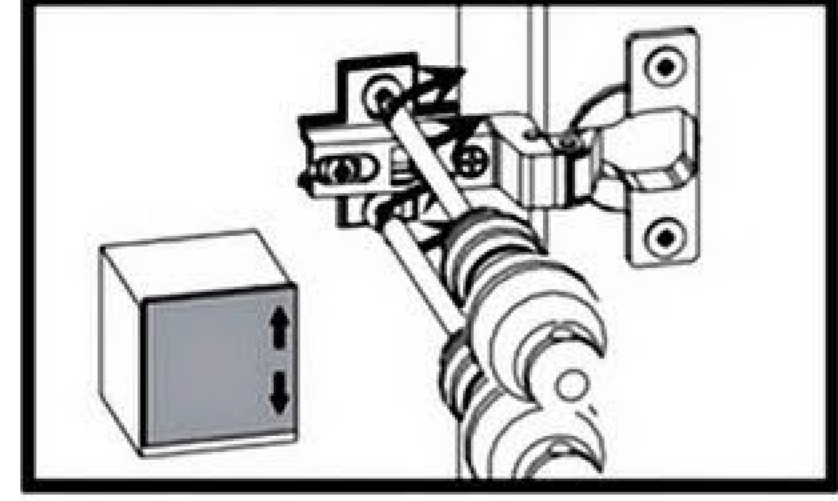
NEL 3



<p>U1</p>  <p>x2</p>	<p>S11</p>  <p>x4</p>	<p>V2</p>  <p>x1</p>	<p>S1</p>  <p>x1 3,5x16 mm</p>	<p>S3</p>  <p>x2 6x13 mm</p>
--	--	---	---	---



NEL 4



L

P