

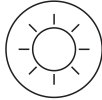
## Basic parameters:

Model	Power	Rated voltage	Rated current	Color temperature	Color rendering index	Product size
DL03	20W	5-12V DC	2A	3000K-6500K	≥95	W80*H74cm

## Product features:



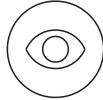
Color temperature adjustment



Brightness adjustment



No flash



Eye Protection



Adjustable Angle

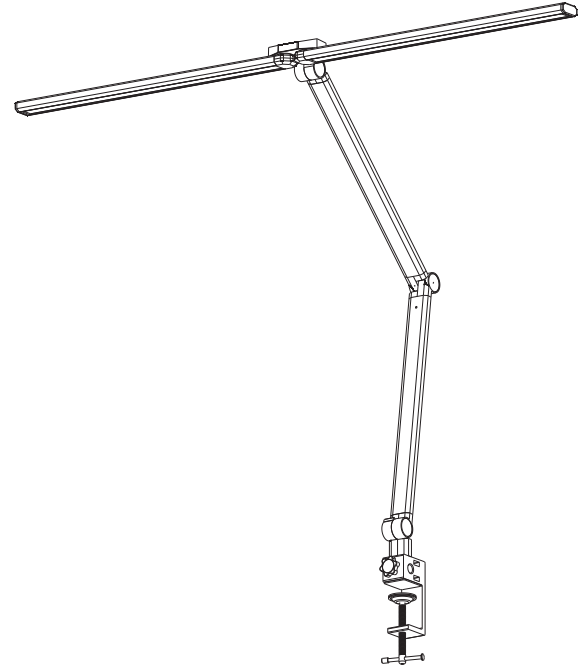


Foldable design



High color rendering index

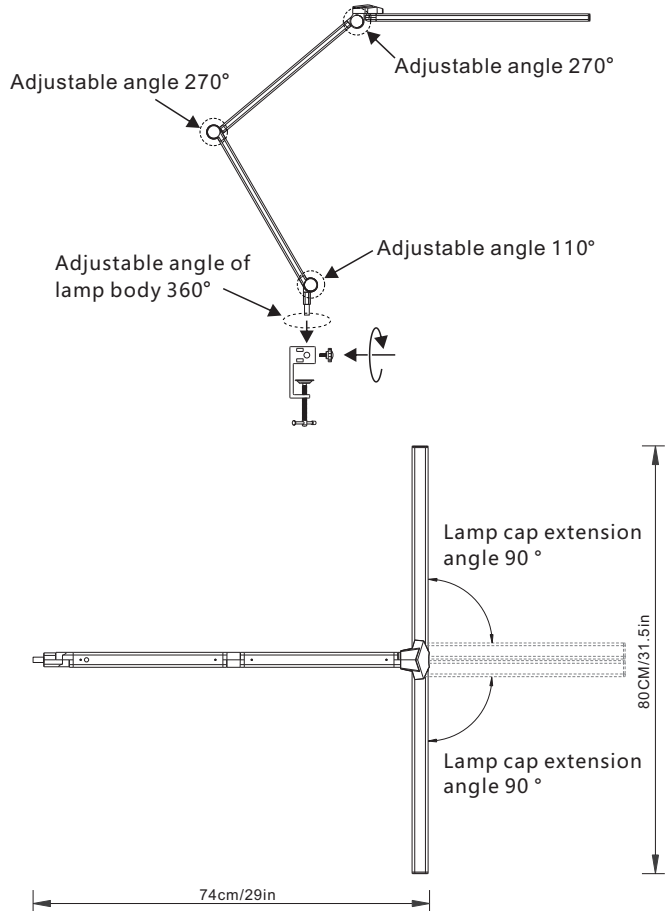
## Double Head Desk Lamp (User Guide)



## Notice:

1. Do not place this product on the surface of high temperature flammable objects or in a humid environment to avoid product damage, short circuit, fire or contact electric accident.
2. Please not use the power adapter outside the usage range.
3. Within the adjustable angle range of the table lamp, you can adjust it at will, but do not over-adjust the angle, so as to avoid lamp failure (please note that the damage caused by violent adjustment of the table lamp angle is not covered by the warranty).
4. Be sure to cut off the power supply when cleaning the product.
5. In case of product failure, please entrust professional personnel for inspection and maintenance. During the warranty period, you can contact the manufacturer for warranty.
6. In case of abnormal product, please cut off the power supply quickly and timely contact the dealer or manufacturer.

## Installation diagram:



## Instructions for controller:

