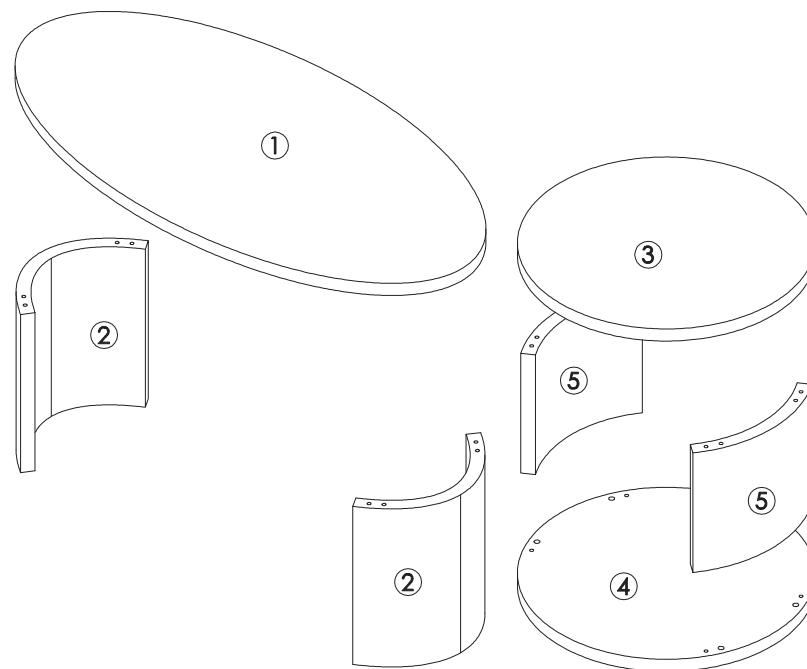


# Assembly Instructions SVEA NESTING TABLE

PLEASE NOTE: Check that you have received all components and hardware before assembling. If you are missing any parts, contact your retailer.



A (12 pcs)  
8x35mm

B (1 pc)  
(5x28x68mm)

C (8 pcs)  
10x20x2mm

D (12 pcs)  
25x3mm

6 x4

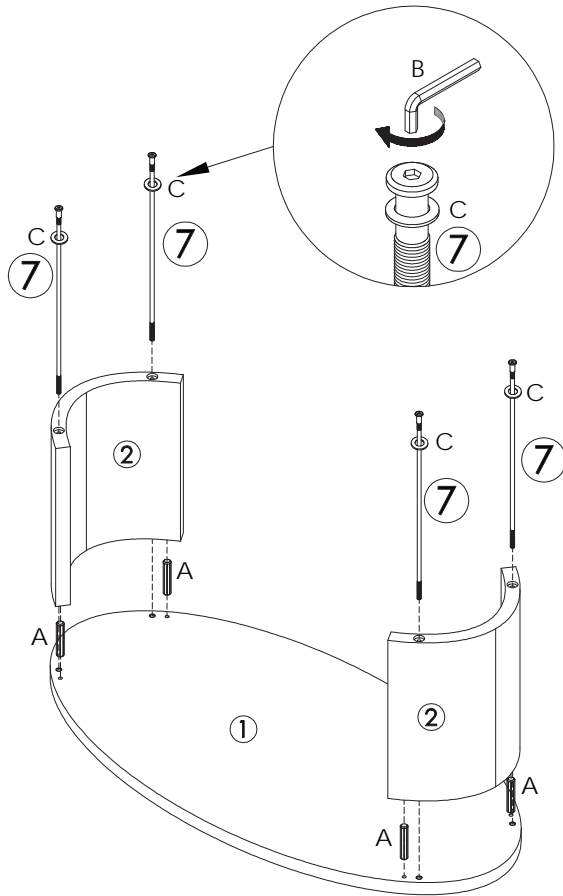
7 x4

During assembly, hand tighten screws only. When the screws are in place, tighten completely.

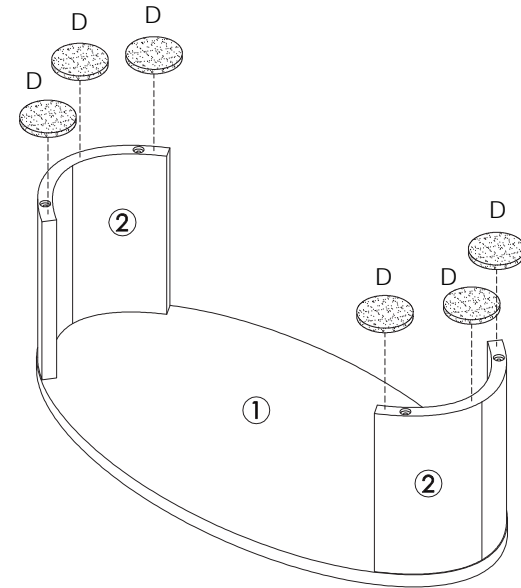
# Assembly Instructions SVEA NESTING TABLE

PLEASE NOTE: Check that you have received all components and hardware before assembling. If you are missing any parts, contact your retailer.

1



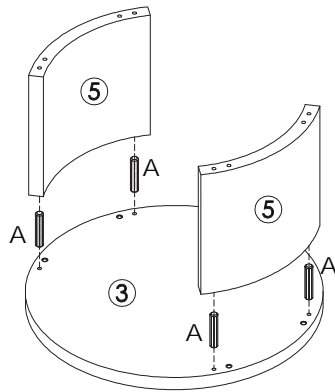
2



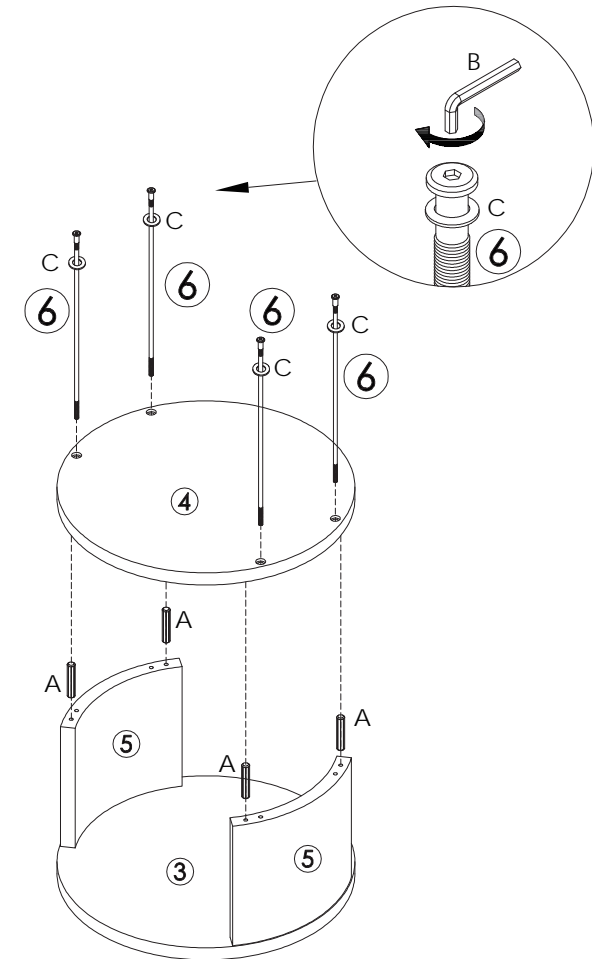
During assembly, hand tighten screws only. When the screws are in place, tighten completely.

# Assembly Instructions SVEA NESTING TABLE

3



4

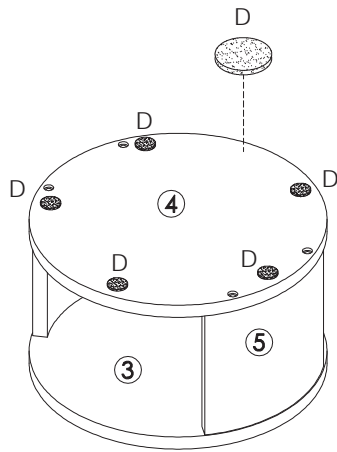


During assembly, hand tighten screws only. When the screws are in place, tighten completely.

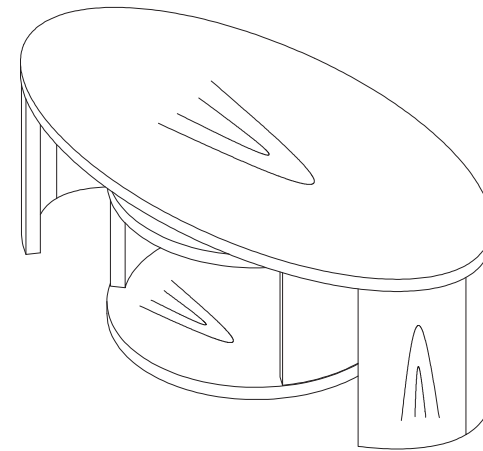
# Assembly Instructions SVEA NESTING TABLE

PLEASE NOTE: Check that you have received all components and hardware before assembling. If you are missing any parts, contact your retailer.

5



6



During assembly, hand tighten screws only. When the screws are in place, tighten completely.