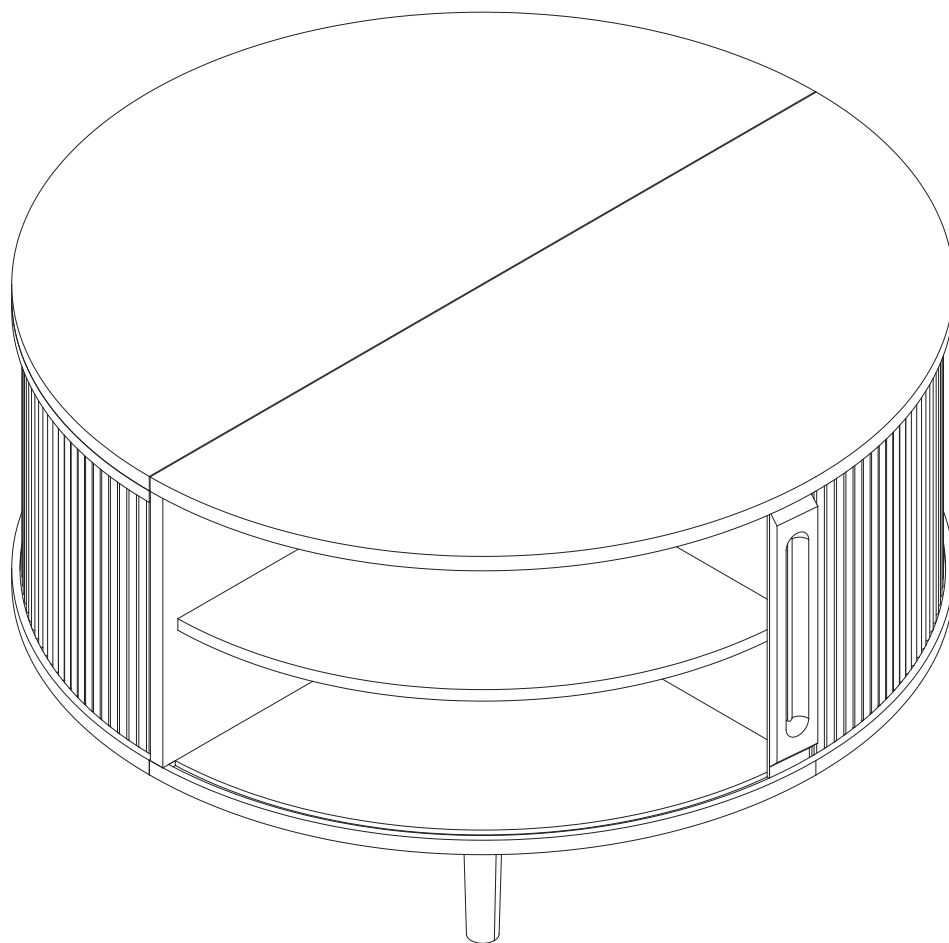

COFFEE TABLE

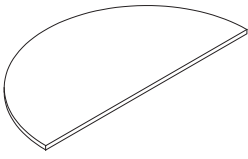
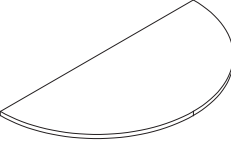
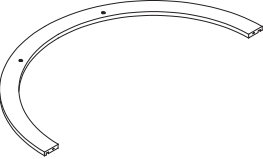
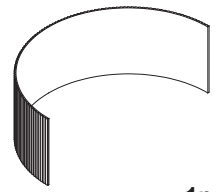

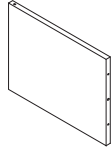
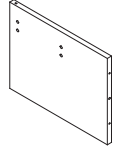
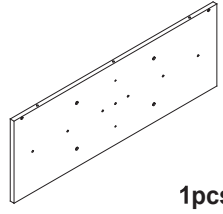
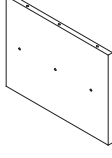
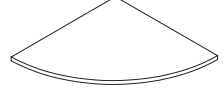
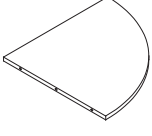
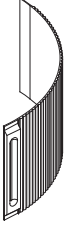
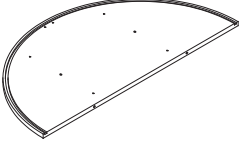
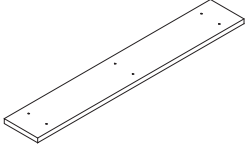
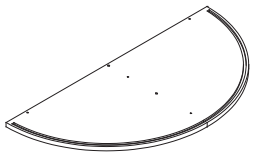

- Instruction Manual



Size: 31.5 x 31.5 x17.7 in



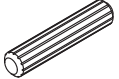
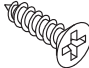

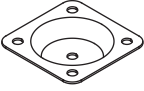

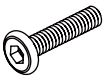
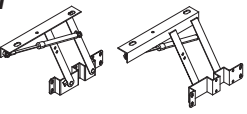
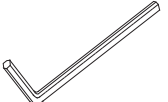
List Of Installation Parts

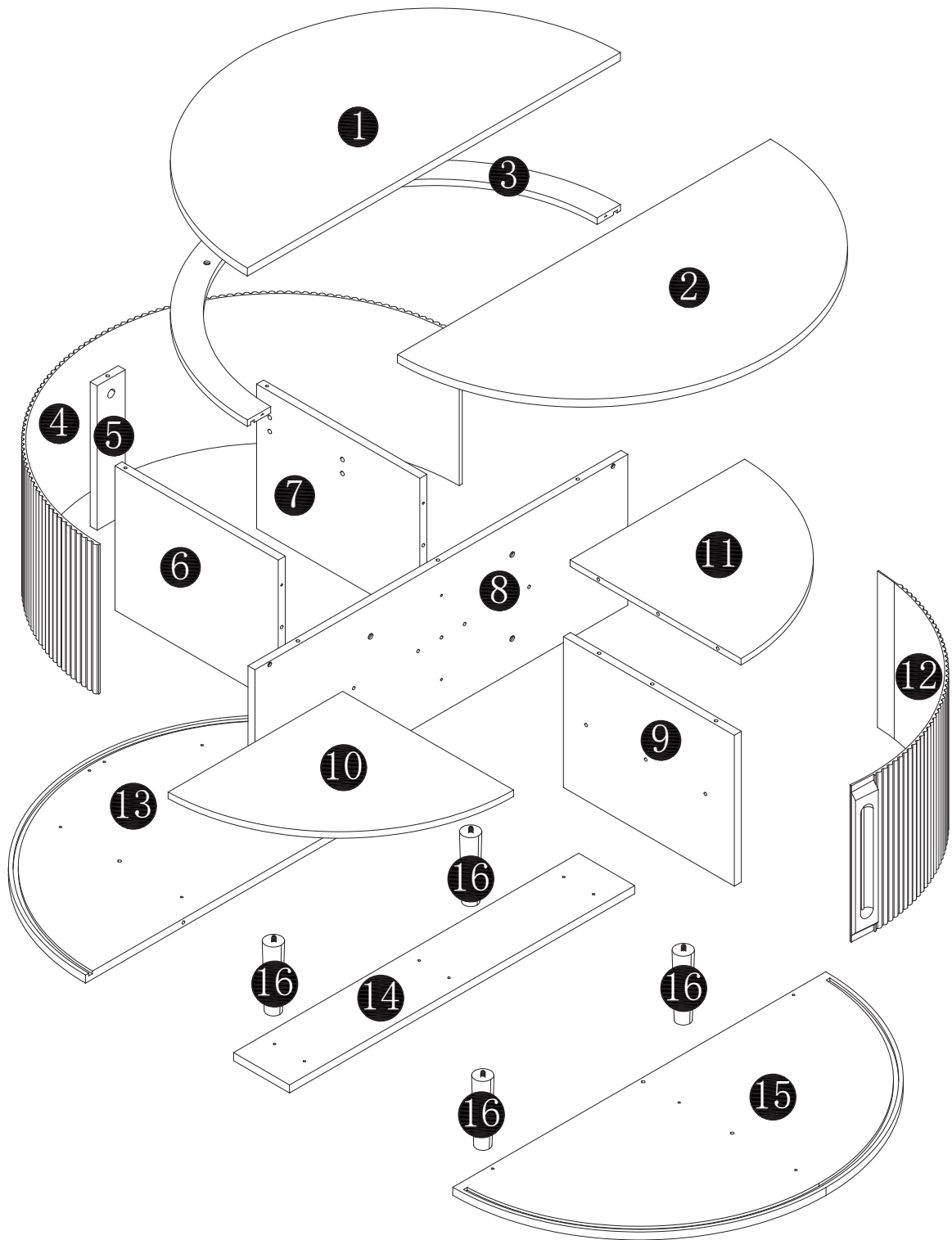
● Before installation, please check all parts for any missing components.

<p>1</p>  <p>1pcs</p>	<p>2</p>  <p>1pcs</p>	<p>3</p>  <p>1pcs</p>	<p>4</p>  <p>1pcs</p>	<p>5</p>  <p>1pcs</p>
<p>6</p>  <p>1pcs</p>	<p>7</p>  <p>1pcs</p>	<p>8</p>  <p>1pcs</p>	<p>9</p>  <p>1pcs</p>	<p>10</p>  <p>1pcs</p>
<p>11</p>  <p>1pcs</p>	<p>12</p>  <p>1pcs</p>	<p>13</p>  <p>1pcs</p>	<p>14</p>  <p>1pcs</p>	<p>15</p>  <p>1pcs</p>
<p>16</p>  <p>4pcs</p>				

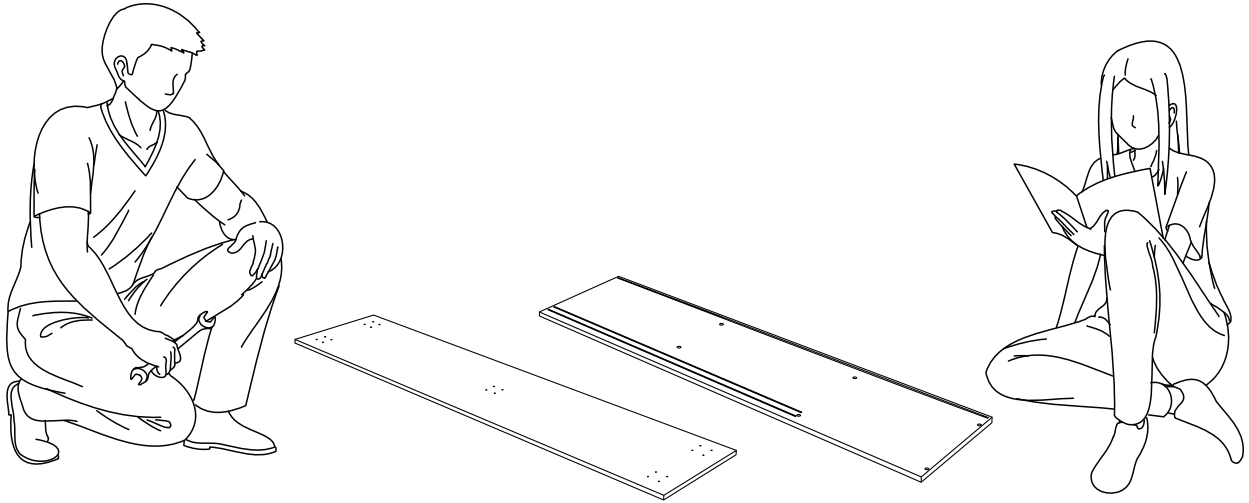
List Of Installation Parts

● Before installation, please check all parts for any missing components.

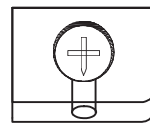
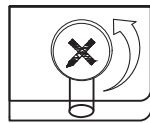
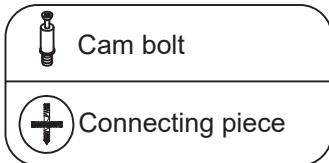
<p>A 6x35mm</p>  <p>13+1pcs</p>	<p>B</p>  <p>13+1pcs</p>	<p>6x30mm</p>  <p>12+1pcs</p>	<p>D 4x12mm</p>  <p>16 +2pcs</p>	<p>E 3.5x35mm</p>  <p>6+2pcs</p>
<p>F</p>  <p>4pcs</p>	<p>G M6x12mm</p>  <p>12+1pcs</p>	<p>H M6x25mm</p>  <p>6+1pcs</p>	<p>I</p>  <p>1pc</p>	<p>J</p>  <p>1pc</p>



**This furniture requires 2 people to assemble.
Make sure no parts missing or damaged before assembly.**

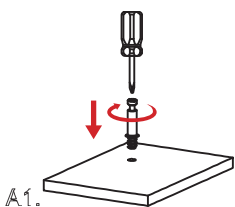
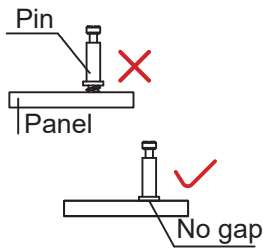


Cam Bolt Installation As Below

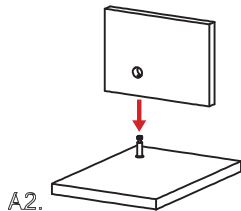


Rotate connecting piece if found in the position illustrated above.

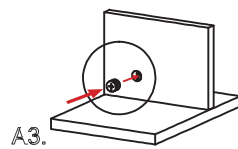
Correct orientation to receive bolts.



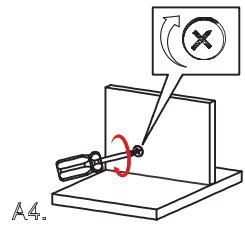
A1.



A2.



A3.



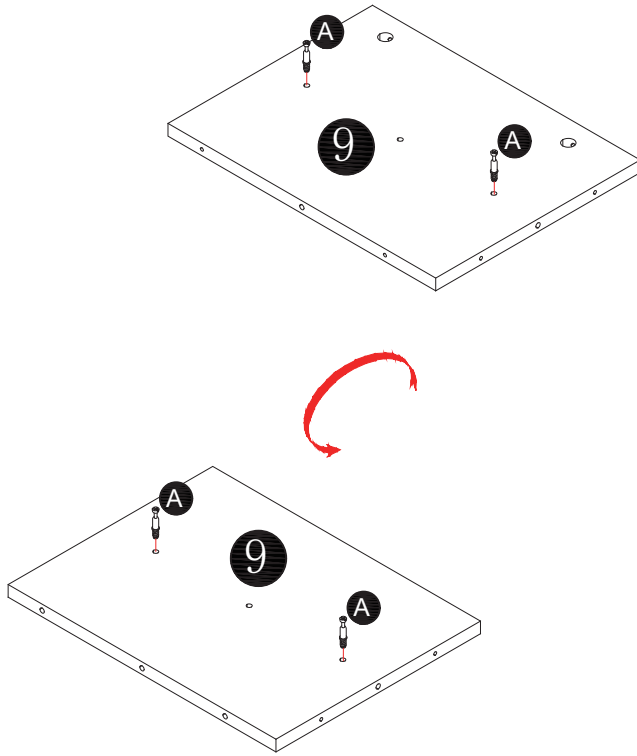
A4.

**YOU MAY NEED
(NOT SUPPLIED)**

CAUTION: Please confirm the parts list before installation.



Step:1

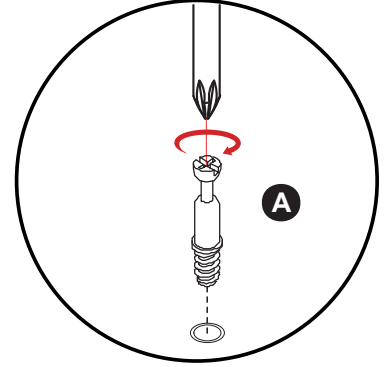


A

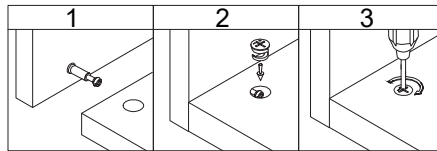


6*35

4PCS



Step:2



B

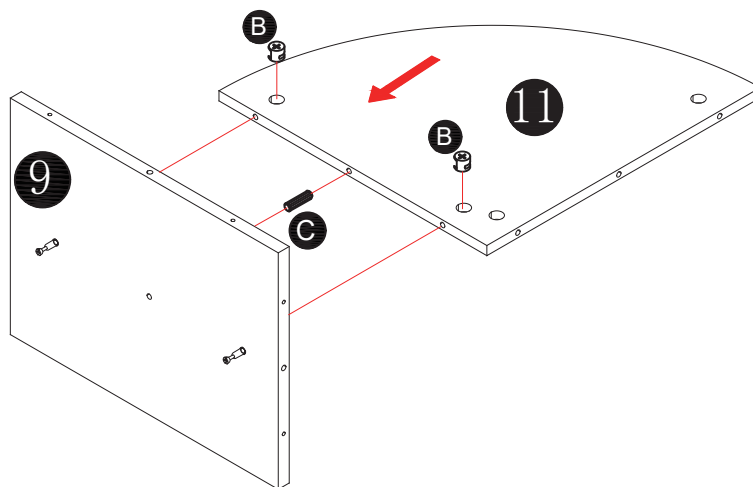


Ø15*10 2PCS

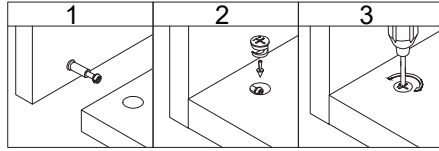
C




1PC



Step:3




B

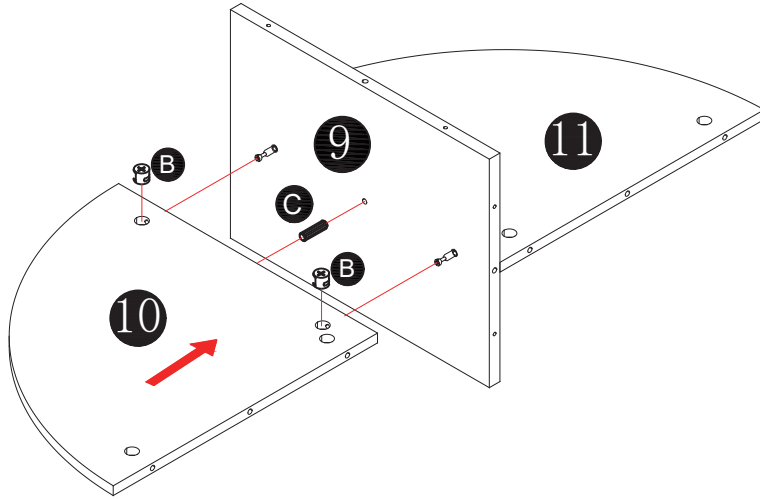


Ø15*10 2PCS

C




1PC

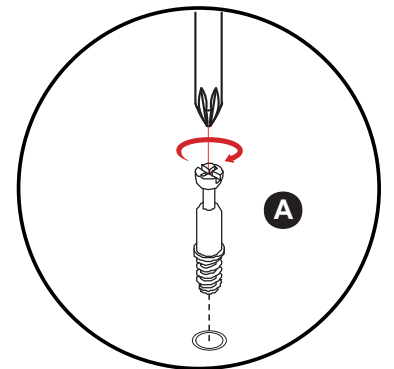
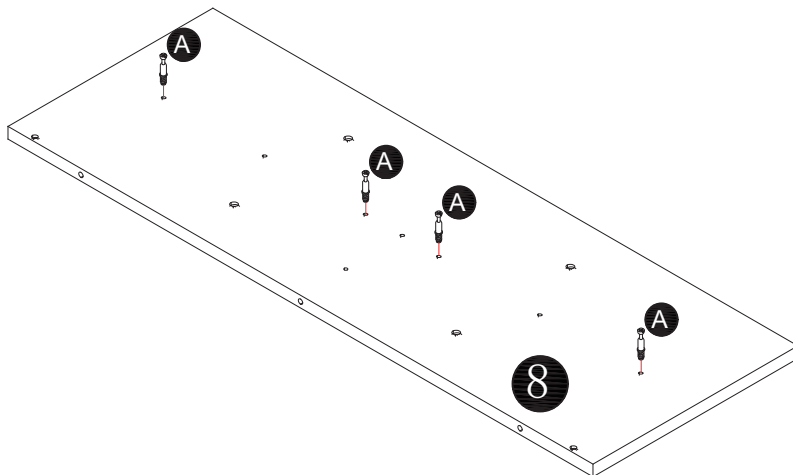


Step:4

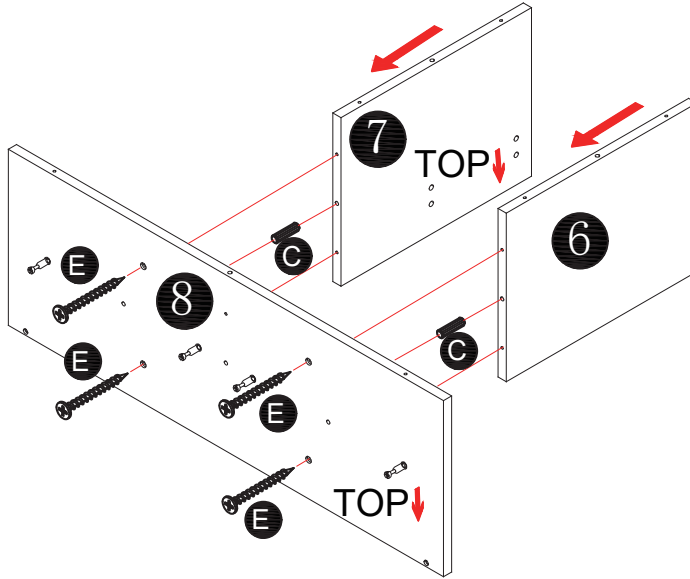
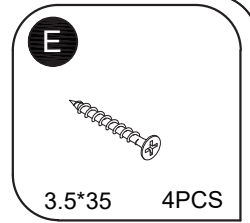
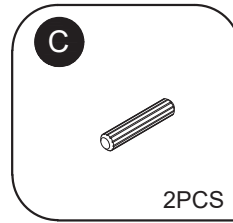
A



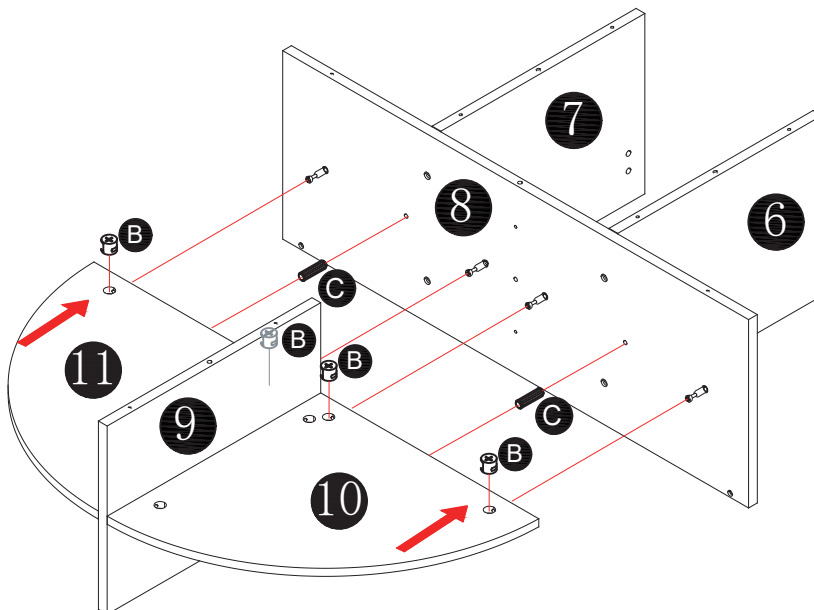
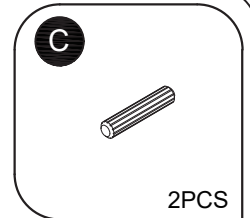
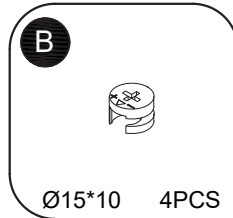
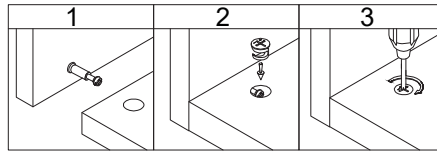
6*35 4PCS



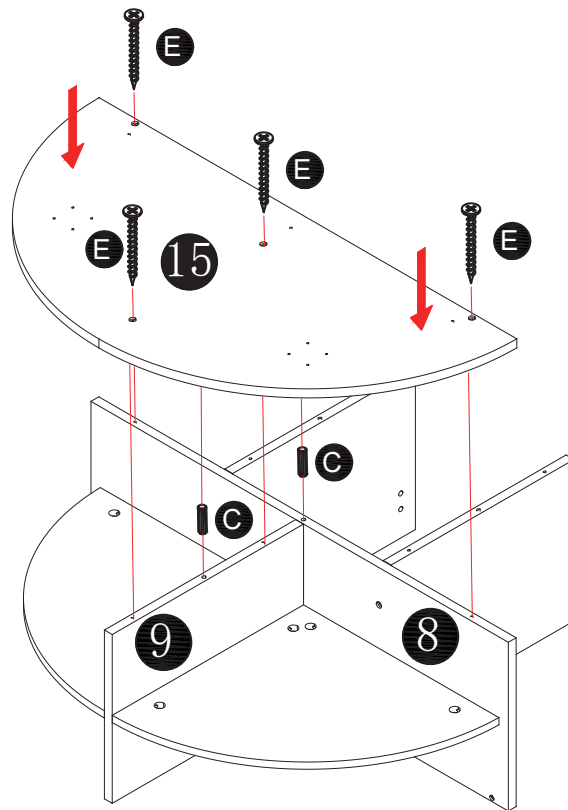
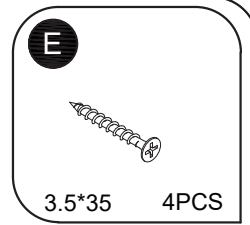
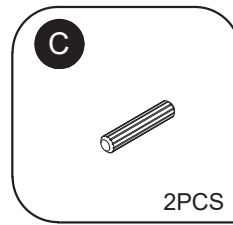
Step:5



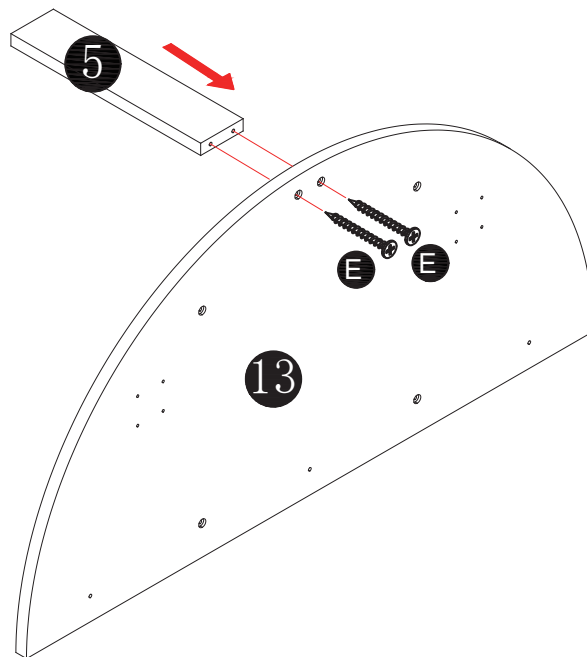
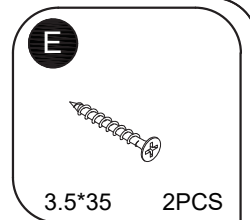
Step:6



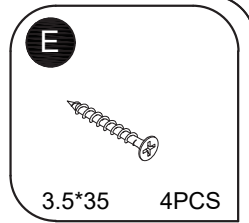
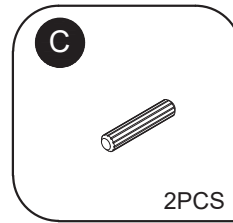
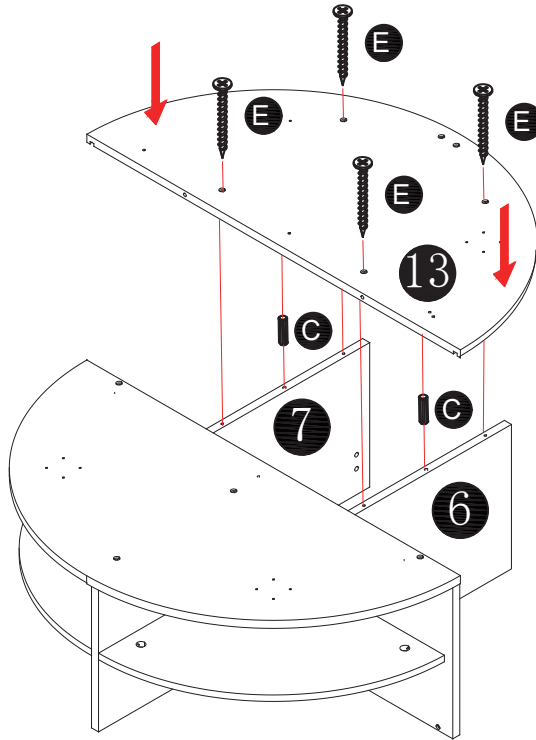
Step:7



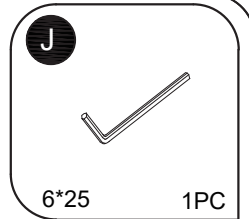
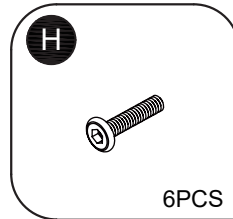
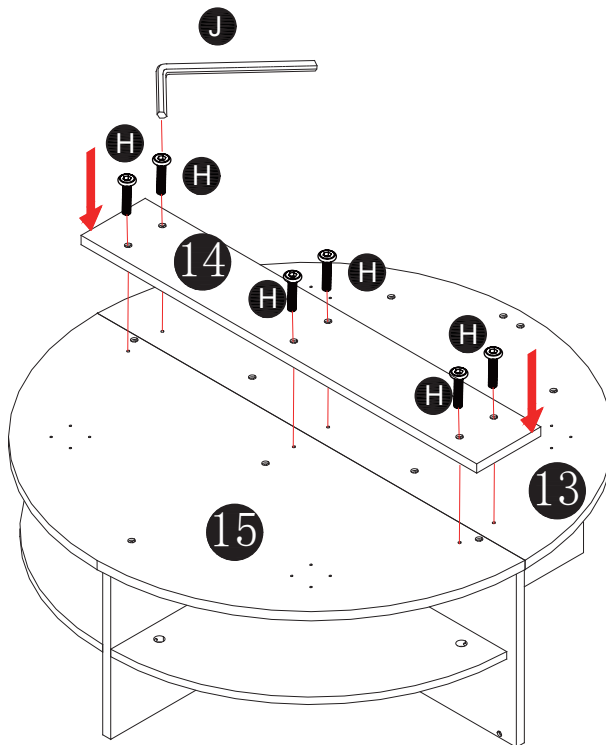
Step:8



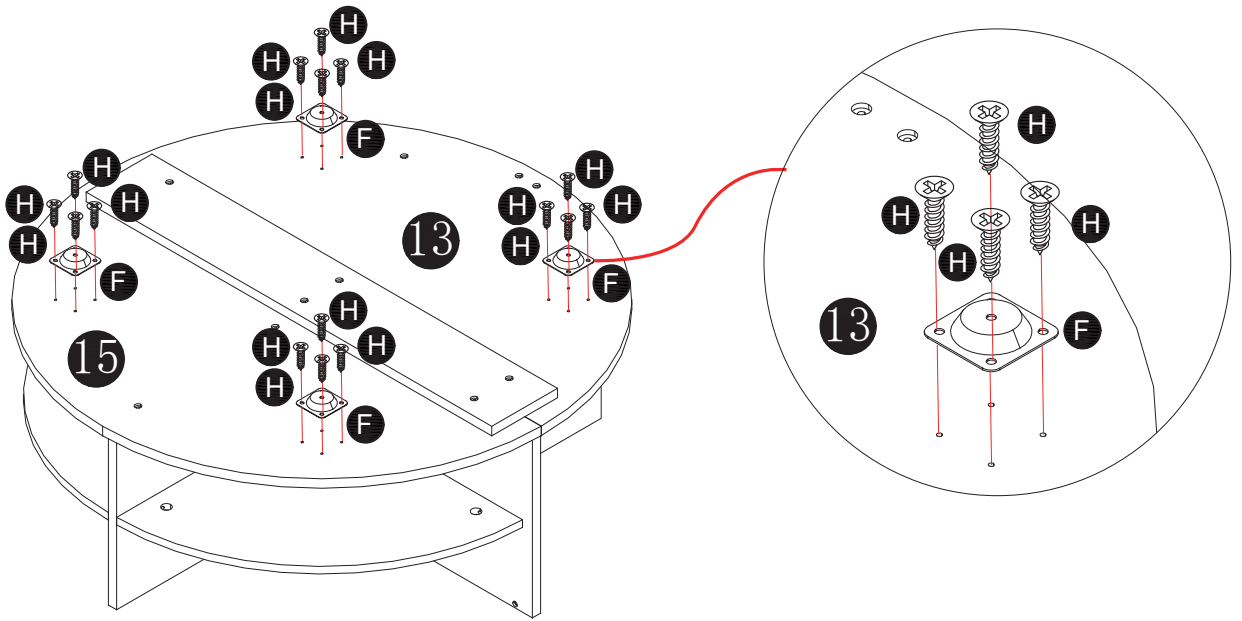
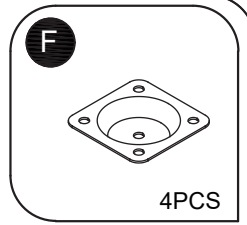
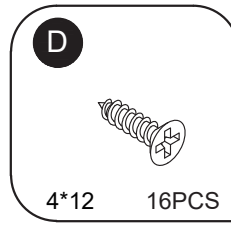
Step:9



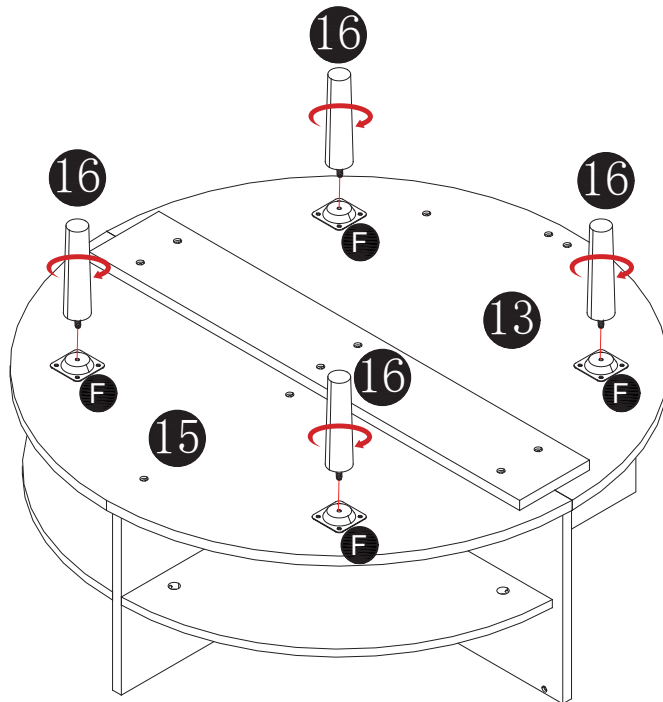
Step:10



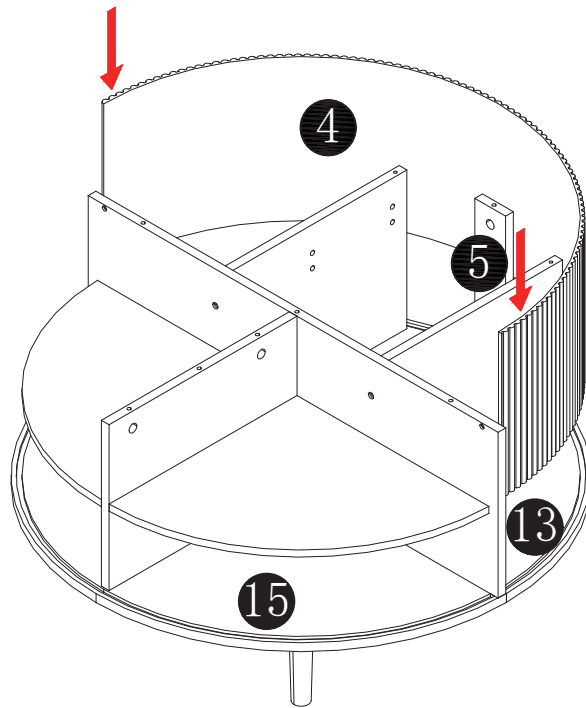
Step:11



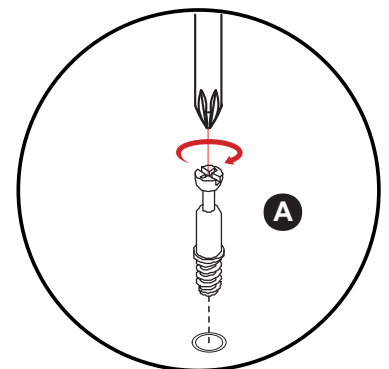
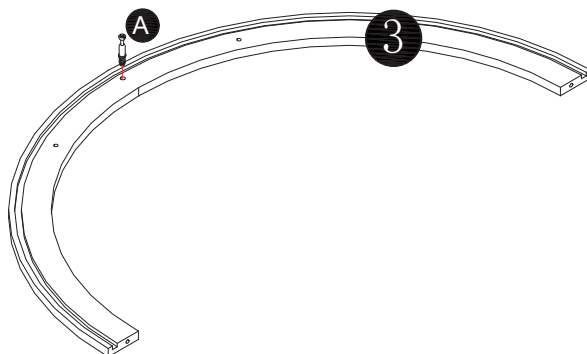
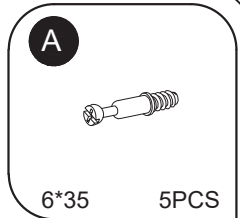
Step:12



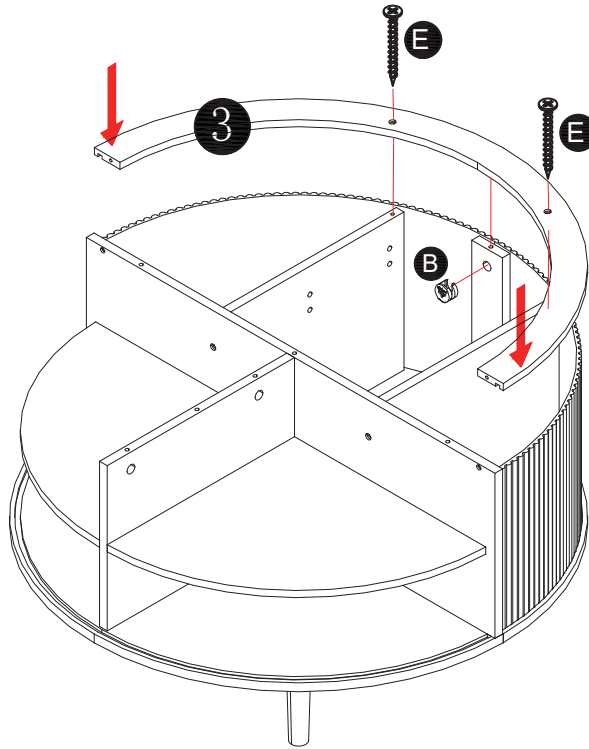
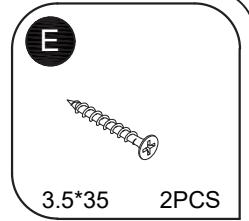
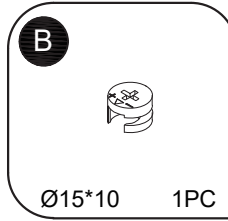
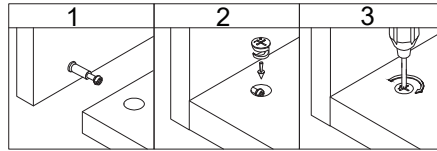
Step:13



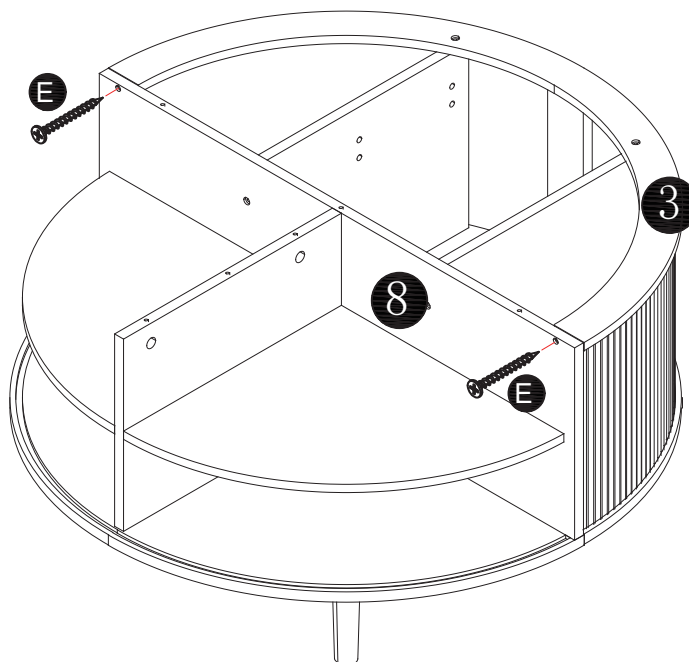
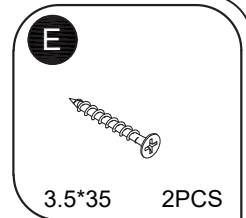
Step:14



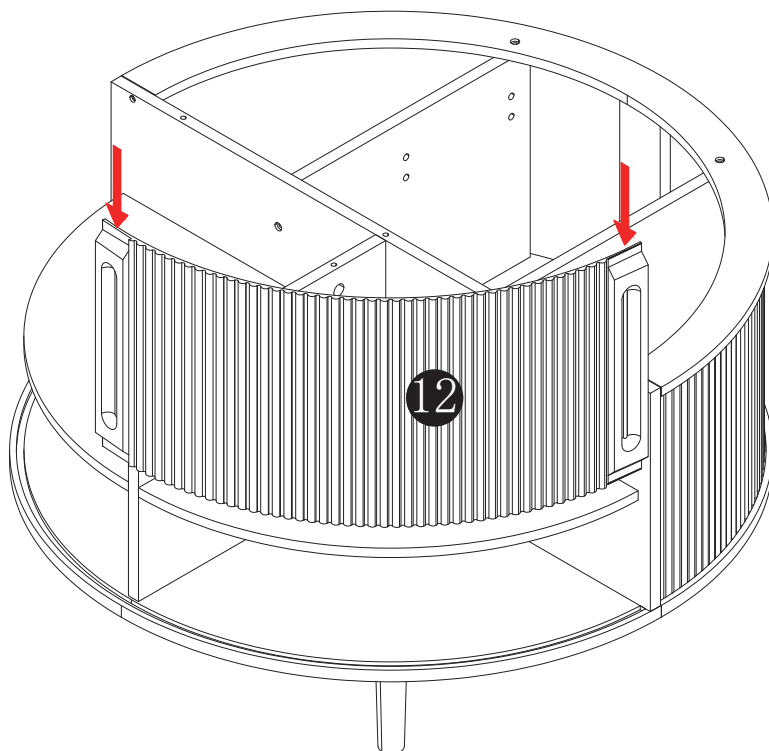
Step:15



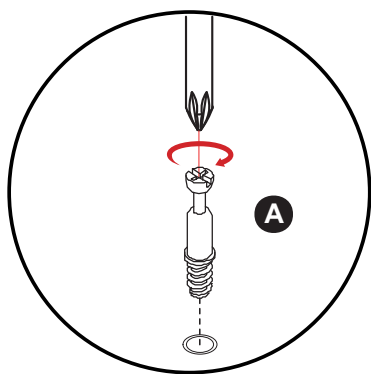
Step:16



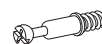
Step:17



Step:18

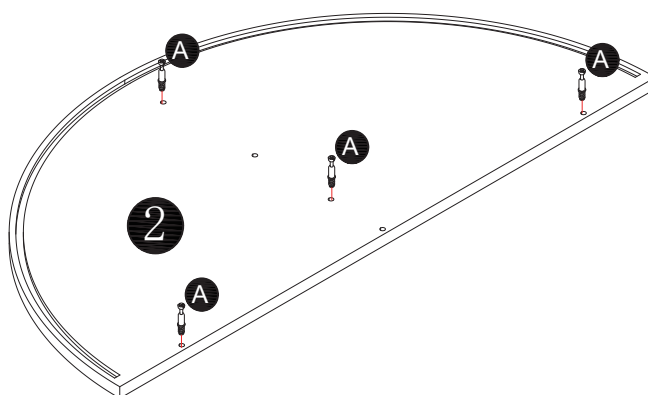


A

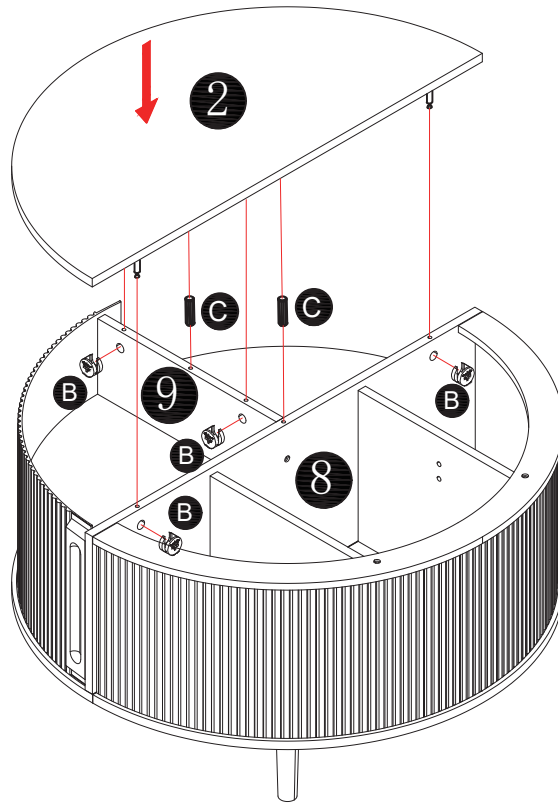
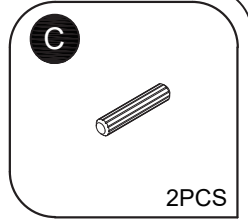
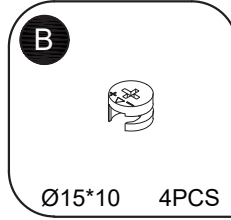
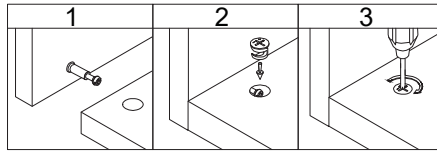


6*35

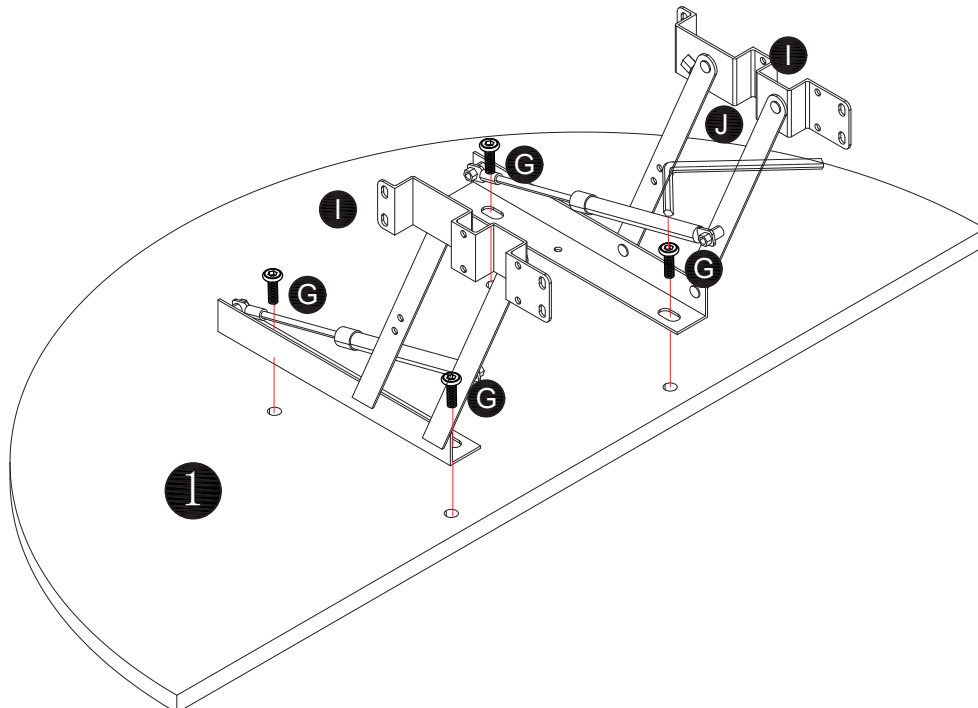
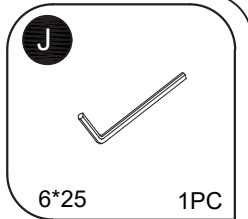
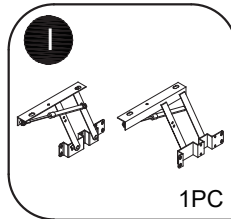
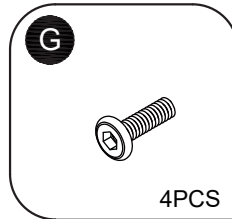
4PCS



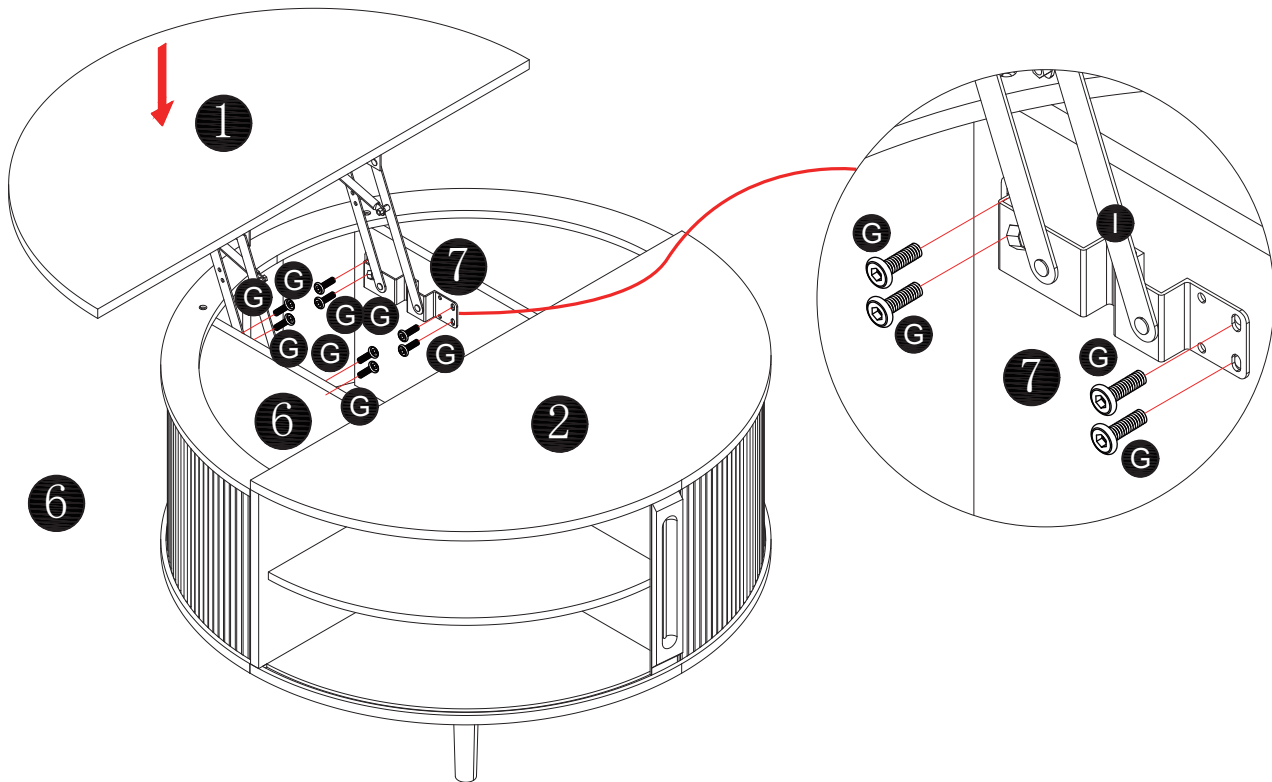
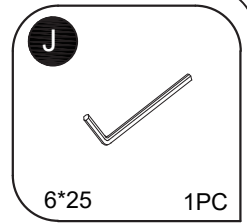
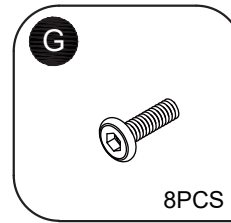
Step:19



Step:20



Step:21



Step:22

