



MASSAGE CHAIR

USER MANUAL



RealRelax Inc.

WWW.REALRELAXMASSAGE.COM

USA: (800) 513-5727

FAVOR -03 Plus

PLEASE READ AND SAVE THESE INSTRUCTIONS





TABLE OF CONTENTS

- Thank for your purchase of this product. Before using, please read this USER MANUAL carefully, and pay special attention to the safety precaution to ensure proper operation and use.
- Please keep this USER MANUAL properly for further reference.

| | |
|--|---------|
| SAFETY PRECAUTIONS | |
| MEDICAL WARNINGS ----- | 01 - 02 |
| WARNING ----- | 03 |
| FORBIDDEN----- | 03 - 04 |
| REMOVE PLUG ----- | 04 |
| NAME AND FUNCTION OF EACH COMPONENT | |
| EXTERNAL STRUCTURE ----- | 05 |
| INTERNAL STRUCTURE ----- | 06 |
| CONTROLLER ----- | 07 |
| REMOTE CONTROLLER INSTRUCTION ----- | 08 |
| AUTO MESSAGE MODE ----- | 09 |
| CUSTOM MESSAGE MODE ----- | 10 |
| MUSIC SYSTEM ----- | 11 |
| PREPARATION BEFORE USING | |
| INSTALLATION METHOD ----- | 13-17 |
| TURN ON POWER SUPPLY ----- | 18 |
| MOVE METHOD ----- | 18 |
| PRODUCE STORAGE AND MAINTENANCE | |
| INSTALLATION POSITION ----- | 19 |
| GROUNDING INSTRUCTIONS ----- | 20 |
| AFTER USING THE CHAIR ----- | 20 |
| METHODS OF STORAGE ----- | 20 |
| MAINTENANCE ----- | 20 |
| TROUBLESHOOTING GUIDE | |
| KIND REMINDING ----- | 21 |
| TROUBLESHOOTING GUIDE ----- | 21 |
| TECHNICAL SPECIFICATIONS ----- | 22 |



SAFETY PRECAUTIONS

- Before using, please read this "SAFETY PRECAUTIONS" carefully to ensure proper operation.
- The following "SAFETY PRECAUTIONS" is of great help to your correctly use of this massage chair.
- To clearly indicate the degrees of danger and damage, the classes of accidents caused by incorrect use are classified into "WARNING" and "FORBIDDEN". Instructions marked as followings should be strictly followed.

⚠ MEDICAL WARNINGS

NOT RECOMMENDED FOR THE FOLLOWING PEOPLE.

- Patients with serious hyperostosis
- Swollen lump and patient thrombosis

- Patients with serious heart conditions
- Pregnant Women
- People that consume large amounts of alcohol
- People with diabetes
- People suffering from high fever
- Patients with malignant tumors or malignant abscesses
- People with distorted joints
- People with serious skin conditions
- People with spinal injuries
- All people should consult a physician and exercise care when operating this system
- Minors under 16 years or people unable to control his/her behavior, i.e. mental patients, people with paralysis, etc.
- Should not be allowed to operate the massage chair.

WARNINGS

- Use this appliance only for its intended use as described in this manual.
Do not use attachments not recommended by the manufacturer.
- Never operate this appliance if it has a damaged cord or plug.
- Keep the cord away from heated surfaces.
- Please empty pockets and remove all your arm Jewellery and watch before using this chair
- Do not operate where aerosol (spray) products are being used.
- To disconnect, turn all controls to the off position, then remove plug from outlet.
- Connect this appliance to a properly grounded outlet only. See Grounding Instructions.
- Do not remove the back cushion and do not play with roller mechanism.
- Do not remove the bottom seat and do not play with actuators.
- Keep the cord out of heavy traffic area.
- Always unplug the power cord from the electrical outlet immediately after use.
- Only people less than 120kgs are acceptable.
- Do not operate any equipment with damaged parts.
- Any other use not recommended by the manufacturer may cause electrical shock or injury.
- Do not touch or re-wire the wires connected to the master-box.
- Do not attempt to repair or adjust any electrical or mechanical functions on this unit.
Doing so will void the warranty.
- Do not put your hands or head under the chair
- When using the massage chair, ascertain that the footrest is in the lowest position.

FORBIDDEN

- Do not allow children to play near the chair especially during operation
- Do not leave mobility impaired or speech impaired people alone in chair
- Do not place or stock this machine near damp places such as swimming pools or bathrooms
- Do not press by force on the massage rollers
- Do not stand on the chair or store heavy items on the chair
- Do not use in the environment which is dusty, greasy or lacking oxygen

- Do not place near steam oven, open fire, or heat
- Wear suitable clothing, do not massage with bare skin
- Do not place directly in the sun
- Do not use electric blanket while using the massage chair
- Do not use outdoors
- Do not use while smoking
- Do not use immediately after meals
- Do not sit on the back cushions, armrest, or legs
- Don't use the massage chair when your body is wet or moist as it can result in electrical shock
- Do not operate with more than one person
- Don't use when using head ornamentation as it can result in injury
- Do not stumble over electrical wires or connections

REMOVE PLUG

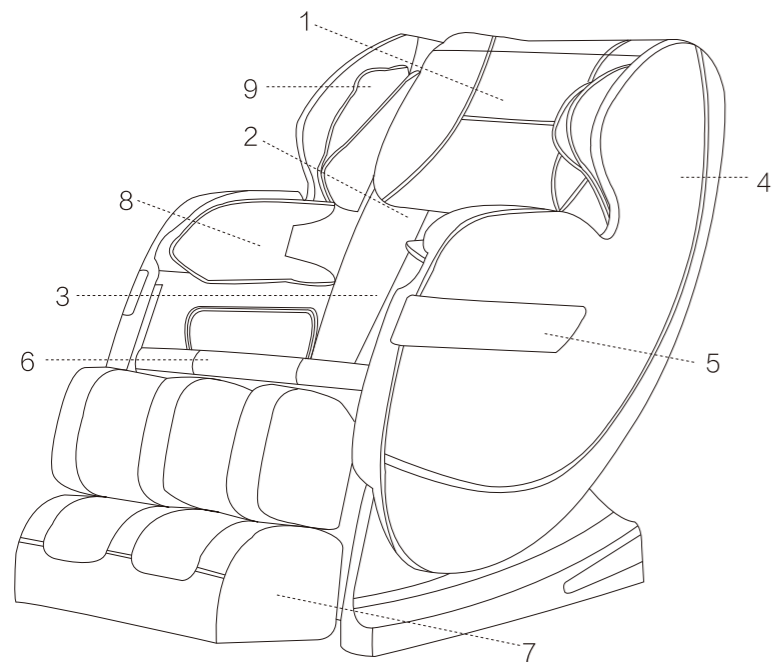
- Before maintenance, please pull out power plug. In addition, please do not insert or unplug the power plug with damp hands, to avoid electric shock.
- When the massage chair is not in use, please switch off power and remove the plug from socket. When power is off, please cut off power supply immediately and pull out the power plug from socket.

BE CAREFUL

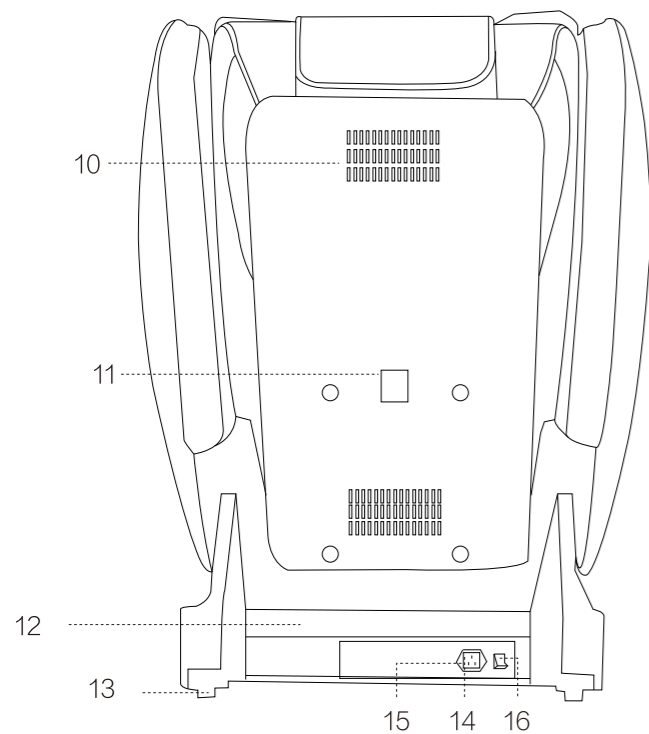
- Please avoid using a massager after drinking or when you are not feeling well.
- Do not massage the head, elbow joints, knees, chest, abdomen, etc. directly on the massage ball.
- Do not damage the power cord or operate the massager while the power cord is damaged. This may result in electric shock or mechanical failure. Please contact the service center for a detailed inspection.

NAME AND FUNCTION OF EACH COMPONENT

EXTERNAL STRUCTURE



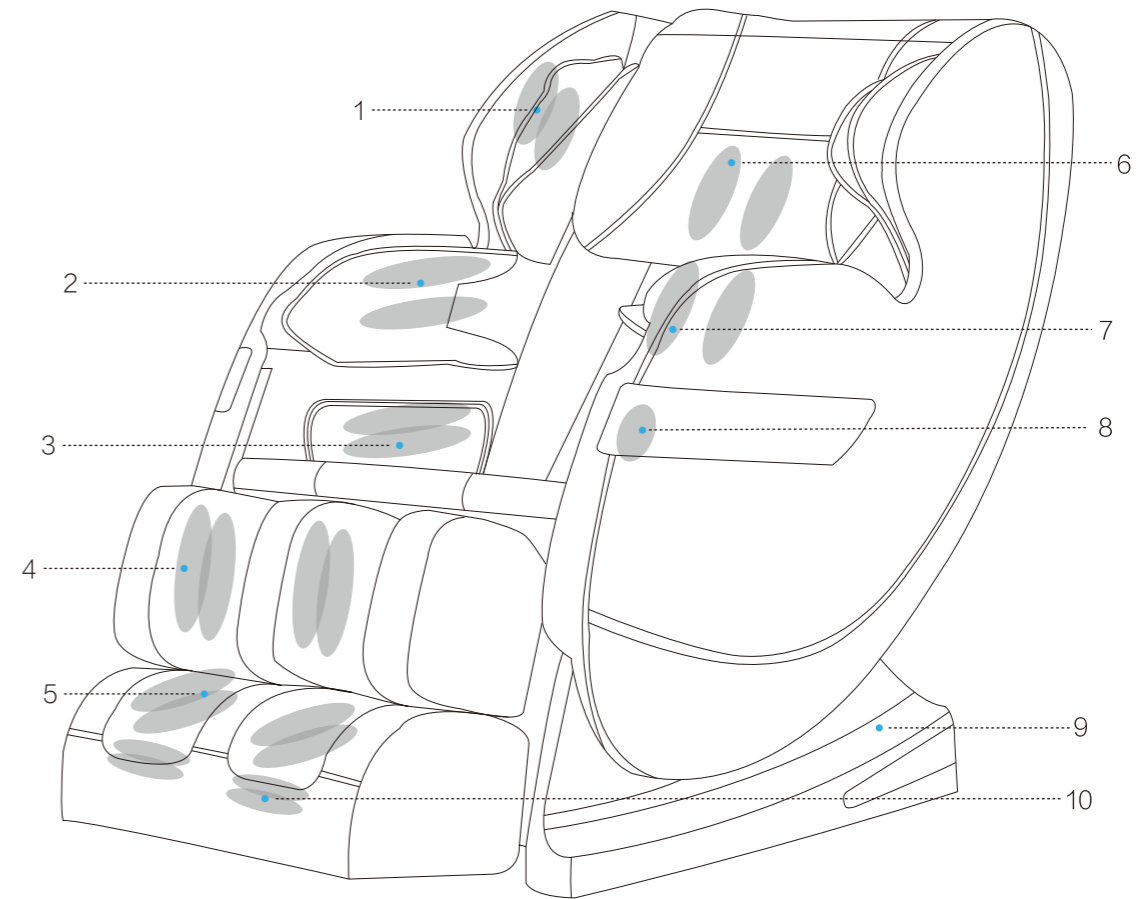
- 1.Pillow
- 2.Backpad
- 3.Waist Heater
- 4.Armrest
- 5.Led breathing light
- 6.Seat
- 7.Footrest
- 8.Armrest Air Massage Unit
- 9.Shoulder Units



- 10.Air Vent
- 11.Specification Label
- 12.Power Supply
- 13.Wheels
- 14.Power Supply Socket
- 15.Electrical Fuse
- 16.Power Switch

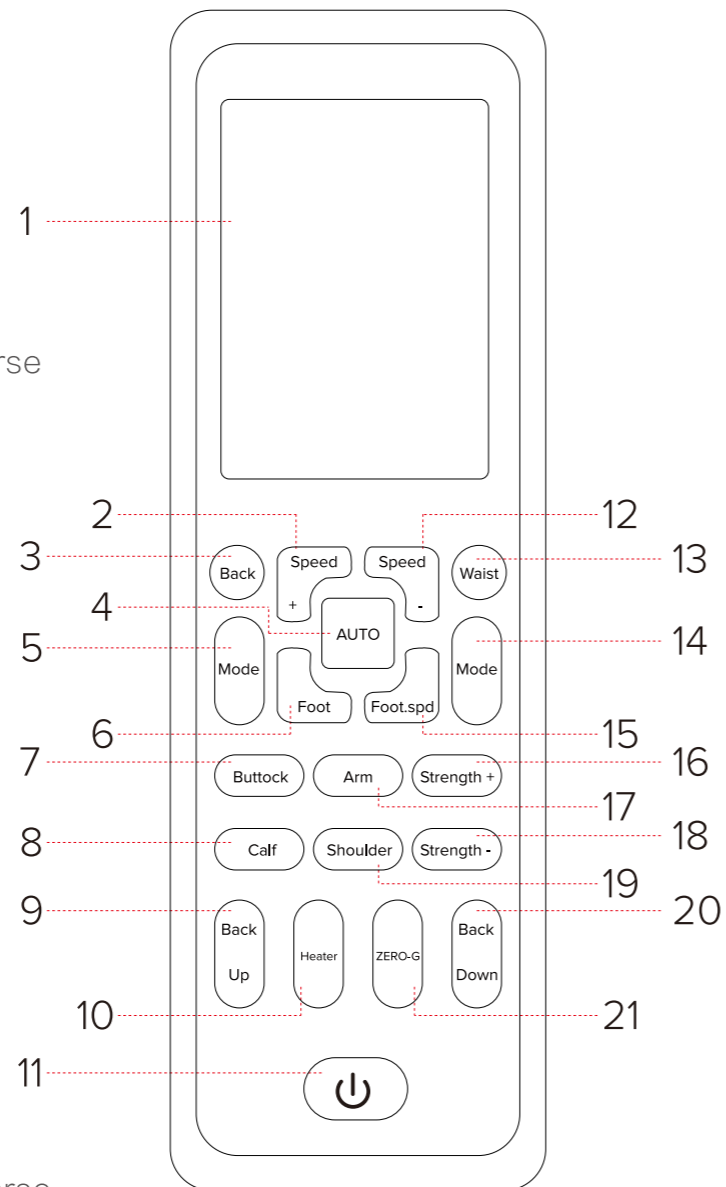
INTERNAL STRUCTURE

- | | | | |
|---|---------------------------|----|--------------------------|
| 1 | Shoulder Air Massage Unit | 6 | Back Massage Points |
| 2 | Armrest Air Massage Unit | 7 | Waist Massage Points |
| 3 | Seat Air Massage Unit | 8 | Waist Heater |
| 4 | Calf Air Massage Unit | 9 | Slide Rail |
| 5 | Foot Air Massage Unit | 10 | Foot Roller Massage Unit |





REMOTE CONTROL


- 1 TFT Display
- 2 Massage Rollers speed+
- 3 Back Massage ON/OFF
- 4 AUTO Programs Switch
- 5 Back Massage Forward and Reverse
- 6 Foot Massage ON/OFF
- 7 Buttock Airbags ON/OFF
- 8 Calf Airbags ON/OFF
- 9 Backrest UP
- 10 Heater ON/OFF
- 11 Power Button
- 12 Massage Rollers speed-
- 13 Waist Massage ON/OFF
- 14 Waist Massage Forward and Reverse
- 15 Foot Roller Speed
- 16 Airbags Strength+
- 17 Arm Airbags ON/OFF
- 18 Airbags Strength-
- 19 Shoulder Airbags ON/OFF
- 20 Backrest Down
- 21 One-button Zero-Gravity

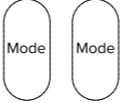



REMOTE CONTROL FUNCTION INTRODUCTION


-  On/Off: Press power button to turn on the chair or adjust time frame, press for more than 2 second to turn off.

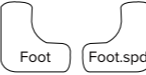
-  Back: Manual mode up back massage


-  Waist: Manual mode waist massage


-  Mode: Up back , waist forward and reversal

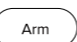
-  Speed + and Speed -: Back roller speed adjustment

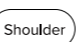
-  AUTO: Auto mode switch

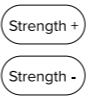
-  Foot and Foot.spd: Foot roller and speed adjustment


-  Buttock: Hips air bag switch


-  Calf: Calf air bag switch

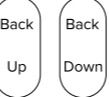
-  Arm: Arm air bag switch

-  Shoulder: Shoulder air bag switch

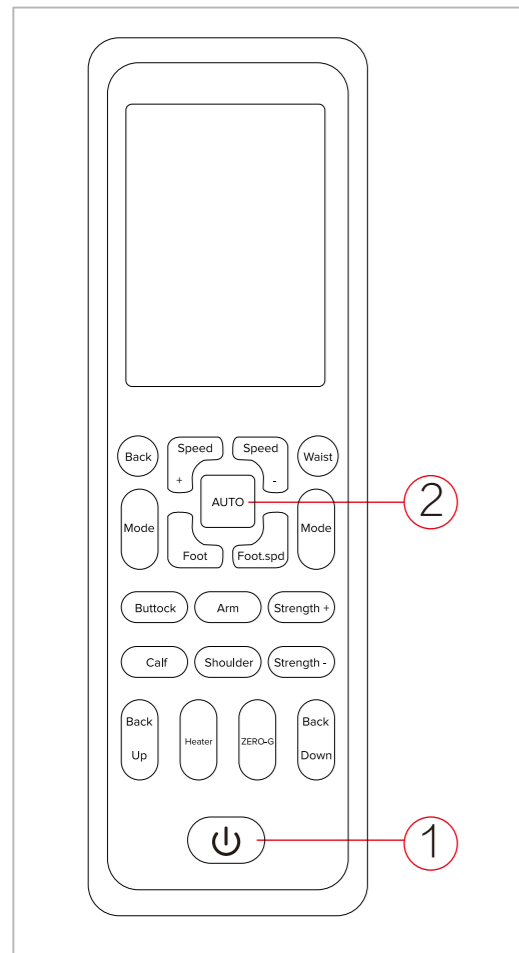
-  Strength + and Strength -: Air bag strength adjustment

-  Heater: Turn on heat function

-  ZERO-G: Recline till zero gravity

-  Back Up and Back Down: Backrest recline and forward adjustment when chair is working(can be adjusted to find the best position for rest when hand controller is off.)

AUTO MODE



Select Auto massage mode

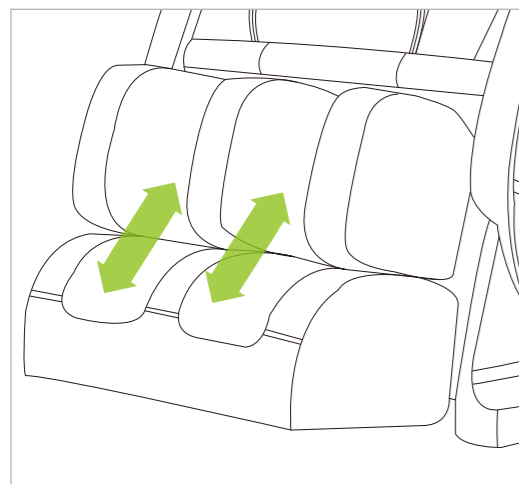
- 1.Power:when the unit is turned on it will automatically start to massage.In automatic massage modes intensity and strength cannot be adjusted. If you would like to adjust intensity and strength please select a specific area. such as: arm , foot, or shoulders.
Press "Power" to switch time from 15/20/25/30
Press Power button for 3 seconds to turn off massage chair
- 2.Press "AUTO" to switch six modes:
We have six Automatic modes,press "AUTO" to switch six modes.
- 3.Auto massge mode will stop automati-cally after 15/20/25/30 minutes.

Adjusting the reclining angle

- Adjust the angle between backrest and footrest.

Leg extension settings

- Footrest unit will automatically extend to suit taller individuals.



CUSTOM MESSAGE MODE

- By selecting a single massage area, auto massage will stop
You can turn on a single massage area, or multiple areas.
- This allows you to give yourself a complete customizable massage.
- You can also adjust the strength of the air bags and intensity of the rollers.



When the massage time is finished the unit will return to upright position and shut down automatically.

MUSIC SYSTEM

Our product is designed with Bluetooth audio connection function. It can play music through connect with smart phone, tablet computer or other audio devices.

How to use:

1. Open mobile-phone/ipad/computer BLUETOOTH capabilities, and access to the search state, your device will automatically search neighboring BLUETOOTH devices.
2. In a few seconds, our massage chair name will show up under the device list, select massage chair name, and the connection complete.

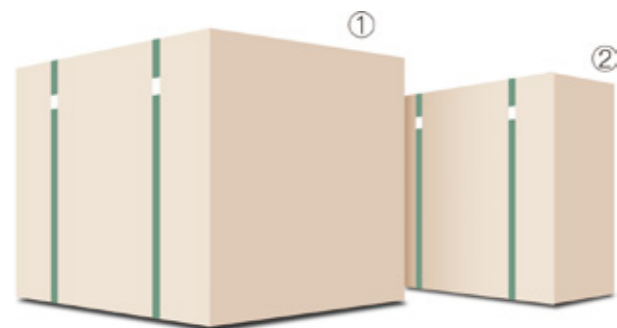


PREPARATION BEFORE USING



1 INSTALLATION METHOD

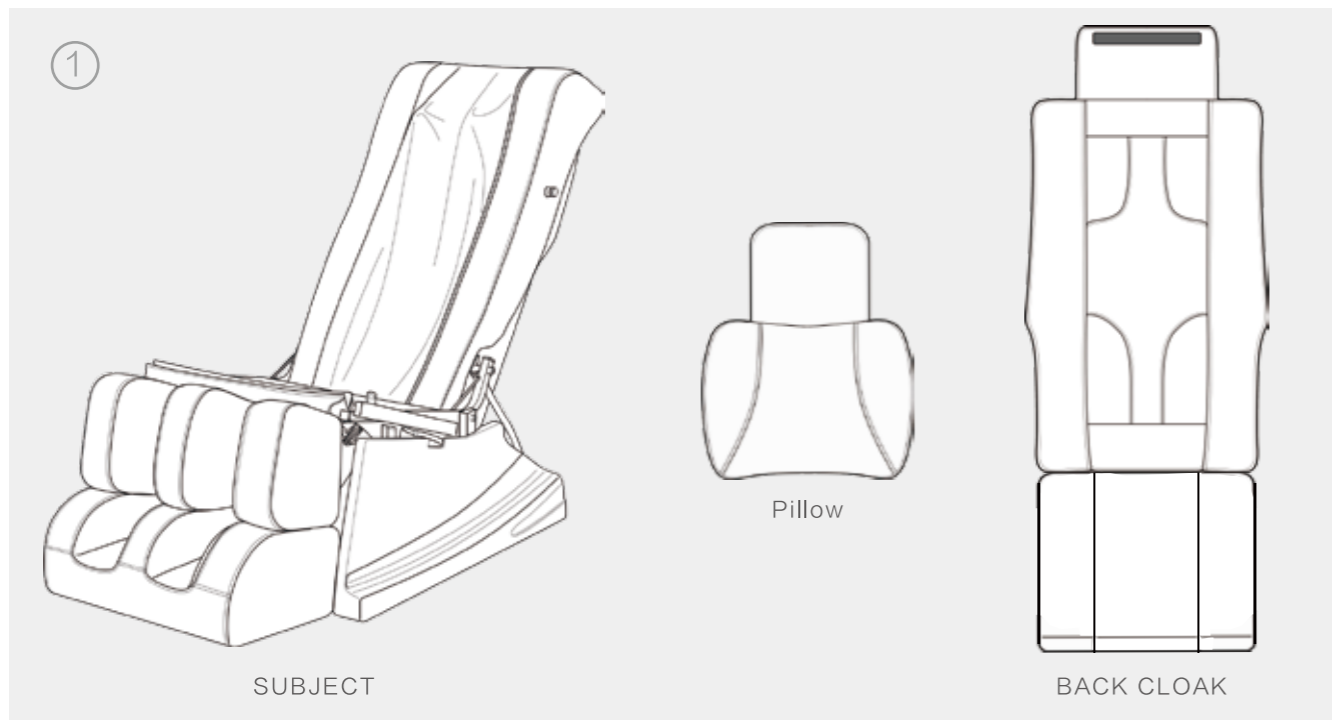
ACCESSORIES FROM BOX



Step 1: Unpack the two packages
Take out the main body, armrest, footrest from the carton carefully.



HANDRAIL



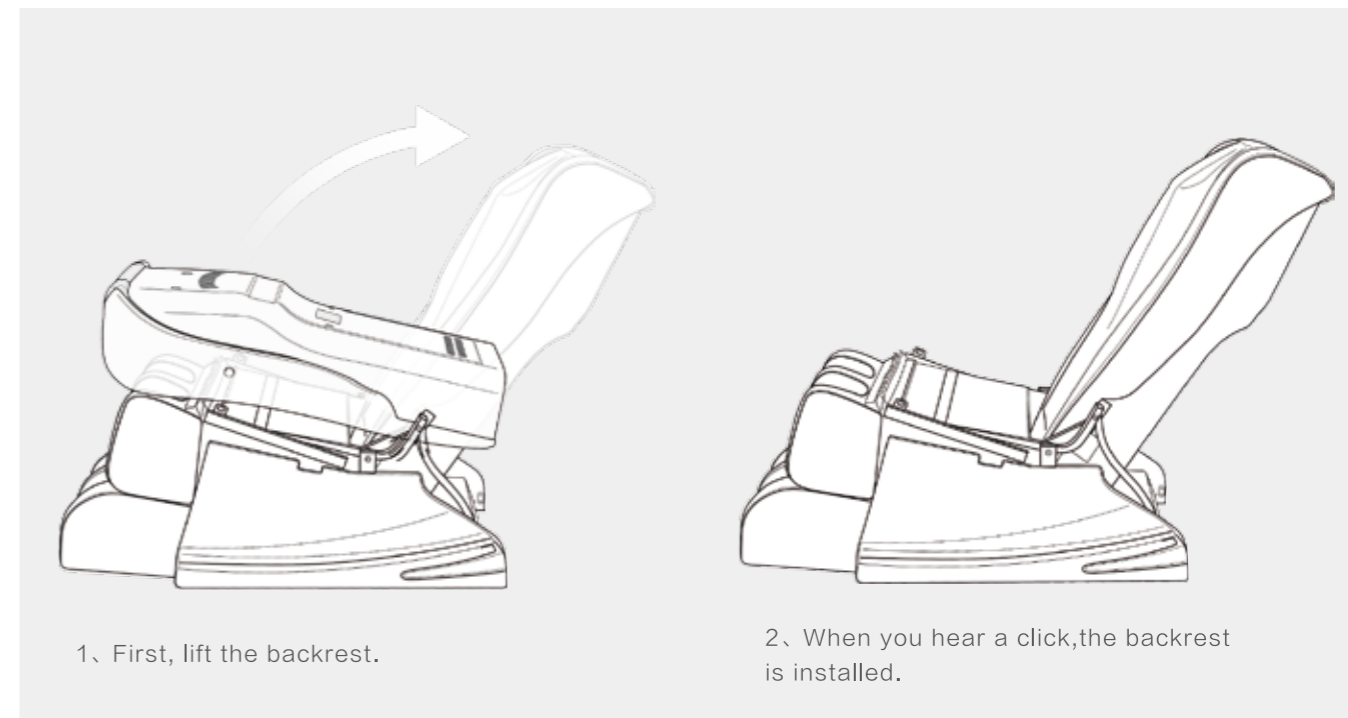
SUBJECT

Pillow

BACK CLOAK

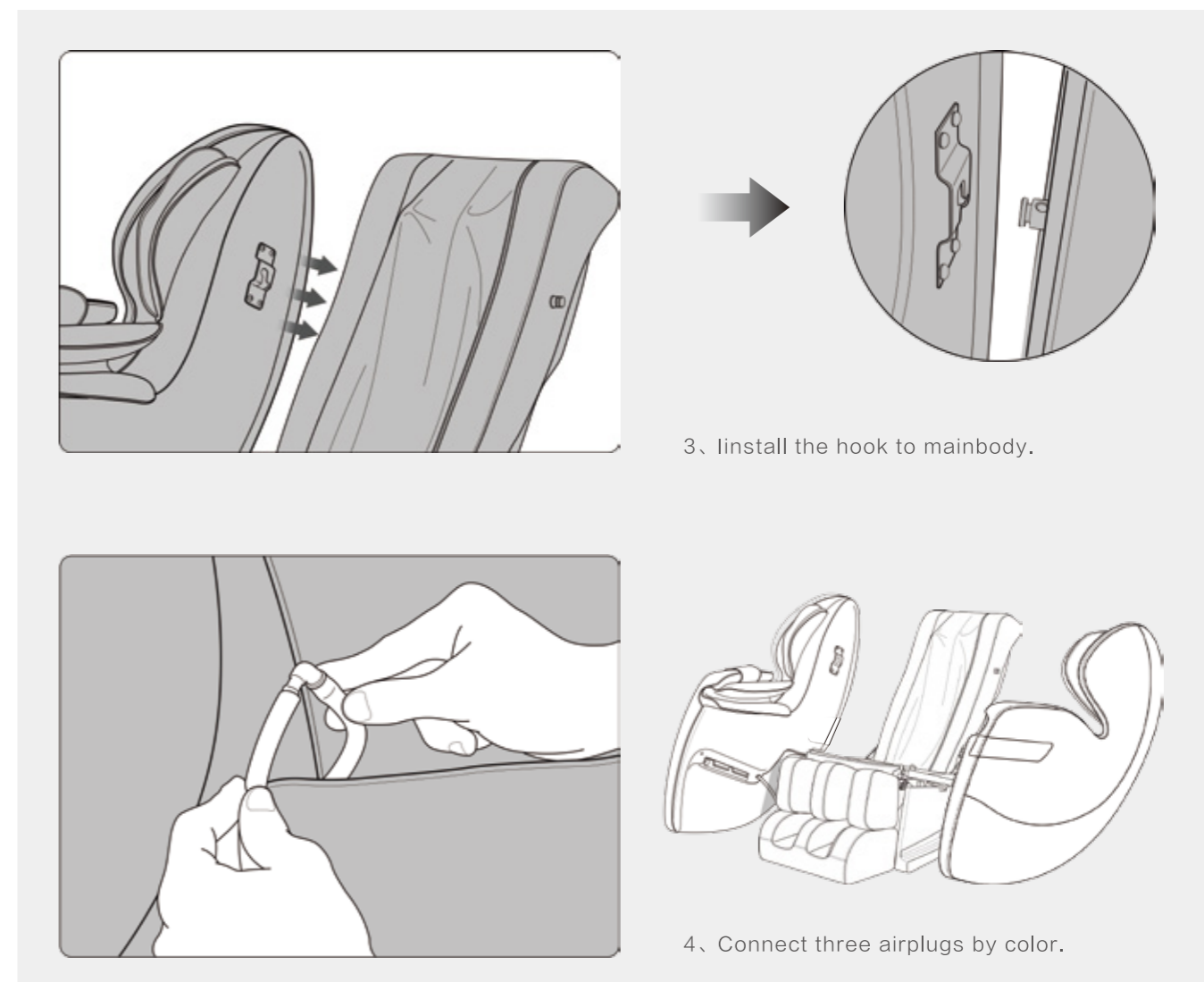
This model is divided into packaging.
After dismantling the package, carefully remove the
Massage chair and install it according to the instructions.
(just plug in the power cord to use).

INSTALLATION STEPS



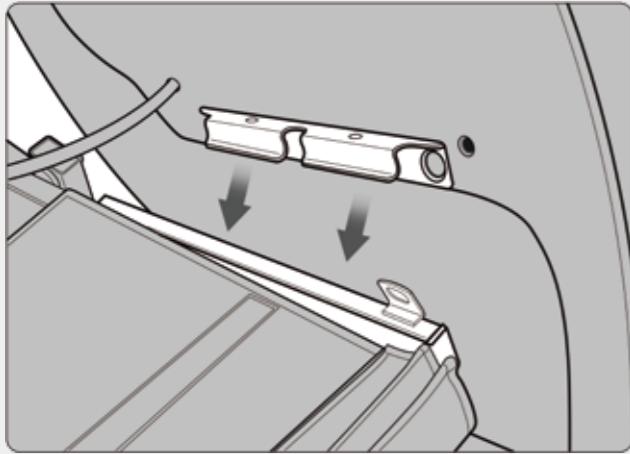
1、 First, lift the backrest.

2、 When you hear a click,the backrest is installed.

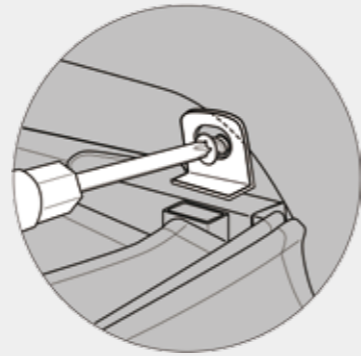
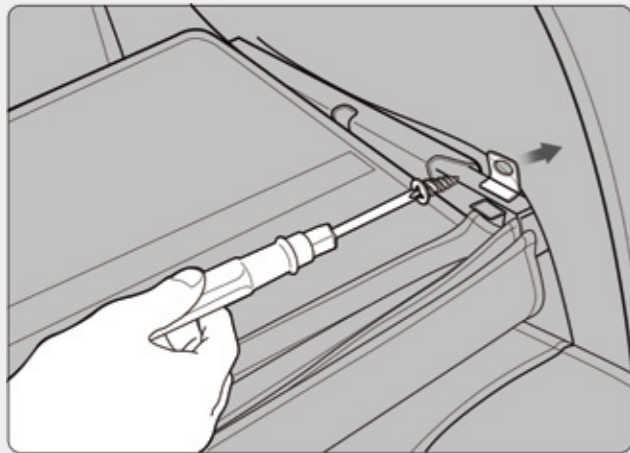


3、 Install the hook to mainbody.

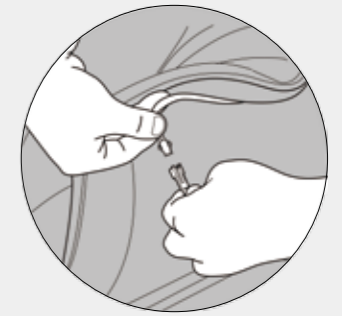
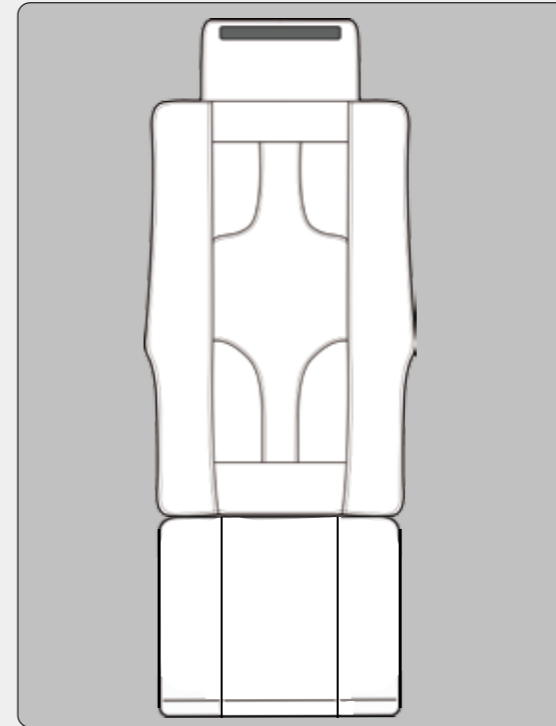
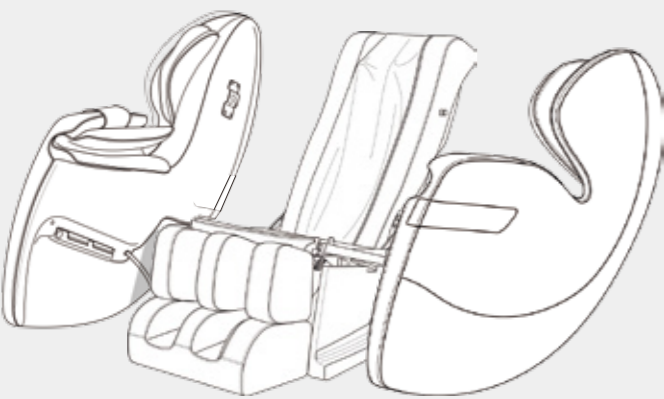
4、 Connect three airplugs by color.



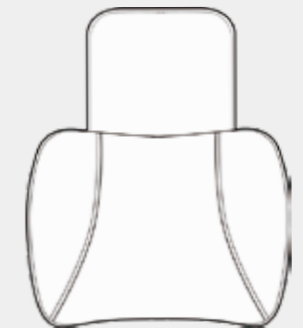
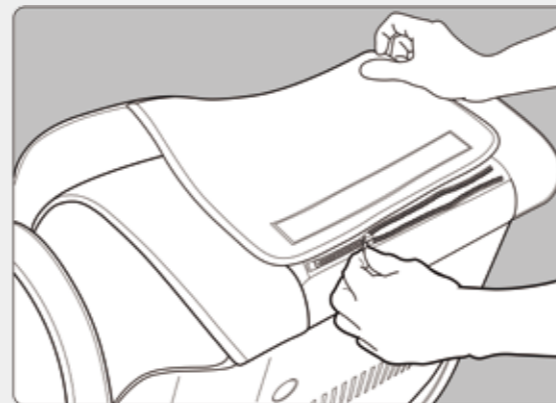
5. Install the bottom hook to the seat.



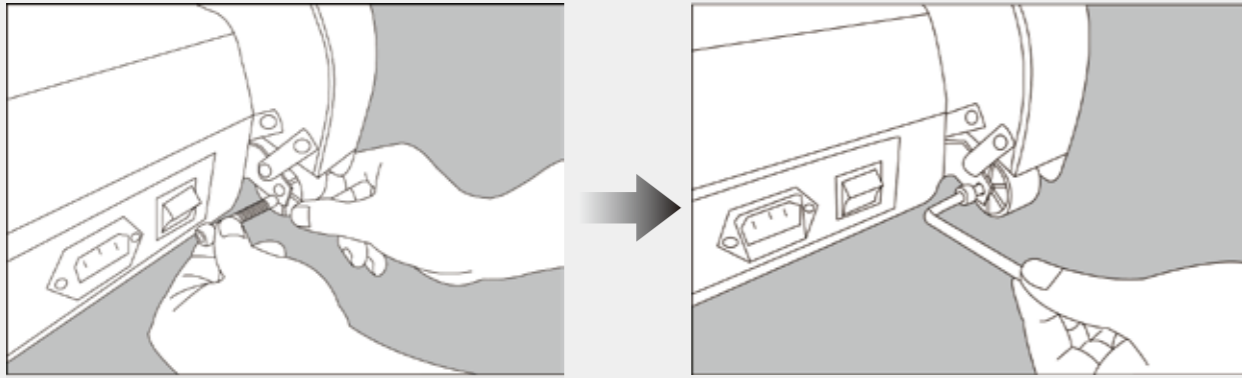
6. Fasten the armrest with screw.



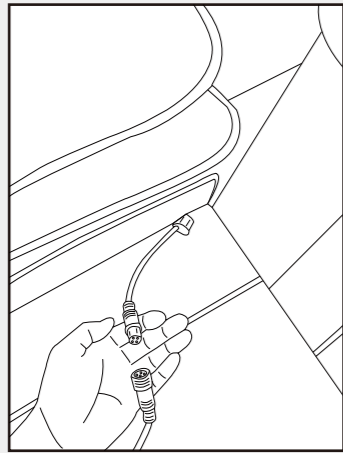
7. Connect the pad wire to the main unit.



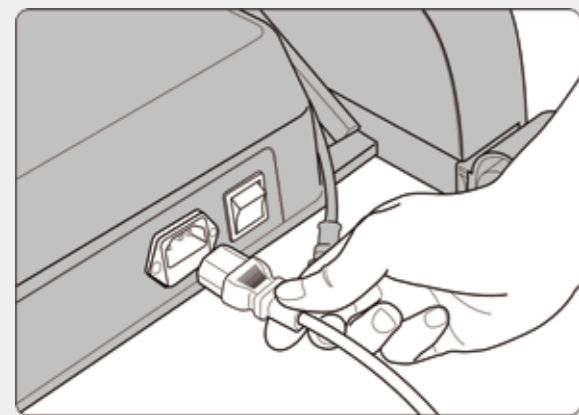
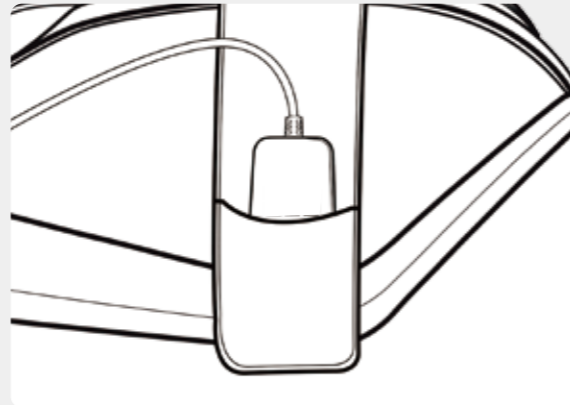
8. The chair pad is attached at the top with a zipper.



9. Fix the wheel with a screw.



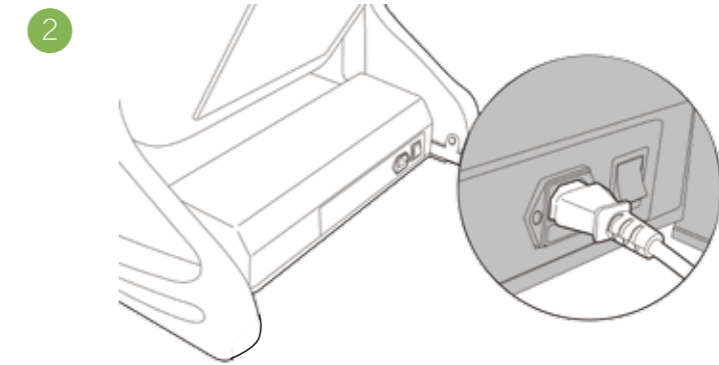
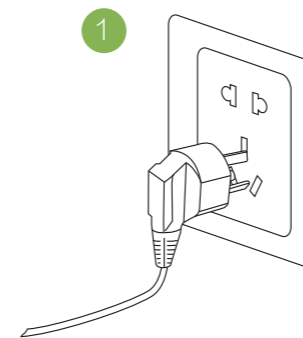
10. Connect the remote to the plug beside the seat.



11. Connect the remote to mainbody, install the remote bag to right armrest. Put the remote control into the bag, plug in the main power.

2 TURN ON POWER SUPPLY

1. Plug the power cord into three core socket with well grounding.
2. Turn on the power switch on the bottom of massage chair.

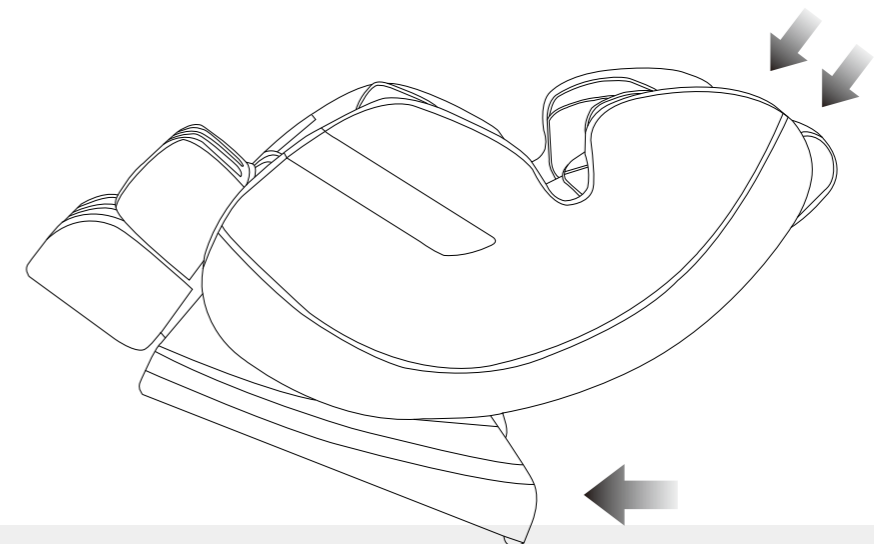


CAUTION

- Before switching on the chair, please make sure there is no damage on the power wire and other exposed wires.
- Make sure the power switch is off before the chair is connected to electricity.

3 MOVE METHOD

- There are moving rollers at the bottom of the chair.
- Raise the back to the highest point.
- Switch off and plug out the chair.
- Lift the front part of the chair as showed in the figure (one person raise the front part via holding moving holder, another person push the chair when holding the top of the chair), move the chair by the rollers.



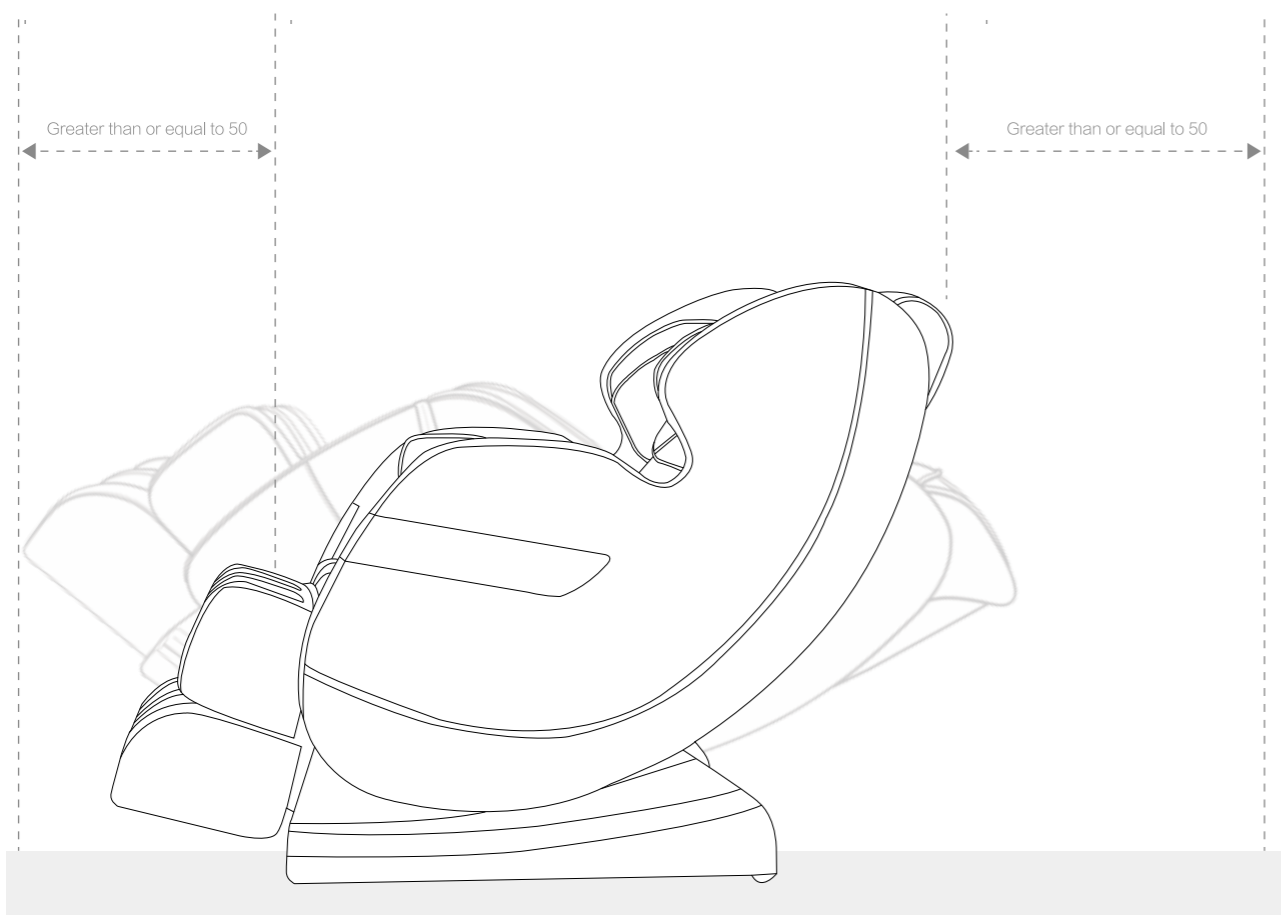
CAUTION

- Don't move it when there is people in it.
- Don't use the armrest while moving the chair, only hold the moving holder in the back and front.

INSTALLATION POSITION

PLEASE LEAVE THE SPACE AROUND THE MASSAGE CHAIR WHEN PREPARING THE MASSAGE.

- (1) Place a massage chair in a place where there is enough space for the back of the chair to recline and the stand to rise.
- (2) Make sure that there is at least 50 cm in the back of the massage chair and at least 50 cm in front of the massage chair. In order to prevent from signal interference, please keep at least 1m away from the TV, radio and other video and audio devices.



Before using, please tidy up well the cables to avoid twining or damage. When the whole chair makes slide movement forward or backward to original position, please check first whether there are kids, pets or any other objects to avoid accidents. Please put carpet or other pad under the massage chair, in order to avoid any unpredictable impression on the floor.

SURROUNDING ENVIRONMENT



Keep the massage chair away from damp places (for example: bathroom) to avoid electric leakage



Keep the massage chair away from high temperatures sources (for example: stove) to avoid fire or damage to leather material



GROUNDING INSTRUCTIONS

This product must be grounded. If it should malfunction or breakdown, grounding provides a path of least resistance for electric current to reduce the risk of electric shock. This product is equipped with a cord having an equipment-grounding conductor and a grounding plug. The plug must be plugged into an appropriate outlet that is properly installed and grounded in accordance with all local codes and ordinances.

DANGER – Improper connection of the equipment-grounding conductor can result in a risk of electric shock. Check with a qualified electrician or serviceman if you are in doubt as to whether the product is properly grounded. Do not modify the plug provided with the product – if it will not fit the outlet; have a proper outlet installed by a qualified electrician.



AFTER USING THE CHAIR

- Please power off the chair and unplug power cable from power the supply socket after using disconnect the controller and store carefully
- Please power off the chair and unplug the chair from the power supply socket when the chair is not in use, to avoid children to start the chair accidentally
- Please store well the chair if it is not in use for a long time.



METHODS OF STORAGE

- Do not dismount the back of the chair
- Keep the massage chair free of dust
- Cover the chair with dust-free cloth to prevent dust from collecting
- Do not store in a hot, humid, damp place or in direct sunlight or heat
- Do not store in an overly cold place




MAINTENANCE

- Before cleaning unplug from electrical source to avoid shock
- Clean the cloth surface with neutral detergent or special mild detergent for cloth
- Dust can be cleaned off with a damp cloth of mild detergent and air dry
- Do not spray pesticide on device
- Specified cleaner can be used on the leather, plastic, and dried with a cloth
- Do not use a damp cloth on the electronic components which can cause shock and damage
- The leather covers (headrest, seat cushion, foot cushion) can be removed for cleaning

KIND REMINDING

During daily use, please check whether the following phenomenon exist: Scorched smell
 When touch the wire, the power is on, but sometimes off
 The power supply cord is hot
 Other abnormal phenomenon

 If problems happen above, please turn off power supply and contact the distributor or manufacturer
CAUTION for assistance.

TROUBLESHOOTING GUIDE

| Problems/Issues | Possible Cause | Trouble Shooting Method |
|---|--|---|
| Sounds like tapping or hum sounds | Sounds from air pump, motor or other mechanical parts | Normal phenomenon |
| Suddenly stops working | 1. Bad power connection 2. Auto program timers is up | 1. Unplug and reinsert power cord to he chair 2. Normal |
| Does not work after power up | 1. Power switch is not turned on 2. Bad connection between plug and socket 3. Massage remote is not turned on 4. Have broken power wire plug 5. Bad fuse 6. Control unit for functioning properly | 1. Turn power switch on 2. Connection power cord again 3. Press power button on remote 4. Contact professional technician 5. Replace fuse 6. Contact professional technician |
| Roller height changes | Rollers work alternately | Normal phenomenon |
| Abnormal sounds suddenly while working | Maybe from over working the massage chair | 1.Cut down usage 2. Contact professional technician |
| Can not recline the chair | Obstruction—be sure that the chair is allowed enough room to fully recline | Stop chair opearion, and move obstruction |
| can not restore position after reclined | Problem on electric motion pole or plug under bad connection | Contact professional technician |

ATTENTION

If problems are not from above reasons, please turn off power supply and contact the distributor or manufacturer for assistance.

Note : Do not dismantle the produce by yourself, and our company shall shoulder no responsibility to the damage of the product or the inquiry of people caused by improper use. Thanks for your cooperation !

TECHNICAL SPECIFICATIONS

Name : RealRelax Favor-03 Plus Massage Chair

Rated Voltage : 110 V

Rated Frequency : 60 Hz

Rated Power : 100 W

Safety Design : Class I

N.W : 105.7 LB 31.9 LB

G.W : 131.1 LB 40.7 LB

MEAS : 43.5" * 25.6" * 27.2" 46.9"* 28.9" * 10.6"

Manufacturer Reserves The Right To Make Changes To Informations Published In This Document, Including Without Limitation Specifications And Product Descriptions, At Any Time And Without Notice.