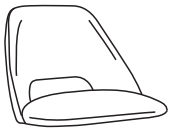
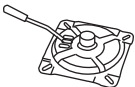

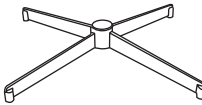

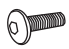



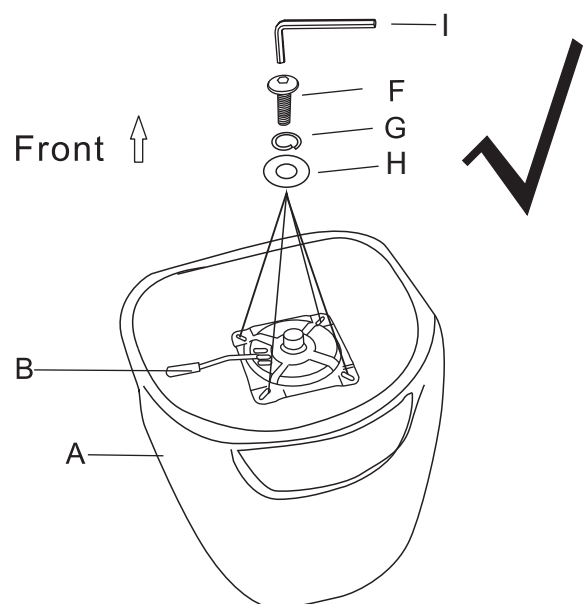


# ASSEMBLY INSTRUCTION

Ax1	
Bx1	
Cx1	
Dx1	
Ex4	
Fx4	
Gx4	
Hx4	
I x1	

**Step 1** Please pay attention to the installation direction



Front ↑

A

B

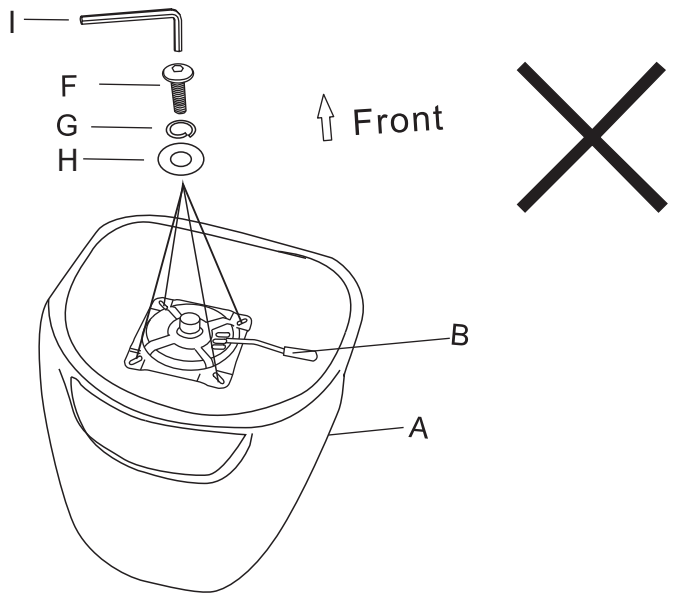
I

F

G

H

✓



Front ↑

A

B

I

F

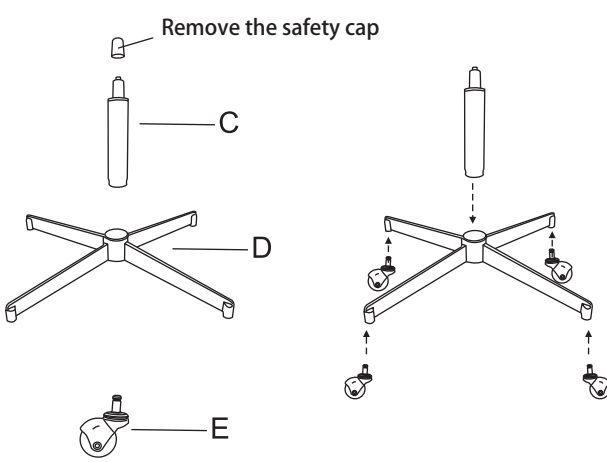
G

H

✗

**Step 2**

Remove the safety cap

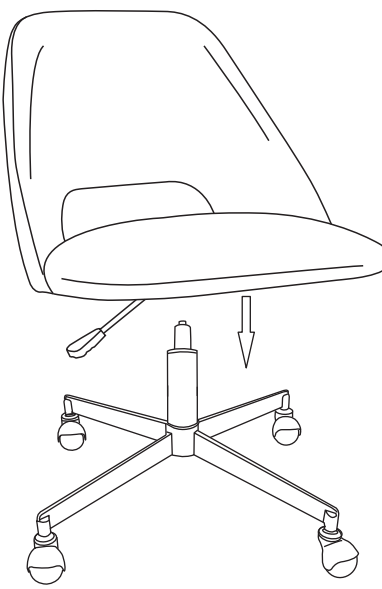


C


D

E

**Step 3**



**Step 4**



Functions: Up/Down  
 Pull the handle up without sitting on the seat to make it up.  
 Pull the handle up with sitting on the seat to make it down.