












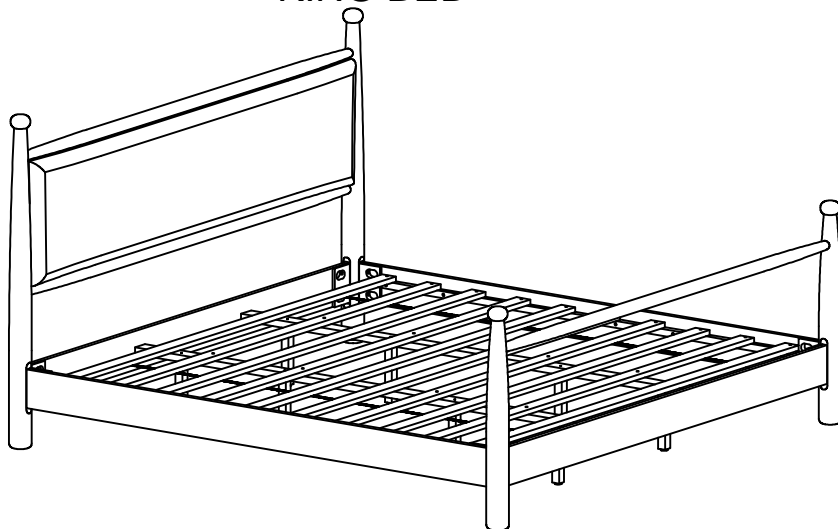
# ASSEMBLY INSTRUCTIONS

SKU CODE : N769P410616

## Care & Maintenance

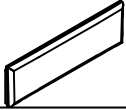



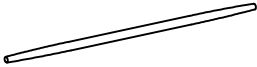

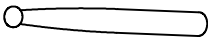
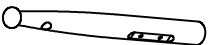


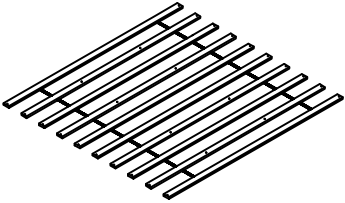


- ✓  Furniture may scratch floors. We recommend using furniture pads to protect your floors.
  - ⊘  Do not put hot items directly on furniture surface.
  - ⊘  Do not clean furniture with harsh cleansers or polish.
  - ⊘  Do not place furniture under direct sunlight.
  - ⊘  Do not place furniture near heating or cooling vents.
  - ⊘  Do not write on furniture without a padded barrier to protect the surface.
  - ⊘  Do not place furniture outside. For indoor use only.
  - ⊘  Not for commercial use. For residential use only.
  - ⊘  Stains may be removed with mild soap solution and damp cloth.
  - ⊘  Children should not climb or jump on the furniture.
- ✓  Dust and pick-up spills using a clean, non-colored lint-free cloth.

### KING BED



This set included 1 boxes if don't receive full 1 boxes please contact our customer service team

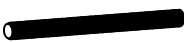






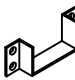

PART LIST FOR 1 BED - N769P410616

Label	Picture	Description	Q.ty
A		Headboard	1
B		Headboard Left Leg	1
C		Headboard Right Leg	1
D		Headboard & Footboard bar	2
E		Headboard top rail	1
F		Headboard bottom rail	1
G		Footboard Left Leg	1
H		Footboard Right Leg	1
I		Footboard bar	1
J		Side Rails	2
KL		Slats	1
M		Center Legs	8
N		Center bar	2

Assembly Tools Required ( Not Included )



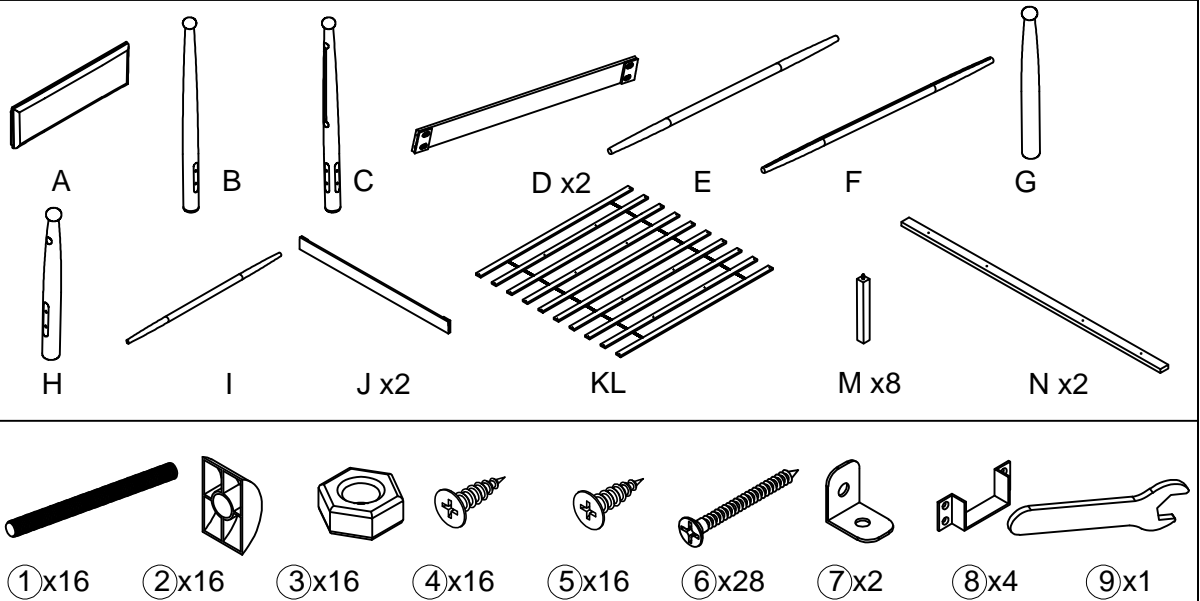
## HARDWARE LIST FOR 1 BED - N769P410616

Label	Picture	Description	Q.ty
1		Hang Bolt M8 x 70mm	16
2		Crescent Spacer - 16pcs	16
3		Nut M8 - 16pcs	16
4		Wood Screws M4 x 15mm	16
5		Wood Screws M4 x 20mm	16
6		Wood Screws M4 x 30mm	28
7		Bracket	2
8		Bracket	4
9		Wrench	1

PLEASE BE CAREFUL DO NOT DAMAGE THE HOLE POSITION WHEN YOU USE POWER TOOLS !

# Assembly Preparation

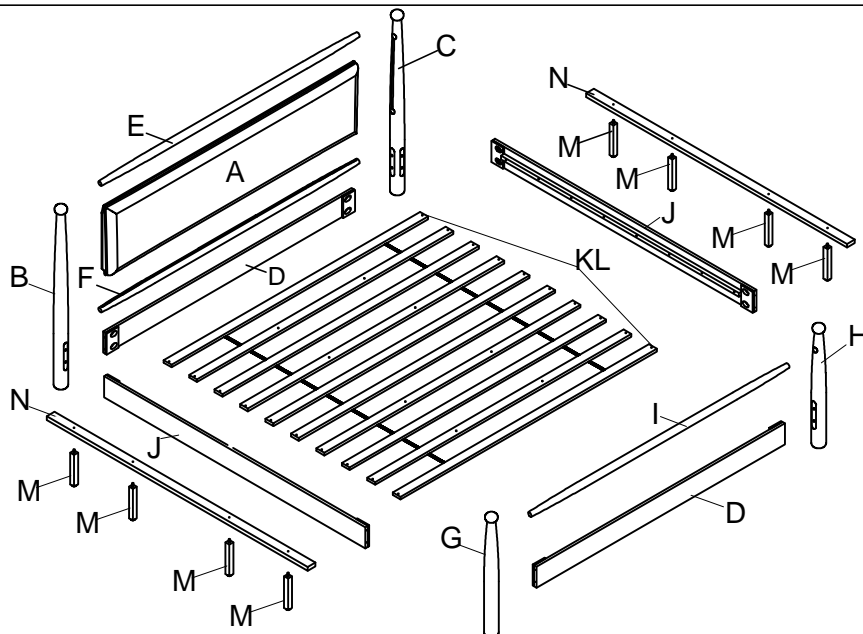
Before Beginning Assembly



- Read instructions, cover to cover.
- Have 2 adults on hand for assembly.
- Do not assemble on flooring or carpet.
- Assemble on a clean non-marring surface (packing foam).
- Save all packaging until finished.

# Assembly Steps


Over view

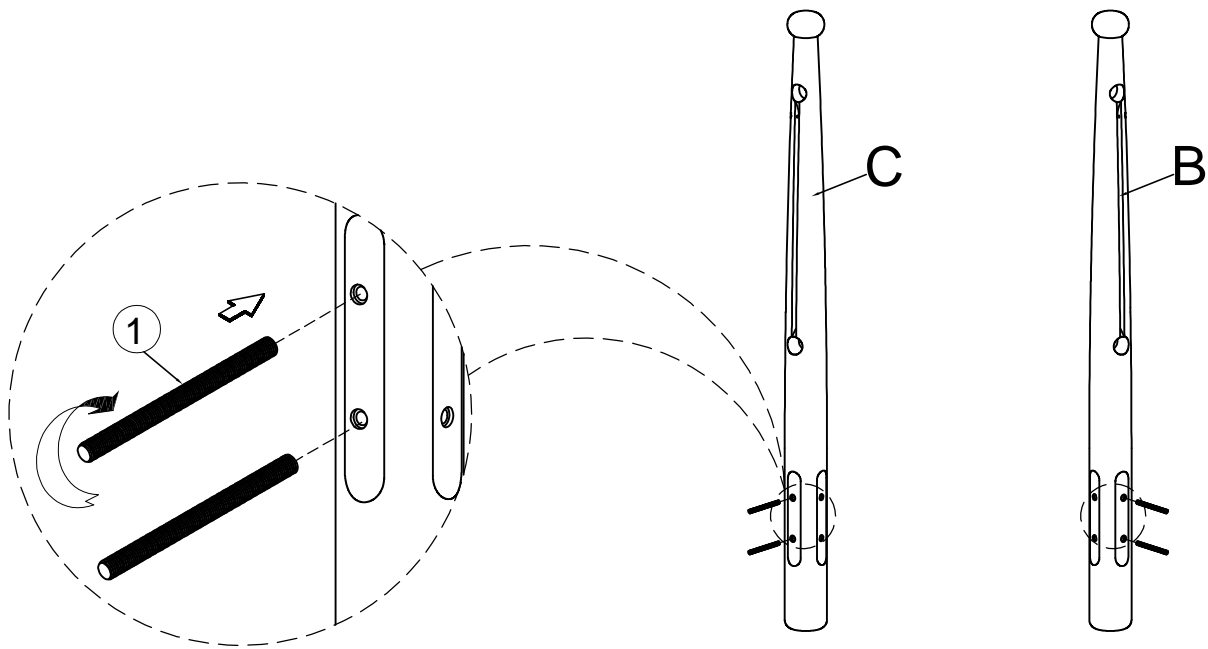


This Bed has multiple parts and may require up to 30 minutes to assemble. To give you overview of the Bed parts, the above picture is to help you put the various parts into perspective. Please read through the instructions below to familiarise yourself with the parts and steps before assembly.

**STEP 1 :**



- Attach the Hang Bolt ( 1 ) to the Headboard Left Leg ( B ) & Headboard Right Leg ( C )

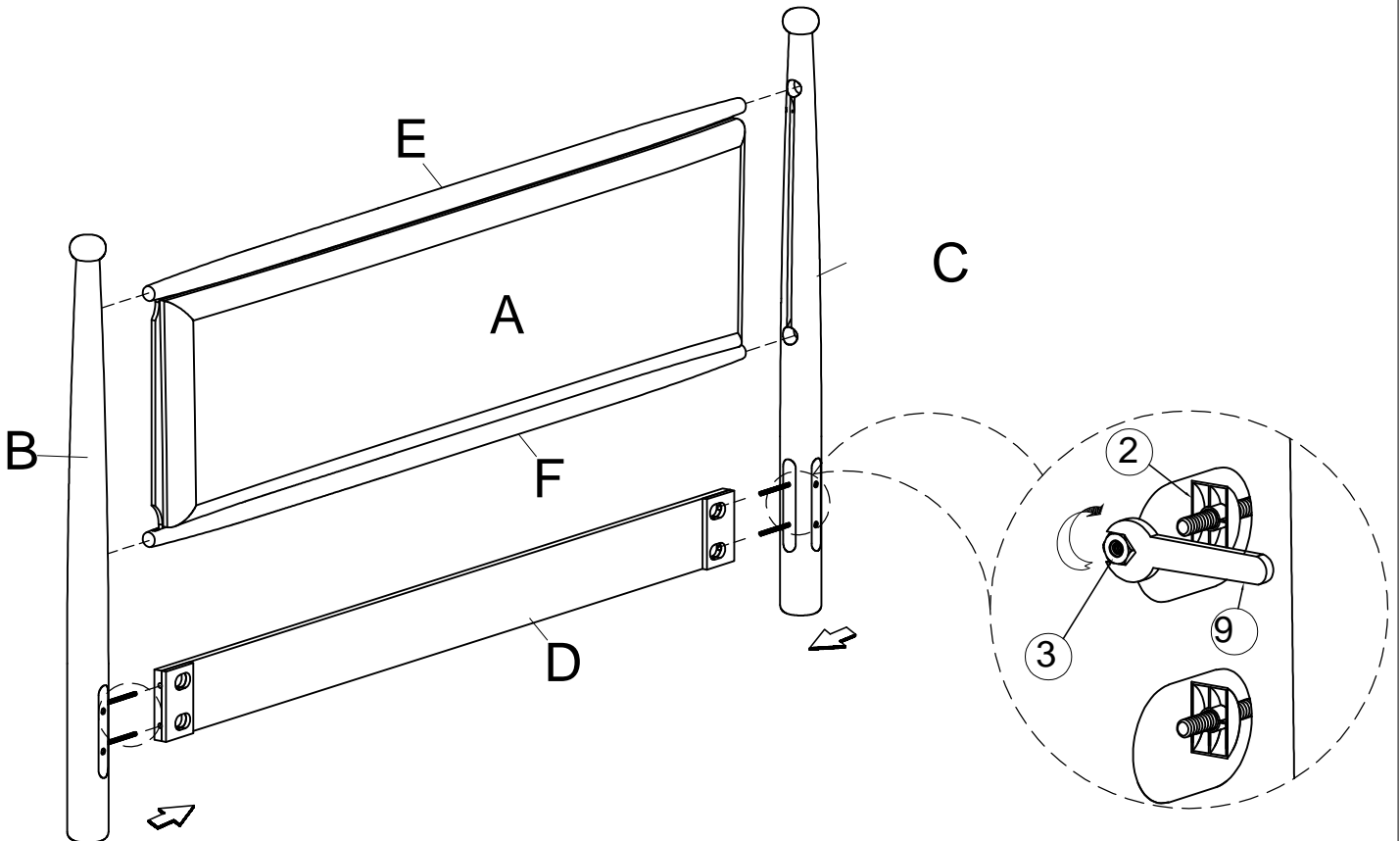
1

4(pcs)



**STEP 2 :**

- Attach the Headboard bar ( D ) to the Headboard Leg ( B & C ) using Crescent Spacer ( 2 ), and Nut ( 3 ). Tighten with Wrench ( 9 ) as show in Figure, Don't tight Nut ( 3 ) fully.
- When Headboard bar ( D ) and Headboard Legs ( B & C ) fixed, please fully tighten all Nut ( 3 ).

2	3
	
4(pcs)	4(pcs)



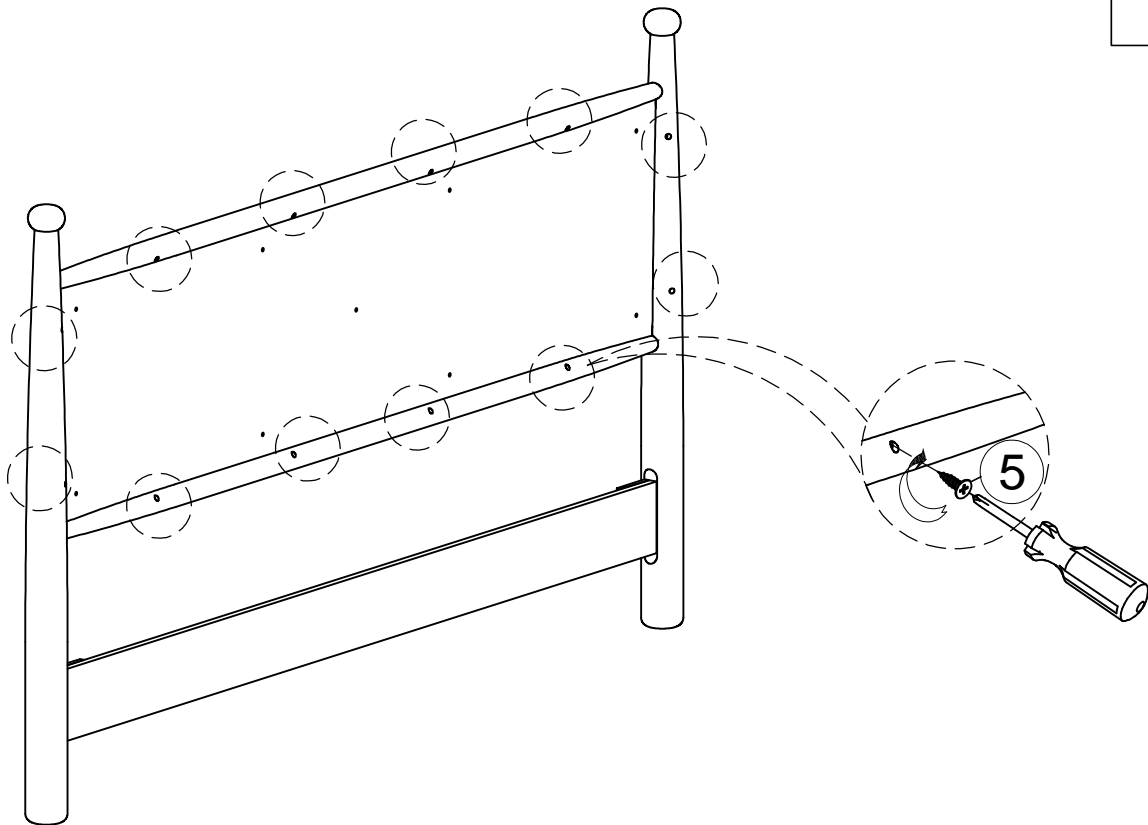
**STEP 3 :**

- Attach the Headboard Rails ( E & F ) and the Headboard Legs ( B & C ) to the Headboard ( A ) using Screws ( 5 )

5



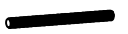
12(pcs)



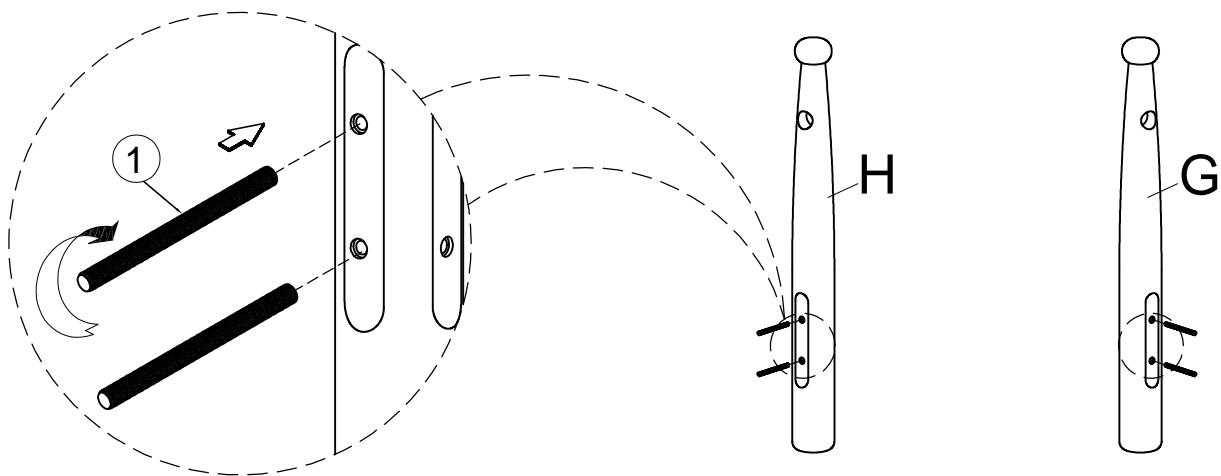
**STEP 4 :**

- Attach the Hang Bolt ( 1 ) to the Footboard Left Leg ( G ) & Footboard Right Leg ( H )

1







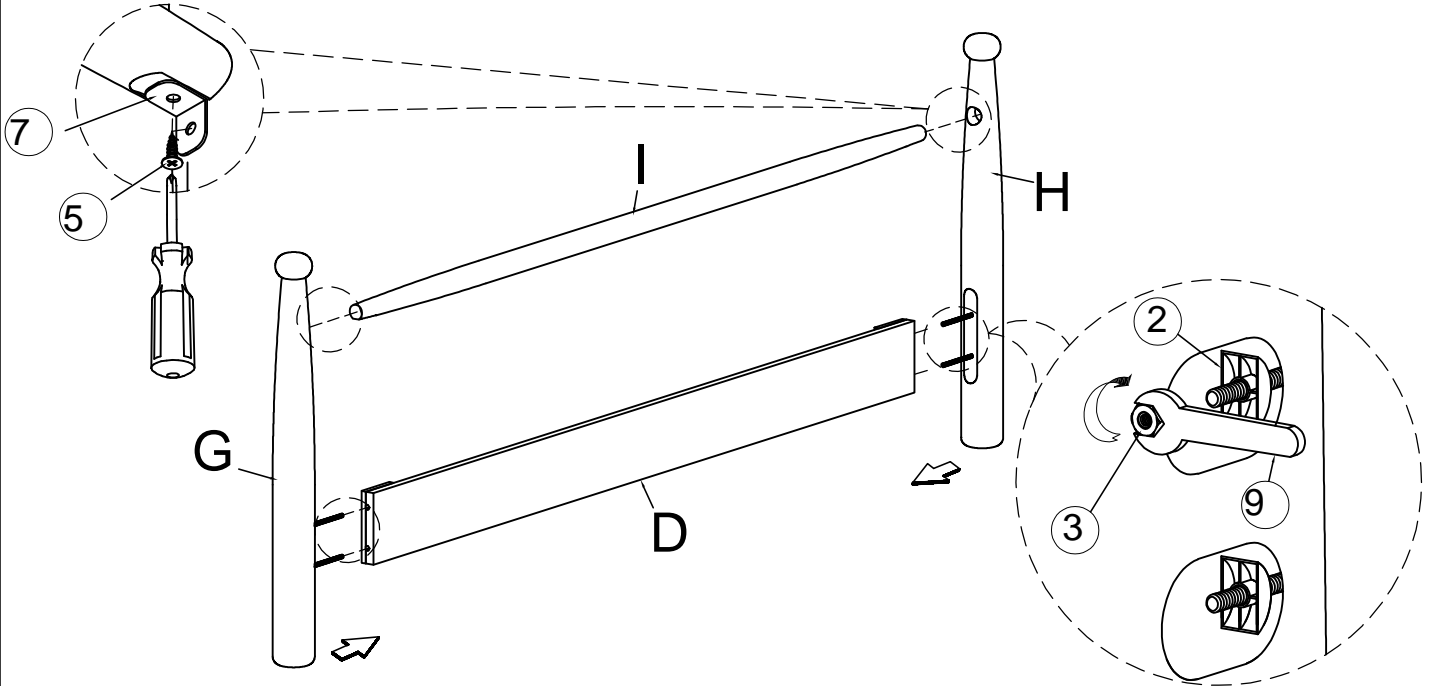
4(pcs)



**STEP 5 :**


- Attach the Footboard bar ( D & I ) to the Footboard Leg ( G & H ) using Crescent Spacer ( 2 ), and Nut ( 3 ). Tighten with Wrench ( 9 ) as show in Figure, Don't tight Nut ( 3 ) fully.
- When Footboard bar ( D & I ) and Footboard Legs ( G & H ) fixed, please fully tighten all Nut ( 3 ).
- Attach the Footboard bar ( I ) to the Footboard Legs ( G & H ) using Bracket ( 7 ) and Screws( 5 ).

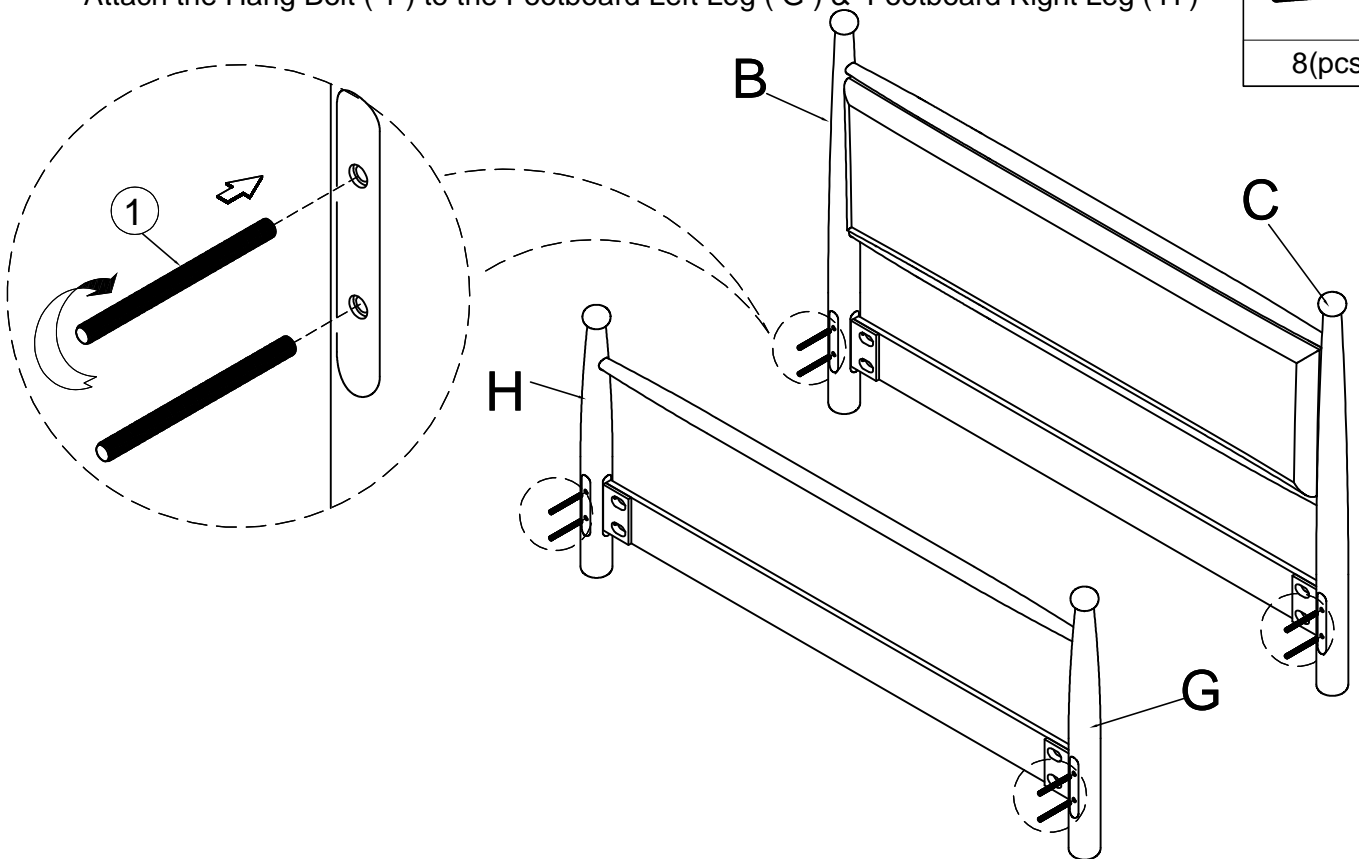
<b>2</b>	<b>3</b>	<b>5</b>	<b>7</b>
			
4(pcs)	4(pcs)	4(pcs)	2(pcs)



**STEP 6 :**



- Attach the Hang Bolt ( 1 ) to the Headboard Left Leg ( B ) & Headboard Right Leg ( C )
- Attach the Hang Bolt ( 1 ) to the Footboard Left Leg ( G ) & Footboard Right Leg ( H )

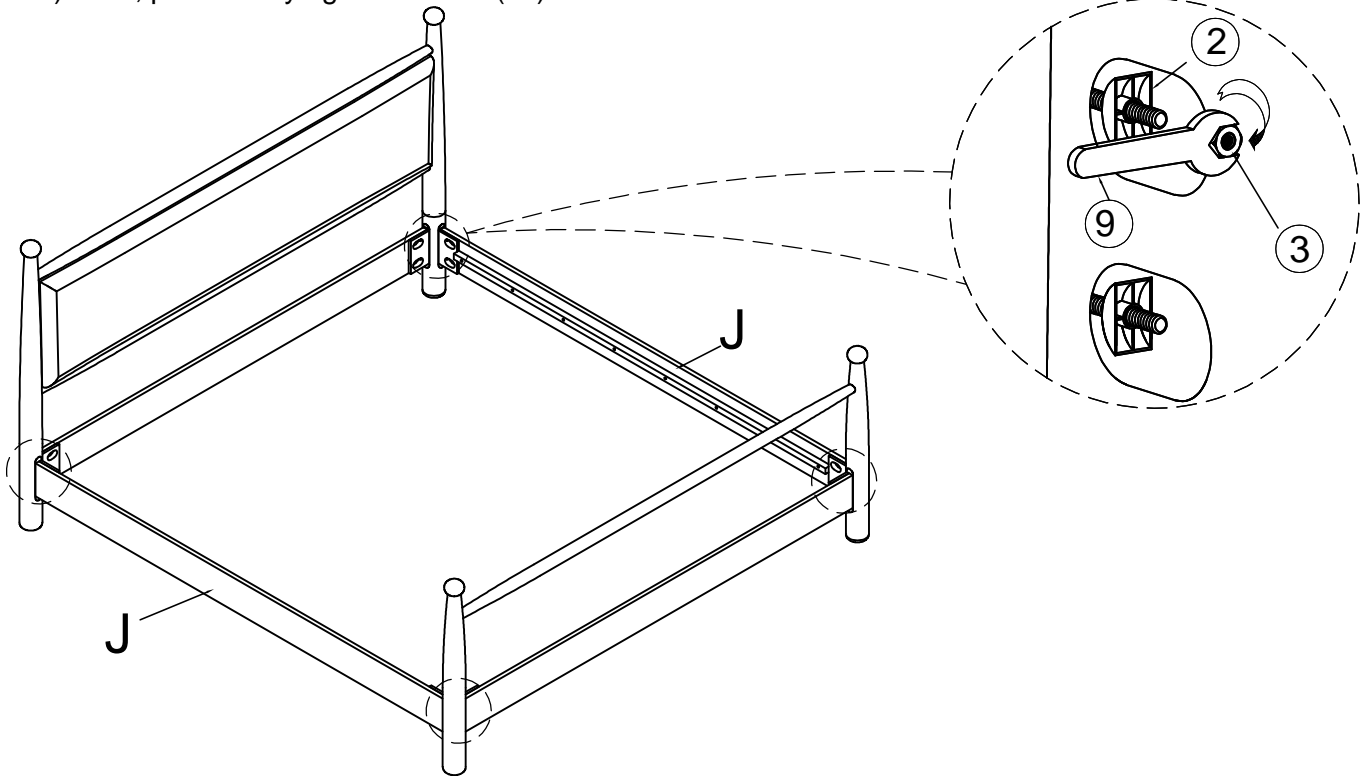
<b>1</b>

8(pcs)



**STEP 7 :**


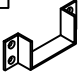
- Attach the Side Rail ( J ) to the Headboard ( A,B,C,D,E & F ) and Footboard ( G,H,D & I ) using Crescent Spacer ( 2 ), and Nut ( 3 ). Tighten with Wrench ( 9 ) as show in Figure, Don't tight Nut ( 3 ) fully.
- When Headboard ( A,B,C,D,E & F ), Footboard ( G,H,D & I ) and Side rail ( J ) fixed, please fully tighten all Nut ( 3 ).

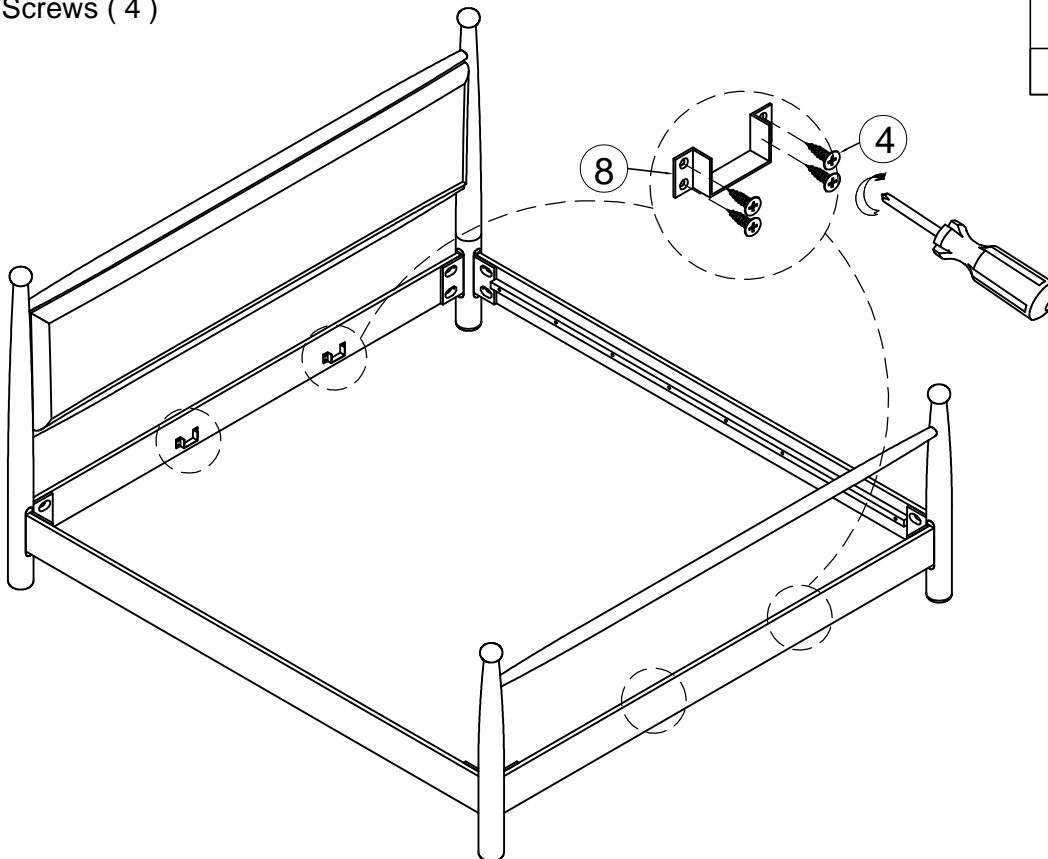
<b>2</b>	<b>3</b>
	
8(pcs)	8(pcs)



**STEP 8 :**

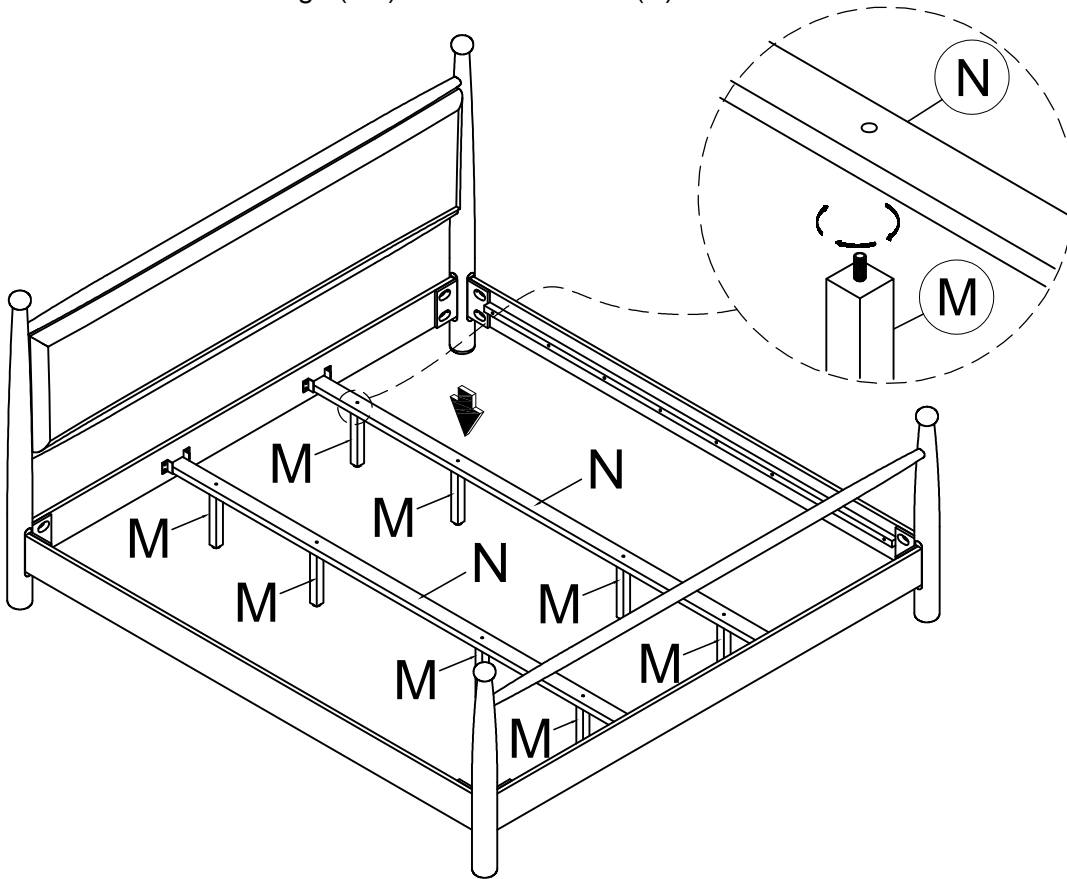
- Attach the Bracket ( 8 ) to the Headboard & Footboard bar (D) using Screws ( 4 )

<b>4</b>	<b>8</b>
	
16(pcs)	4(pcs)



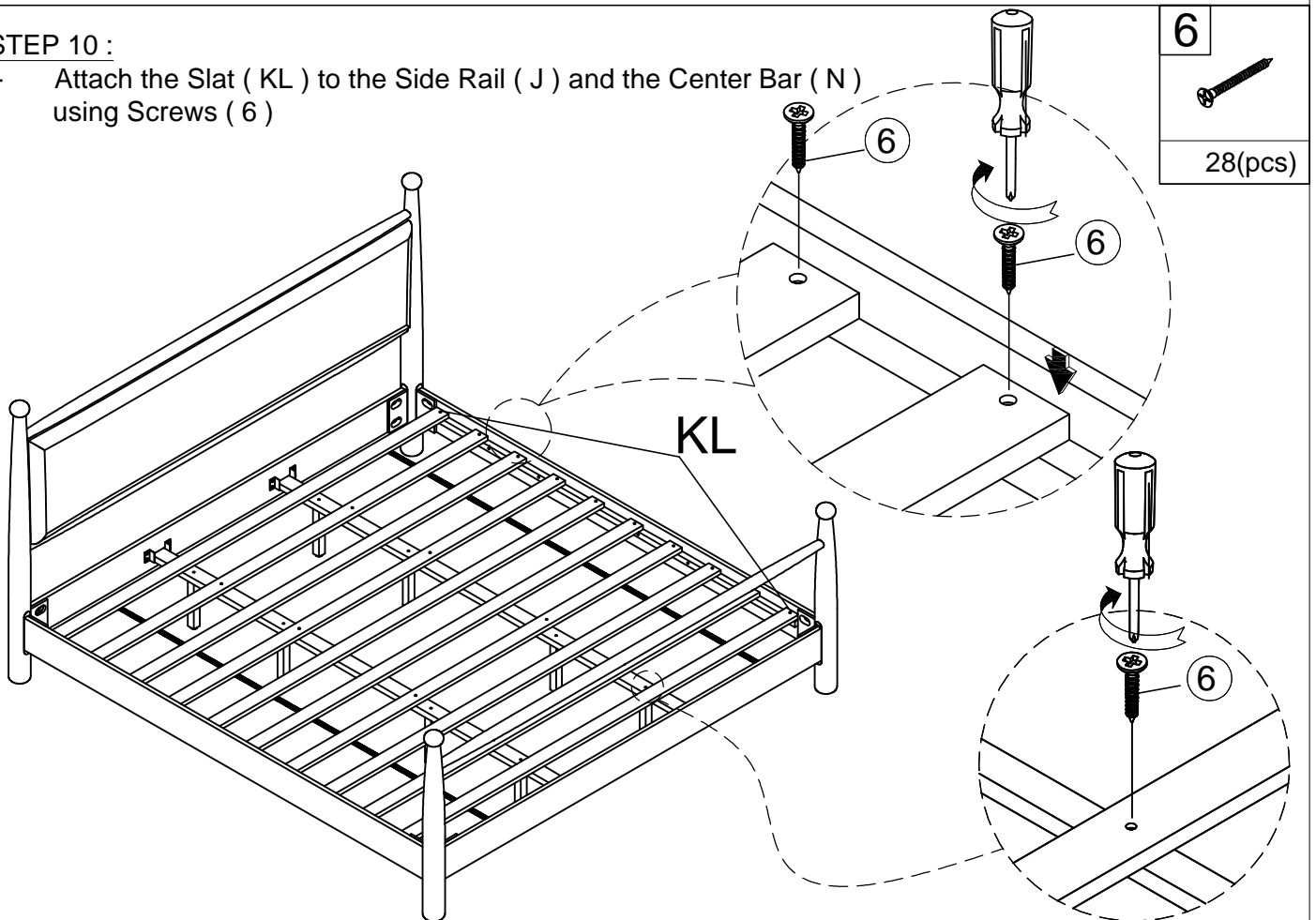
**STEP 9 :**

- Attach the Center Legs ( M ) to the Center bar ( N )

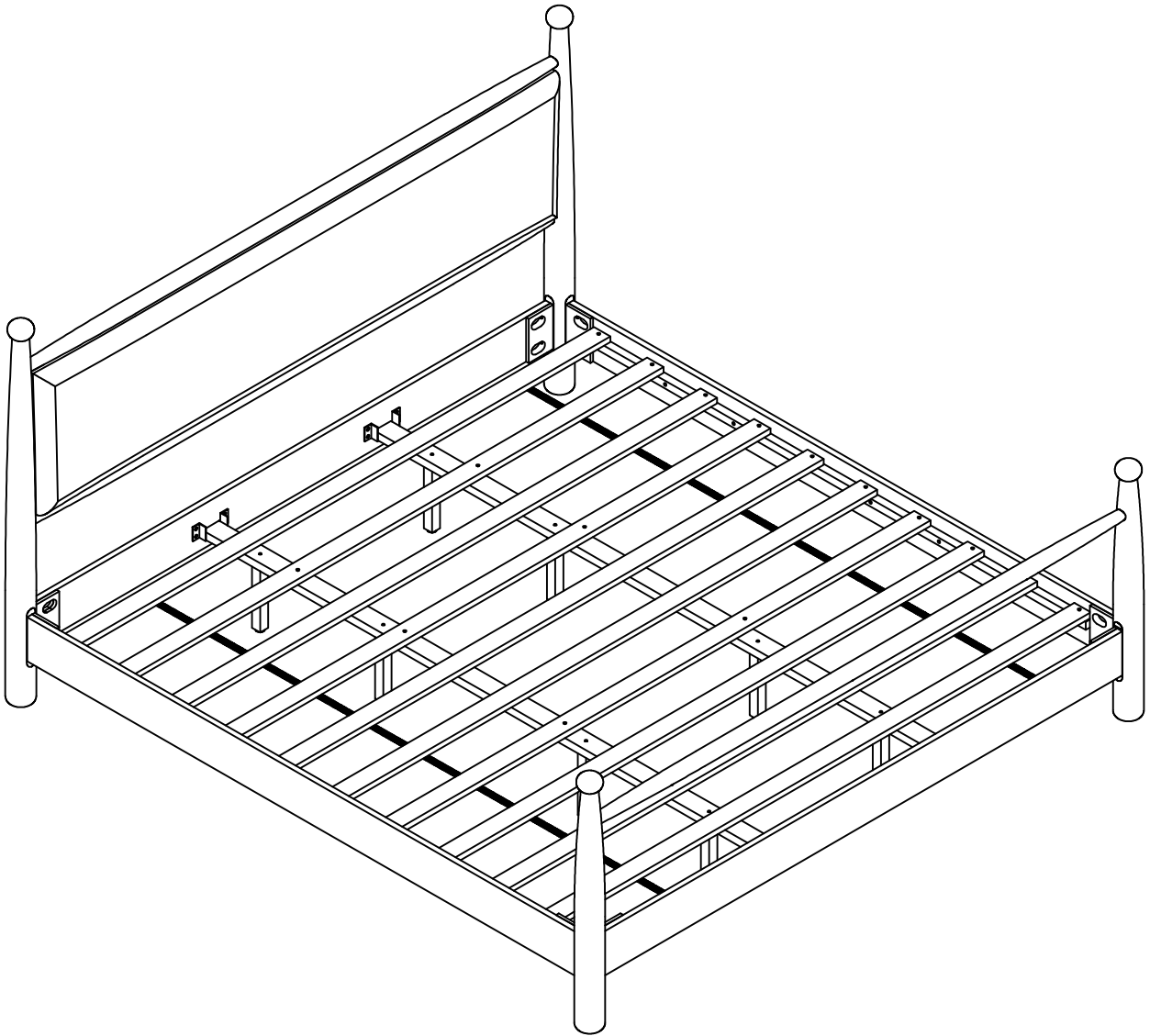


**STEP 10 :**

- Attach the Slat ( KL ) to the Side Rail ( J ) and the Center Bar ( N ) using Screws ( 6 )



Finished :



Please note : this Bed can only be used on the flat, level surface