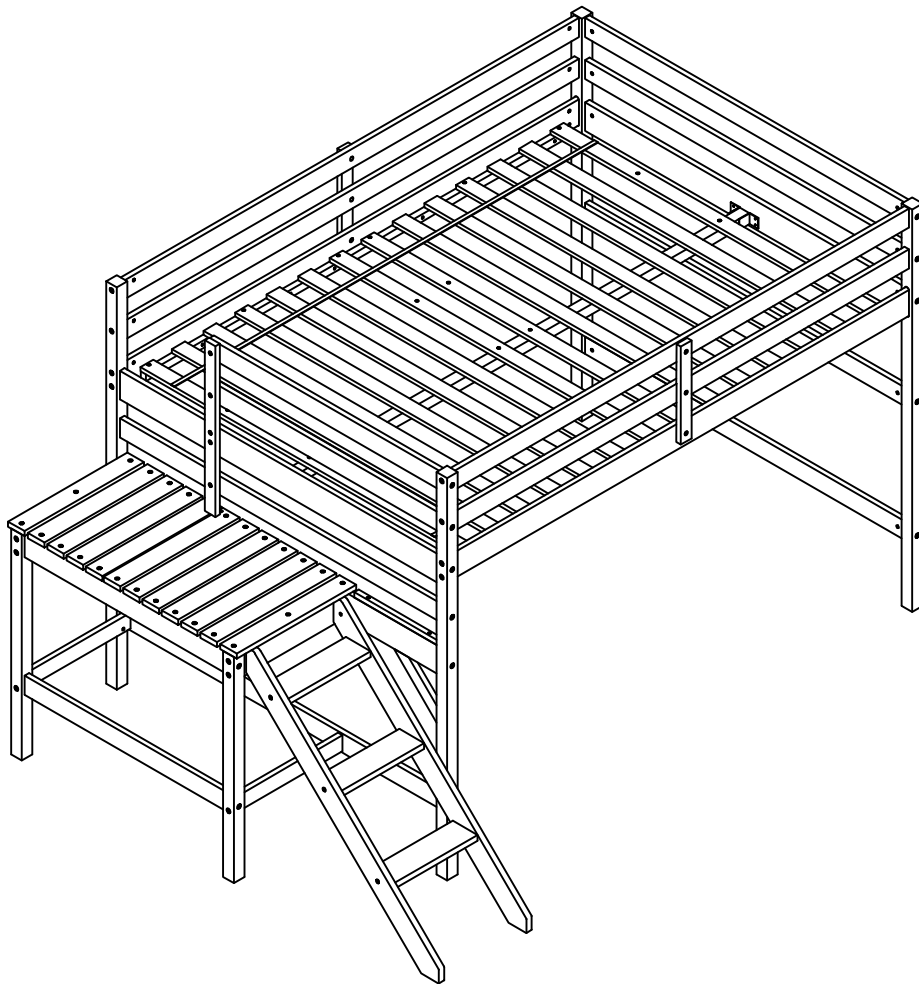


ASSEMBLY INSTRUCTIONS

FULL LOFT BED WITH PLATFORM



ILA11766



SAFETY WARNING



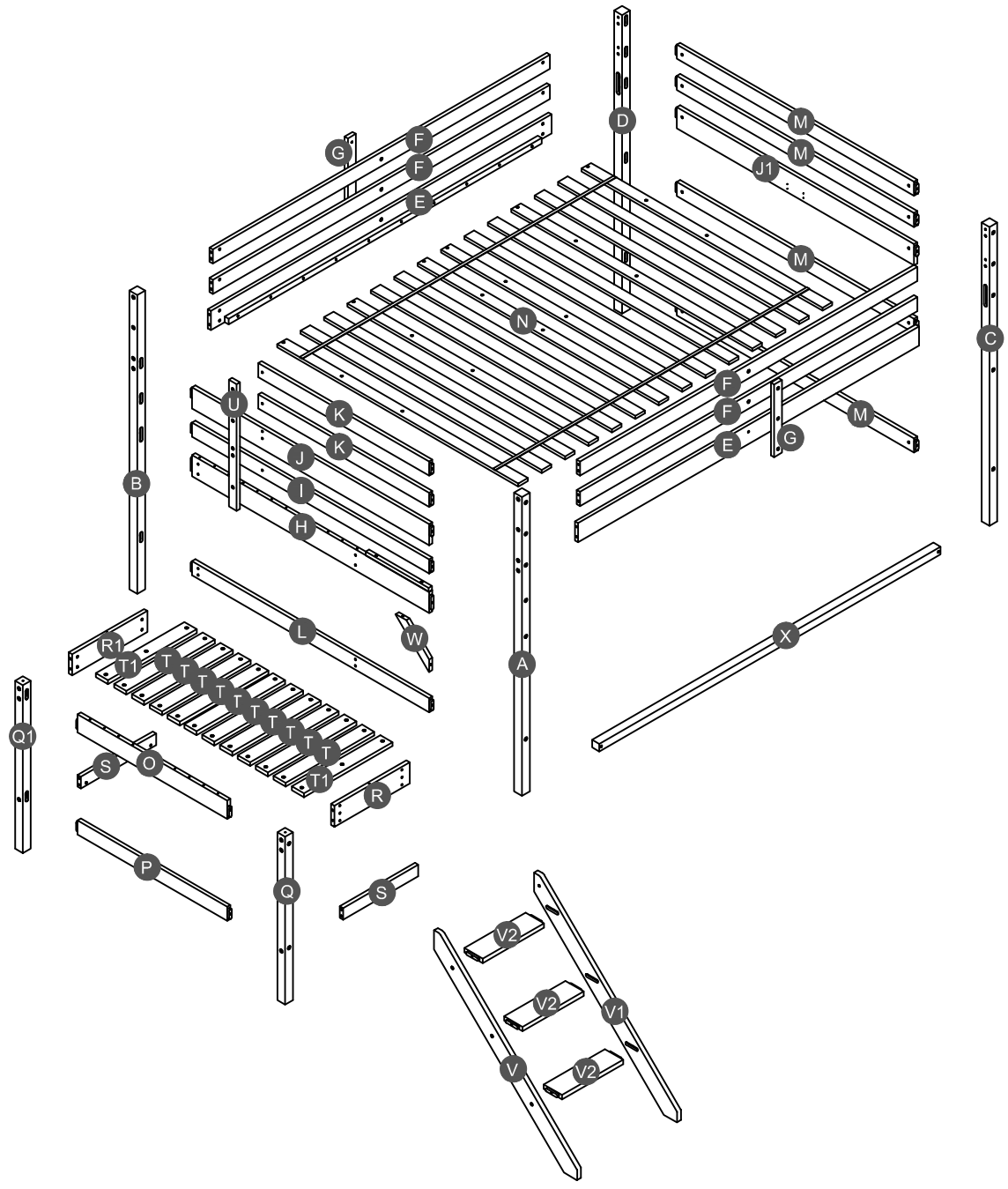
1. This bed is designed for use only mattress (es) meeting the following specifications on the upper bunk, and lower bunk:

Up bed (Bunk bed and tribed included)

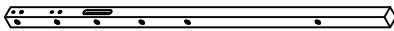
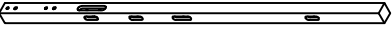
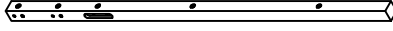
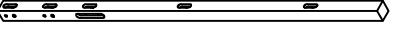

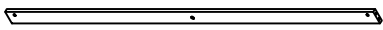
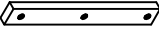
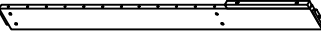
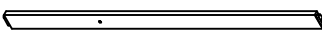
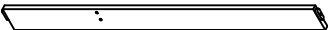
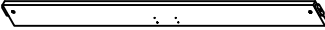
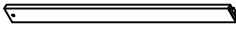
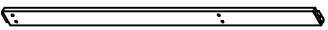
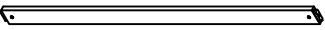
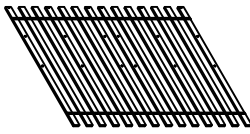
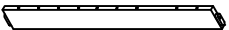
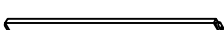
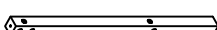
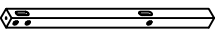
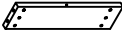
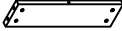
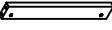
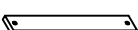
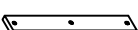

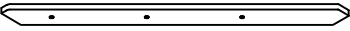
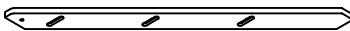
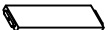
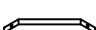
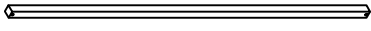
Bed type	Length	Width	Thickness
Full Standard	74"-75"	54"	6" max

2. Replacement parts, including additional guardrails, maybe obtained from any of our INSPIRIT LIFE GLOBAL PTE. LTD. 18961 ARENTH AVENUE, CITY OF INDUSTRY, CA, 91748
3. Follow the information on the warnings appearing on the upper bunk bed end structure and on the carton. Do not remove warning label from bed.
4. Always use the recommended size mattresses or mattress supports, or both, to help prevent the likelihood of entrapment or falls.
5. Surface of mattress must be at least 5" (127mm) below the upper edge of guardrails.
6. Do not allow children under 6 years of age to use the upper bunk.
7. Periodically check and ensure that the guardrail, ladder, and other components are in their proper position, free from damage, and that all connectors are tight.
8. Do not allow horseplay on or under the bed and prohibit jumping on the bed.
9. Always use the ladder for entering and leaving the upper bunk.
10. Do not use substitute part. Contact the manufacture or dealer for replacement part.
11. Use of a night light may provide added safety precaution for a child using the upper bunk.
12. Always use guardrails on both long sides of the upper bunk. If the bunk bed will be placed next to the wall, the guardrail that runs the full length of the bed should be placed against the wall to prevent entrapment between the bed and wall.
13. The use of water or sleep flotation mattresses is prohibited.
14. STRANGULATION HAZARD - Never attach or hang items to any part of the bunk bed that are not designed for use with the bed; for example, but not limited to, hook, belts and jump ropes.
15. Keep these instruction for future reference.
16. Prohibit more than one person on upper bunk
17. We recommend assembling your bunk bed on the shipping carton to protect your floor or carpet.
18. Be certain all staples are out of the box before beginning assembly on the shipping carton.



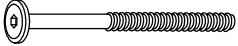
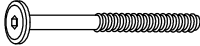
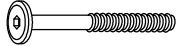






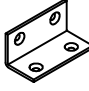
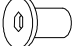
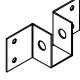

Detail View



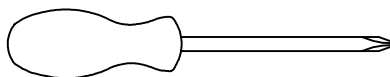
Part List

A  Leg (Left front) - 1pc	B  Leg (Left back) - 1pc	C  Leg (Right front) - 1pc
D  Leg (Right back) - 1pc	E  Side rail - 2pcs	F  Long guard rail - 4pcs
G  Vertical guard rail - 2pcs	H  Lower horizontal bar FB - 1pc	I  Divider horizontal bar FB - 1pc
J  Divider horizontal bar FB - 1pc	J1  Divider horizontal bar HB - 1pc	K  Upper horizontal bar FB - 2pcs
L  Lower horizontal bar FB - 1pc	M  Horizontal bar HB - 4pcs	N  Slat (1Set = 14pcs)
O  Upper horizontal bar - 1pc	P  Lower horizontal bar - 1pc	Q  Leg (Left front) - 1pc
Q1  Leg (Left back) - 1pc	R  Upper horizontal bar (front) - 1pc	R1  Upper horizontal bar (back) - 1pc
S  Lower horizontal bar (front/back) - 2pcs	T  Horizontal bar - 10pcs	T1  Horizontal bar - 2pcs
U  Vertical guard rail - 1pc	V  Left side ladder - 1pc	V1  Right side ladder - 1pc
V2  Step ladder - 3pcs	W  Support - 1pc	X  Support horizontal bar - 1pc

Hardware List

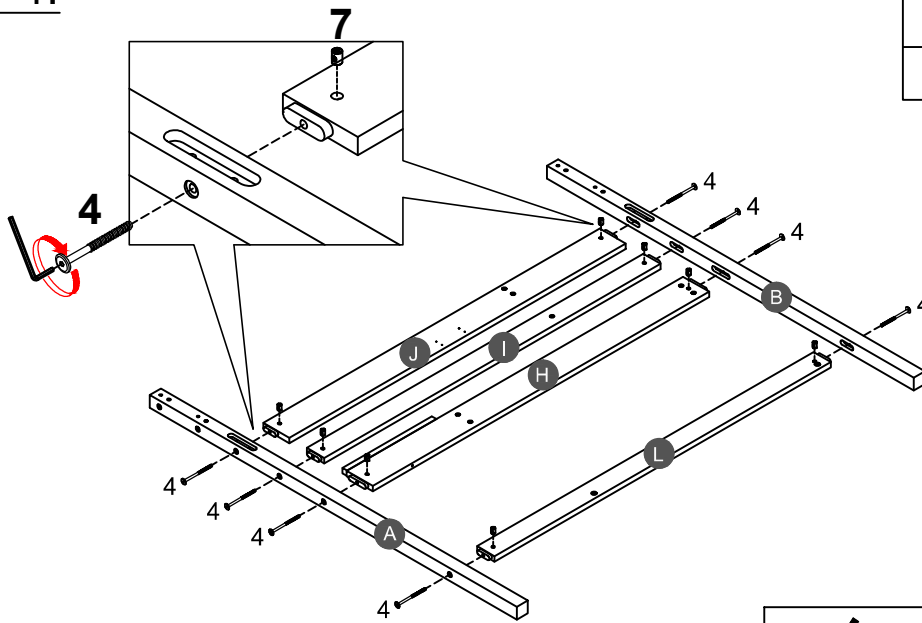
1	 Ø8*30mm Wood dowel (8pcs)	2	 Ø10*40mm Wood dowel (8pcs)	3	 (Ø15)1/4"*100mm Hex-Head bolts (16pcs)
4	 (Ø15)1/4"*80mm Hex-Head bolts (30pcs)	5	 (Ø12)1/4"*60mm Hex-Head bolts (14pcs)	6	 (Ø12)1/4"*30mm Hex-Head bolts (11pcs)
7	 1/4"*15 (9.5mm) Horizontal-Hole bolts(60pcs)	8	 (Ø12)1/4"*40mm Hex-Head bolts (28pcs)	9	 Ø4*30mm Wood screws (16pcs)
10	 Ø3.5*15mm Wood screws (12pcs)	11	 (1/4")4.5*58mm Allen key (2pcs)	12	 40*18*18*2mm Metal bracket (1pc)
13	 (Ø13)1/4"*14mm Connect bolt (2pcs)	14	 116*40*27mm Metal bracket (2pcs)	15	 (Ø12)1/4"*40mm Hex-Head bolts (2pcs)



ASSEMBLY TOOLS REQUIRED (NOT INCLUDED)



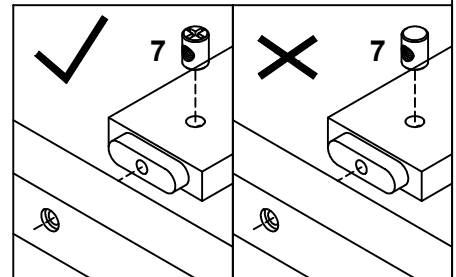
PLEASE BE CAREFUL DO NOT DAMAGE THE HOLE POSITION WHEN YOU USE POWER TOOLS !

STEP 1:

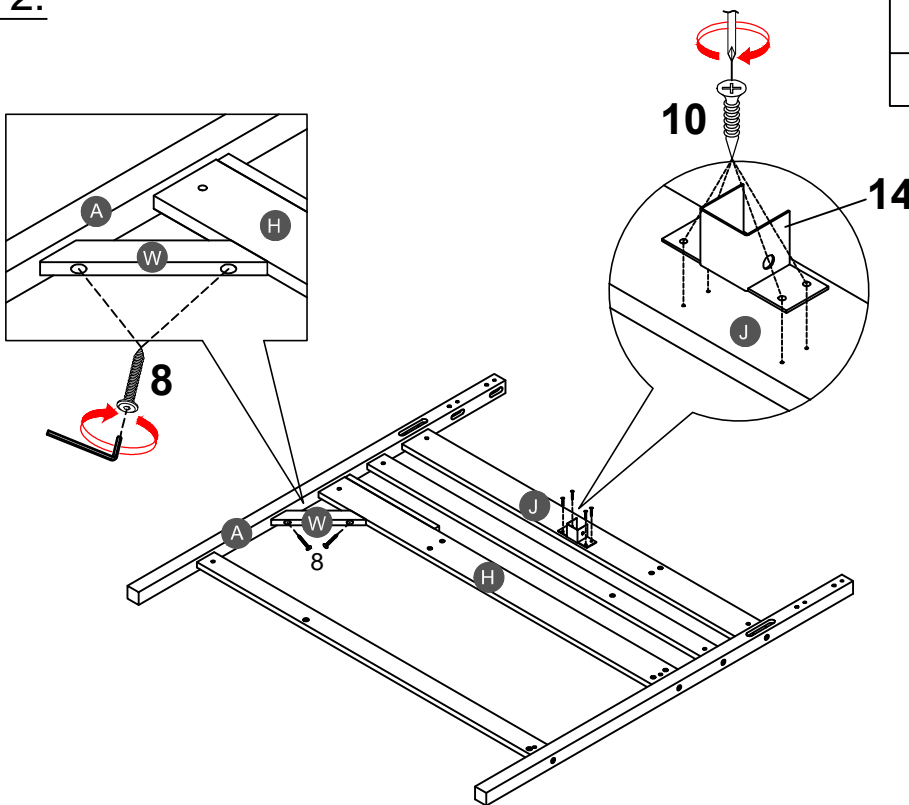




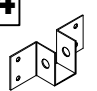
4		7	
8PCS		8PCS	

Note: Part 7 will face up with the "x" mark on it, otherwise it cannot be tightened

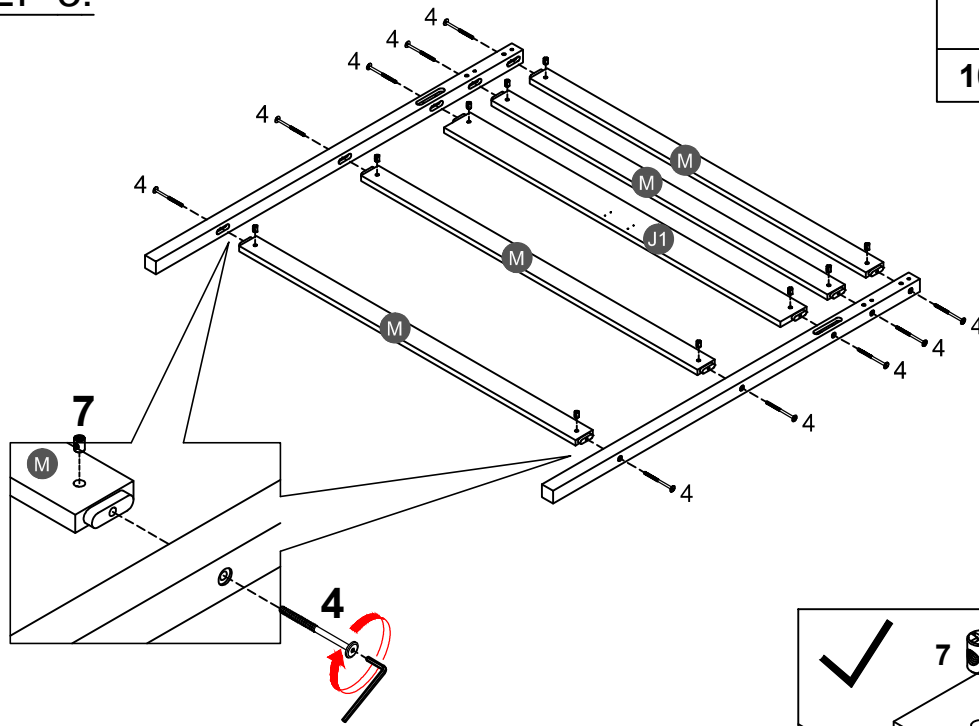




STEP 2:



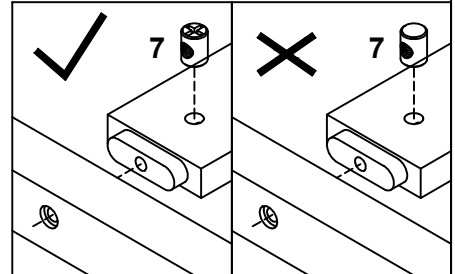
8		10	
2PCS		4PCS	
		14	
		1PC	

STEP 3:

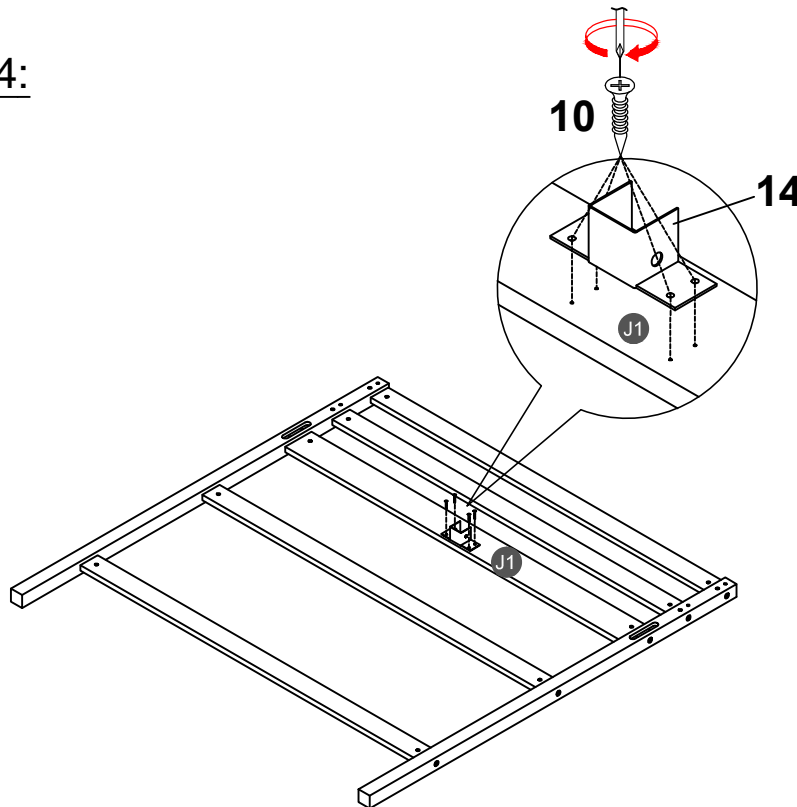



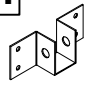
4		7	
10PCS		10PCS	

Note: Part 7 will face up with the "x" mark on it, otherwise it cannot be tightened

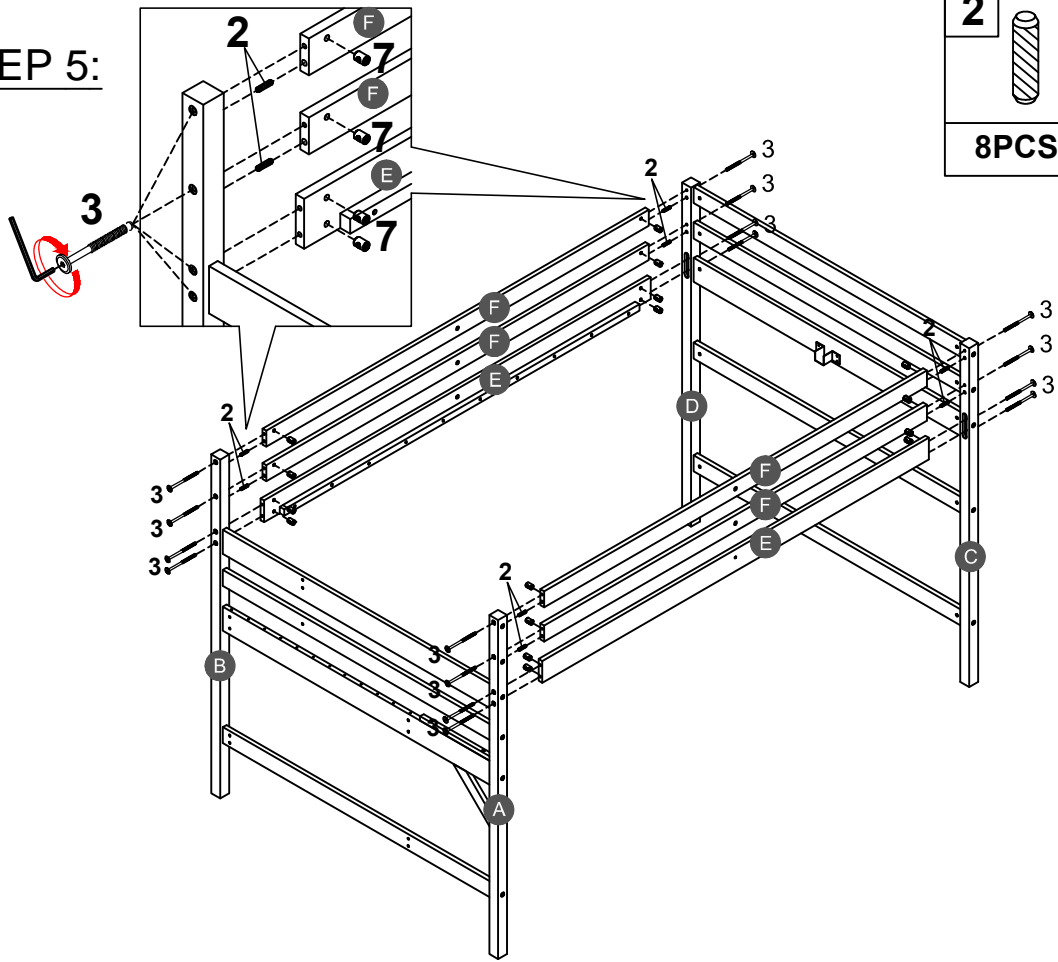





STEP 4:



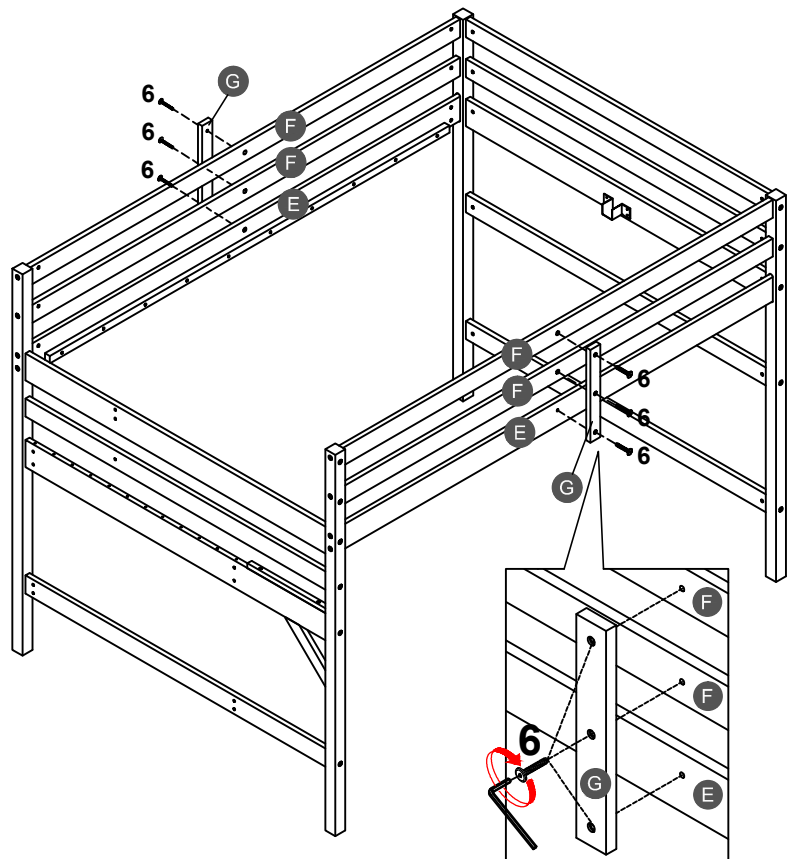
10		14	
4PCS		1PC	


STEP 5:



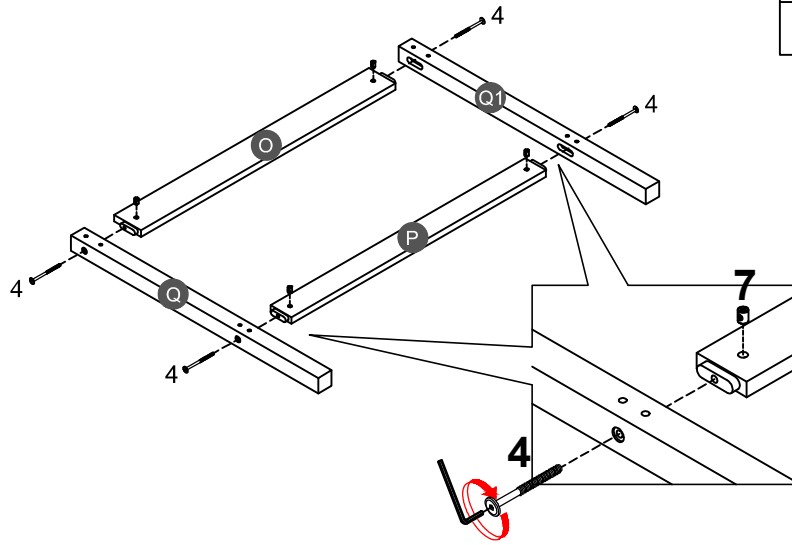
2		3	
8PCS		16PCS	
		7	
		16PCS	



STEP 6:



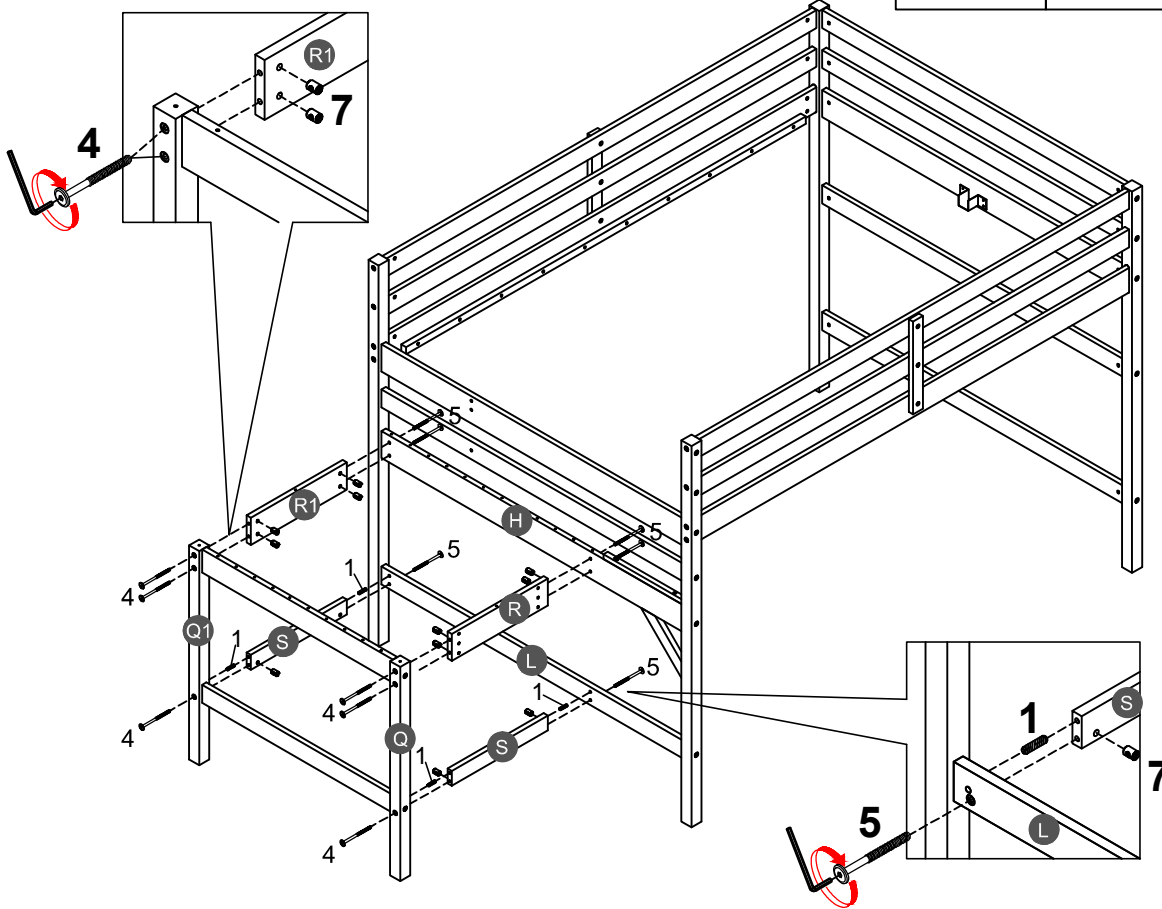
6	
6PCS	





STEP 7:



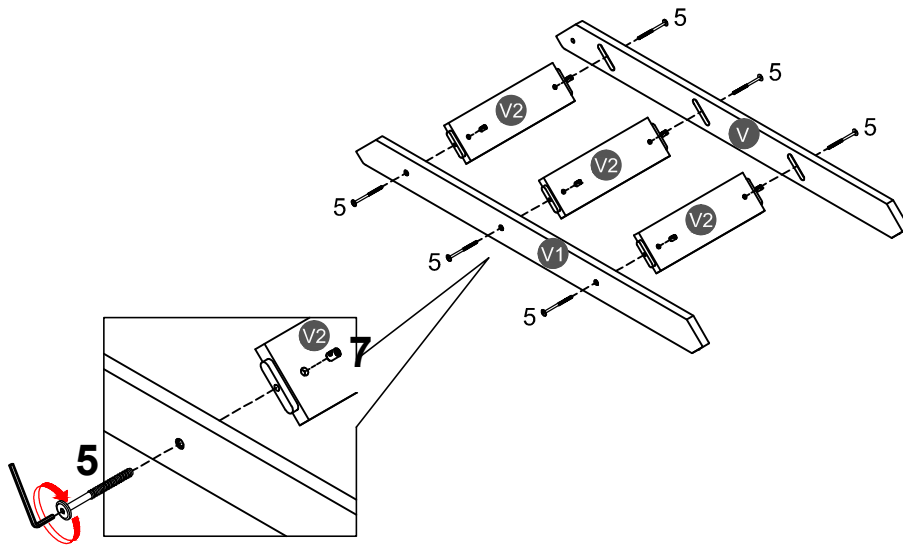
4		7	
4PCS		4PCS	



STEP 8:



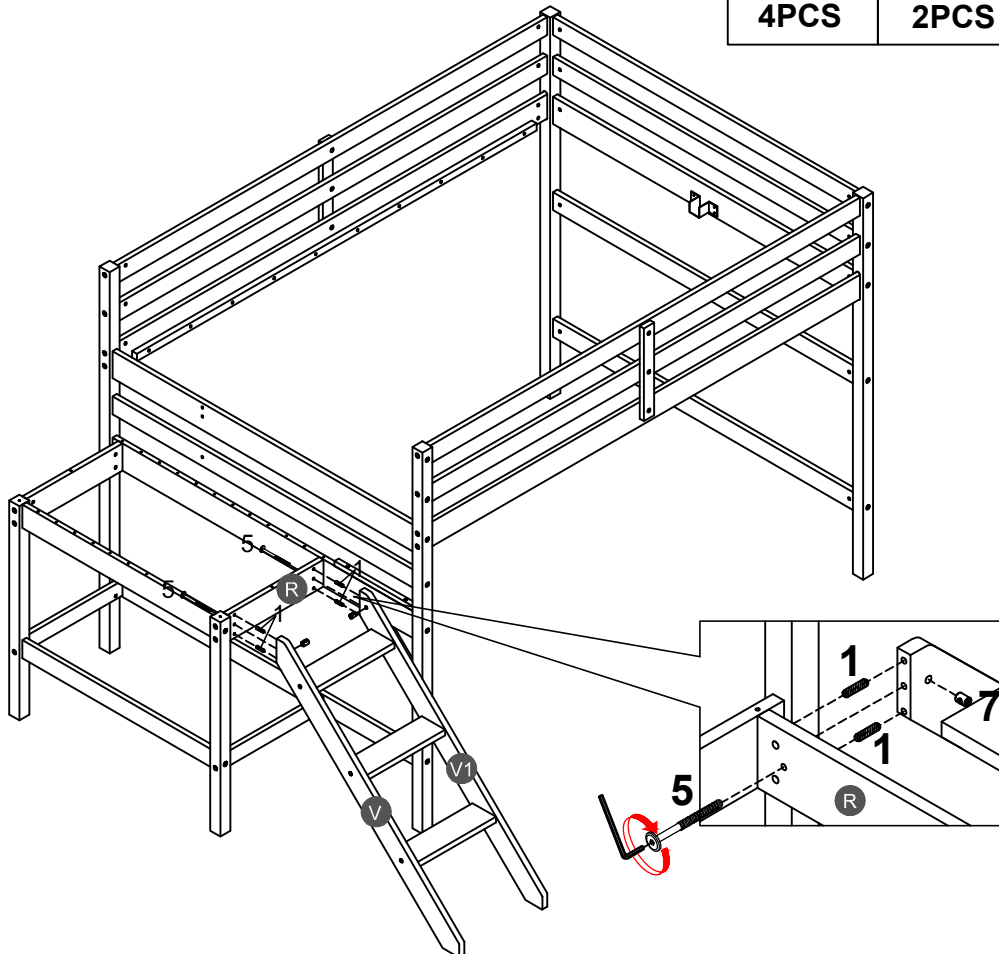
1		4		5		
4PCS		6PCS		6PCS		
					7	
					12PCS	




STEP 9:



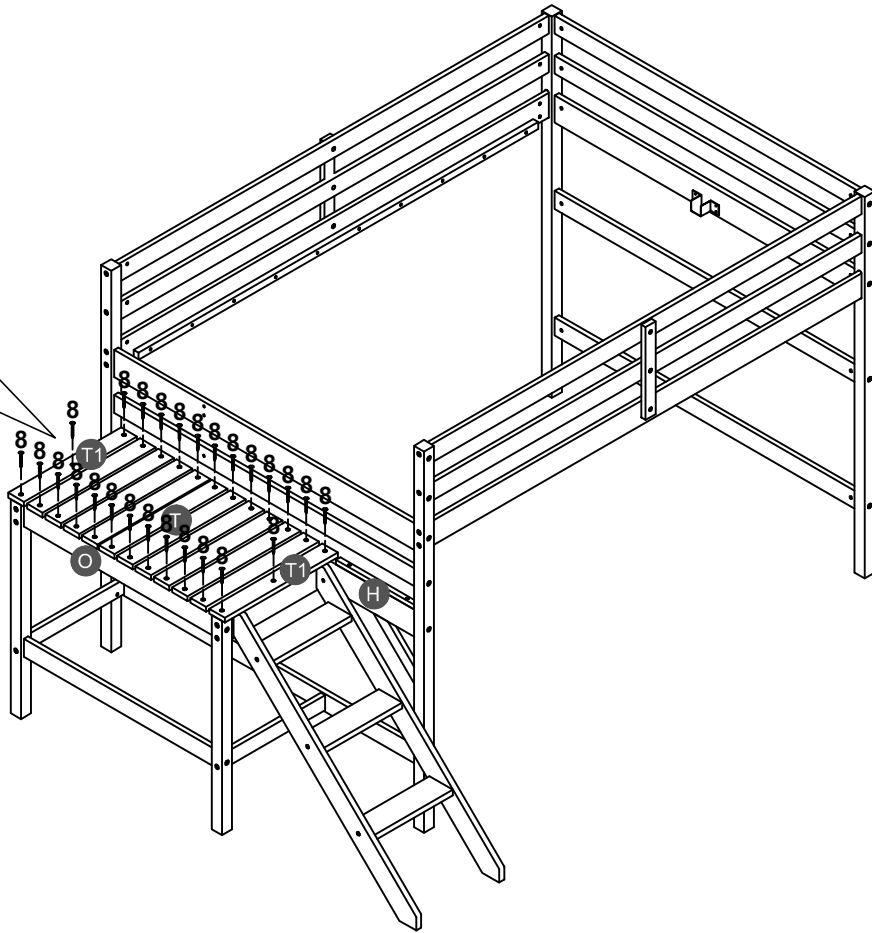
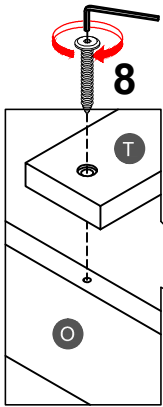
5		7	
6PCS		6PCS	

STEP 10:



1		5		7	
4PCS		2PCS		2PCS	

STEP 11:

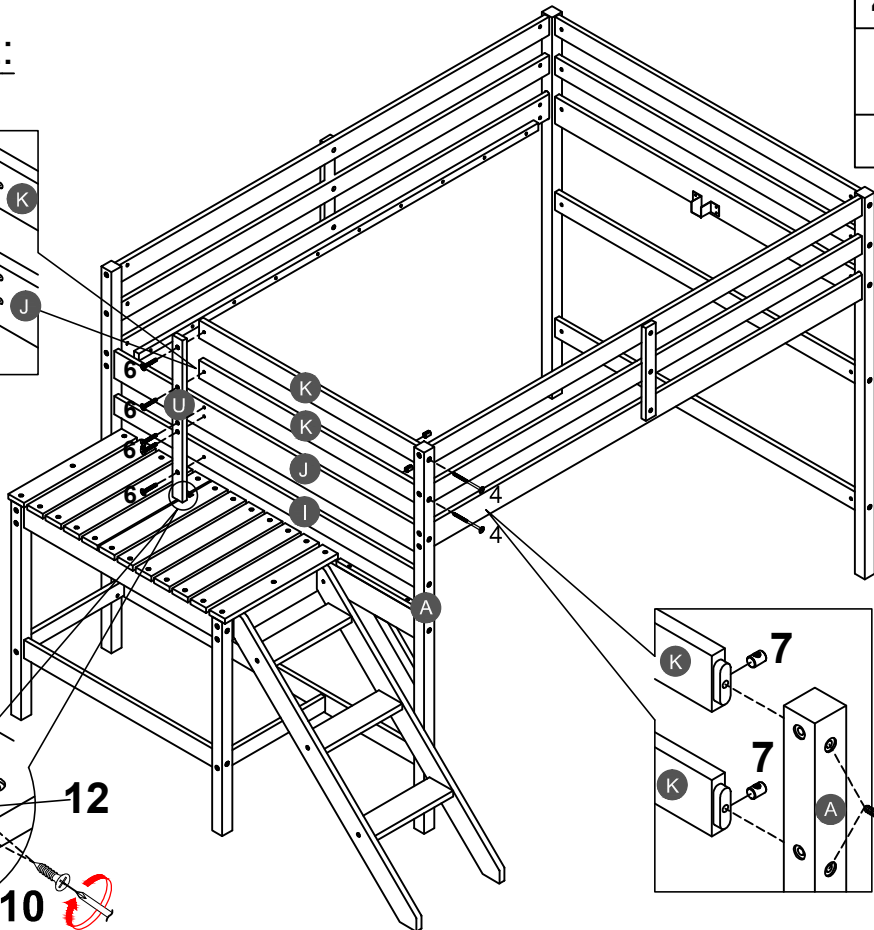
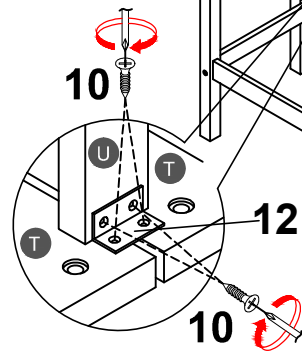
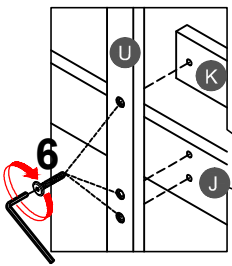


8



26PCS

STEP 12:



4



2PCS

6



5PCS

7



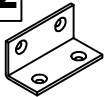
2PCS

10



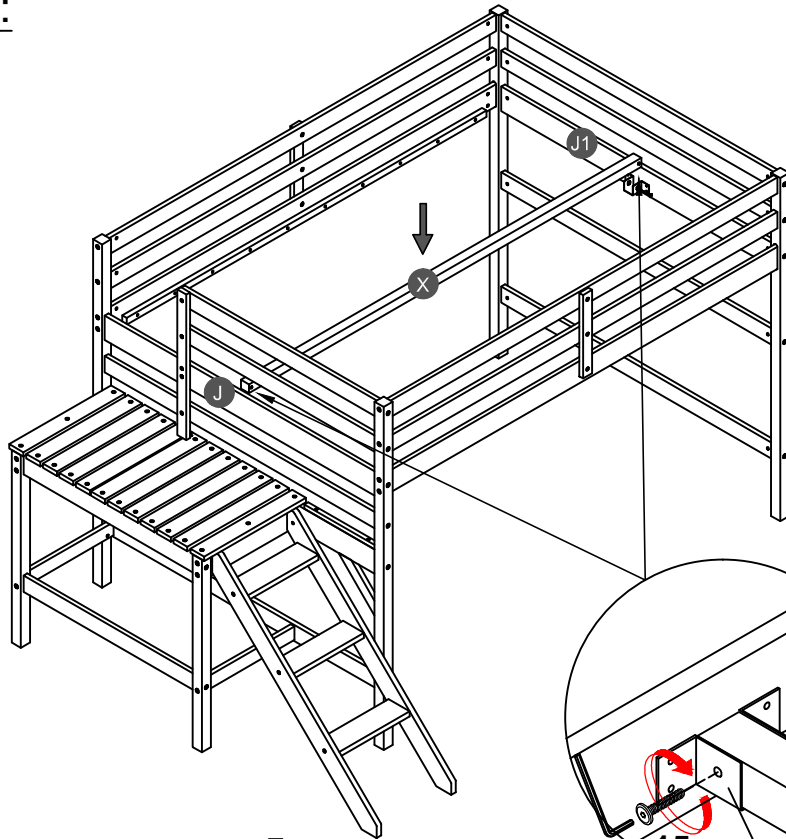
4PCS

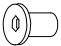
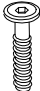
12

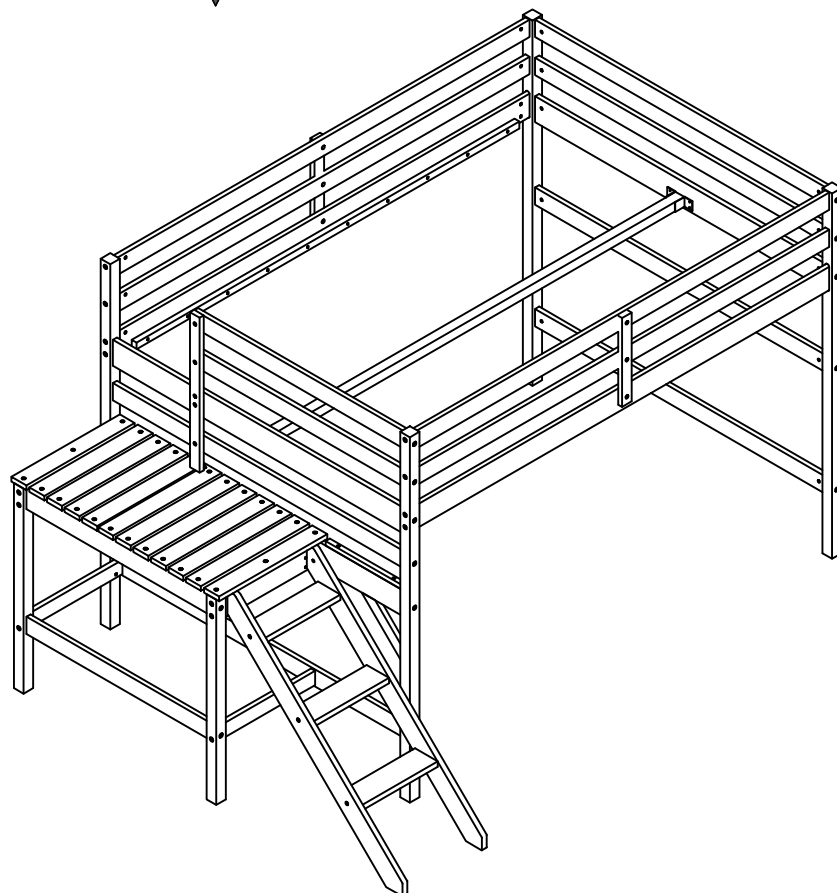


1PC

STEP 13:



13

2PCS
15

2PCS

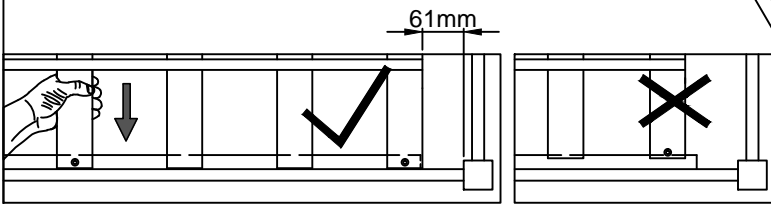
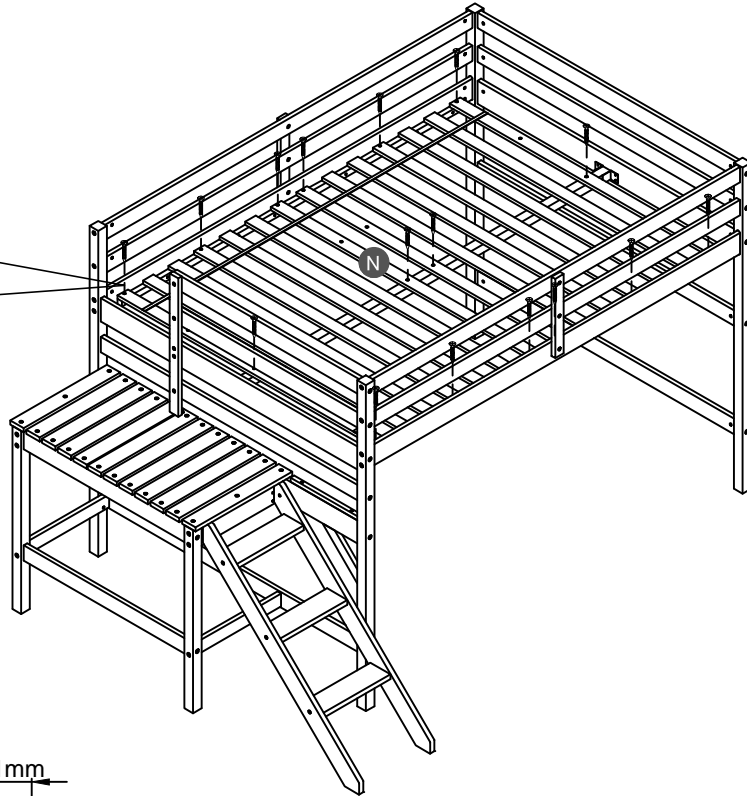
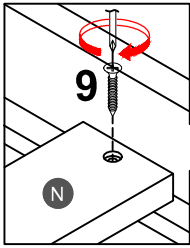


STEP 14:

9



16PCS



Note: Do not lock the screws of the bed slats to the outermost edge of the bed slats, you need to leave a certain space at the edges, otherwise it will cause the board to break. Do not lock the bed slats on the edge of the wood, please hold firmly before screwing, hold it in place with one hand, then lock the screw.

