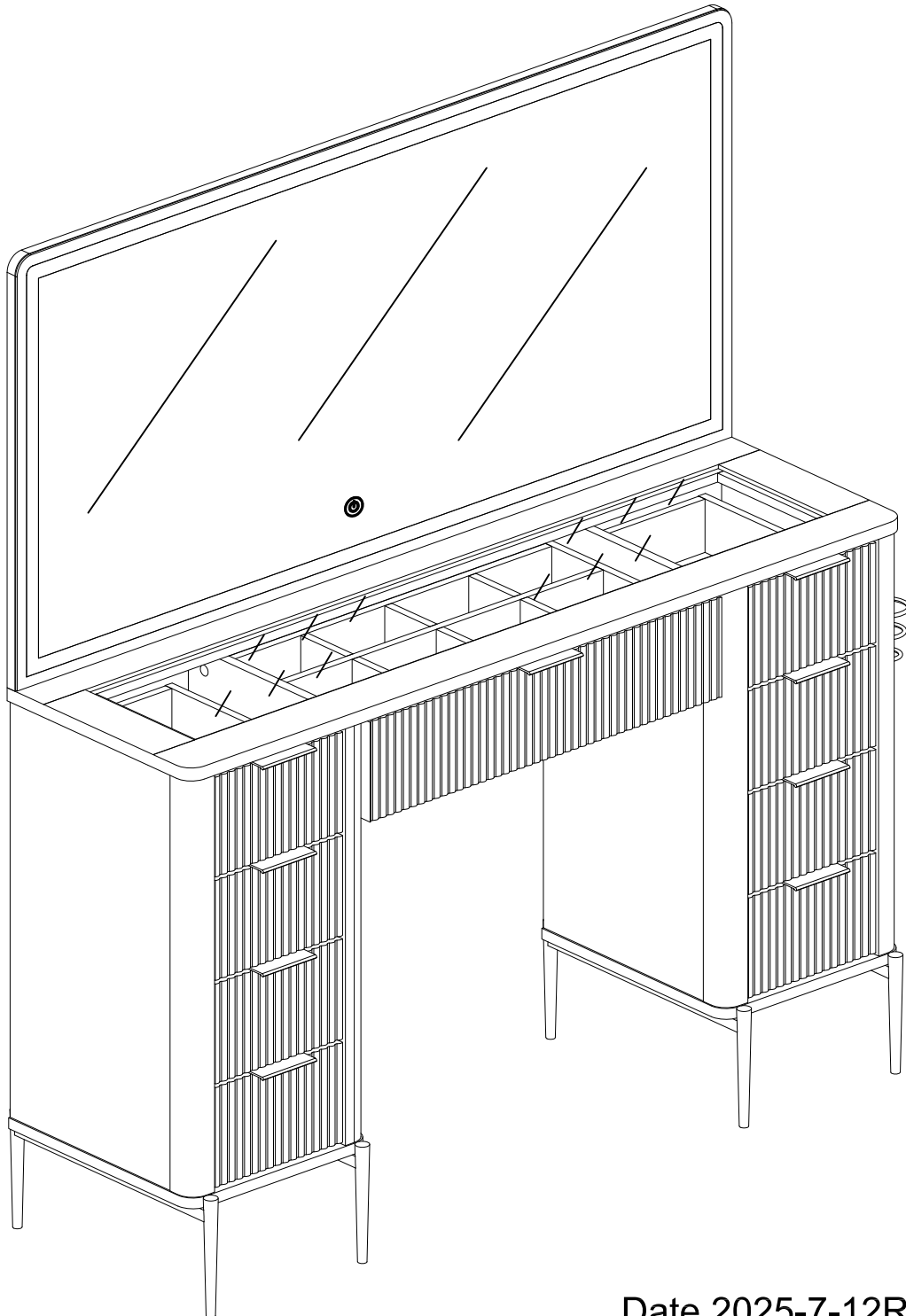


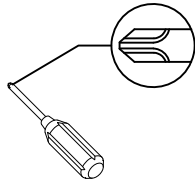
Assembly Instructions



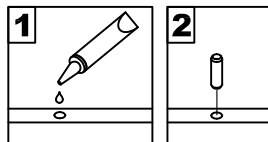
Date 2025-7-12Rev.02-A

General Assembly Guidelines

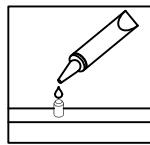
- I. Ensure that all parts and hardware are available before beginning assembly.
- II. Follow each step carefully to ensure the proper assembly of this product.
- III. Two people are recommended for ease in the assembly of this product.
- IV. A Phillips head screwdriver is required for the assembly of this product .



- V. The provided glue is to secure wood dowels in place . When first inserting dowels , locate the appropriate hole for the dowel , place a small amount of glue in the hole and insert the dowel . Wipe away excess glue immediately.

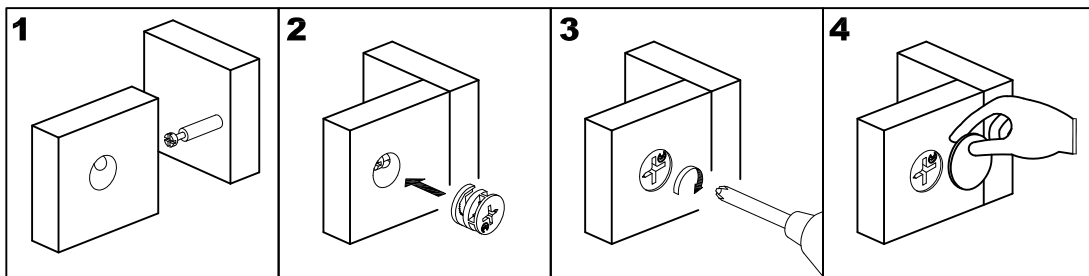


In future assembly steps when dowels are necessary to attach assembly parts together , place a small amount of glue on the end of the dowel before attaching parts together . Wipe away excess glue immediately.

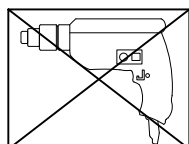


VI HOW THE KNOCK DOWN (KD) ASSEMBLY SYSTEM WORKS

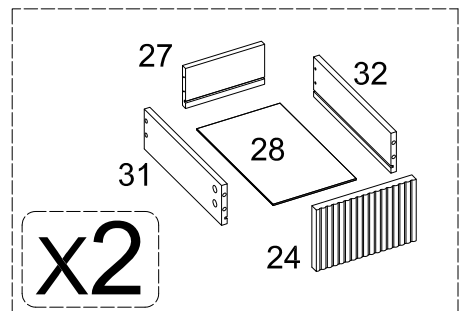
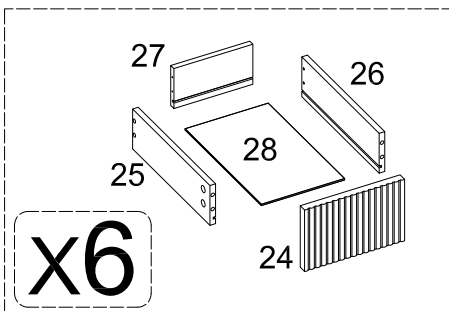
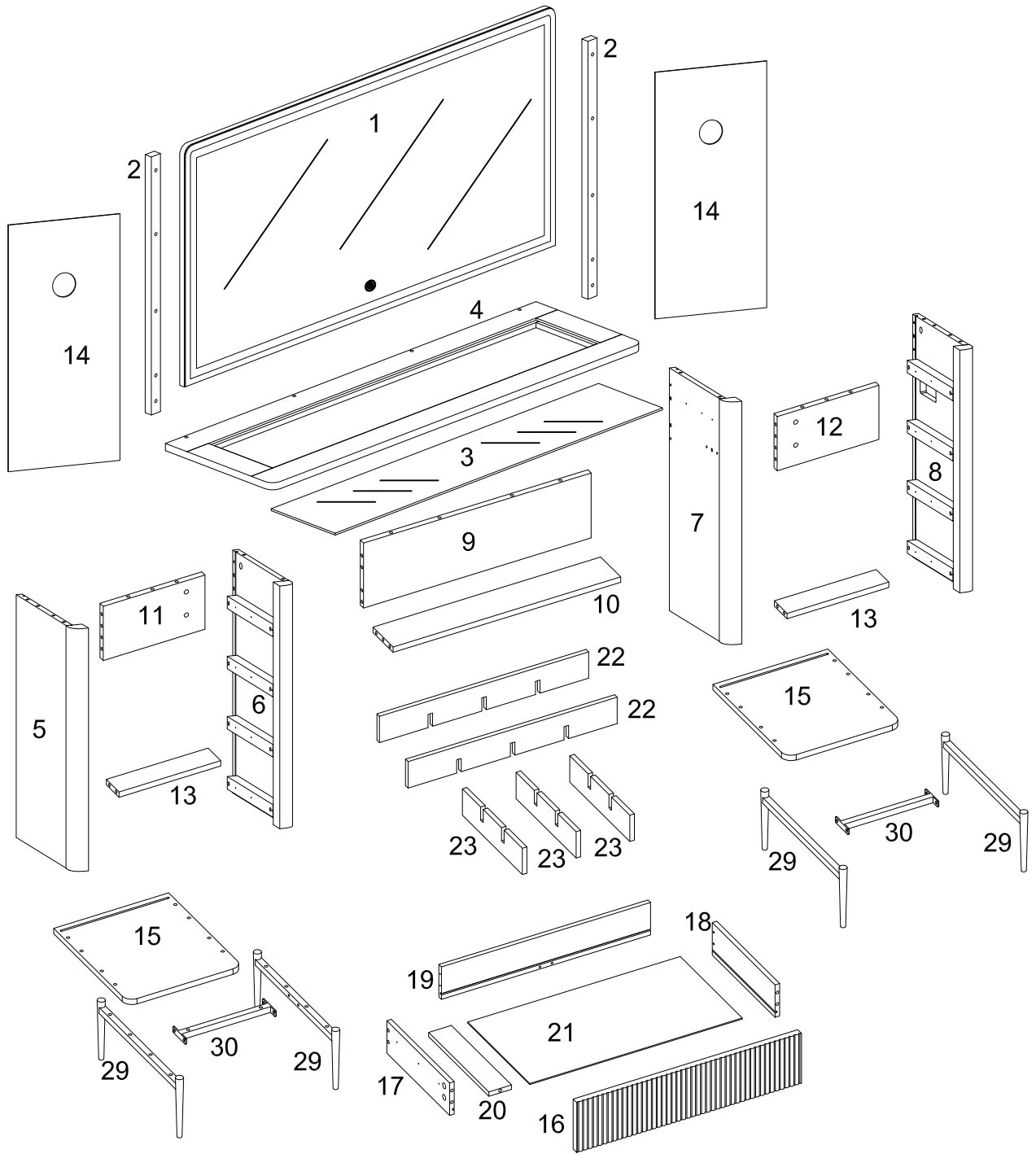
- 1.Screw the Cam Bolt into the pre-drilled hole on the panel. Make sure Cam Bolt goes into the pre-drilled hole on the end of panel for Cam Lock.
- 2.Insert the Cam Lock into the pre-drilled large hole on the panel. Make sure the arrow on the face of Cam Lock points towards Cam Bolt.
- 3.Take a Phillips screwdriver and rotate the Cam Lock clockwise to lock the Cam Bolt.
- 4.Use the sticker to conceal the Cam.




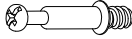




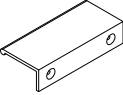
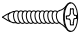
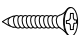
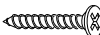


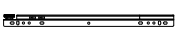



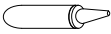
- VII. Power tools should not be used to assemble this product .

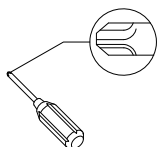


Parts List



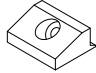
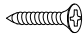


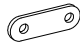
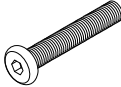

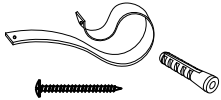


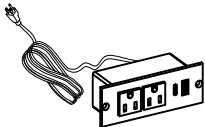
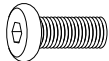
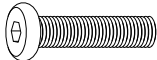
Hardware List

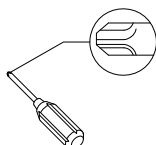
A		Ø8x30mm	Long Dowel	36 pcs
B		Ø6x35mm	Cam Bolt	69 pcs
C		Ø15x12mm	Large Cam Lock	32 pcs
D		Ø15x10mm	Small Cam Lock	37 pcs
E		Ø30mm	Cover	69 pcs
F		Ø8x20mm	Short Dowel	4 pcs
G			Handle	9 pcs
H		Ø3.5x14mm	Screw	18 pcs
I		Ø3.5x12mm	Screw	104 pcs
J		Ø4*38mm	Screw	38 pcs
K		12"	Left Glide Track	8 pcs
L		12"	Right Glide Track	8 pcs
M		12"	Left Glide Runner	8 pcs
N		12"	Right Glide Runner	8 pcs
O		Ø3x12mm	Screw	12 pcs
P		12"	Drawer Slider	1 set
Q			Glue Tube	1 pc



Philips head screwdriver required for assembly
(not included)

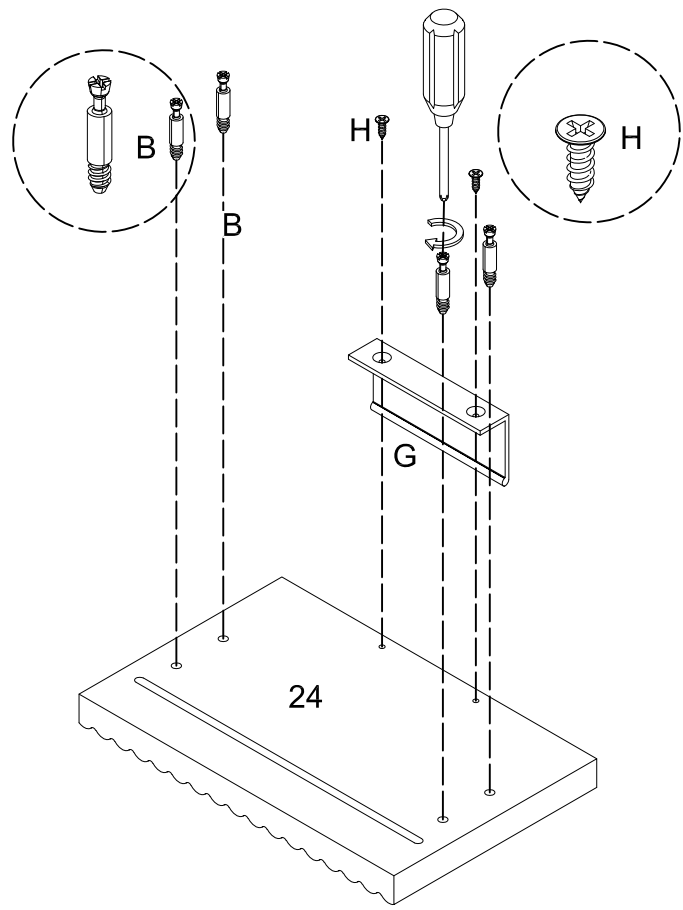
Hardware List

R			Plastic Wedge	10 pcs
S		Ø3x17mm	Flat-head Screw	10 pcs
T		Ø6x50mm	Screw	8 pcs
U		M4	Allen Wrench	1 pc
V			Metal Plate	3 pcs
W		1/4"x30mm	Bolt	10 pcs
X		Ø4x12mm	Screw	4 pcs
Y			Tipping Restraint Hardware	2 sets
Z			Power Plug	1 pc
AA			Power Plug	1 pc
BB			USB Interface	1 pc
CC		1/4"x15mm	Bolt	8 pcs
DD		1/4"x25mm	Bolt	20 pcs



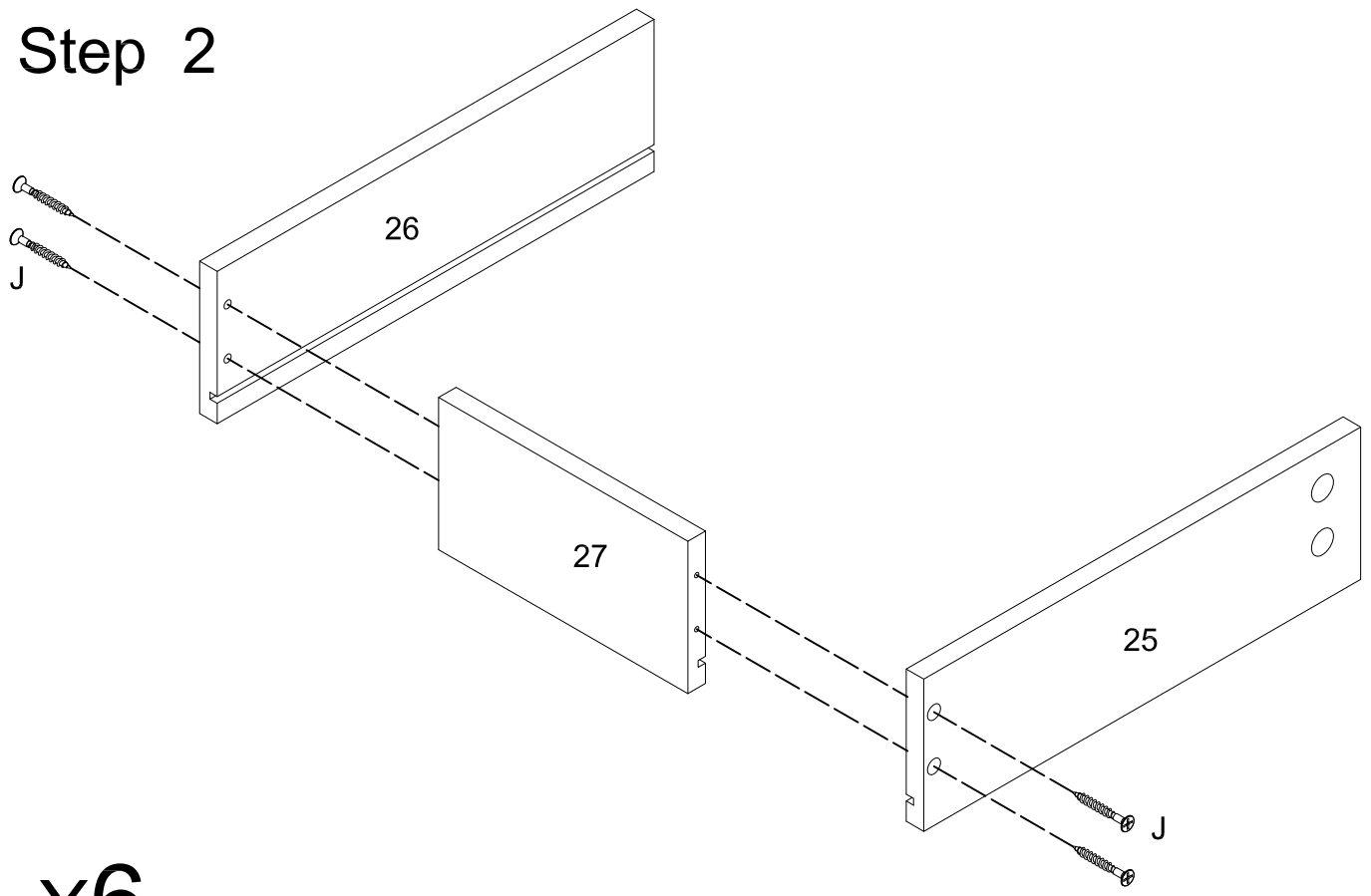
Philips head screwdriver required for assembly
(not included)

Step 1



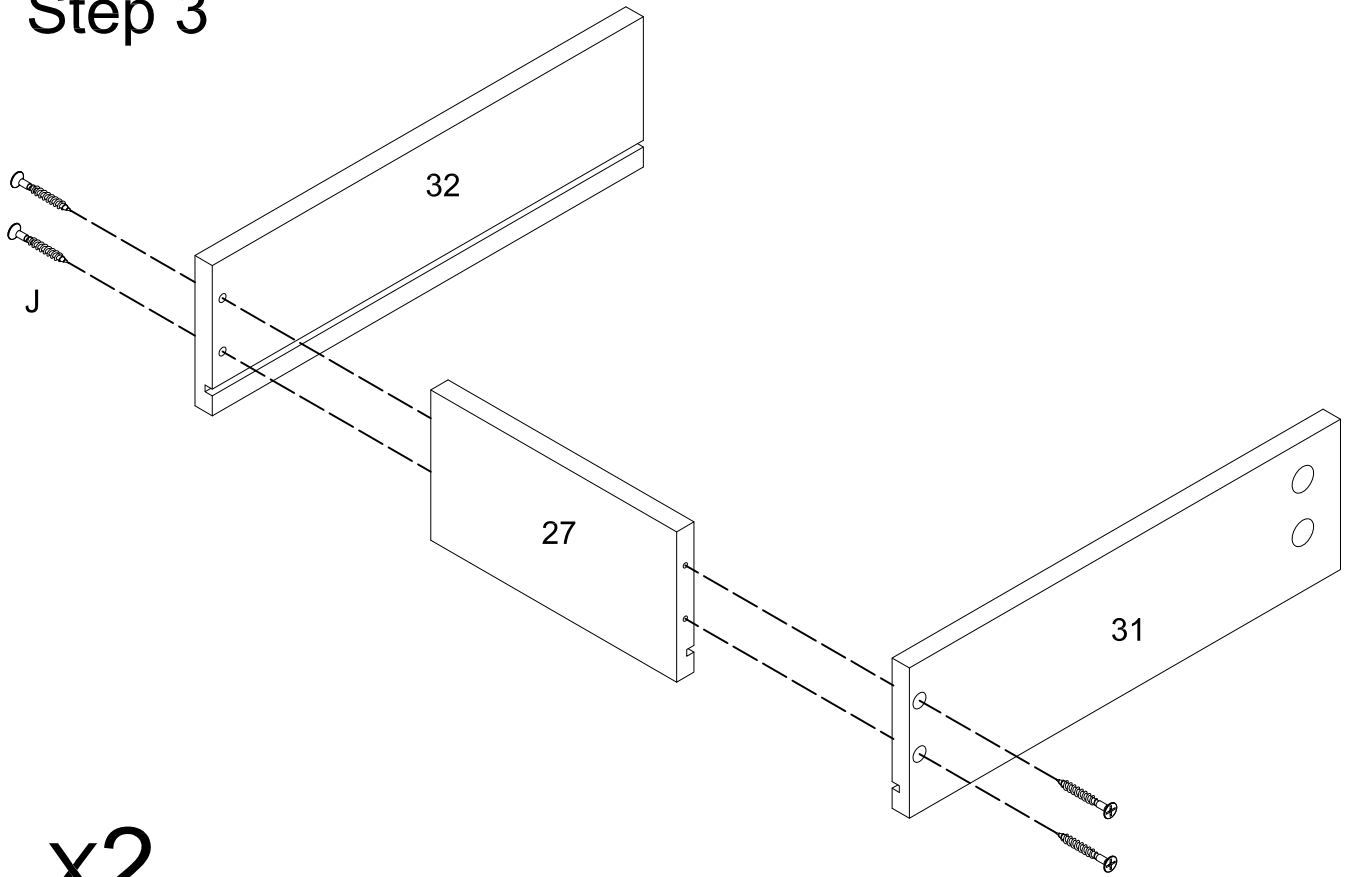
x8

Step 2



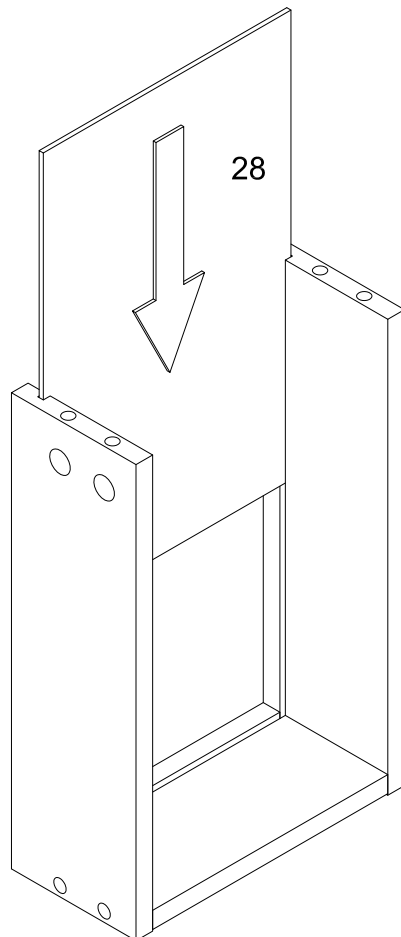
x6

Step 3



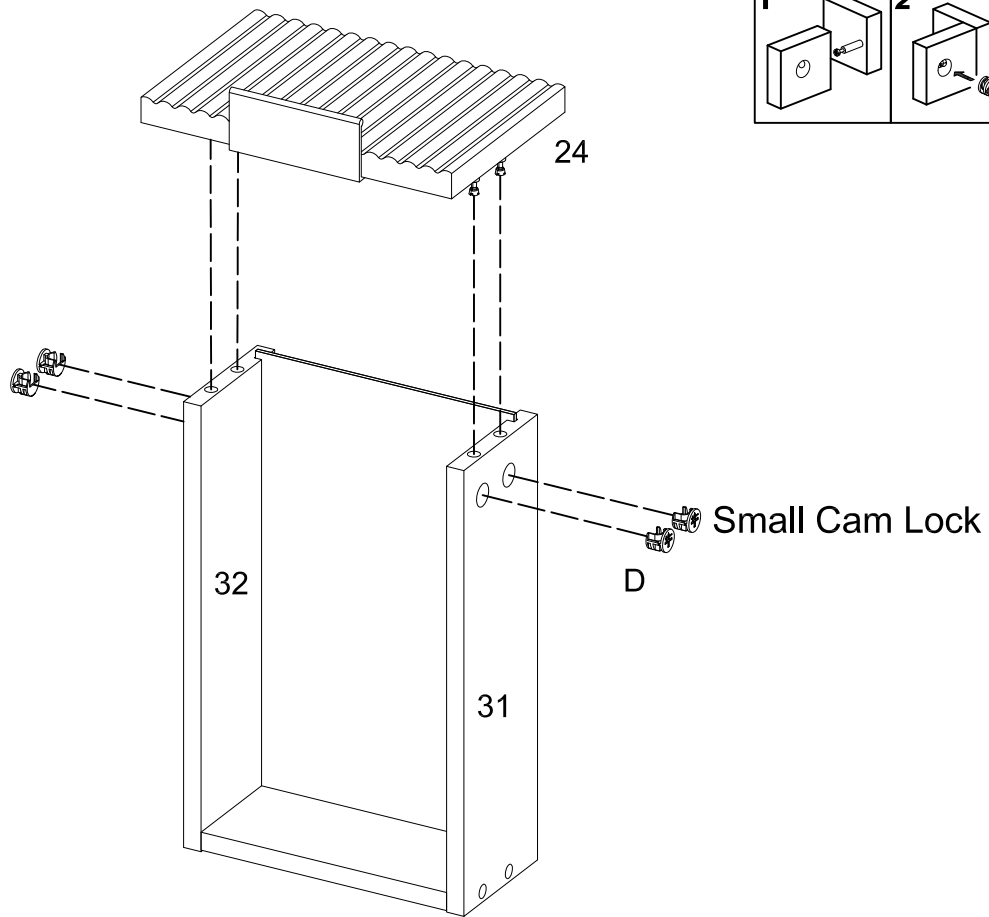
x2

Step 4

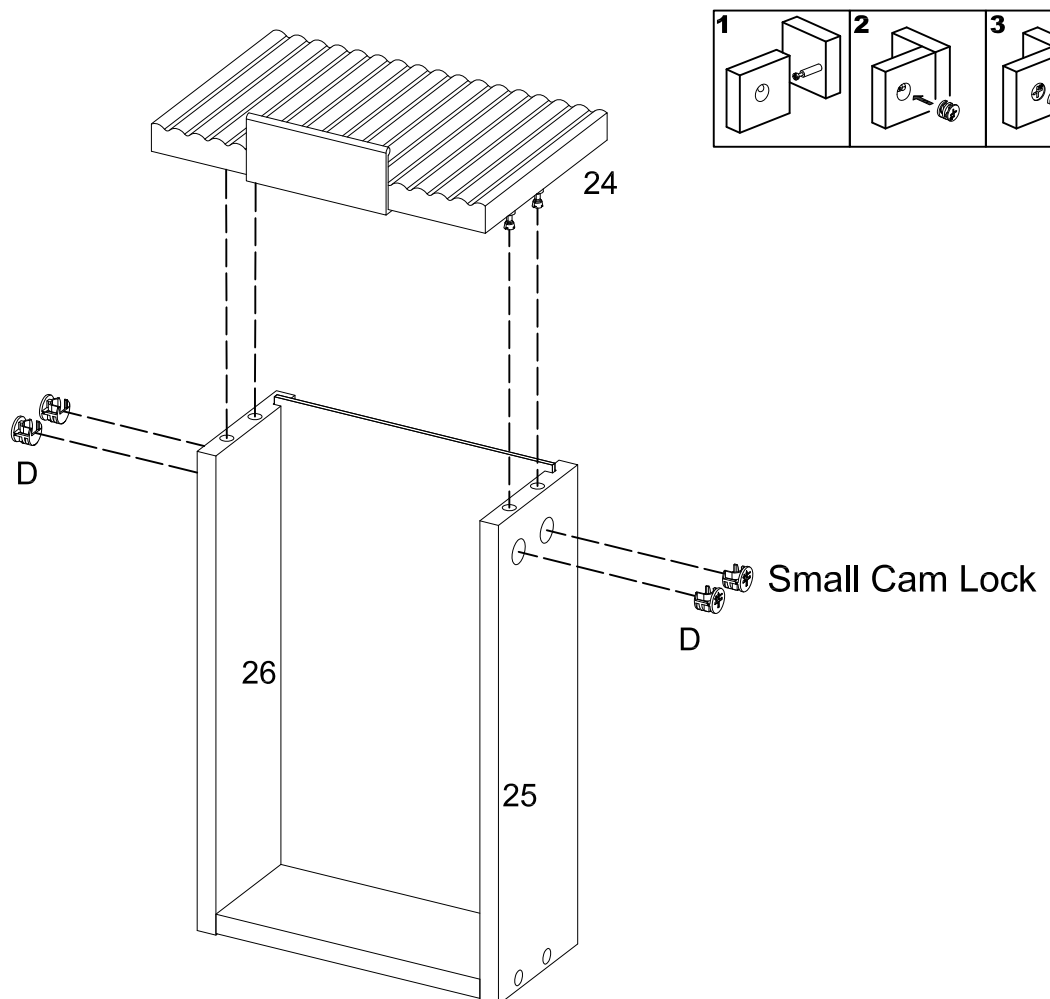


x8

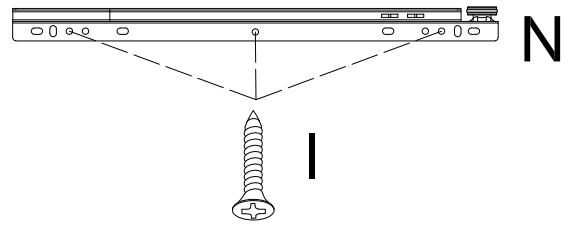
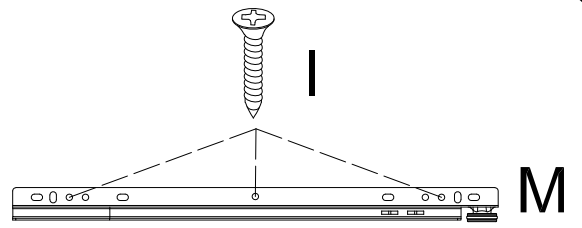
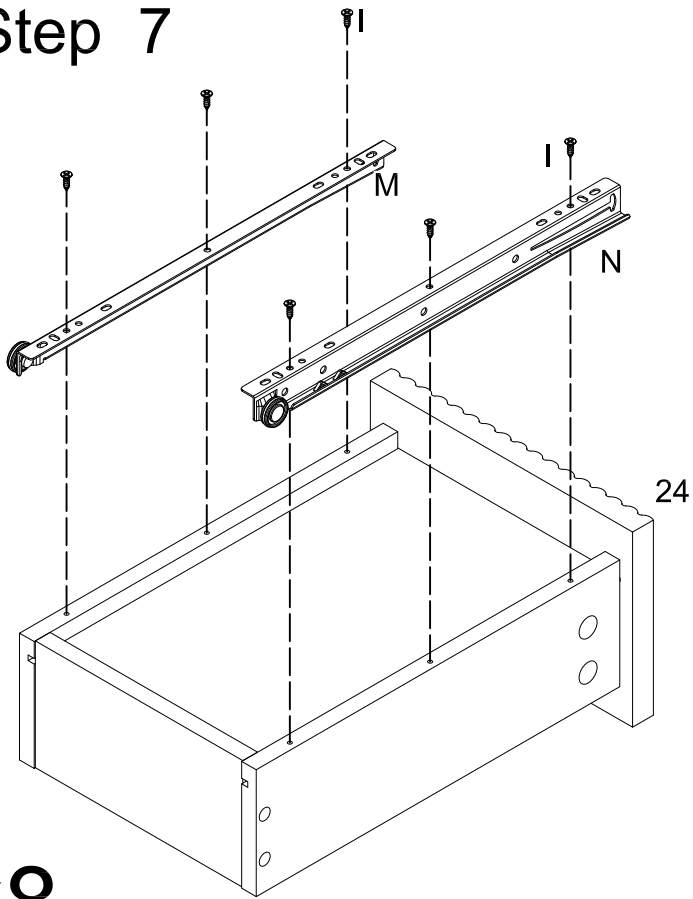
Step 5



Step 6

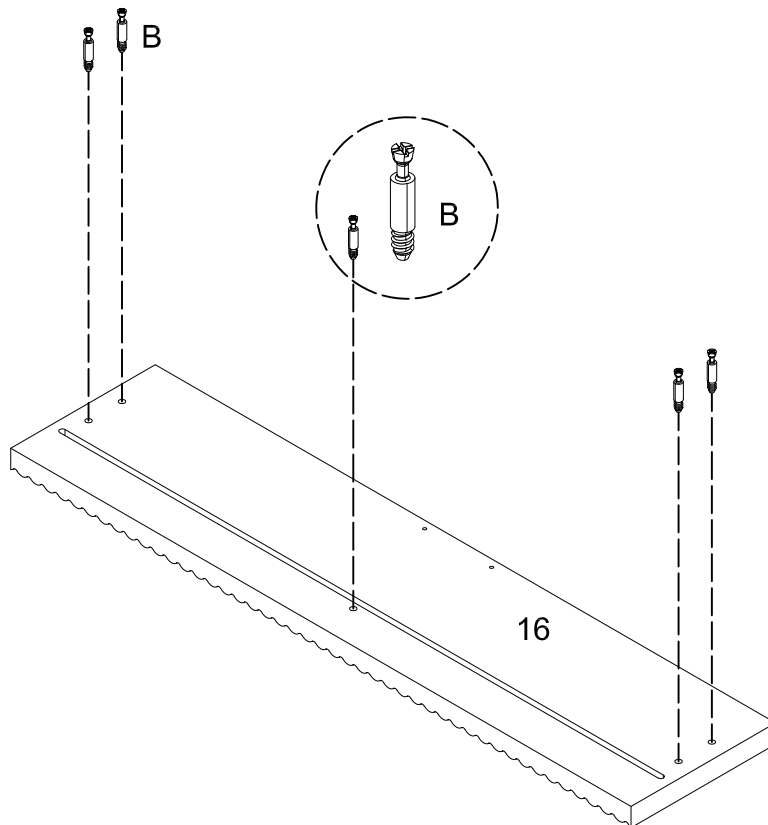


Step 7

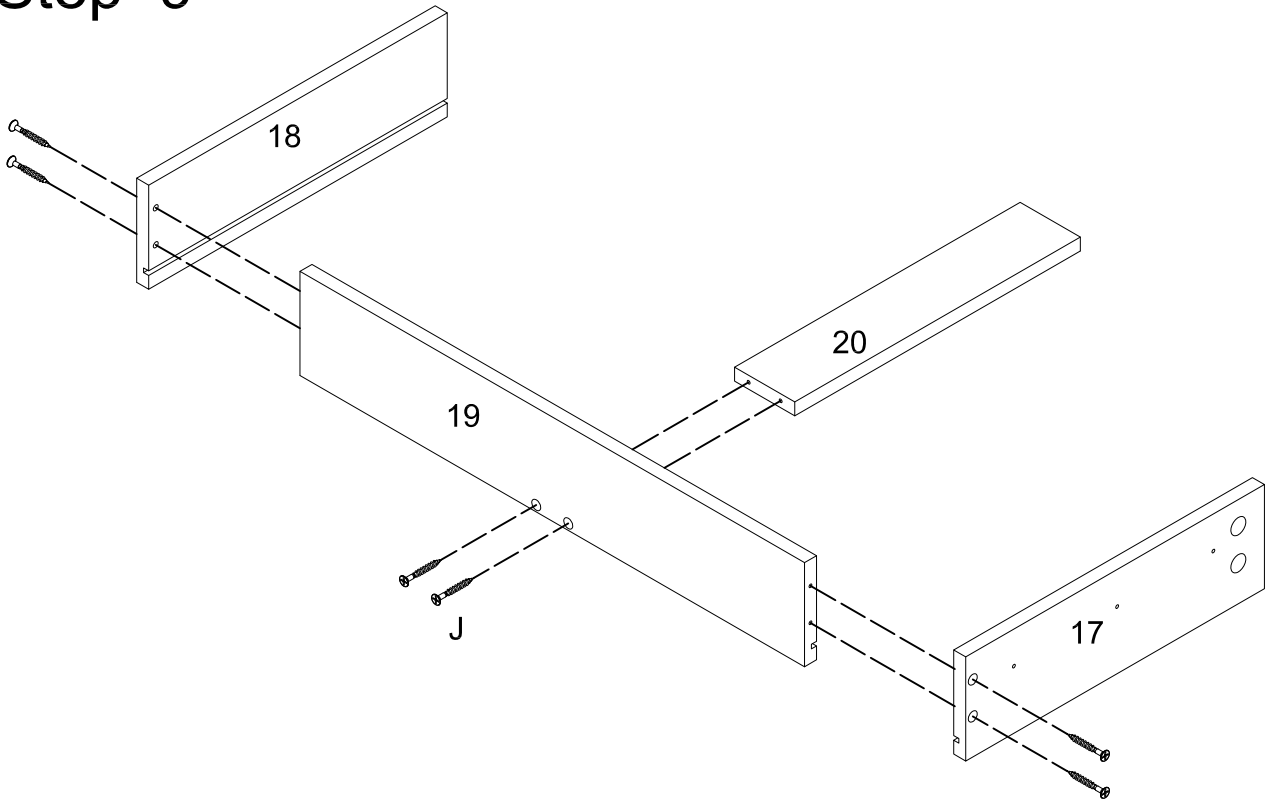


x8

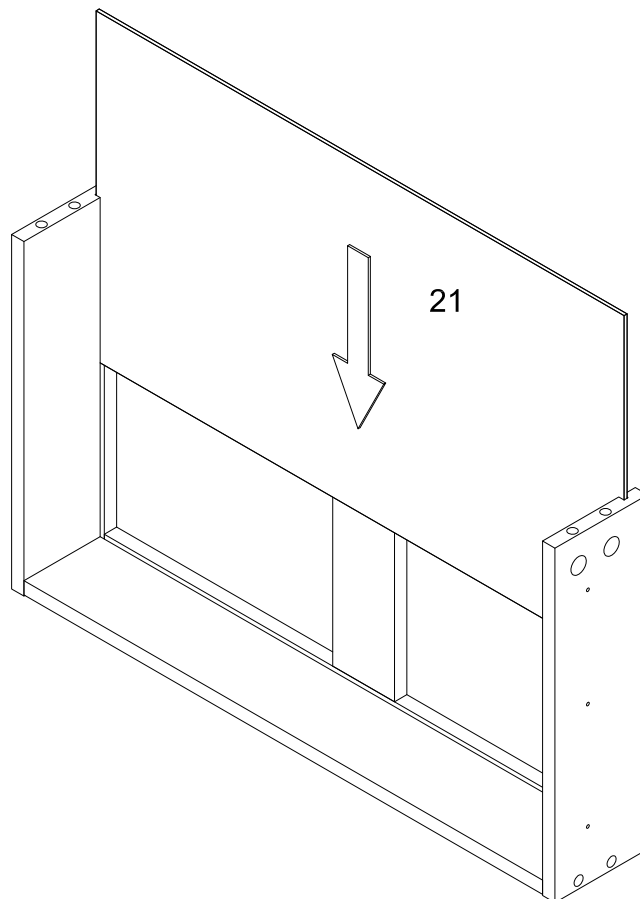
Step 8



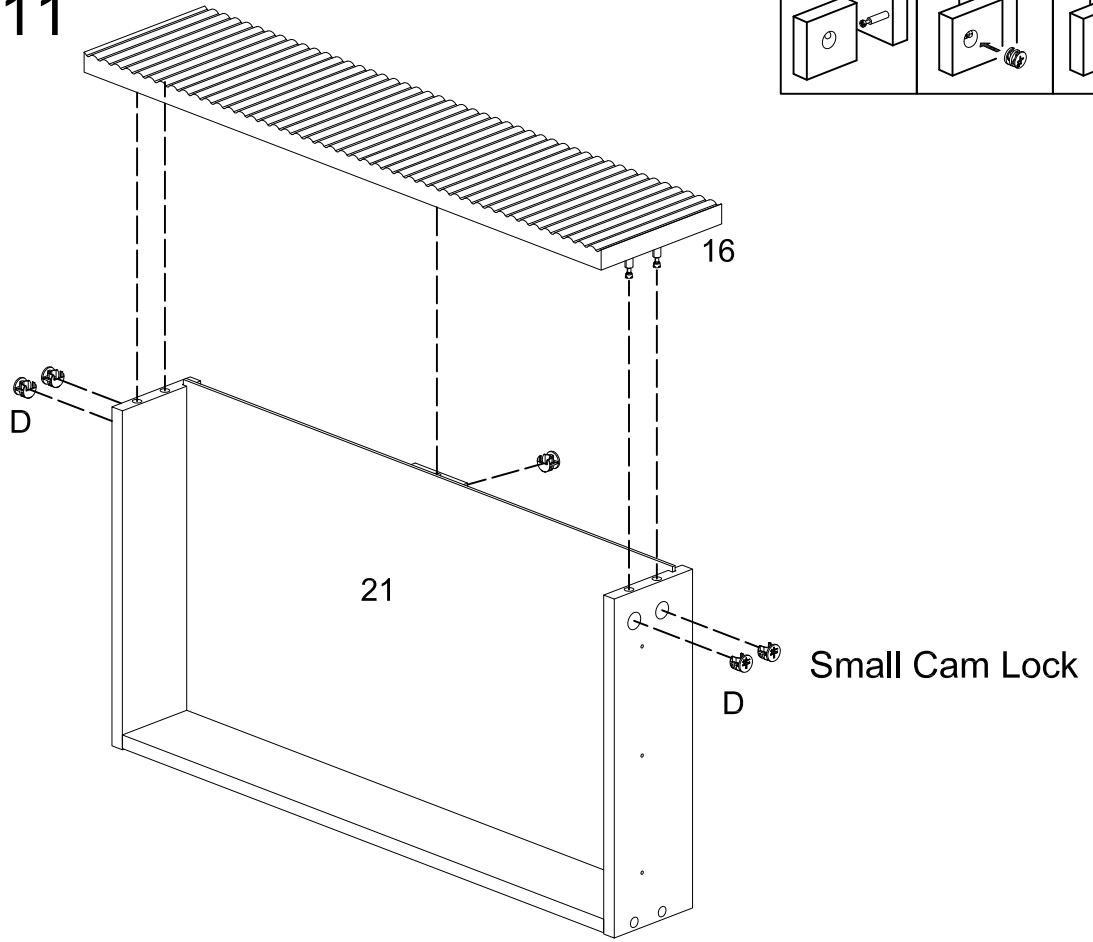
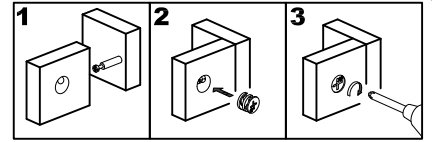
Step 9



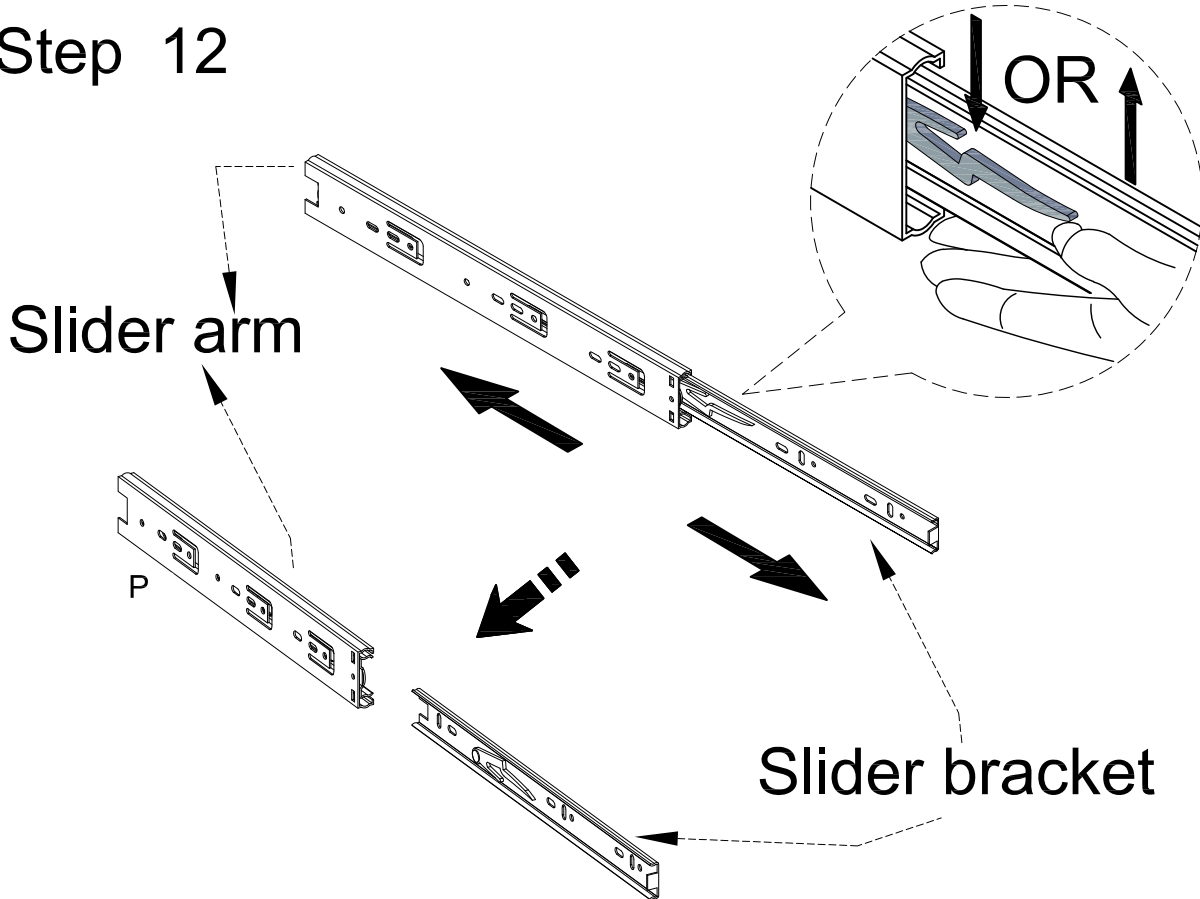
Step 10



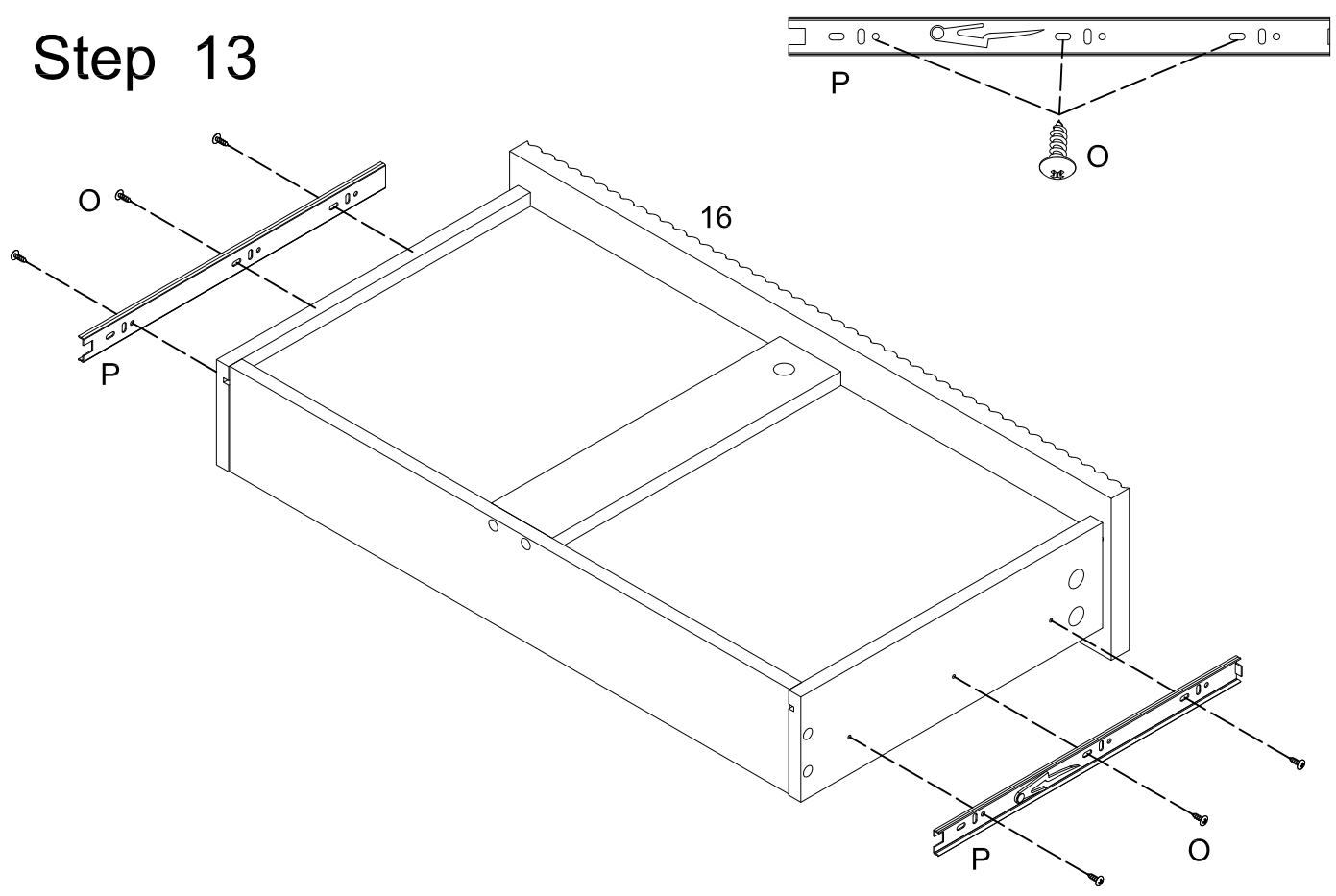
Step 11



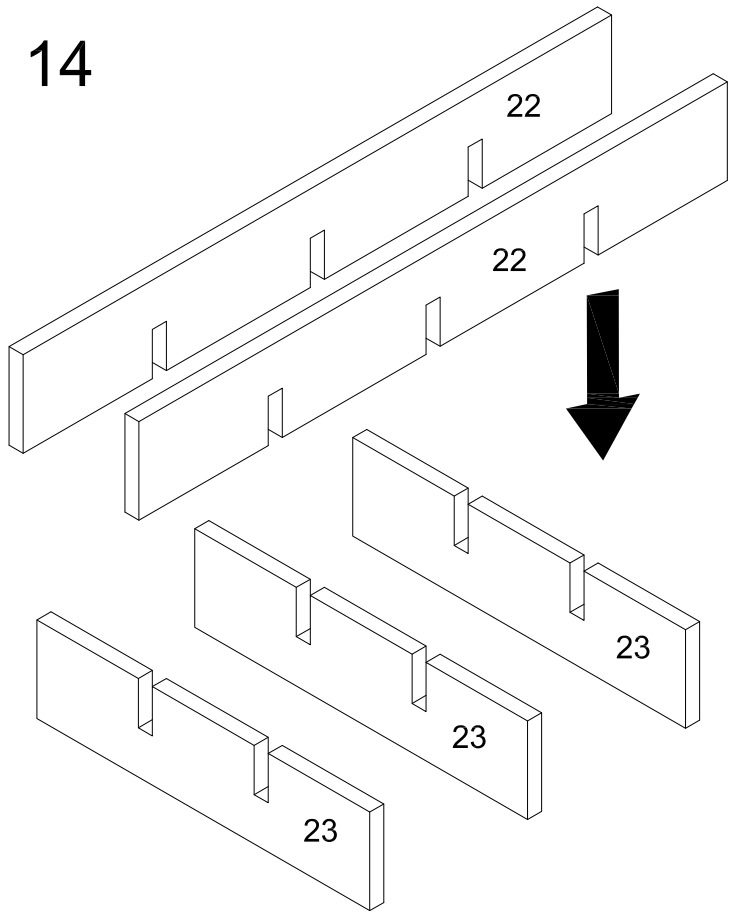
Step 12



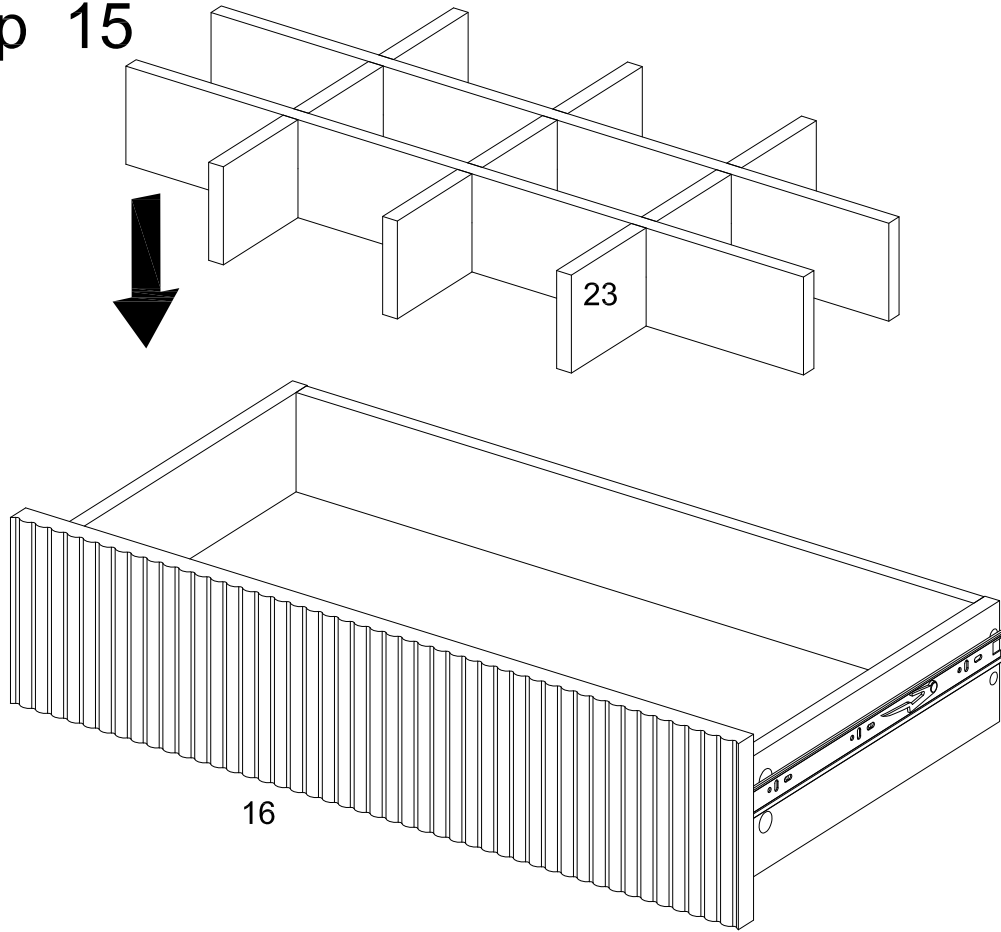
Step 13



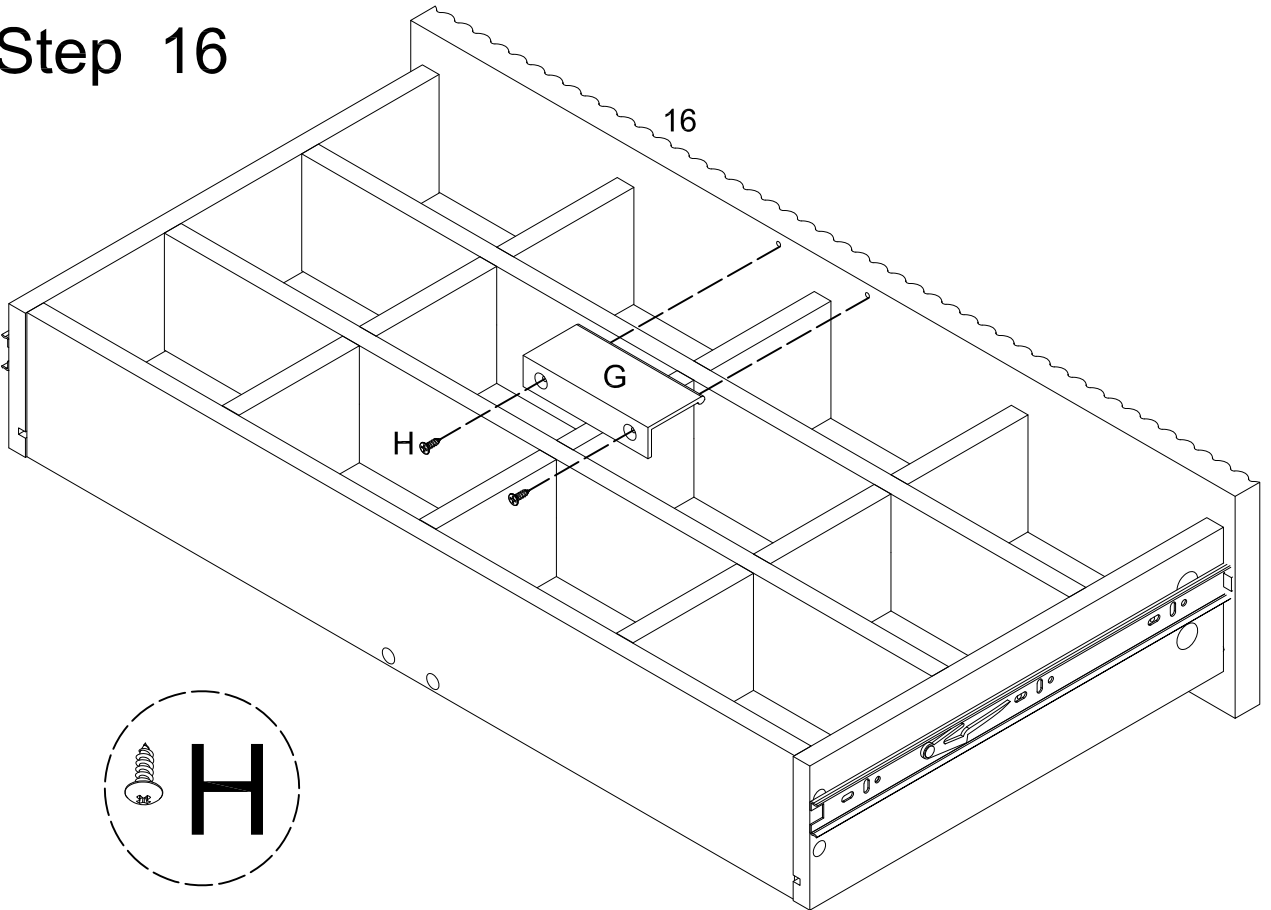
Step 14



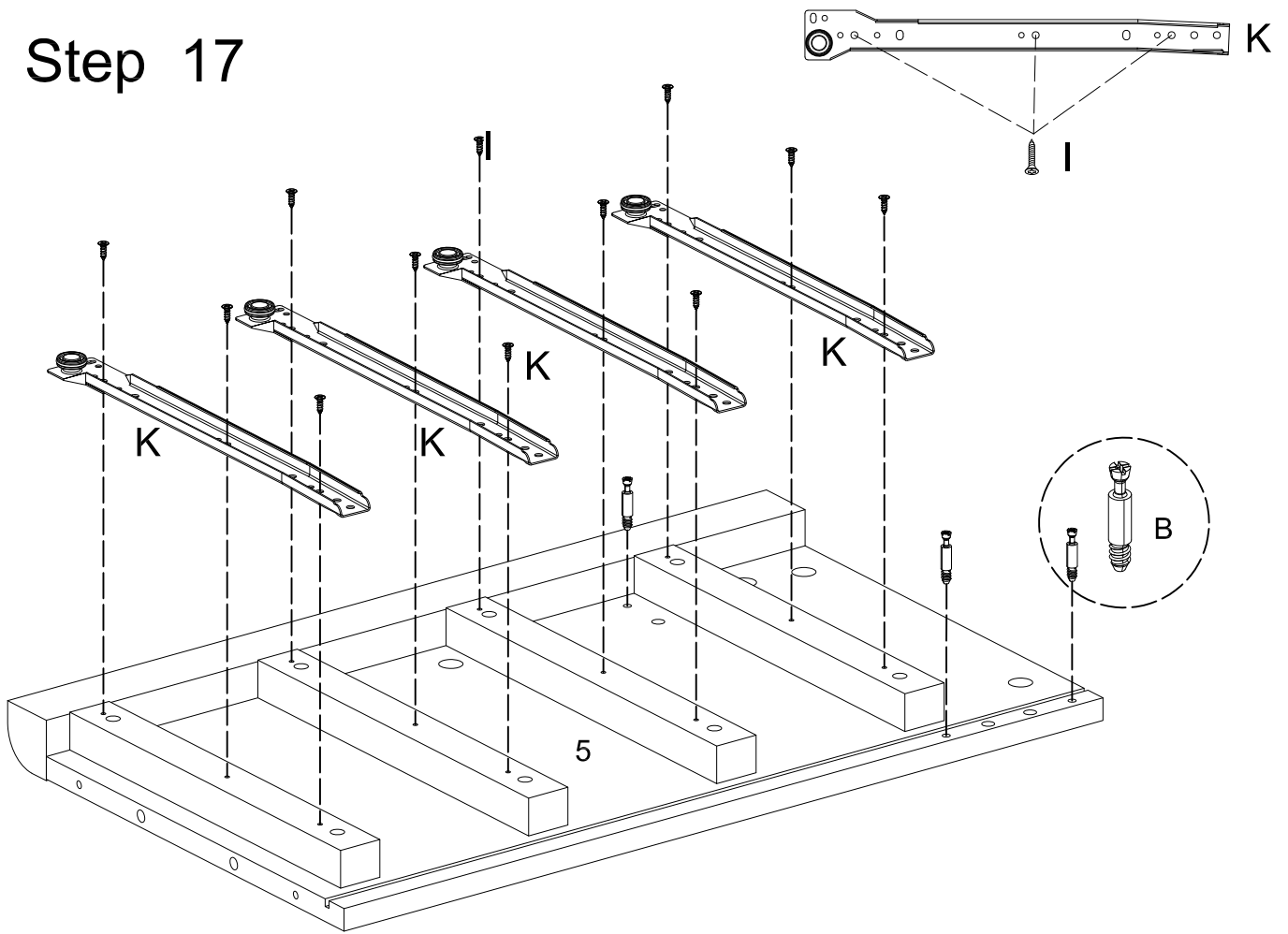
Step 15



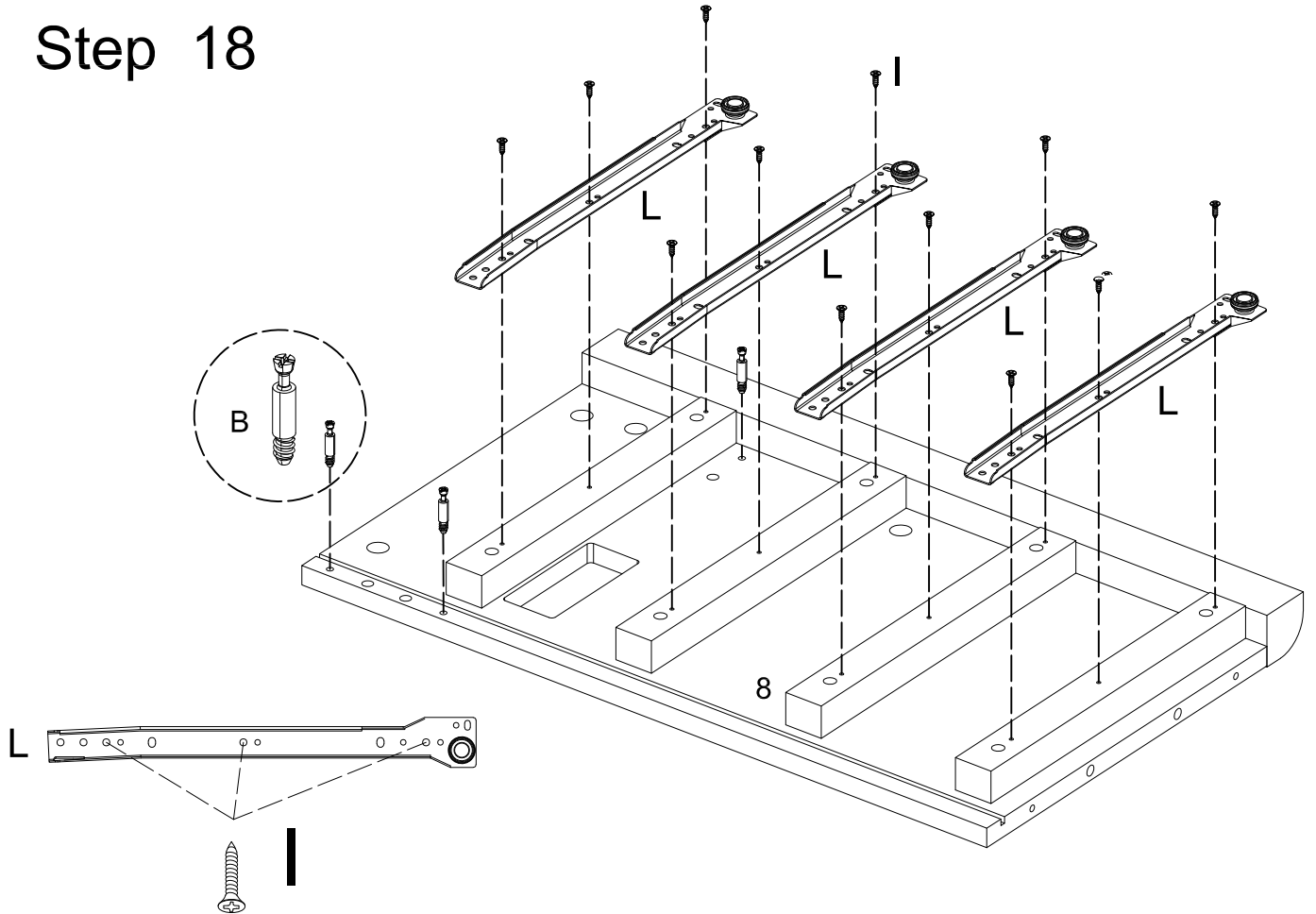
Step 16



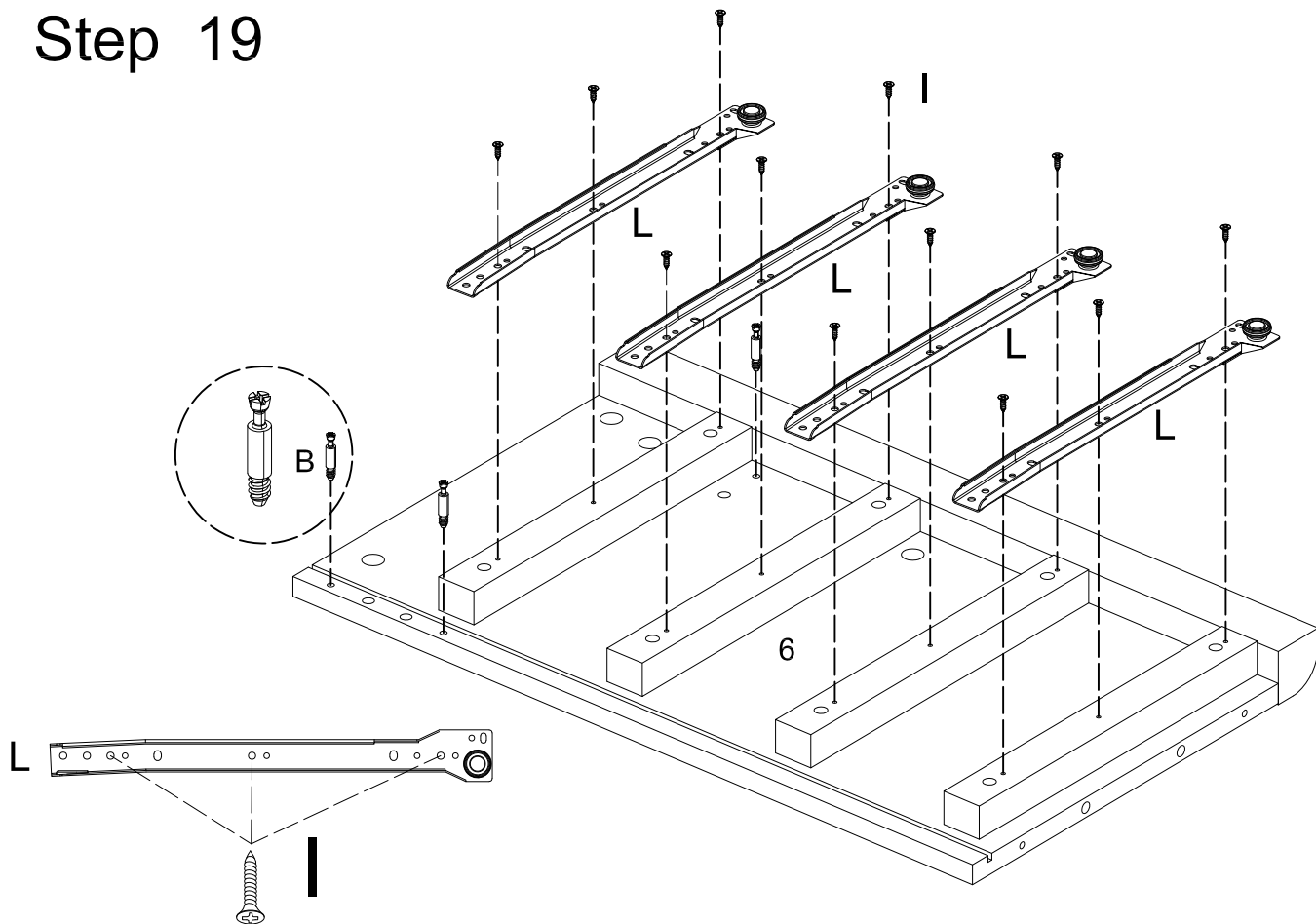
Step 17



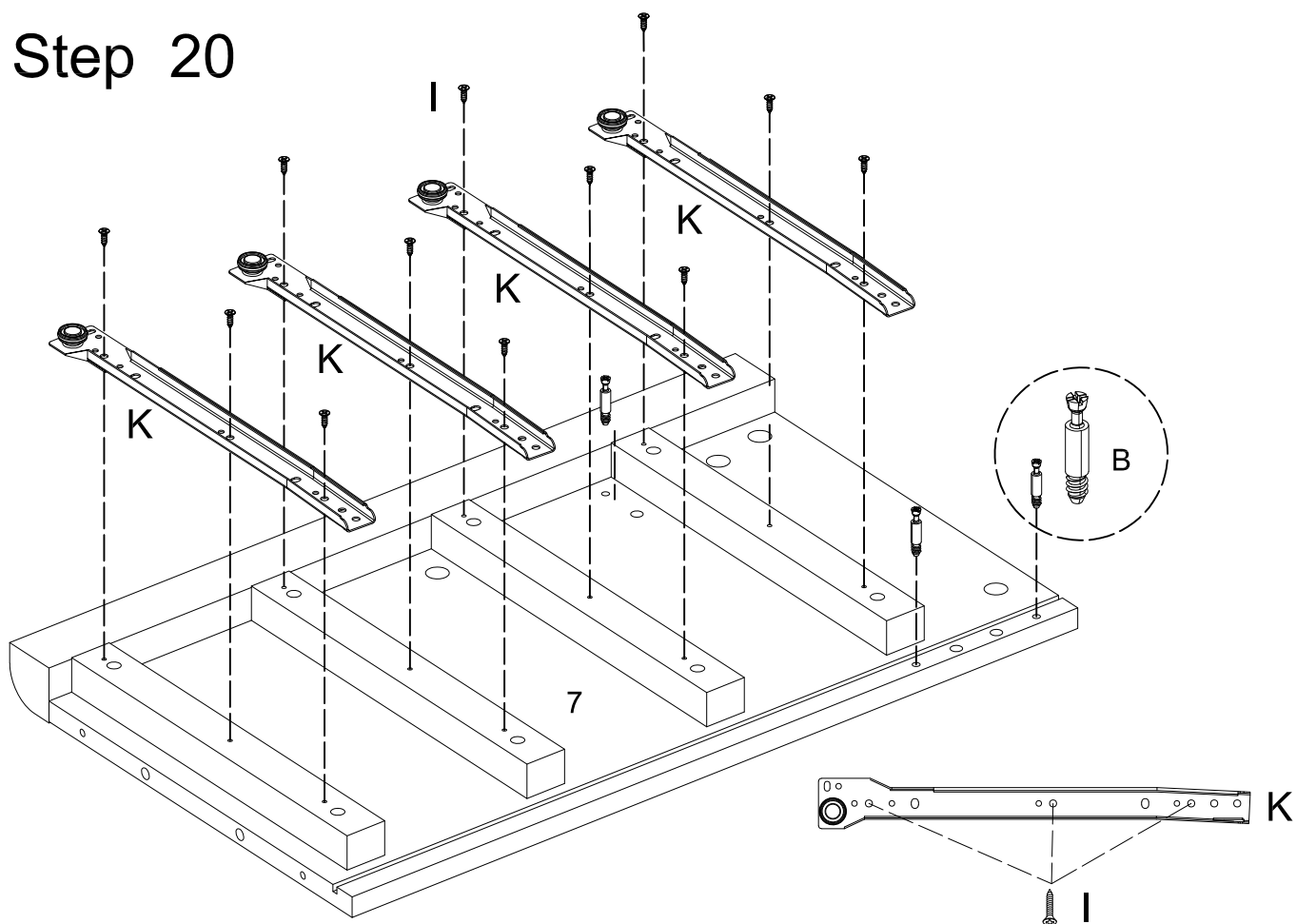
Step 18



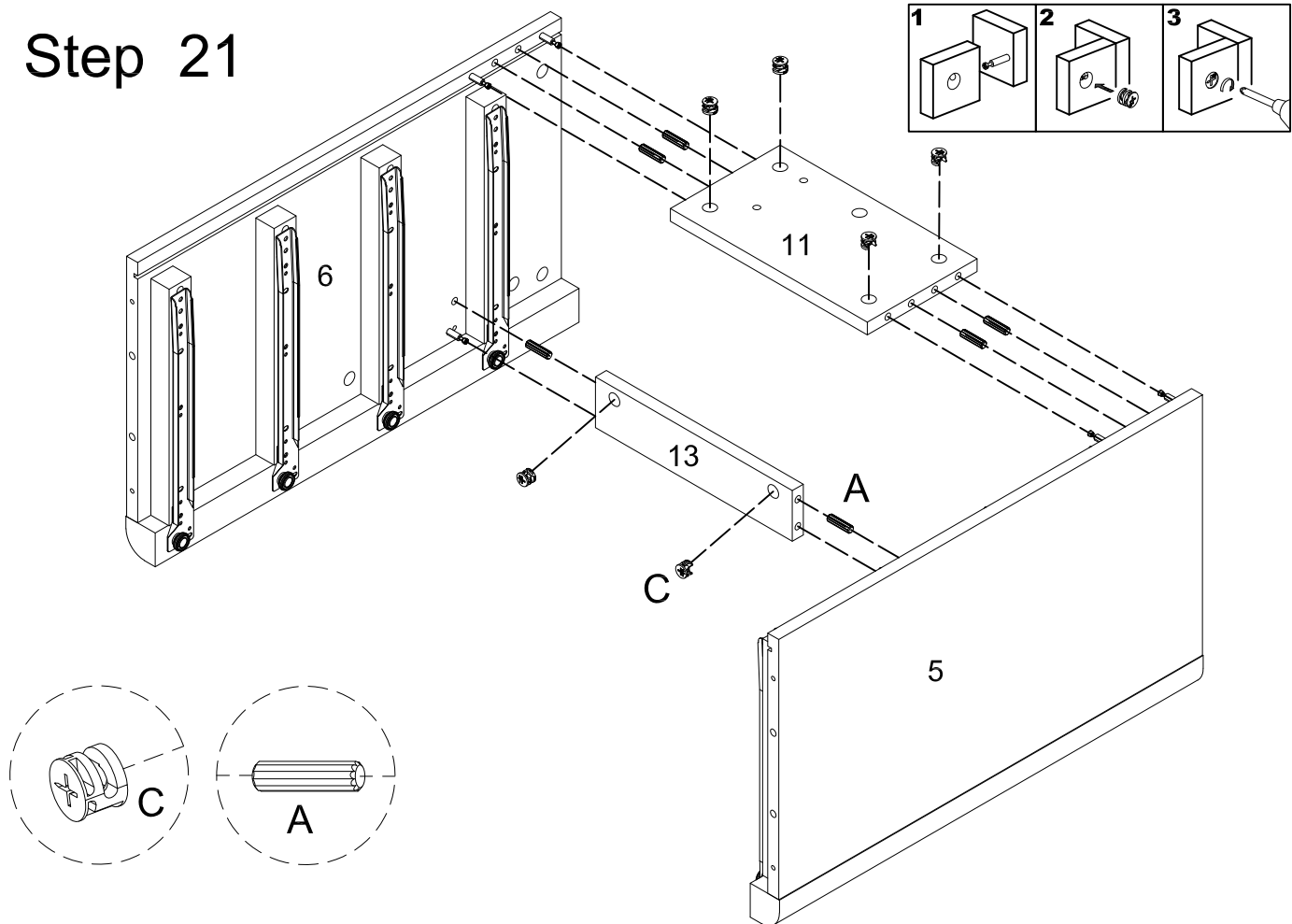
Step 19



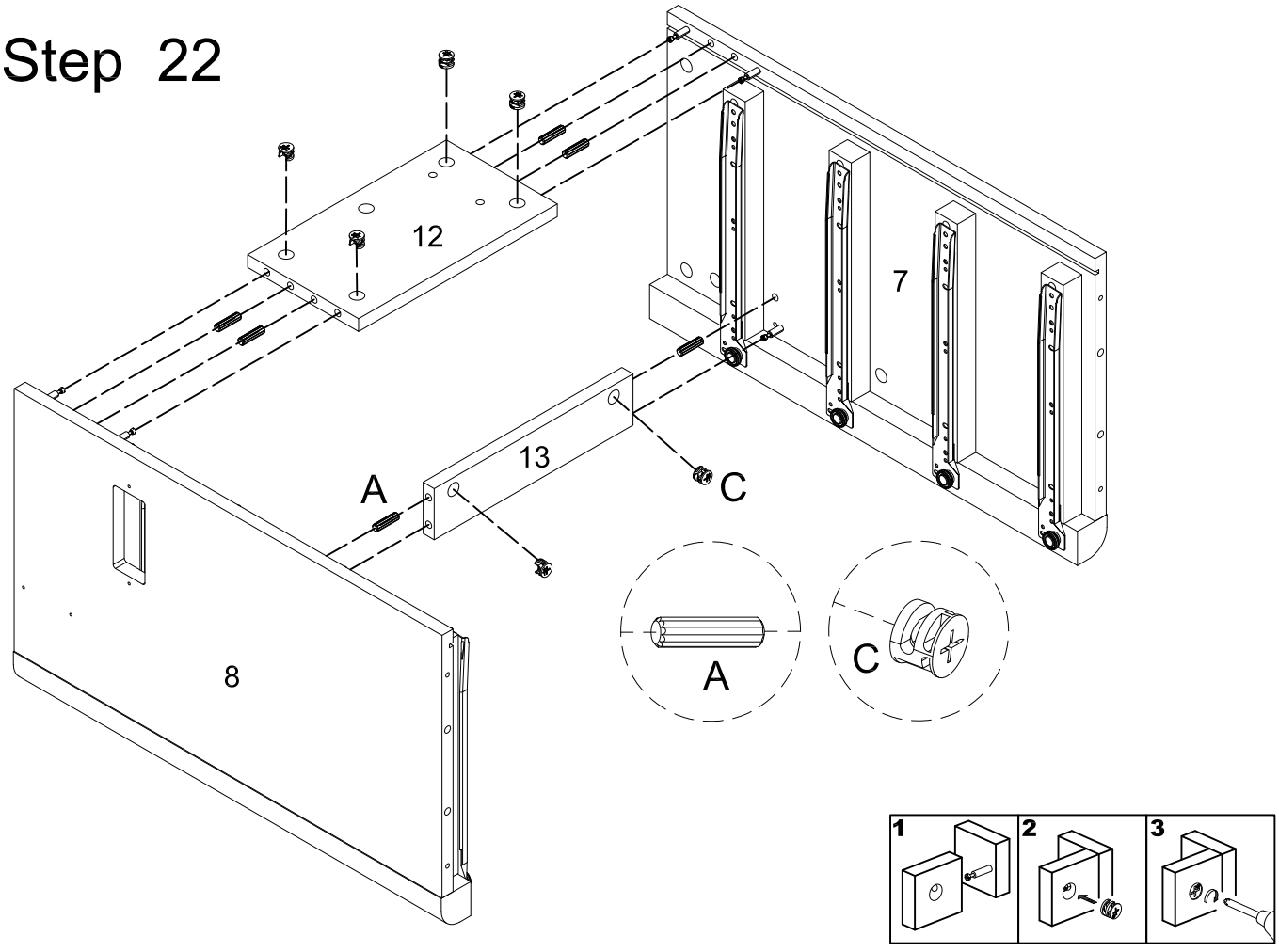
Step 20



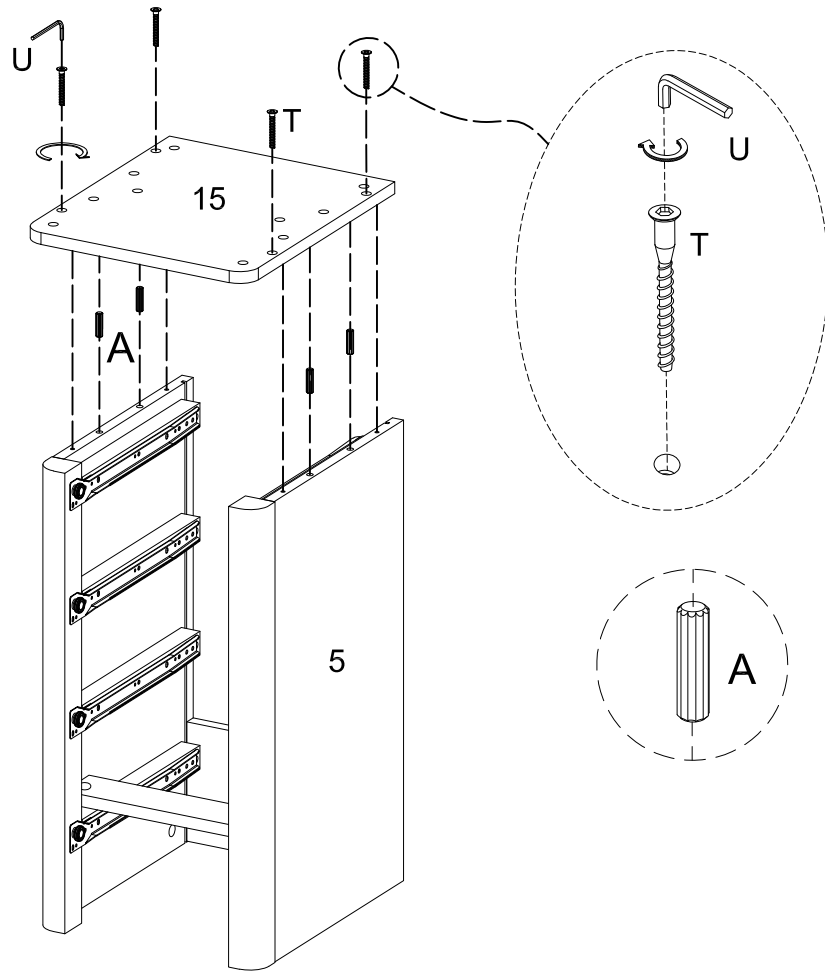
Step 21



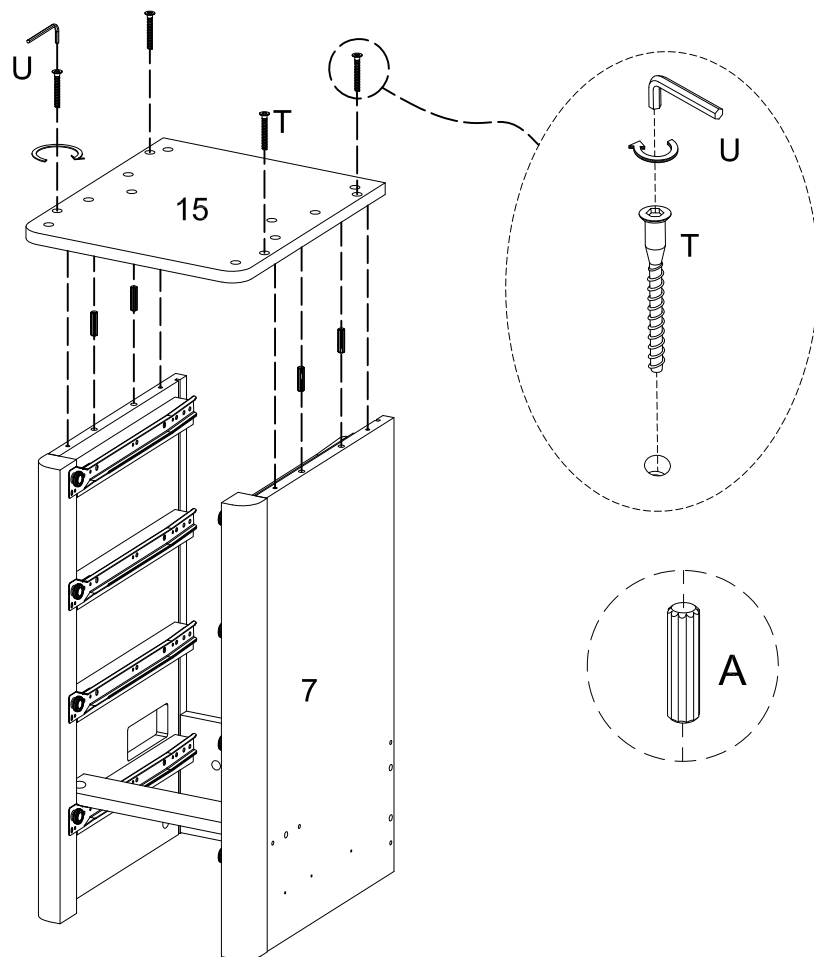
Step 22



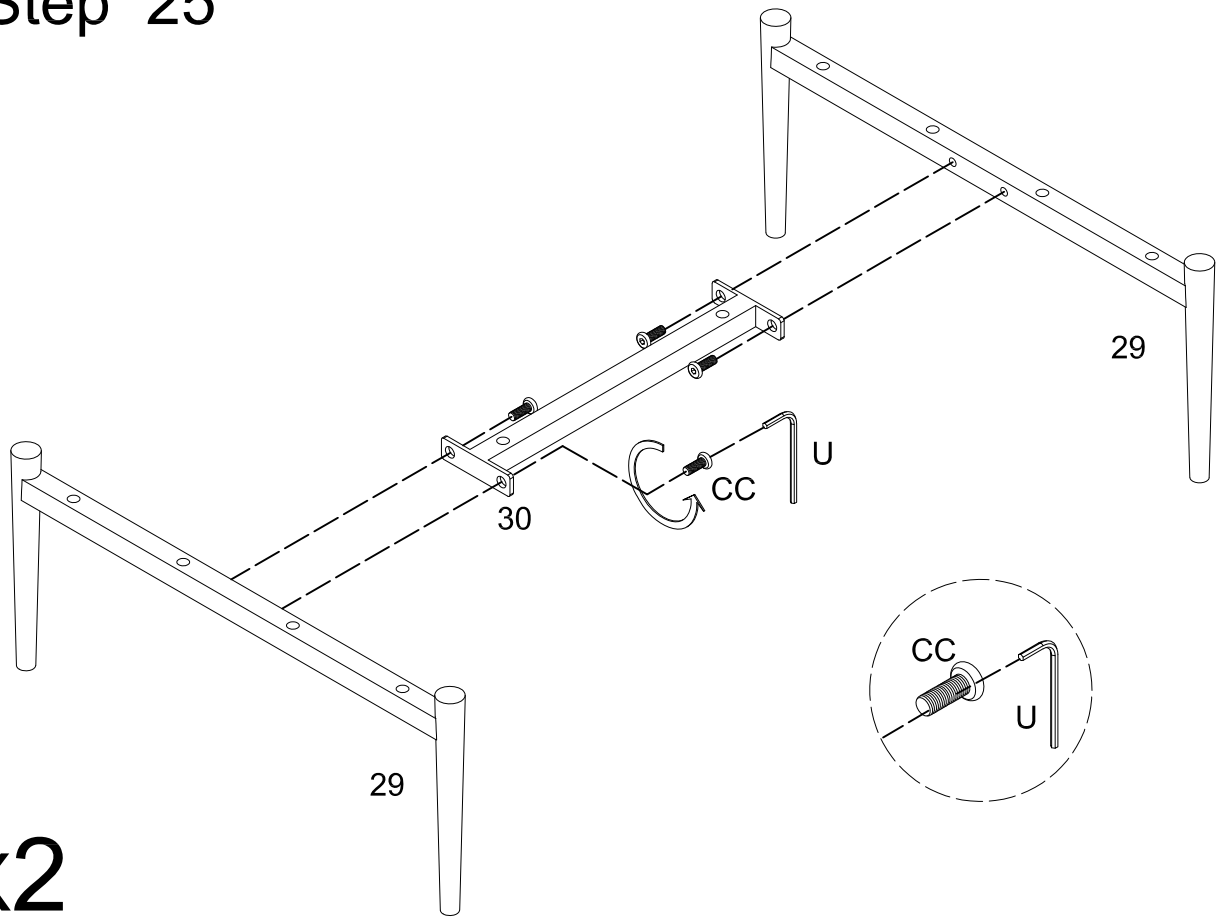
Step 23



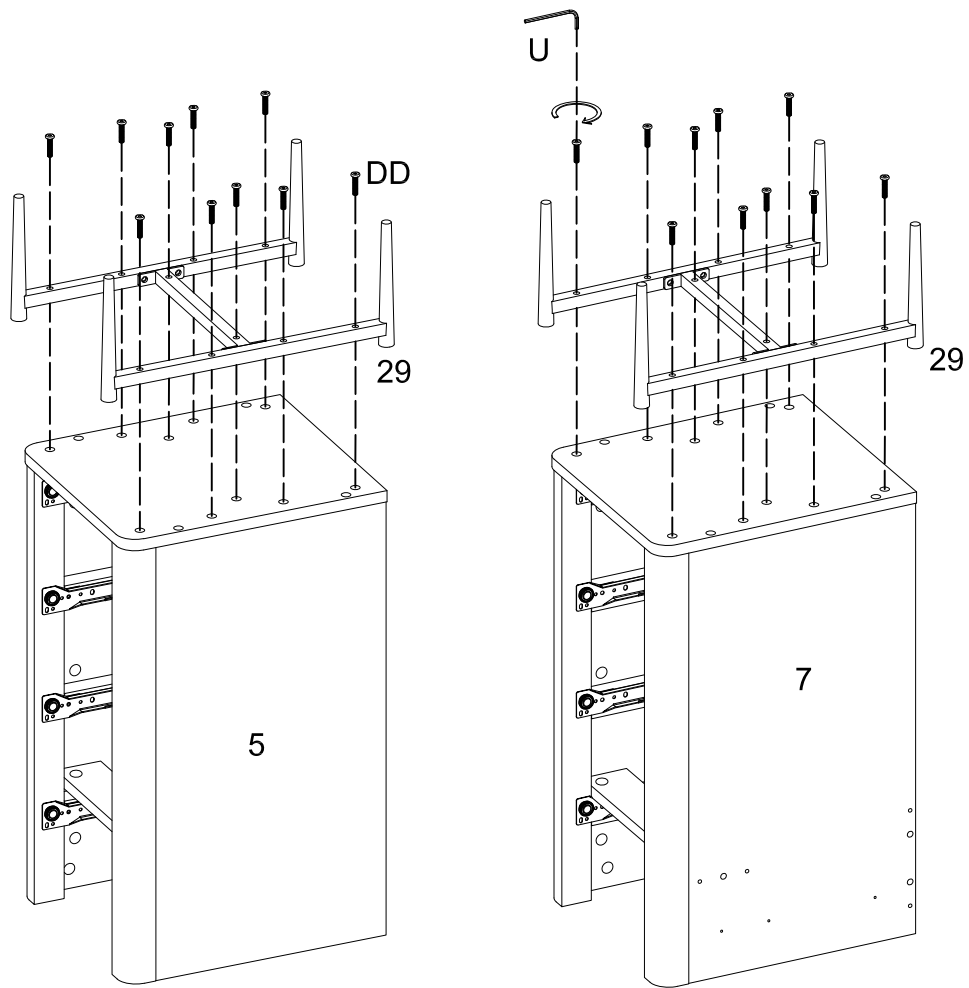
Step 24



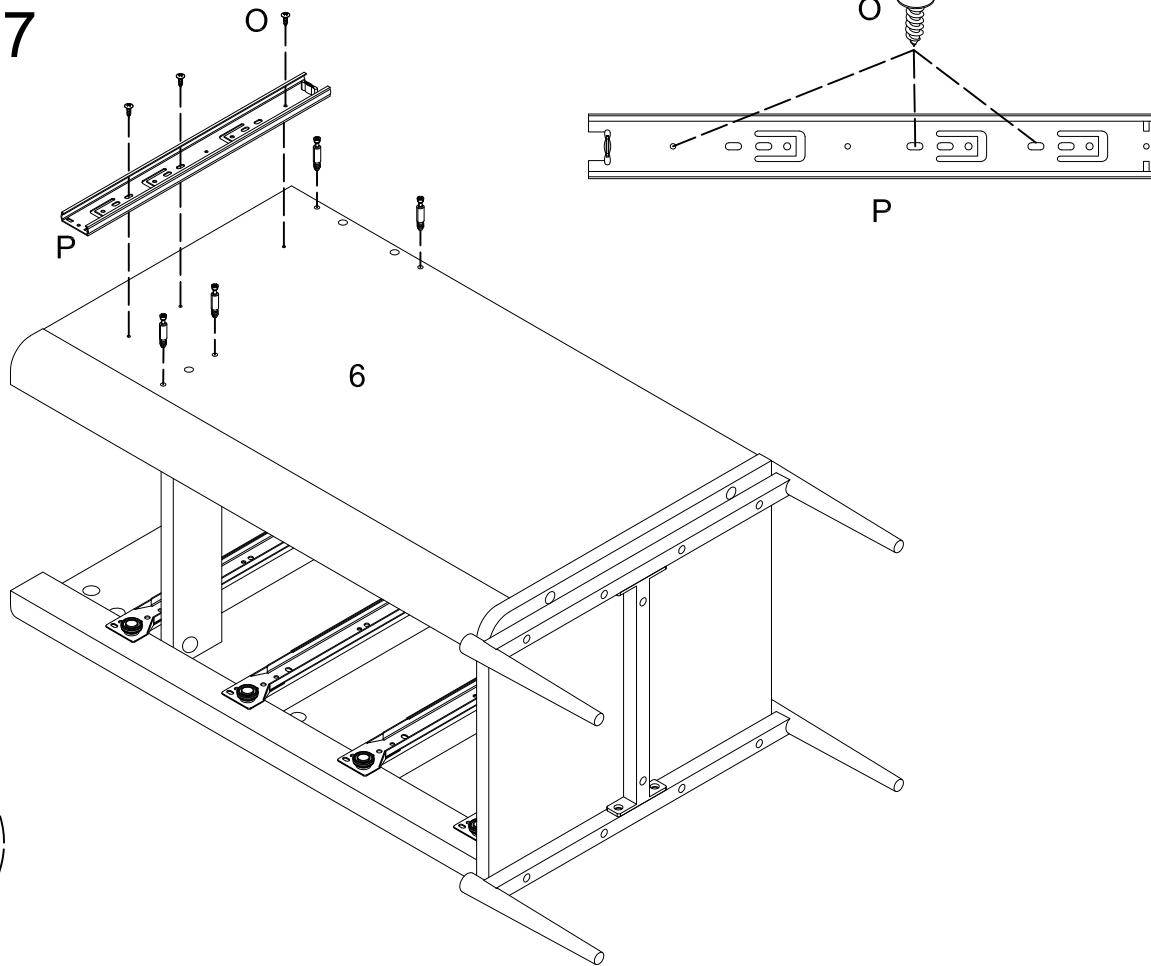
Step 25



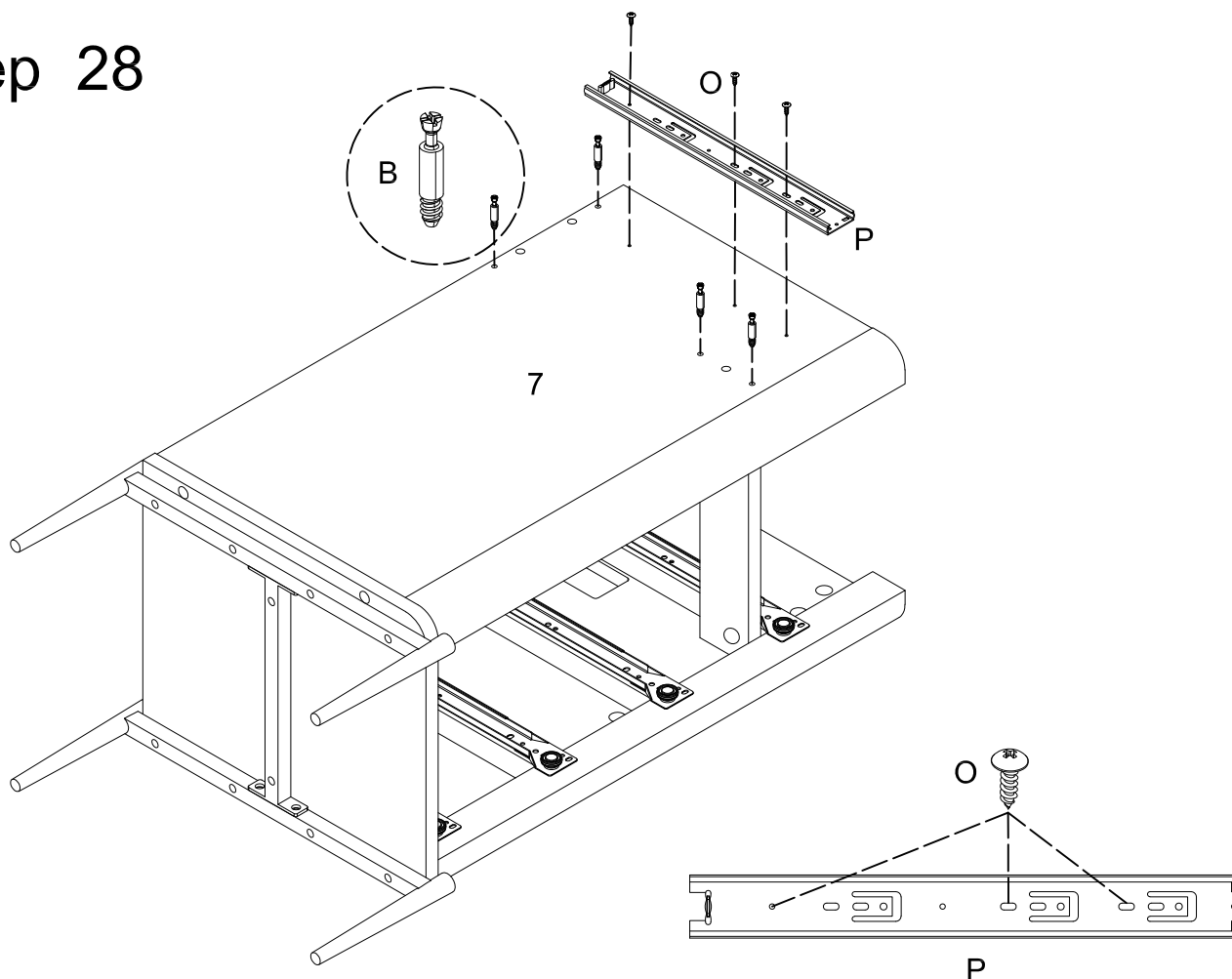
Step 26



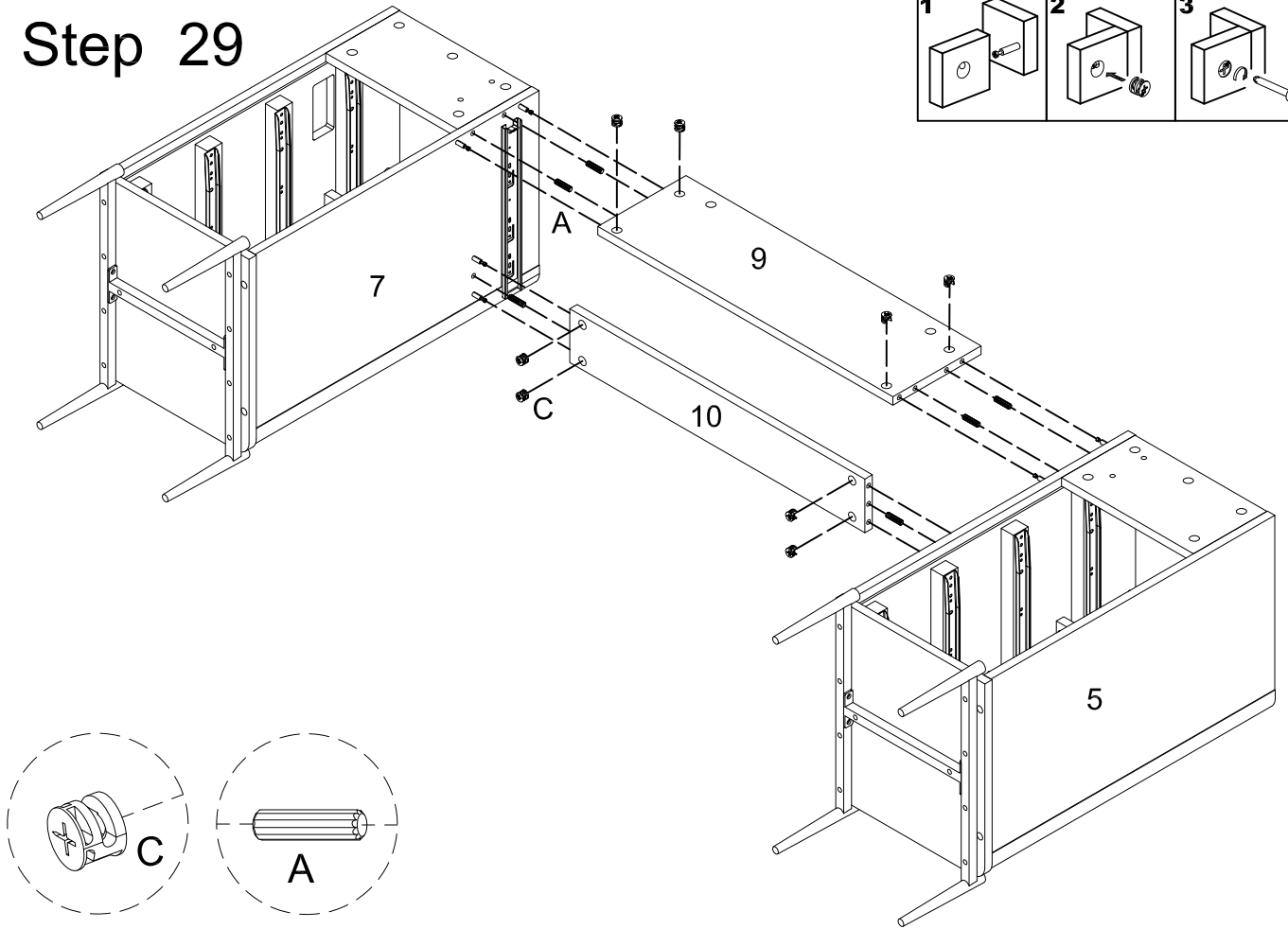
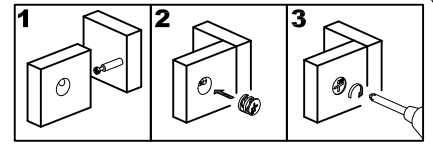
Step 27



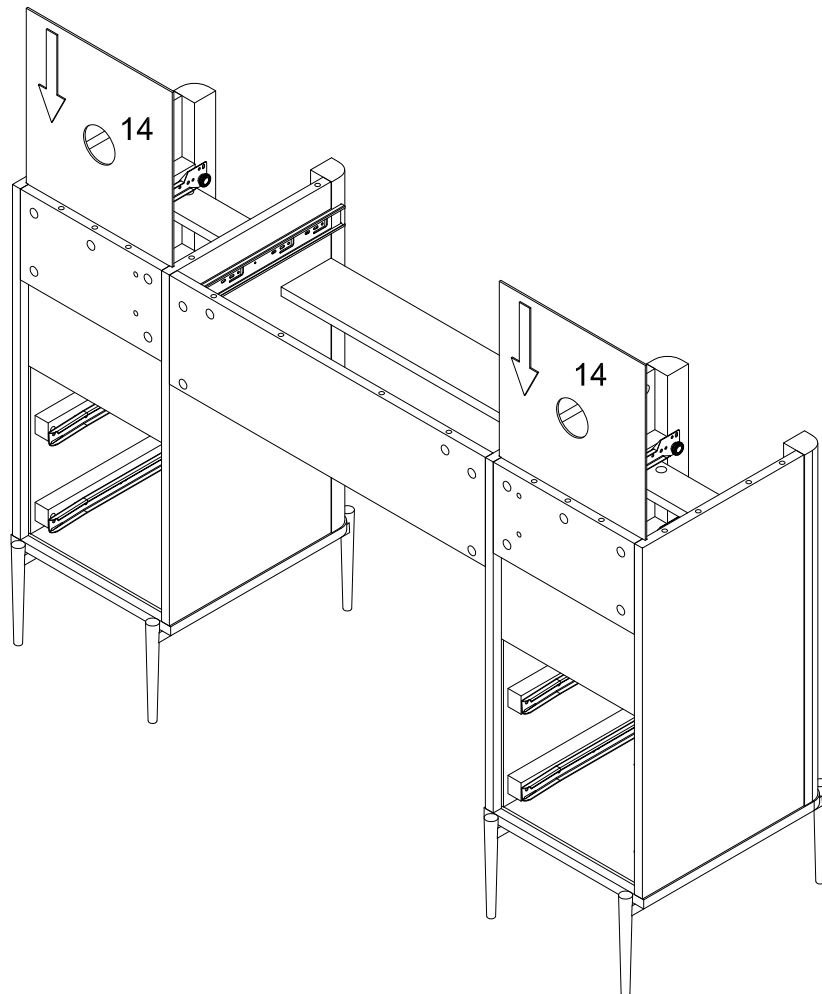
Step 28



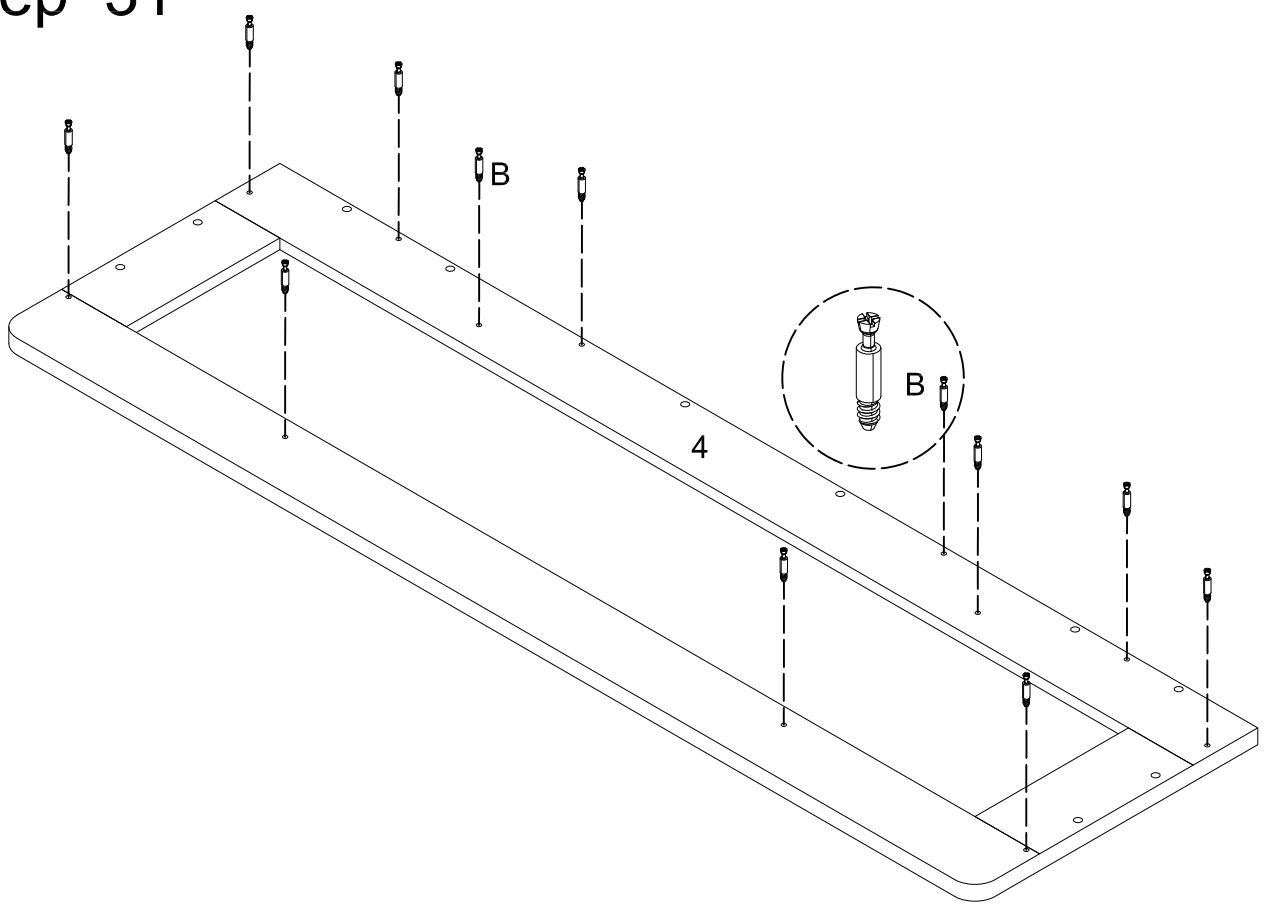
Step 29



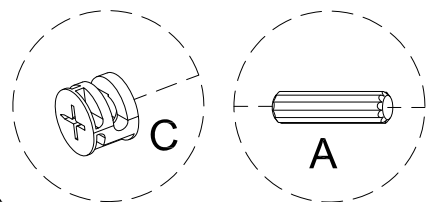
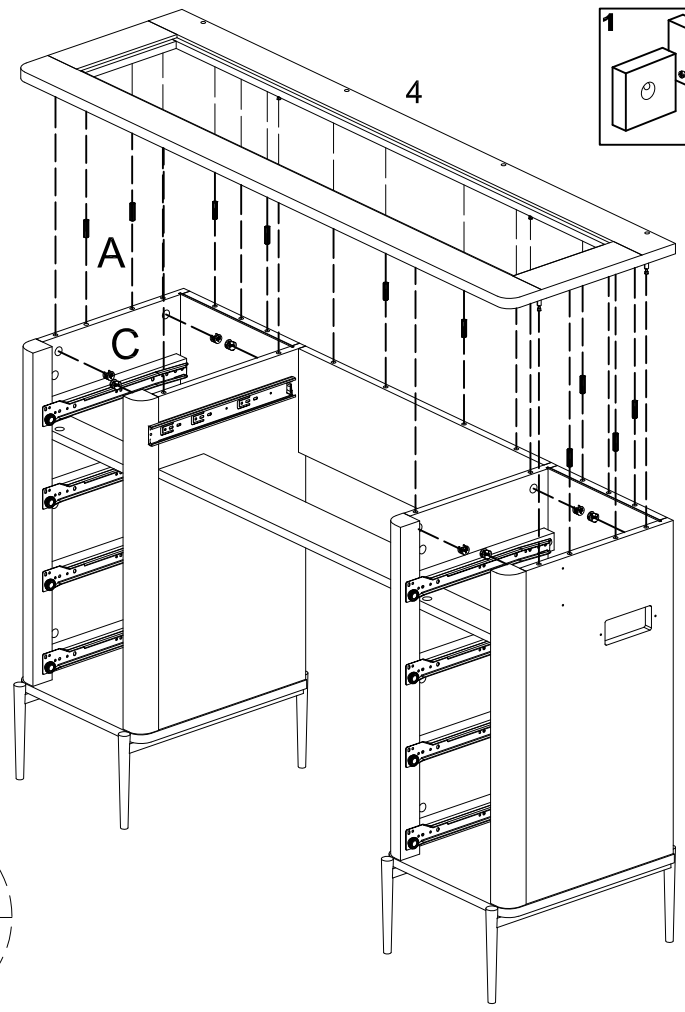
Step 30



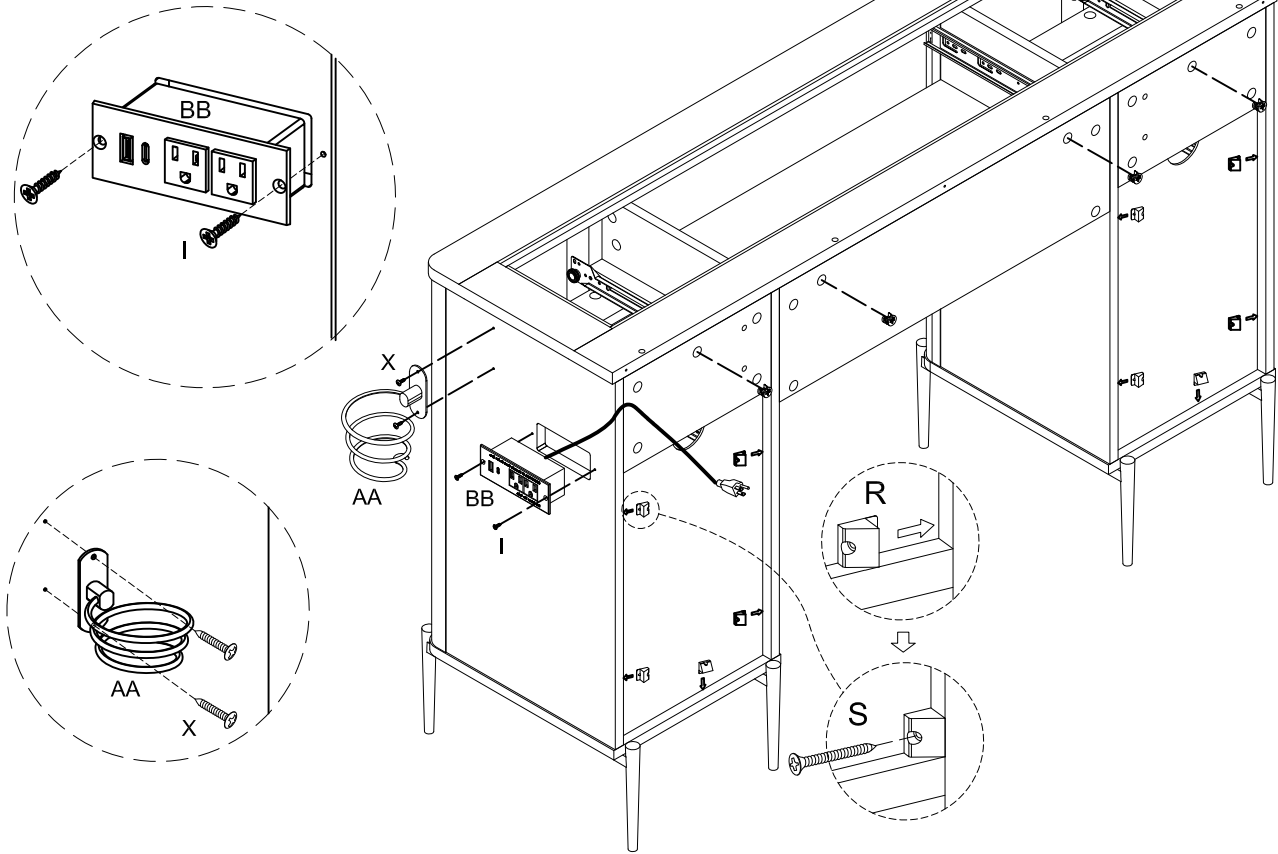
Step 31



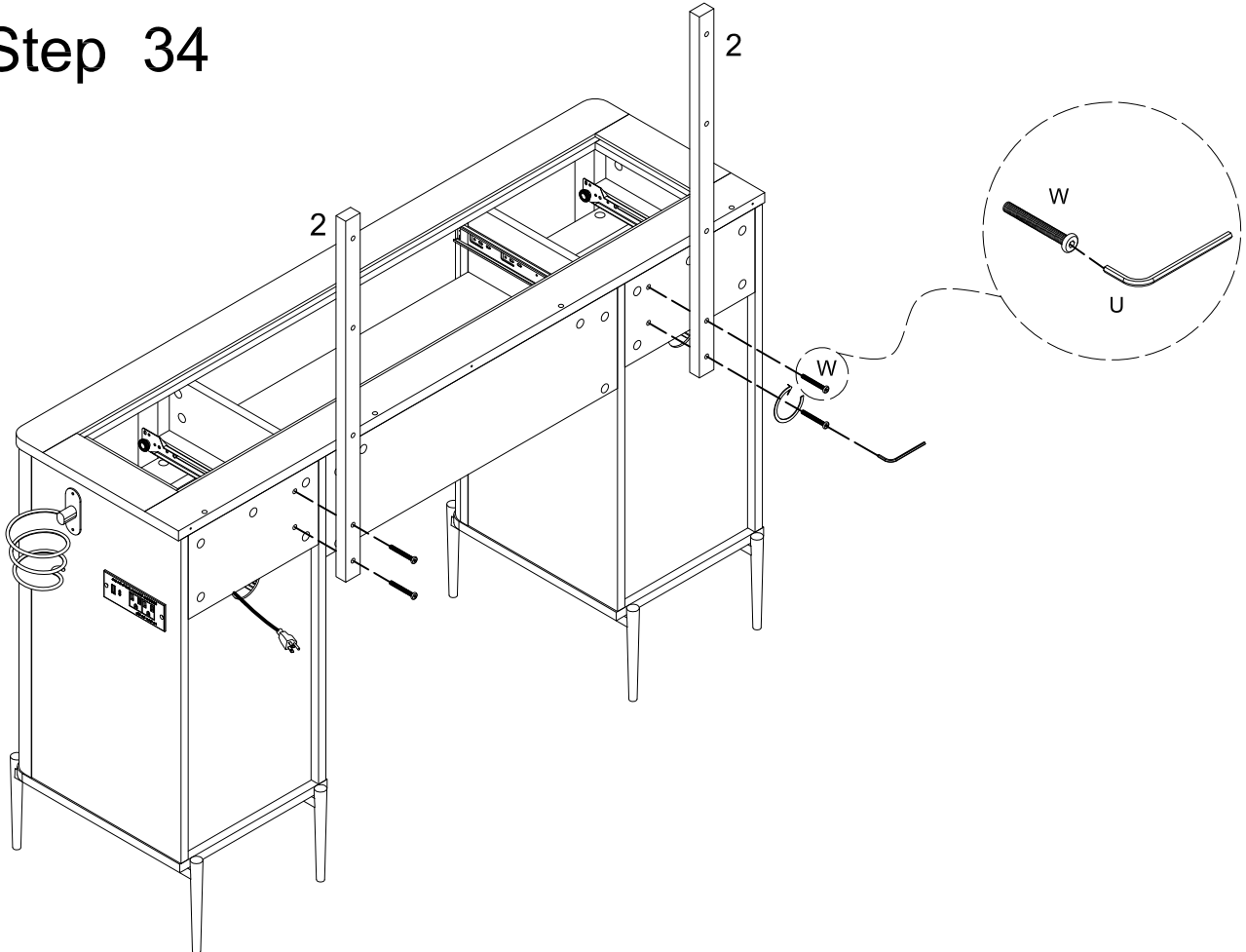
Step 32



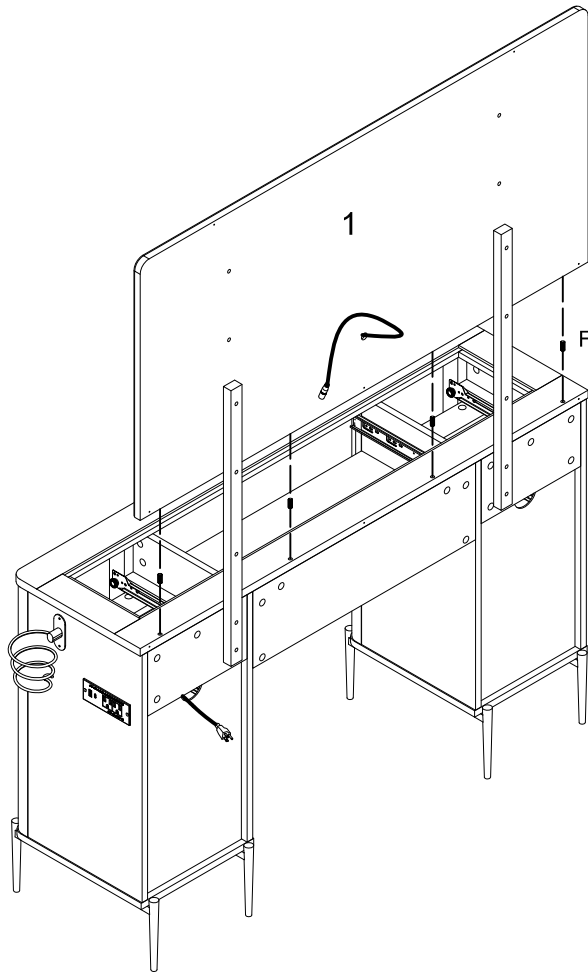
Step 33



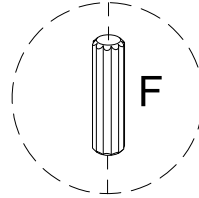
Step 34



Step 35

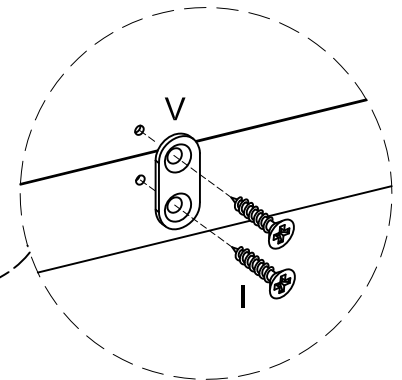
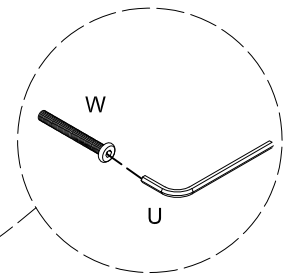
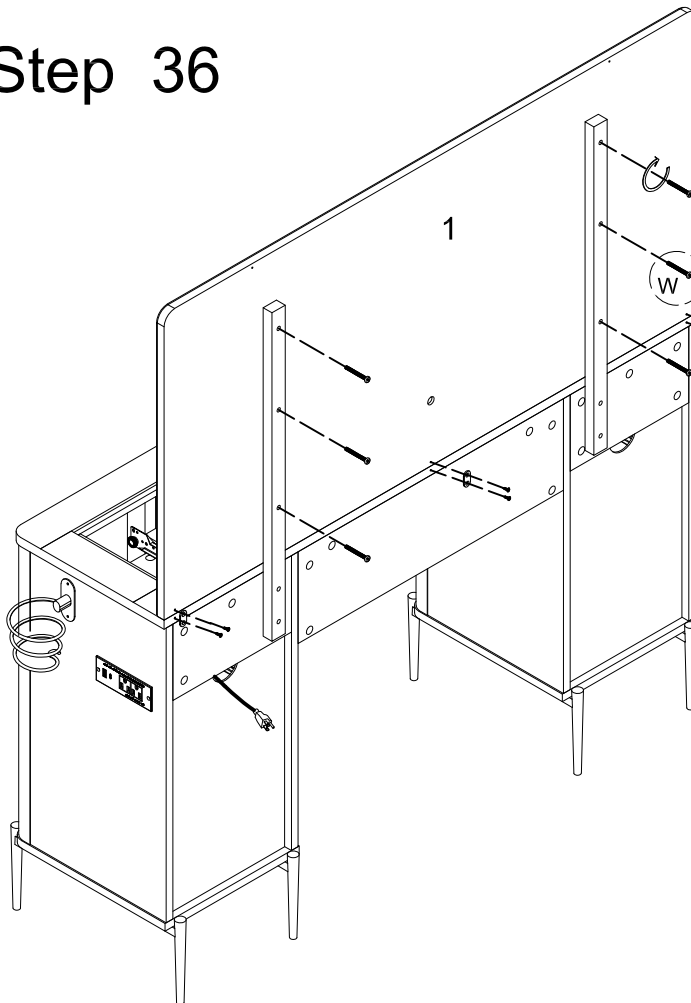


Short Dowel

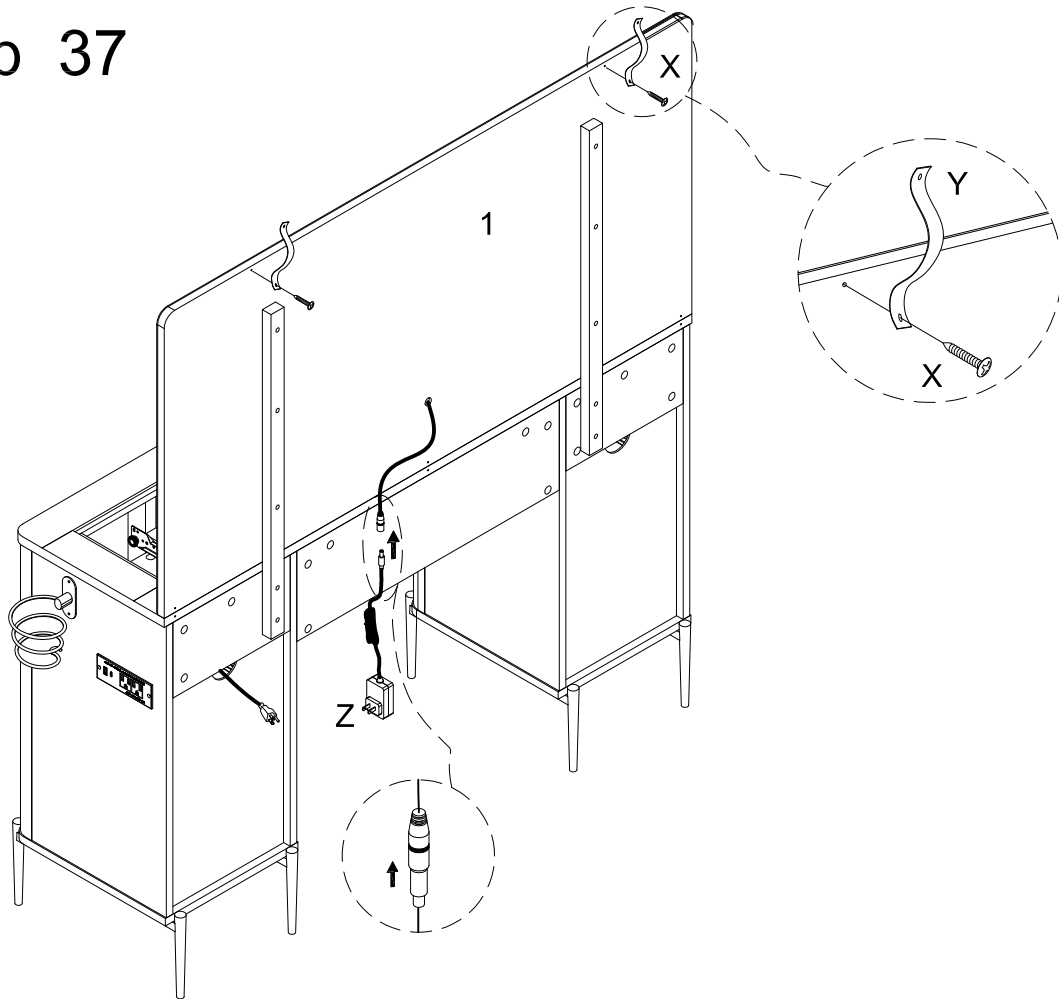


CAUTION: Heavy! You may need assistance with this step.

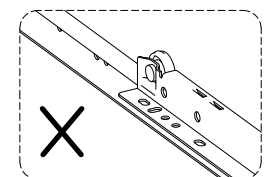
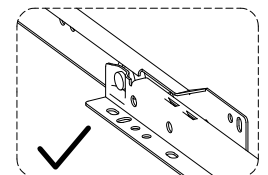
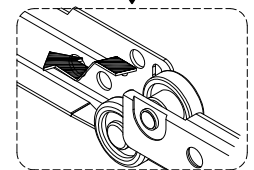
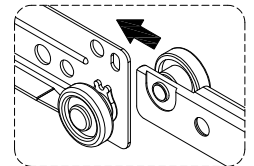
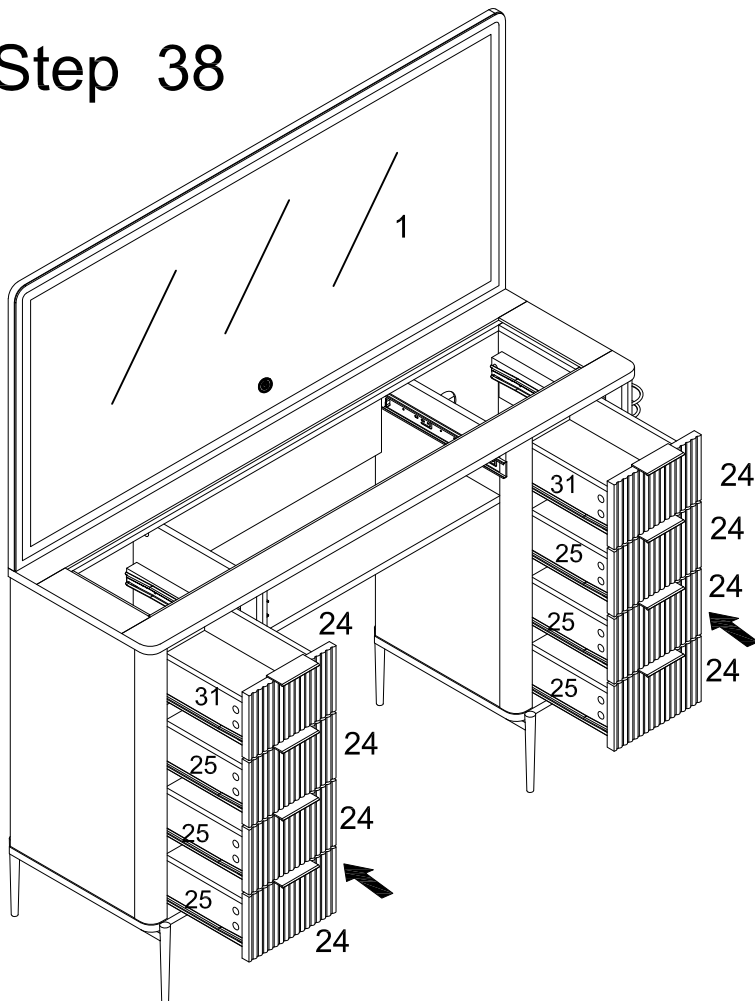
Step 36



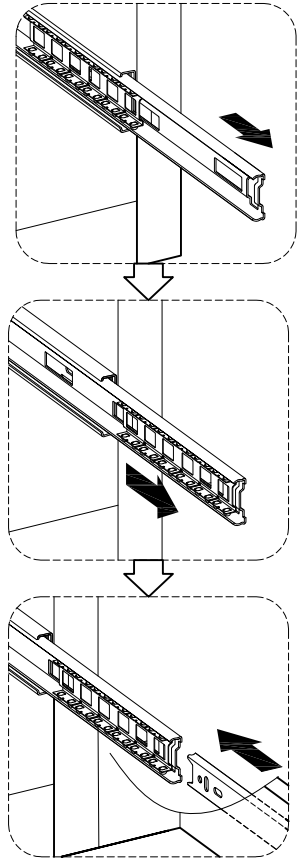
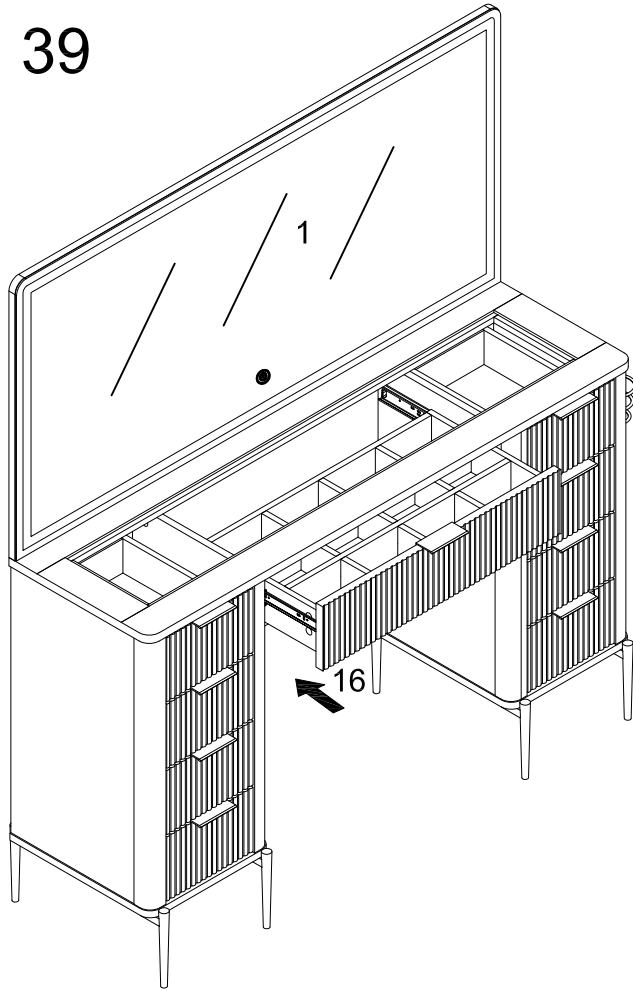
Step 37



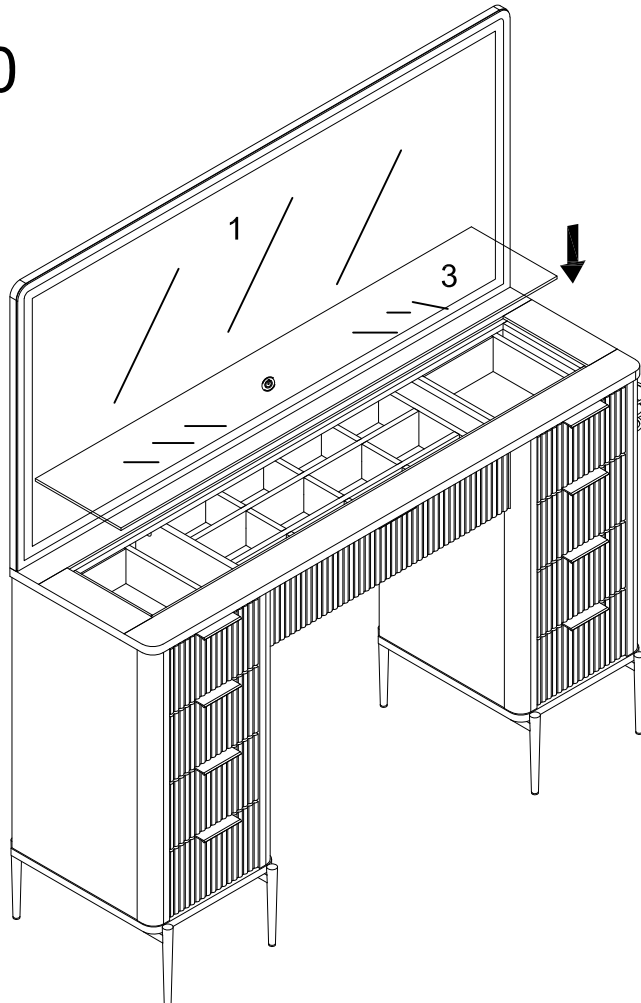
Step 38



Step 39

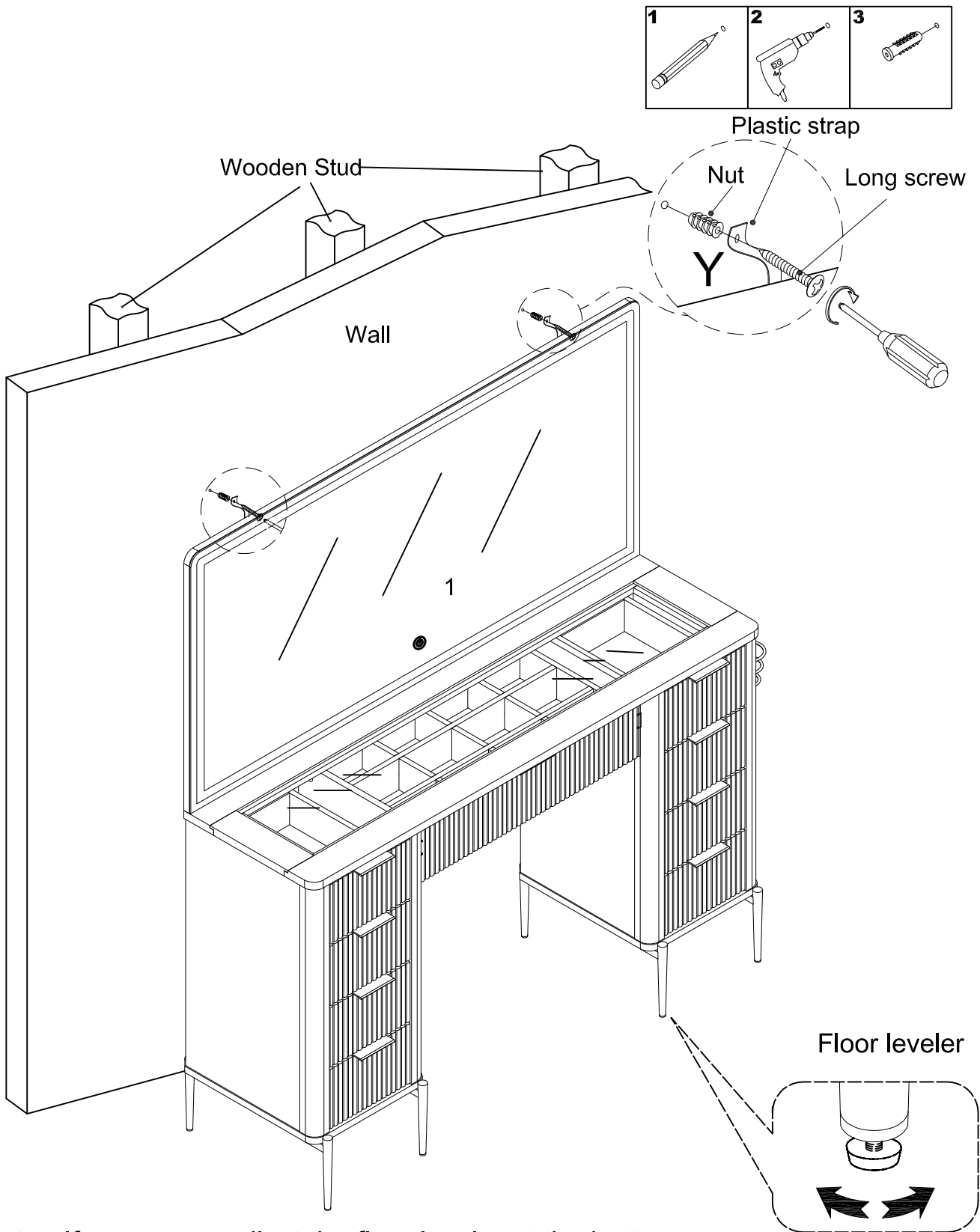


Step 40



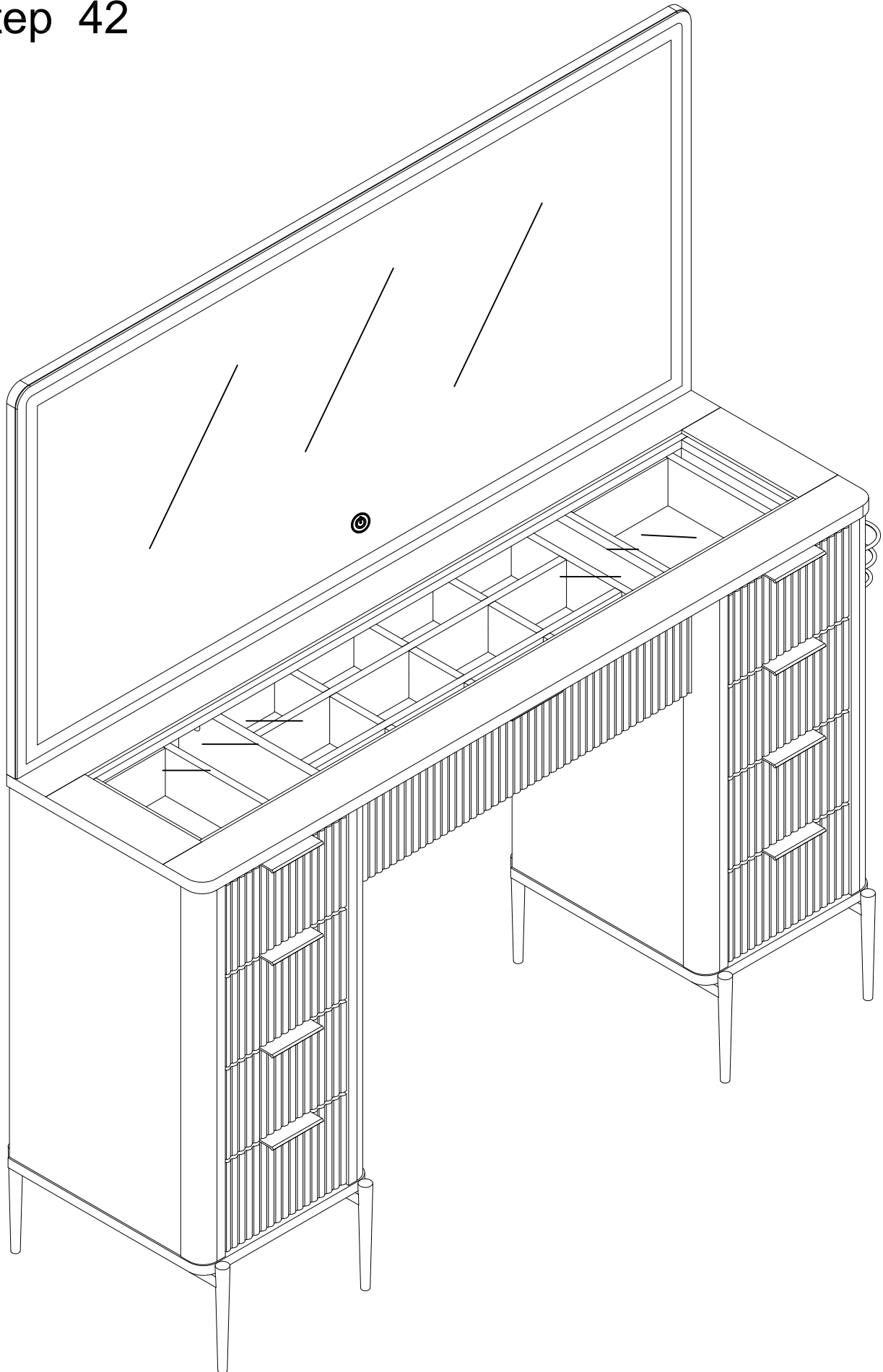
Step 41

Serious or fatal injuries can occur from furniture tipping over. To prevent the furniture from tipping over we recommend that it is permanently fixed to the wall. Wall anchor and hardware are included with this product. Please make sure hardware is suitable for your walls before installing, as different wall materials may require different types of anchors.



Note: If necessary adjust the floor leveler at the bottom of the legs to improve the gap around the Drawers.

Step 42



Final Assembly