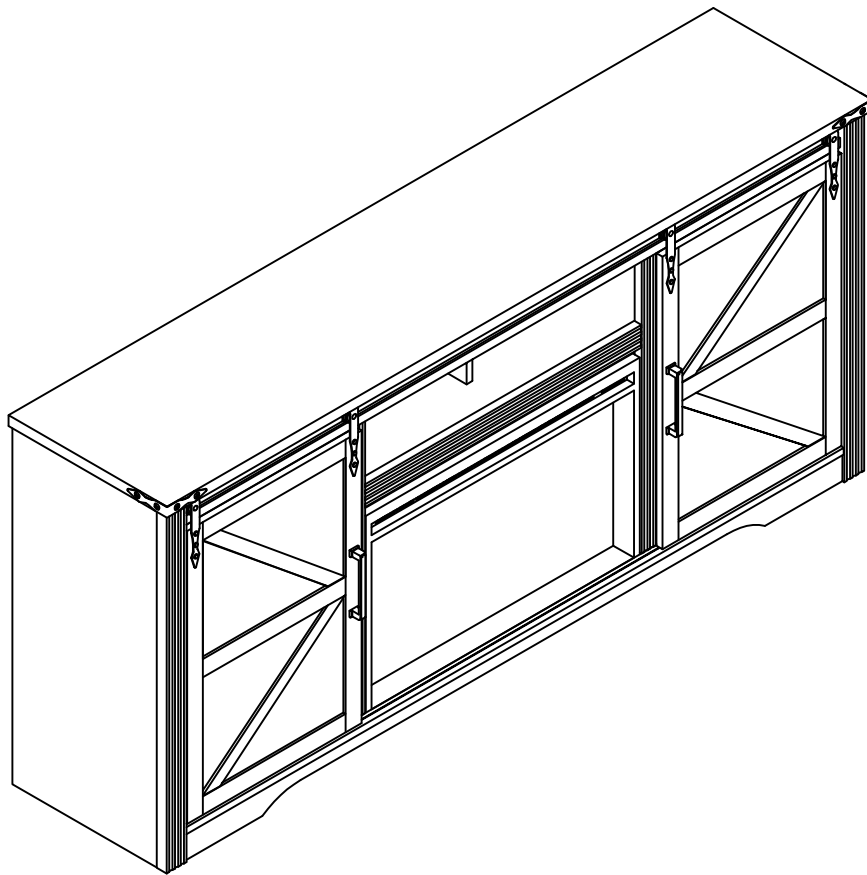
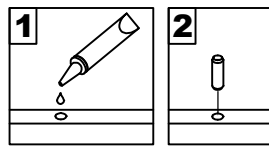


Assembly Instructions

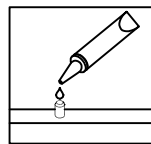


General Assembly Guidelines

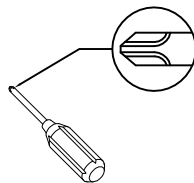
- I. Ensure that all parts and hardware are available before beginning assembly.
- II. Follow each step carefully to ensure the proper assembly of this product.
- III. Two people are recommended for ease in the assembly of this product.
- IV. The three main types of hardware used to assemble this product are : wood dowels , screws and bolts.
- V. The provided glue is to secure wood dowels in place . When first inserting dowels , locate the appropriate hole for the dowel , place a small amount of glue in the hole and insert the dowel . Wipe away excess glue immediately.



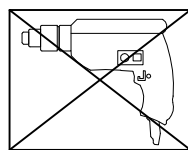
In future assembly steps when dowels are necessary to attach assembly parts together , place a small amount of glue on the end of the dowel before attaching parts together . Wipe away excess glue immediately.



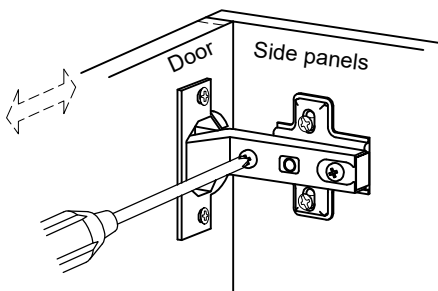
- VI. A Phillips head screwdriver is required for the assembly of this product .



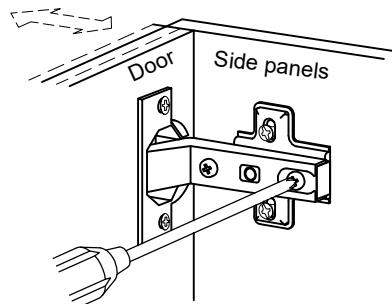
- VII. Power tools should not be used to assemble this product .



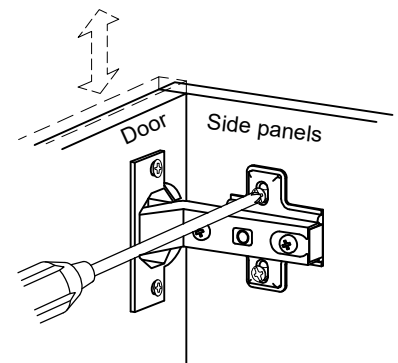
- VIII. Concealed hinges are three-way adjustable.



Horizontal
by screw adjustment

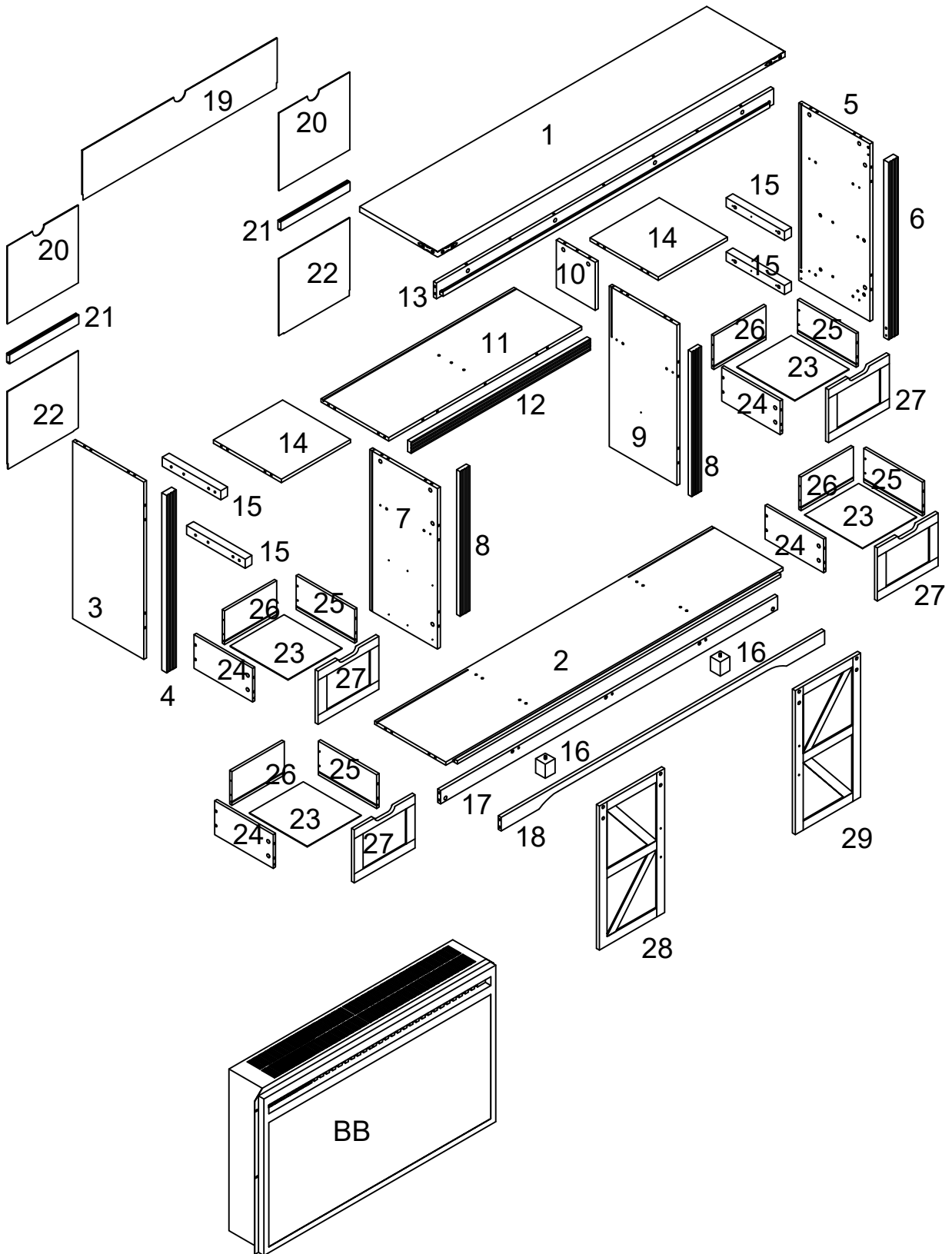


In-and-Out
by loosening the hinge-arm
mounting screw or via cam
adjustment


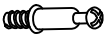









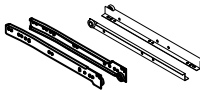

















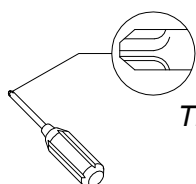
Vertical
Via slots in the mounting
plate or via cam adjustment

Parts List



Hardware List

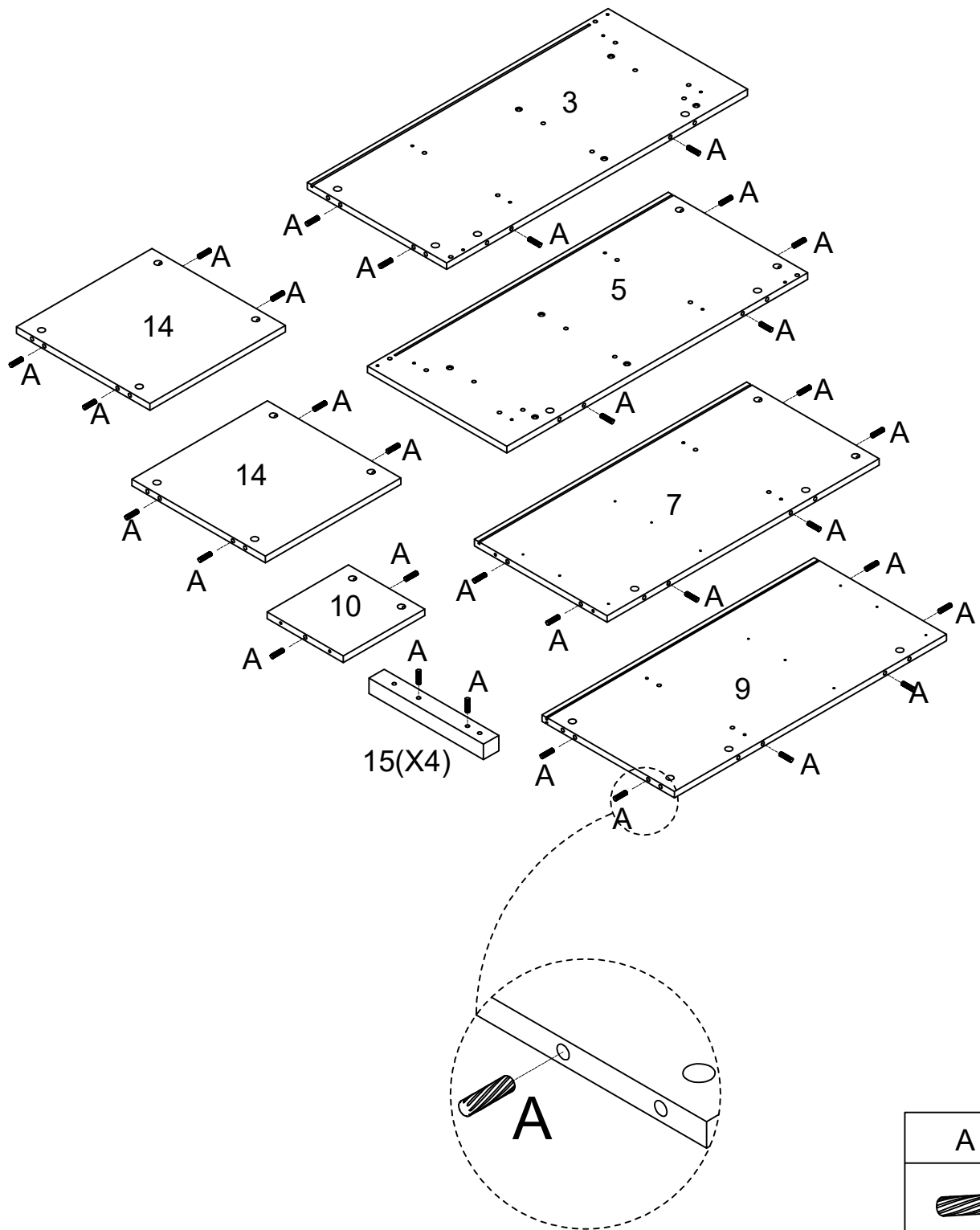
A		Ø8x30mm	Wooden dowel	57 pcs
B		Ø6x35mm	Cam lock	63 pcs
C		Ø15x11mm	Cam lock	47 pcs
D		Ø30mm	Sticker	63 pcs
E		Ø6x50mm	Bolt	6 pcs
F		M 4	Hex Key	1 pc
G		M6*12mm	Screw	12 pcs
H			Angular Code	6 pcs
I			Hold hands	2 pcs
J		Ø4x19mm	Screw	4 pcs
K		M6*35mm	Screw	8 pcs
L		Individually packed	Drawer slides	4 pcs
M		Ø3x12mm	Screw	48 pcs
N		Ø4x32mm	Screw	16 pcs
O		Ø15x9mm	Cam lock	16 pcs
P			Pulley	4 pcs
Q		M6*12mm	Screw	8 pcs
R			Metal plate	4 pcs
S		Ø4*12mm	Screw	8 pcs
T			Plastic wedge	16 pcs
U		Ø3x17mm	Screw	16 pcs
V			Anti falling hardware	4 pcs
W		Ø4x15mm	Screw	4 pcs
X		Ø4x35mm	Screw	4 pcs
Y			House lizard	4 pcs
Z			Strip	2 pcs
AA			Small White Glue	2 pc




Philips head screwdriver required for assembly
(not included)

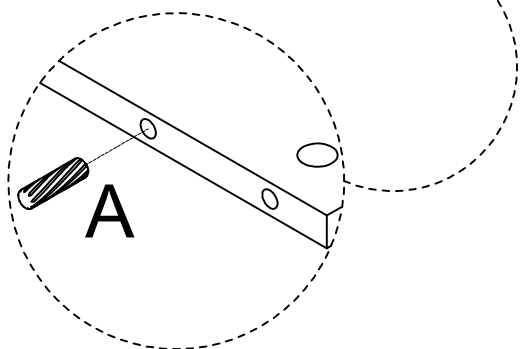
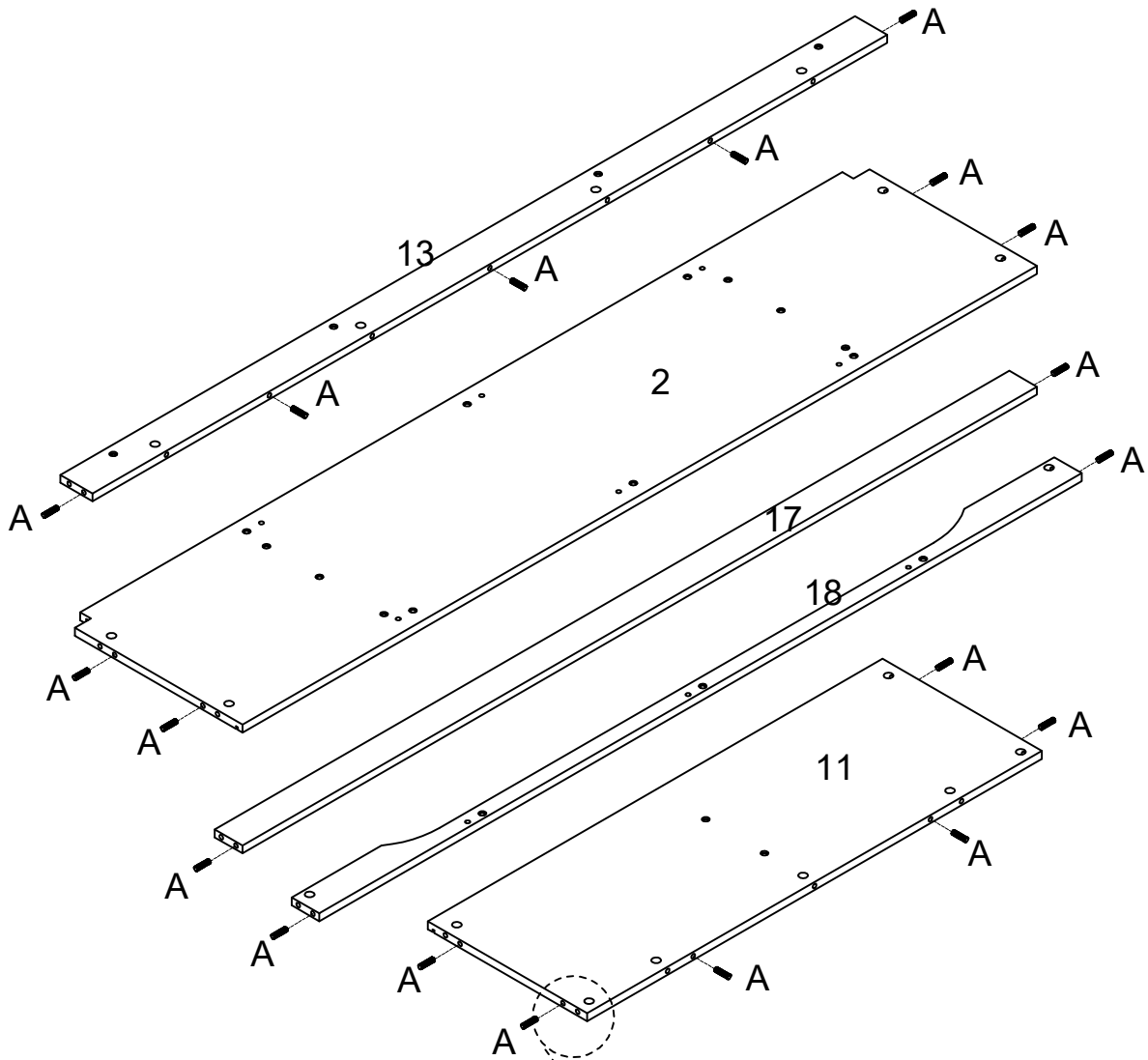
*The hardware quantities listed above are required for proper assembly.
Some extra hardware may also have been included.*


Step 1



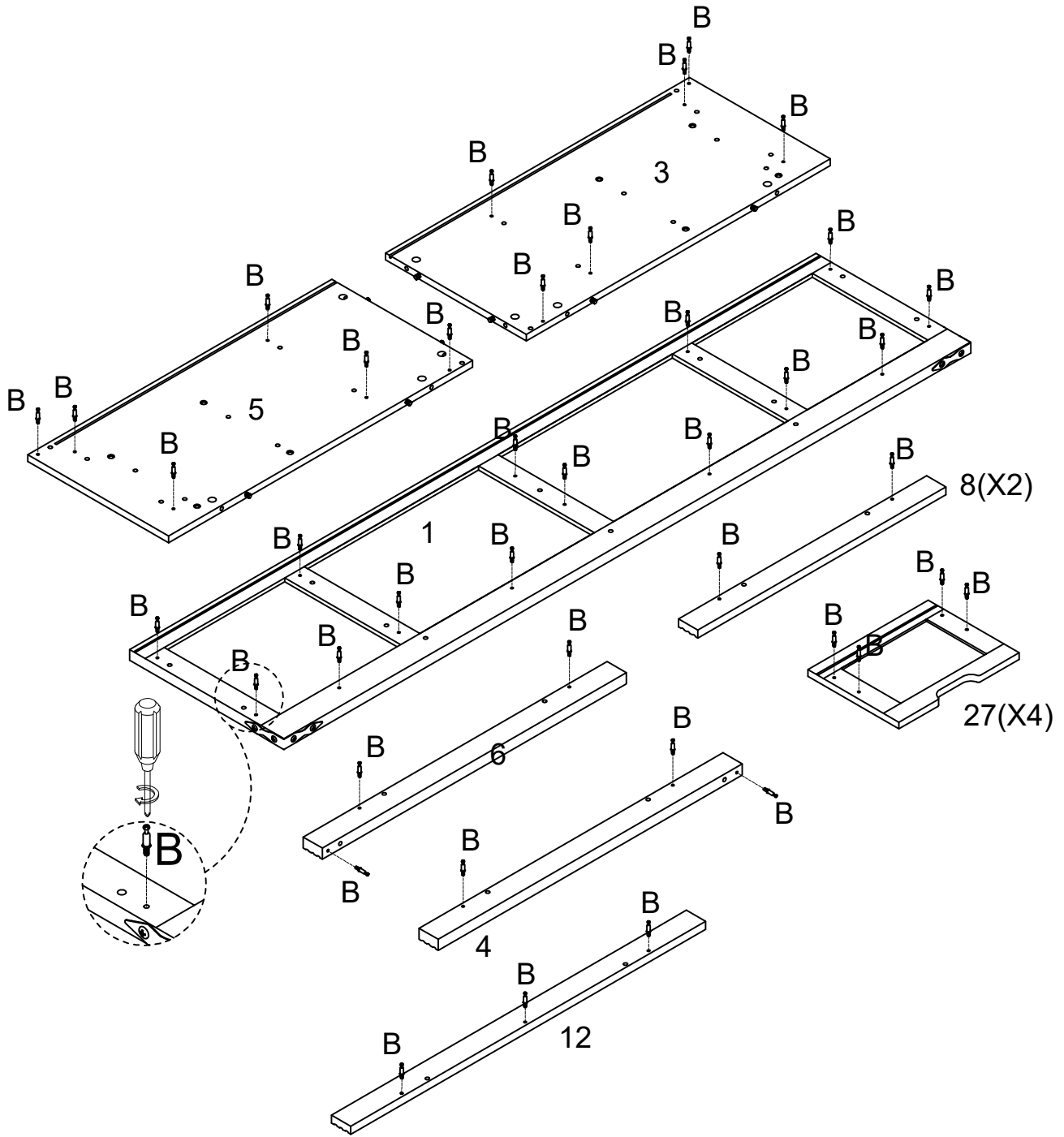
A

X38


Step 2



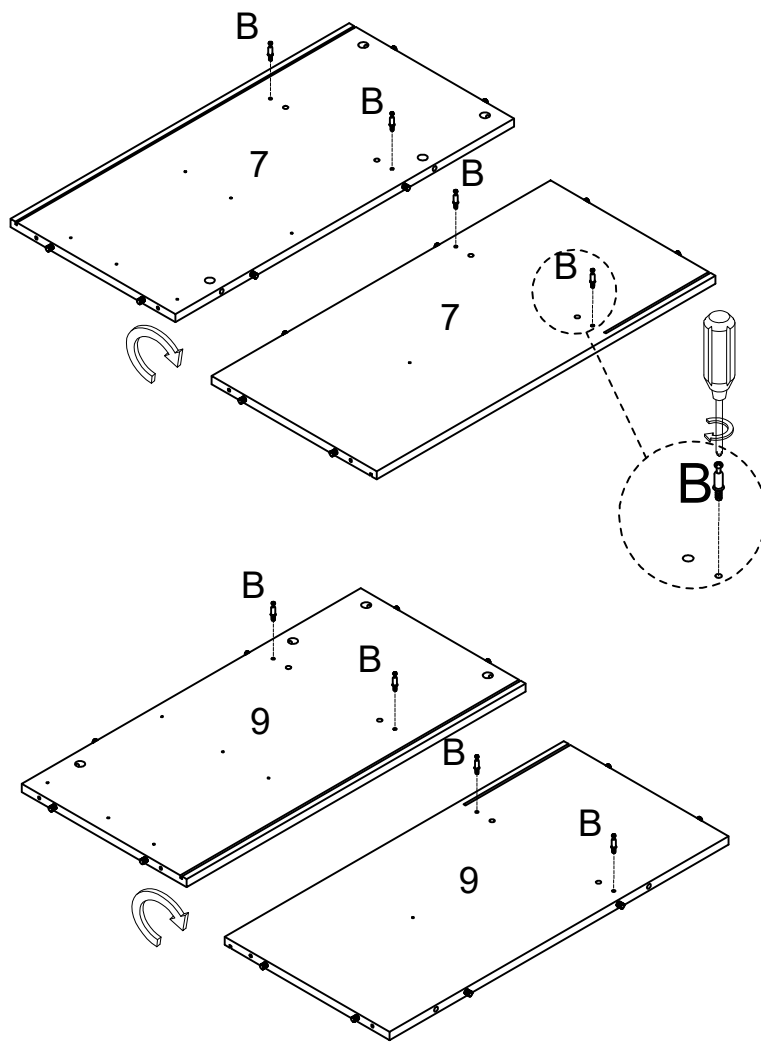
A

X19


Step 3



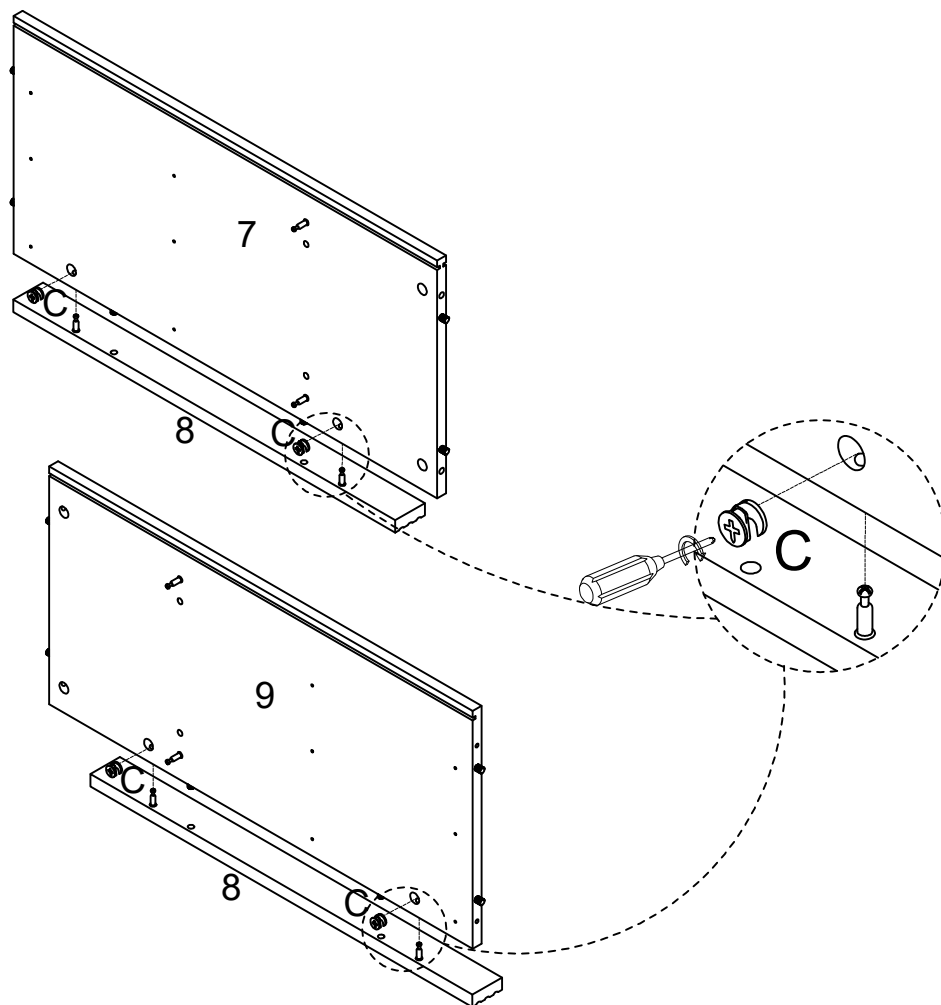
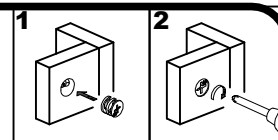
B

X55


Step 4



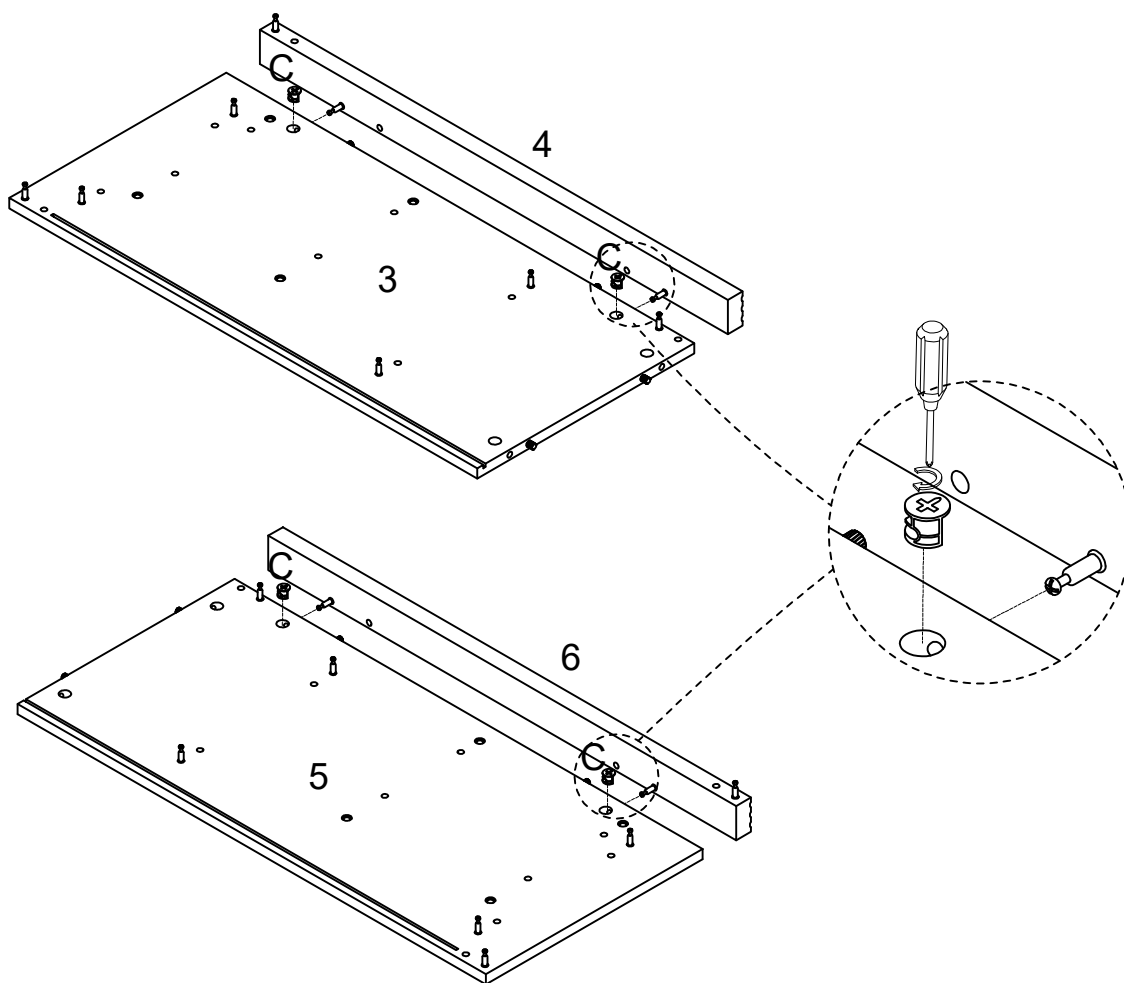
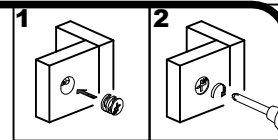
B

X8


Step 5



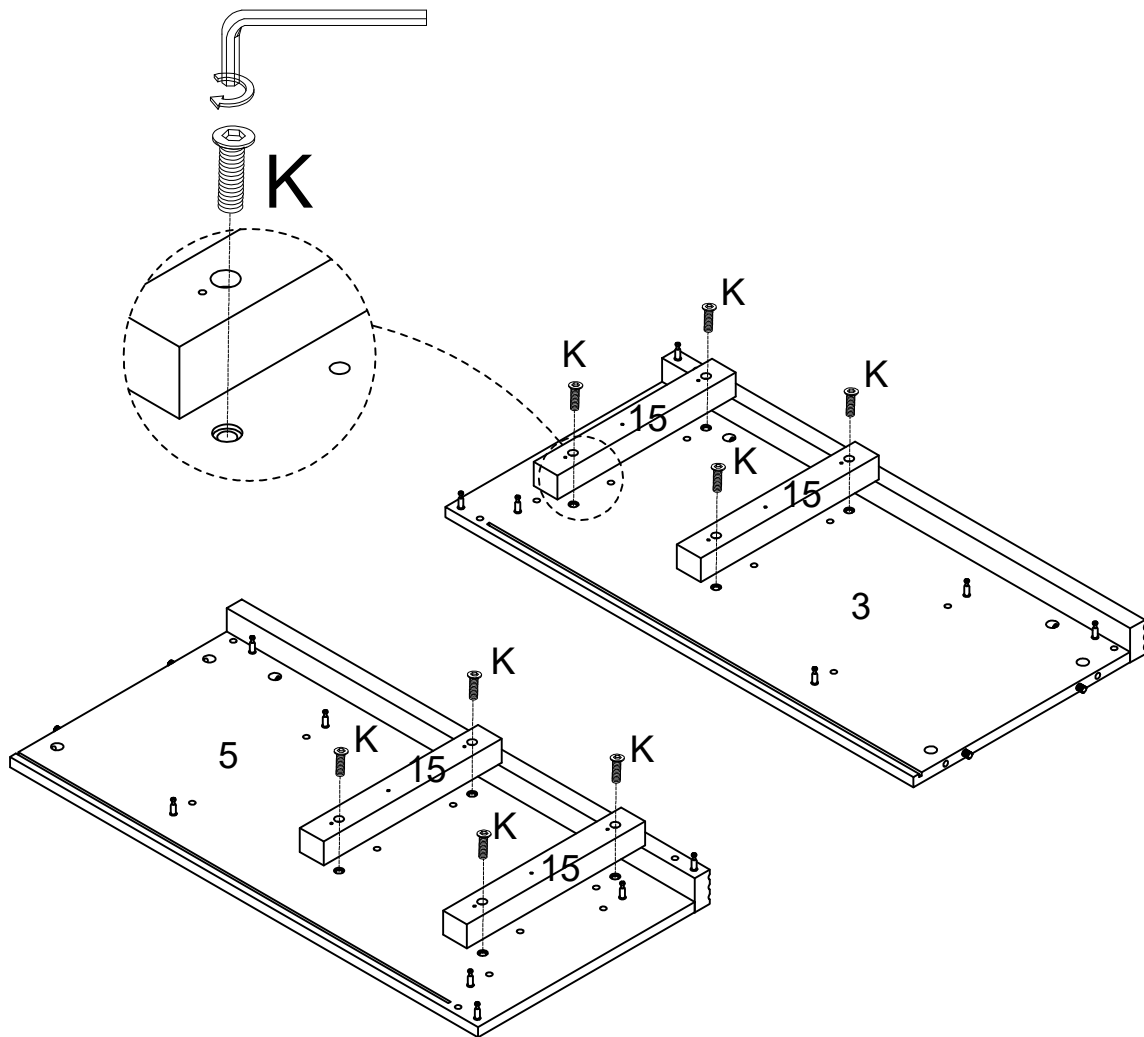
C

X4


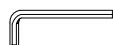
Step 6



C

X4

Step 7



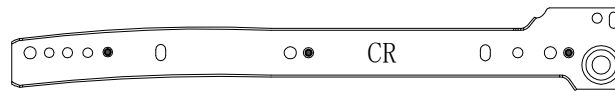
K	F
	
X8	X1

Step 8

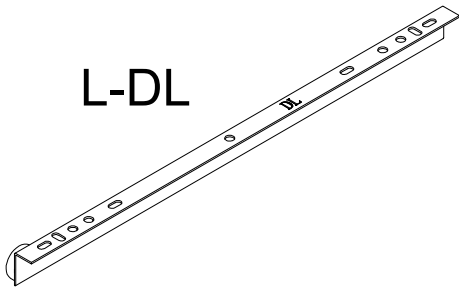
L-CL



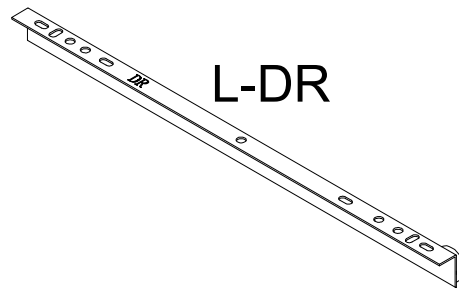
L-CR



L-DL



L-DR

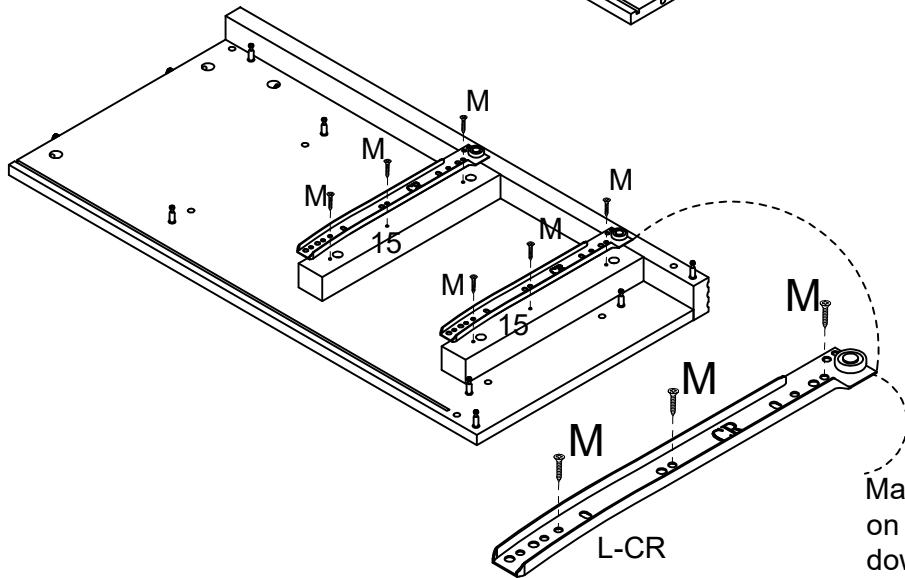
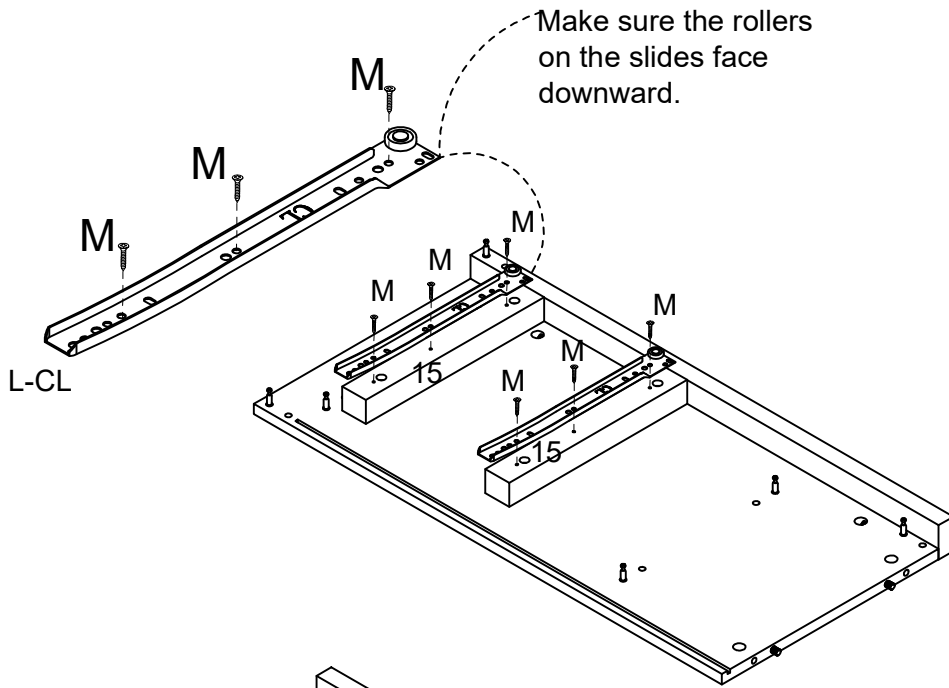
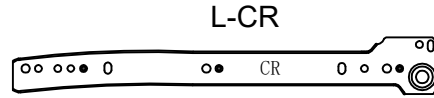


Step 10

NOTE:



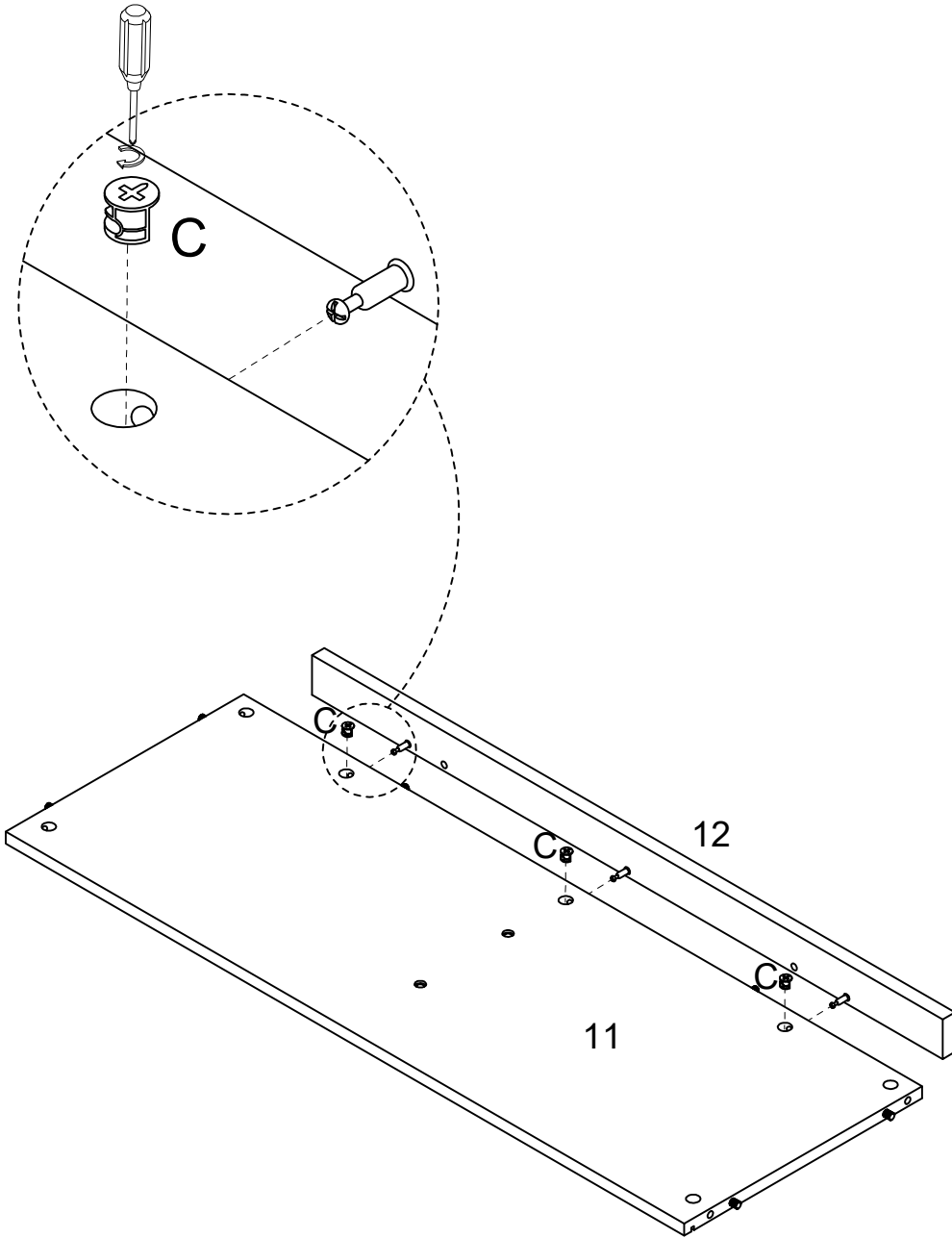
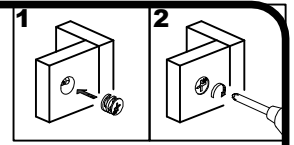
Refer to the images to identify L-CL (left) and L-CR (right). Attach L-CL to #15 panel and L-CR to #15 panel. [M] screws must go in the exact spots shown.




Make sure the rollers on the slides face downward.

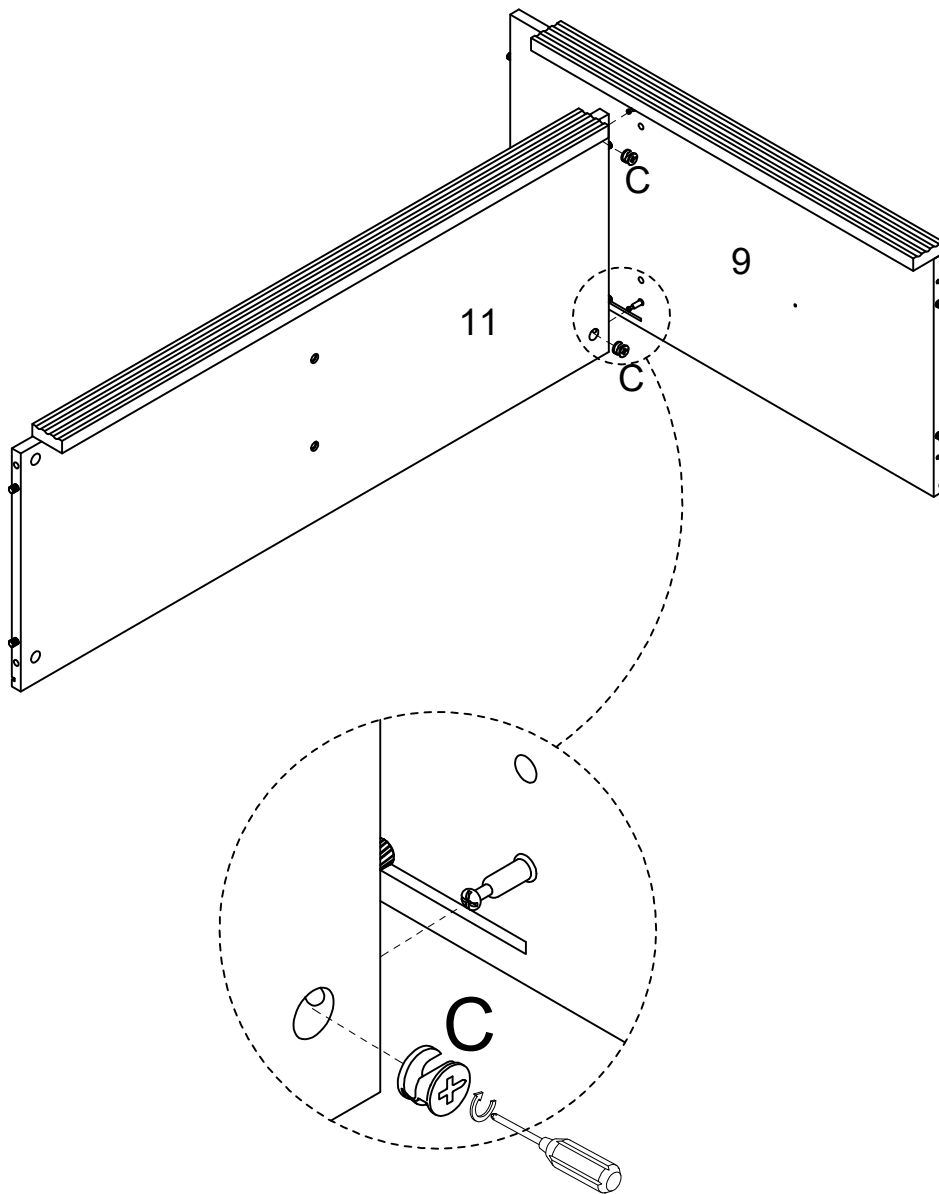
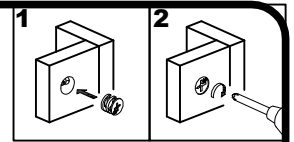
M	L
X12	X2


Step 11



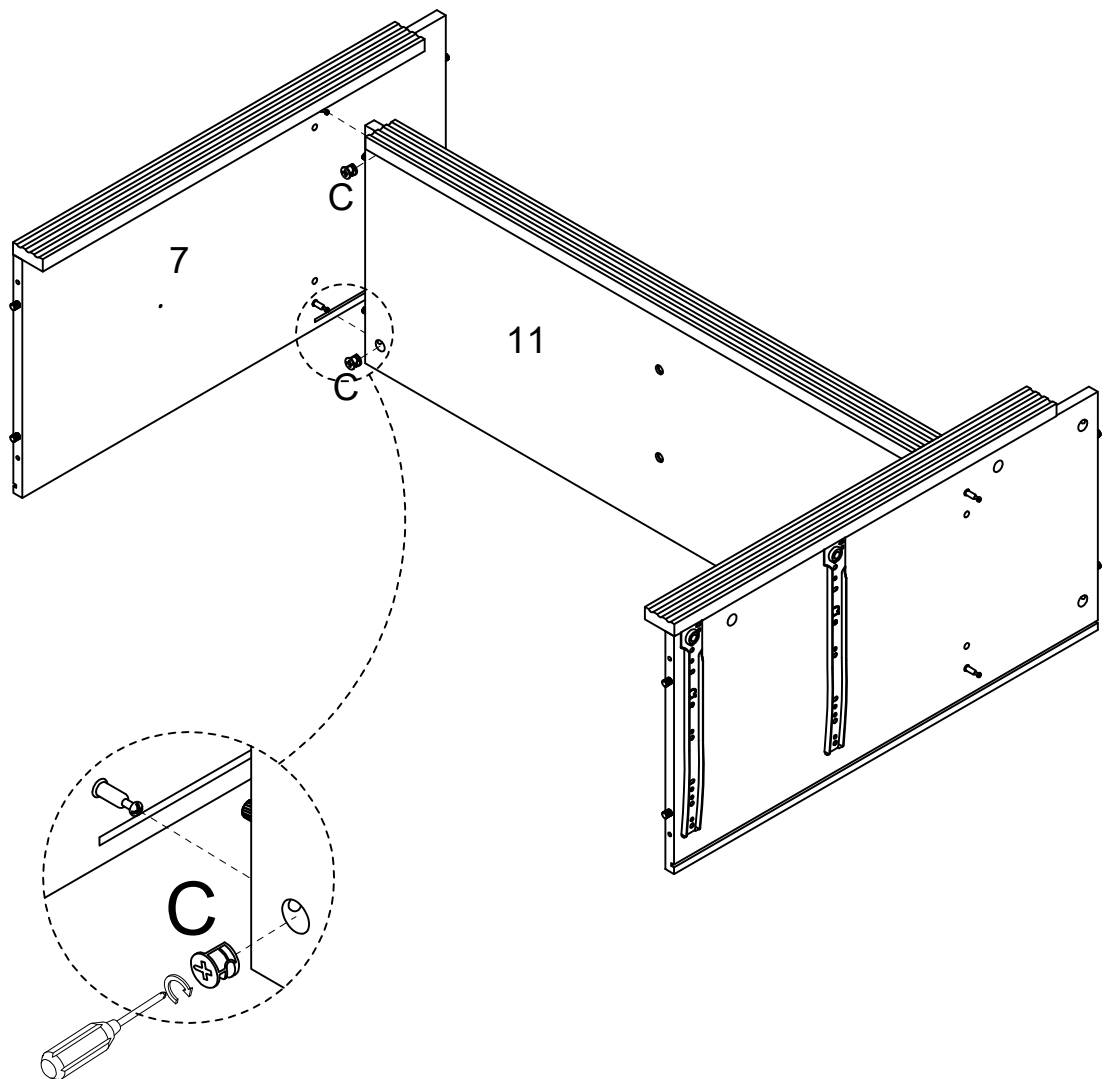
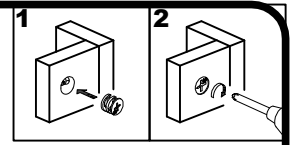
C

X3


Step 12



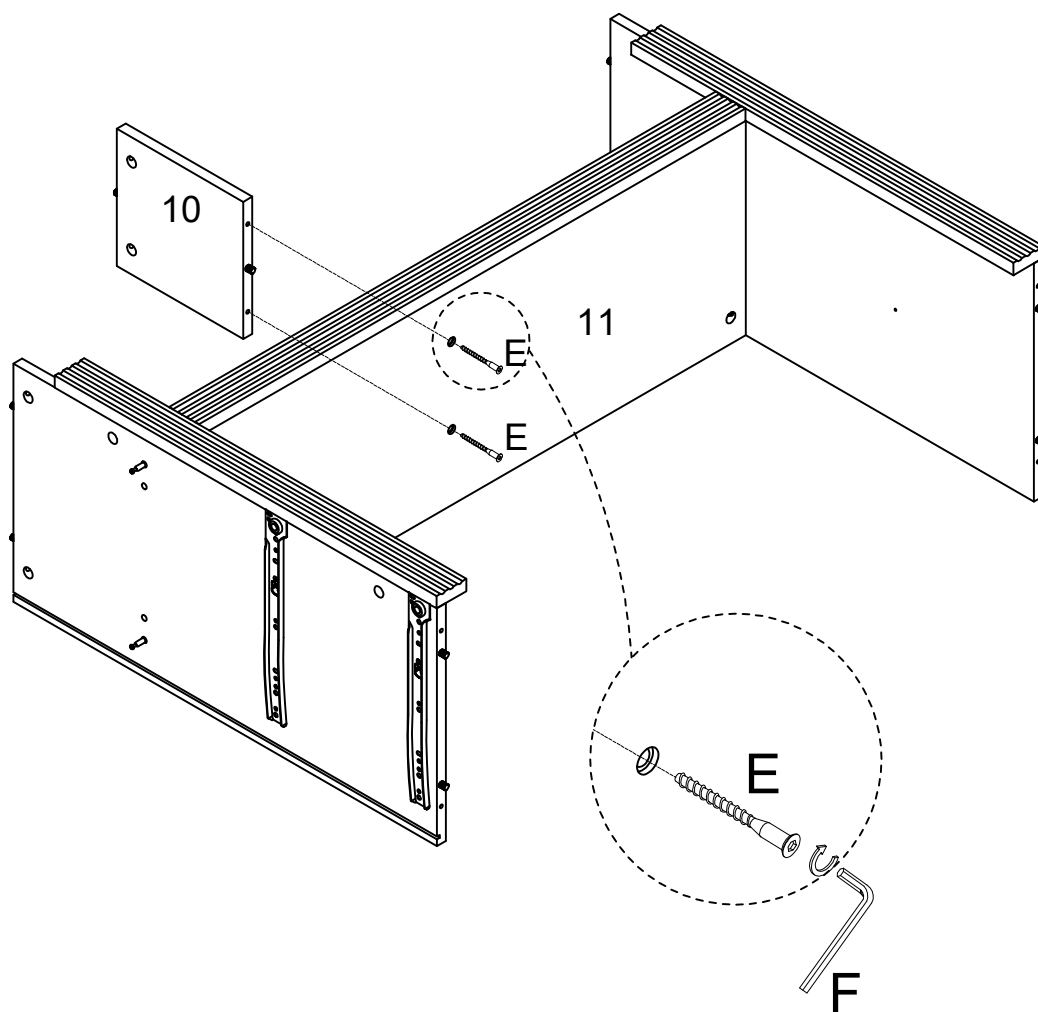
C

X2



Step 13



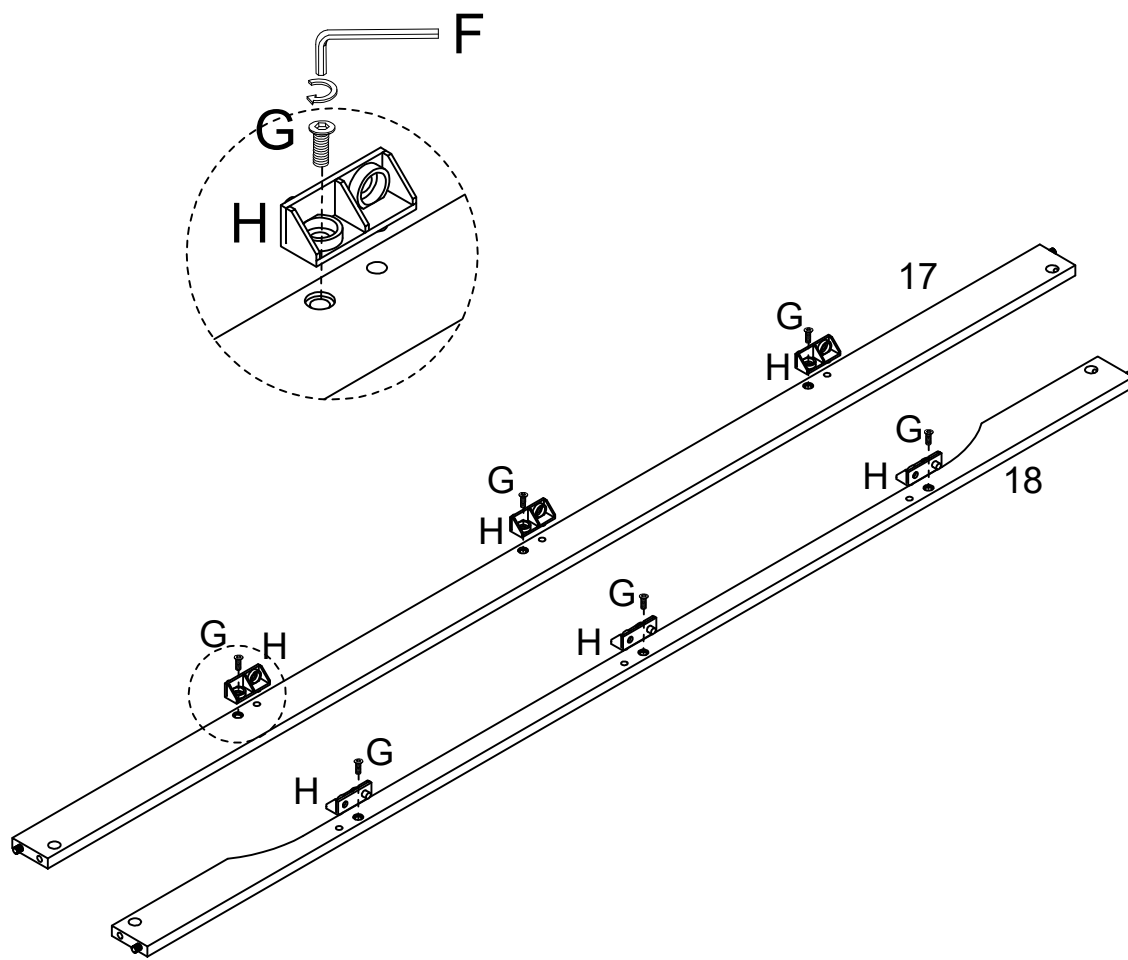
C

X2



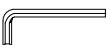
Step 14



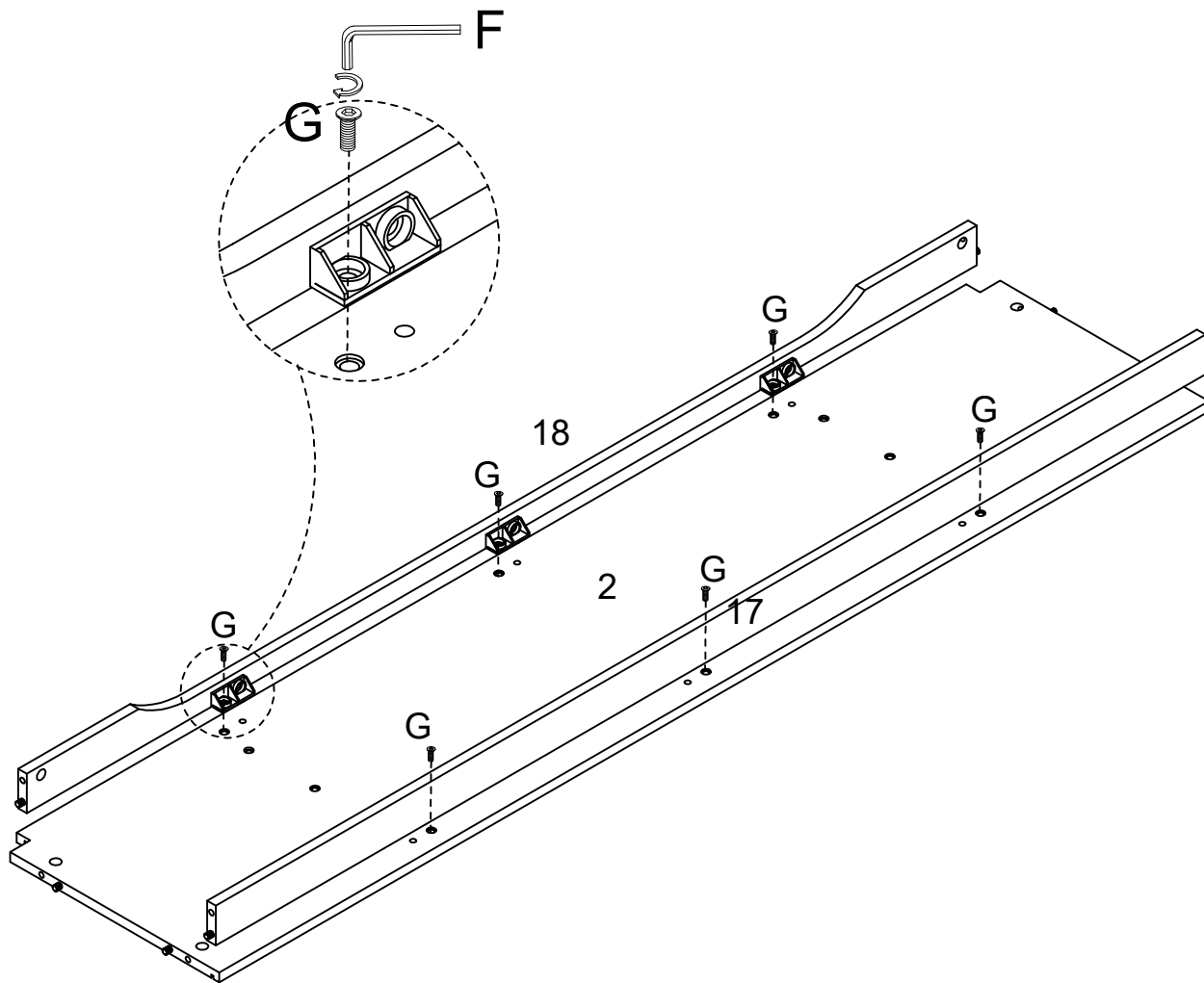
E	F
	
X2	X1



Step 15



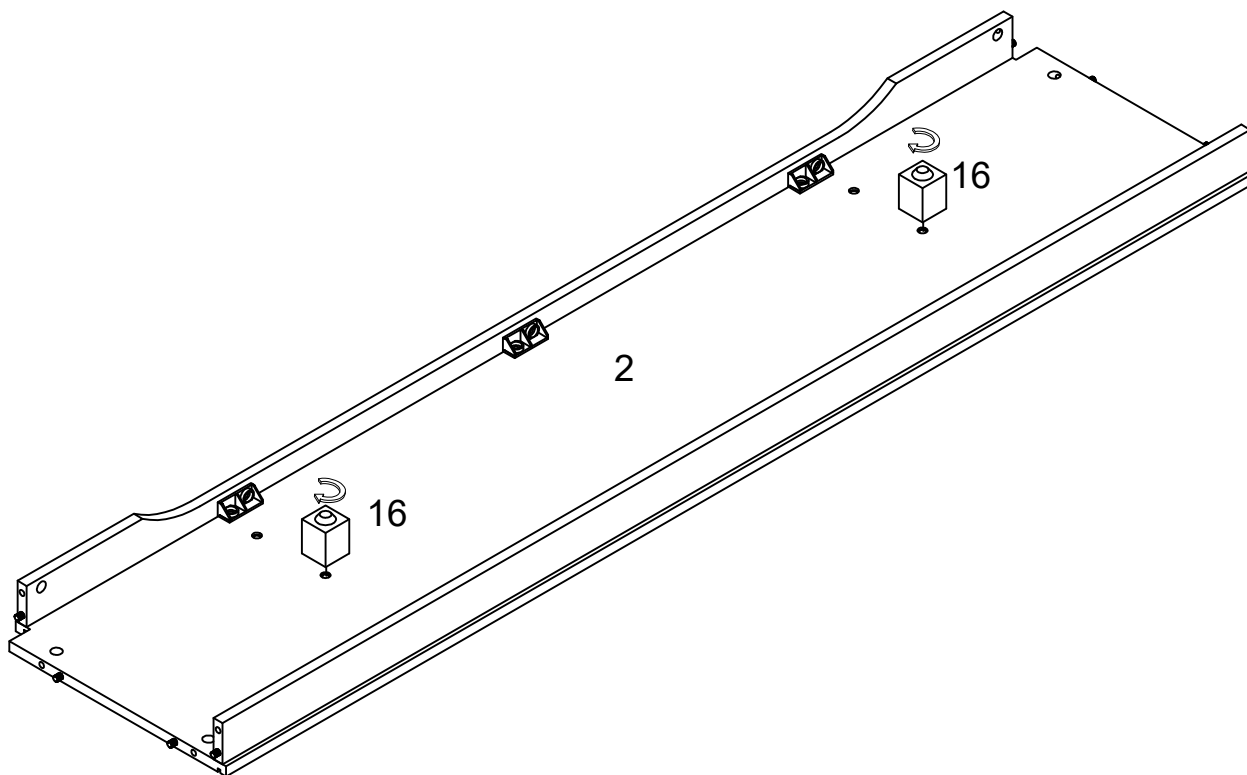
H	G	F
		
X6	X6	X1

Step 16

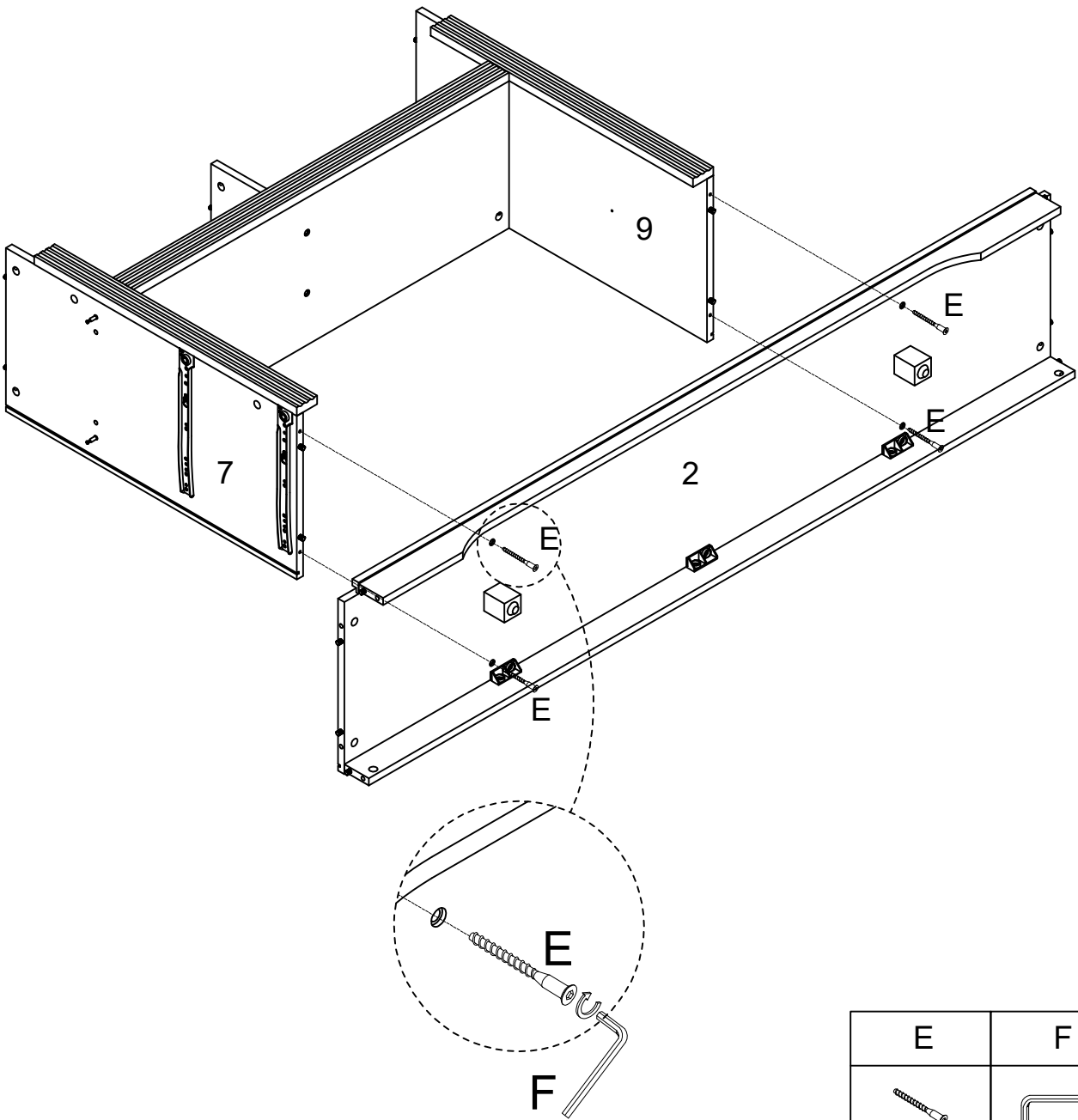



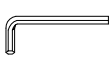
G	F
	
X6	X1

Step 17

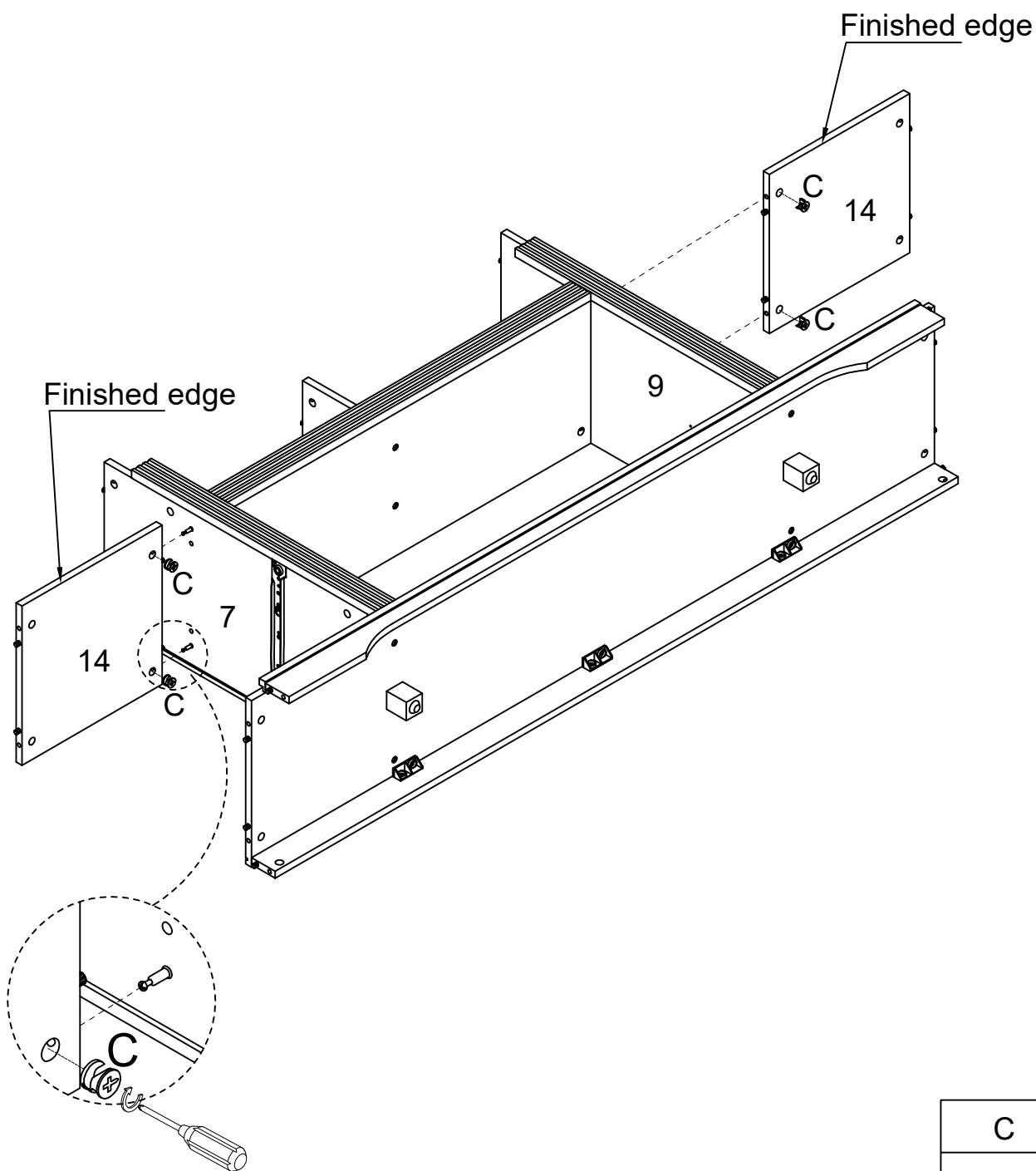
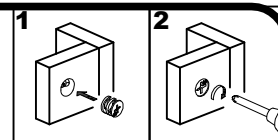



Step 18



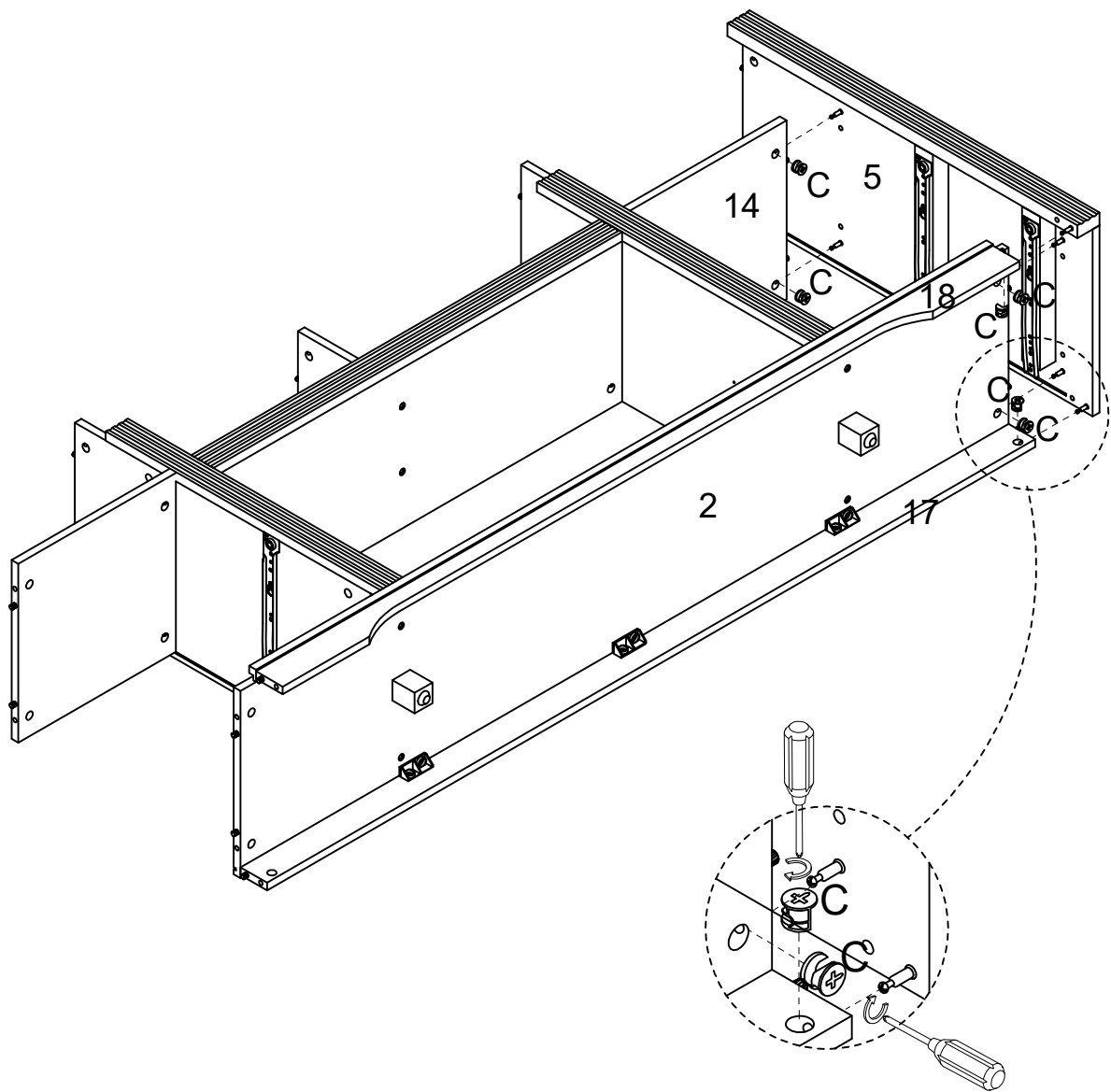
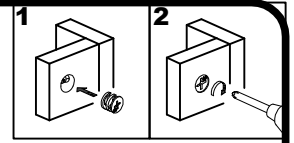
E	F
	
X4	X1


Step 19



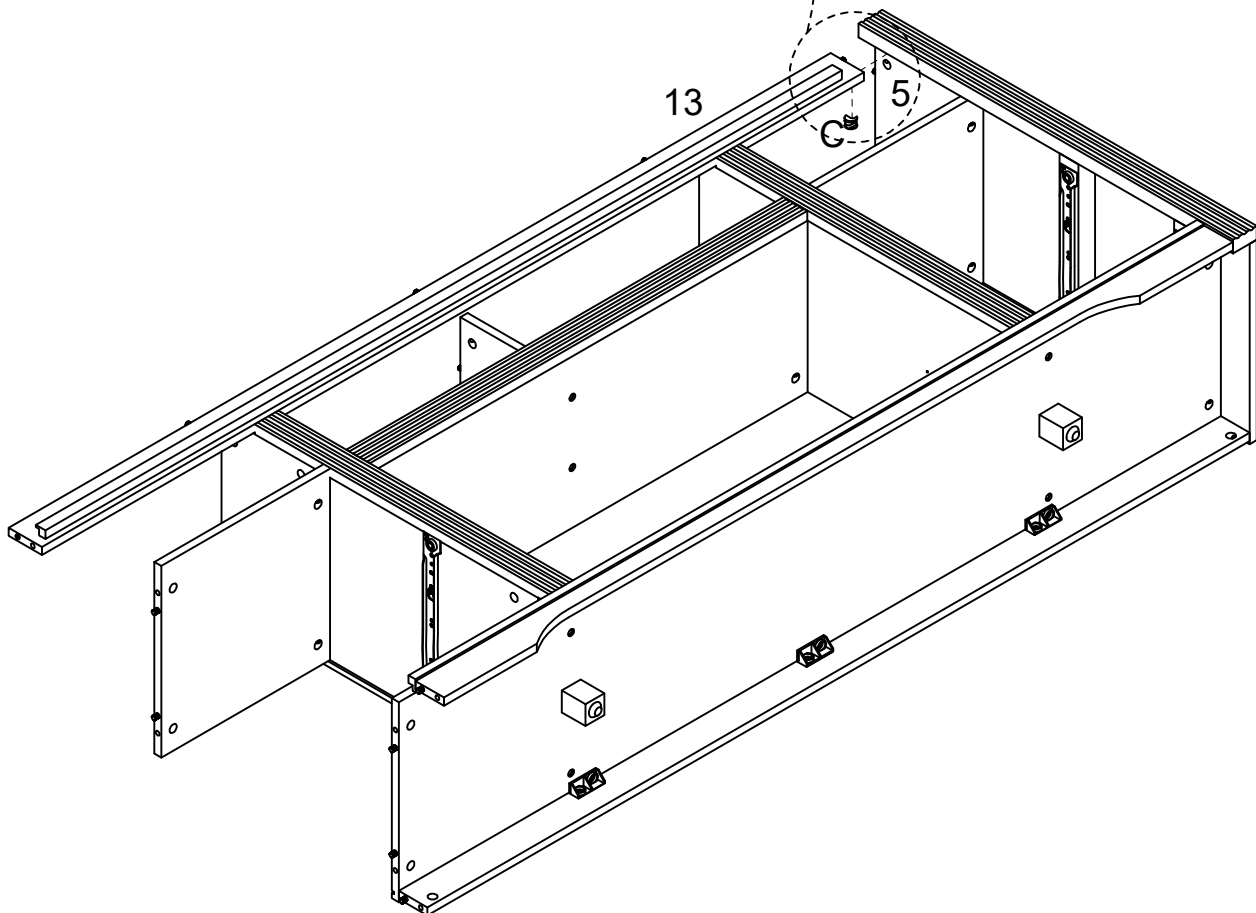
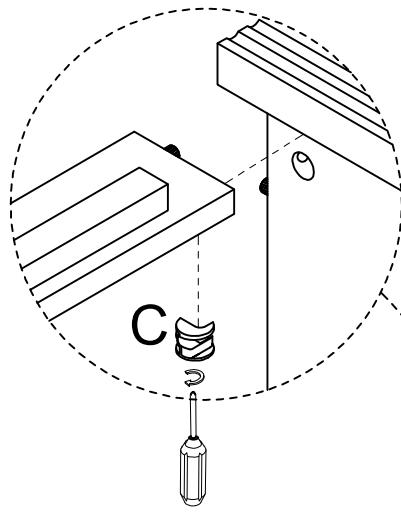
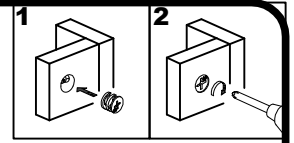
C

X4


Step 20



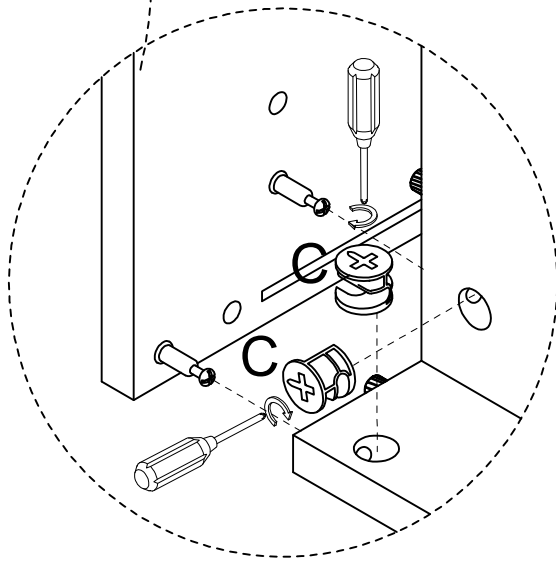
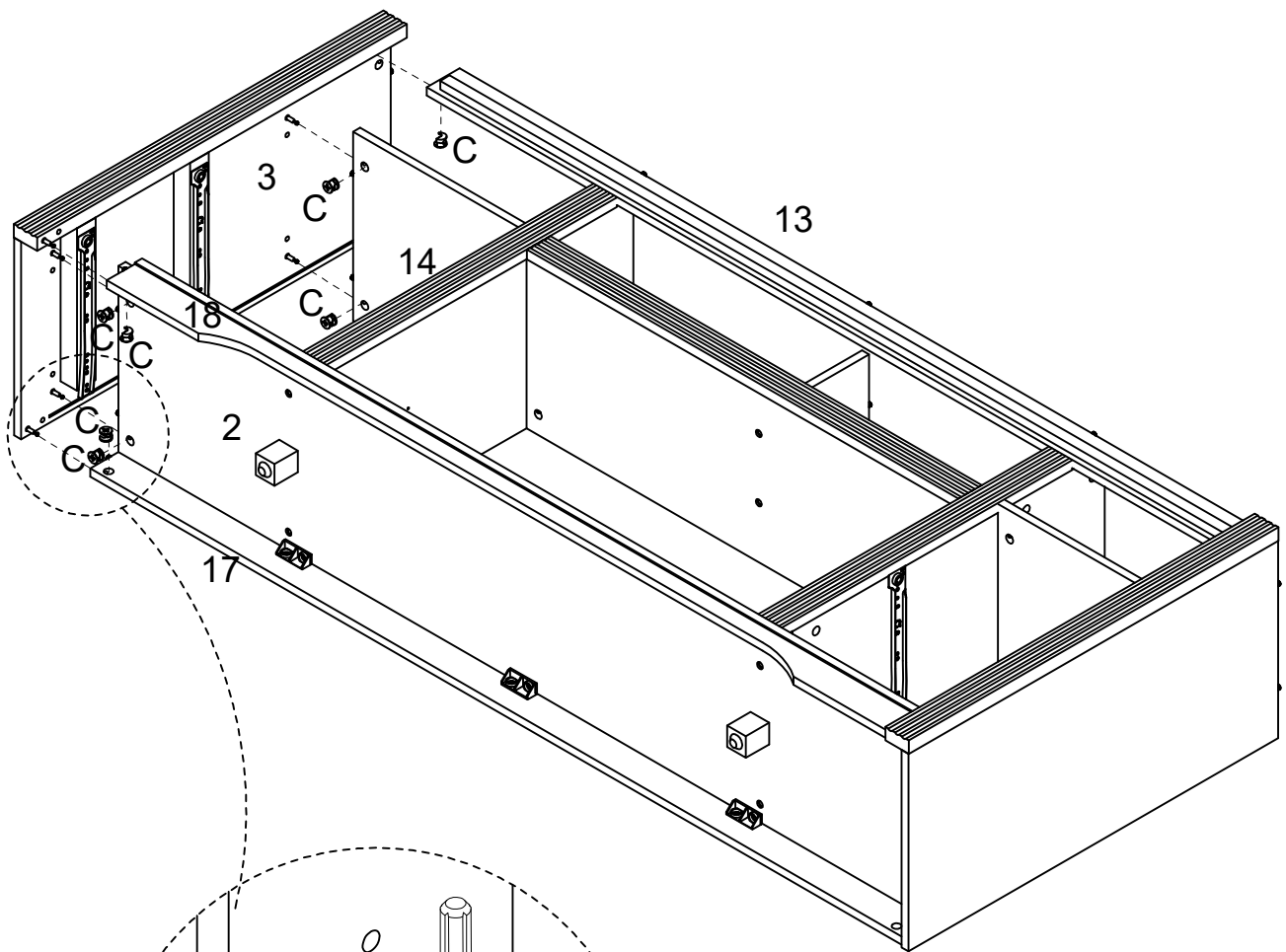
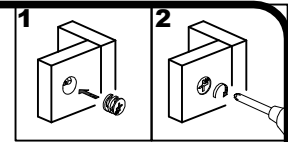
C

X6

Step 21



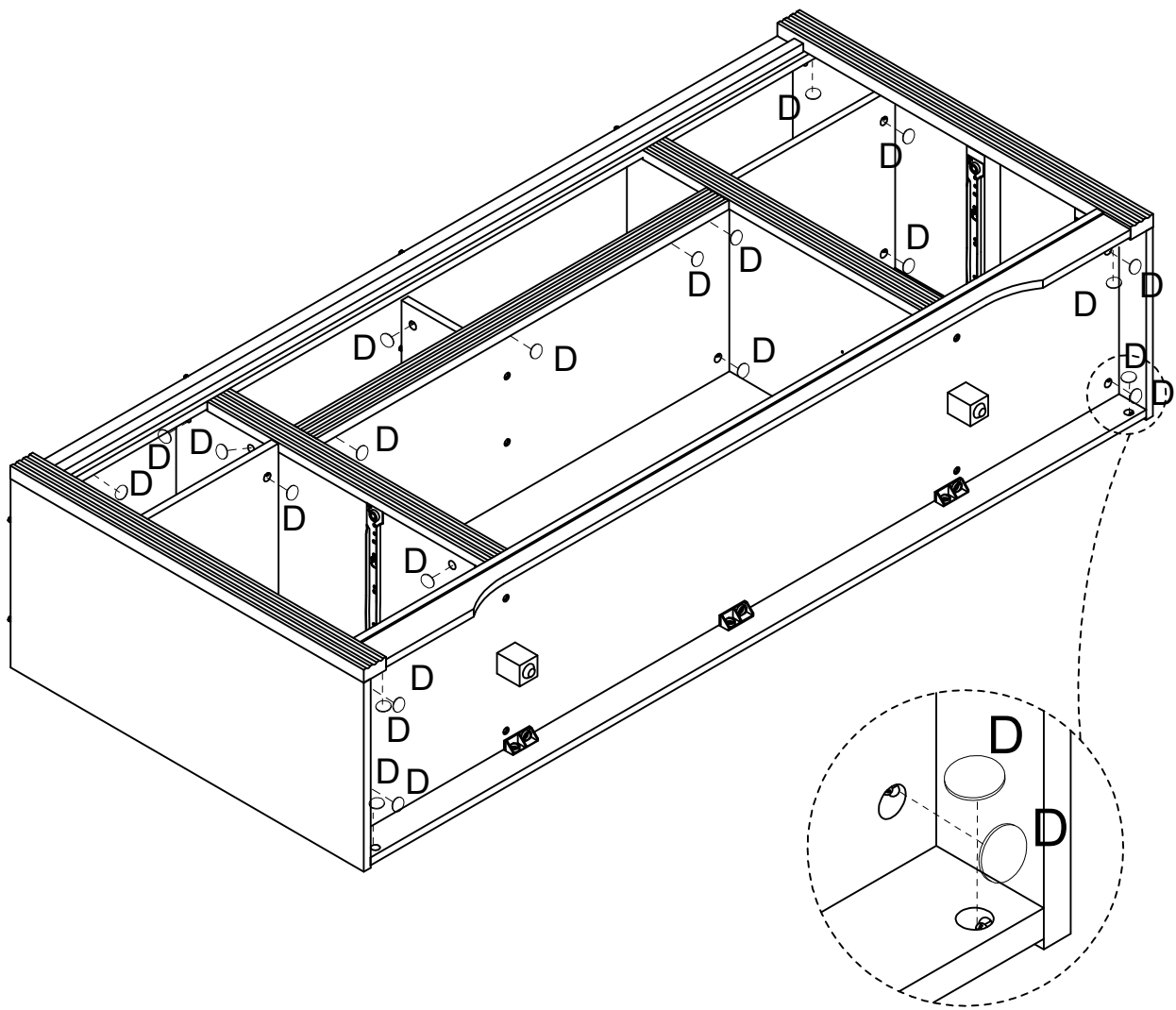
C

X1

Step 22



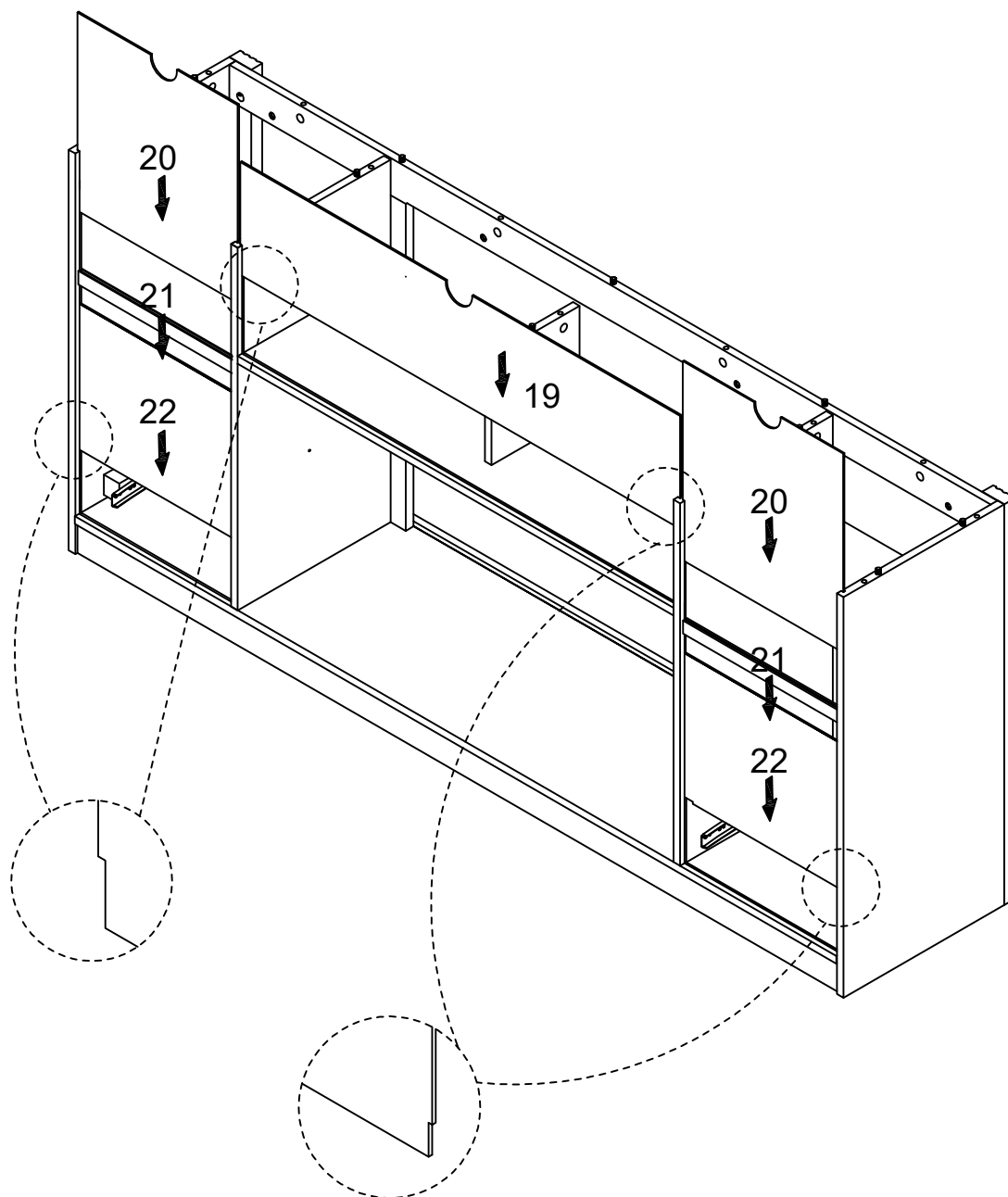
C
X7

Step 23

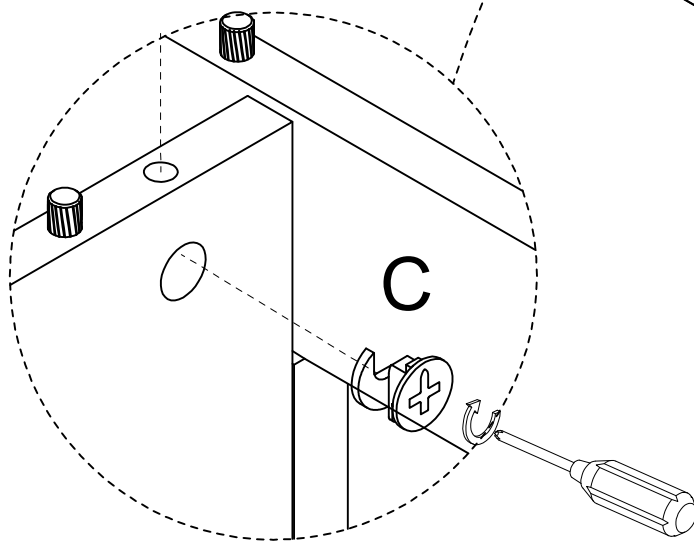
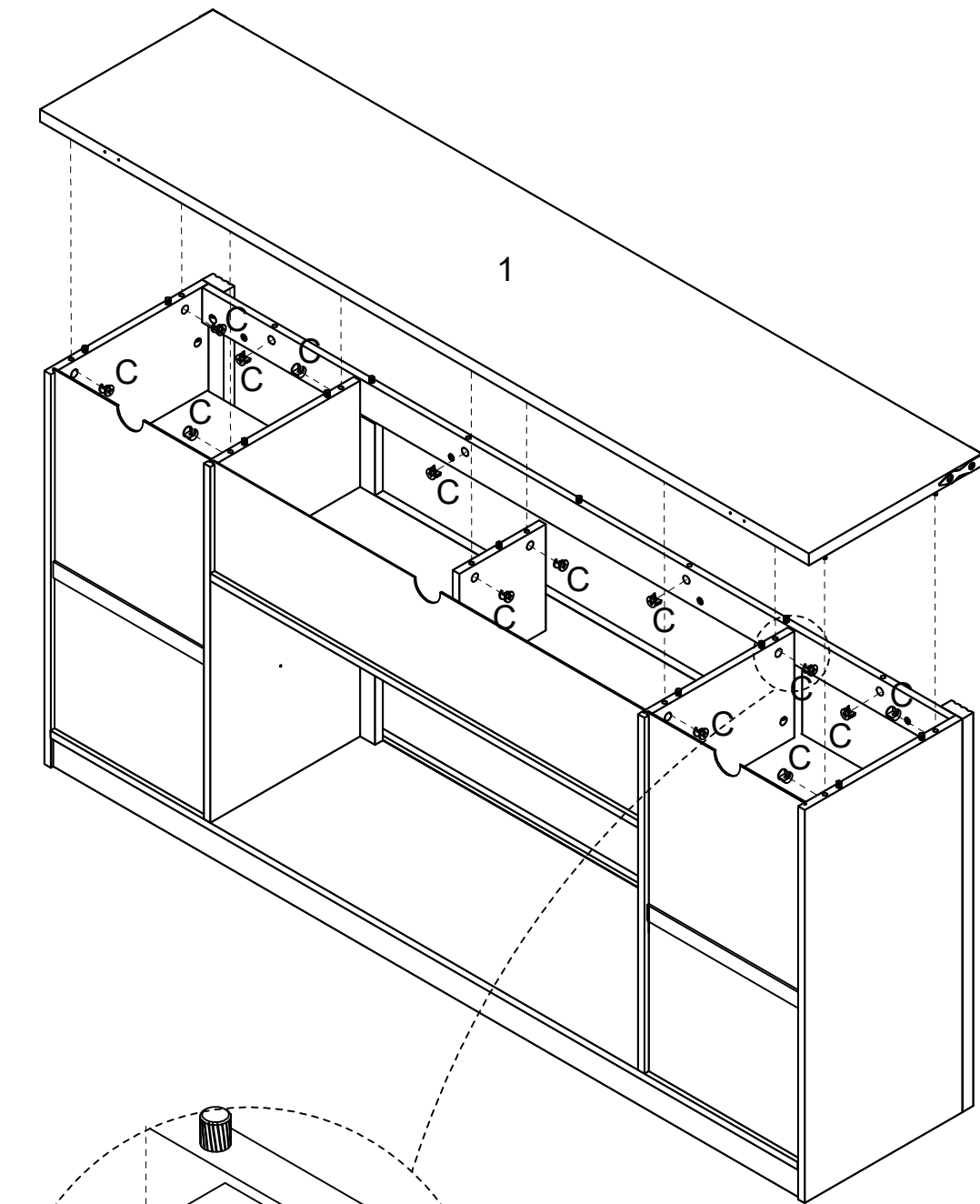
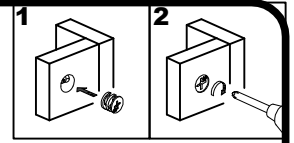



D
O
X49

Step 24

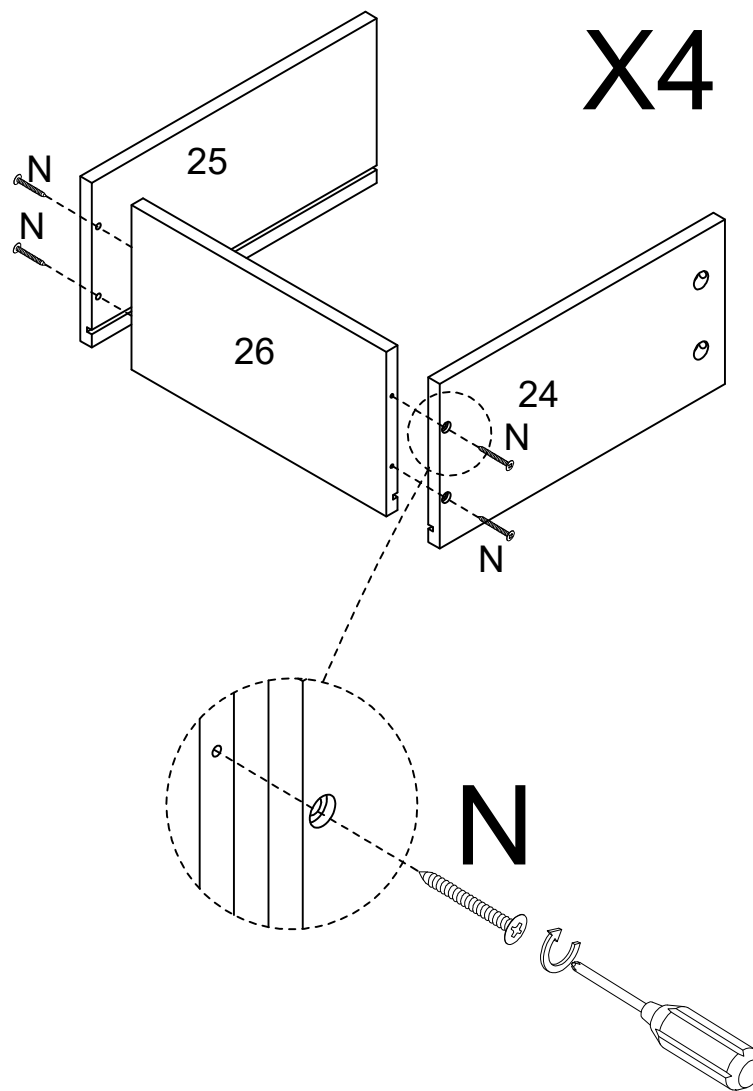


Step 25




C

X14

Step 26

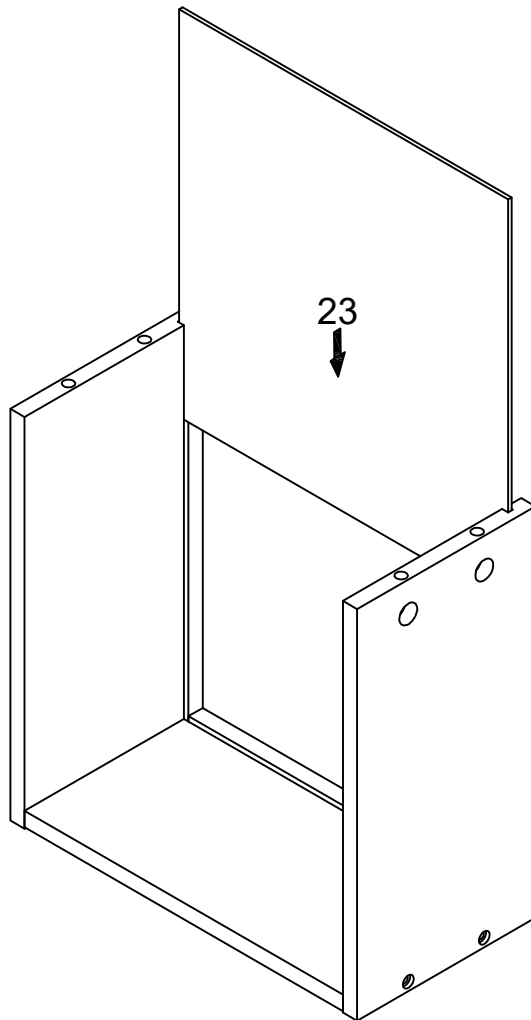


X4

N

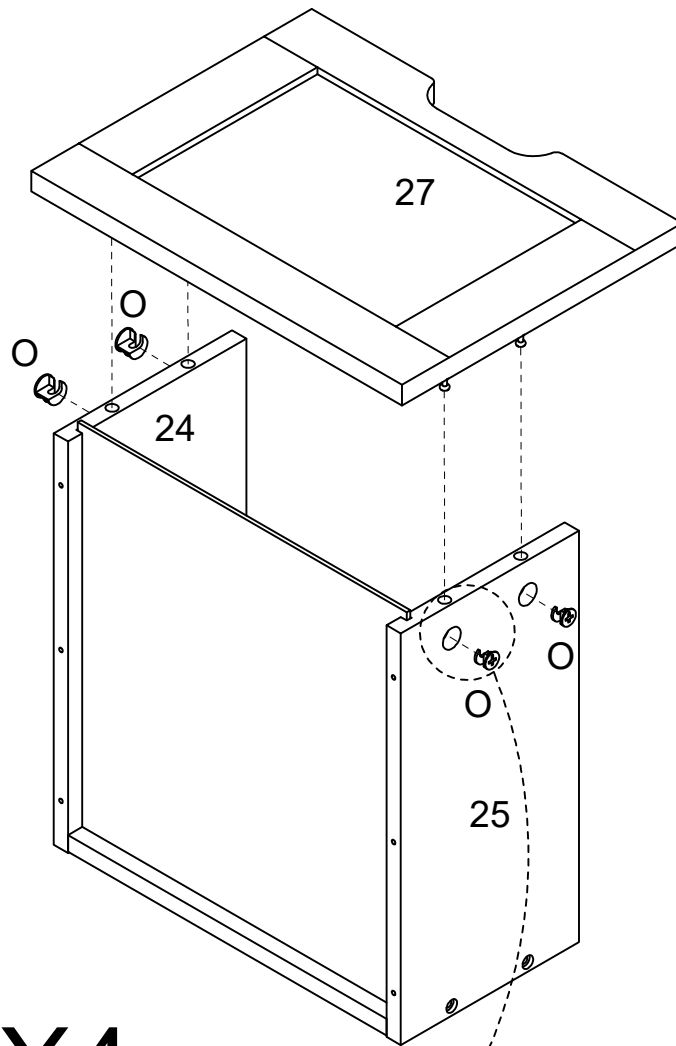
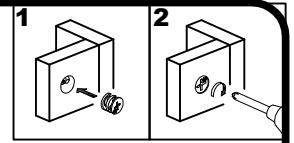
N

X16

Step 27

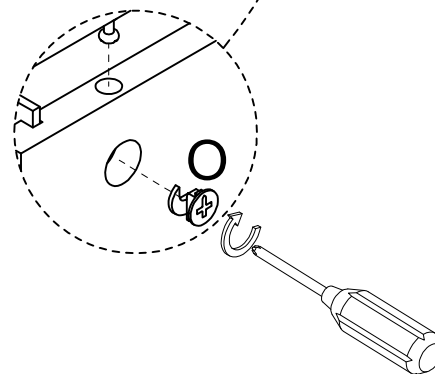


X4

Step 28



X4



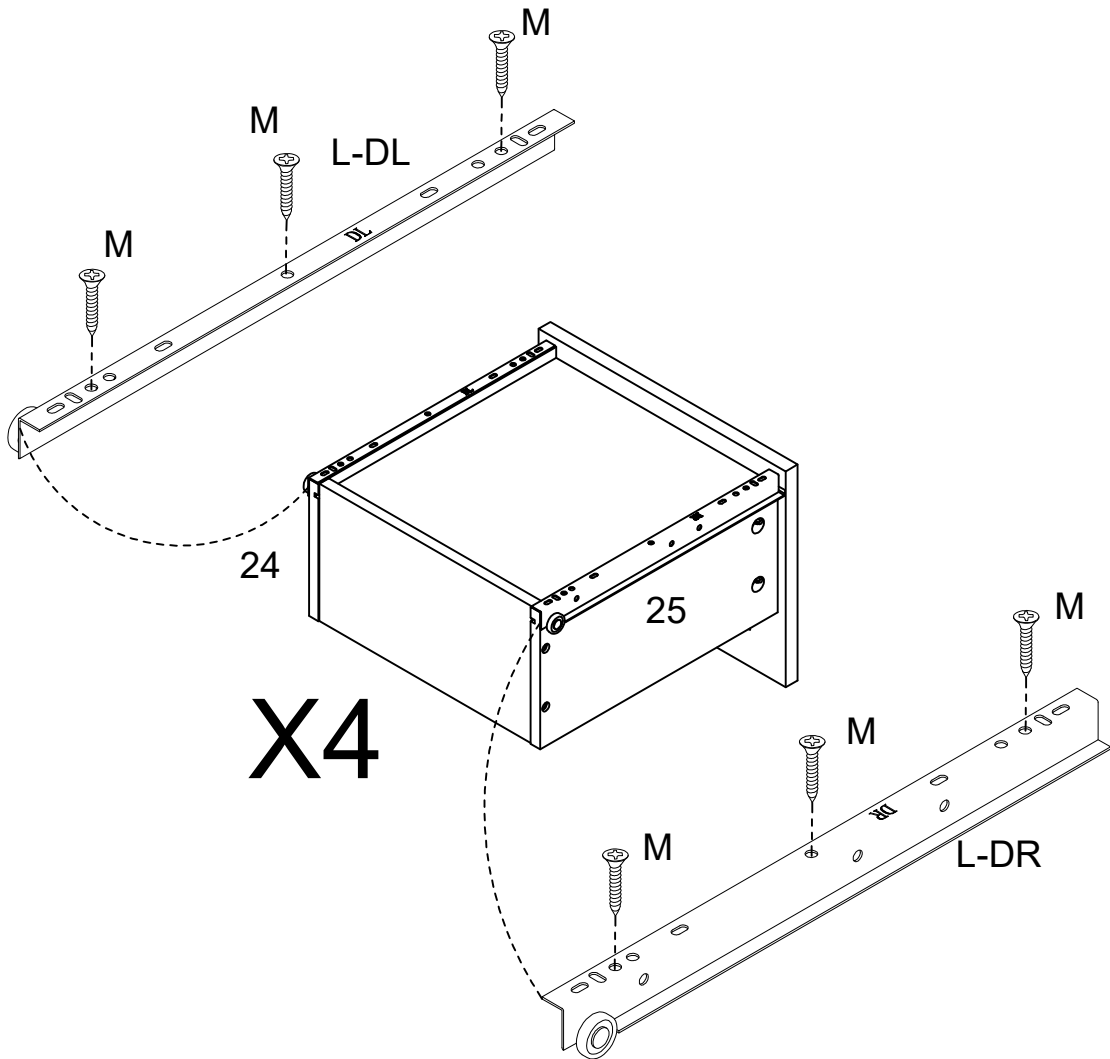
○
⊕
X16

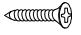
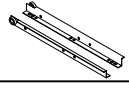
Step 29



NOTE:

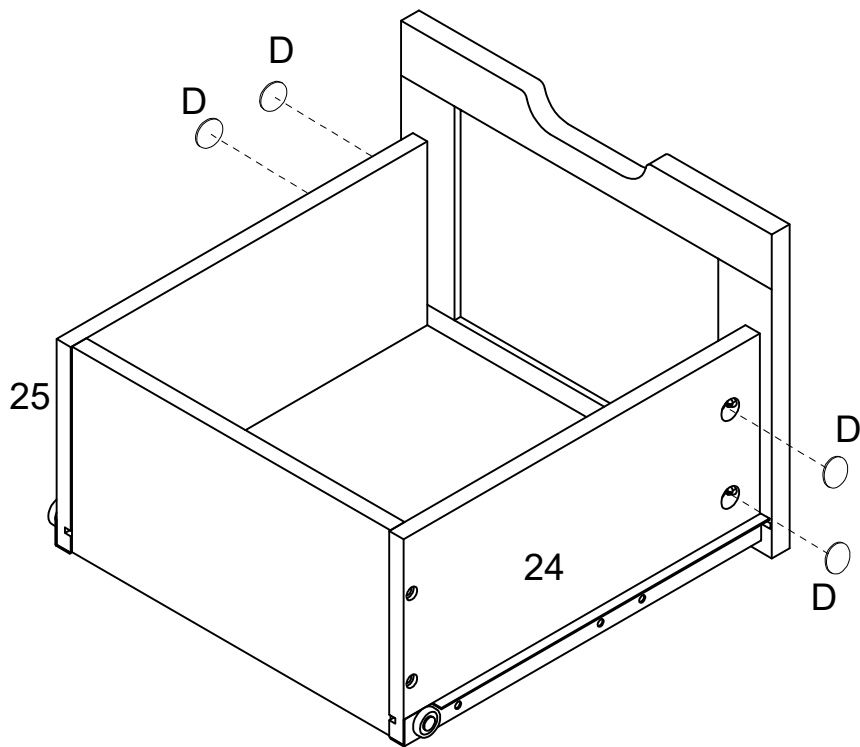
Refer to the images to identify L-DL (left) and L-DR (right). Attach L-DL to #24 panel and L-DR to #25 panel. [M] screws must go in the exact spots shown.




M	L
	
X24	X4

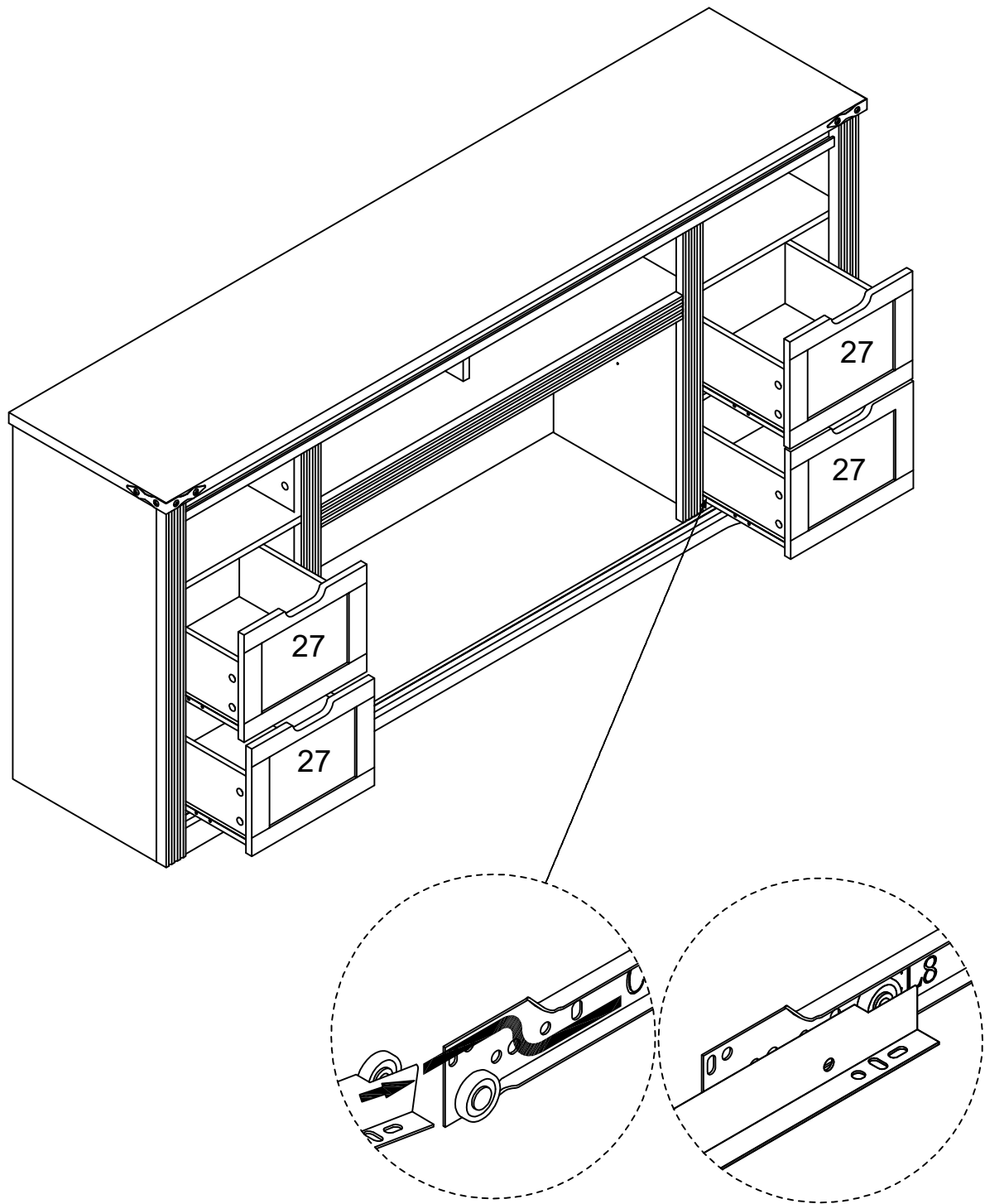
Step 30

X4

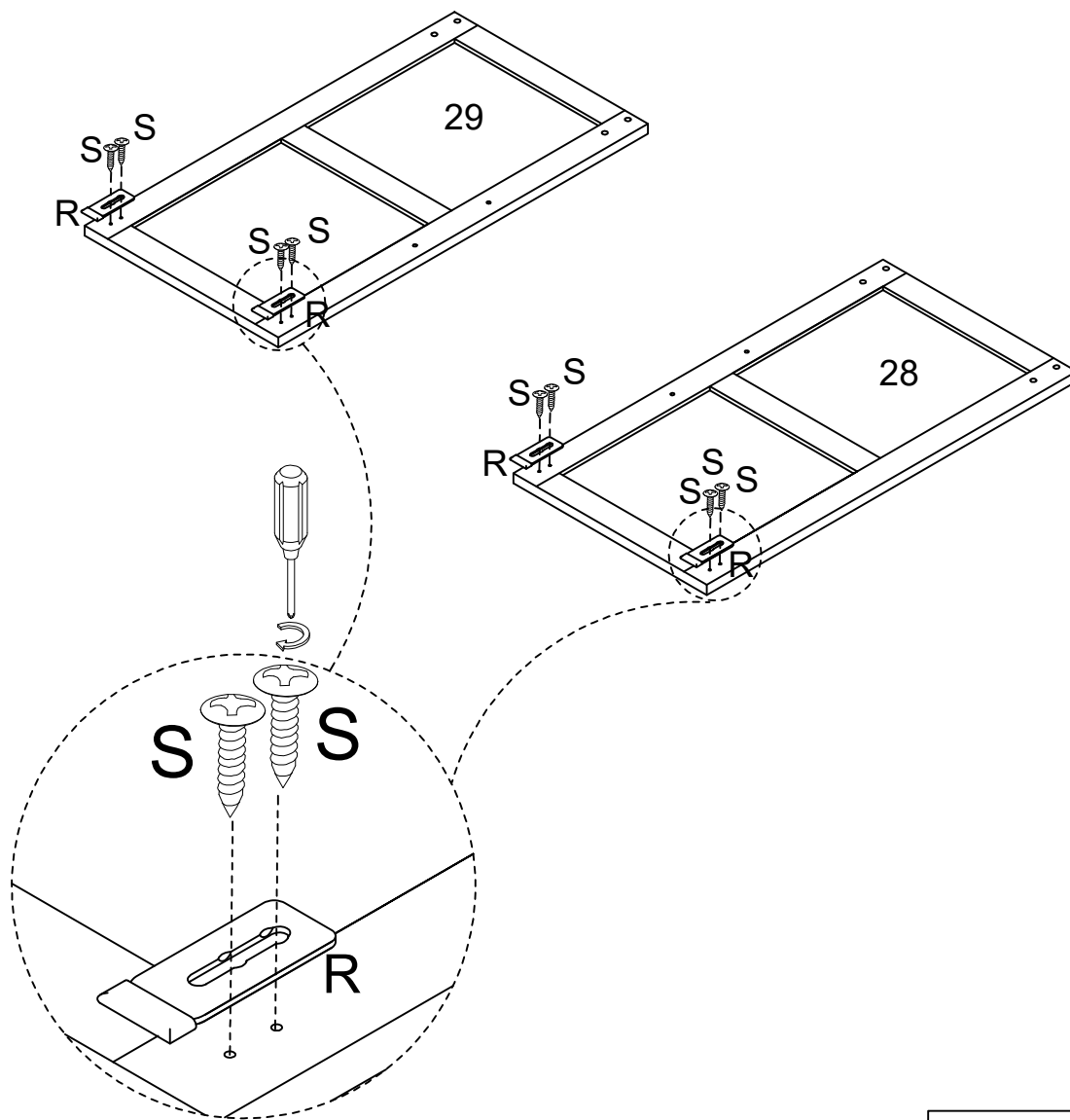




D

X16

Step 31

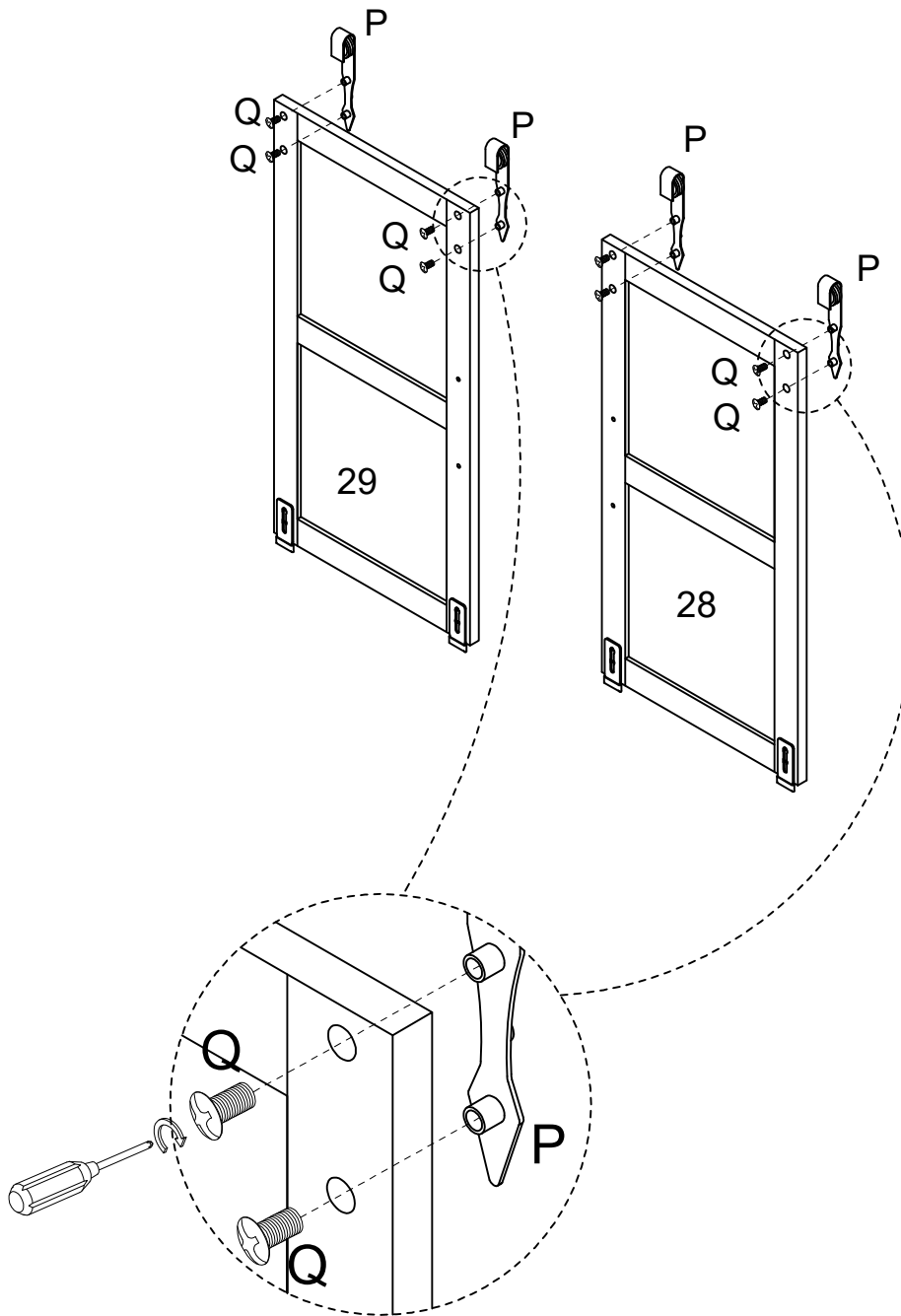




Step 32



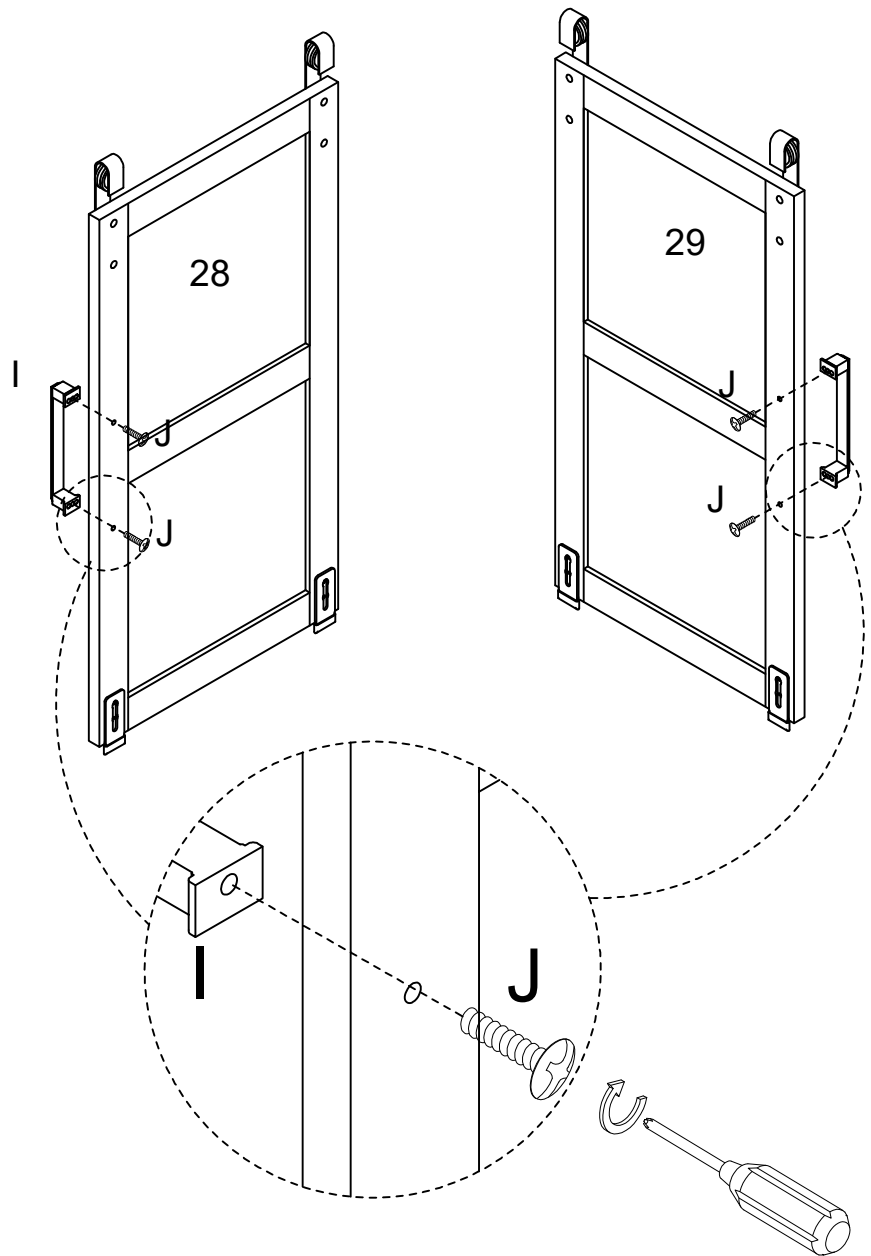
S	R
	
X8	X4



Step 33



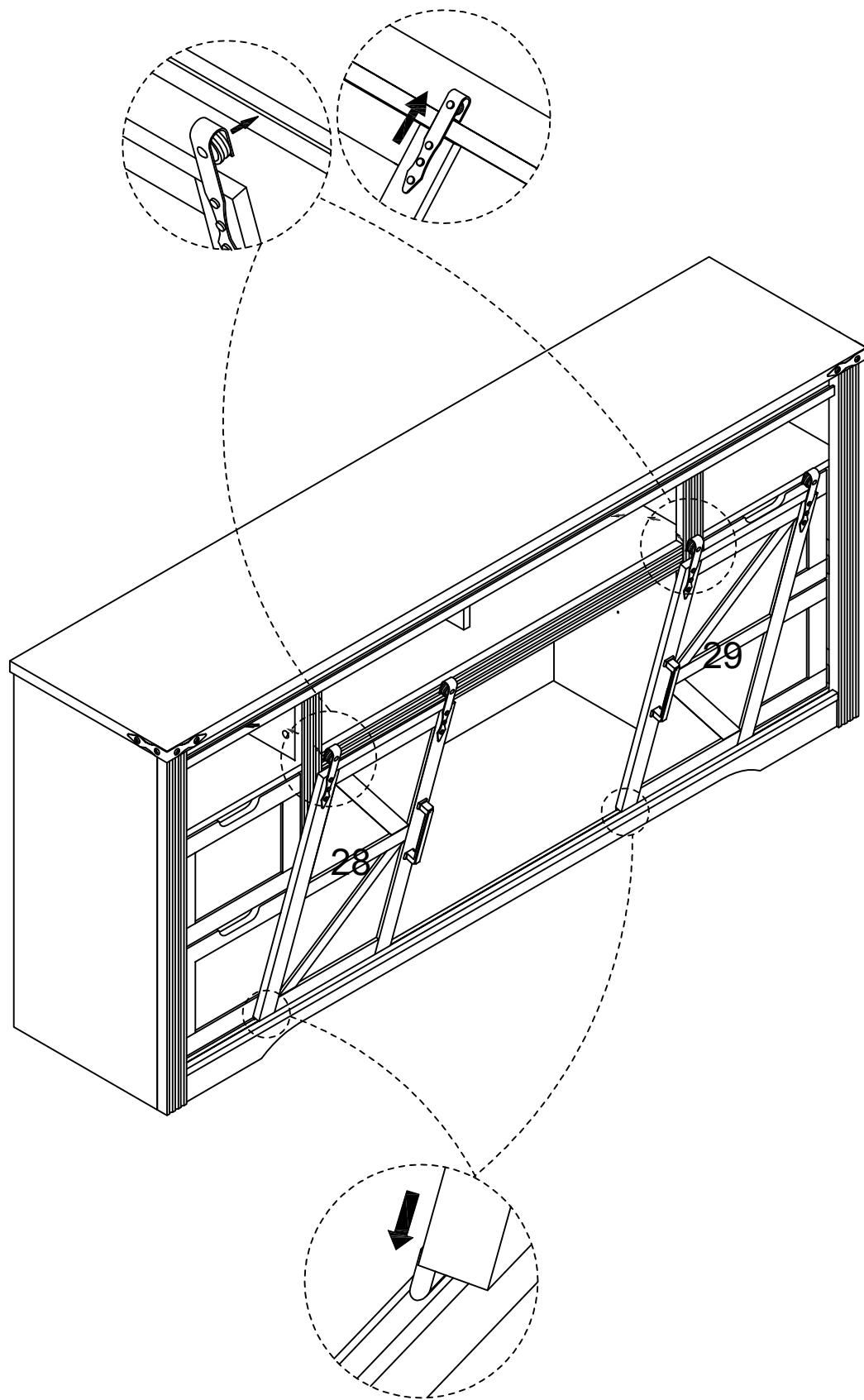
Q	P
	
X8	X4

Step 34

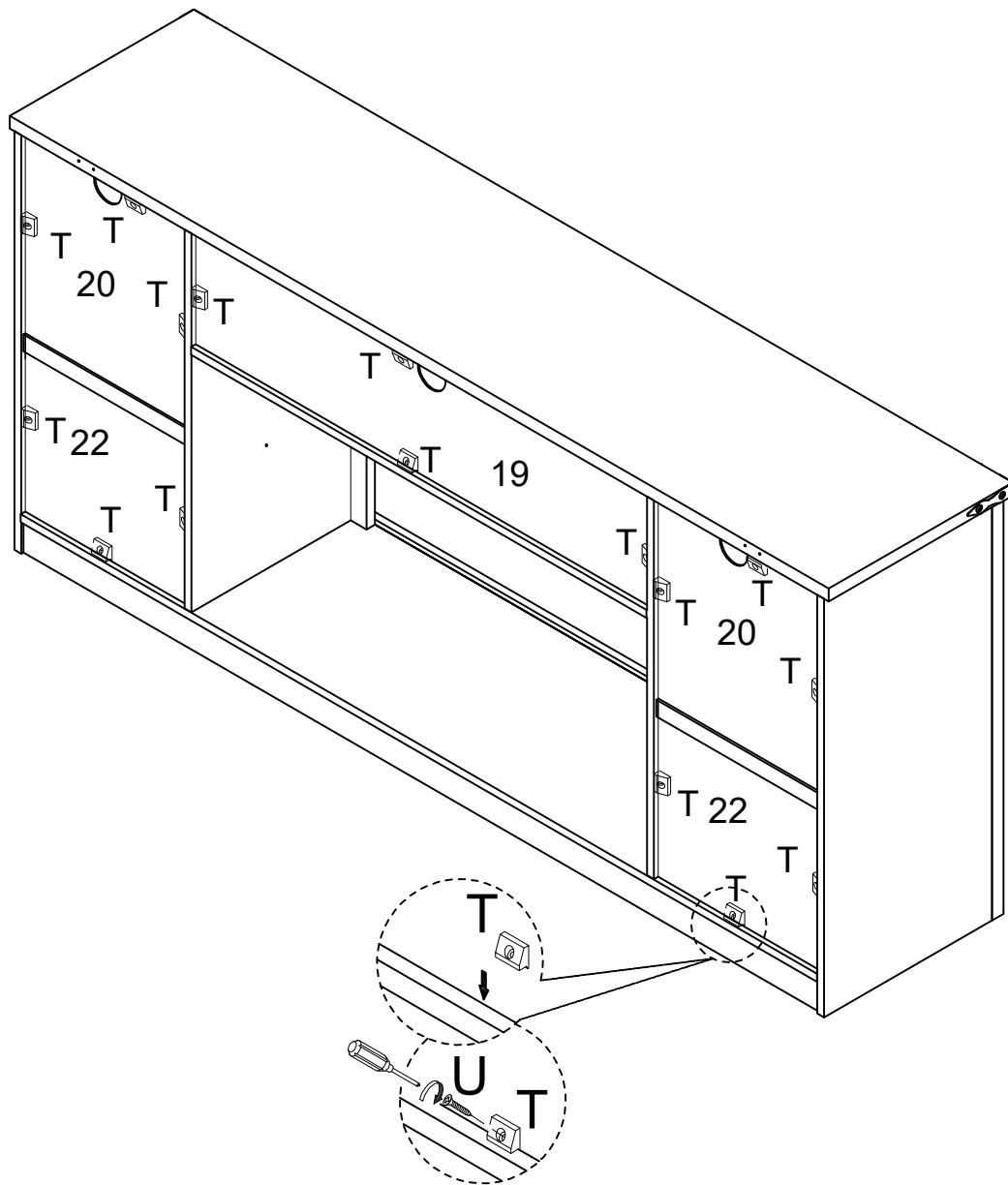




J	I
	
X4	X2

Step 35

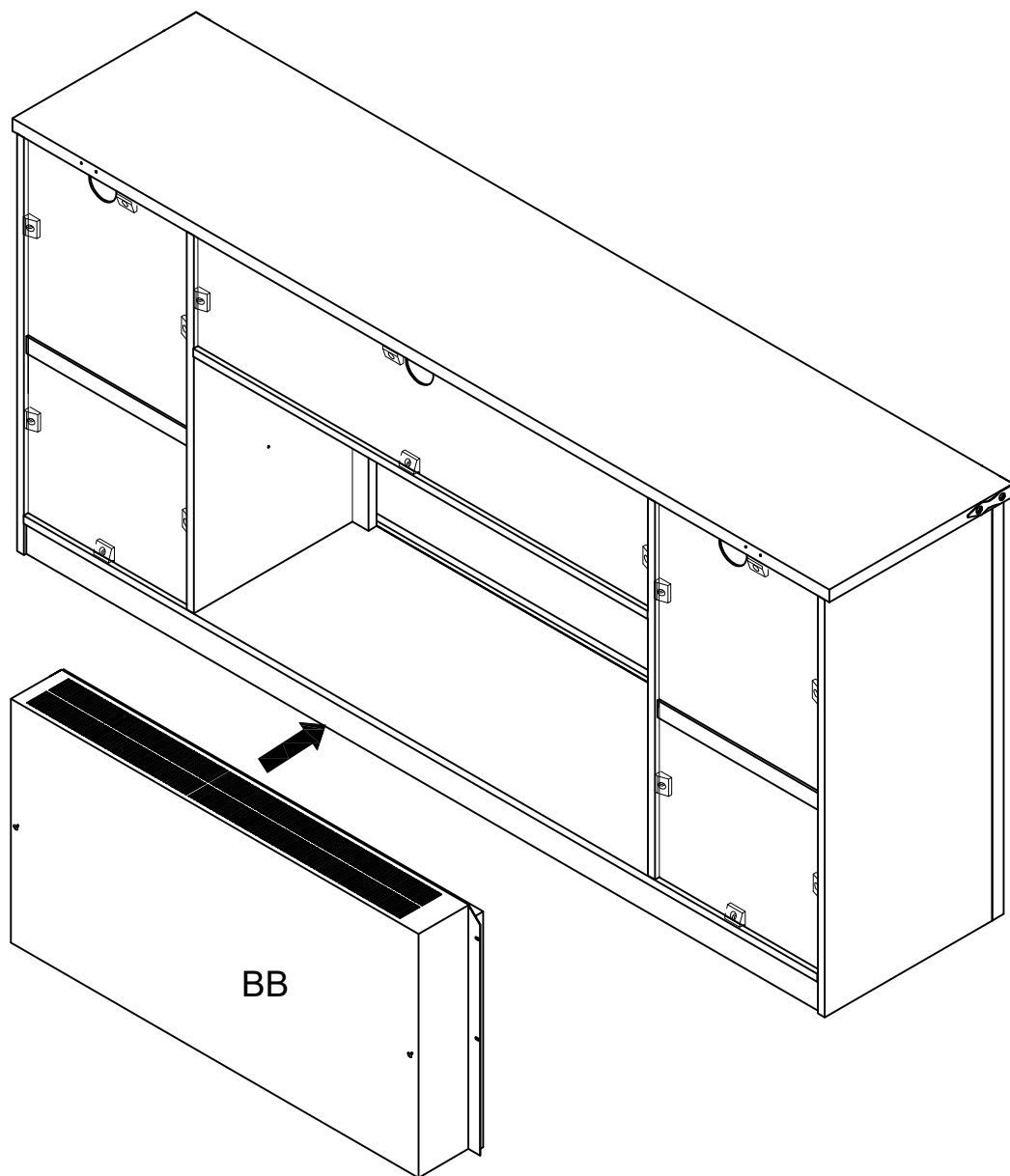


Step 36

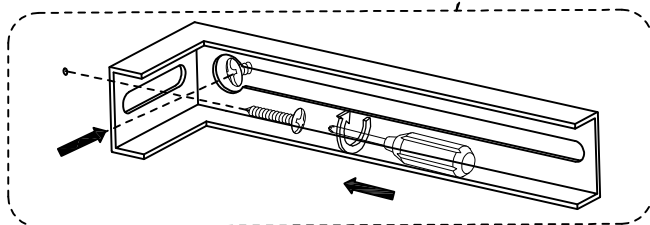
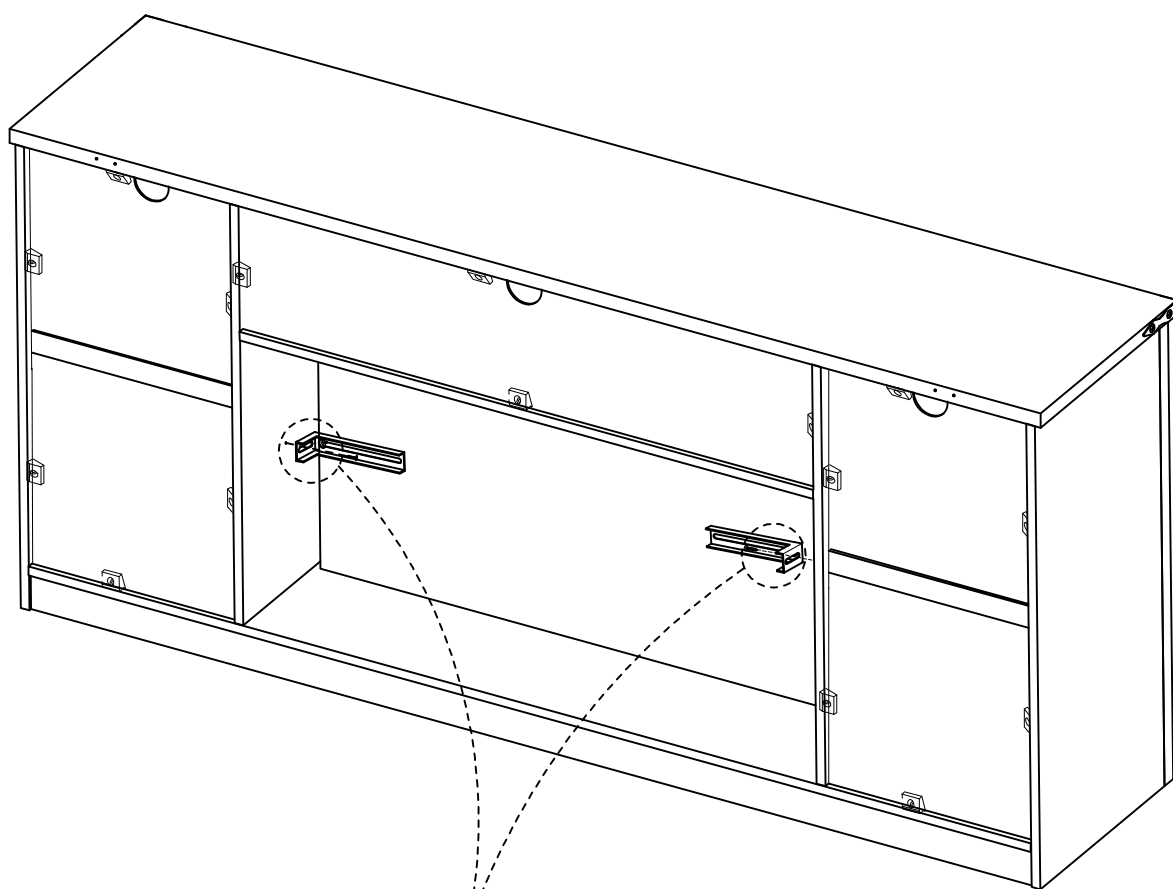


U	T
	
X16	X16

Step 37

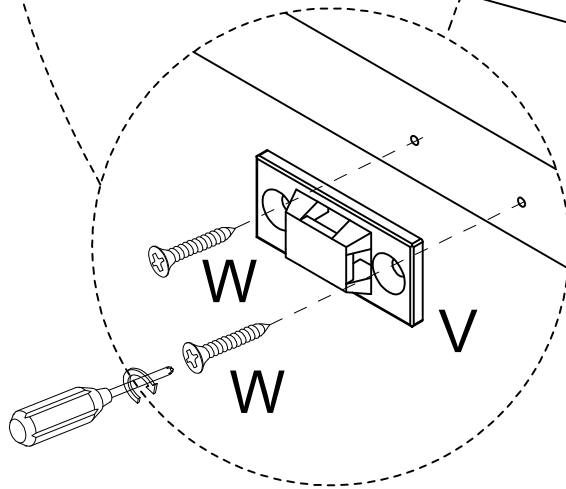
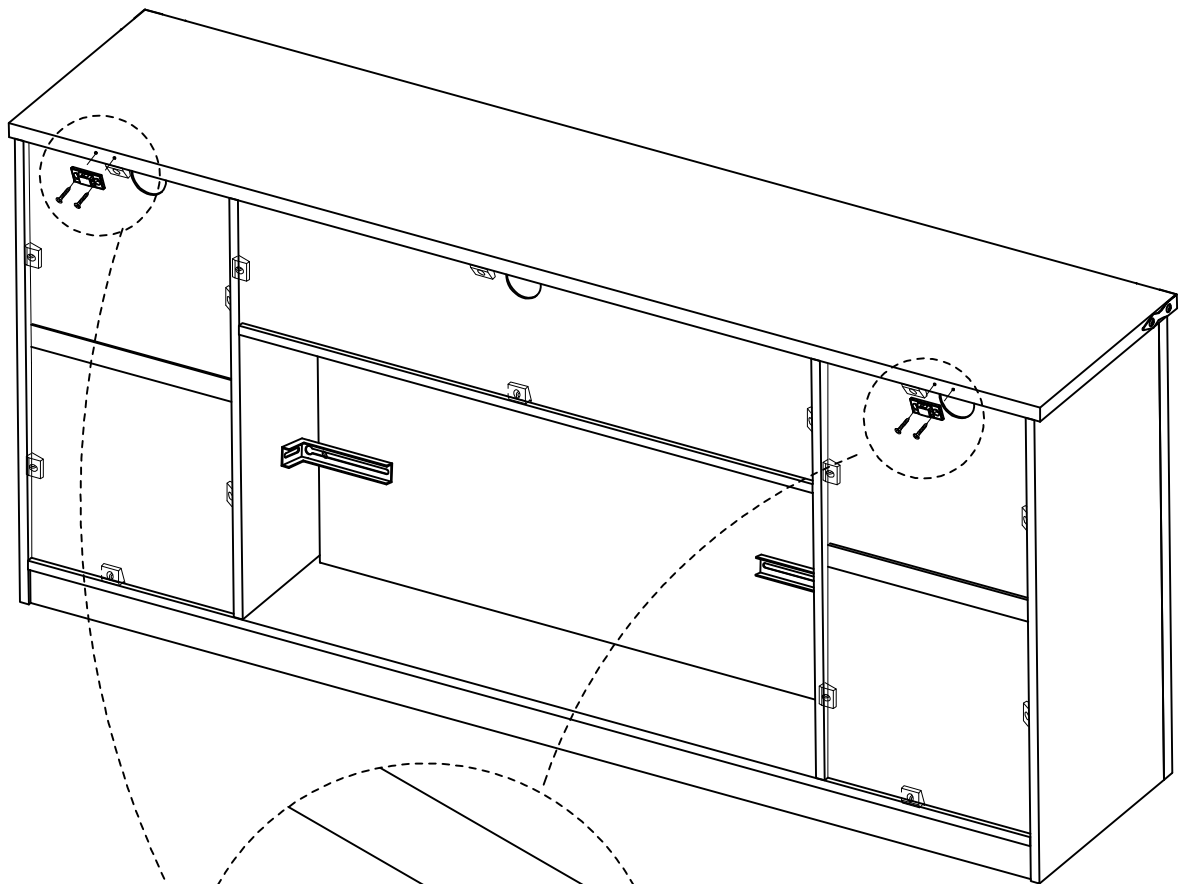




Step 38



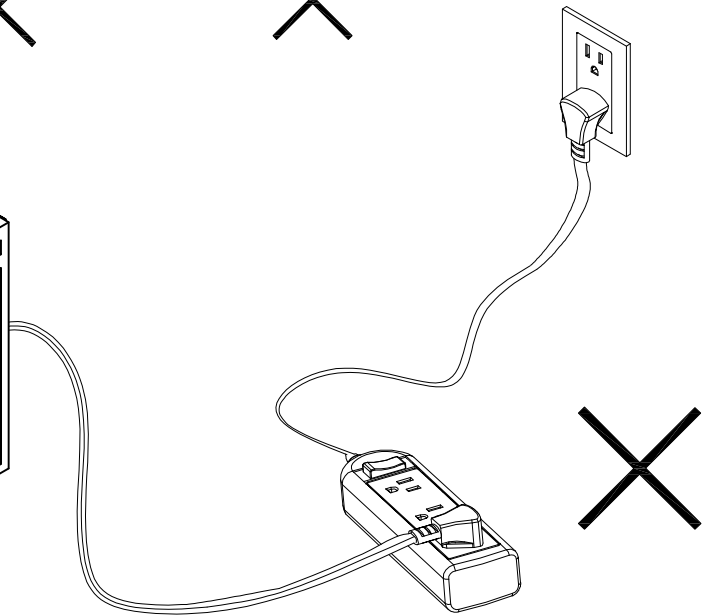
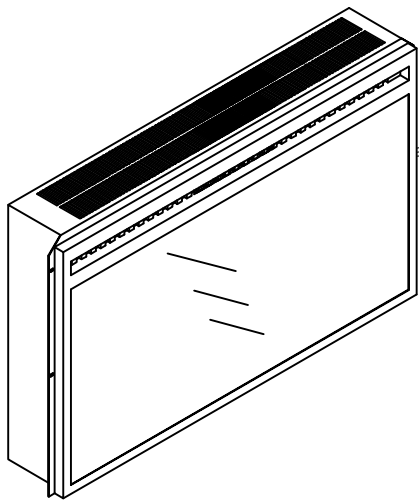
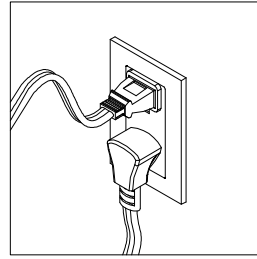
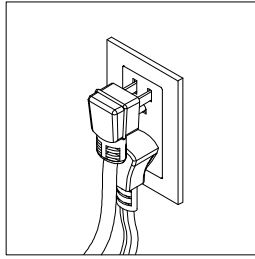
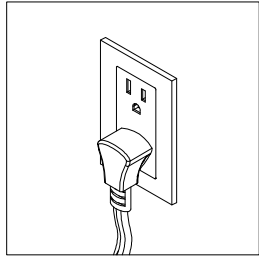
The fireplace blocking parts are in the B packing box, please refer to the fireplace installation instructions for installation steps

Step 39



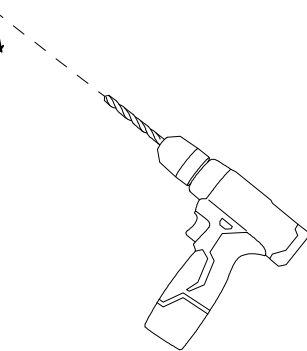
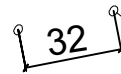
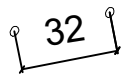
W	V
	
X4	X2

Step 40

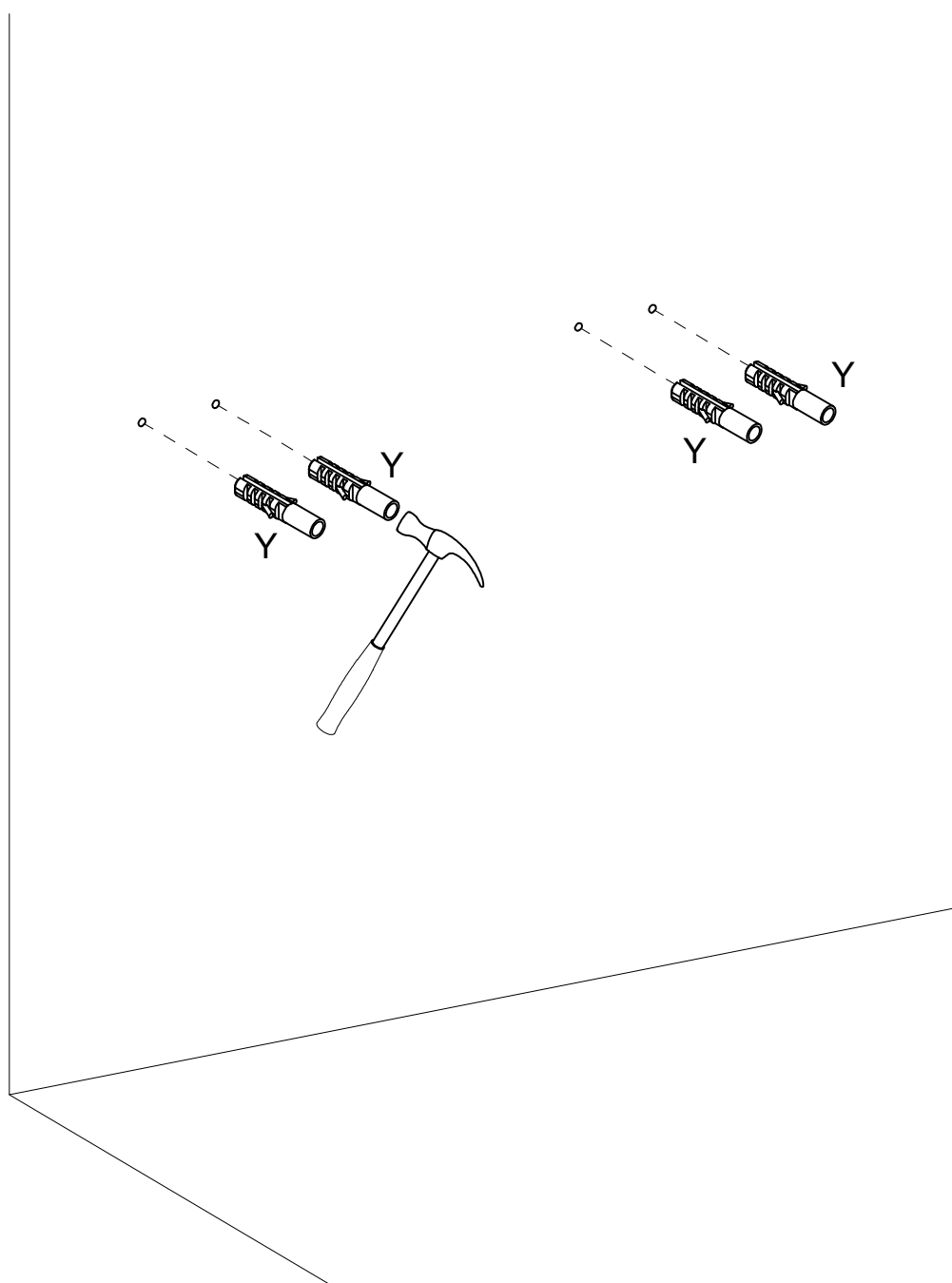



Step 41

Make Four holes 45MM deep

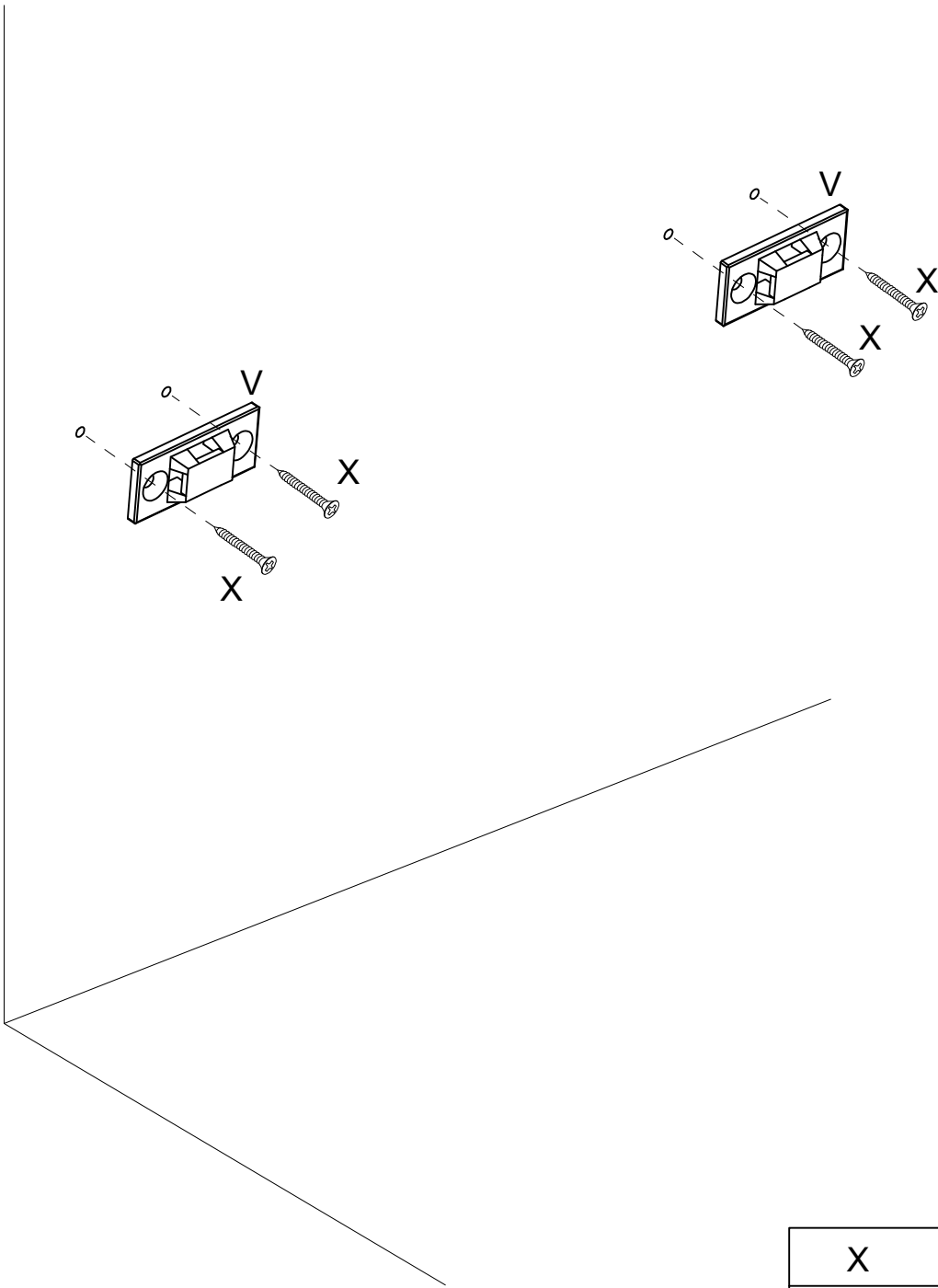




Step 42



Y

X4

Step 43



X	V
	
X4	X2

Step 45

