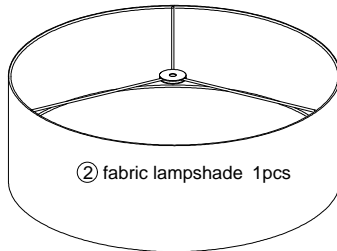
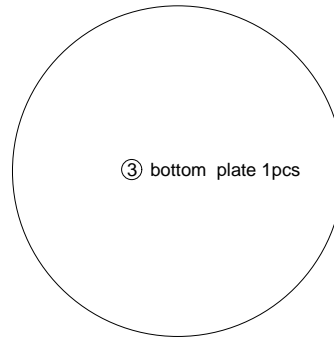


① metal lampshade 1pcs



② fabric lampshade 1pcs



③ bottom plate 1pcs



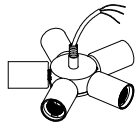
X 1PCS



X 3PCS



X 3PCS



④ light fixture 1pcs



⑥ short hanging tube 1pcs



⑤ threaded rod 1pcs



⑧ threaded rod 4pcs

⑦ long hanging tube 4pcs



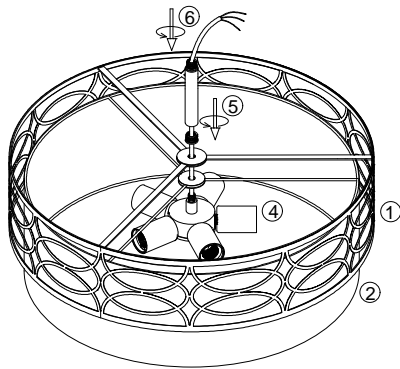
⑩ carabiner hook screw connection 1pcs

⑨ hanging tube 1pcs

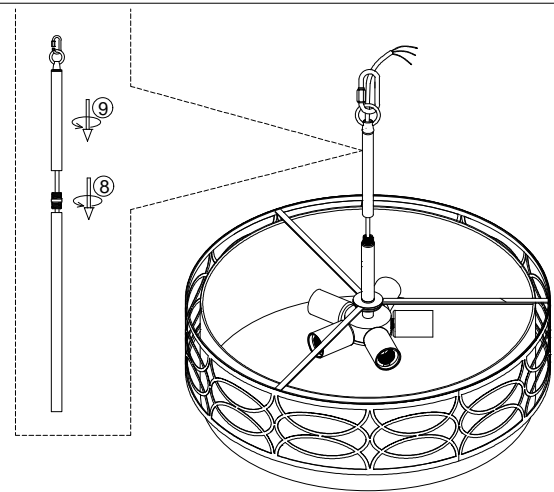


⑪ canopy 1pcs

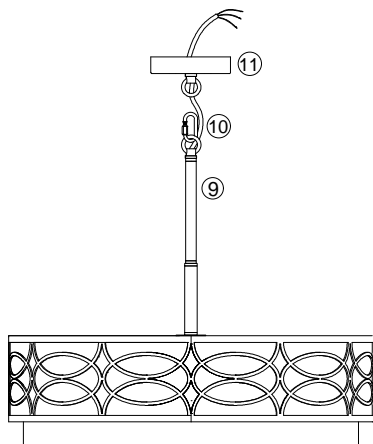
⑫ cap nut 2pcs



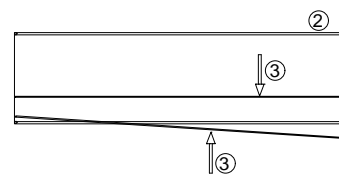
1. Let the wire of the fixture ④ go through the fabric lampshade ②, metal lampshade ①, threaded rod ⑤ and hanging tube ⑥, rotate to fasten all parts to the fixture.



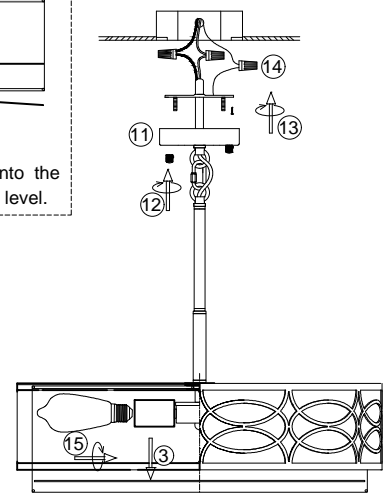
2. Let the wire go through the hanging tube ⑨, rotate to install the tube ⑨ to the fixture.



3. Hang the fixture to the canopy ⑪ with carabiner hook screw connection ⑩, let the wire go through the ring and canopy ⑪.



Put the bottom plate ③ at an angle into the fabric lampshade ②, then adjust it to level.



4. Install the bracket to the ceiling junction box with screw ⑬.
 5. Connect the wire to your home line with cap connector ⑭.
 6. Install the fixture to the bracket with cap nut ⑫.
 7. Install the bulb ⑮ and close with the bottom plate ③, installation finish.

Please read carefully before installation!!!

Note : Please make sure that the electricity is powered off during installation !

Only a professional electrician should install this kind of product !