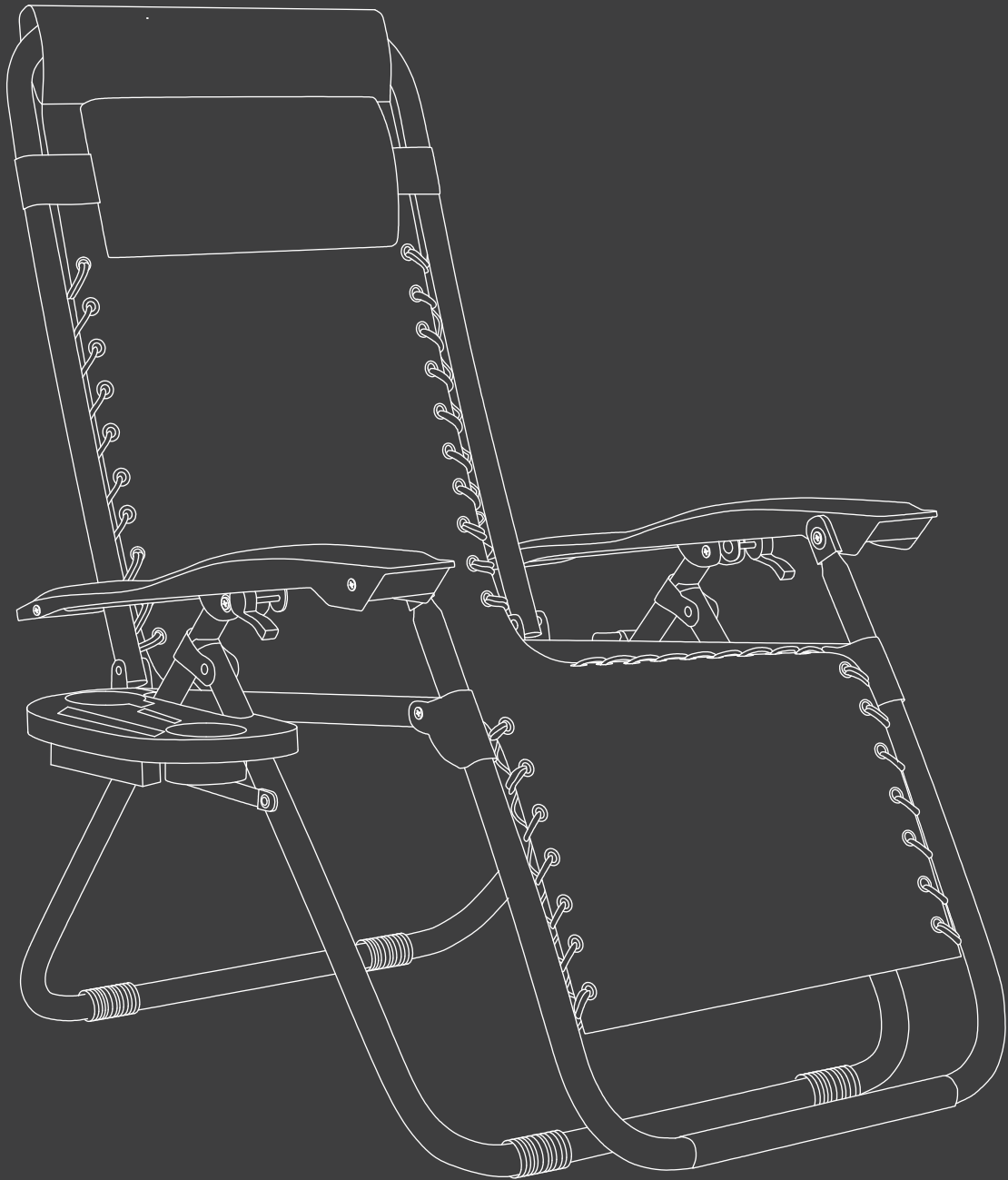


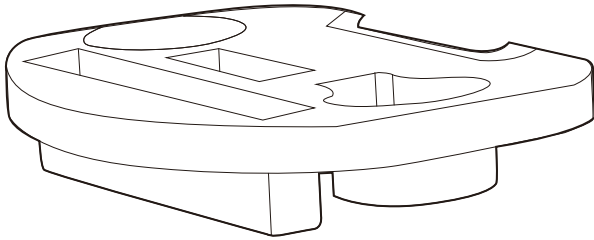
Chair

Instruction Manual



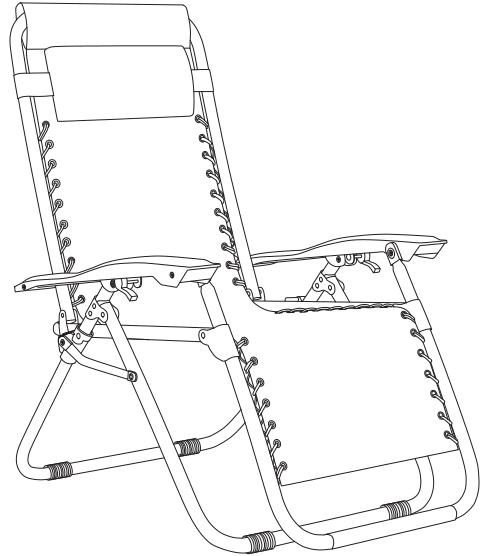
1 Package List

A X1



Tray

B X1



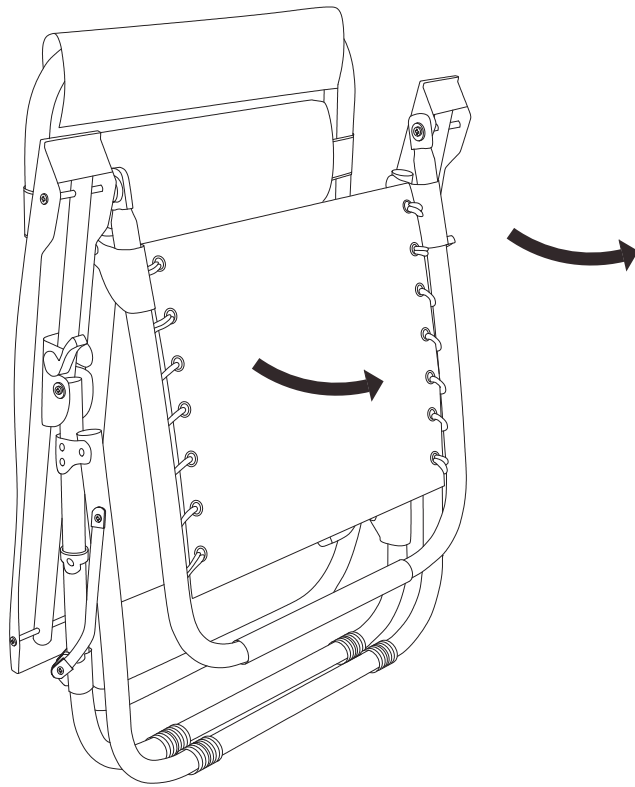
Zero Gravity Chair

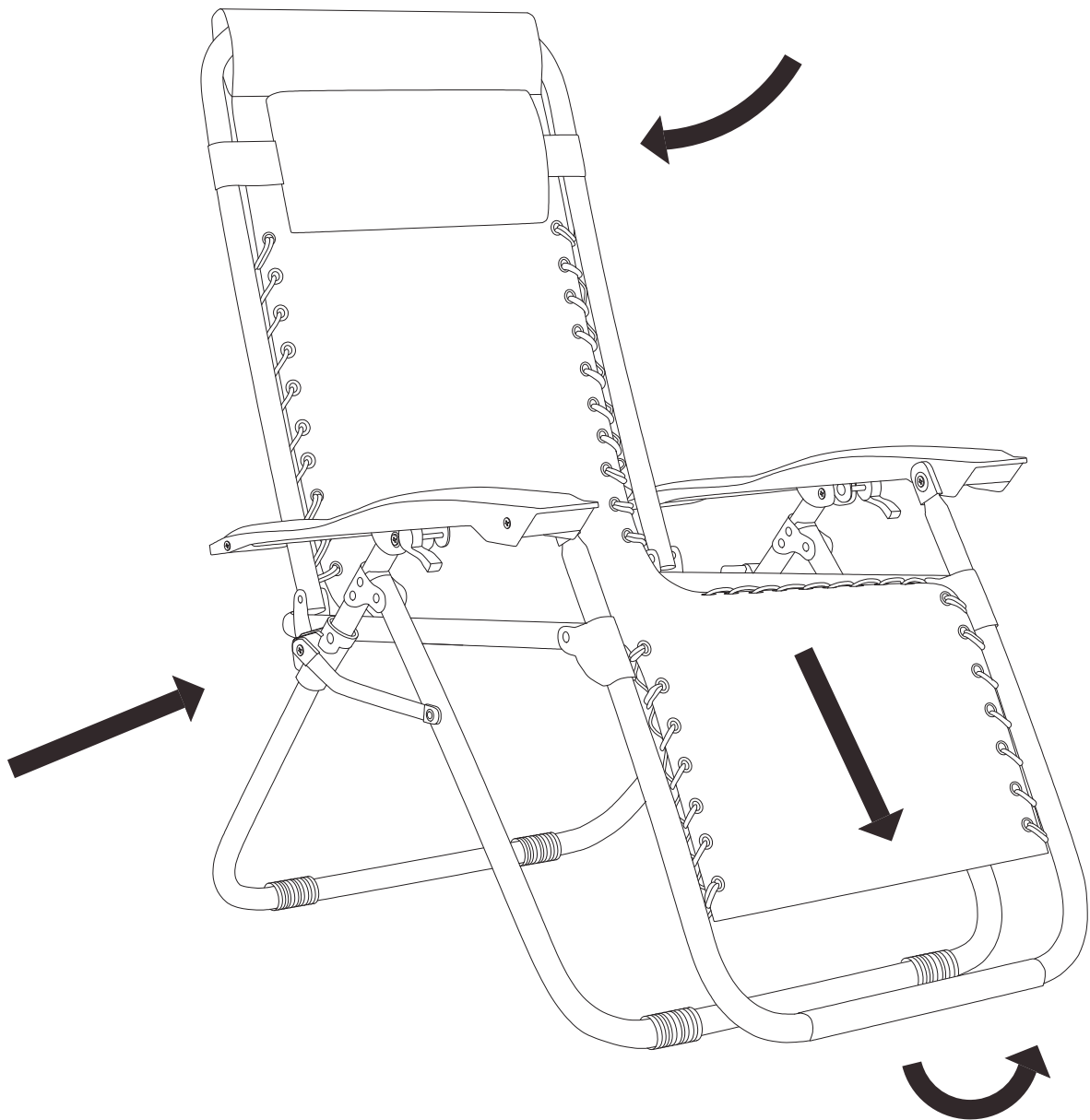


NOTE:

- Please do not exceed the weight limitations of this item.
- Do not stand on or use any part of this item as a step ladder.
- Do not use or store this item in the proximity of open flame or flammable/combustible chemicals.
- If any parts are missing, broken, damaged, or worn, stop using this product until repairs are made and/or factory replacement parts are installed.
- Do not use this item in a way inconsistent with the manufacturer 's instructions as this could void the product warranty.
- For residential use only.
- During the folding and opening process, pay attention to the joints to avoid pinching and other situations.

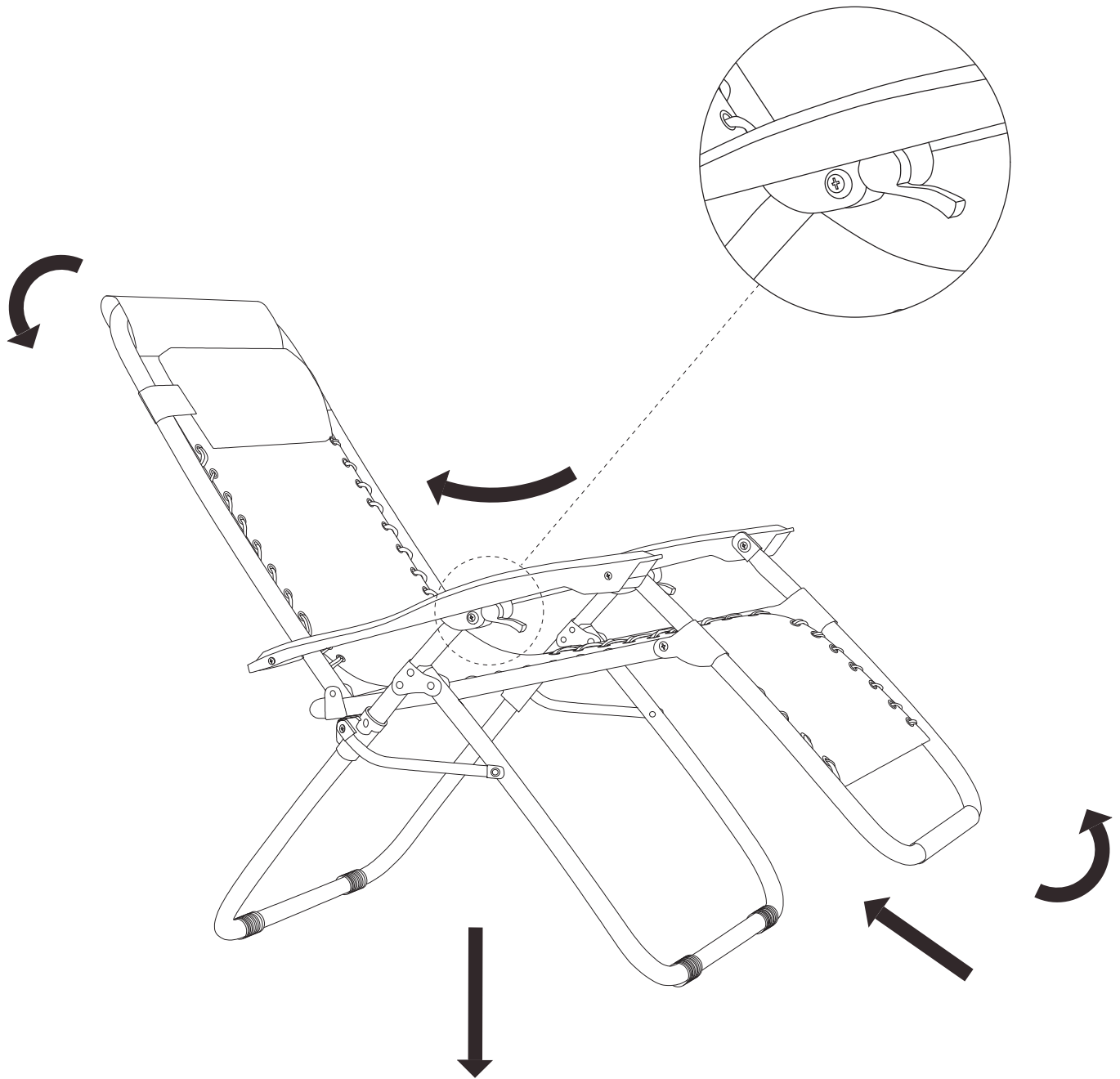
Step 1





Pull open the chair to spread apart the chair legs.

Step 2



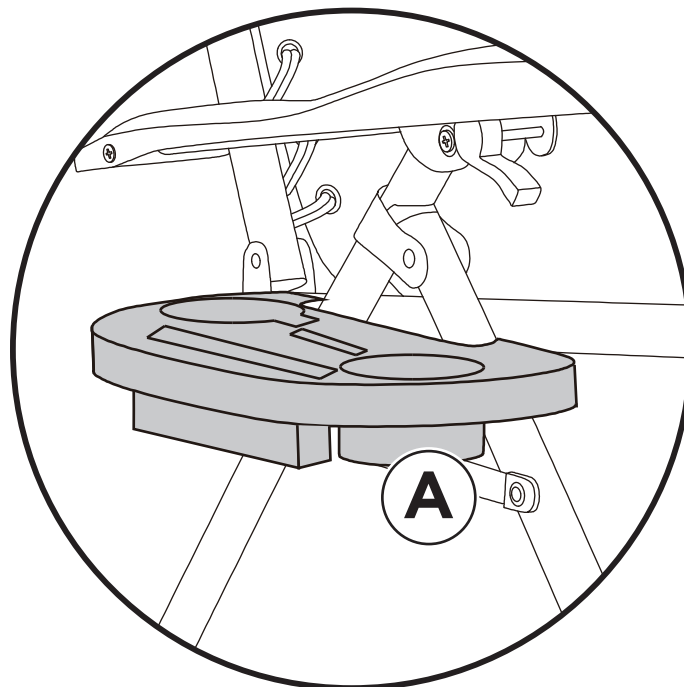
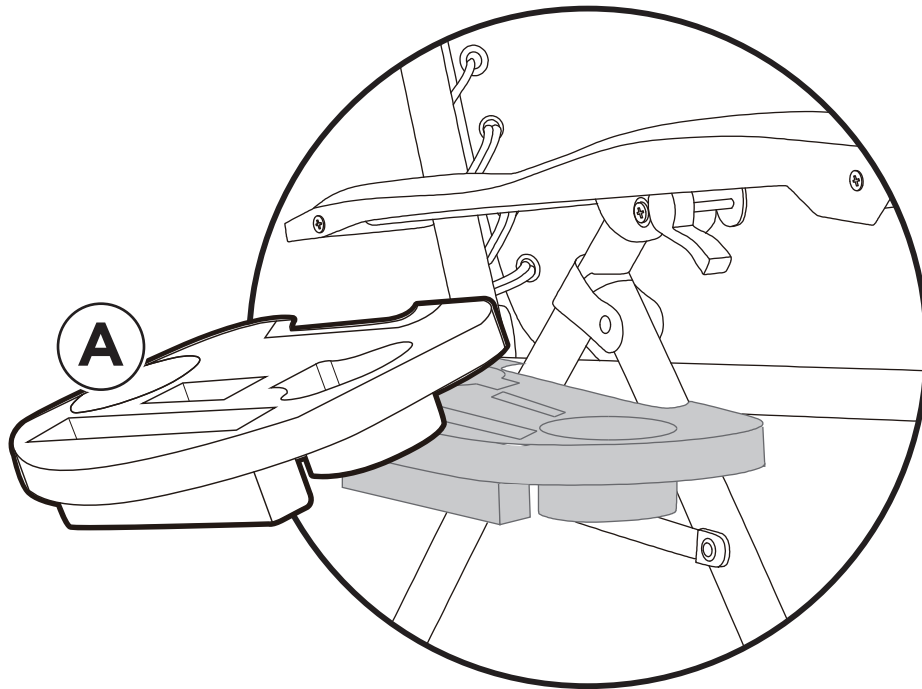
Loosen the handles on both sides and tilt the chair.
Lock the handle where you want it.

Step 3



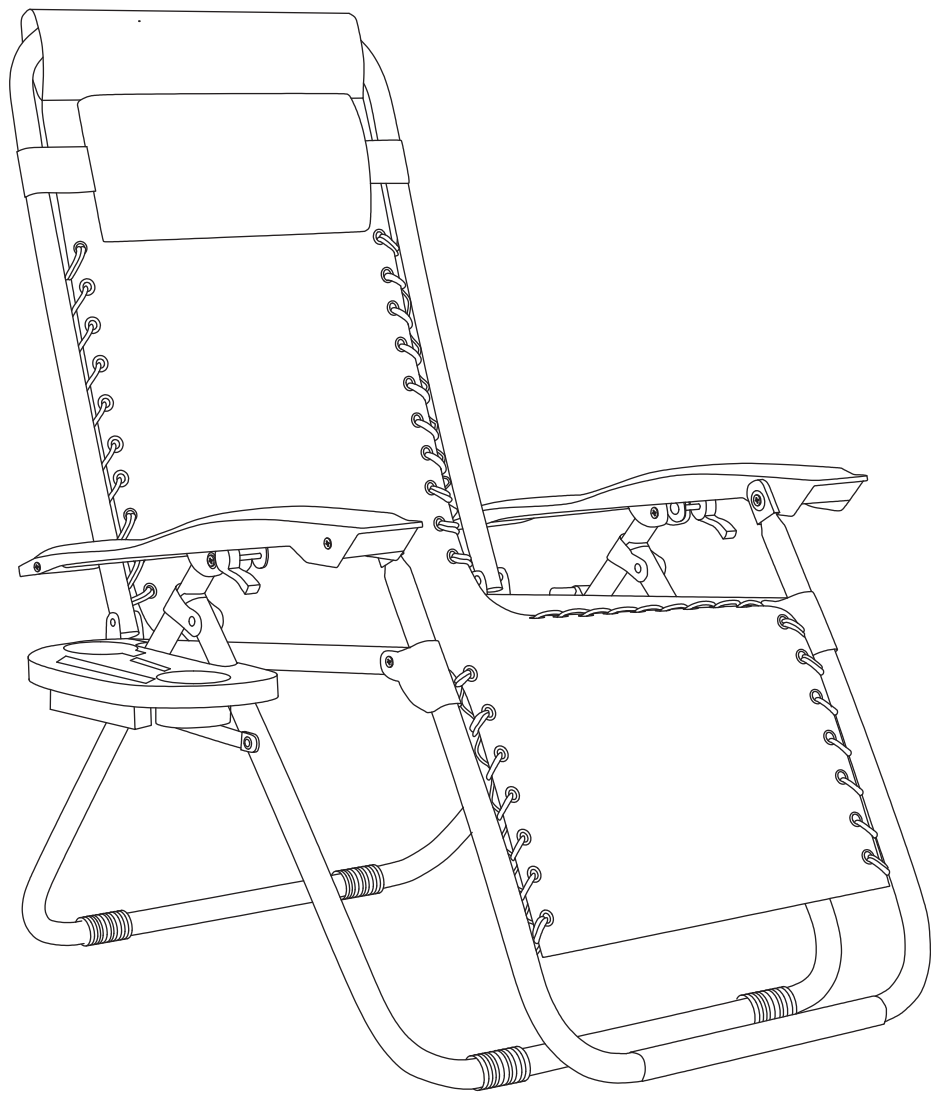
To return to the upright position, release the handles, place your feet on the back chair legs, and push the backrest upright.

Step 4



To install the Tray, slide the Tray over the leg chain and push down to lock it in place.

NOTE: Remove the tray before folding the chair.



Thank you for choosing this product. We strive to provide you with the best quality products and services in the industry. Should you have any issues, please don't hesitate to contact us.