

Size of Mattress and Foundation

The length and width of the upper and lower bunk mattress and foundation are as follows :

<u>Size</u>	<u>Length</u>	<u>Width</u>	<u>Thickness</u>
Twin	74" - 75"	37 ½" - 38 ½"	9 ½" max
Full	74" - 75"	52" - 53"	9 ½" max

You must use only this size mattress.

Ensure thickness of upper and lower mattress and foundation combined does not exceed 9 ½" and that the mattress is at least 5" below upper edge of guardrails.

This Bunk Bed uses a slat kit for mattress foundation.

Replacement Parts

Replacement parts, including additional guardrails, may be obtained from any affurnishings dealer



SAFETY WARNINGS



- (1) Follow the information on the warnings appearing on the upper bunk end structure and on the carton. Do not remove warning label from bed.
- (2) Always use the recommended size mattresses or mattress support, or both, to help prevent the likelihood of entrapment or falls.
- (3) Surface of mattress must be at least 5 in. (127mm) below the upper edge of guardrails.
- (4) Do not allow children under 6 years of age to use the upper bunk.
- (5) Periodically check and ensure that the guardrail, ladder, and other components are in their proper position, free from damage, and that all connectors are tight.
- (6) Do not allow horseplay on or under the bed and prohibit jumping on the bed.
- (7) Always use ladder for entering or leaving upper bunk.
- (8) Do not use substitute parts. Contact the manufacturer or dealer for replacement parts.
- (9) Use of a night light may provide added safety precaution for a child using the upper bunk.
- (10) Always use guardrails on both long sides of the upper bunk. If the bunk bed will be placed next to the wall, the guardrail that runs the full length of the bed should be placed against the wall to prevent entrapment between the bed and the wall.
- (11) The use of water or sleep flotation mattresses is prohibited.
- (12) **STRANGULATION HAZARD** : Never attach or hang items to any part of the bunk bed that are not designed for use with the bed; for example, but not limited to, hooks, belts and jump ropes.
- (13) Keep these instructions for future reference.

ASSEMBLY INSTRUCTIONS

(TWIN - TWIN) (TWIN - FULL) (FULL - FULL)

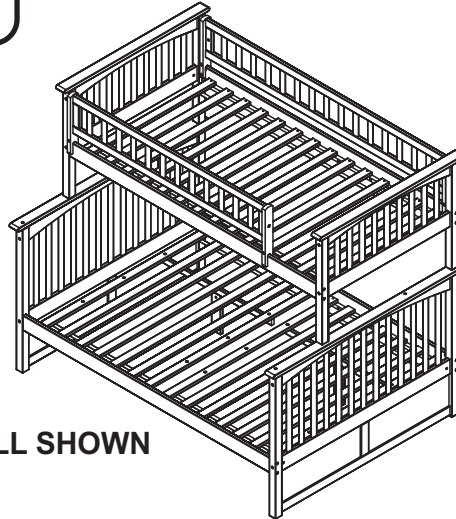
Before assembling your bunk bed, please read through these instructions carefully and familiarize yourself with the different parts.

ATTENTION! If you receive a damaged or defective item, please contact afifurnishings at customerservice@afifurnishings.com or 1-800-955-3726

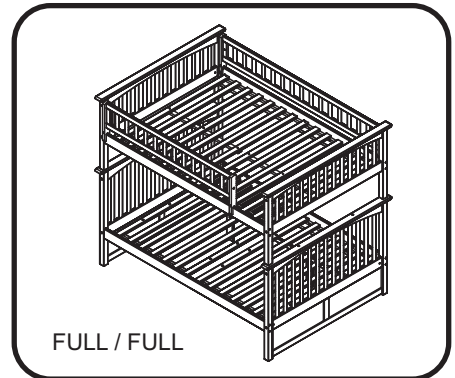
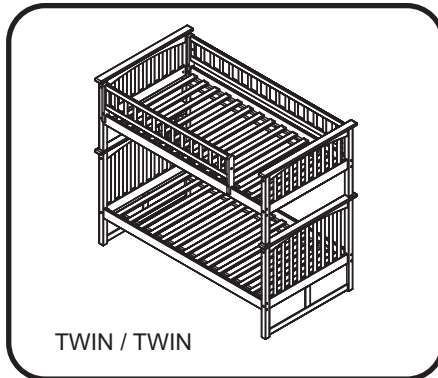
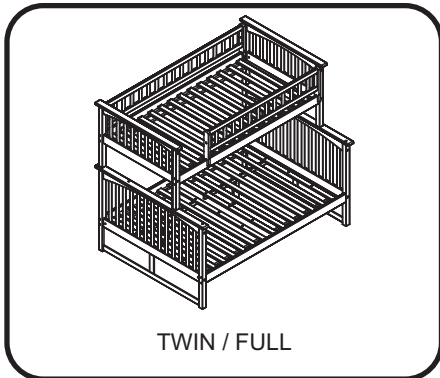
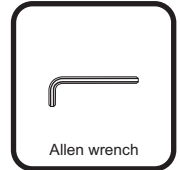


PO :

CODE	ITEM
BK-LDGR-COL	B-5400X
BK-LDPL-COL	B-5510X
BK-LDPL-COL	B-5500X
BK-LDPL-COL	B-5520X
BK-LDPL-COL	B-5550X

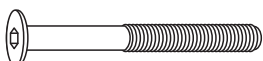


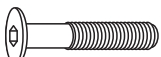
TWIN OVER FULL SHOWN




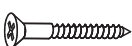
HARDWARE

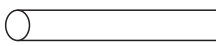
NOTE: WE INCLUDE SPARE HARDWARE IN CASE DAMAGE OCCURS DURING ASSEMBLY.

A  JCB M6 X 3 1/2" (90mm) - 16 pcs
Spare - 2 pcs

B  JCB M6 X 2" (50mm) - 4 pcs
Spare - 2 pcs

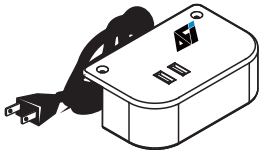
C  Barrel nut - 20 pcs
Spare - 2 pcs

D  1 1/4" Wood screw - 4 pcs
Spare - 2 pcs

E  Metal pins - 4 pcs

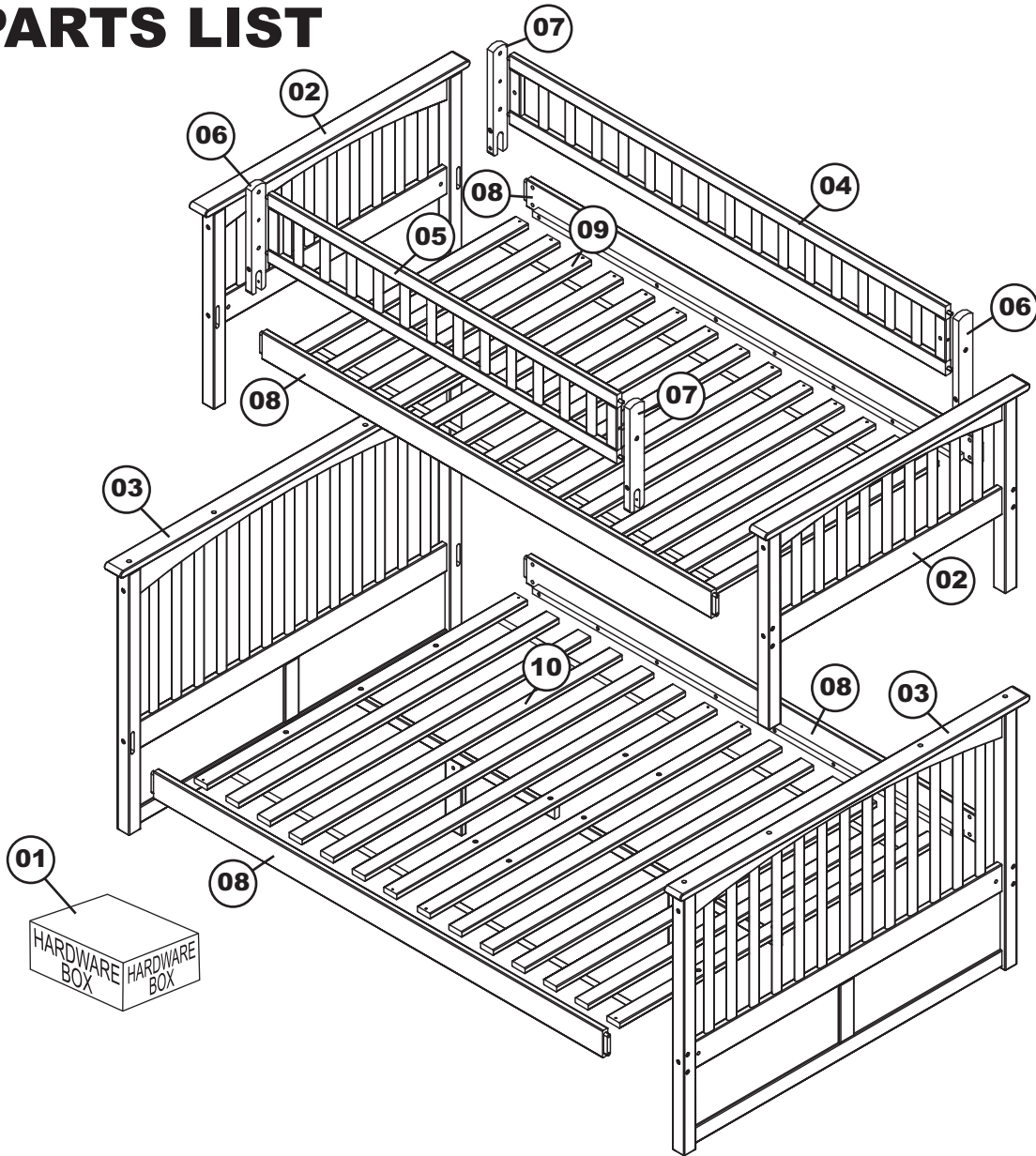
F  Wood button - 8 pcs
Spare - 1 pc

G  Allen wrench - 1 pc
Spare - 1 pc

H  Surface Mount Charger - 1 set
Screw 1/2" - 2 pcs
Spare - 1 pc

TWIN OVER FULL SHOWN

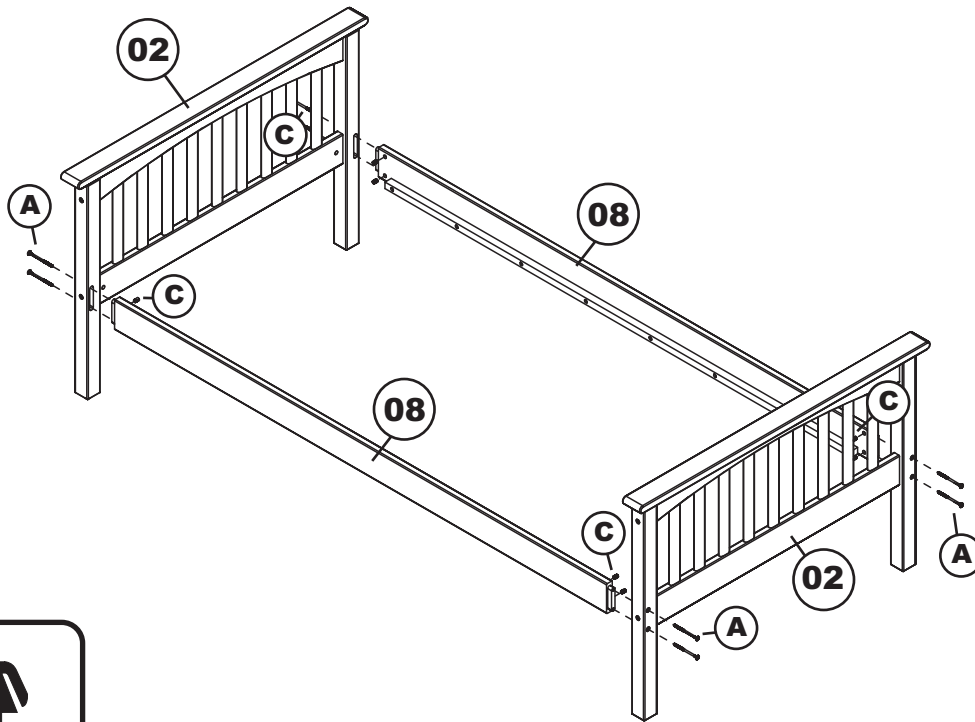
PARTS LIST



- | | | | |
|----|--------------------------|--|-------|
| 01 | HARDWARE | | 1 BOX |
| 02 | UPPER PANEL | | 1 BOX |
| 03 | LOWER PANEL | | 1 BOX |
| 04 | FULL GUARD RAIL | | |
| 05 | 3/4 GUARD RAIL | | |
| 06 | LEFT END CAPS | | 1 BOX |
| 07 | RIGHT END CAPS | | |
| 08 | LONG RAIL | | |
| 09 | TWIN SLAT KIT | | 1 BOX |
| | OR | | |
| | FULL UPPER BUNK SLAT KIT | | 1 BOX |
| 10 | FULL LOWER BUNK SLAT KIT | | 1 BOX |
| | OR | | |
| | TWIN LOWER BUNK SLAT KIT | | 1 BOX |

Step 1

Attach the long rails (08) to the upper panels (02), using JCB M6 X 3 1/2" (A), and barrel nut (C). Tighten with the Allen wrench (G).



A



JCB M6 X 3 1/2"

C



Barrel nut

G



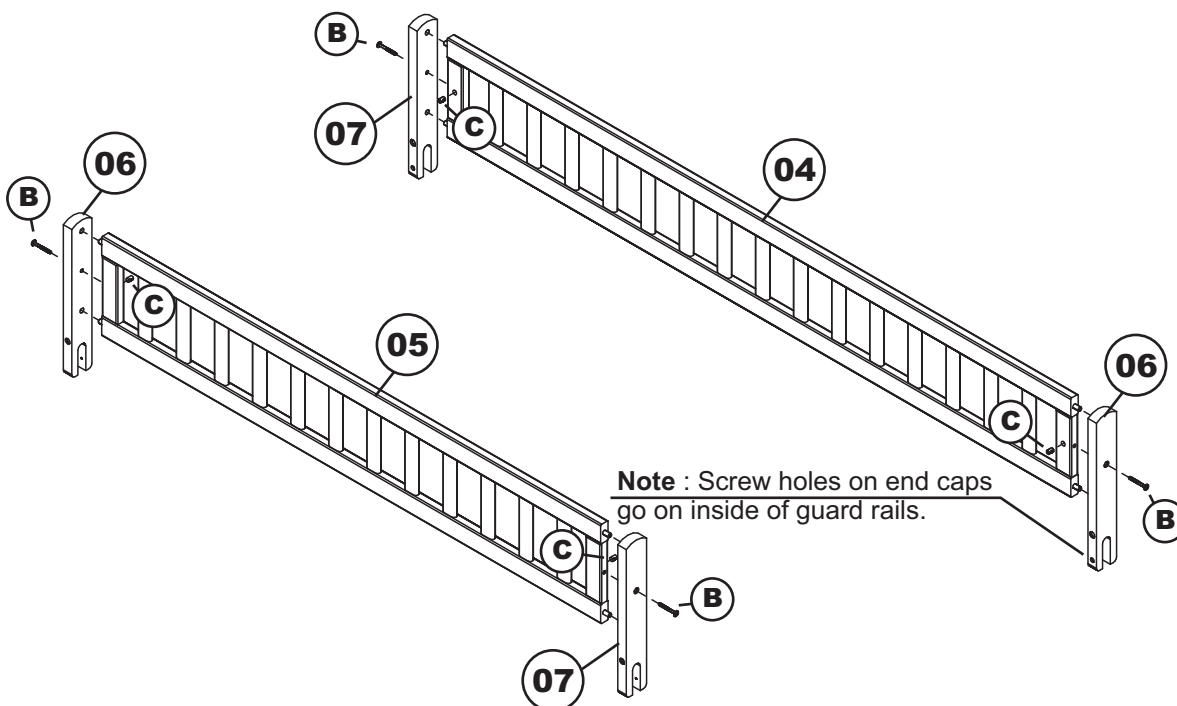
Allen wrench



Adult assembly

Step 2

If the bunk bed will be placed next to a wall, the guard rail that runs the full length of the bed should be placed against the wall to prevent entrapment between the bed and the wall.



Note : Screw holes on end caps go on inside of guard rails.



Adult assembly

B



JCB M6 X 2"

C



Barrel nut

G

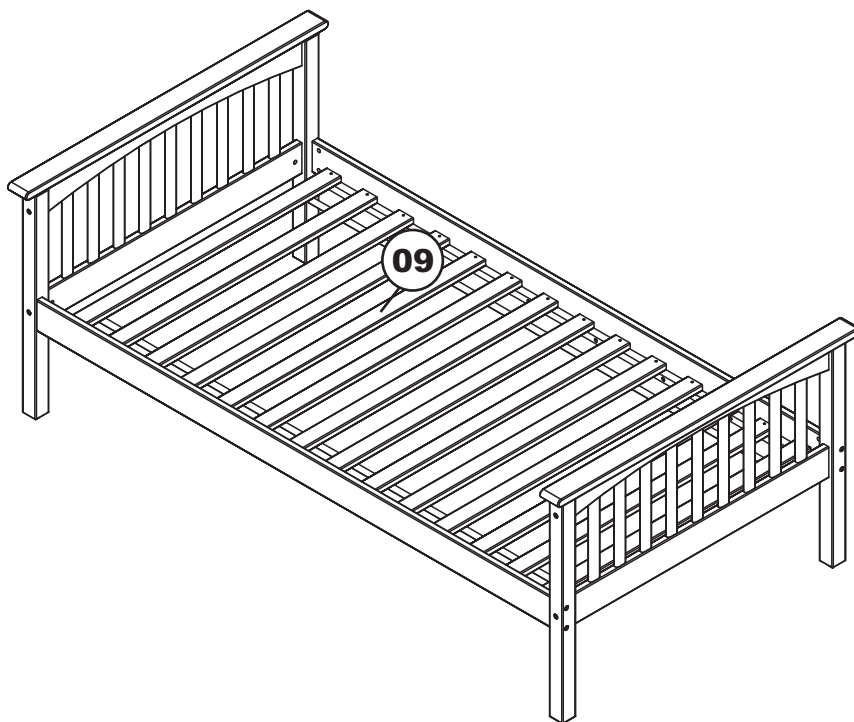


Allen wrench

Attach the full guard rail (04) to the end caps (06)(07), using JCB M6 X 2" (B), and barrel nut (C). Tighten with the Allen wrench (G). Repeat for 3/4 guard rail (05).

Step 3

Lay the twin slat kit (09) onto the bed. Fix in place using wood screws provided in the slat kit box. FOR SLAT KIT ASSEMBLY follow assembly instructions included with slat kit.



Adult assembly



Customer supplied

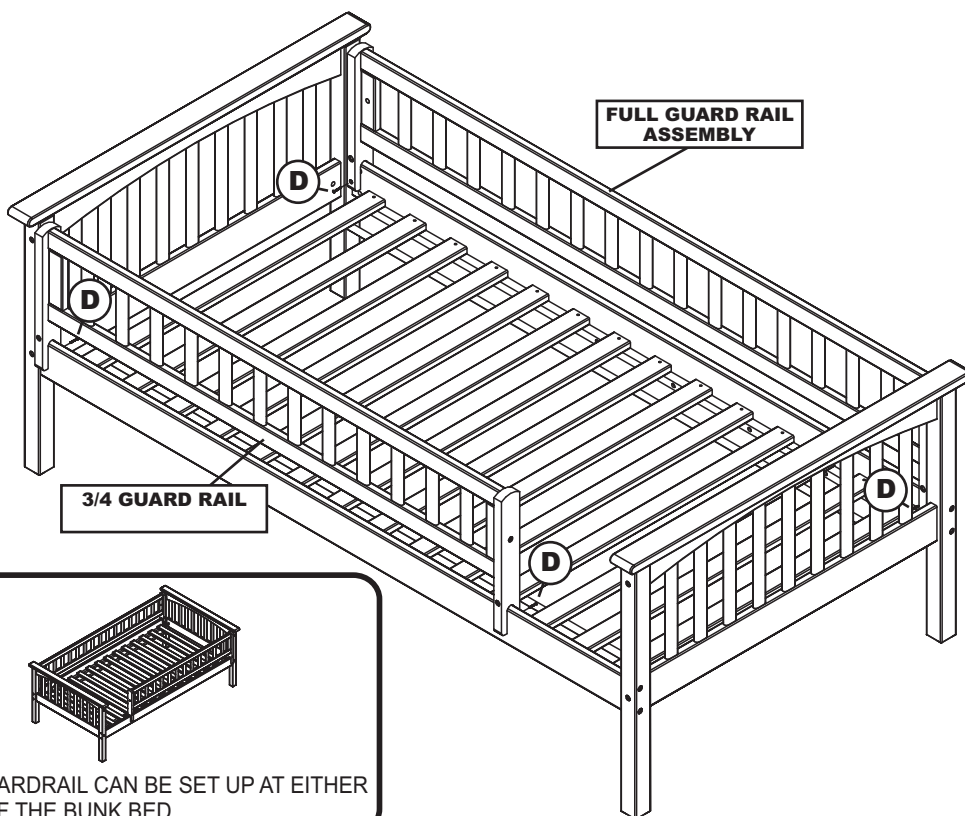


Phillips head screwdriver

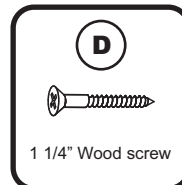
Twin size shown
Full Upper panel uses Full upper slat kit

Step 4

Install the full and 3/4 guard rail assemblies onto the long rails, and fix in place using wood screws (D). Tighten with the Phillips head screwdriver. (Customer supplied)



Adult assembly



1 1/4" Wood screw



Customer supplied



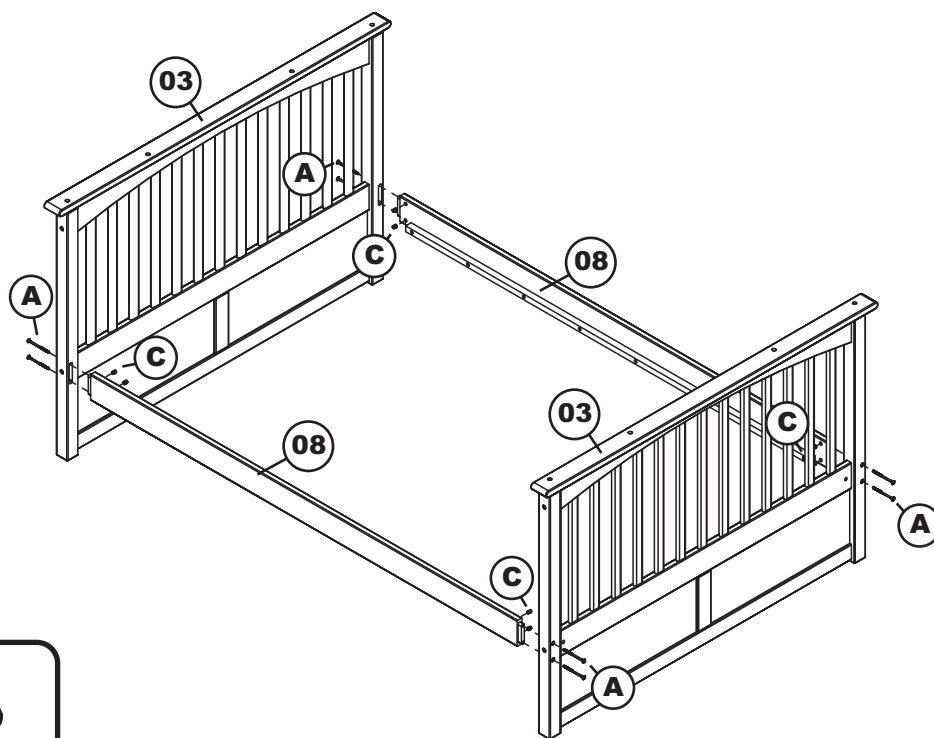
Phillips head screwdriver



3/4 GUARDRAIL CAN BE SET UP AT EITHER END OF THE BUNK BED

Step 5

Attach the long rails (08) to the lower panel (03), using JCB M6 X 3 1/2" (A), and barrel nut (C). Tighten with the Allen wrench (G).



A



JCB M6 X 3 1/2"

C



Barrel nut

G



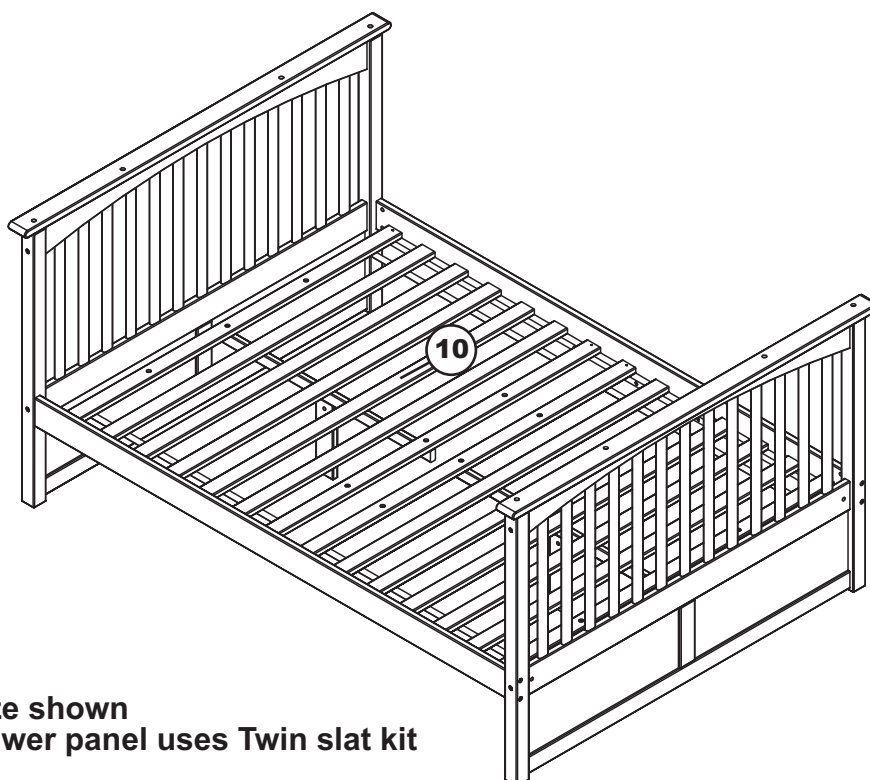
Allen wrench



Adult assembly

Step 6

Lay the slat kit with center support (10) onto the bed, and fix in place using wood screws provided in the slat kit box. FOR SLAT KIT ASSEMBLY follow assembly instructions included with slat kit.



Adult assembly

Customer supplied

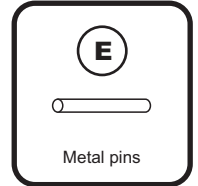
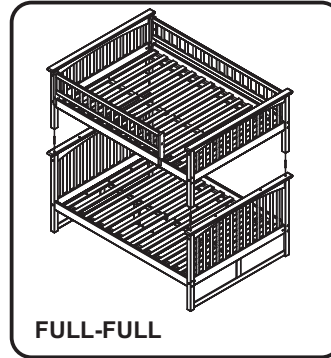
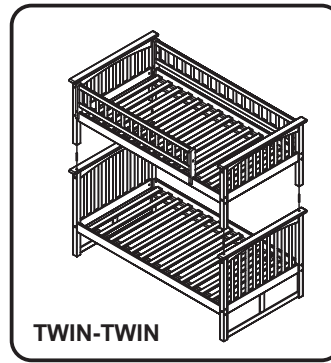
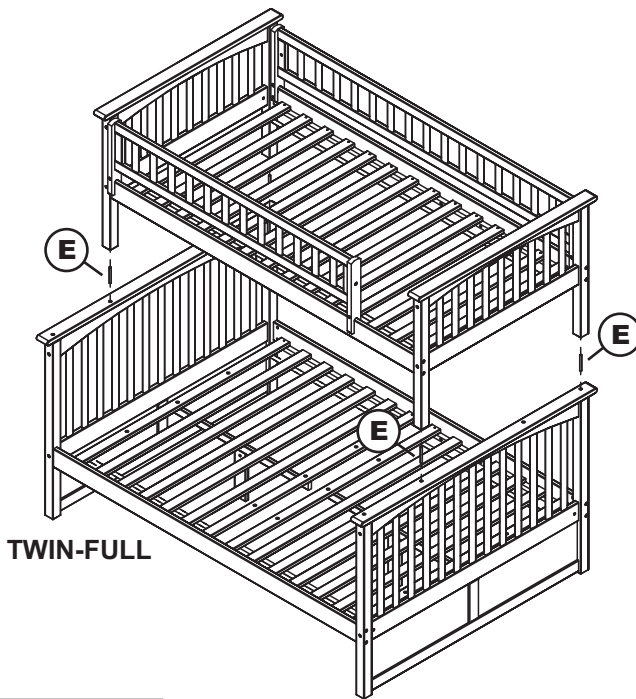


Phillips head screwdriver

Full size shown
Twin lower panel uses Twin slat kit

Step 7

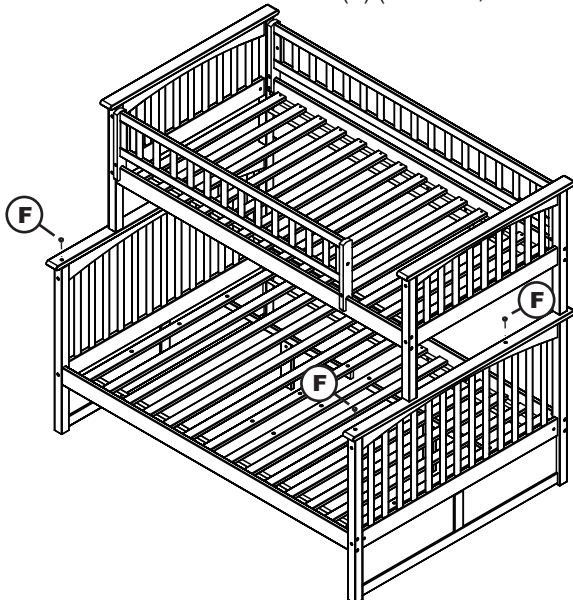
Insert metal pins (E) into the holes in top of the lower panels. Lift the upper panels onto the lower panels as shown, and fit the metal pins into the holes in the bottom of the upper panel legs.



CAUTION
This step requires two strong Adults.

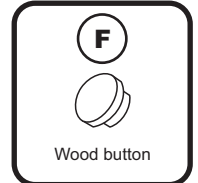
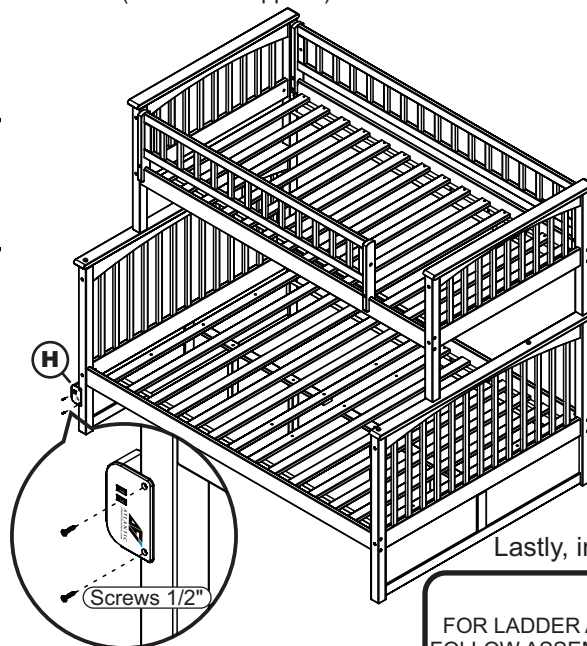
Step 8

Cover holes with wood buttons (F) (Twin Full, Full Full).



Step 9

Install USB charger (H) to the location as shown below. Using 1/2" screws and tighten with Phillips head screw driver. (Customer supplied)



Congratulations!

Your Bunk bed is now ready for use.

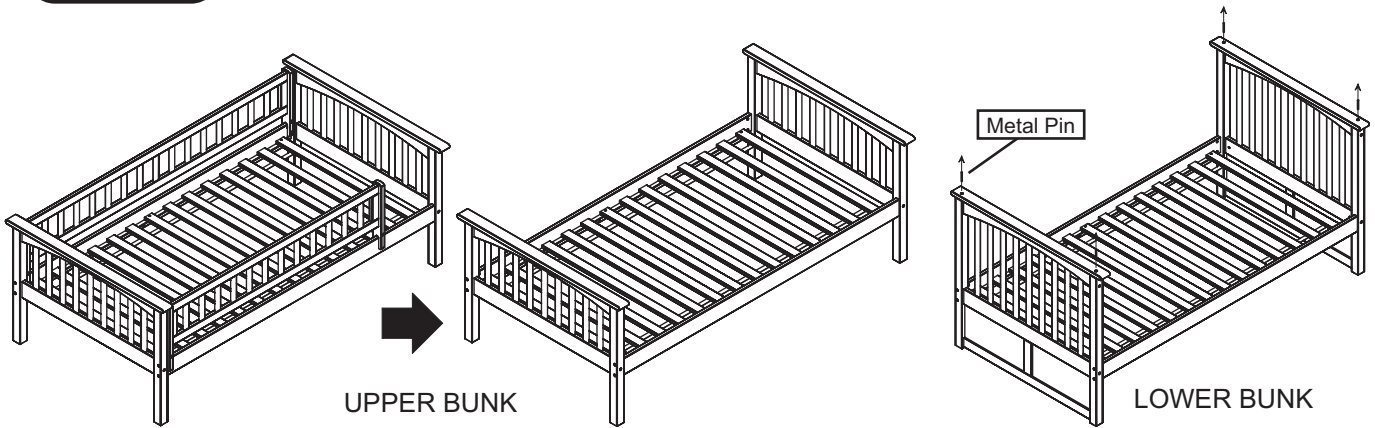
We recommend that you double check that all screws are tight, and that all parts are secure before use and periodically check that all screws are tight to ensure lasting Safety.

FOR LADDER ASSEMBLY, PLEASE FOLLOW ASSEMBLY INSTRUCTIONS INCLUDED WITH YOUR LADDER.

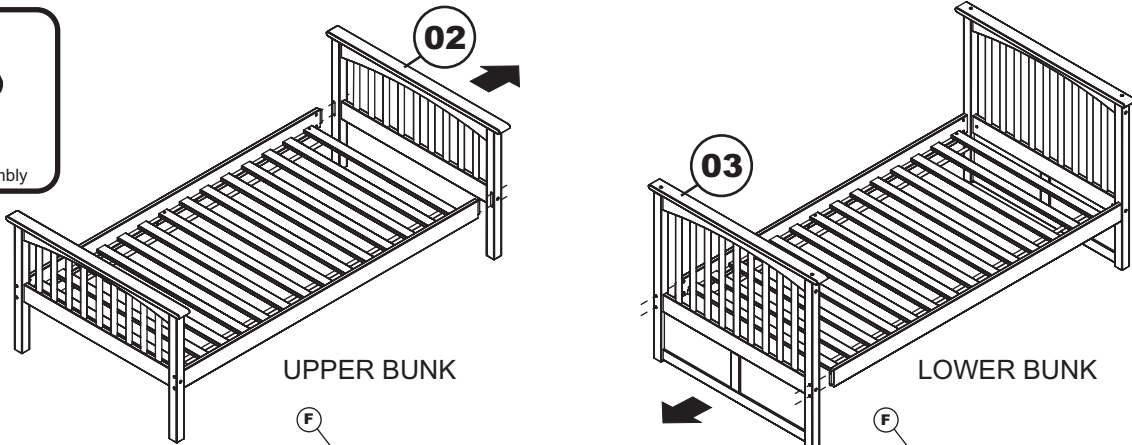
CONVERSION TO 2 TWIN OR 2 FULL BEDS.

Step 9

Disassemble upper bunk by removing guard rails. Also remove metal pins from lower bunk.

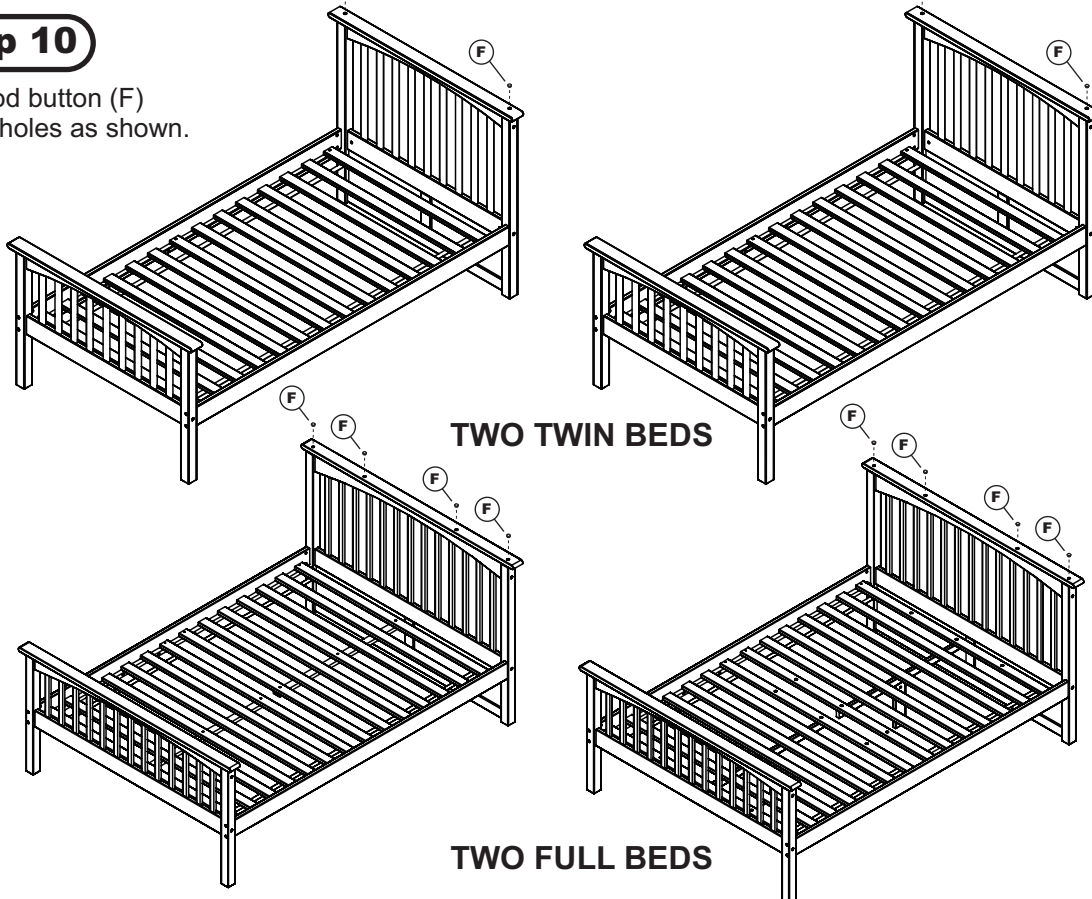


Disassemble upper bunk by removing upper panel (02) and lower bunk by removing lower panel (03). Exchange upper panel to the lower panel position and Install hardware, tighten with Allen wrench.



Step 10

Use Wood button (F) to cover holes as shown.



ASSEMBLY INSTRUCTION



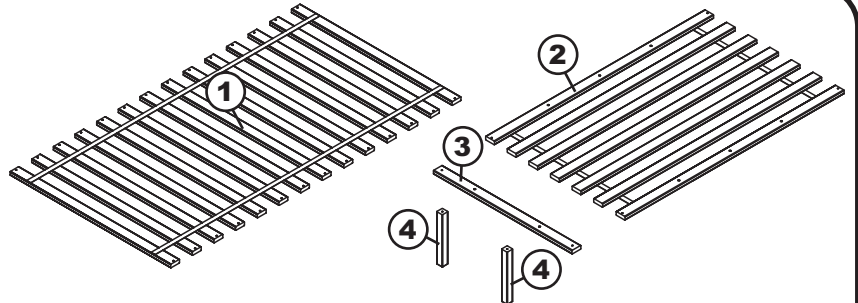
Before assembling your bed slat kit, please read through these instructions carefully and familiarize yourself with the different parts.

Please note that you will require a Phillips screwdriver.

ATTENTION! If you receive a damaged or defective item, please contact afifurnishings at customerservice@afifurnishings.com or 1-800-955-3726

PARTS LIST

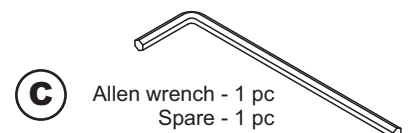
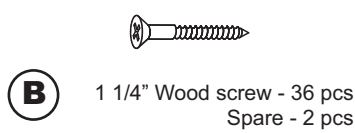
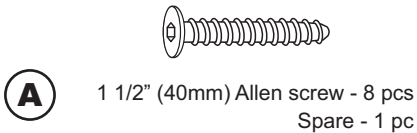
- | | | |
|----------|---------------------------|--------------|
| 1 | UPPER SLAT KIT | 1 SET |
| 2 | LOWER SLAT SECTION | 2 SET |
| 3 | LOWER SUPPORT RAIL | 2 PCS |
| 4 | CENTER LEG | 4 PCS |



CODE	ITEM
SL-PF	E-65230

HARDWARE

PO :



NOTE: WE INCLUDE SPARE HARDWARE IN CASE DAMAGE OCCURS DURING ASSEMBLY.

Step 1 Assemble bunk bed according to assembly instructions.

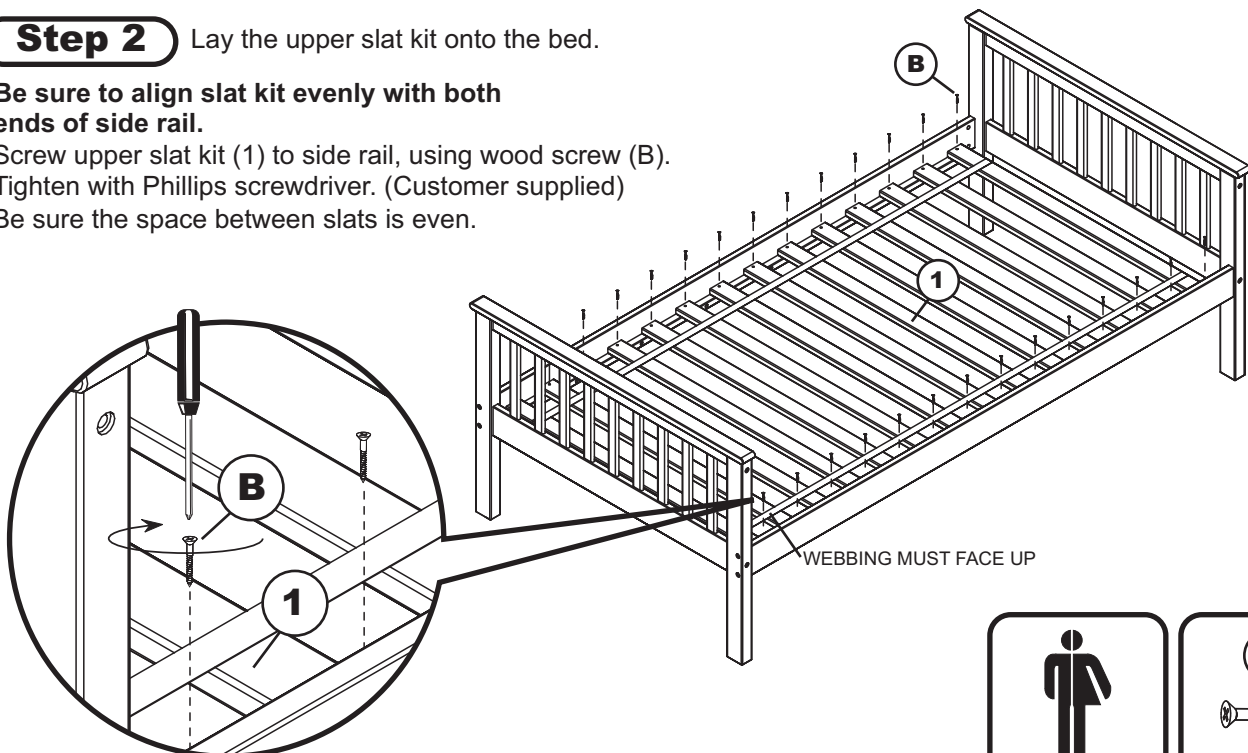
Step 2 Lay the upper slat kit onto the bed.

Be sure to align slat kit evenly with both ends of side rail.

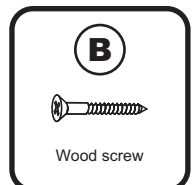
Screw upper slat kit (1) to side rail, using wood screw (B).

Tighten with Phillips screwdriver. (Customer supplied)

Be sure the space between slats is even.

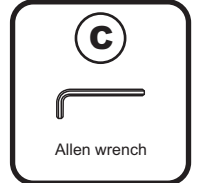
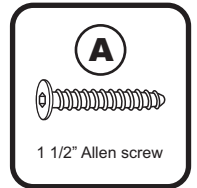
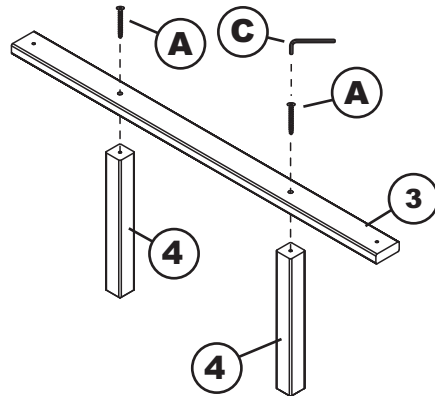


NOTE: WEBBING MUST FACE UP



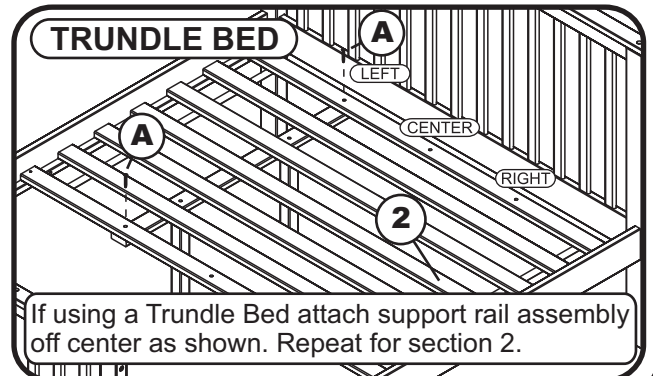
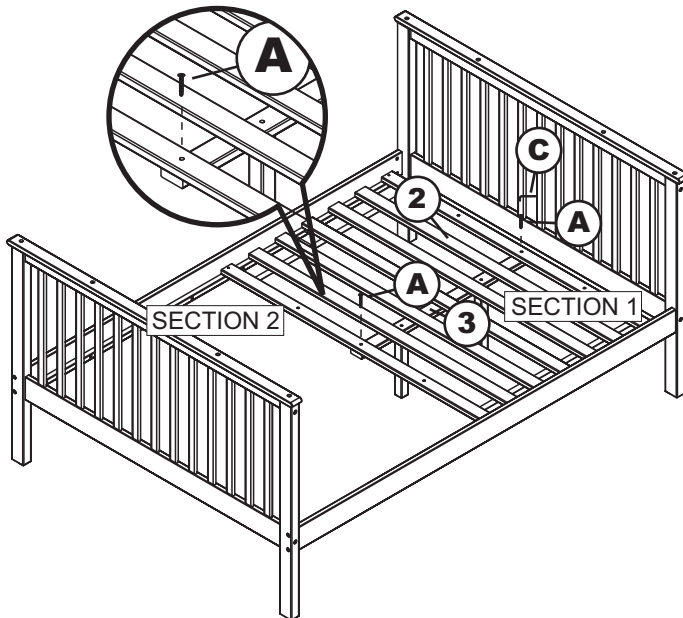
Step 3

Assemble center legs (4) and lower support rail (3). Using Allen screw (A). Tighten with the Allen wrench (C). Repeat for other lower support rail.



Step 4

Lay the lower slat section (2) onto the bed. Attach lower support rail assembly (3) to the lower slat section (2). Using Allen screw (A), tighten with the Allen wrench (C). Repeat for section 2.

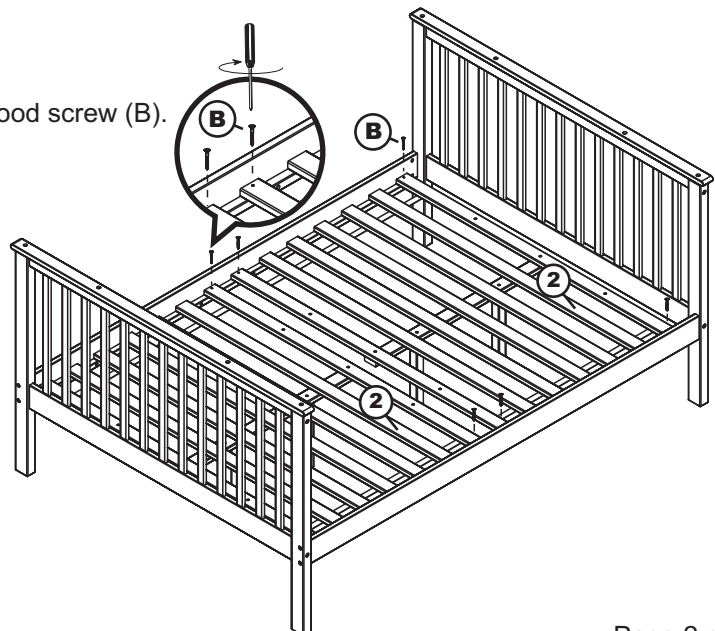
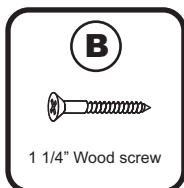


Step 5

Be sure to align slat section evenly with both ends of side rail.

Screw the lower slat section (2) to side rail, using wood screw (B). Tighten with Phillips screwdriver.

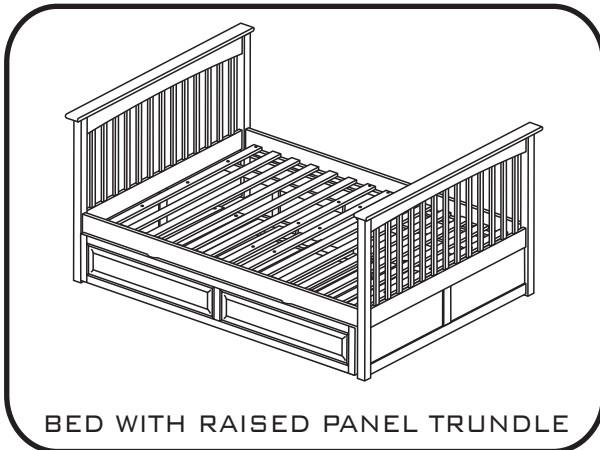
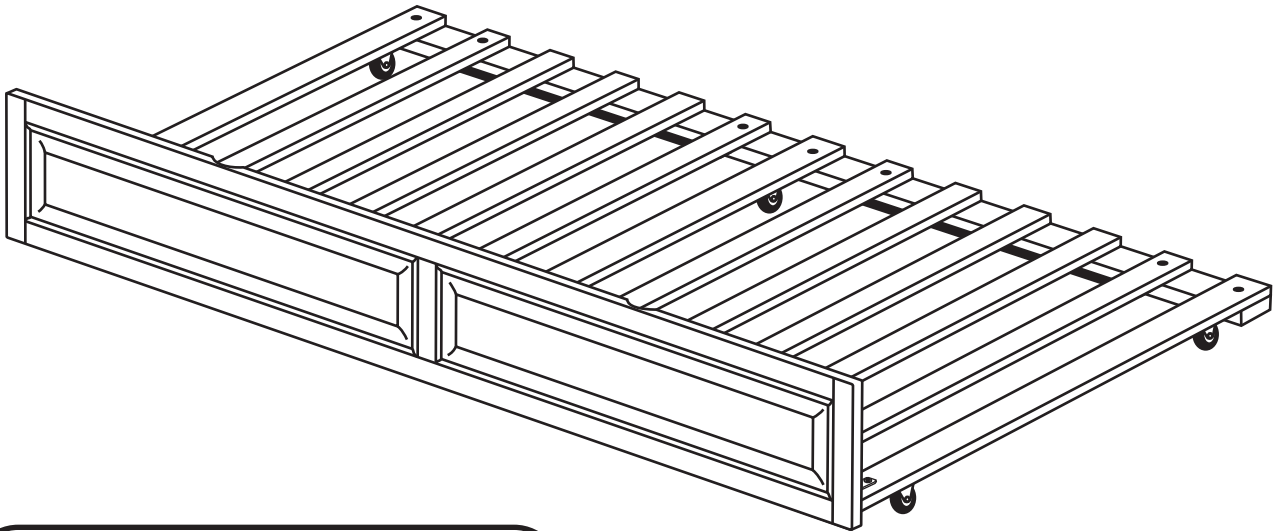
Be sure the space between slats is even.



ASSEMBLY INSTRUCTIONS

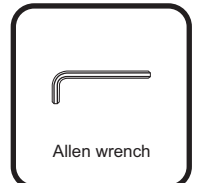
Before assembling your trundle bed, please read through these instructions carefully. Familiarize yourself with the different parts.

ATTENTION! If you receive a damaged or defective item, please contact afifurnishings at customerservice@afifurnishings.com or 1-800-955-3726



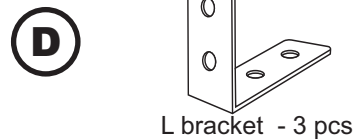
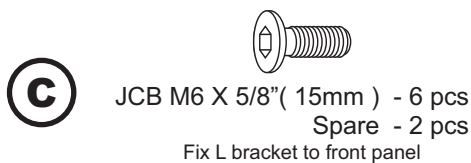
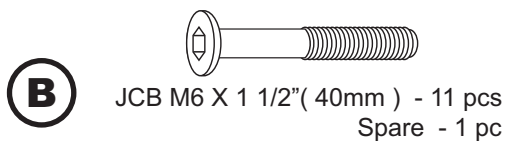
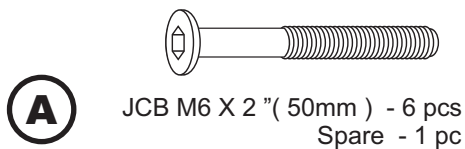
CODE	ITEM
ST-TD-RPN	E-6720X

PO :



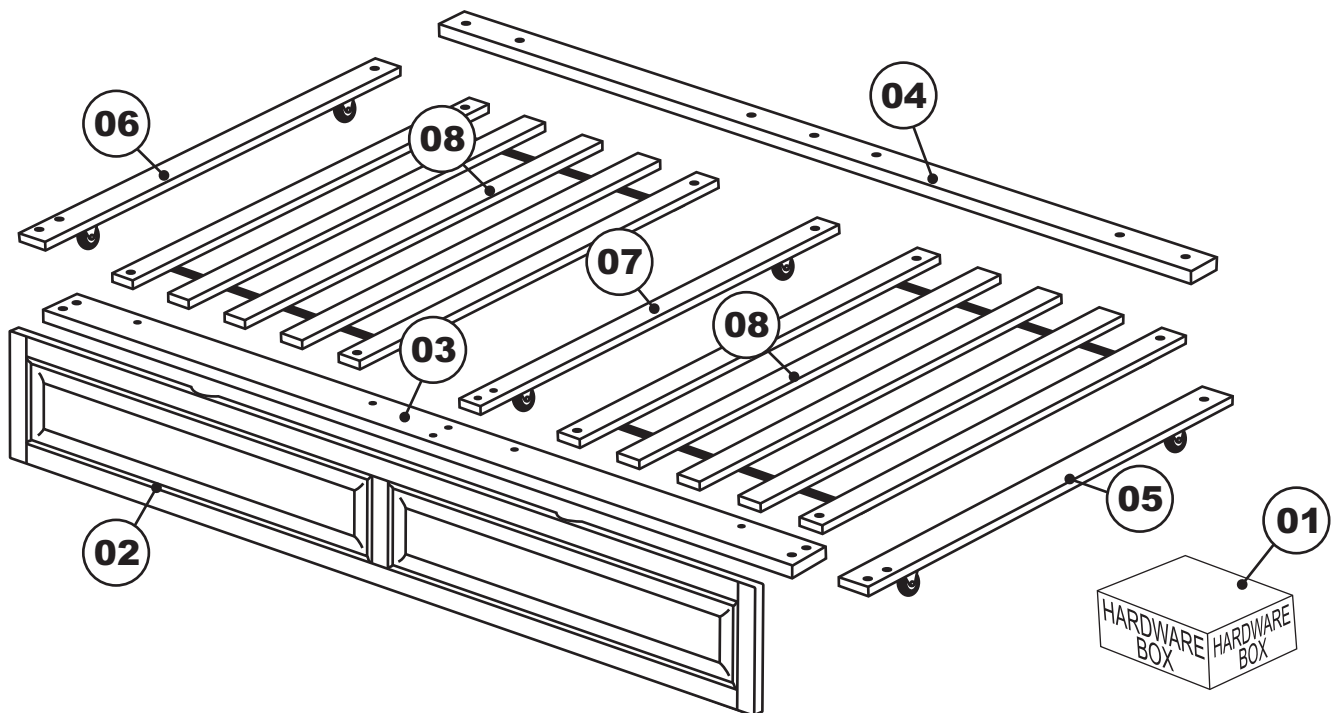
HARDWARE

NOTE: WE INCLUDE SPARE HARDWARE IN CASE DAMAGE OCCURS DURING ASSEMBLY.



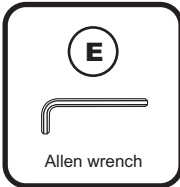
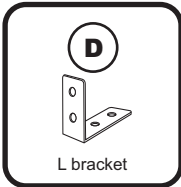
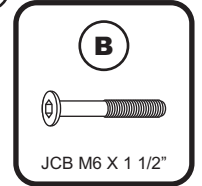
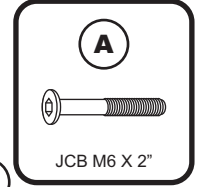
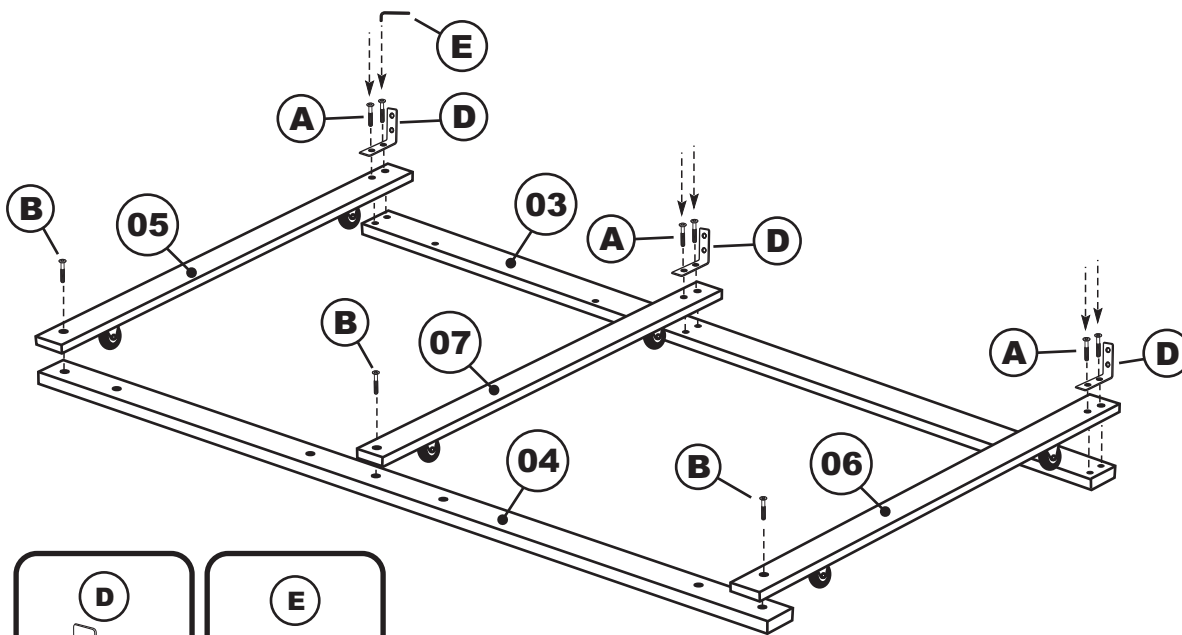
PARTS LIST

01	HARDWARE	1 BOX	05	RIGHT SIDE CROSS RAIL	1 PC
02	FRONT PANEL	1 PC	06	LEFT SIDE CROSS RAIL	1 PC
03	FRONT RAIL	1 PC	07	CENTER CROSS RAIL	1 PC
04	BACK RAIL	1 PC	08	SLATS	2 SETS



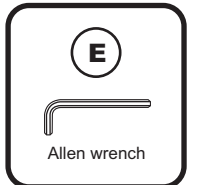
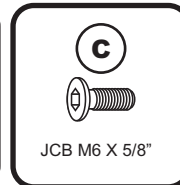
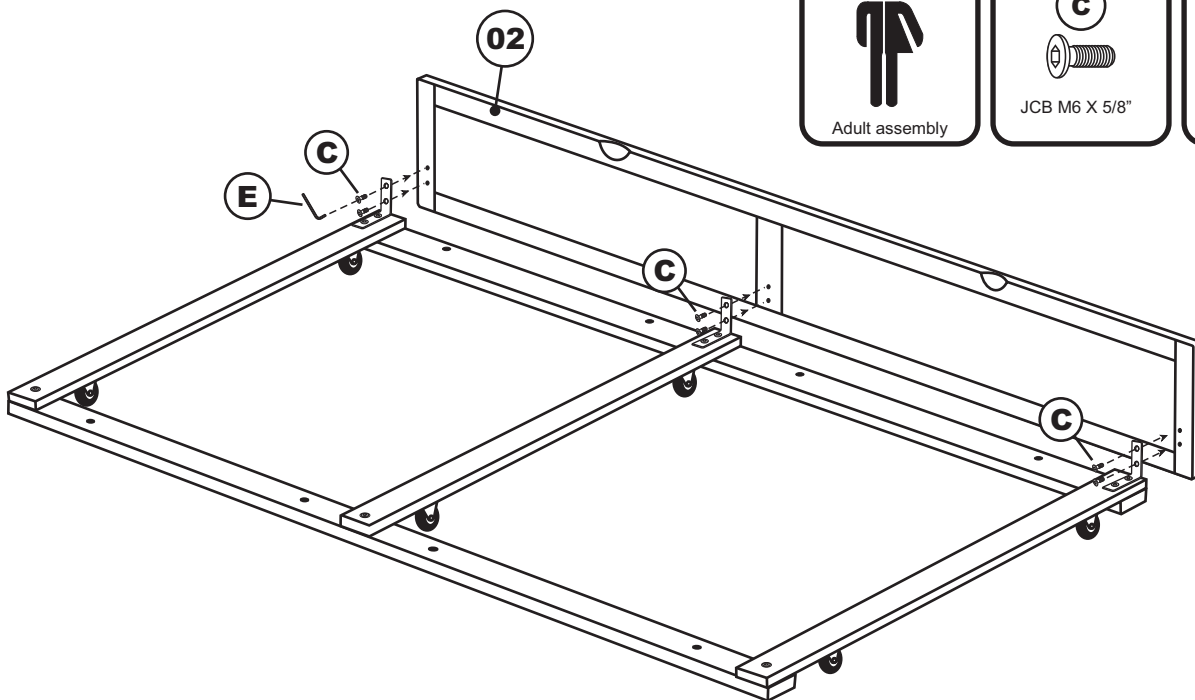
Step 1

Attach the side/center cross rails (05)(06)and(07) to the front rail (03) and back rail (04), using L bracket (D), JCB M6 X 2" (A) and JCB M6 X 1 1/2" (B) as shown. Tighten with the Allen wrench (E).



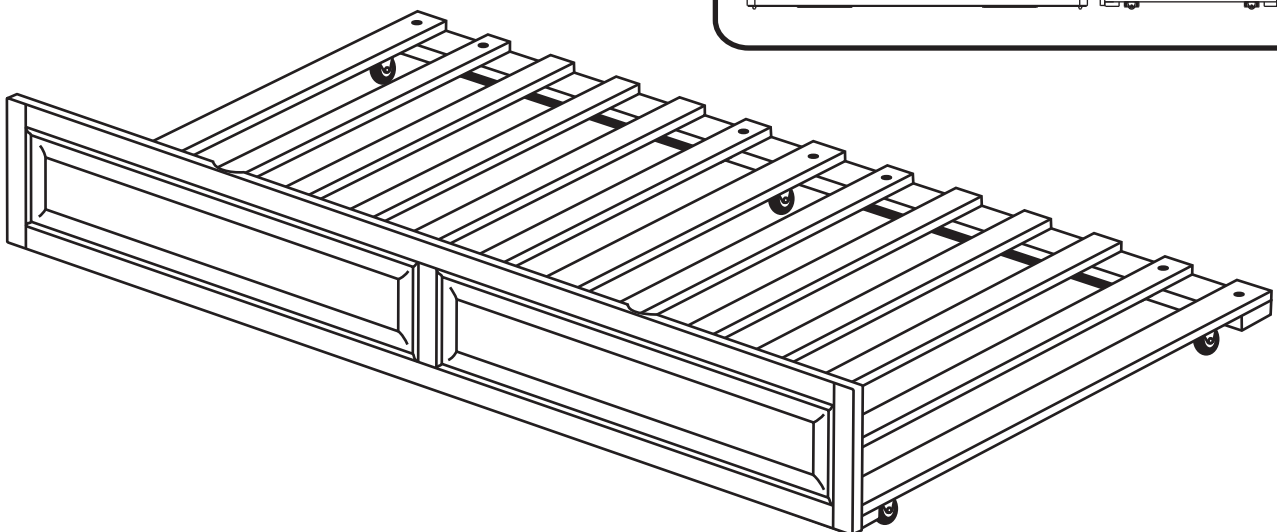
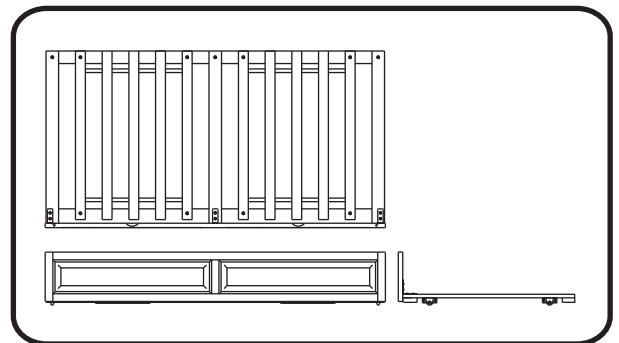
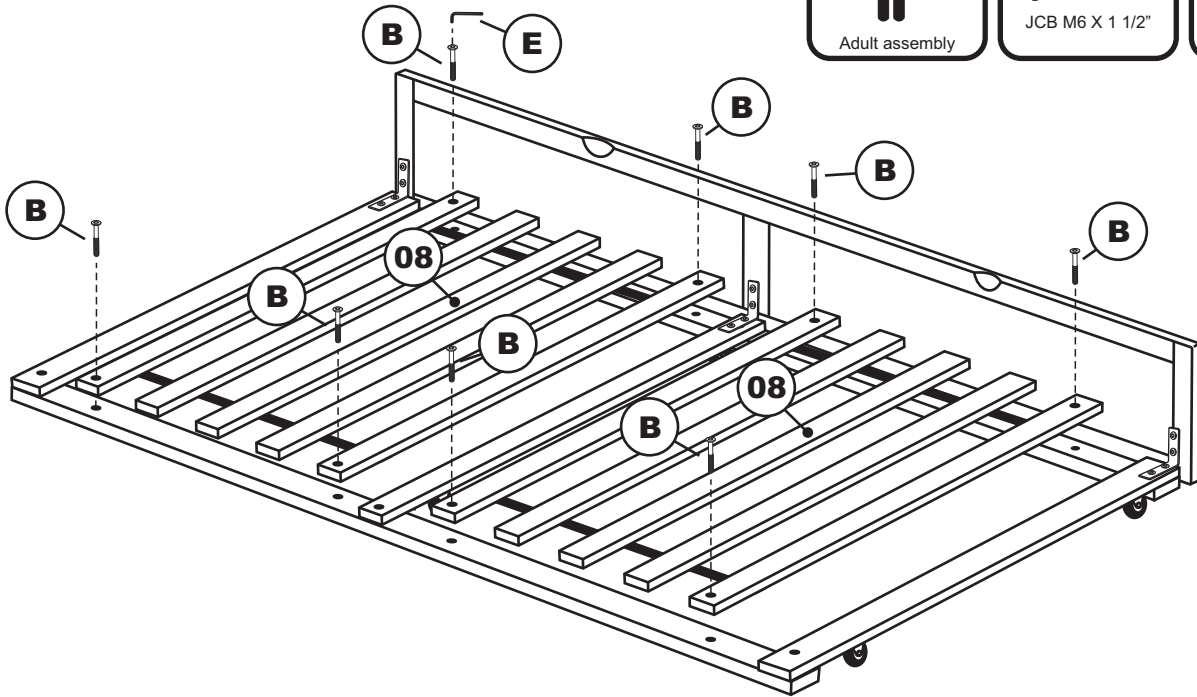
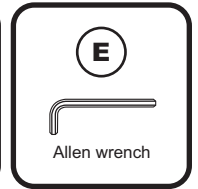
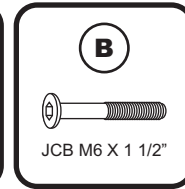
Step 2

Attach the front panel (02) to assembled front rail as shown, using JCB M6 X 5/8" (C). Tighten with the Allen wrench (E).



Step 4

Lay the slats (08) onto the bed, and fix in place. Using JCB M6 X 1 1/2"(B), tighten with the Allen wrench (E)



Congratulations!

Your trundle is now ready for use.

We recommend that you periodically check that all screws are tight and all parts are secure to ensure lasting safety.