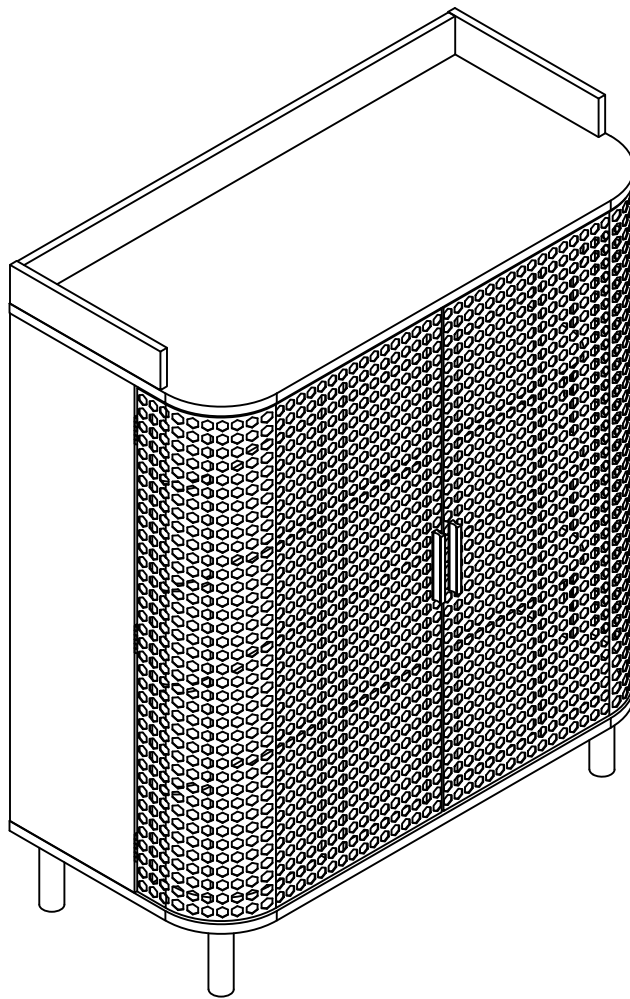


# Installation Instruction



# Assembling

---

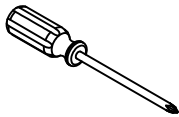
Estimated time for assembly



**45 : 00**

What you need

- Use the packaging carton as a working surface to prevent product damage during assembly
- Phillips head screwdriver



Weight Limitation



**100**

lbs table top

**35**

lbs per

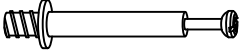
# What' included

---

Code	Description	Qty
A	Cam Bolt M6X35MM	15
B	Cam Lock 15X10MM	15
C	Wooden Dowel M8X30MM	10
D	Screw M4X40MM	10
E	Shelf Holder	6
F	The metal plate	4
G	Metal connector	2
H	Screw M3.5X14MM	28
I	Shelf Holder	16
J	Plastic Angle code	14
K	Anchor	2
L	MATS	4
M	Metal shake handhandle	2
N	Metal connector	15
O	Cam Bolt M4X18MM	4
P	Screw M3.5X14MM	16
Q	Iron absorption	2
R	Screw M3.0X14MM	4
S	Screw M4.0X12MM	12
T	gasket	4

# The Hardwares

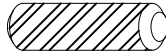
A



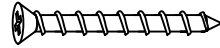
B



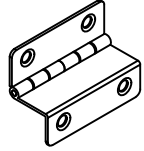
C



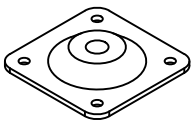
D



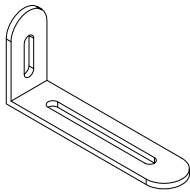
E



F



G



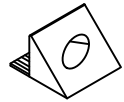
H



I



J



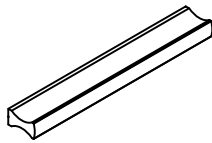
K



L



M



N



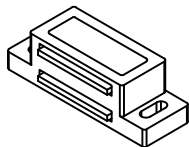
O



P



Q



R



S



T



## IMPORTANT:

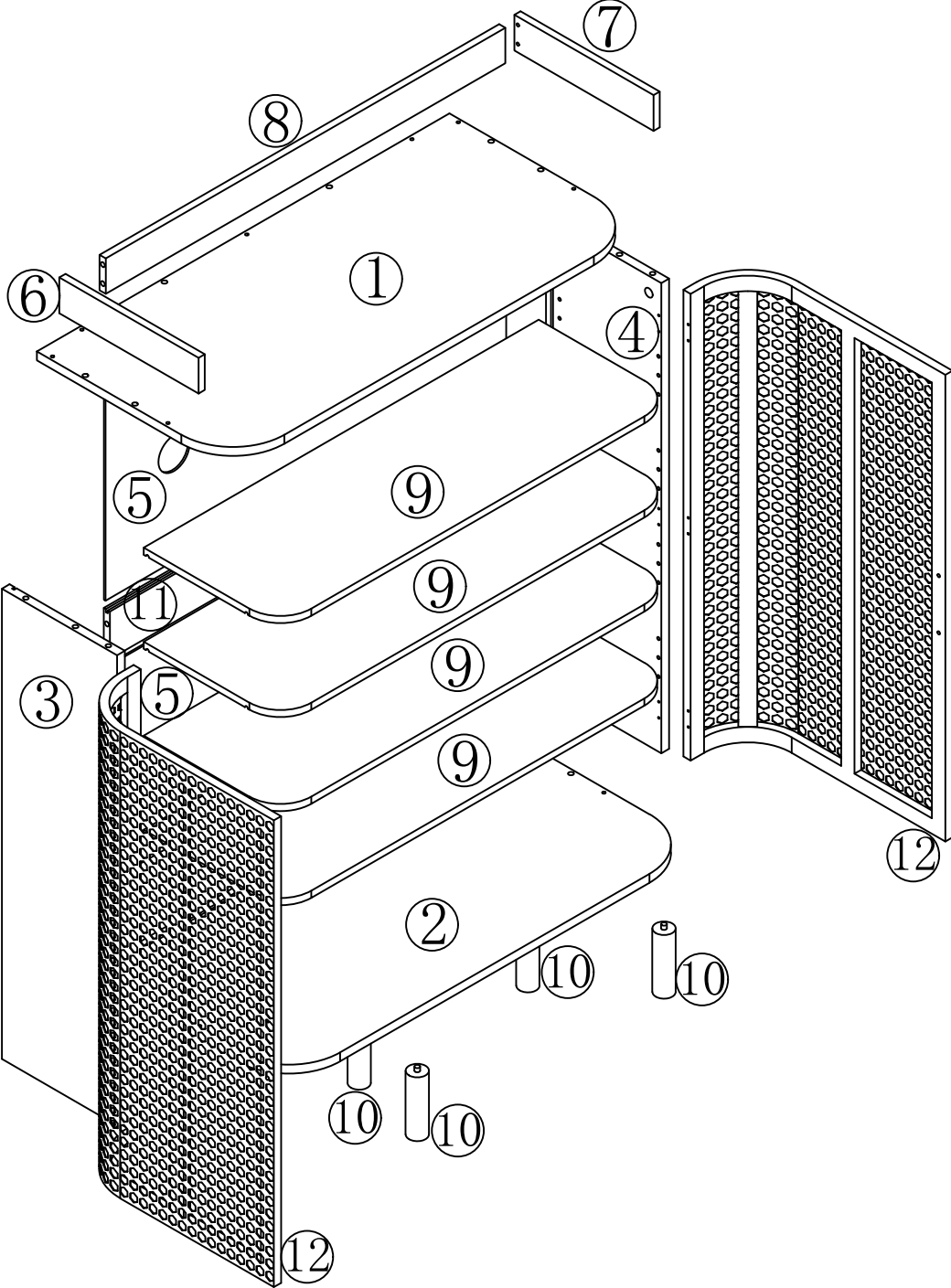
1. Do not tighten bolts / screws completely until all bolts / screws are lined up and inserted into holes.
2. Do not over tighten screws and bolts to avoid stripping
3. Please use hand tools to assemble this product. Do not use power tools.

# Included Accessories

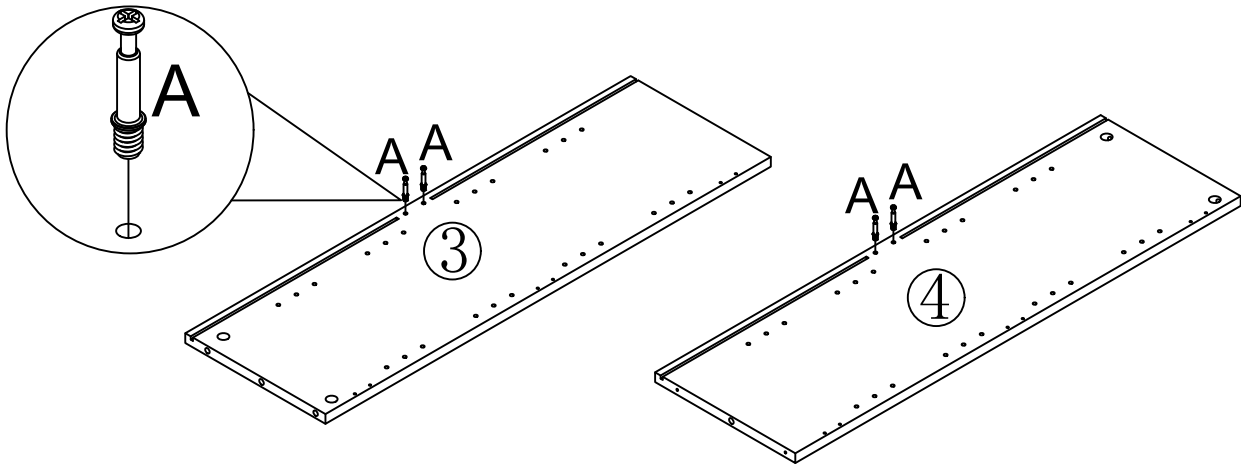
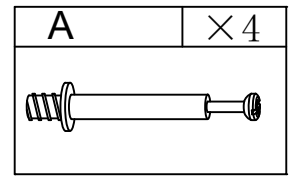
---

Code	Description	Qty
1	Cabinet Top	1
2	Bottom Panel	1
3	Left Side Panel	1
4	Right Side Panel	1
5	Upper back plate	2
6	Superior left side plate	1
7	Superior right side plate	1
8	Upper back pull plate	1
9	Middle fixed laminate	4
10	Solid wood feet	4
11	Back stiffener	1
12	Iron Vine Gate	2

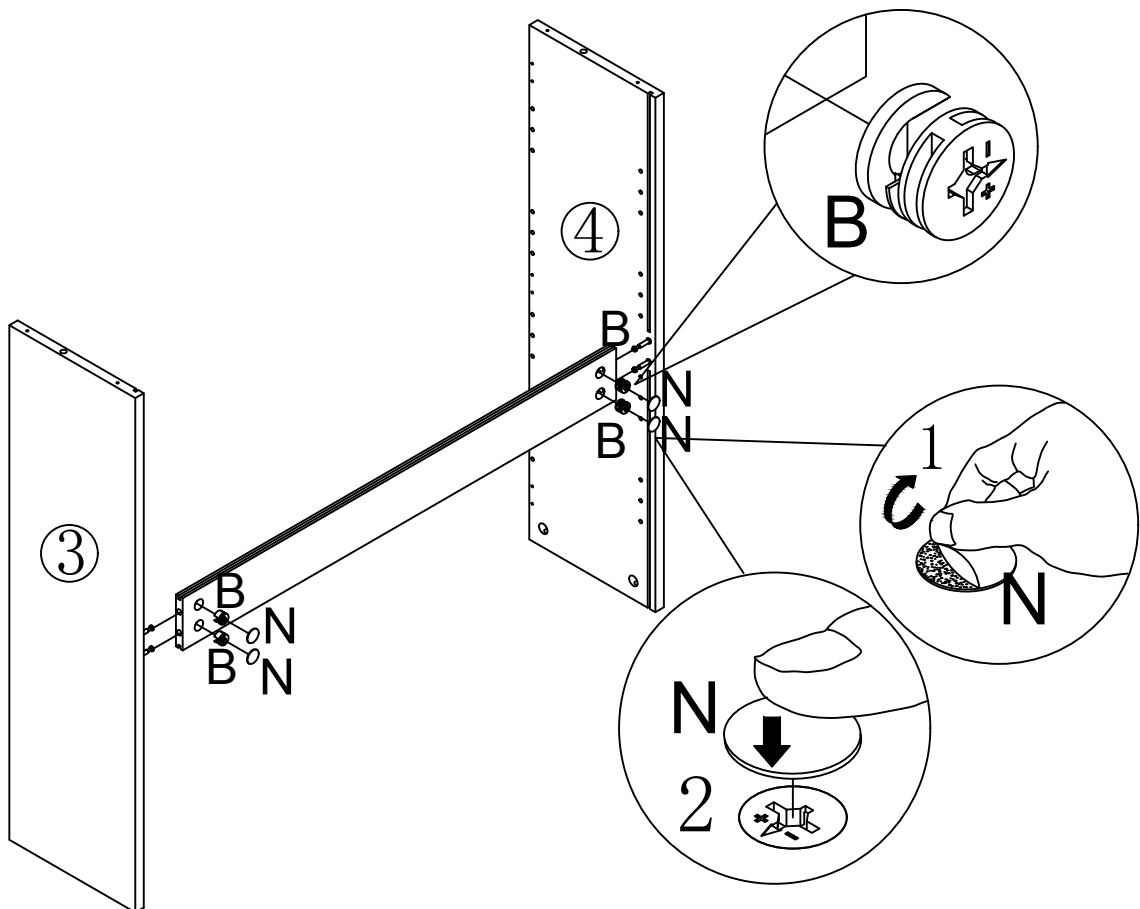
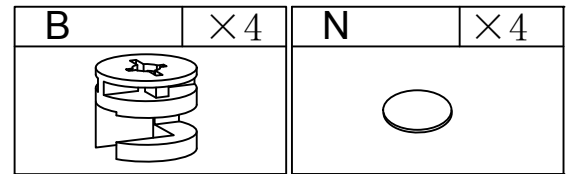
# The Accessories



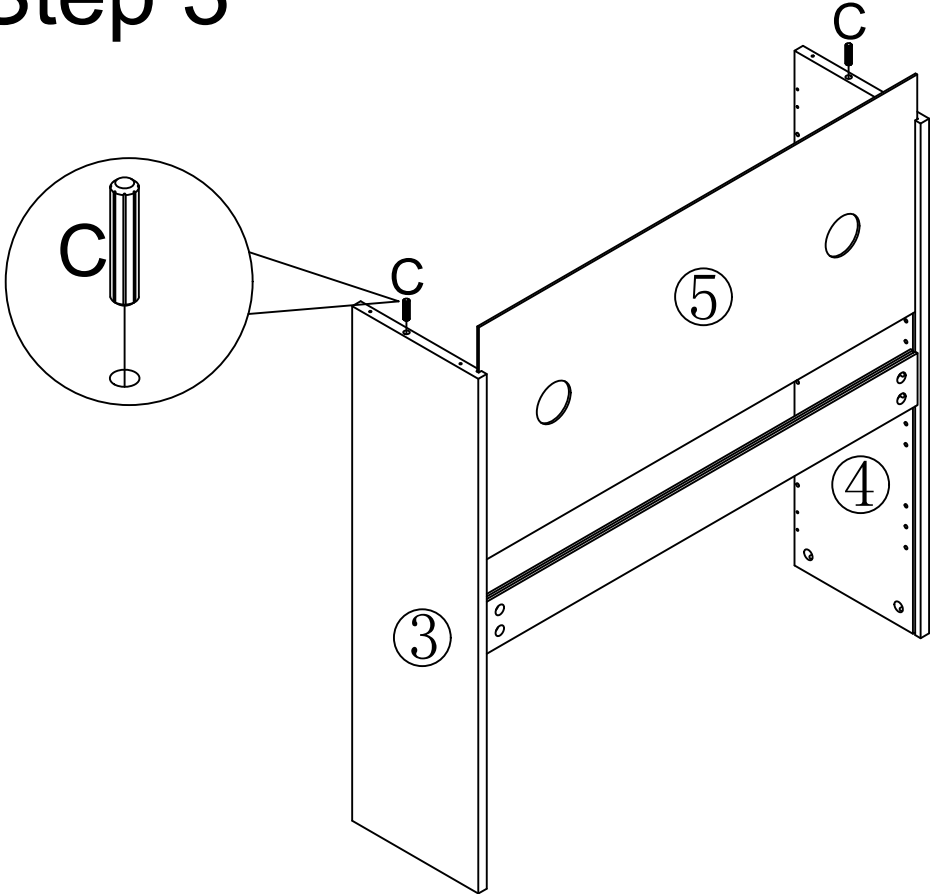
# Step 1



# Step 2

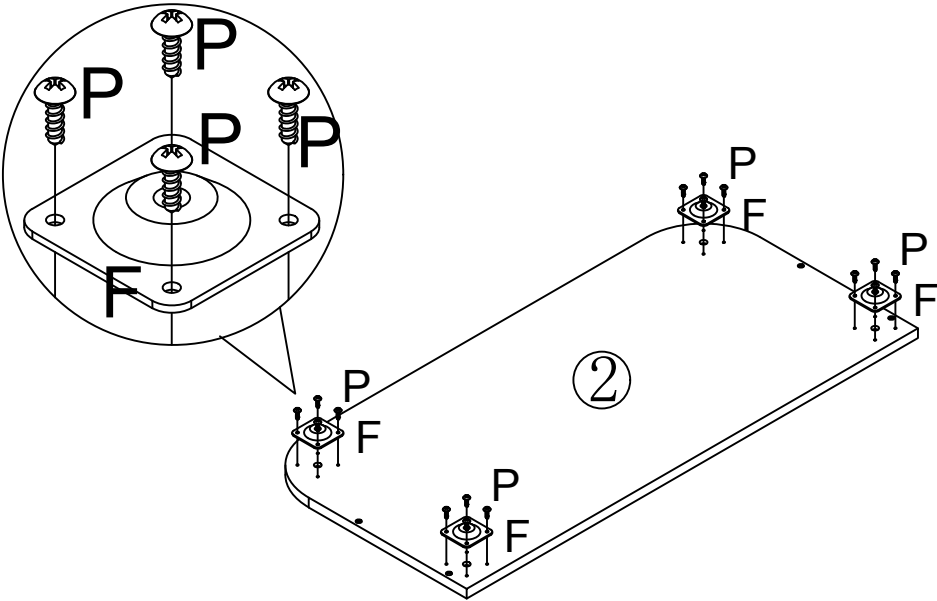


# Step 3



C	×2

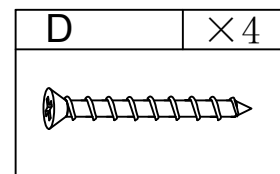
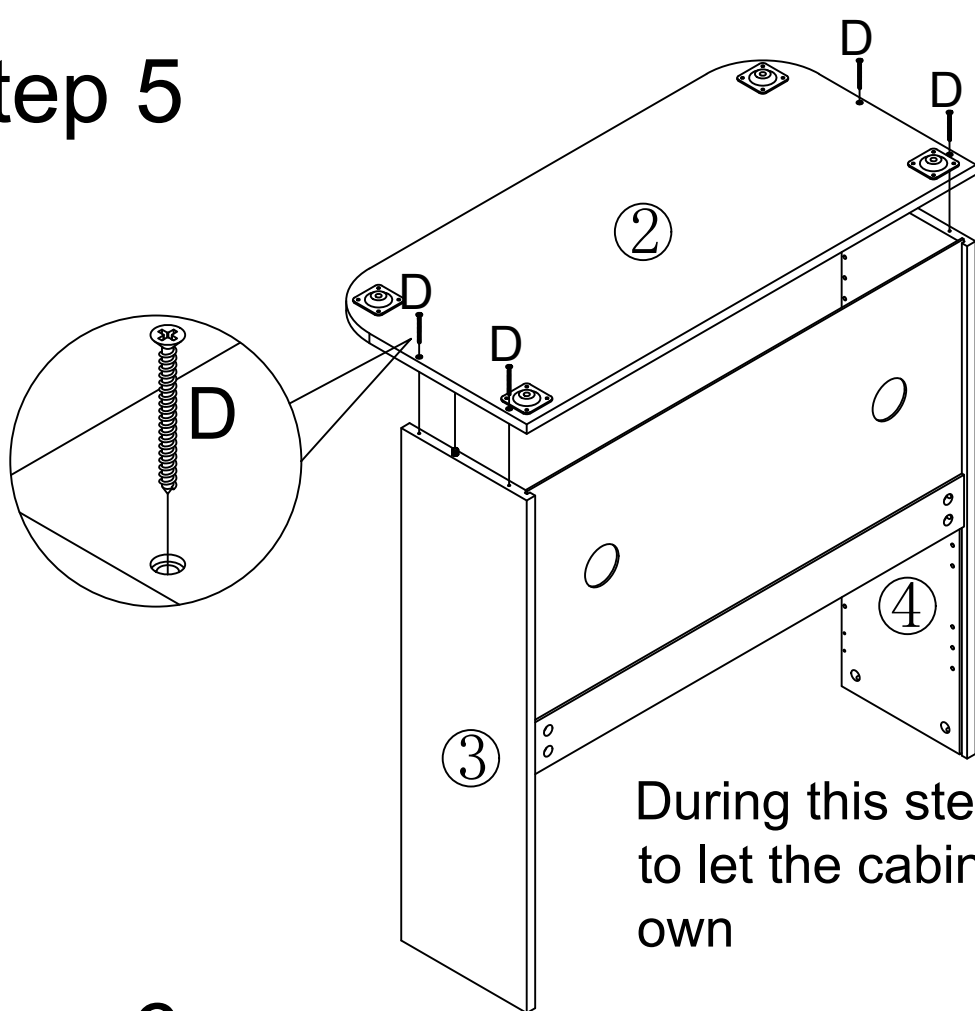
# Step 4



F	×4

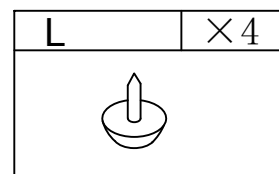
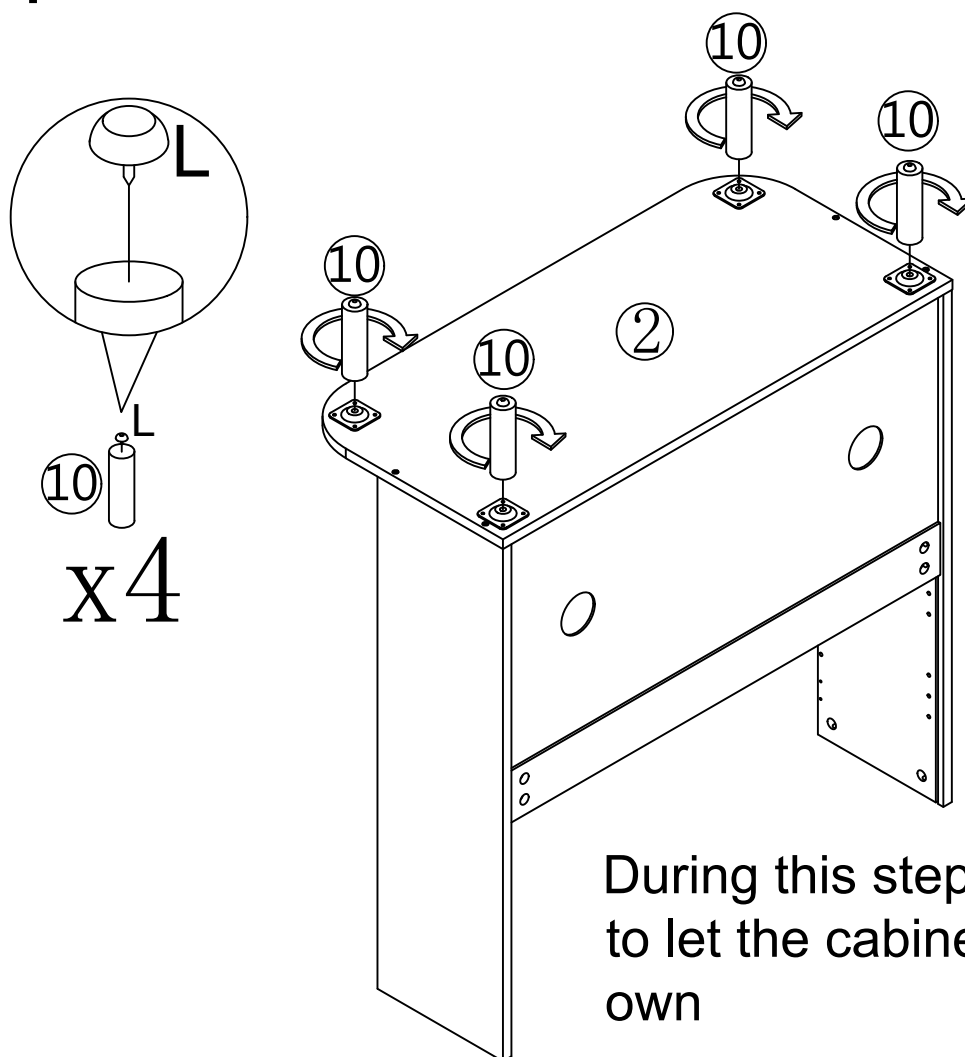
P	×16

# Step 5



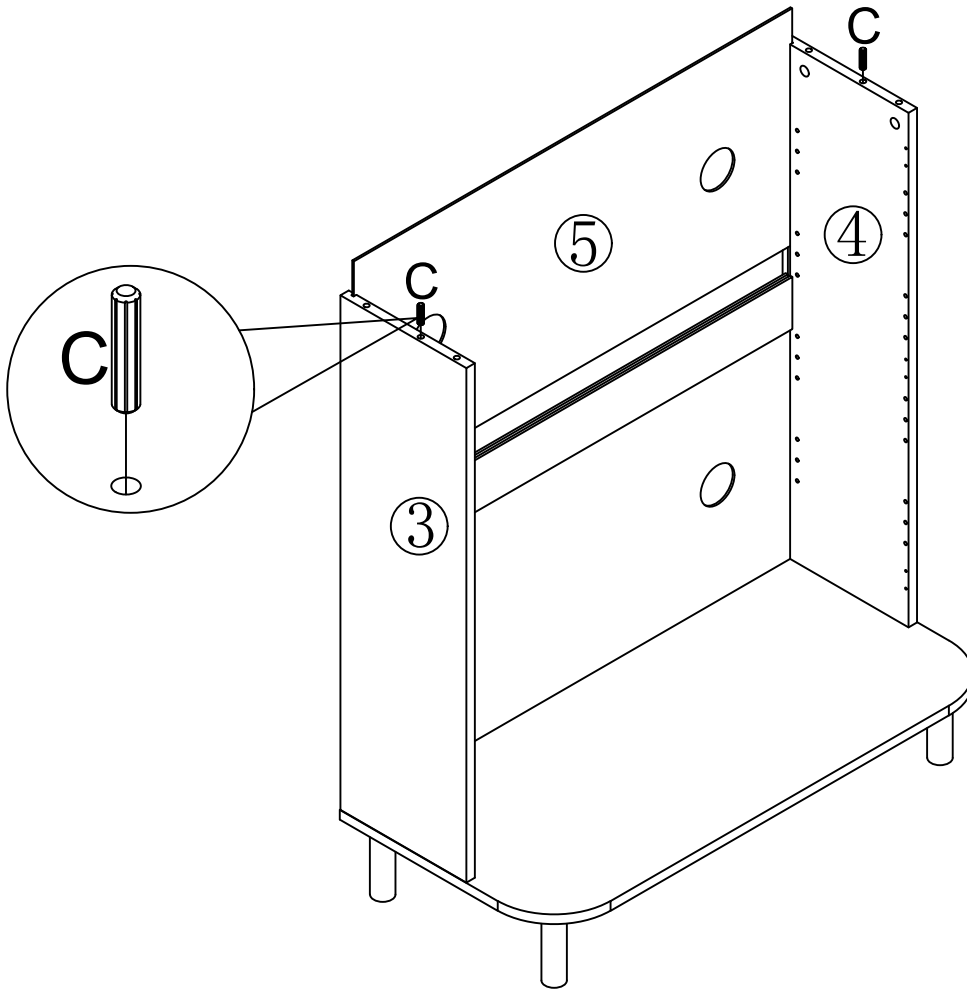
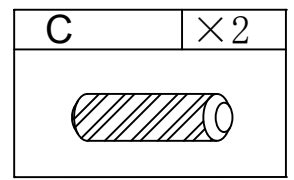
During this step, be careful not to let the cabinet tip over on its own

# Step 6

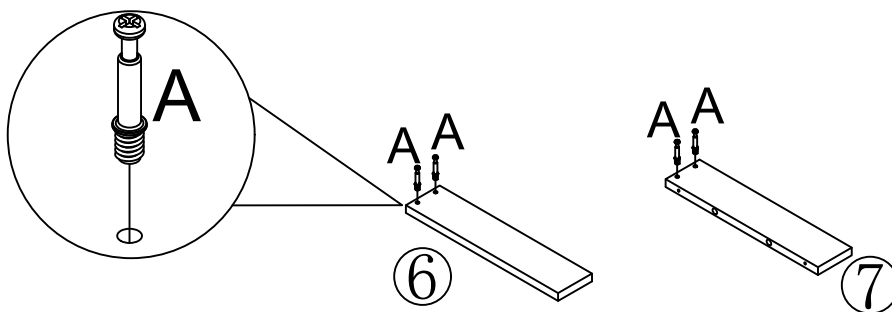
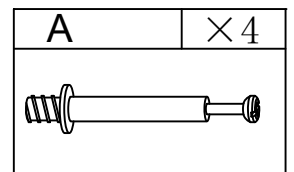


During this step, be careful not to let the cabinet tip over on its own


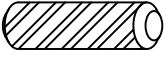

# Step 7

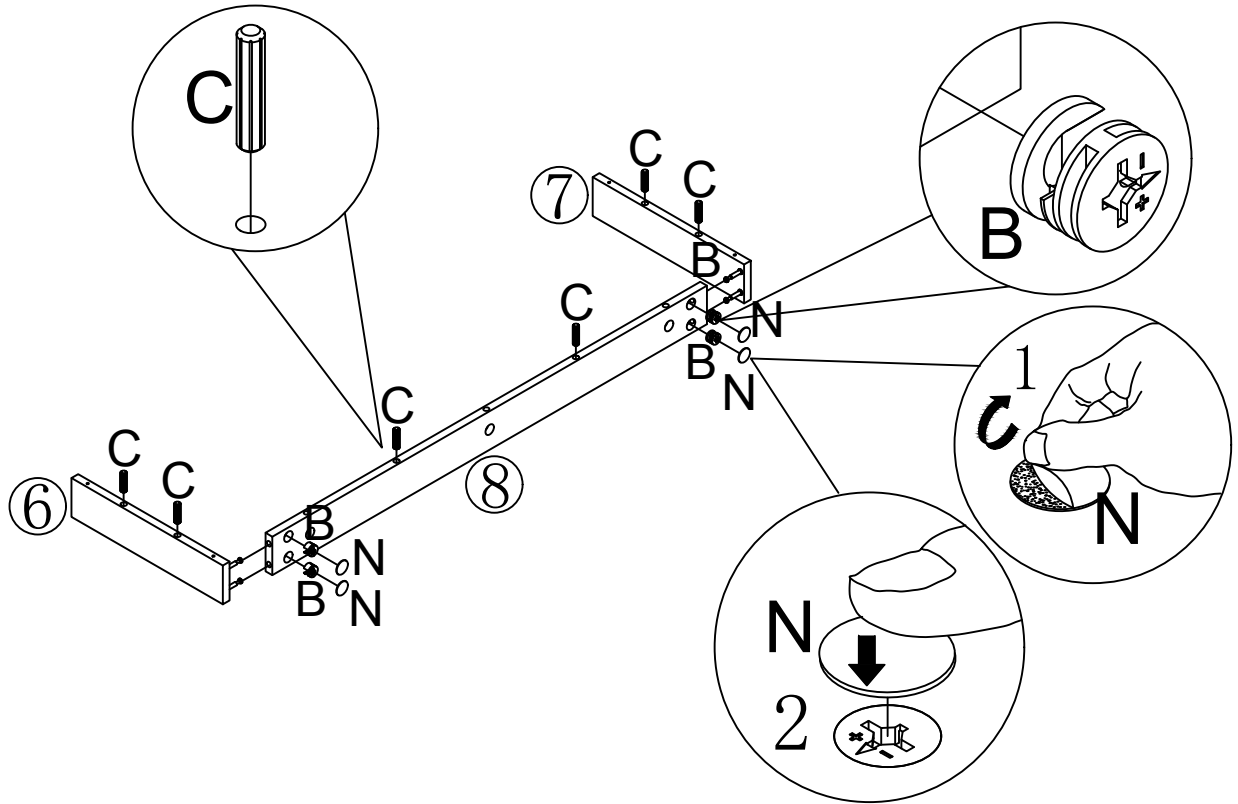


# Step 8

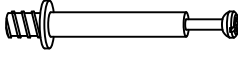




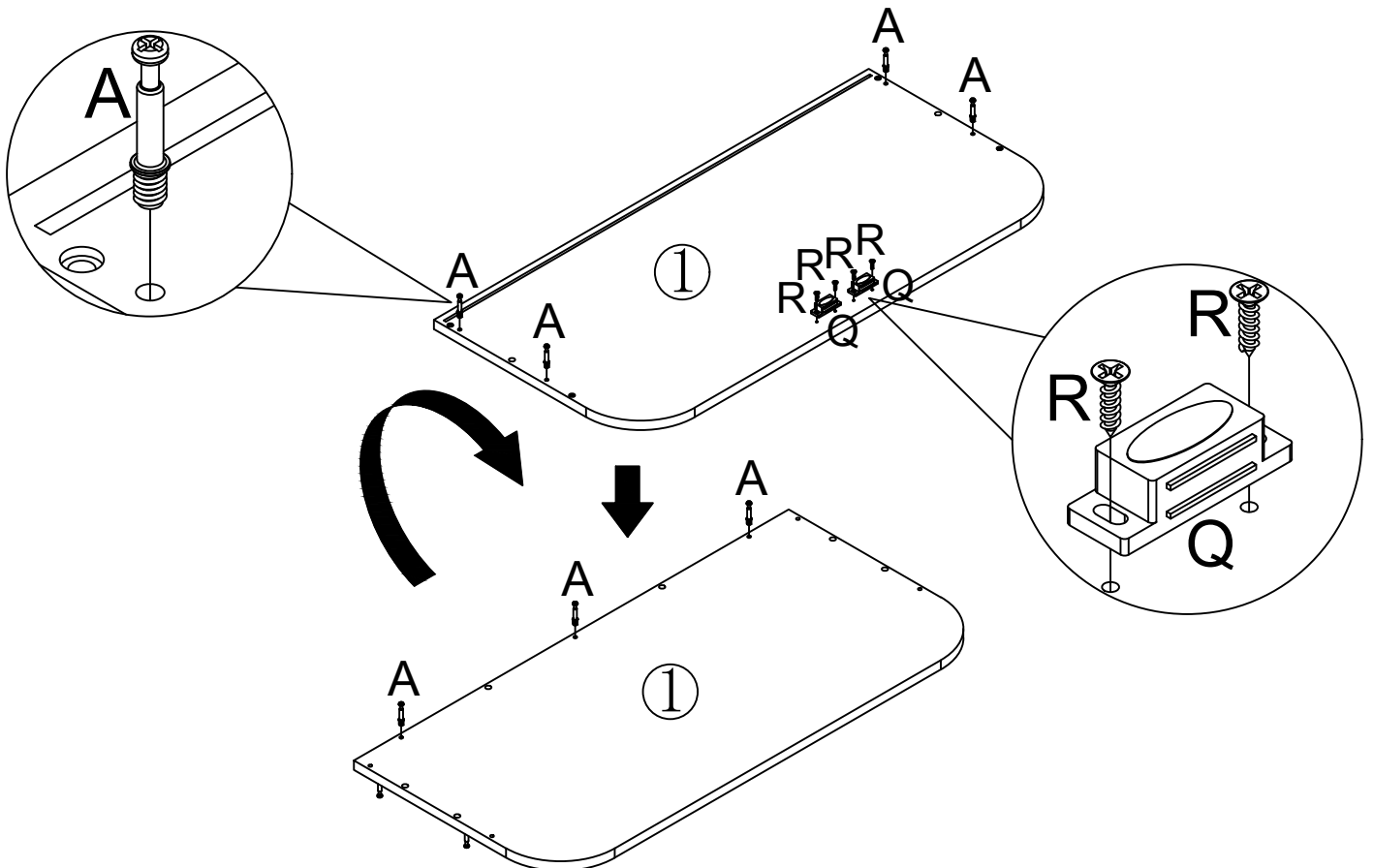
# Step 9

B	×4	C	×6	N	×4
					



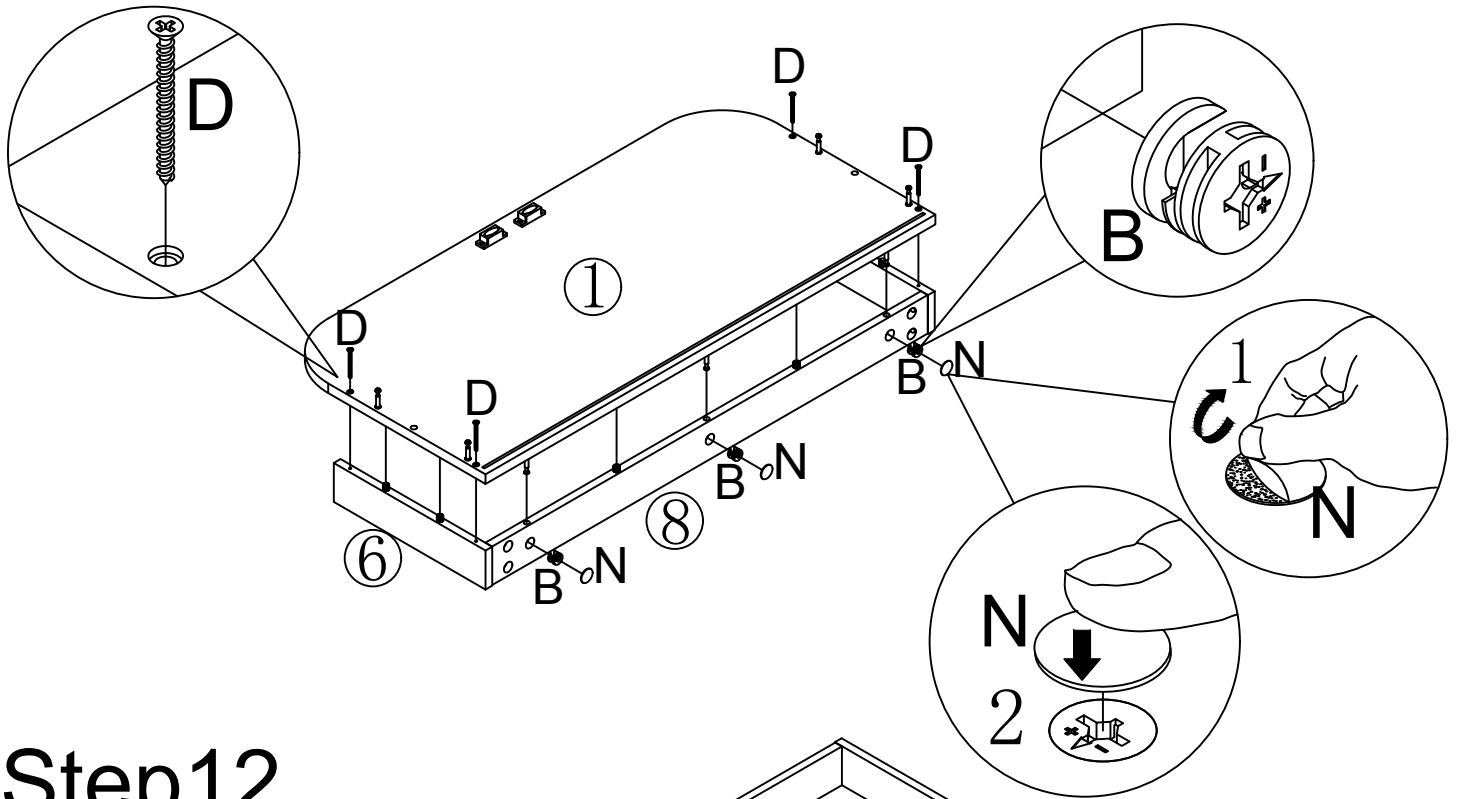
# Step 10

A	×7	Q	×2	R	×4
					



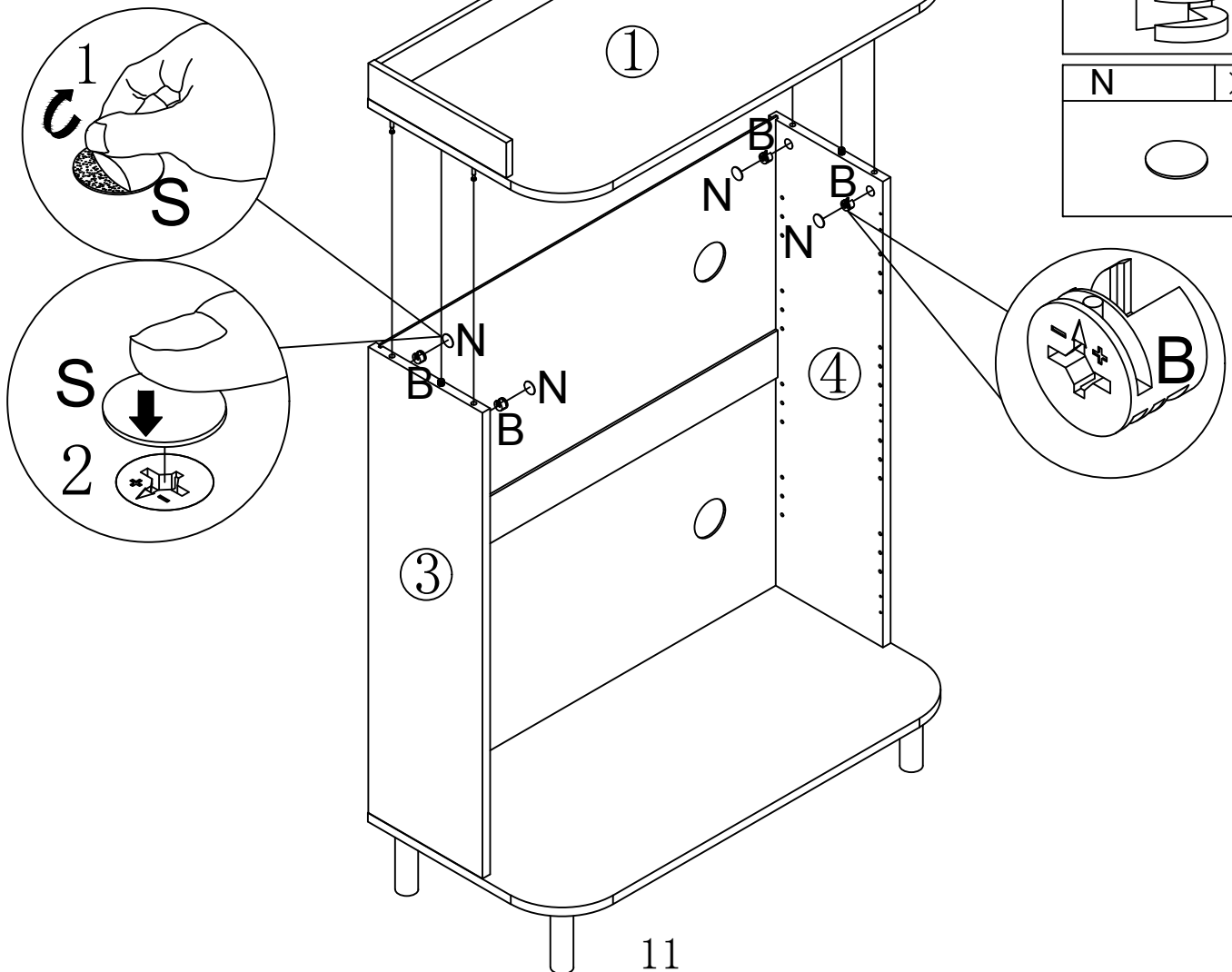
# Step 11

B	×3	D	×4	N	×3

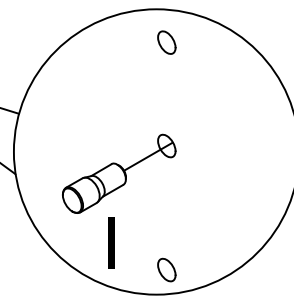
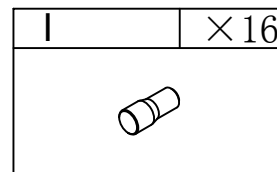
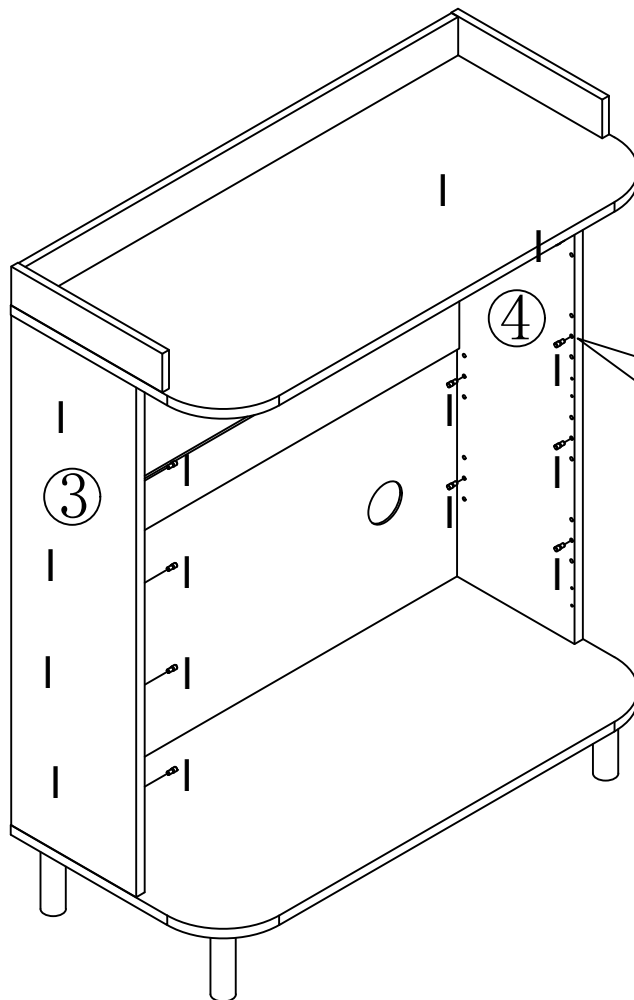


# Step 12

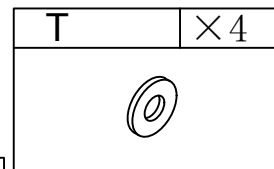
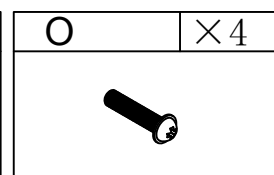
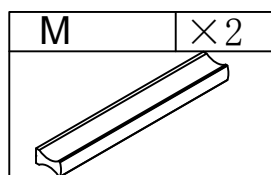
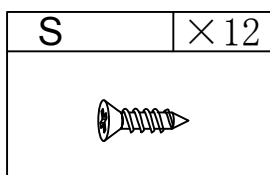
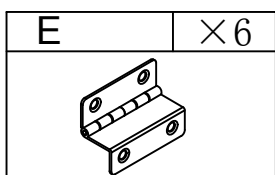
B	×4
N	×4



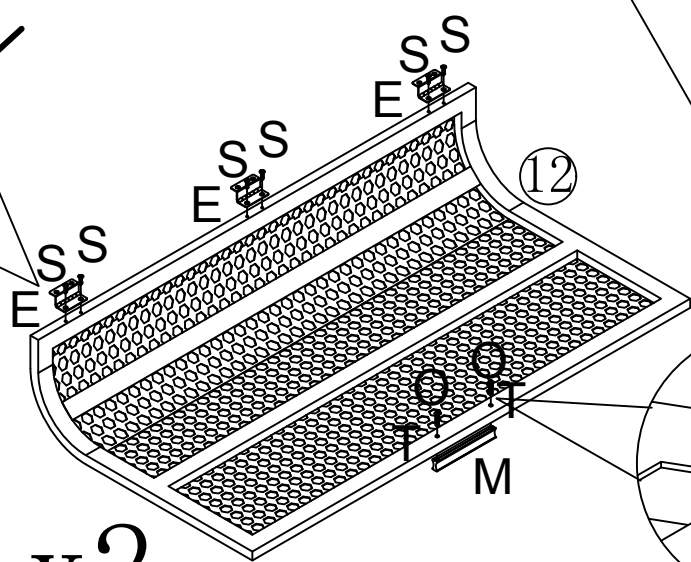
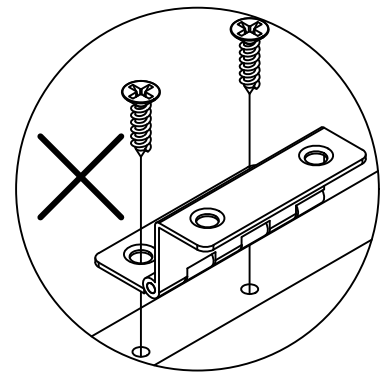
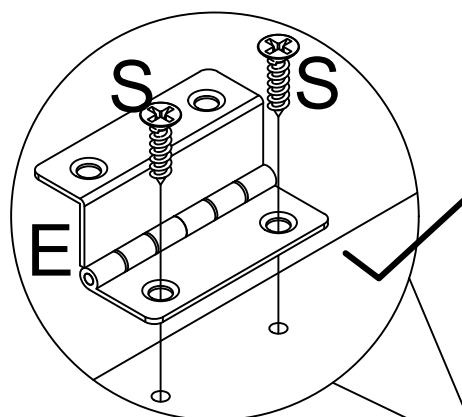
# Step 13



# Step 14

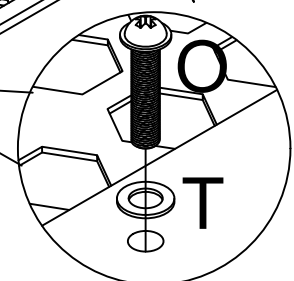


Attention! If screw (O) is too short to lock handle (M), remove washer (T), ignore this prompt if it can be locked

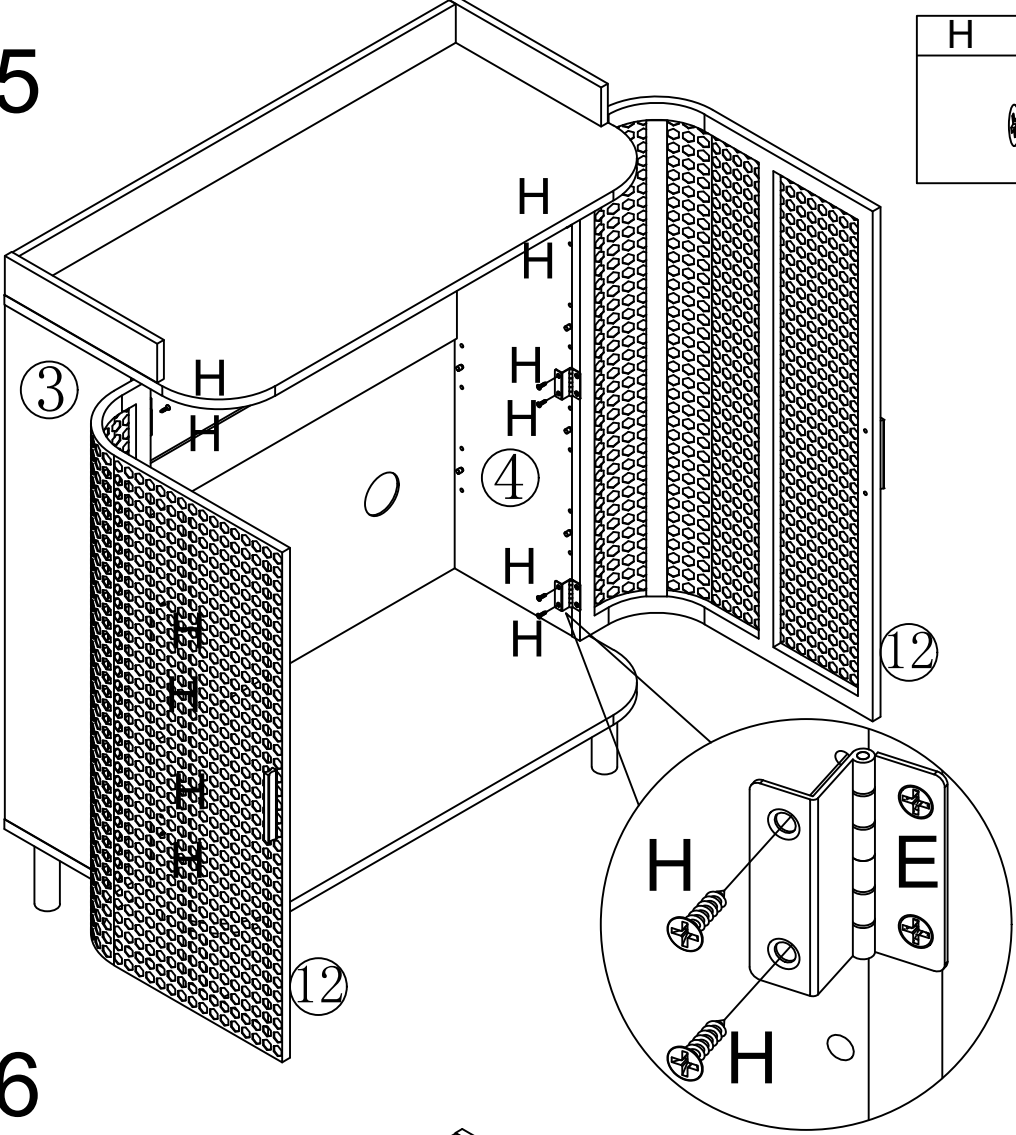


x2

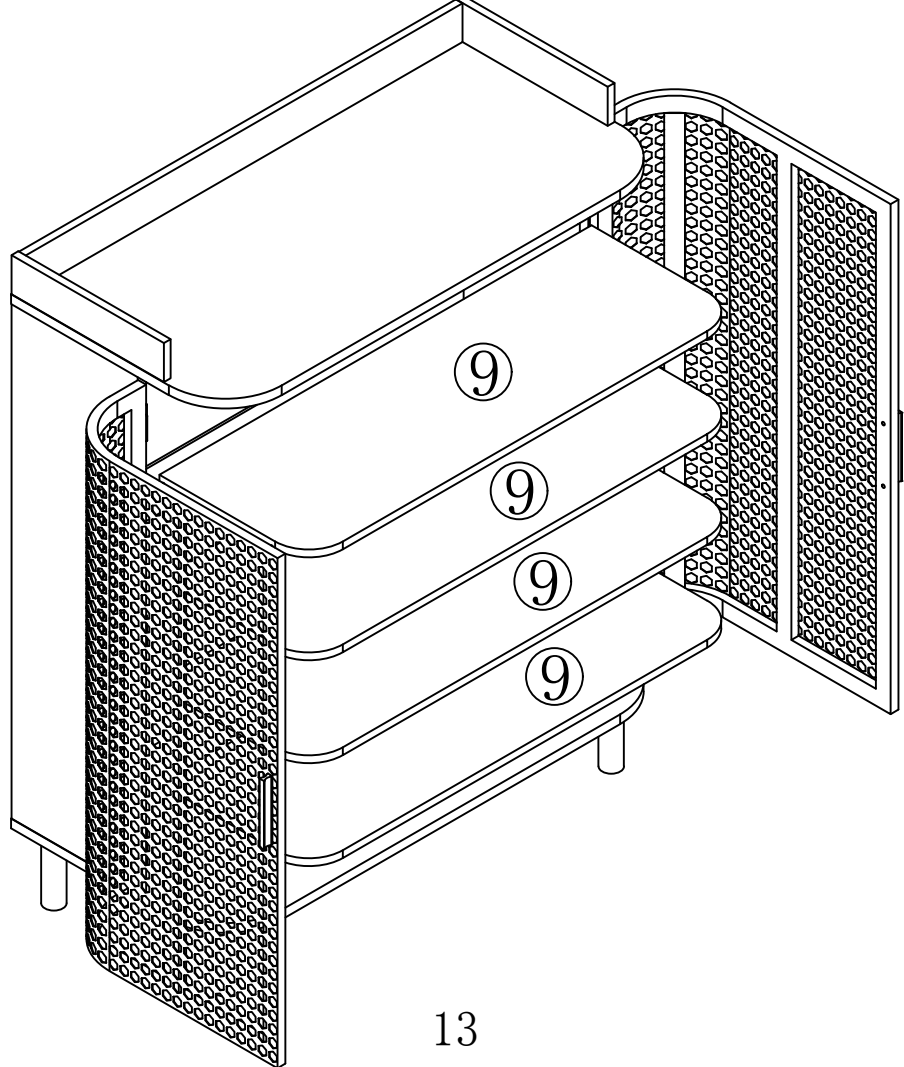
12




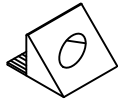
# Step 15

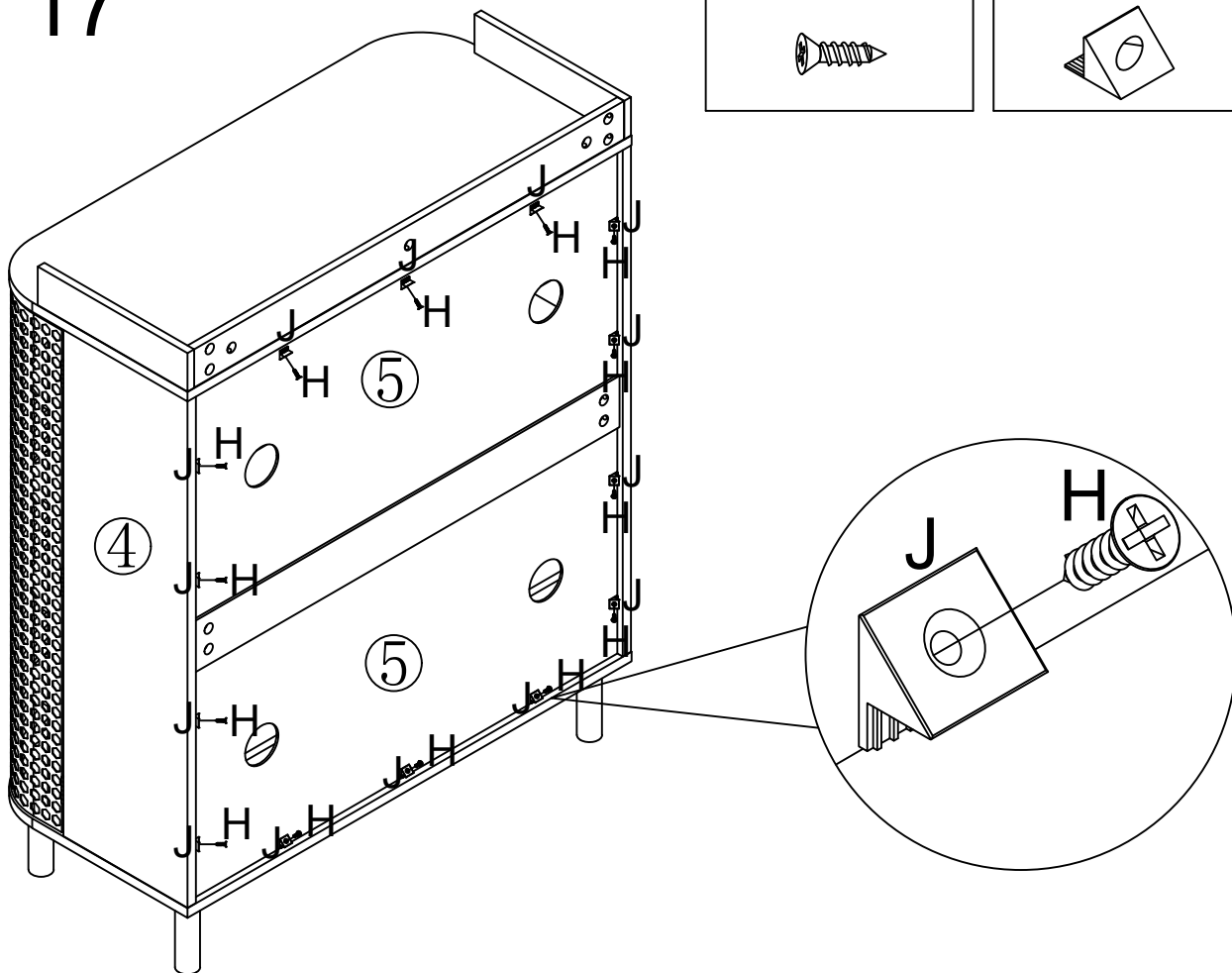


# Step 16

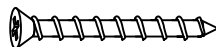
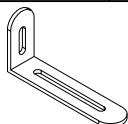



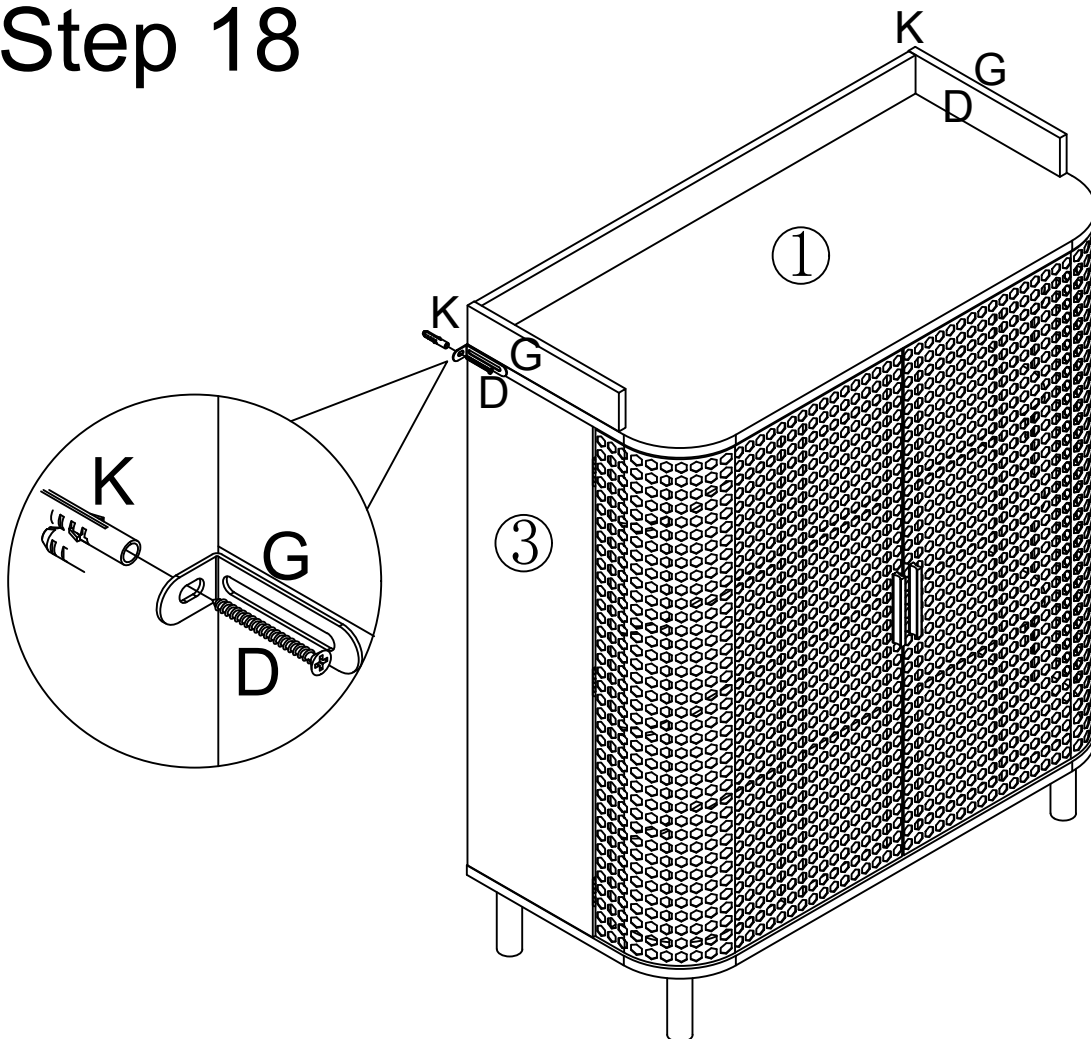
# Step 17

H	×14	J	×14
			

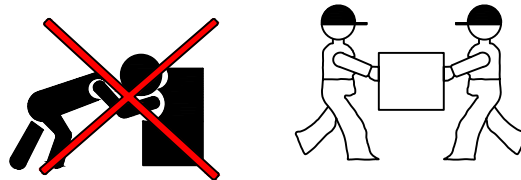
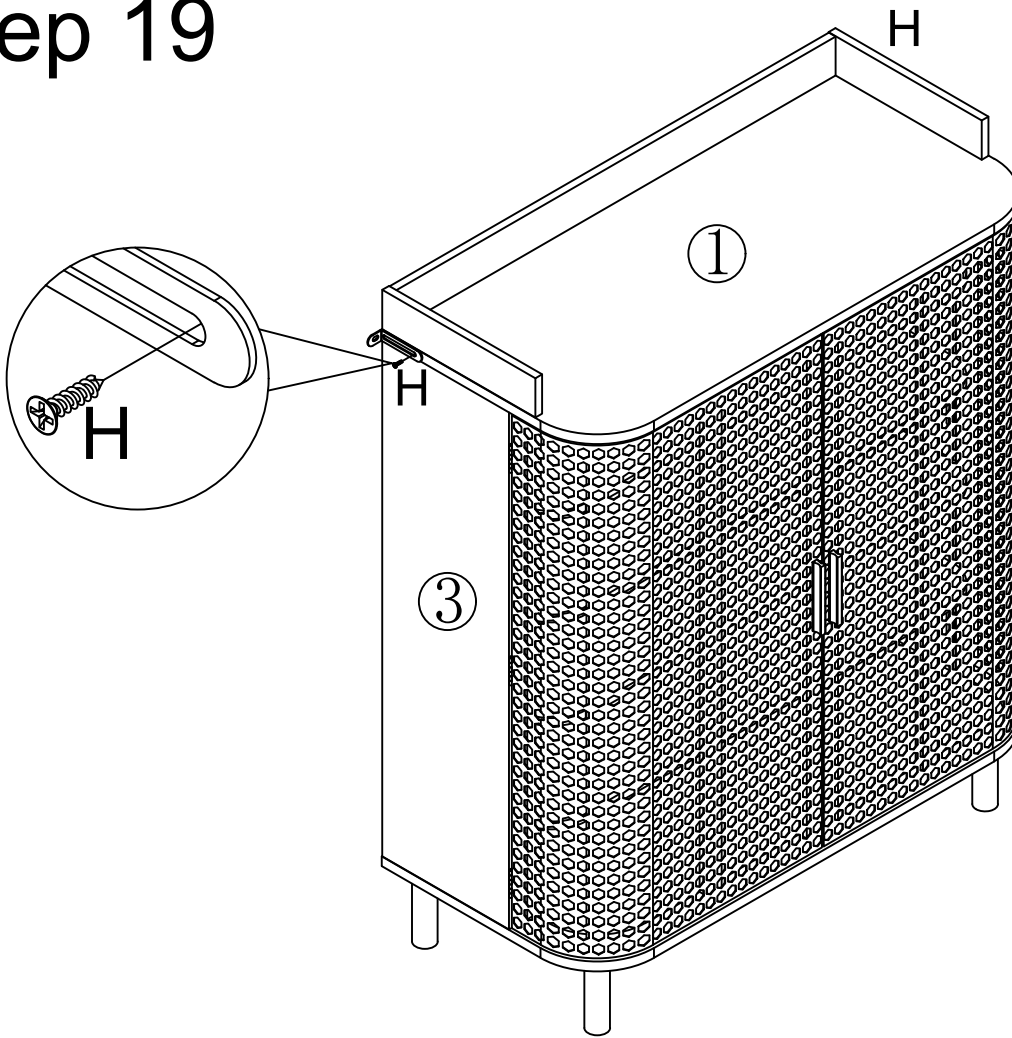
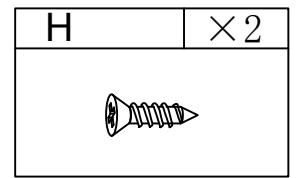


# Step 18

D	×2
	
G	×2
	
K	×2
	



# Step 19



Two people work together to move the table.  
Make sure you lift it off the ground.  
Don't push and pull.