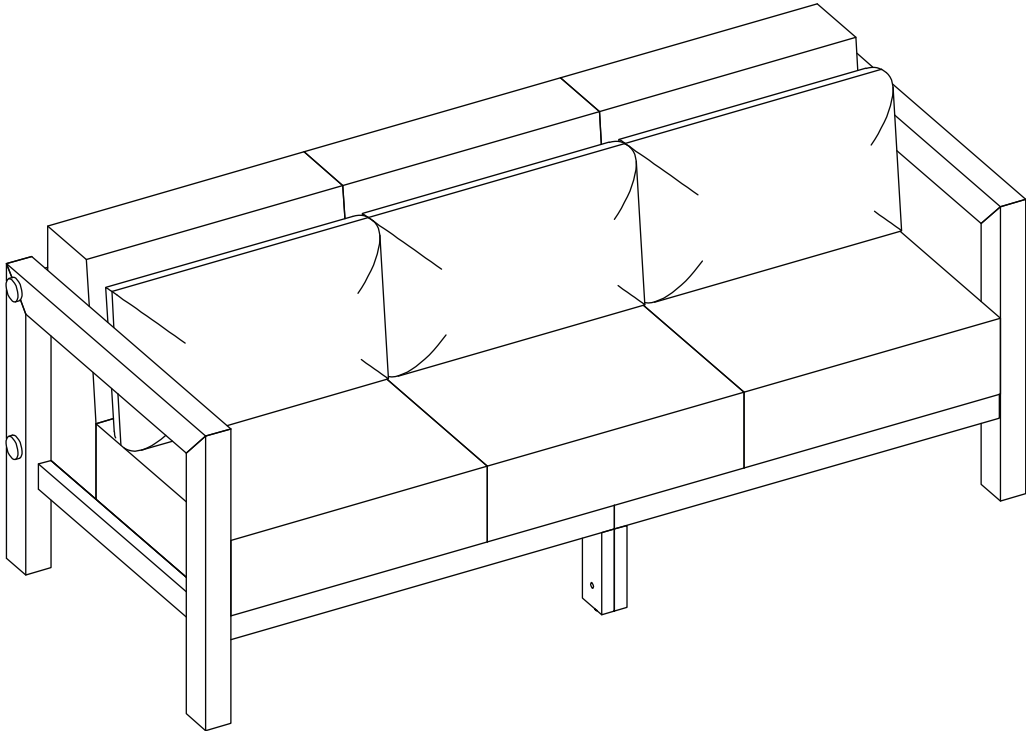


CRUISE EUCALYPTUS WOOD PATIO SOFA

DESIGN # CPT1077

Assembly Instructions

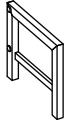
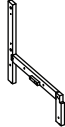

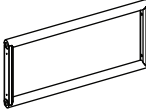
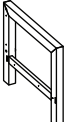
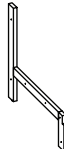

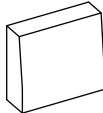
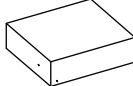
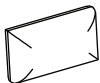


SAFAVIEH
C O U T U R E






Thanks for bringing Safavieh Couture into Your home

Every thing we make is incredibly simple to set up, including your new sofa. You won't need any additional tools.

Parts List

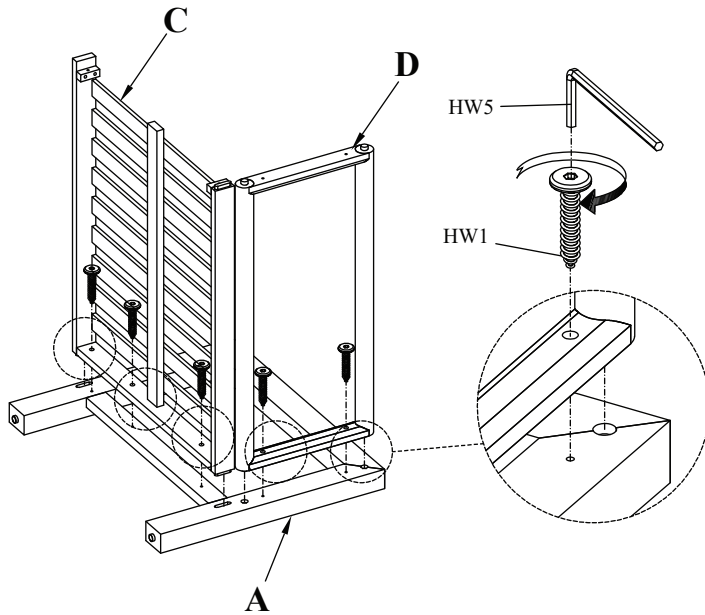
- A x 1
Right leg Panel 
- B x 1
Right Middle leg Panel 
- C x 1
Right Seat panel 
- D x 2
Back panel 
- E x 1
Left leg Panel 
- F x 1
Left Middle leg Panel 
- G x 1
Left Seat panel 
- CSH1 x 3
Back Cushion 
- CSH2 x 3
Seat Cushion 
- CSH3 x 3
Pillow 

Hardware List

- HW1 x 16
Screws M6x0.5x 45 mm 
- HW2 x 1
Long Bolt M6x0.5x110 
- HW3 x 5
Short Bolt M6x0.5x50 
- HW4 x 6
Sleeve Nut M6x0.5x15 
- HW5 x 2
Allen key 

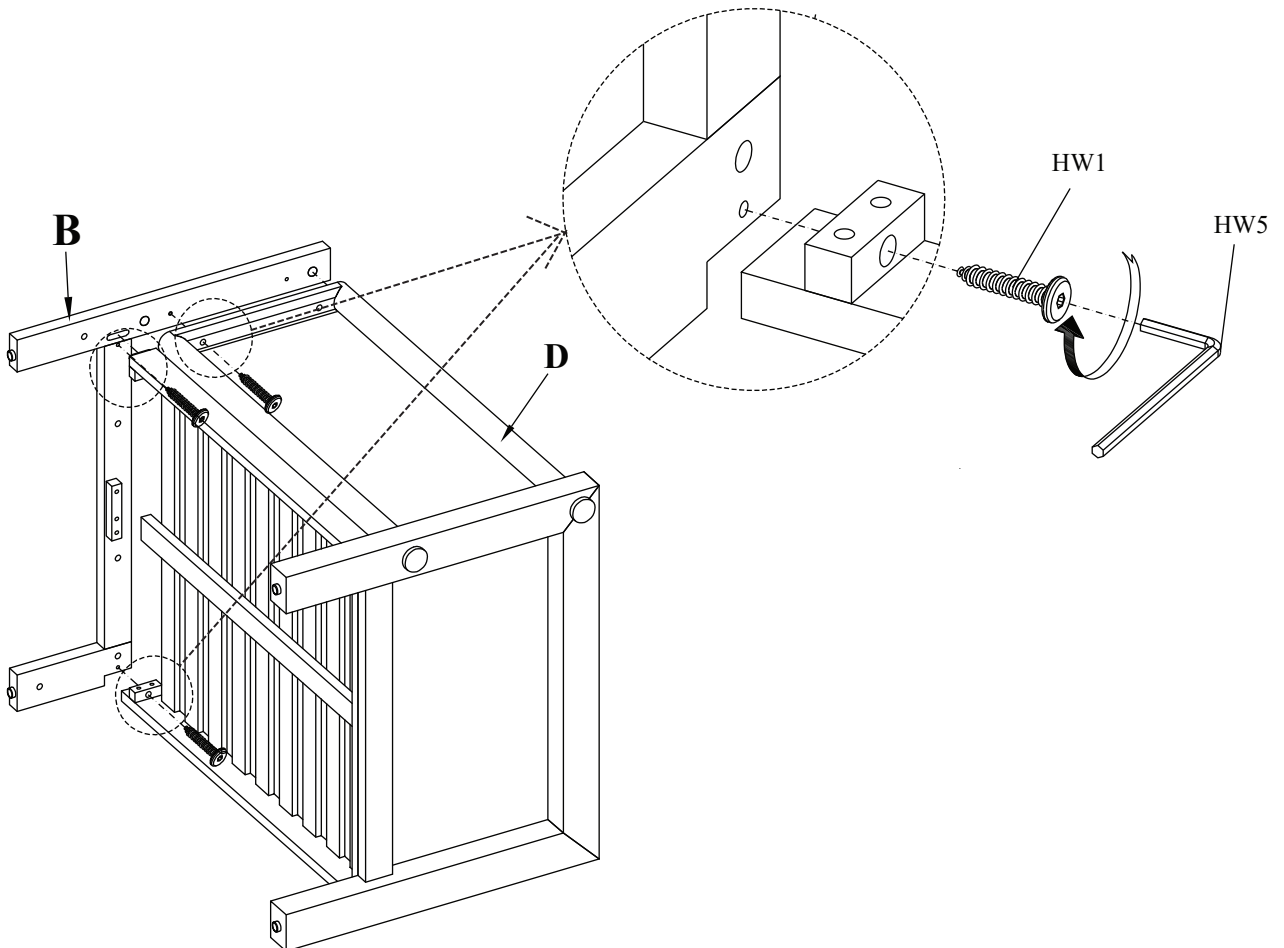
1

Place the Right Leg Panel (A) on a soft and clean surface with the inside facing up. Align the screw holes on the Back Panel (D) and the Right Seat Panel (C) to the screw holes on the Right Leg Panel (A). Attach them together by using the Allen Key (HW5) to screw in the Screws (HW1) in the spots shown below.



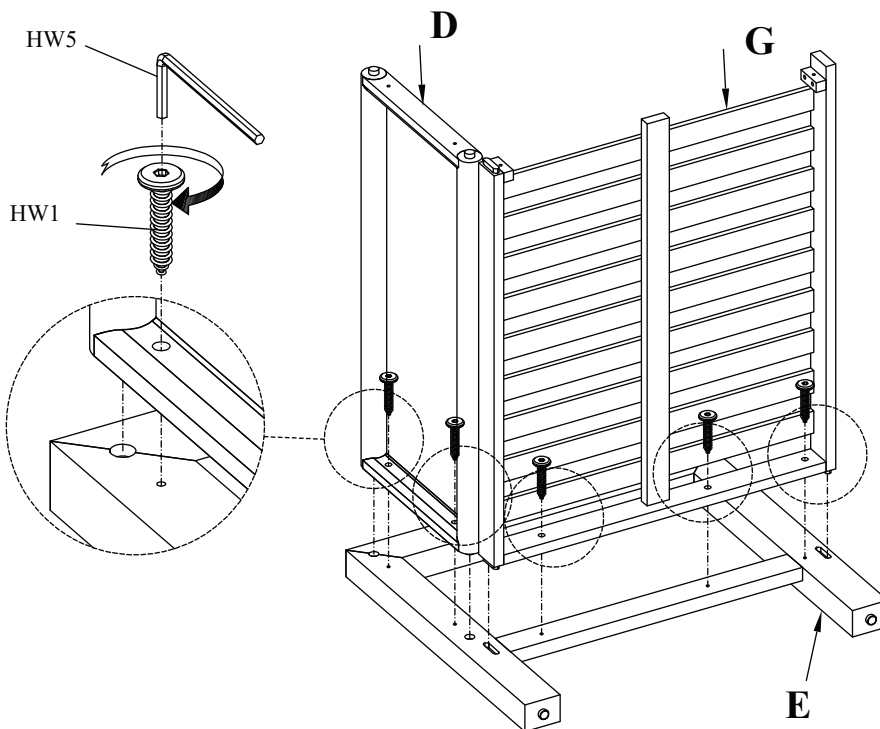
2

Align the other side of the Back Panel (D) and Right Seat Panel (C) to the Right Middle Leg Panel (B). Attach them together by using the Allen Key (HW5) to screw in the Screws (HW1) in the spots shown below.



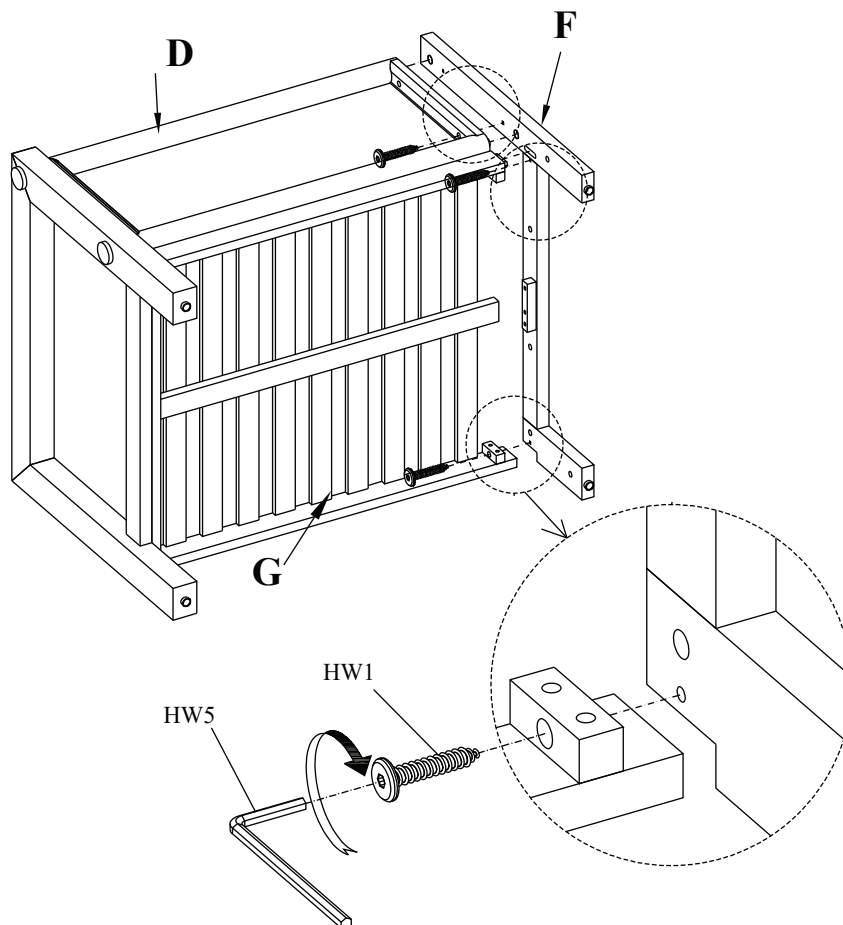
3

Align the screw holes on the Left Leg Panel (E) to screw the screw holes on the 2nd Back Panel (D) and the Left Seat Panel (G). Attach them together by using the Allen Key (HW2) to screw in the Screws (HW1) in the spots shown below.



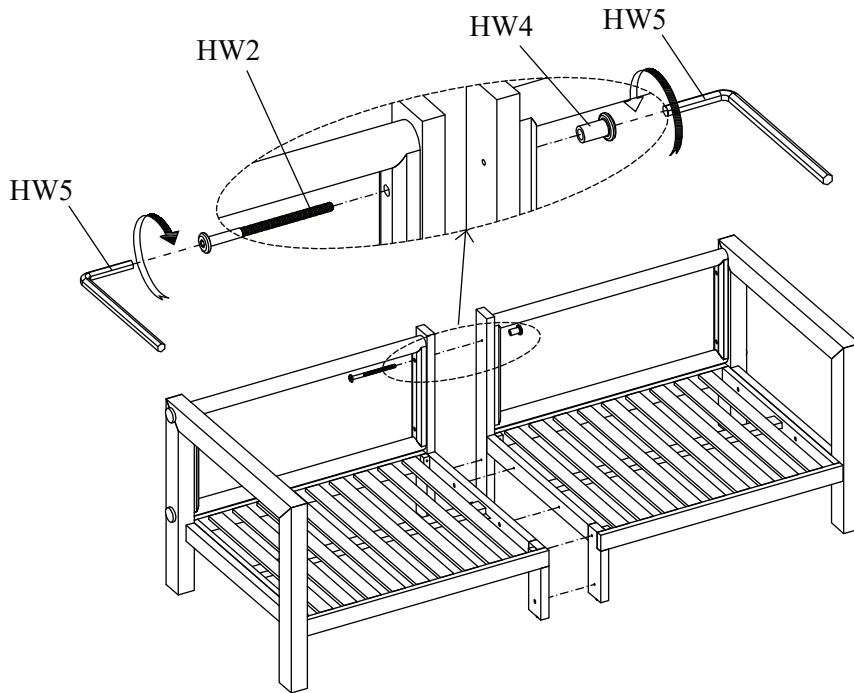
4

Align the other side of the 2nd Back Panel (D) and Left Seat Panel (G) to the Left Middle Leg Panel (F). Attach them together by using the Allen Key (HW5) to screw in the Screws (HW1) in the spots shown below.



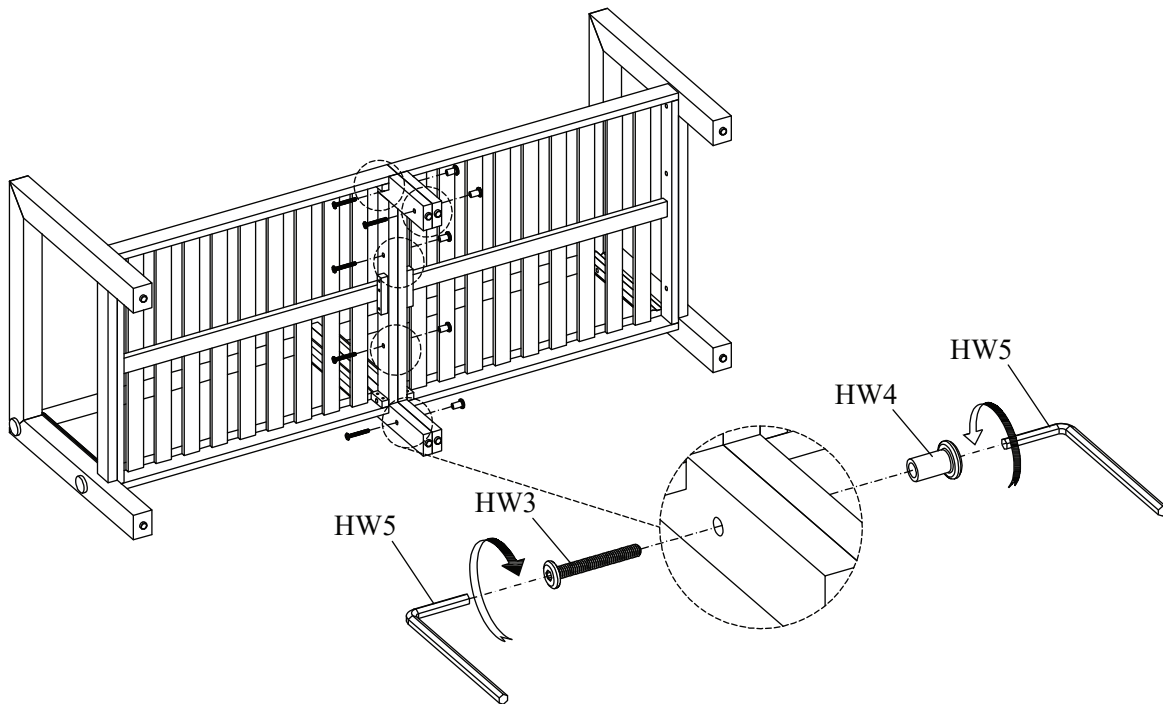
5

Turn the 2 halves of the sofa upright and align the screw holes in the center together. To attach the 2 backs together, insert the Long Bolt (HW2) into the hole on the Back Panels (D). Screw the Sleeve Nut (HW4) onto the end of the Long Bolt (HW4). Use the Allen Key to completely tighten the bolt.

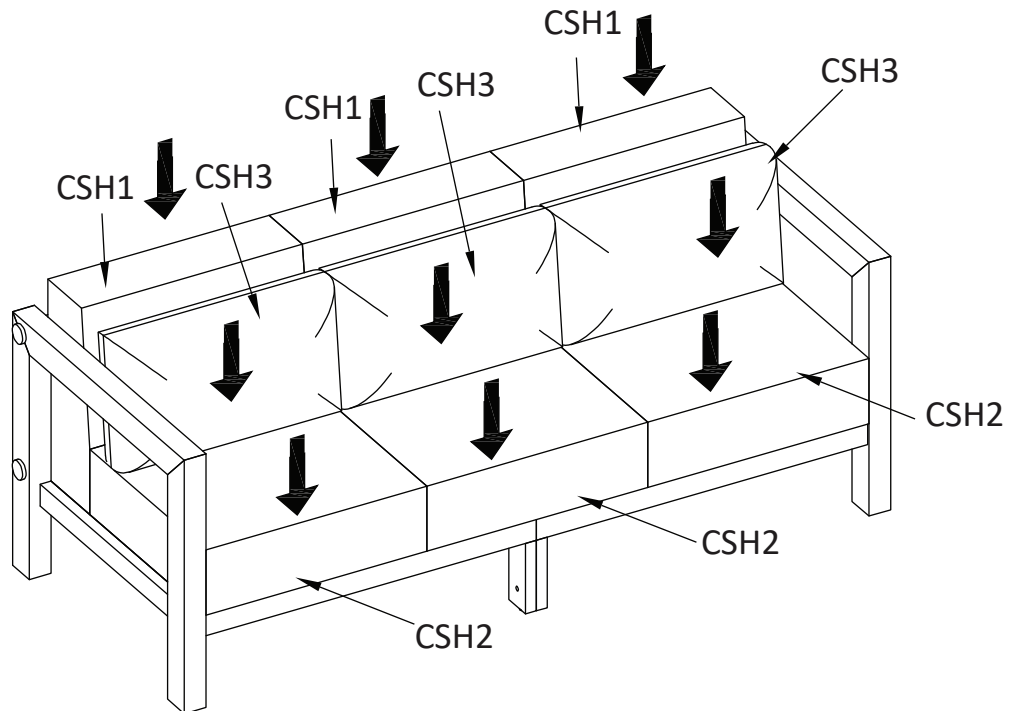


6

Attach the legs together by inserting the Short Bolts (HW3) into the holes on the legs, then screw the Sleeve Nut (HW4) onto the ends of the Short Bolts (HW3). Use the Allen Key to completely tighten the bolts.

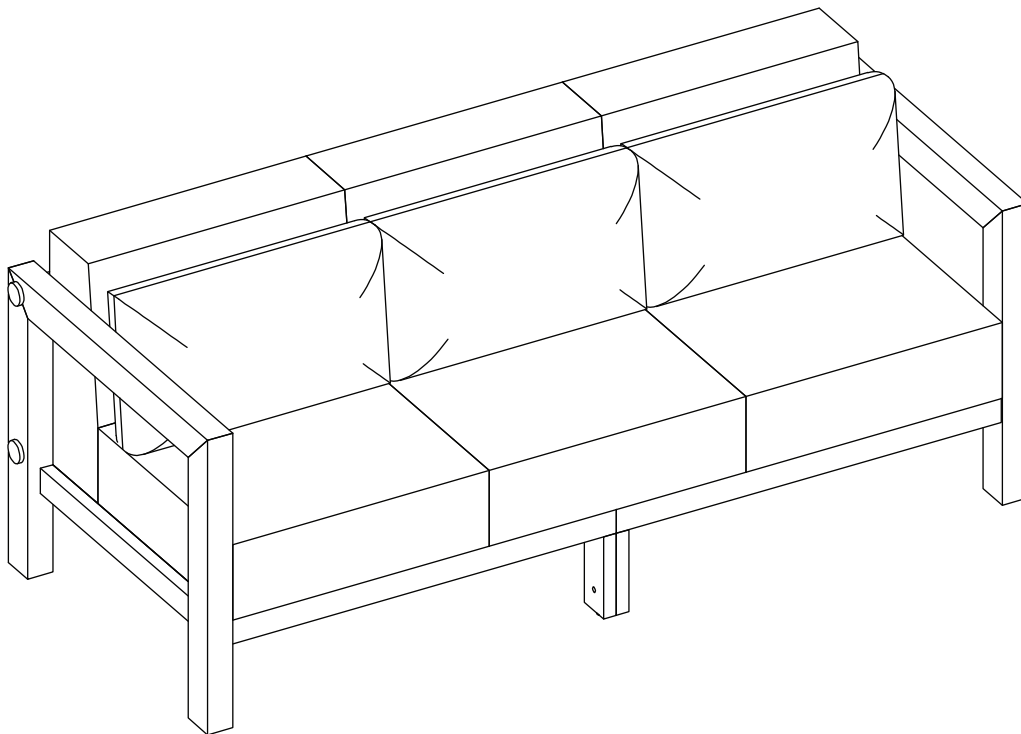


Turn the assembled sofa upright and make sure it doesn't wobble. Place the Seat Cushions (CSH2), Back Cushions (CSH1), and Pillows (CSH3) on the assembled sofa.



Place the sofa in the place where you will use it. We'd love to see it – just tag us (we're @safavieh) and use the hashtag #safavieh on Instagram!

@safavieh



Need help?

Feel free to contact us via email or call

If you have any specific question!

Contact us:

CS@safavieh.com

866-422-9070