

**CONTACT US FIRST
BEFORE MAKING ANY RETURNS TO THE RETAILER.**



Holds **more** than
dresses.

Dresser

NOTE: THIS INSTRUCTION
BOOKLET CONTAINS **IMPORTANT**
SAFETY INFORMATION.

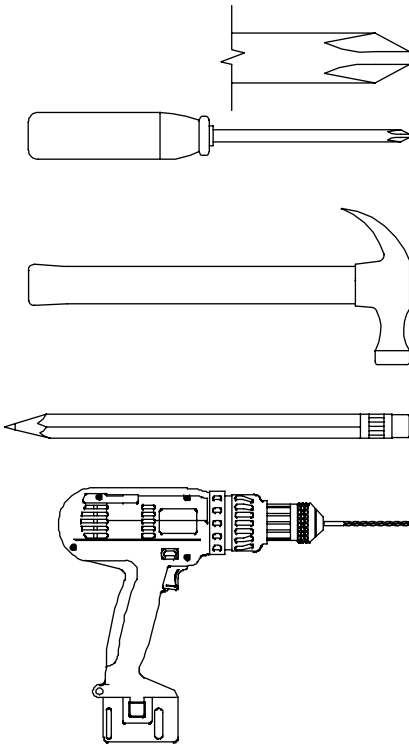
PLEASE READ AND KEEP FOR
FUTURE REFERENCE.

English pg 1-38
Français pg 39-43
Español pg 44-48

Table of Contents

Assembly Tools Required

| | |
|-------------------------|-------|
| Part Identification | 2-3 |
| Hardware Identification | 4-5 |
| Hardware Usage Guide | 6 |
| Assembly Steps | 7-38 |
| Français | 39-43 |
| Español | 44-48 |
| Safety | 49-50 |
| Warranty | 51 |



No. 2 Phillips Screwdriver
Tip Shown Actual Size

Hammer
Not actual size 😊

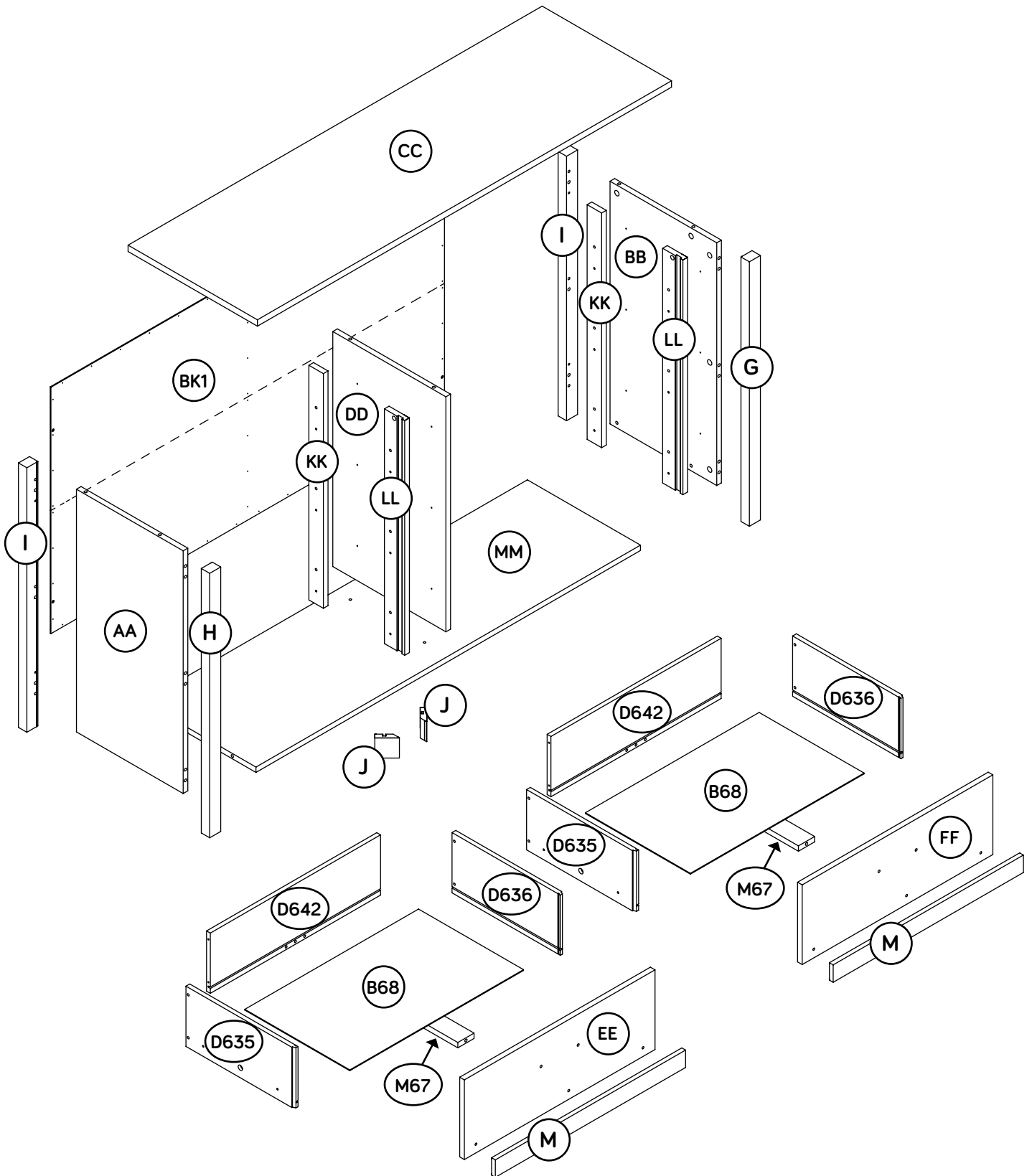
Pencil

Electric drill with 1/8" or 3/8" bit
(ONLY in indicated step)

Part Identification

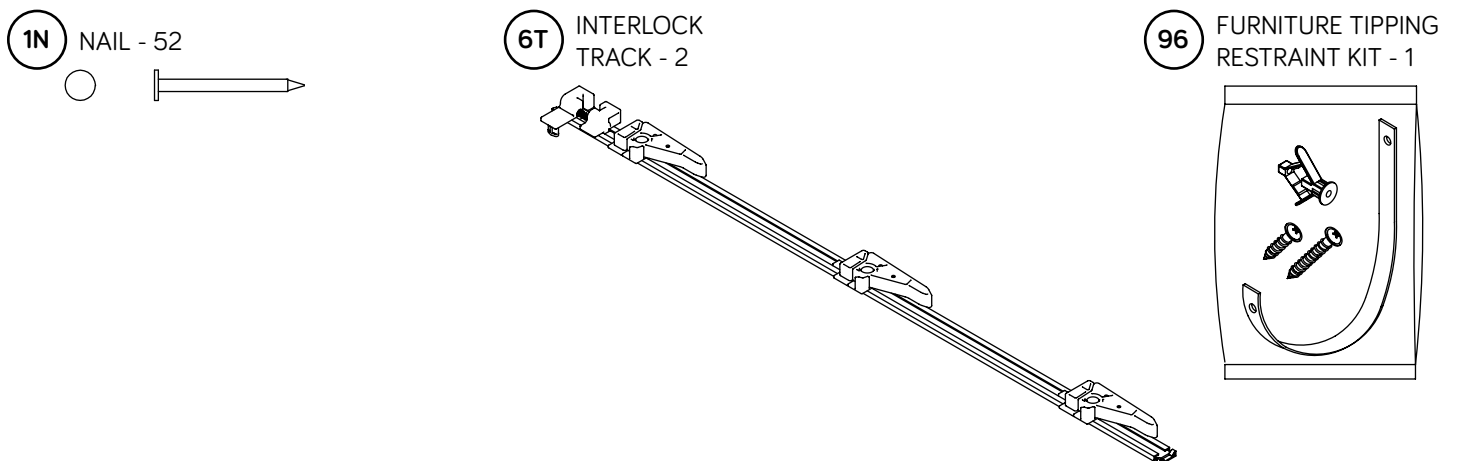
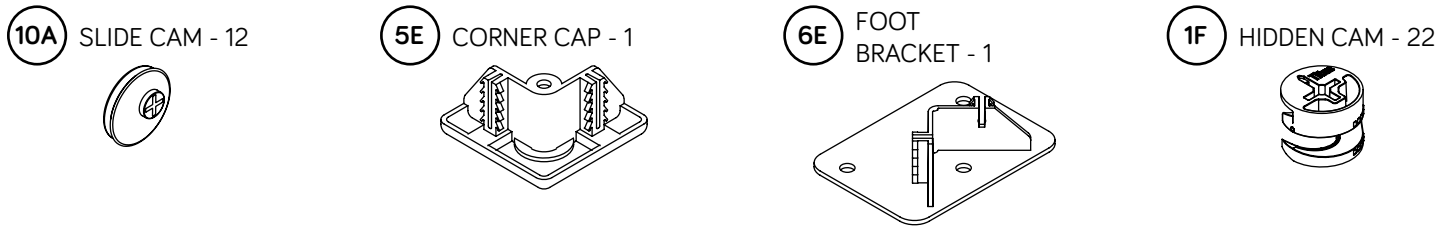
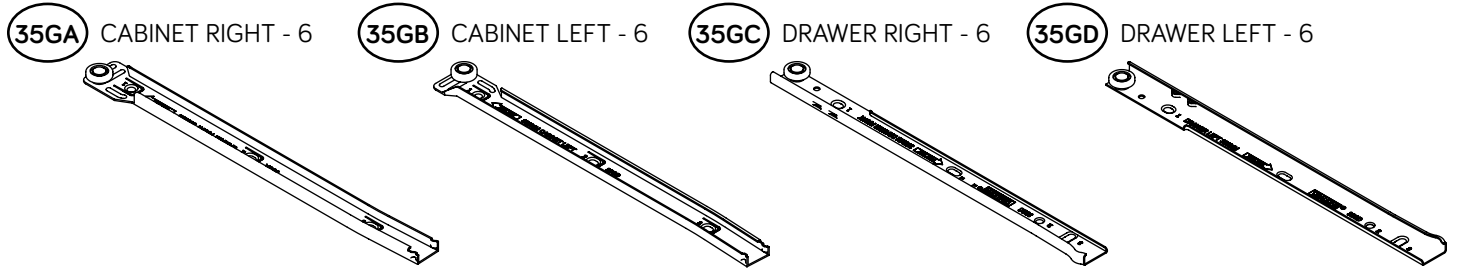
⚠ While not all parts are labeled, some of the parts will have a label or an inked letter on the edge to help distinguish similar parts from each other. Use this part identification to help identify similar parts.

| | | | | | |
|------|--|-----|--|----|-----------------------------|
| BK1 | BACK (1) | I | BACK LEG (2) | DD | UPRIGHT (1) |
| B68 | DRAWER BOTTOM (6) | J | FOOT (2) | EE | LEFT DRAWER FRONT (3) |
| D635 | LEFT DRAWER SIDE (6) - 1 with label | M | DRAWER FRONT MOLDING (6) | FF | RIGHT DRAWER FRONT (3) |
| D636 | RIGHT DRAWER SIDE (6) - 1 with logo | M67 | DRAWER BRACE (6) (Hidden part using recycled material. Color may vary.) | KK | EXTENSION BLOCK (2) |
| D642 | DRAWER BACK (6) | AA | LEFT END (1) | LL | GROOVED EXTENSION BLOCK (2) |
| G | RIGHT FRONT LEG (1) | BB | RIGHT END (1) | MM | BOTTOM (1) |
| H | LEFT FRONT LEG (1) | CC | TOP (1) | | |



Hardware Identification

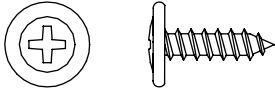
† Screws are shown actual size. You may receive extra hardware with your unit.



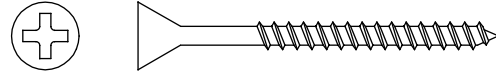
Hardware Identification

† Screws are shown actual size. You may receive extra hardware with your unit.

1S BLACK 9/16" LARGE HEAD SCREW - 5



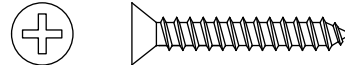
2S BLACK 1-7/8" FLAT HEAD SCREW - 2



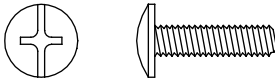
3S GOLD 5/16" FLAT HEAD SCREW - 48



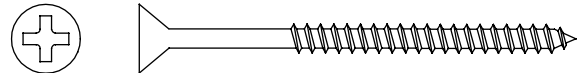
10S SILVER 1-1/8" FLAT HEAD SCREW - 12



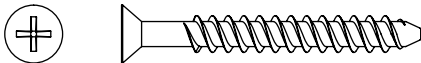
15S SILVER 5/8" MACHINE SCREW - 12



26S BLACK 2-1/4" FLAT HEAD SCREW - 6



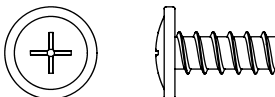
30S BLACK 1-9/16" FLAT HEAD SCREW - 30



60S BLACK 1" PAN HEAD SCREW - 18

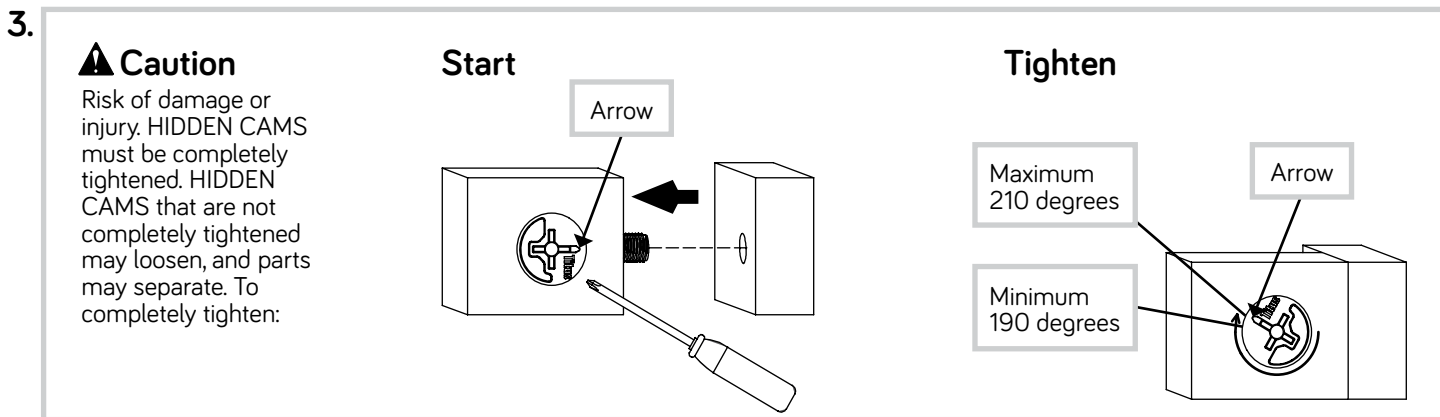
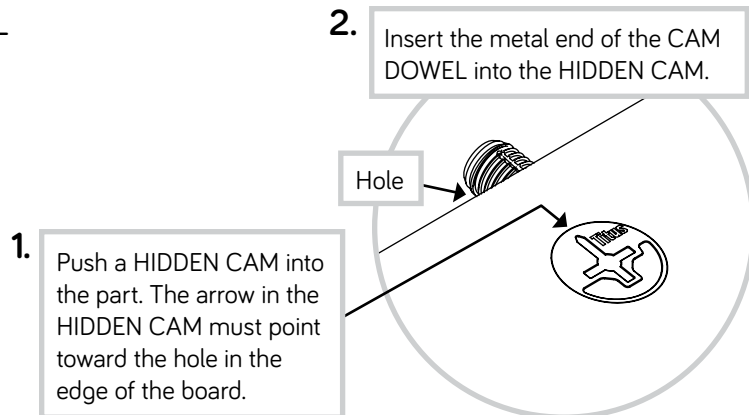
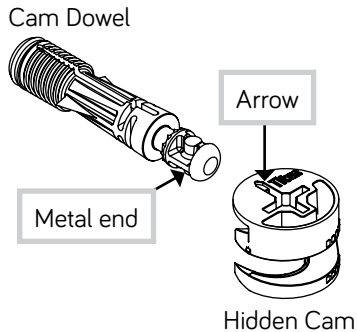


62S BLACK 9/16" EURO SCREW - 4

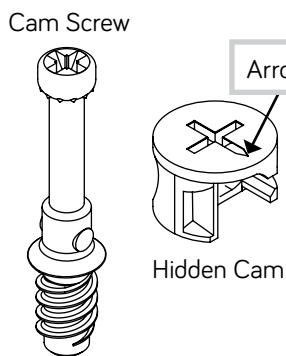


Hardware Usage Guide

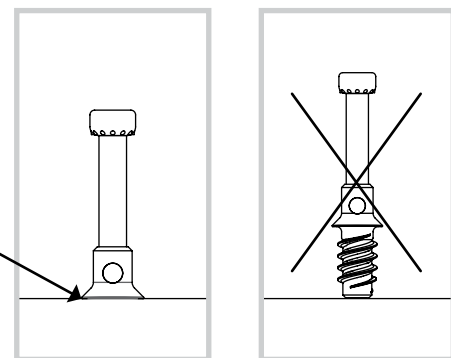
HOW TO USE A HIDDEN CAM & CAM DOWEL



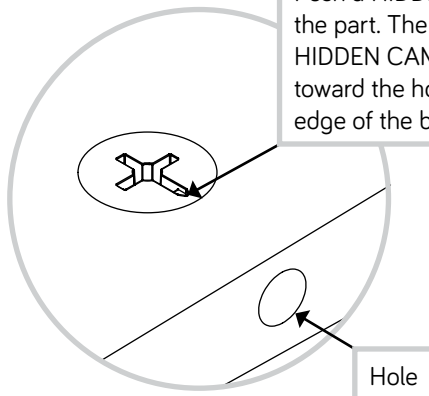
HOW TO USE A HIDDEN CAM & CAM SCREW



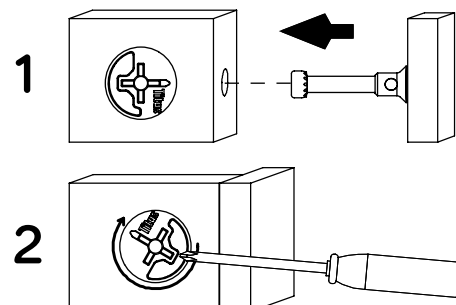
1. Turn the CAM SCREW until the shoulder is against the surface of the part.



2. Push a HIDDEN CAM into the part. The arrow in the HIDDEN CAM must point toward the hole in the edge of the board.



3. Insert the CAM SCREW into the HIDDEN CAM. Tighten the HIDDEN CAM.



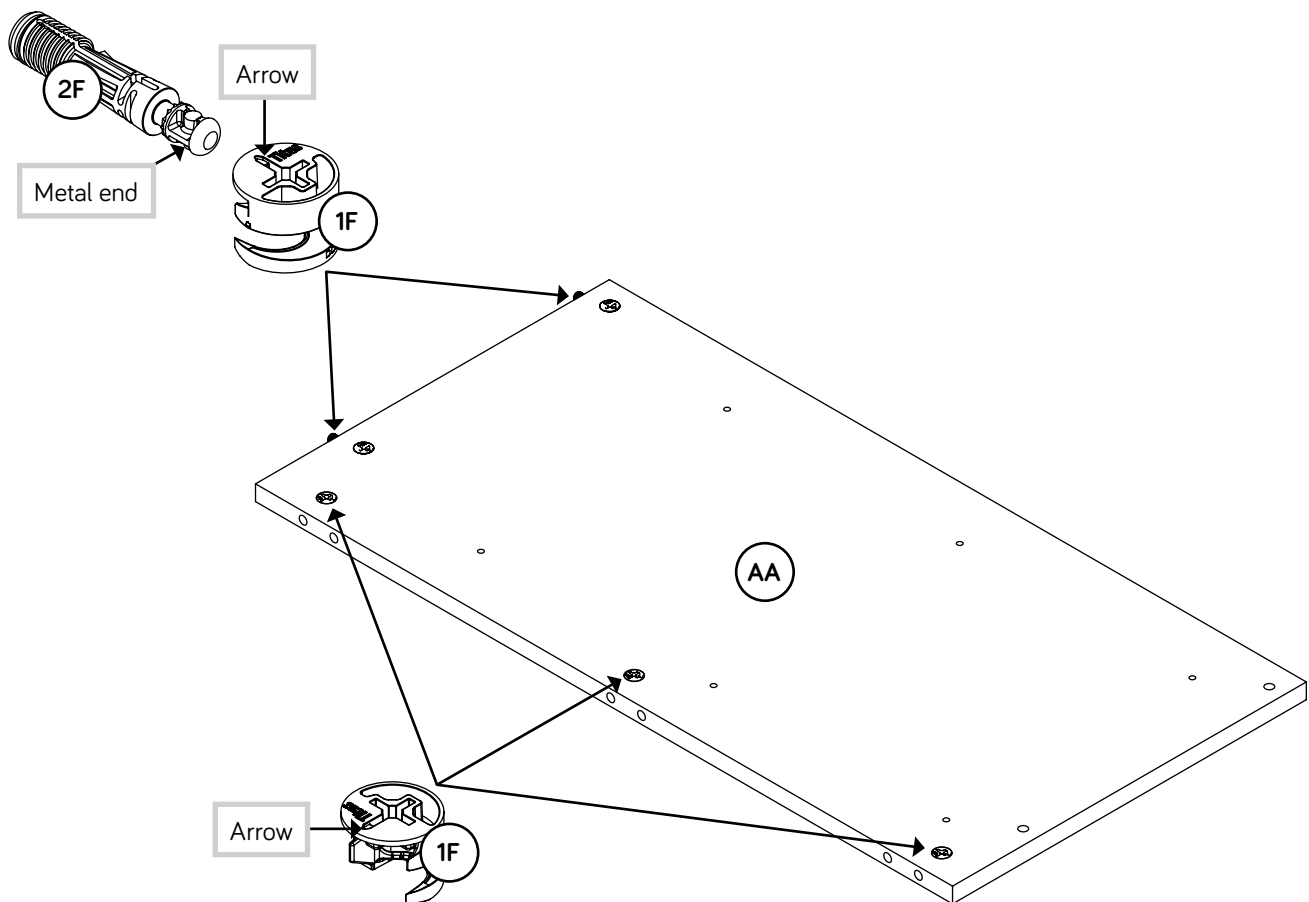
Step 1

- ✚ Assemble your unit on a carpeted floor or on the empty carton to avoid scratching your unit or the floor.
- ✚ Push two HIDDEN CAMS (1F) into the short edge of the LEFT END (AA). Then, insert the metal end of a CAM DOWEL (2F) into each HIDDEN CAM.
- ✚ Push three HIDDEN CAMS (1F) into the remaining holes.



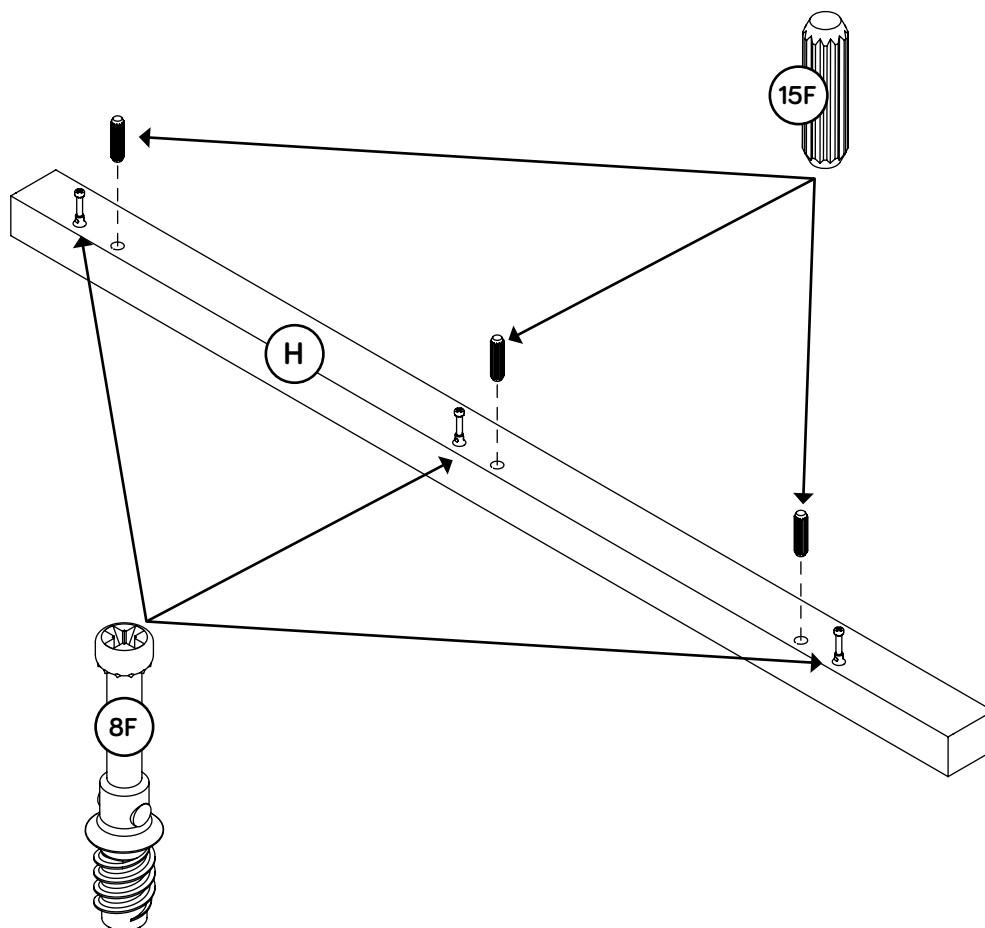
Some assembly
(and snacks) required.

Do not tighten the HIDDEN CAMS in this step.



Step 2

- ✚ Insert three WOOD DOWELS (15F) into the LEFT FRONT LEG (H).
- ✚ Turn three CAM SCREWS (8F) into the LEFT FRONT LEG (H).



Step 3

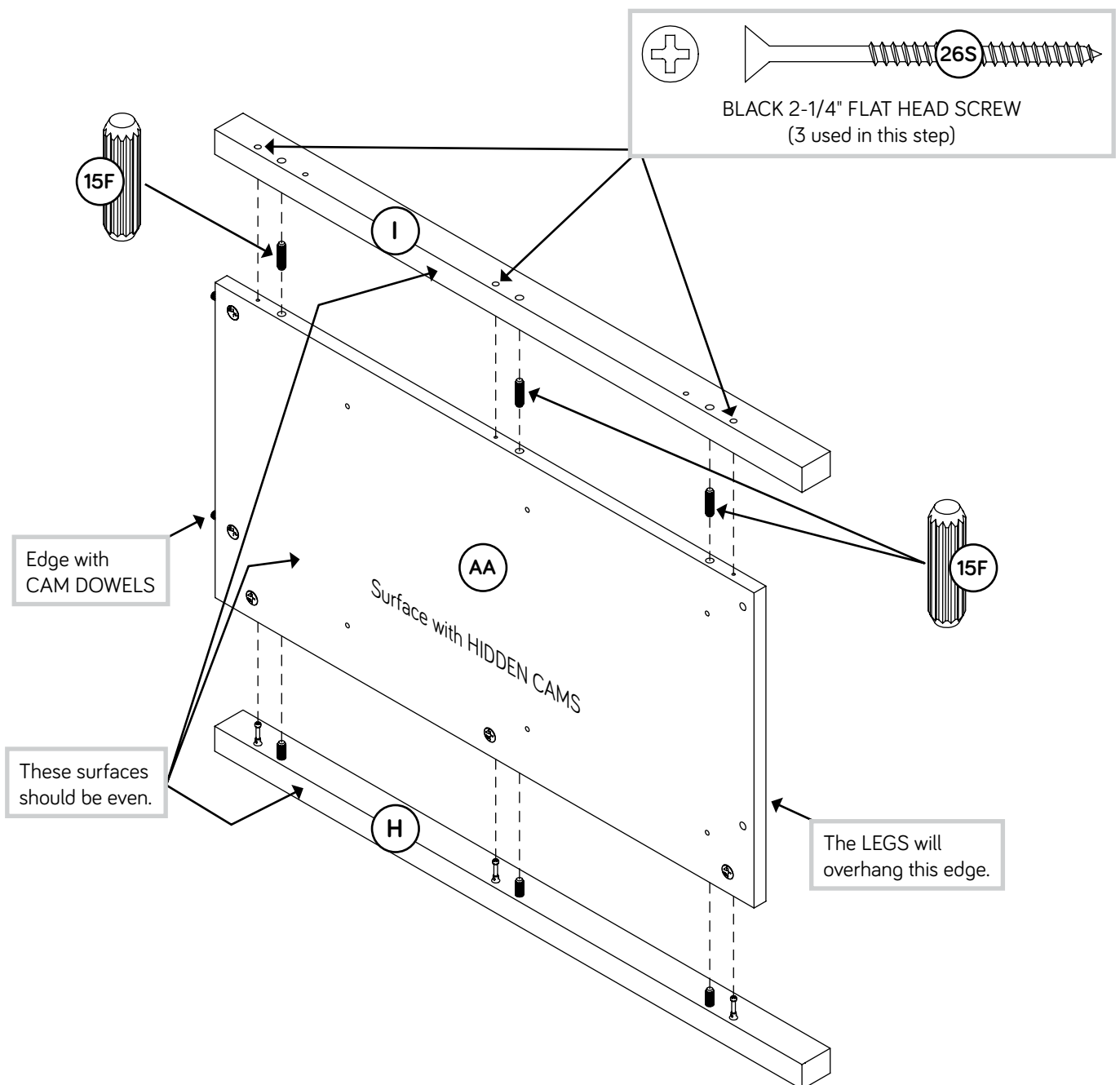
✚ Fasten the LEFT END (AA) to the LEFT FRONT LEG (H). Tighten three HIDDEN CAMS.

✚ NOTE: Be sure the WOOD DOWELS in the LEG insert into the END.

✚ Insert three WOOD DOWELS (15F) into the LEFT END (AA).

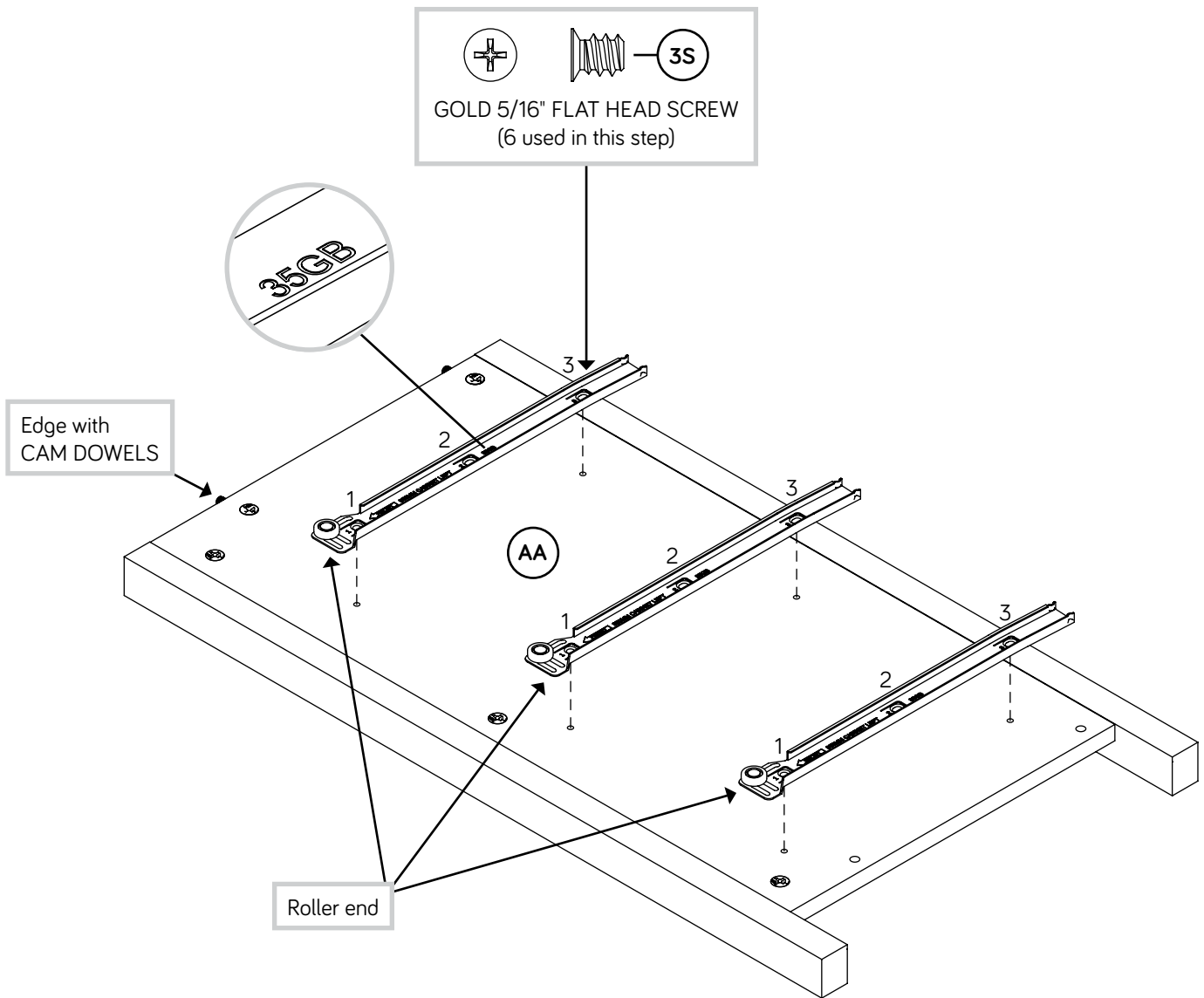
✚ Fasten one BACK LEG (I) to the LEFT END (AA). Use three BLACK 2-1/4" FLAT HEAD SCREWS (26S).

✚ NOTE: Be sure the WOOD DOWELS in the END insert into the LEG.



Step 4

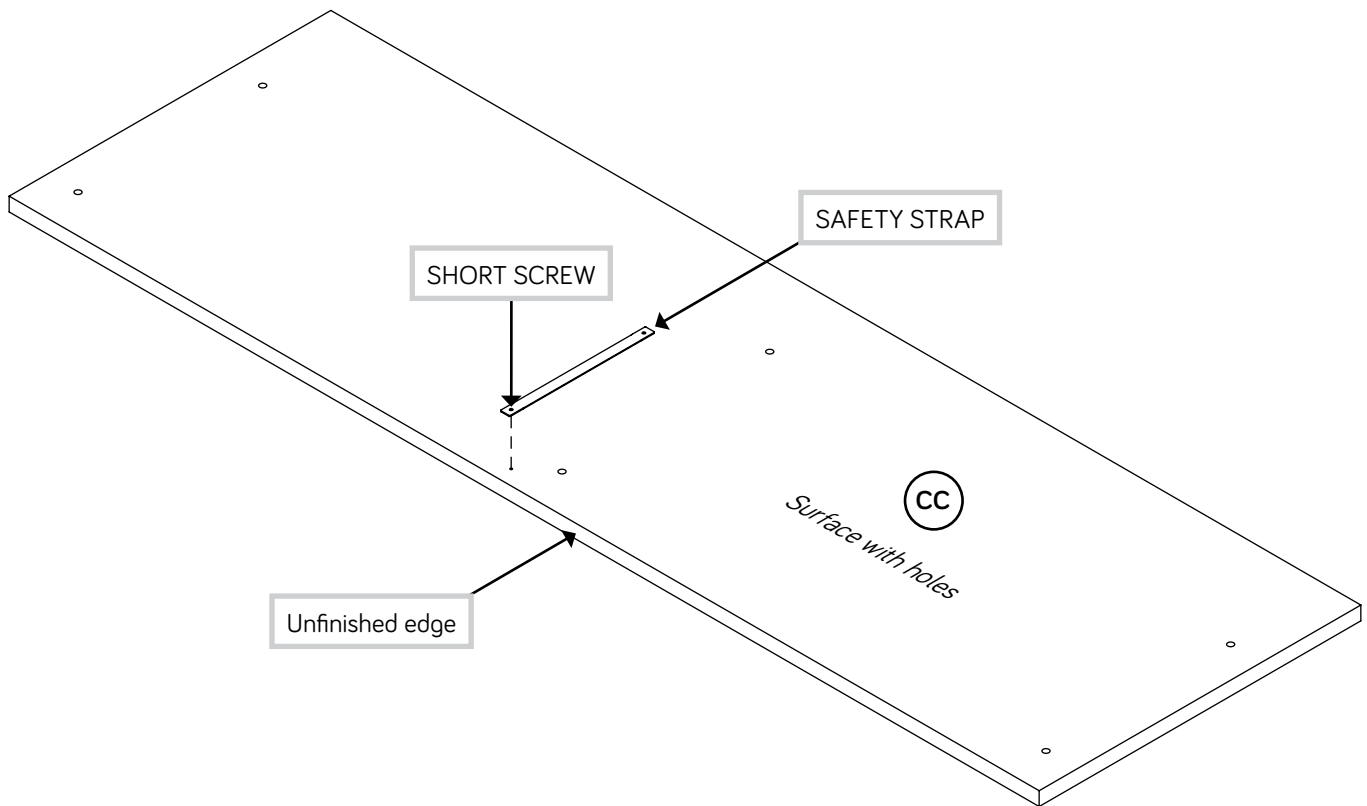
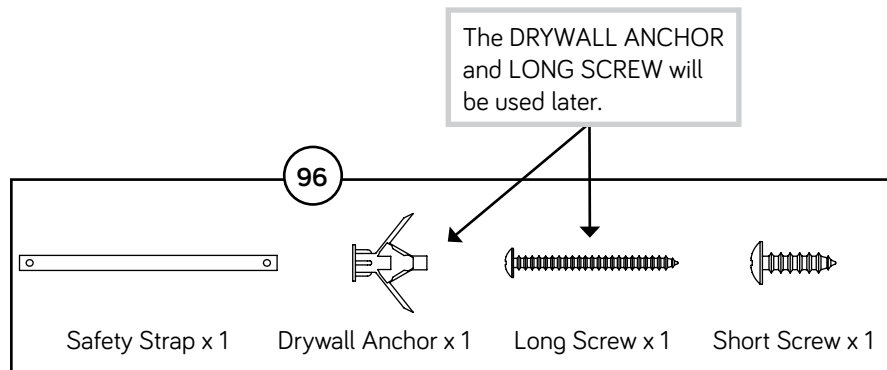
- Fasten three CABINET LEFTS (35GB) to the LEFT END (AA). Use six GOLD 5/16" FLAT HEAD SCREWS (3S) through holes #1 and #3.



Step 5

✚ Open the FURNITURE TIPPING RESTRAINT KIT (96), and fasten the SAFETY STRAP to the TOP (CC). Use the provided SHORT SCREW.

✚ NOTE: Position the SAFETY STRAP exactly as shown.

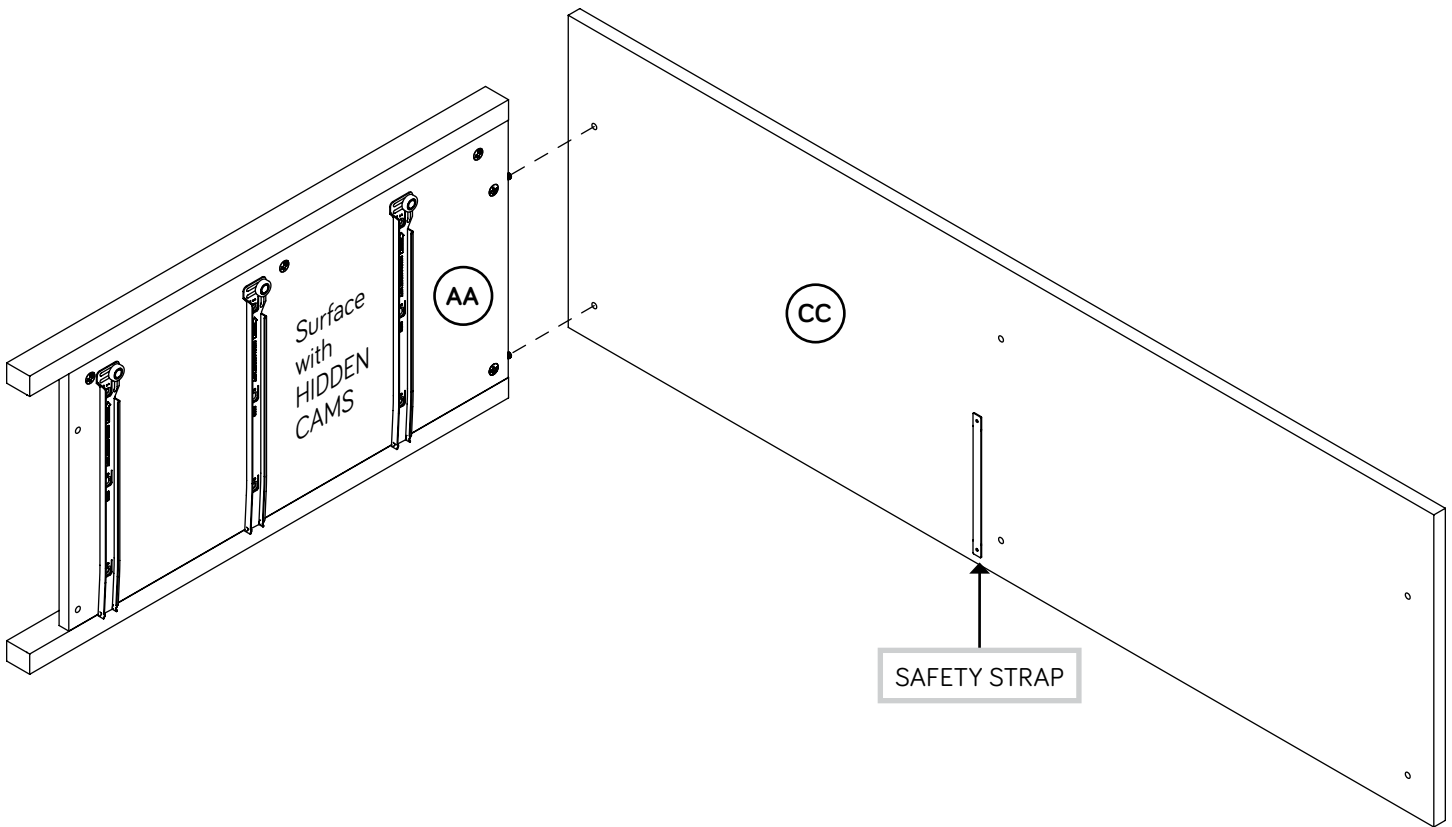


Step 6

Fasten the LEFT END (AA) to the TOP (CC). Tighten two HIDDEN CAMS.

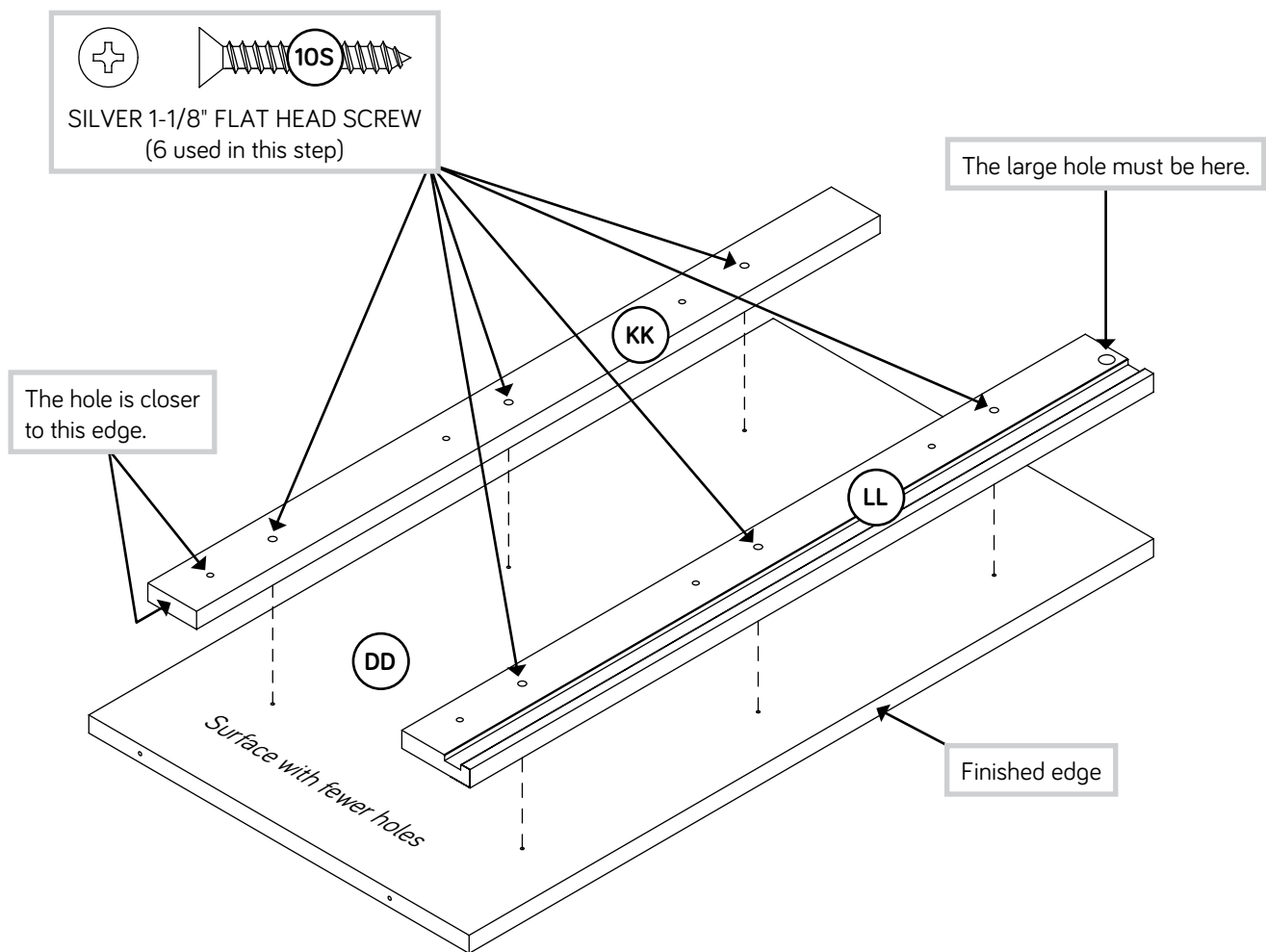
 **Caution**

Do not stand the unit upright without the BACK fastened. The unit may collapse.



Step 7

- Fasten one of each EXTENSION BLOCK (KK and LL) to the UPRIGHT (DD). Use six SILVER 1-1/8" FLAT HEAD SCREWS (10S).
- NOTE:** You should start each SCREW a few turns before completely tightening any of them.



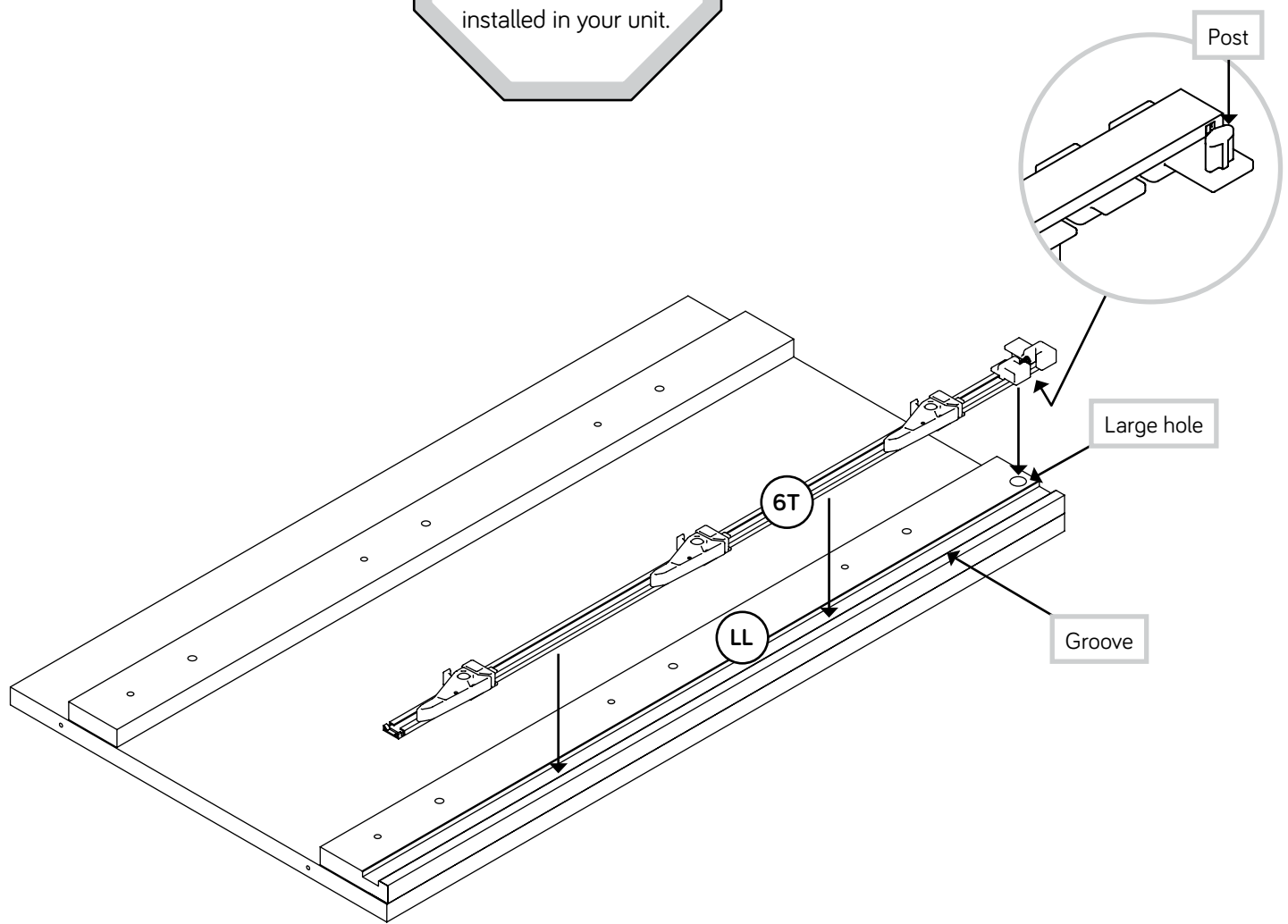
Step 8

- ✚ Insert the post on one INTERLOCK TRACK (6T) into the large hole in the GROOVED EXTENSION BLOCK (LL) and lay the INTERLOCK TRACK into the groove.

IMPORTANT

The INTERLOCK TRACK is a safety feature that must be installed in your unit.

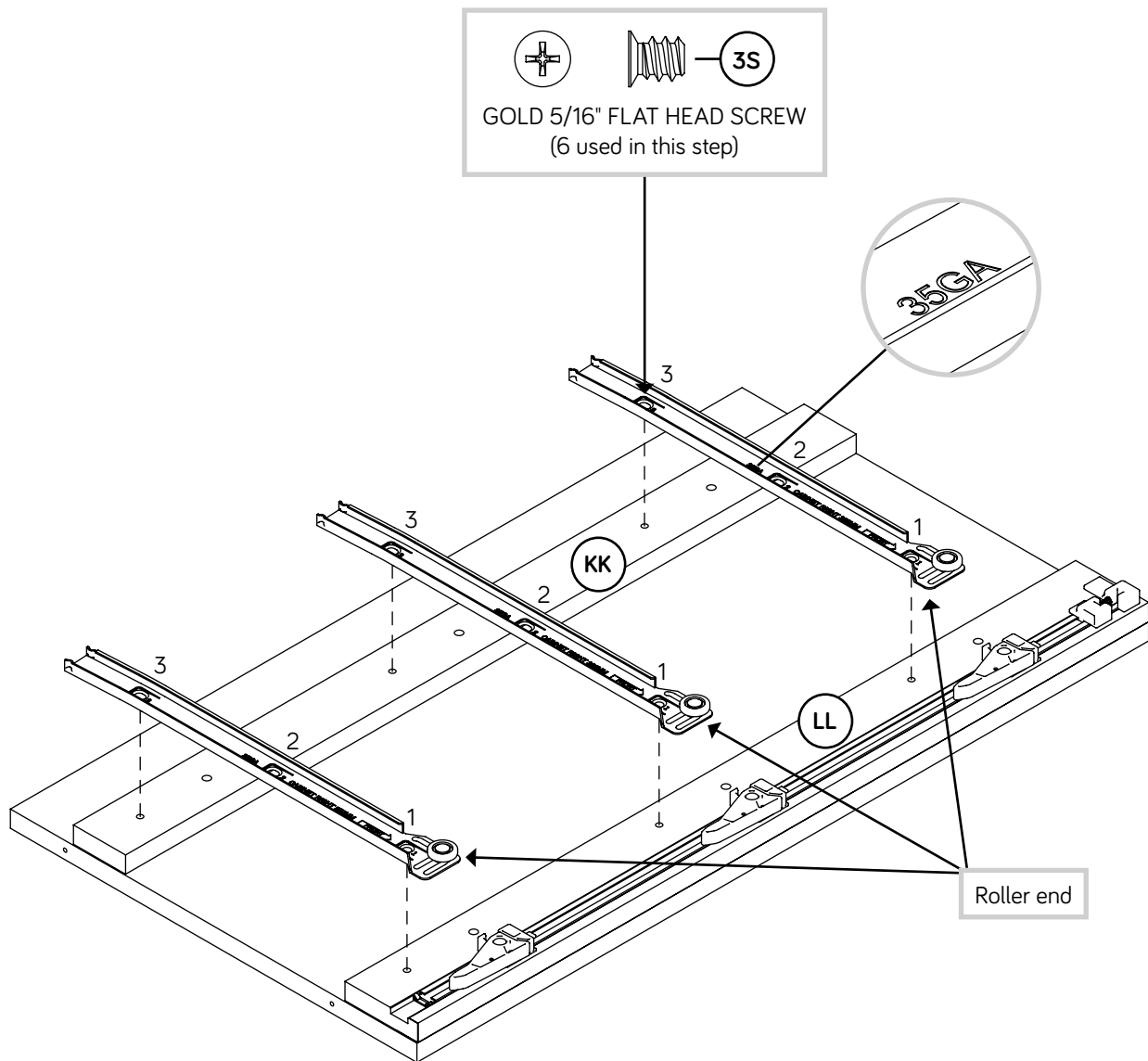
- VIEW FROM BOTTOM -



Step 9


Fasten three CABINET RIGHTS (35GA) to the EXTENSION BLOCKS (KK and LL). Use six GOLD 5/16" FLAT HEAD SCREWS (3S) through holes #1 and #3.

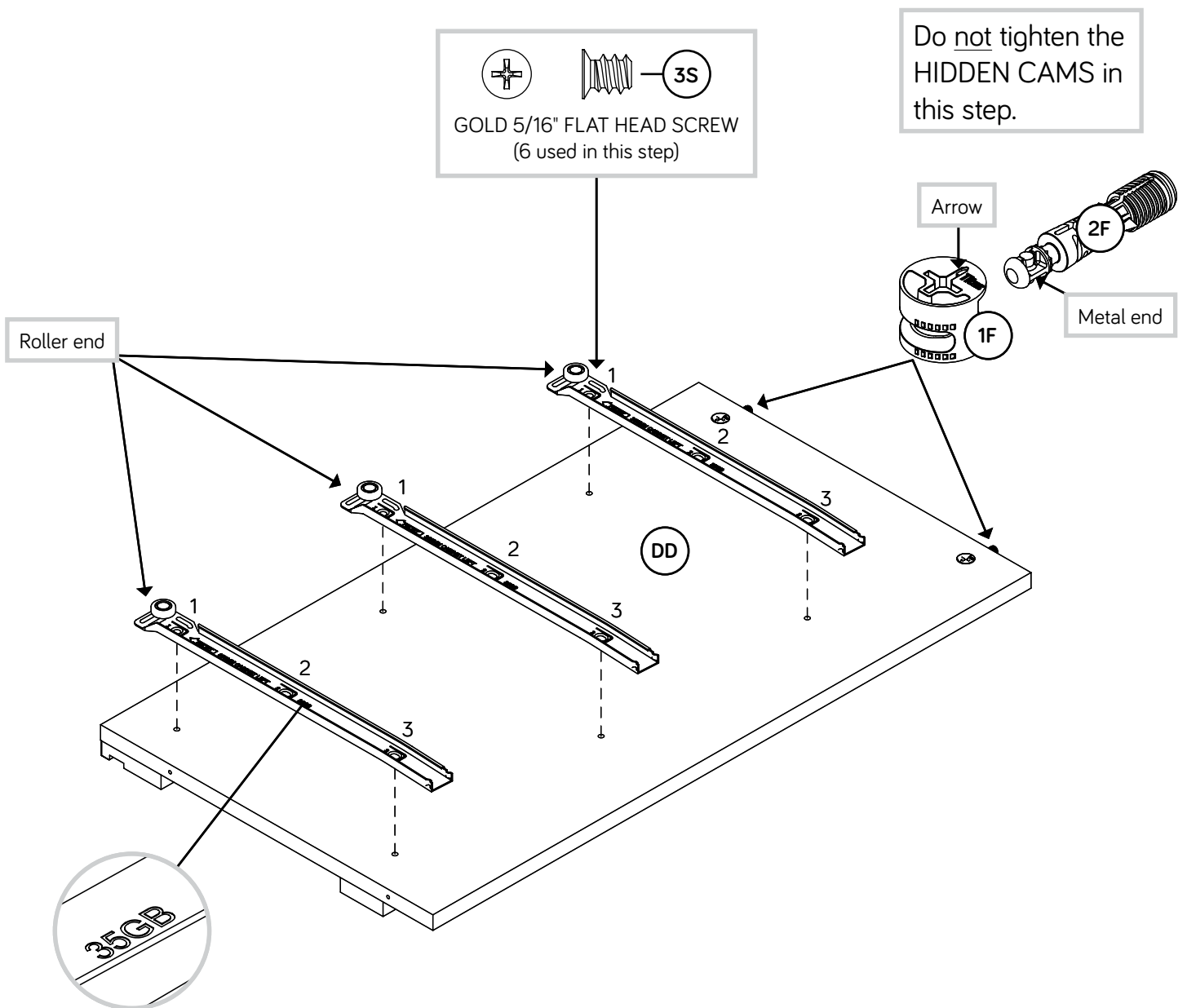
NOTE: The RAILS will overlap the INTERLOCK TRACK slightly.



Step 10

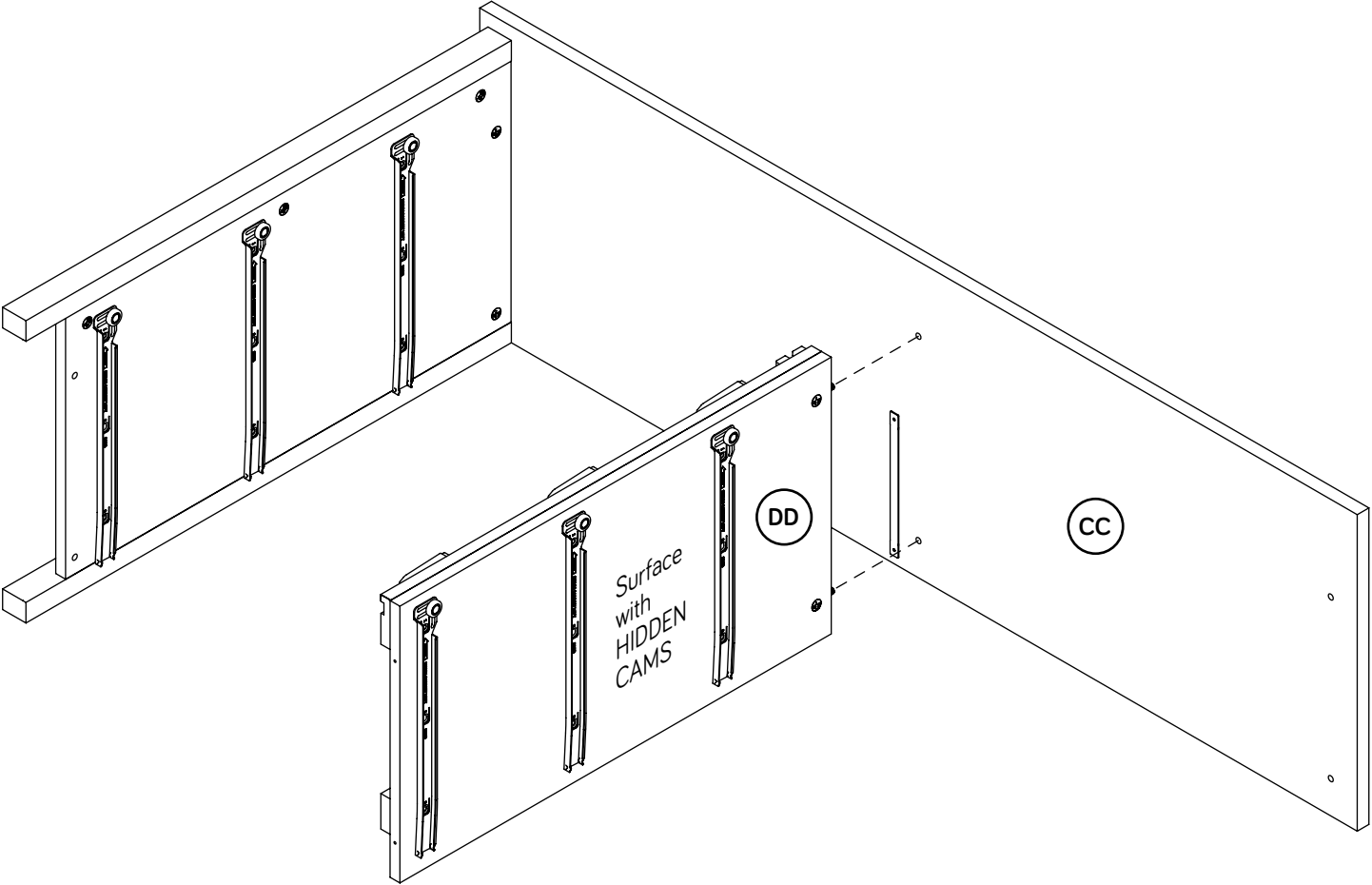
- ✚ Carefully flip the UPRIGHT (DD) over.
- ✚ Push two HIDDEN CAMS (1F) into the UPRIGHT (DD). Then, insert the metal end of a CAM DOWEL (2F) into each HIDDEN CAM.
- ✚ Fasten three CABINET LEFTS (35GB) to the UPRIGHT (DD). Use six GOLD 5/16" FLAT HEAD SCREWS (3S) through holes #1 and #3.

 Don't worry. It isn't Rome. This can be built in a day.



Step 11

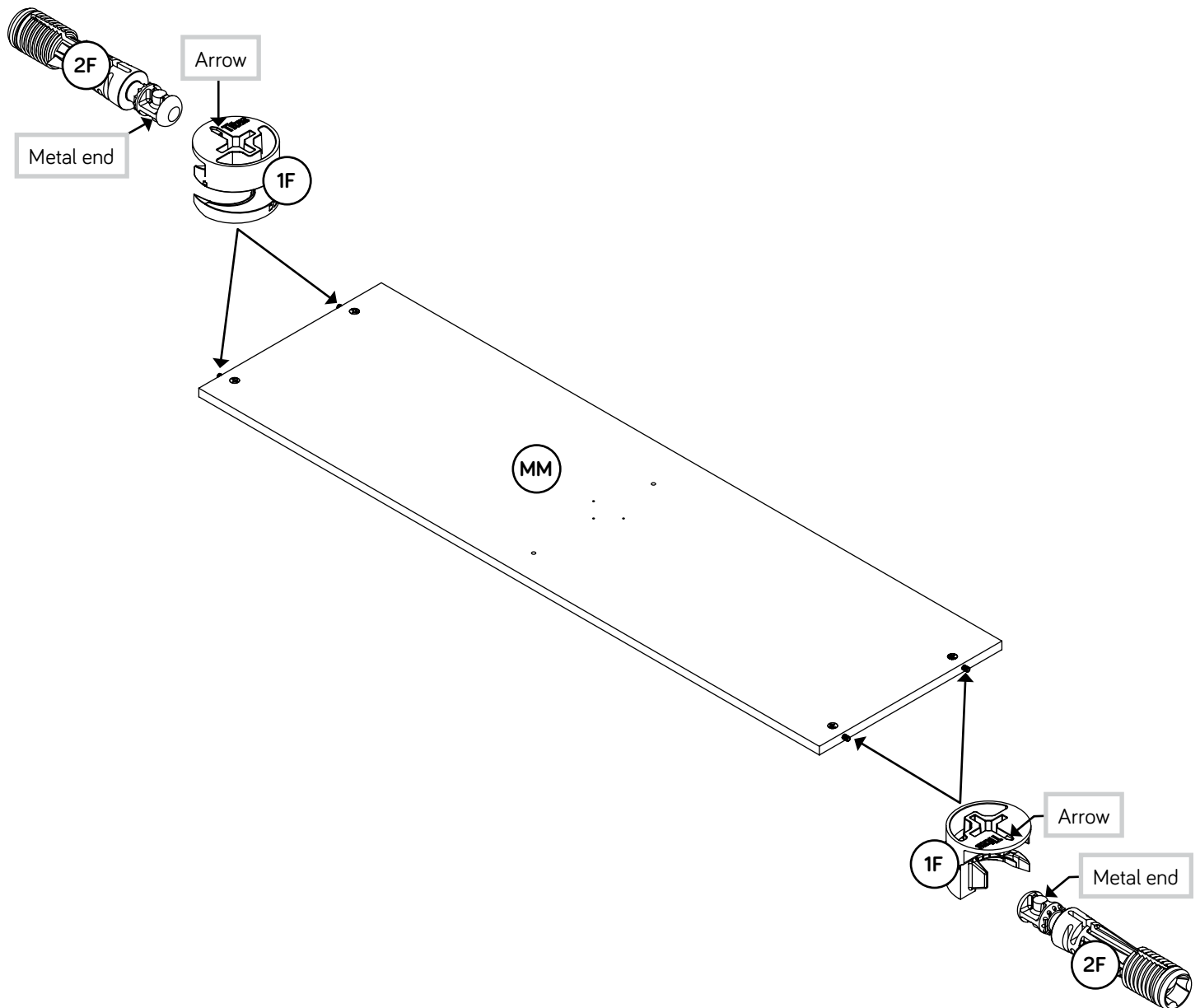
Fasten the UPRIGHT (DD) to the TOP (CC). Tighten two HIDDEN CAMS.



Step 12

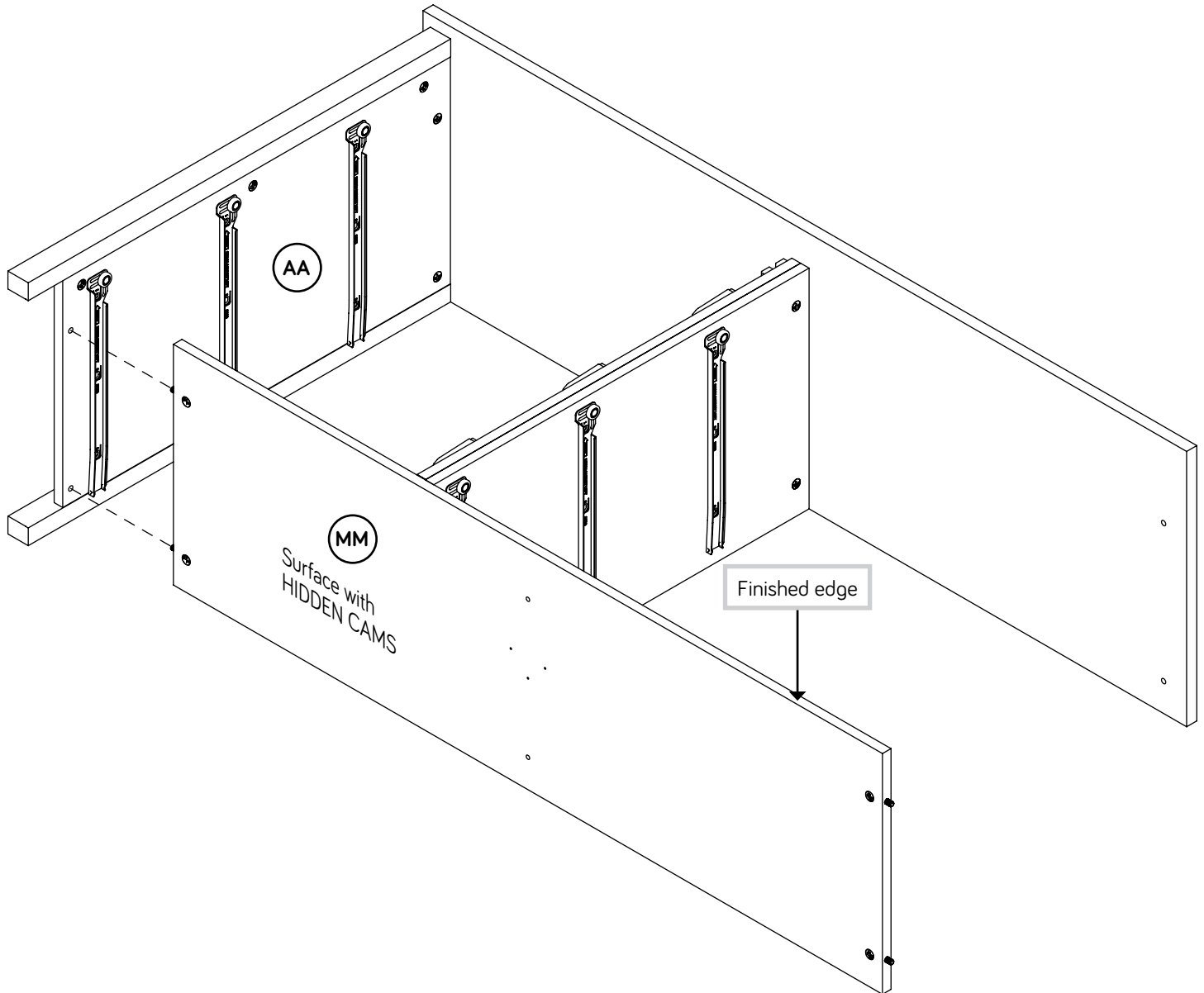
- Push four HIDDEN CAMS (1F) into the BOTTOM (MM).
- Then, insert the metal end of a CAM DOWEL (2F) into each HIDDEN CAM.

Do not tighten the HIDDEN CAMS in this step.



Step 13

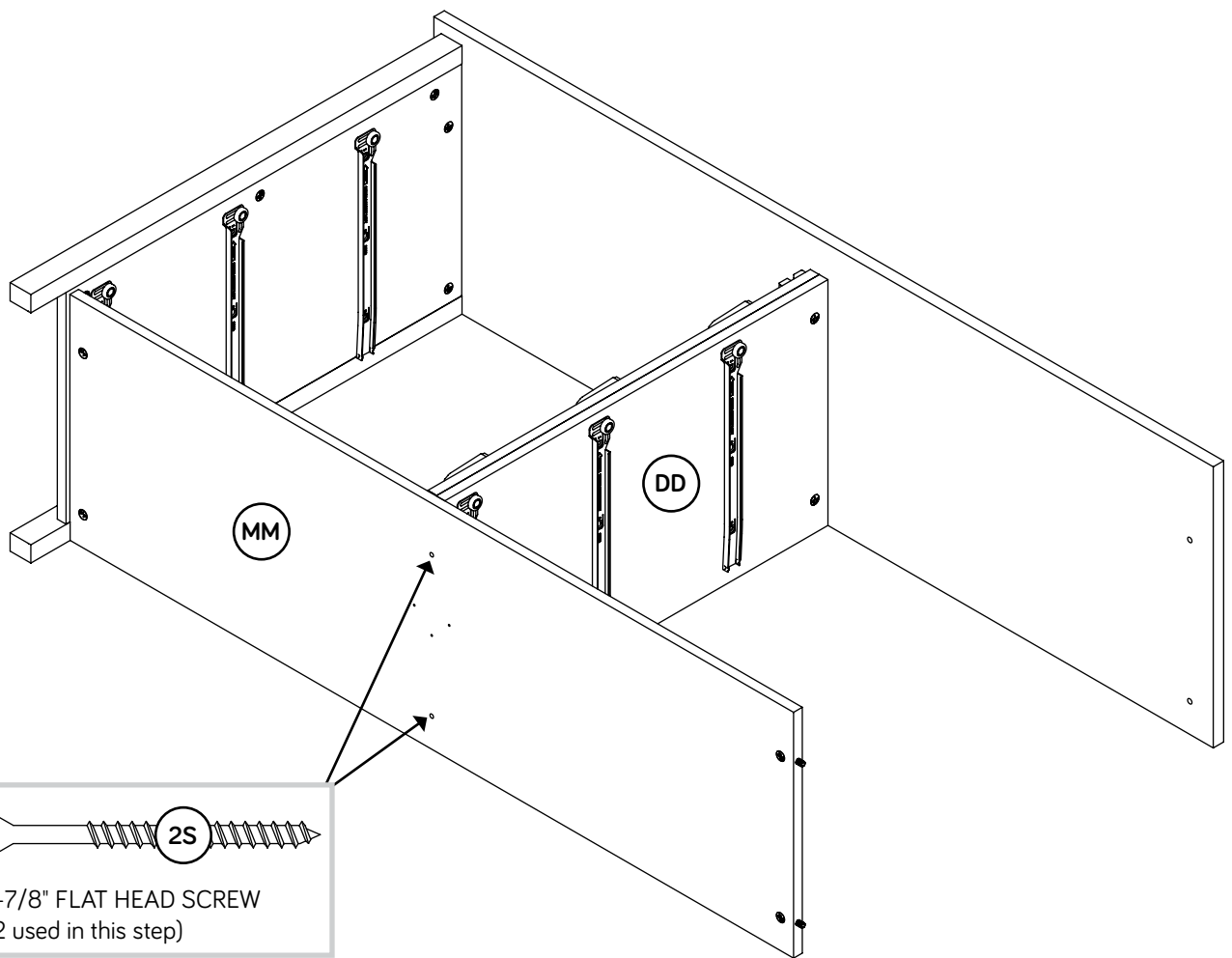
- Fasten the BOTTOM (MM) to the LEFT END (AA). Tighten two HIDDEN CAMS.



Step 14

✚ Fasten the BOTTOM (MM) to the UPRIGHT (DD). Use two BLACK 1-7/8" FLAT HEAD SCREWS (2S).

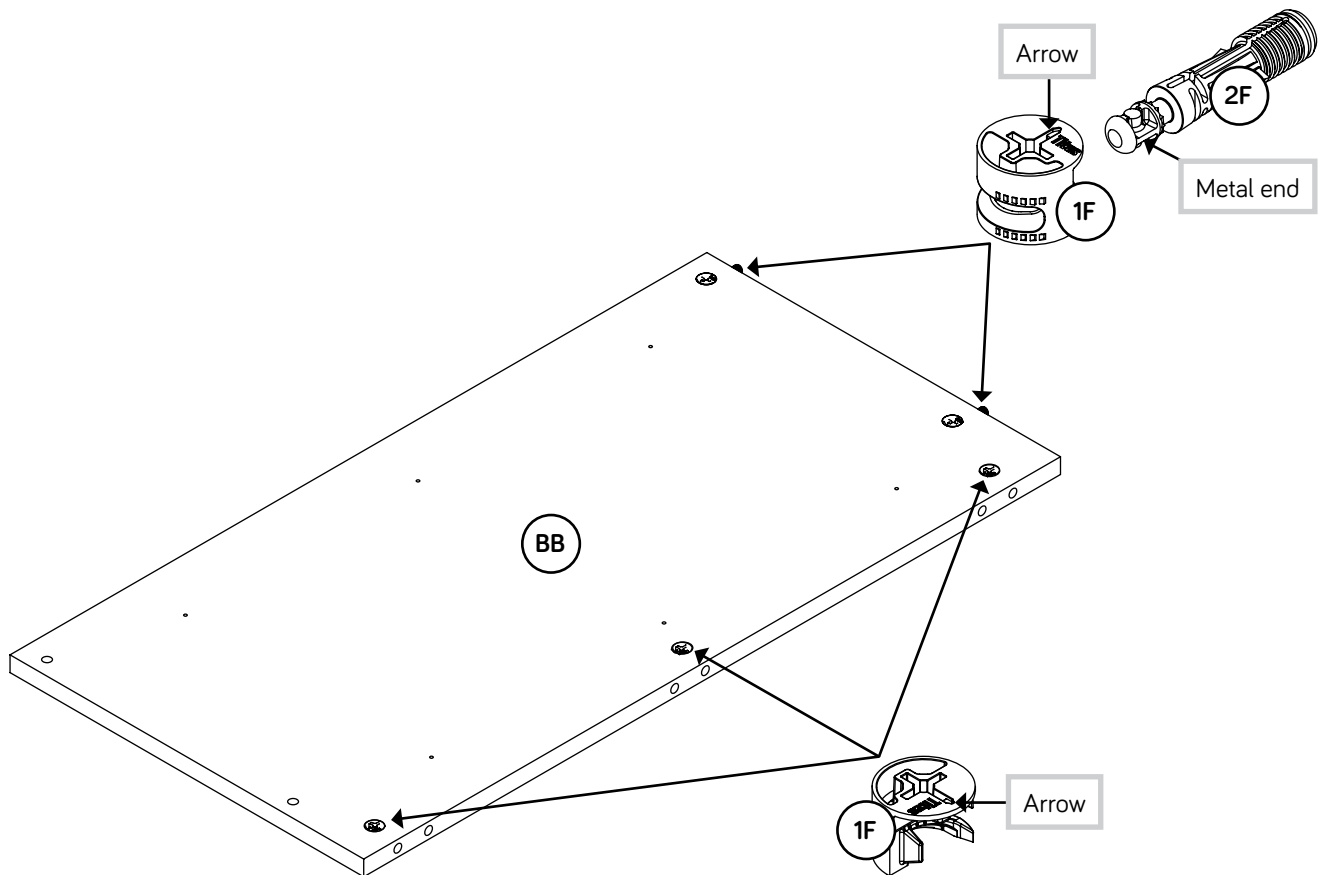
✚ NOTE: You should start each SCREW a few turns before completely tightening any of them.



Step 15

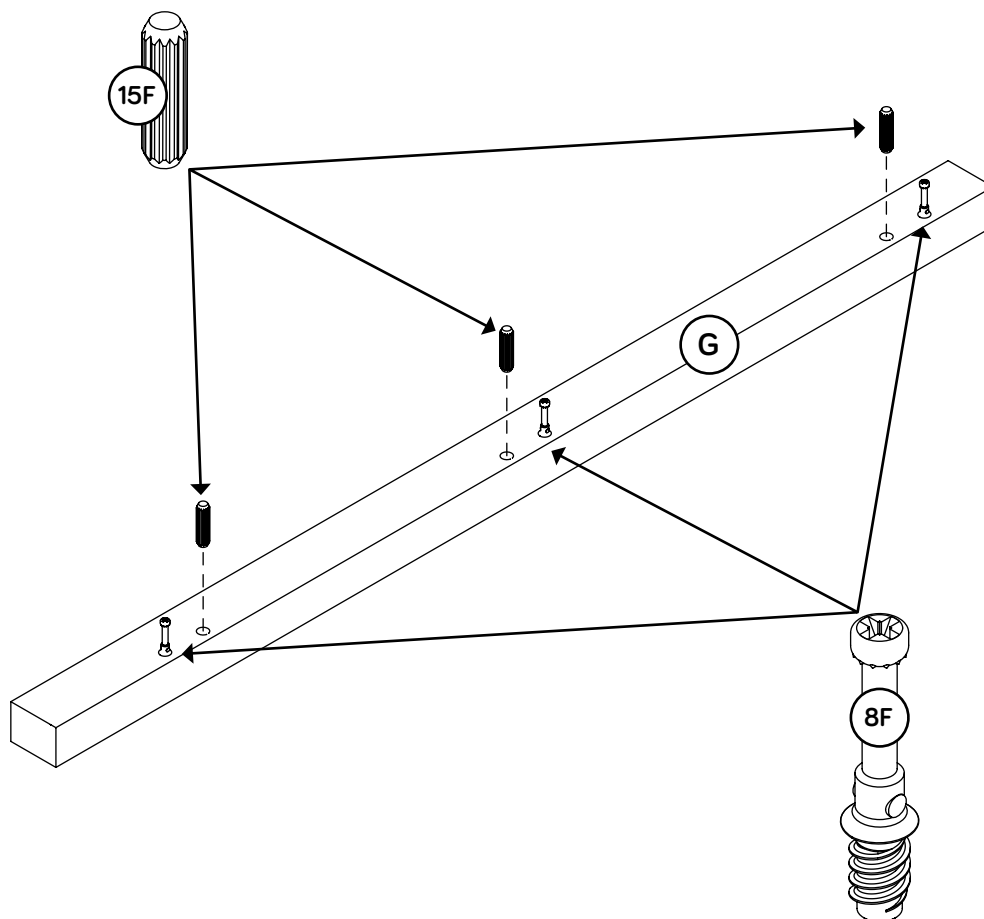
- ✚ Push two HIDDEN CAMS (1F) into the short edge of the RIGHT END (BB). Then, insert the metal end of a CAM DOWEL (2F) into each HIDDEN CAM.
- ✚ Push three HIDDEN CAMS (1F) into the remaining holes.

Do not tighten the HIDDEN CAMS in this step.



Step 16

- ✚ Insert three WOOD DOWELS (15F) into the RIGHT FRONT LEG (G).
- ✚ Turn three CAM SCREWS (8F) into the RIGHT FRONT LEG (G).



Step 17

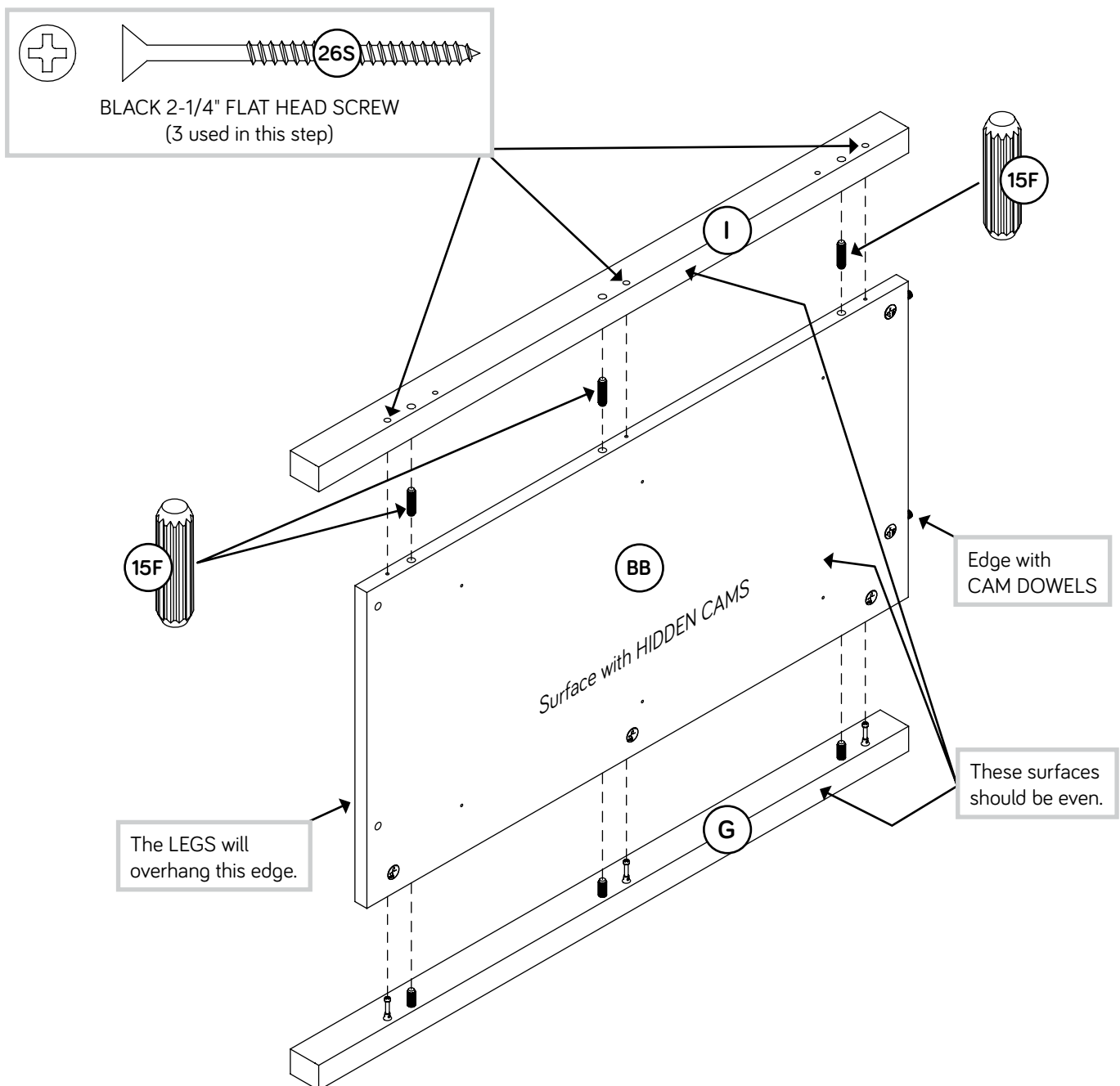
✚ Fasten the RIGHT END (BB) to the RIGHT FRONT LEG (G). Tighten three HIDDEN CAMS.

✚ NOTE: Be sure the WOOD DOWELS in the LEG insert into the END.

✚ Insert three WOOD DOWELS (15F) into the RIGHT END (BB).

✚ Fasten the remaining BACK LEG (I) to the RIGHT END (BB). Use three BLACK 2-1/4" FLAT HEAD SCREWS (26S).

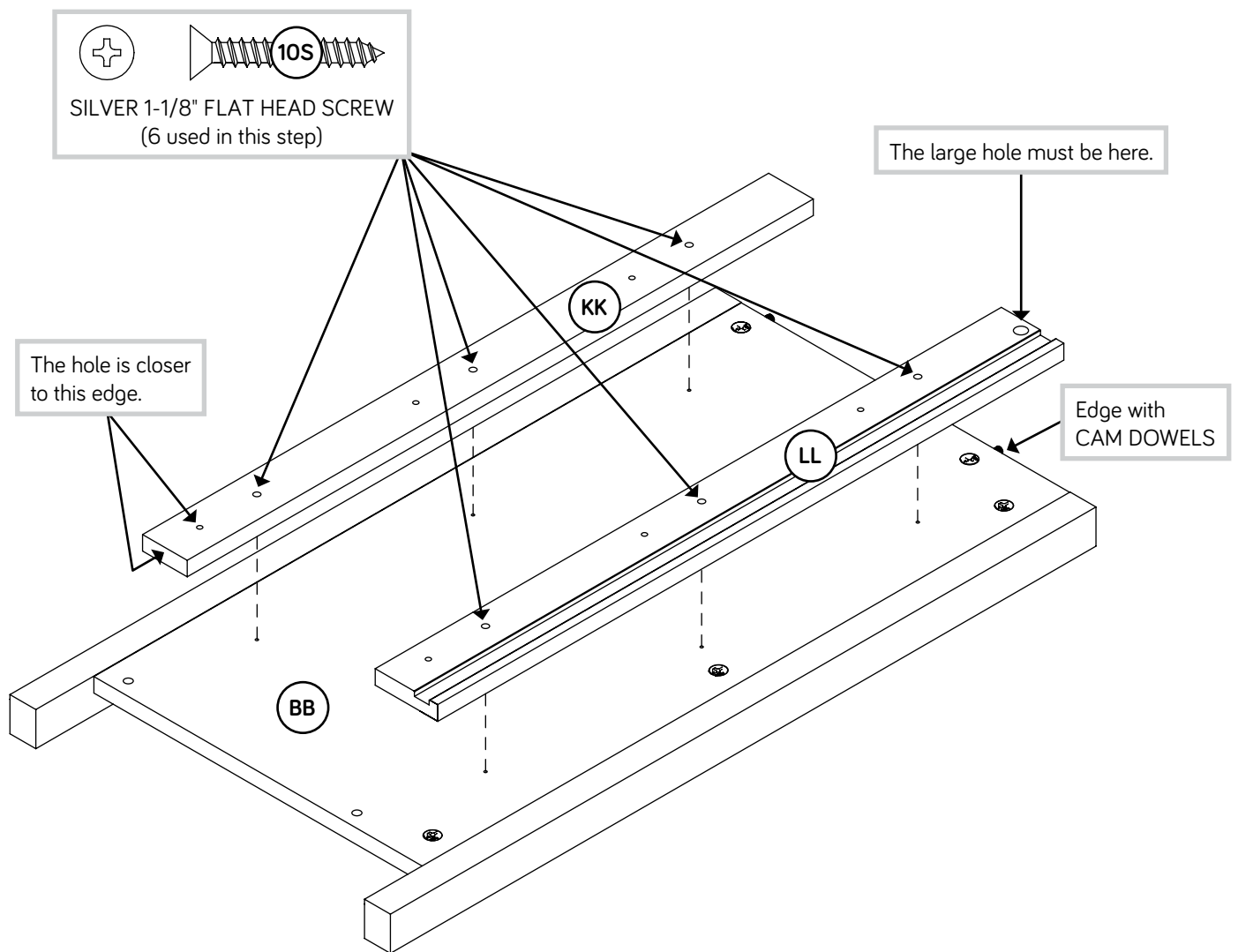
✚ NOTE: Be sure the WOOD DOWELS in the END insert into the LEG.



Step 18

✚ Fasten the remaining EXTENSION BLOCKS (KK and LL) to the RIGHT END (BB). Use six SILVER 1-1/8" FLAT HEAD SCREWS (10S).

✚ NOTE: You should start each SCREW a few turns before completely tightening any of them.



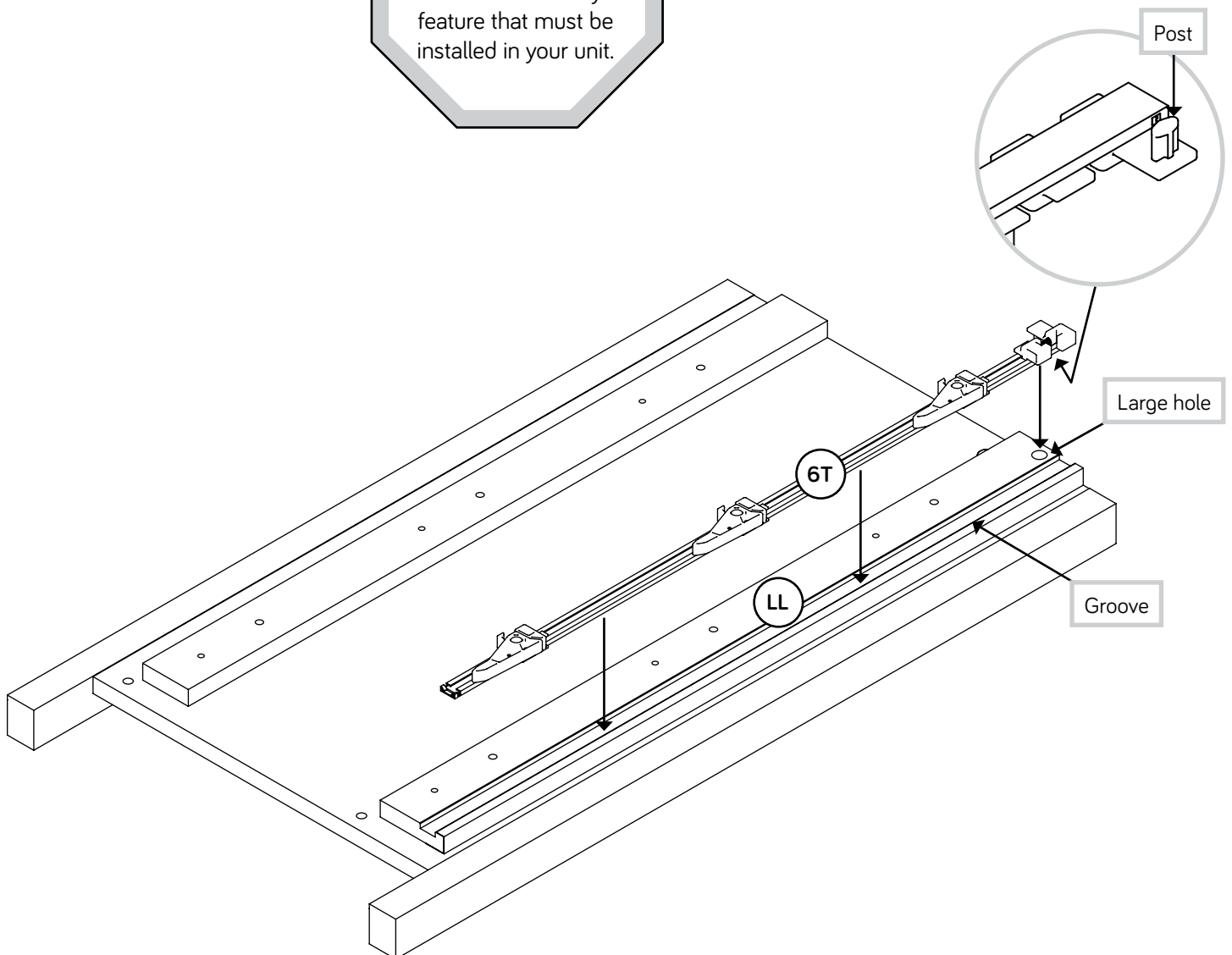
Step 19

- ✚ Insert the post on one INTERLOCK TRACK (6T) into the large hole in the GROOVED EXTENSION BLOCK (LL) and lay the INTERLOCK TRACK into the groove.

IMPORTANT

The INTERLOCK TRACK is a safety feature that must be installed in your unit.

- VIEW FROM BOTTOM -



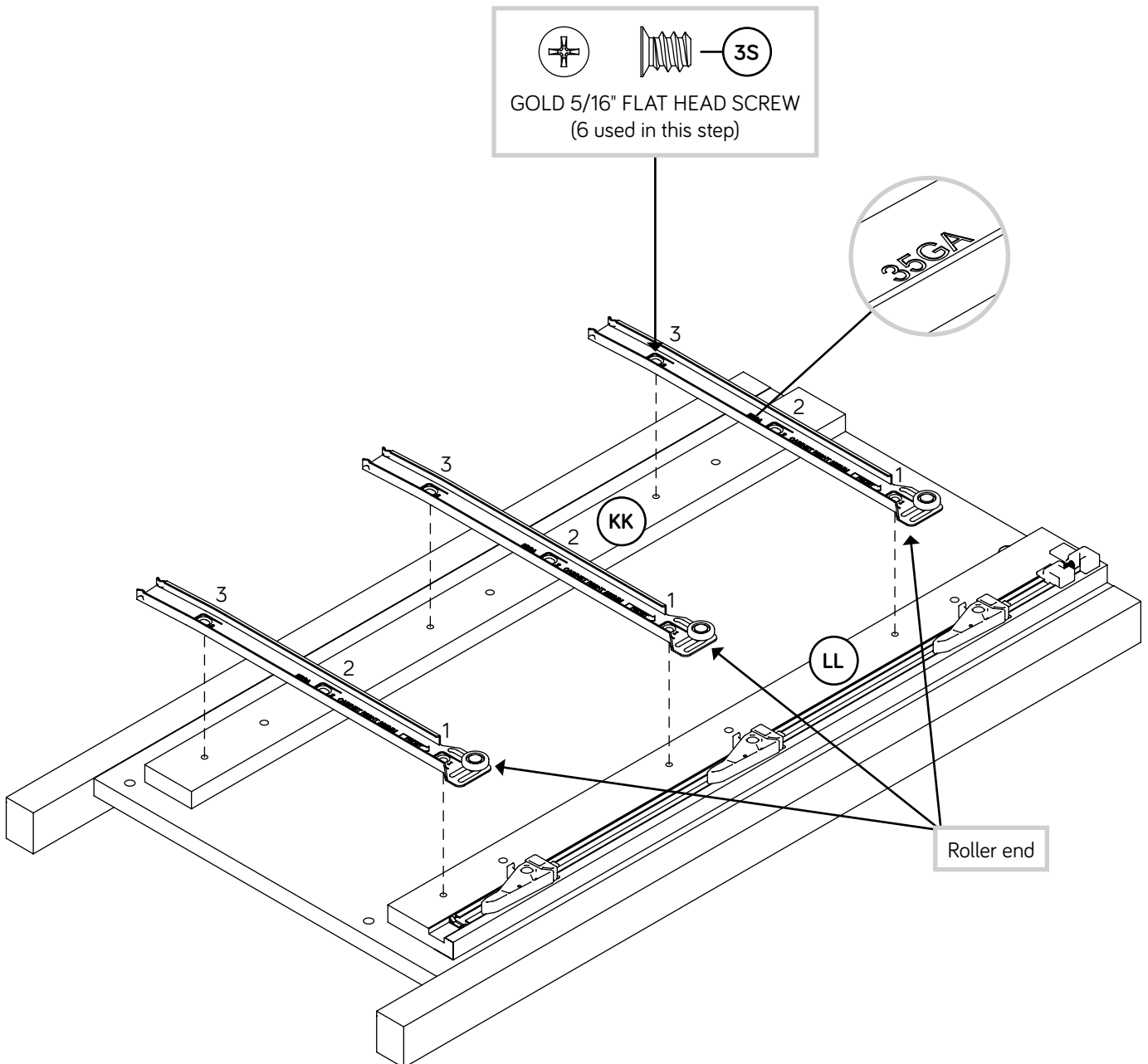
Step 20

Fasten three CABINET RIGHTS (35GA) to the EXTENSION BLOCKS (KK and LL). Use six GOLD 5/16" FLAT HEAD SCREWS (3S) through holes #1 and #3.

NOTE: The RAILS will overlap the INTERLOCK TRACK slightly.

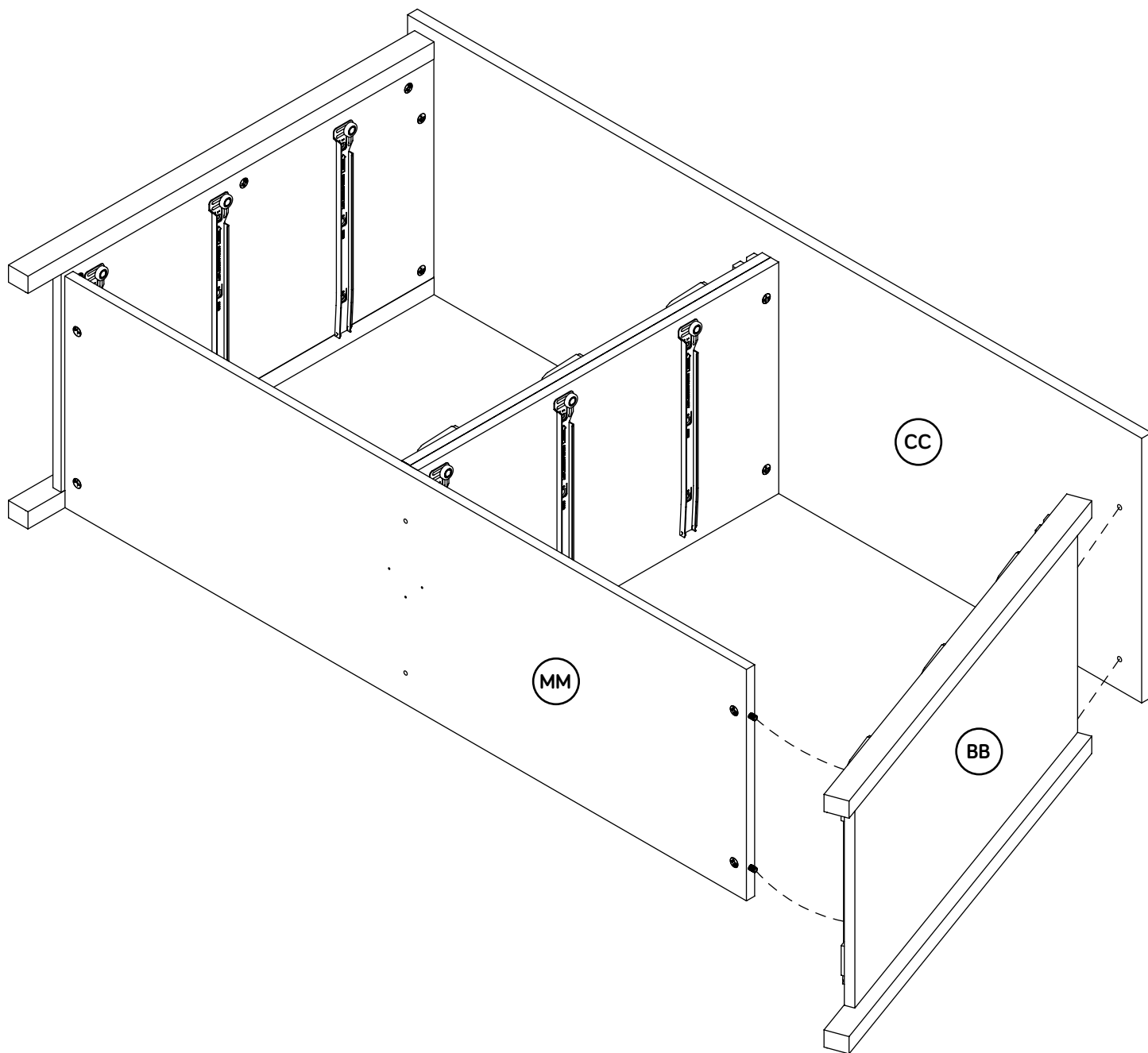


Now might be a good time to refresh your drink.



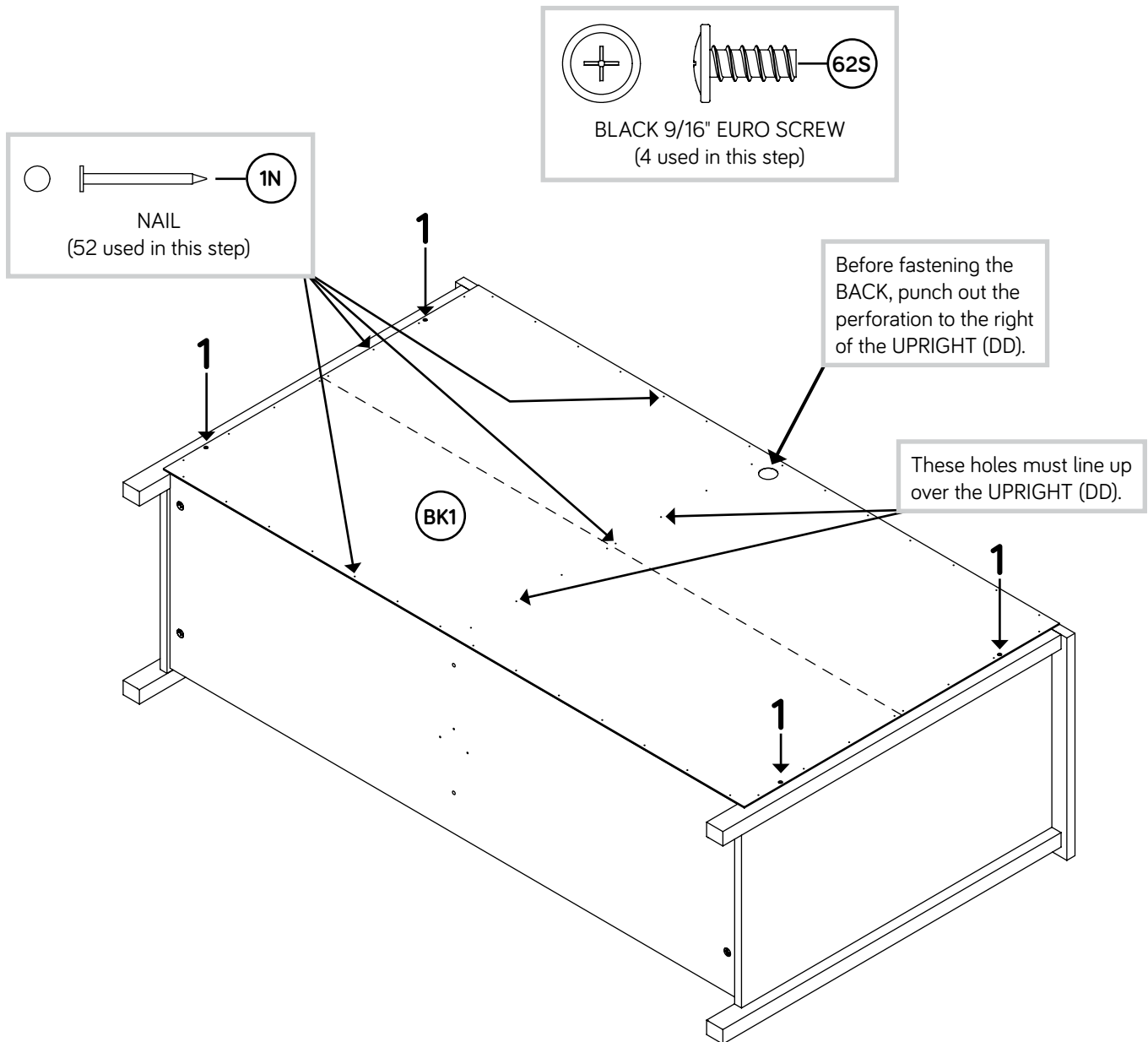
Step 21

- Fasten the RIGHT END (BB) to the TOP (CC) and BOTTOM (MM). Tighten four HIDDEN CAMS.



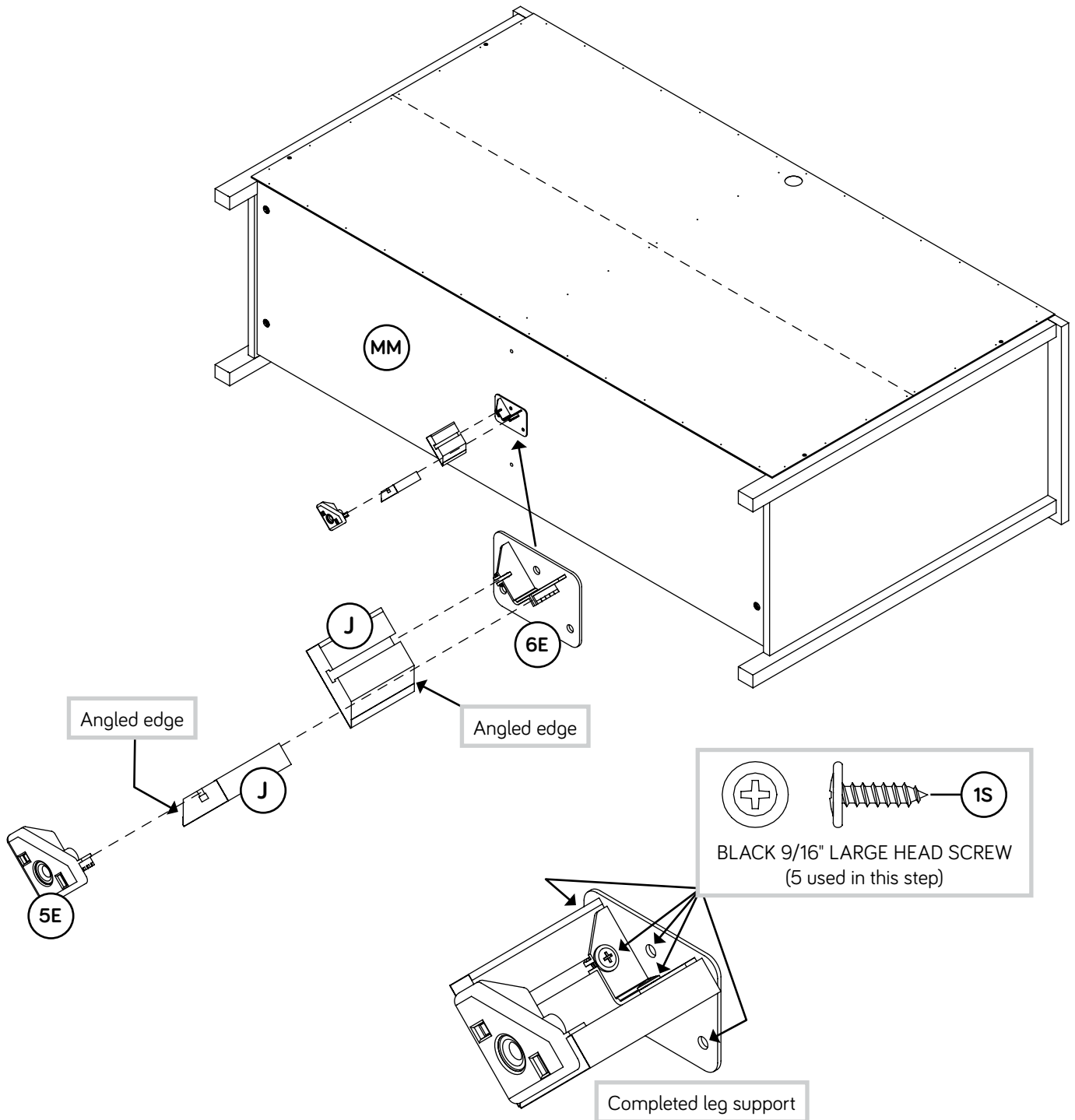
Step 22

- ✚ Carefully turn your unit over onto its front edges. Unfold the BACK (BK1) and lay it over your unit as shown.
- ✚ A perforation in the BACK (BK1) has been provided for access to the SAFETY STRAP. Punch out the perforation for the SAFETY STRAP attachment later in assembly.
- ✚ **IMPORTANT:** Your unit must be "squared up" to the BACK (BK1) before fastening. Make equal margins along the top and bottom edges of the BACK (BK1). Then, make equal margins along the side edges of the BACK (BK1). Push on opposite corners of your unit if needed to make it "square".
- ✚ **BACK INSTALLATION:**
 1. Begin fastening the BACK (BK1) using four BLACK 9/16" EURO SCREWS (62S) through the four holes shown at positions 1.
 2. Finish fastening the BACK (BK1) to your unit using the NAILS (1N) through all remaining holes.
 3. **NOTE:** Be sure to tap NAILS into the holes that line up over the UPRIGHT (DD).



Step 23

- Fasten one FOOT BRACKET (6E) to the BOTTOM (MM). Use three BLACK 9/16" LARGE HEAD SCREWS (1S).
- Slide the FEET (J) onto the FOOT BRACKET on the BOTTOM (MM).
- Firmly push one CORNER CAP (5E) onto the FEET (J).
- Turn two BLACK 9/16" LARGE HEAD SCREWS (1S) into the slots of the FOOT BRACKET.

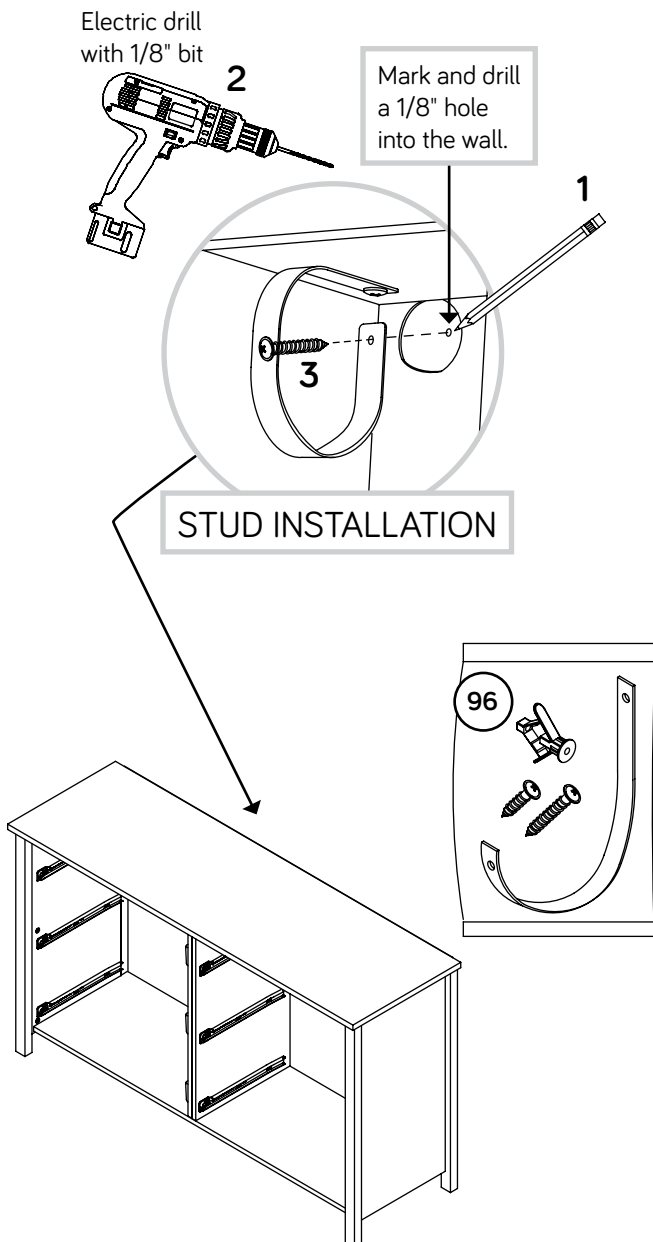


Step 24

⚠ Carefully stand your unit upright in its final location. We recommend using the SAFETY STRAP for added stability.

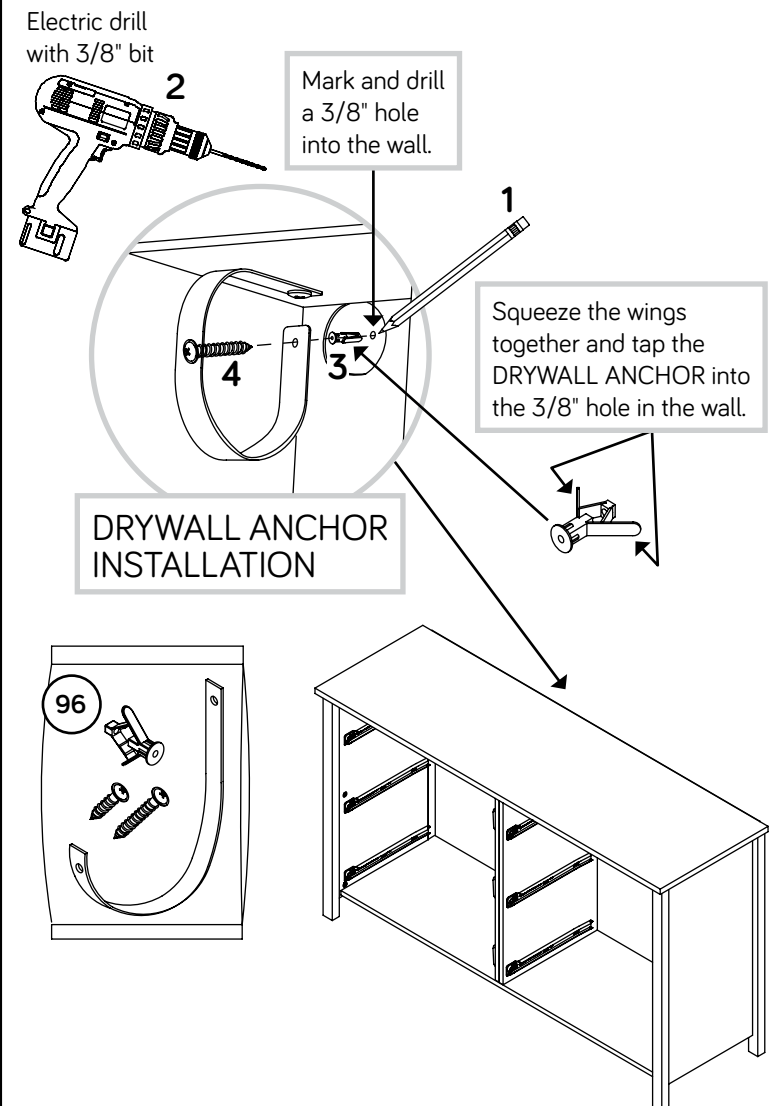
STUD INSTALLATION (Preferred Method)

1. Locate the center of a stud in your wall near your unit and mark it with a pencil just below the top surface of your unit so the SAFETY STRAP will not be visible.
2. Drill a 1/8" hole on the mark and into the stud in your wall.
3. Fasten the unit to the wall. Use the LONG SCREW from the FURNITURE TIPPING RESTRAINT KIT (96) through the hole in the SAFETY STRAP and into the 1/8" hole.



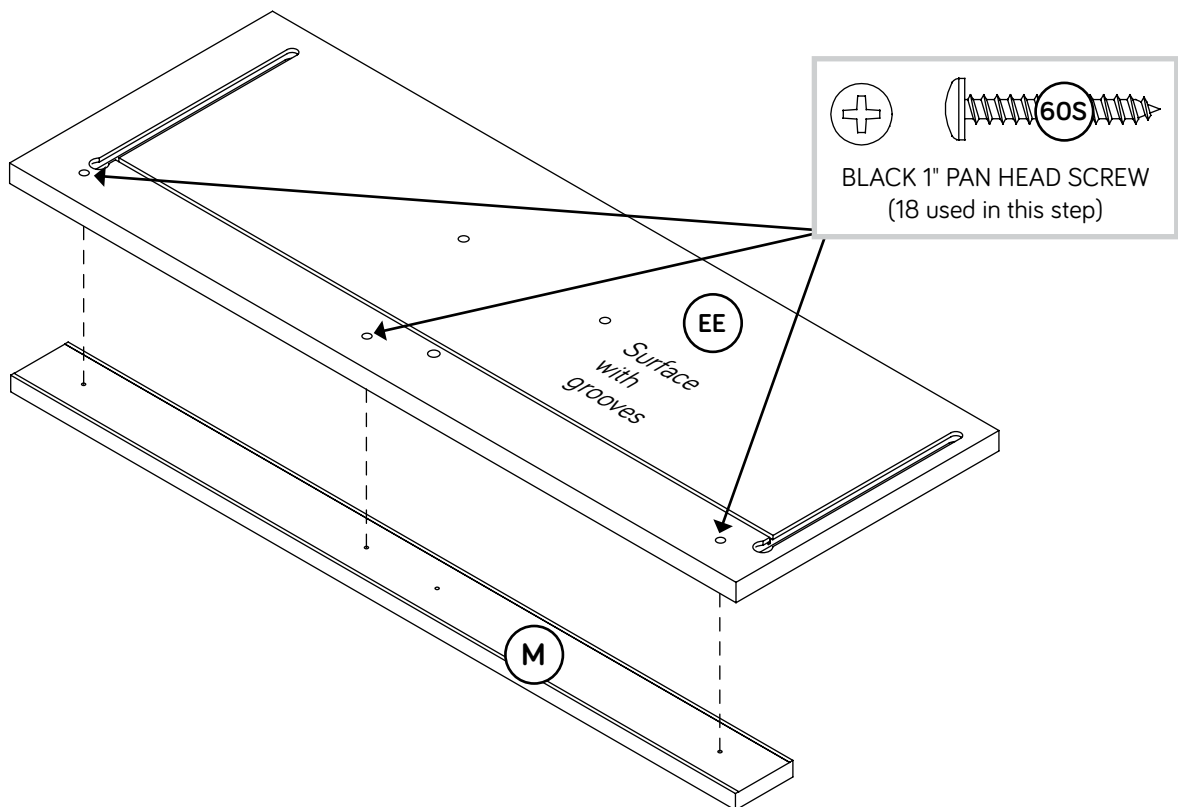
DRYWALL ANCHOR INSTALLATION

1. Use a pencil to mark your wall in your desired location just below the top surface of your unit so the SAFETY STRAP will not be visible.
2. Drill a 3/8" hole on the mark.
3. While squeezing the wings together, use your hammer to tap the DRYWALL ANCHOR from the FURNITURE TIPPING RESTRAINT KIT (96) into the hole until it is even with the surface of the wall.
4. Fasten the unit to the wall. Use the LONG SCREW through the hole in the SAFETY STRAP and into the DRYWALL ANCHOR. Turn multiple turns to completely tighten.



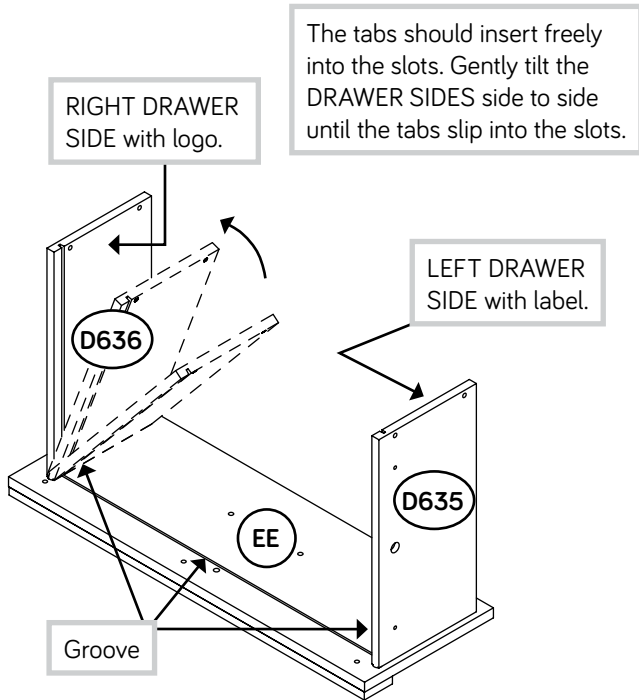
Step 25

- ✚ Fasten one LEFT DRAWER FRONT (EE) to one DRAWER FRONT MOLDING (M). Use three BLACK 1" PAN HEAD SCREWS (60S).
- ✚ NOTE: You should start each SCREW a few turns before completely tightening any of them.
- ✚ NOTE: The MOLDING should be centered on the DRAWER FRONT.
- ✚ Repeat this step for the remaining DRAWER FRONTS and DRAWER FRONT MOLDINGS.



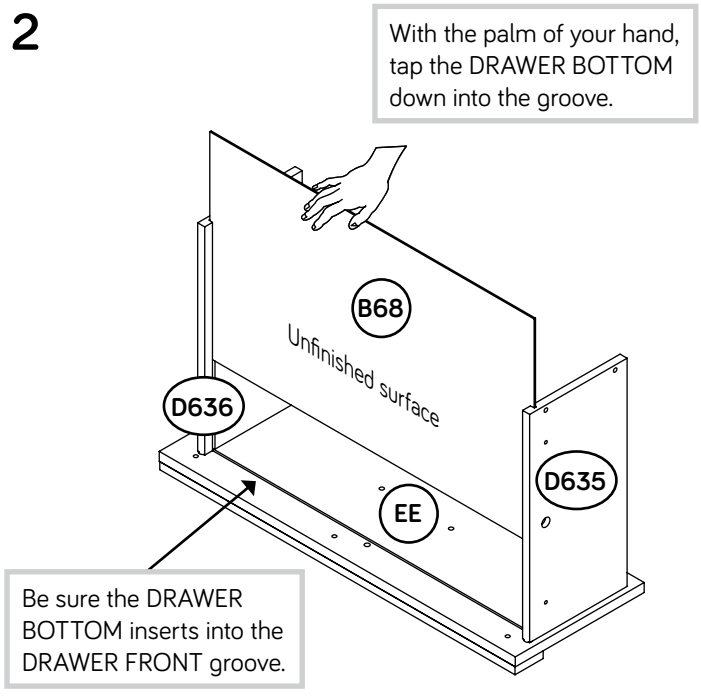
Step 26

1



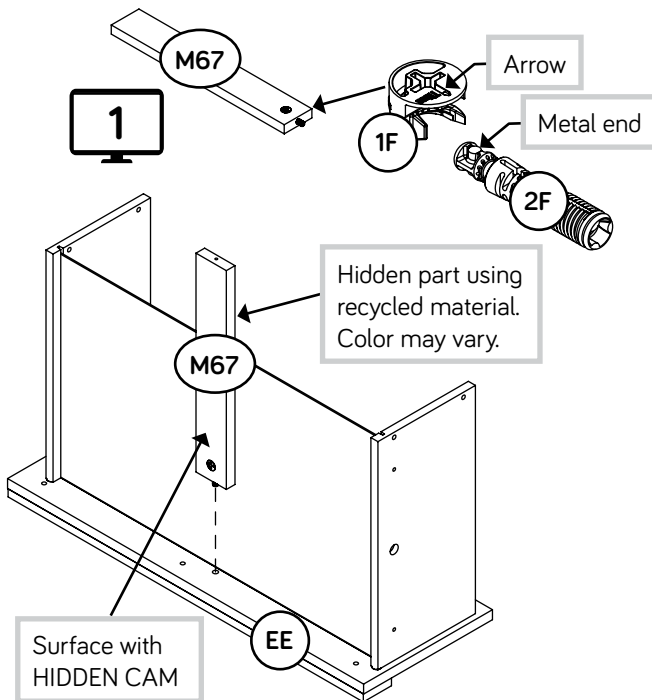
✚ Insert the DRAWER SIDES (D635 and D636) at an angle into the slot at each end of one LEFT DRAWER FRONT (EE).

2



✚ Slide one DRAWER BOTTOM (B68) into the grooves in the DRAWER SIDES (D635 and D636) and LEFT DRAWER FRONT (EE).

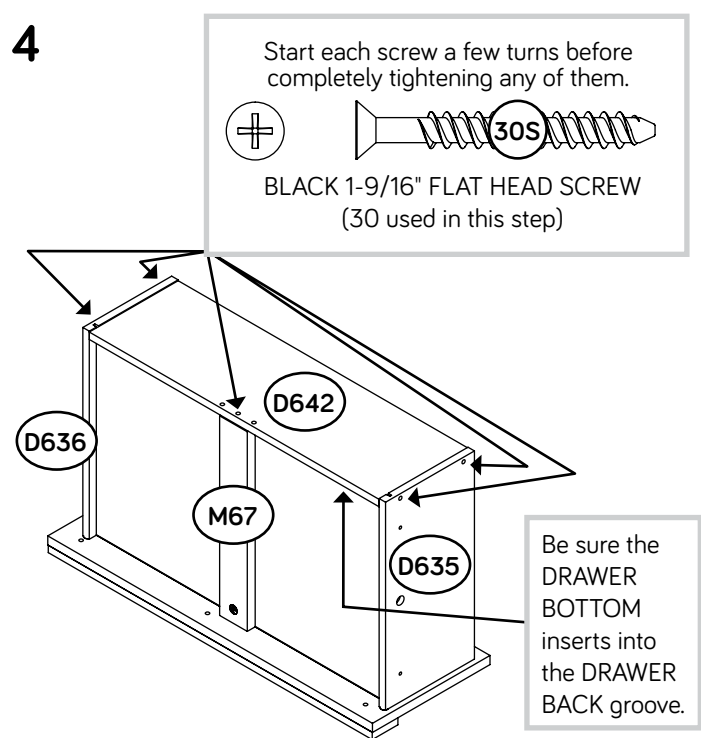
3



✚ Push one HIDDEN CAM (1F) into one DRAWER BRACE (M67). Then, insert the metal end of a CAM DOWEL (2F) into the HIDDEN CAM.

✚ Fasten the DRAWER BRACE (M67) to the LEFT DRAWER FRONT (EE). Tighten one HIDDEN CAM.

4



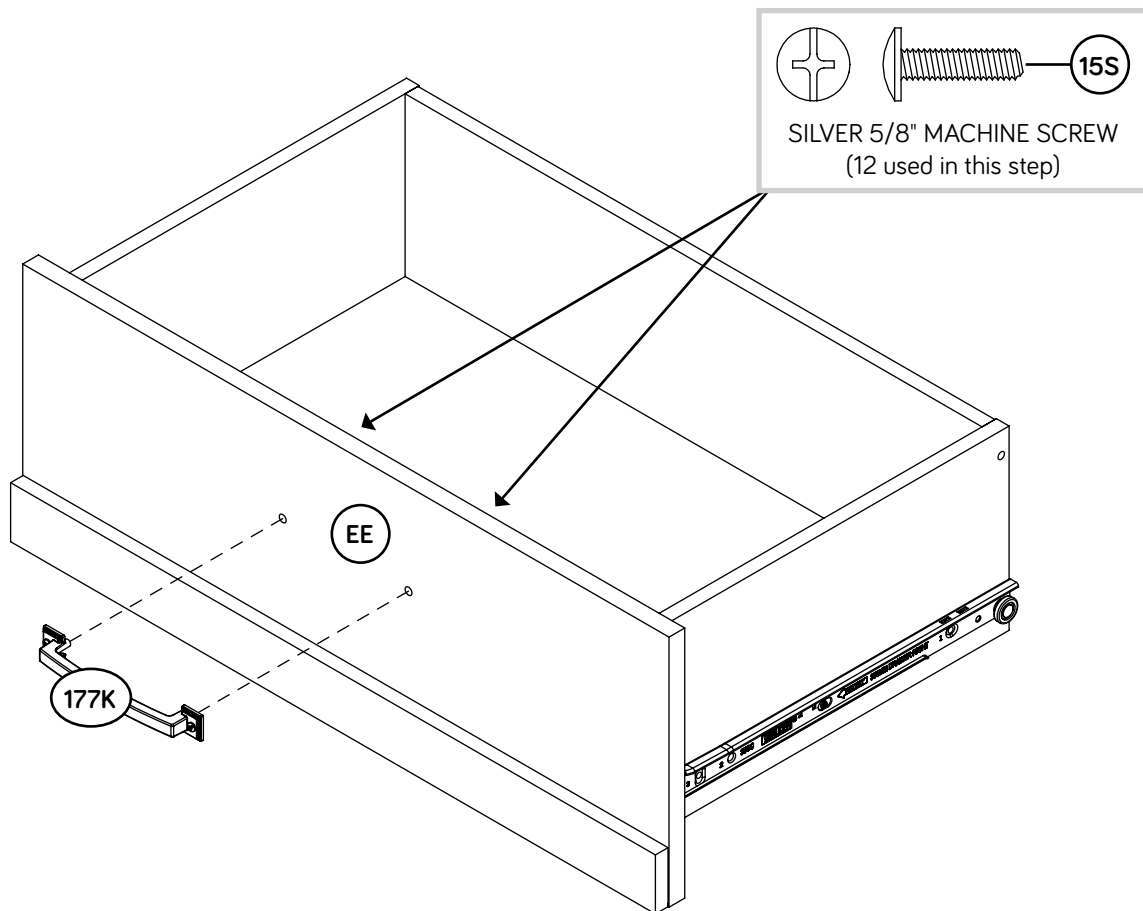
✚ Fasten one DRAWER BACK (D642) to the DRAWER SIDES (D635 and D636) and DRAWER BRACE (M67). Use five BLACK 1-9/16" FLAT HEAD SCREWS (30S).

✚ Repeat this step for the remaining drawers.

Step 28

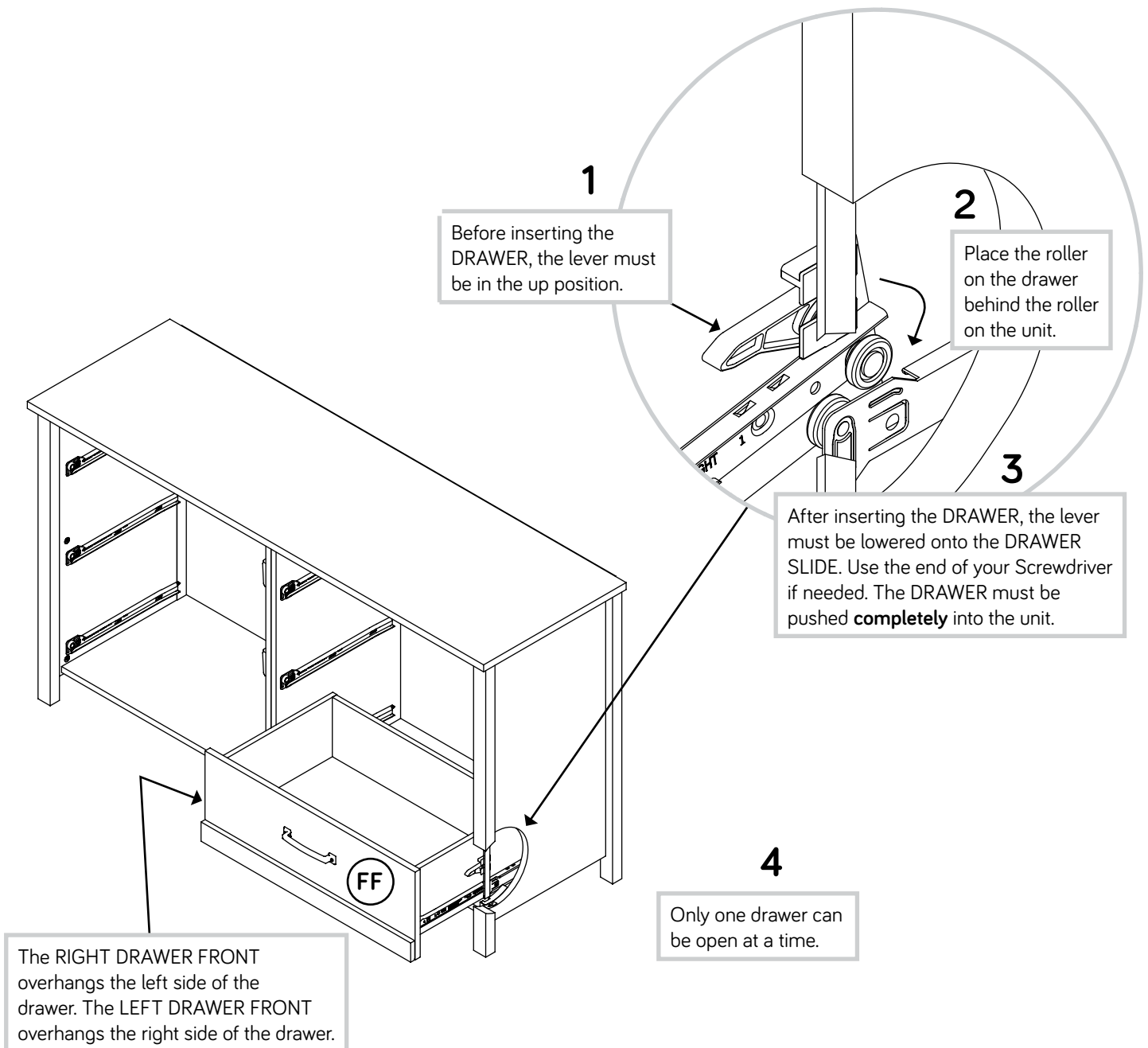
✚ Fasten one PULL (177K) to the LEFT DRAWER FRONT (EE).
Use two SILVER 5/8" MACHINE SCREWS (15S).

✚ Repeat this step for the remaining drawers.



Step 29



- 🔌 **NOTE:** Do not use the DRAWER with the label in this step.
- 🔌 Lift the lever on the INTERLOCK TRACK up all the way so it sticks out as shown in the enlarged diagram.
- 🔌 To insert the bottom drawer into your unit, tip the front of the drawer down and drop the rollers on the drawer behind the rollers on the unit. Lift the front of the drawer up and slide the drawer partway into the unit.
- 🔌 **NOTE:** The roller on the drawer must drop down behind the roller on the unit for your drawer to work properly. The drawer should **not** sit above or below the rail in your unit.
- 🔌 Lower the lever against the drawer slide and push the drawer **completely** into the unit. Only one drawer can be open at a time.

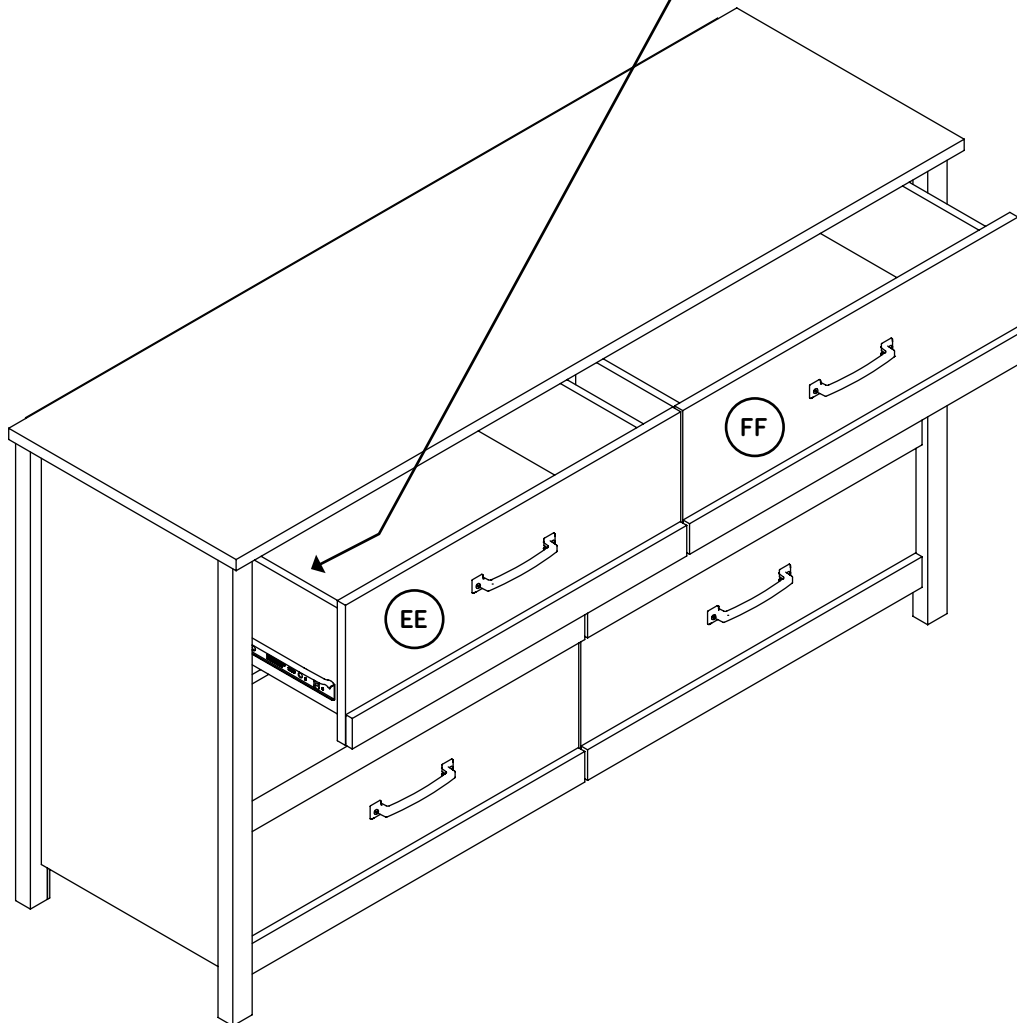


Step 30

Repeat the previous step to insert the remaining DRAWERS. Be sure to push each DRAWER **completely** into the unit.

NOTE: Be sure the label on the LEFT DRAWER SIDE is in one of the UPPER drawers.

| ⚠ WARNING | |
|--|--|
|  | Children have died from furniture tipover. To reduce the risk of furniture tipover: <ul style="list-style-type: none">• ALWAYS install anti-tip device provided.• NEVER put a TV on this product.• NEVER allow children to stand, climb, or hang on any drawers, doors, or shelves.• NEVER open more than one drawer at a time.• DO NOT defeat or remove the drawer interlock system; it is an important stability and safety system.• Place heaviest items in the lowest drawers. |
|  | |
| 8/23 | 597314 |
| <i>This is a permanent label. Do not remove!</i> | |

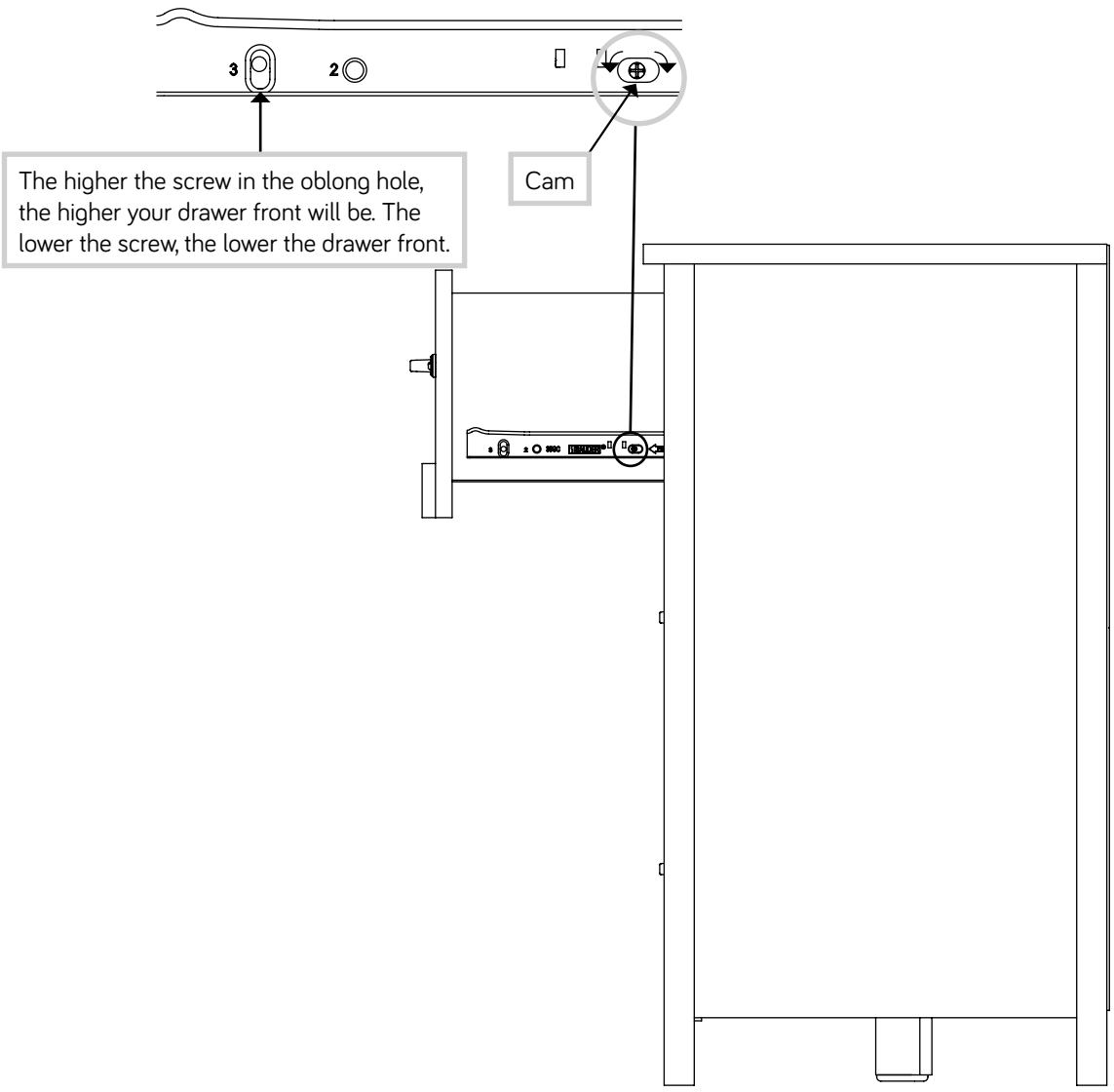


Step 31

✚ To make adjustments to the drawer, loosen SCREW #3 in the SLIDES a 1/4 turn, then turn the cam clockwise or counter-clockwise. Notice how the drawer raises or lowers as you turn the cam. By adjusting the drawer this way, it will help the DRAWER FRONT line up better when closed. Tighten the SCREWS when finished with adjustments.



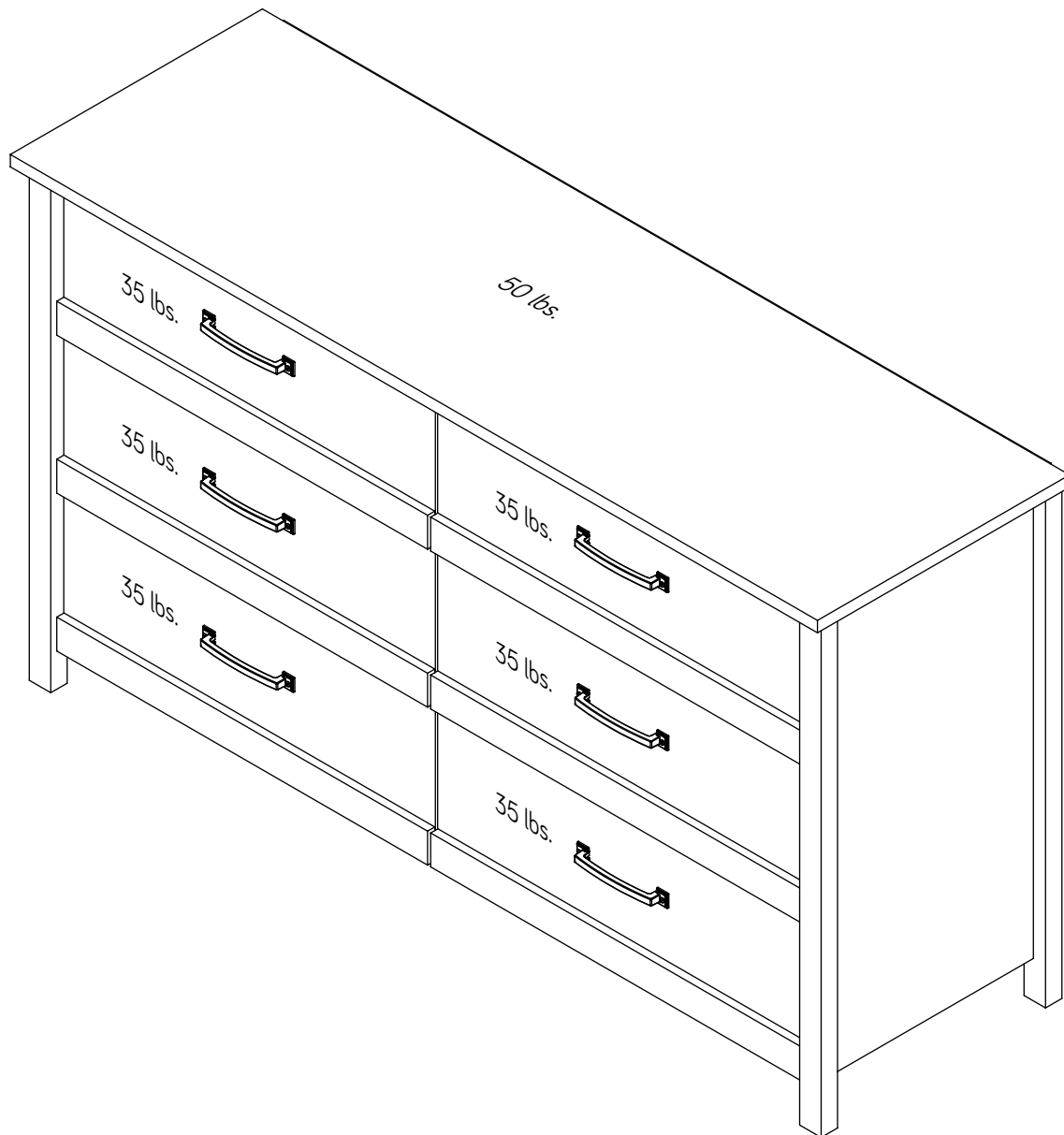
Loosen screw #3 a 1/4 turn, turn the cam a 1/4 turn maximum in both the clockwise and counter-clockwise directions to make adjustments, and then tighten screw #3.



Step 32

🔧 NOTE: Please read the back pages of the instruction booklet for important safety information.

🔧 This completes assembly. Clean with a damp cloth. Wipe dry.



Commode

Utilisez les instructions d'assemblage en français avec les schémas étape par étape du manuel d'instruction en anglais. Chaque étape en français correspond à la même étape en anglais. Comparer la "Liste de pièces" ci-dessous avec la "PART IDENTIFICATION" du manuel en anglais pour vous familiariser avec les pièces avant l'assemblage.

REMARQUE : CE MANUEL D'INSTRUCTIONS CONTIENT **D'IMPORTANTES** INFORMATIONS RELATIVES À LA SÉCURITÉ. À LIRE ET CONSERVER POUR TOUTE RÉFÉRENCE FUTURE.

NOUS CONTACTER EN PREMIER

AVANT D'EFFECTUER TOUT RETOUR AU MAGASIN.

Nous faisons de notre mieux pour nous assurer que votre meuble arrive dans d'excellentes conditions. Nos représentants du service Clientèle sont aimables et prêts à vous aider au cas où une pièce aurait été endommagée ou manquerait (ou si vous aviez besoin d'aide pour l'assemblage).

Si une pièce a besoin d'être remplacée, la pièce de remplacement sera envoyée dans les 48 heures. (Sauf week-ends et jours fériés)

Noter la date d'achat de cet élément et conserver le livret pour future référence.

Pour contacter en ce qui concerne cet élément, faire référence au numéro de lot et numéro de modèle en appelant notre numéro sans frais.

Lot n° : _____

Date de l'achat : _____

| LISTE DE PIÈCES | | | LISTE DE PIÈCES | | |
|-----------------|--|----------|-----------------|--|----------|
| REFERENCE | DESCRIPTION | QUANTITÉ | REFERENCE | DESCRIPTION | QUANTITÉ |
| BK1 | ARRIÈRE | 1 | 35GA | ÉLÉMENT DROIT..... | 6 |
| B68 | FOND DE TIROIR..... | 6 | 35GB | ÉLÉMENT GAUCHE | 6 |
| D635 | CÔTÉ GAUCHE DE TIROIR..... | 6 | 35GC | TIROIR DROIT | 6 |
| | - 1 avec étiquette | | 35GD | TIROIR GAUCHE..... | 6 |
| D636 | CÔTÉ DROIT DE TIROIR..... | 6 | 10 | EXCENTRIQUE DE COULISSE | 12 |
| | -1 avec logo | | 5E | COUVERCLE DE COIN..... | 1 |
| D642 | ARRIÈRE DE TIROIR..... | 6 | 6E | CONSOLE DE PIED..... | 1 |
| G | PIED AVANT DROIT..... | 1 | 1F | EXCENTRIQUE ESCAMOTABLE..... | 22 |
| H | PIED AVANT GAUCHE | 1 | 2F | CHEVILLE D'EXCENTRIQUE | 16 |
| I | PIED ARRIÈRE | 2 | 8F | VIS D'EXCENTRIQUE | 6 |
| J | PIED..... | 2 | 15F | CHEVILLE EN BOIS..... | 12 |
| M | MOULURE DE DEVANT DE TIROIR..... | 6 | 177K | POIGNÉE..... | 6 |
| M67 | ENTRETOISE DE TIROIR..... | 6 | 1N | CLOU | 52 |
| | (Pièce cachée utilisant des matériaux recyclés. La couleur peut varier.) | | 6T | RAIL DE VERROUILLAGE | 2 |
| AA | EXTRÉMITÉ GAUCHE..... | 1 | 96 | KIT DE RETENUE ANTI-BASCULEMENT POUR MOBILIER..... | 1 |
| BB | EXTRÉMITÉ DROITE | 1 | 1S | VIS TÊTE LARGE 14 mm NOIRE..... | 5 |
| CC | DESSUS..... | 1 | 2S | VIS TÊTE PLATE 48 mm NOIRE..... | 2 |
| DD | MONTANT..... | 1 | 3S | VIS TÊTE PLATE 8 mm DORÉE | 48 |
| EE | DEVANT GAUCHE DE TIROIR | 3 | 10S | VIS TÊTE PLATE 28 mm ARGENTÉE..... | 12 |
| FF | DEVANT DROIT DE TIROIR..... | 3 | 15S | VIS À MÉTAUX 16 mm ARGENTÉE..... | 12 |
| KK | BLOC D'EXTENSION | 2 | 26S | VIS TÊTE PLATE 57 mm NOIRE | 6 |
| LL | BLOC D'EXTENSION AVEC RAINURE | 2 | 30S | VIS TÊTE PLATE 40 mm NOIRE | 30 |
| MM | DESSOUS..... | 1 | 60S | VIS TÊTE GOUTTE DE SUIF 25 mm NOIRE | 18 |
| | | | 62S | VIS EURO 14 mm..... | 4 |

Guide d'utilisation de la visserie

UTILISATION DE LA EXCENTRIQUE ESCAMOTABLE ET DE LA CHEVILLE D'EXCENTRIQUE

1. Enfoncer un EXCENTRIQUE ESCAMOTABLE dans la partie. La flèche dans l'EXCENTRIQUE ESCAMOTABLE doit être dirigée vers le trou dans le chant de la planche.

2. Insérer l'extrémité en métal de la CHEVILLE DE CAME dans la CAME ESCAMOTABLE.

3. Attention: Risque des dégâts ou blessures. Les EXCENTRIQUES ESCAMOTABLES doivent être serrés à bloc. Les EXCENTRIQUES ESCAMOTABLES que ne sont pas serrés à bloc peuvent desserrer et les pièces peuvent séparer. Pour serrer à bloc : Commencer. Flèche. Serrer. Maximum de 210 degrés. Minimum de 190 degrés.

UTILISATION DE LA EXCENTRIQUE ESCAMOTABLE ET DE LA VIS D'EXCENTRIQUE

1. Faire tourner la VIS D'EXCENTRIQUE jusqu'à ce que l'épaulement repose sur la surface de la pièce.

2. Enfoncer un EXCENTRIQUE ESCAMOTABLE dans la partie. La flèche dans l'EXCENTRIQUE ESCAMOTABLE doit être dirigée vers le trou dans le chant de la planche.

3. Insérer la VIS D'EXCENTRIQUE dans l'EXCENTRIQUE ESCAMOTABLE. Serrer l'EXCENTRIQUE ESCAMOTABLE.

ÉTAPE 1

Ne pas serrer les EXCENTRIQUES ESCAMOTABLES dans cette étape.

Assembler l'élément sur un sol à moquette ou sur le carton vide pour éviter d'endommager l'élément ou le sol.

Enfoncer deux EXCENTRIQUES ESCAMOTABLES (1F) dans le bord court de l'EXTRÉMITÉ GAUCHE (AA). Ensuite, insérer l'extrémité en métal de la CHEVILLE D'EXCENTRIQUE (2F) dans chaque EXCENTRIQUE ESCAMOTABLE.

Enfoncer trois EXCENTRIQUES ESCAMOTABLES (1F) dans les trous restants.

ÉTAPE 2

Insérer trois CHEVILLES EN BOIS (15F) dans le PIED AVANT GAUCHE (H).

Faire tourner trois VIS D'EXCENTRIQUE (8F) dans le PIED AVANT GAUCHE (H).

ÉTAPE 3

Fixer l'EXTRÉMITÉ GAUCHE (AA) au PIED AVANT GAUCHE (H). Serrer trois EXCENTRIQUES ESCAMOTABLES.

REMARQUE : S'assurer d'insérer les CHEVILLES EN BOIS dans le PIED dans l'EXTRÉMITÉ.

Insérer trois CHEVILLES EN BOIS (15F) dans l'EXTRÉMITÉ GAUCHE (AA).

Fixer le PIED ARRIÈRE (I) à l'EXTRÉMITÉ GAUCHE (AA). Utiliser trois VIS TÊTE PLATE 57 mm NOIRES (26S).

REMARQUE : S'assurer d'insérer les CHEVILLES EN BOIS de l'EXTRÉMITÉ dans le PIED.

ÉTAPE 4

Fixer trois ÉLÉMENTS GAUCHES (35GB) à l'EXTRÉMITÉ GAUCHE (AA). Utiliser six VIS TÊTE PLATE 8 mm DORÉES (3S) à travers les trous n° 1 et n° 3.

ÉTAPE 5

Ouvrir le KIT DE RETENUE ANTI-BASCULEMENT POUR MOBILIER (96) et fixer la SANGLE DE SÉCURITÉ au DESSUS (CC). Utiliser la VIS COURTE fournie.

REMARQUE : Placer la SANGLE DE SÉCURITÉ exactement comme l'indique le schéma.

ÉTAPE 6

Attention : Ne pas relever l'élément dans sa position verticale avant d'avoir fixé l'ARRIÈRE. L'élément risque de s'effondrer.

Fixer l'EXTRÉMITÉ GAUCHE (AA) au DESSUS (CC). Serrer deux EXCENTRIQUES ESCAMOTABLES.

ÉTAPE 7

Fixer un de chaque BLOC D'EXTENSION (KK et LL) au MONTANT (DD). Utiliser six VIS TÊTE PLATE 28 mm ARGENTÉES (10S).

REMARQUE : Il est préférable de donner quelques tours de tournevis à chaque VIS avant de les serrer toutes à bloc.

ÉTAPE 8

Insérer le montant d'un RAIL D'INTERVERROUILLAGE (6T) dans le gros trou dans le BLOC D'EXTENSION AVEC RAINURE (LL) et placer le RAIL D'INTERVERROUILLAGE dans la rainure.

ÉTAPE 9

Fixer trois ÉLÉMENTS DROITS (35GA) aux BLOCS D'EXTENSION (KK et LL). Utiliser six VIS TÊTE PLATE 8 mm DORÉES (3S) à travers les trous n° 1 et n° 3.

REMARQUE : Les GLISSIÈRES se recouvrent le RAIL D'INTERVERROUILLAGE légèrement.

ÉTAPE 10

Ne pas serrer les EXCENTRIQUES ESCAMOTABLES dans cette étape.

Retourner soigneusement le MONTANT (DD).

Enfoncer deux EXCENTRIQUES ESCAMOTABLES (1F) dans le MONTANT (DD). Ensuite, insérer l'extrémité en métal de la CHEVILLE D'EXCENTRIQUE (2F) dans chaque EXCENTRIQUE ESCAMOTABLE.

Fixer trois ÉLÉMENTS GAUCHES (35GB) au MONTANT (DD). Utiliser six VIS TÊTE PLATE 8 mm DORÉES (3S) à travers les trous n° 1 et n° 3.

ÉTAPE 11

Fixer le MONTANT (DD) au DESSUS (CC). Serrer deux EXCENTRIQUES ESCAMOTABLES.

ÉTAPE 12

Ne pas serrer les EXCENTRIQUES ESCAMOTABLES dans cette étape.

Enfoncer quatre EXCENTRIQUES ESCAMOTABLES (1F) dans le DESSOUS (MM). Ensuite, insérer l'extrémité en métal de la CHEVILLE D'EXCENTRIQUE (2F) dans chaque EXCENTRIQUE ESCAMOTABLE.

ÉTAPE 13

Fixer le DESSOUS (MM) à l'EXTRÉMITÉ GAUCHE (AA). Serrer deux EXCENTRIQUES ESCAMOTABLES.

ÉTAPE 14

Fixer le DESSOUS (MM) au MONTANT (DD). Utiliser deux VIS TÊTE PLATE 48 mm NOIRES (2S).

REMARQUE : Il est préférable de donner quelques tours de tournevis à chaque VIS avant de les serrer toutes à bloc.

ÉTAPE 15

Ne pas serrer les EXCENTRIQUES ESCAMOTABLES dans cette étape.

Enfoncer deux EXCENTRIQUES ESCAMOTABLES (1F) dans le bord court de l'EXTRÉMITÉ DROITE (BB). Ensuite, insérer l'extrémité en métal de la CHEVILLE D'EXCENTRIQUE (2F) dans chaque EXCENTRIQUE ESCAMOTABLE.

Enfoncer trois EXCENTRIQUES ESCAMOTABLES (1F) dans les trous restants.

ÉTAPE 16

Insérer trois CHEVILLES EN BOIS (15F) dans le PIED AVANT DROIT (G).

Faire tourner trois VIS D'EXCENTRIQUE (8F) dans le PIED AVANT DROIT (G).

ÉTAPE 17

Fixer l'EXTRÉMITÉ DROITE (BB) au PIED AVANT DROIT (G). Serrer trois EXCENTRIQUES ESCAMOTABLES.

REMARQUE : S'assurer d'insérer les CHEVILLES EN BOIS dans le PIED dans l'EXTRÉMITÉ.

Insérer trois CHEVILLES EN BOIS (15F) dans l'EXTRÉMITÉ DROITE (BB).

Fixer l'autre PIED ARRIÈRE (I) à l'EXTRÉMITÉ DROITE (BB). Utiliser trois VIS TÊTE PLATE 57 mm NOIRES (26S).

REMARQUE : S'assurer d'insérer les CHEVILLES EN BOIS de l'EXTRÉMITÉ dans le PIED.

ÉTAPE 18

Fixer les autres BLOCS D'EXTENSION (KK et LL) à l'EXTRÉMITÉ DROITE (BB). Utiliser six VIS TÊTE PLATE 28 mm ARGENTÉES (10S).

REMARQUE : Il est préférable de donner quelques tours de tournevis à chaque VIS avant de les serrer toutes à bloc.

ÉTAPE 19

Insérer le montant d'un RAIL D'INTERVERROUILLAGE (6T) dans le gros trou dans le BLOC D'EXTENSION AVEC RAINURE (LL) et placer le RAIL D'INTERVERROUILLAGE dans la rainure.

ÉTAPE 20

Fixer trois ÉLÉMENTS DROITS (35GA) aux BLOCS D'EXTENSION (KK et LL). Utiliser six VIS TÊTE PLATE 8 mm DORÉES (3S) à travers les trous n° 1 et n° 3.

REMARQUE : Les GLISSIÈRES se recouvrent le RAIL D'INTERVERROUILLAGE légèrement.

ÉTAPE 21

Fixer l'EXTRÉMITÉ DROITE (BB) au DESSUS (CC) et au DESSOUS (MM). Serrer quatre EXCENTRIQUES ESCAMOTABLES.

ÉTAPE 22

Attention : Ne pas relever l'élément dans sa position verticale avant d'avoir fixé l'ARRIÈRE. L'élément risque de s'effondrer.

Avec précaution, retourner l'élément sur ses bords avant. Déplier l'ARRIÈRE (BK1) et le placer sur l'élément comme l'indique le schéma.

Une perforation ont été prévue pour accès à travers l'ARRIÈRE (BK1) pour la SANGLE DE SÉCURITÉ. Découper soigneusement la perforation à l'étape suivante pour la SANGLE DE SÉCURITÉ plus tard dans l'assemblage.

IMPORTANT : L'unité doit être « équerré » à l'ARRIÈRE (BK1) avant de le fixer. Veiller à avoir des marges égales le long des bords supérieur et inférieur de l'ARRIÈRE (BK1). Ensuite, veiller à avoir des marges égales le long des bords latéraux de l'ARRIÈRE (BK1). Si besoin est, enfoncer sur les coins opposés de l'unité pour s'assurer d'être « d'équerre ».

INSTALLATION DE L'ARRIÈRE

1. Commencer à fixer l'ARRIÈRE (BK1) à l'aide de quatre VIS EURO 14 mm NOIRES (62S) à travers les quatre trous indiqués aux positions 1.
2. Continuer à fixer l'ARRIÈRE (BK1) à votre unité en utilisant les CLOUS (1N) à travers tous les trous restants.
3. **REMARQUE** : S'assurer de bien enfoncer les CLOUS dans les trous qui sont alignés au-dessus le MONTANT (DD).

ÉTAPE 23

Fixer une CONSOLE DE PIED (6E) au DESSOUS (MM). Utiliser trois VIS TÊTE LARGE 14 mm NOIRES (1S).

Faire glisser les PIEDS (J) sur le CONSOLE DE PIED (MM).

Appuyer fermement un COUVERCLE DE COIN (5E) sur les PIEDS (J).

Faire tourner deux VIS TÊTE LARGE 14 mm NOIRES (1S) dans les fentes du CONSOLE DE PIED.

ÉTAPE 24

Relever, avec précaution, l'unité dans sa position verticale et placer l'unité dans son emplacement final. Il est recommandé d'utiliser la SANGLE DE SÉCURITÉ pour renforcer la stabilité.

INSTALLATION SUR LES MONTANTS (Méthode préférée)

1. Repérer le centre d'un montant dans le mur près de votre unité et le marquer avec un crayon en-dessous de la surface supérieure de l'unité de sorte que la SANGLE DE SÉCURITÉ ne soit pas visible.
2. Percer un trou de 3 mm sur la marque et dans le montant dans le mur.
3. Fixer l'unité au mur. Utiliser la VIS LONGUE du KIT DE RETENUE ANTI-BASCULEMENT POUR MOBILIER (96) à travers le trou de la SANGLE DE SÉCURITÉ et dans le trou de 3 mm.

INSTALLATION DU DISPOSITIF D'ANCRAGE MURAL

1. Utiliser un crayon pour marquer votre mur à l'endroit souhaité juste en dessous de la surface supérieure de votre unité afin que la SANGLE DE SÉCURITÉ ne soit pas visible.
2. Percer un trou de 9,5 mm sur la marque.
3. Tout en pincer les ailes ensemble, utiliser un marteau pour enfoncer le DISPOSITIF D'ANCRAGE MURAL du KIT DE RETENUE ANTI-BASCULEMENT POUR MOBILIER (96) dans le trou jusqu'à ce qu'il soit à fleur avec la surface du mur.
4. Fixer l'unité au mur. Utiliser la VIS LONGUE à travers le trou dans la SANGLE DE SÉCURITÉ et dans le DISPOSITIF D'ANCRAGE MURAL. Tourner plusieurs tours pour serrer complètement.

ÉTAPE 25

Fixer un DEVANT GAUCHE DE TIROIR (EE) à une MOULURE DE DEVANT DE TIROIR (M). Utiliser trois VIS TÊTE GOUTTE DE SUIF 25 mm NOIRES (60S).

REMARQUE : Il est préférable de donner quelques tours de tournevis à chaque VIS avant de les serrer toutes à bloc.

REMARQUE : La MOULURE devrait être centrée sur le DEVANT DE TIROIR.

Répéter cette étape pour les autres DEVANTS DE TIROIR et les MOULURES DE DEVANT DE TIROIR.

ÉTAPE 26

1. Insérer les CÔTÉS DE TIROIR (D635 et D636) en biseau dans la fente dans chaque extrémité du DEVANT GAUCHE DE TIROIR (EE).

2. Enfiler un FOND DE TIROIR (B68) dans les rainures des CÔTÉS DE TIROIR (D635 et D636) et du DEVANT GAUCHE DE TIROIR (EE).

3. Enfoncer une EXCENTRIQUE ESCAMOTABLE (1F) dans l'une ENTRETOISE DE TIROIR (M67). Ensuite, insérer l'extrémité en métal de la CHEVILLE D'EXCENTRIQUE (2F) dans l'EXCENTRIQUE ESCAMOTABLE.

Fixer l'ENTRETOISE DE TIROIR (M67) au DEVANT GAUCHE DE TIROIR (EE). Serrer un EXCENTRIQUE ESCAMOTABLE.

4. Fixer l'ARRIÈRE DE TIROIR (D642) aux CÔTÉS DE TIROIR (D635 et D636) et à l'ENTRETOISE DE TIROIR (M67). Utiliser cinq VIS TÊTE PLATE 40 mm NOIRES (30S).

Répéter cette étape pour les autres tiroirs.

ÉTAPE 27

Insérer une EXCENTRIQUE DE COULISSE (10A) dans chaque CÔTÉ DE TIROIR (D635 et D636).

Fixer un TIROIR DROIT (35GC) au CÔTÉ DROIT DE TIROIR (D636) et un TIROIR GAUCHE (35GD) au CÔTÉ GAUCHE DE TIROIR (D635). Utiliser quatre VIS TÊTE PLATE 8 mm DORÉES (3S) à travers les trous n° 1 et n° 3.

REMARQUE : La tête de vis dans l'EXCENTRIQUE doit être visible à travers le trou fendu dans la COULISSE.

Répéter cette étape pour les autres tiroirs.

ÉTAPE 28

Fixer une POIGNÉE (177K) sur le DEVANT GAUCHE DE TIROIR (EE). Utiliser deux VIS À MÉTAUX 16 mm ARGENTÉES (15S).

Répéter cette étape pour les autres tiroirs.

ÉTAPE 29

REMARQUE : Ne pas utiliser le TIROIR avec l'étiquette dans cette étape.

Soulever complètement le levier sur le RAIL D'INTERVERROUILLAGE pour qu'il dépasse l'unité comme indiqué sur le schéma agrandi.

Pour insérer le tiroir dans l'élément, abaisser le devant du tiroir et faire passer les roulettes situées sur le tiroir derrière les roulettes situées sur l'élément. Relever le devant du tiroir et le glisser à mi-chemin dans l'unité.

REMARQUE : La roulette du tiroir doit descendre derrière la roulette de l'unité pour que votre tiroir fonctionne correctement. Le tiroir **ne** doit pas être placé au-dessus ou en dessous du rail de votre unité.

Abaisser le levier contre la glissière du tiroir et pousser **complètement** le tiroir dans l'unité. Un seul tiroir peut être ouvert à la fois.

ÉTAPE 30

AVERTISSEMENT :

Des enfants sont morts à la suite du basculement d'un meuble. Pour réduire le risque de basculement des meubles:

- TOUJOURS installer le dispositif anti-basculement fourni.
- Ne JAMAIS placer un téléviseur sur ce produit.
- Ne JAMAIS laisser des enfants se tenir debout, grimper ou s'accrocher aux tiroirs, aux portes ou aux étagères.
- Ne JAMAIS ouvrir plus d'un tiroir à la fois.
- NE PAS désactiver ou retirer le système de verrouillage du tiroir; c'est un système important pour la stabilité et la sécurité.
- Placer les objets les plus lourds dans les tiroirs les plus bas.

Cette étiquette est permanente. Ne pas l'enlever!

Répéter l'étape précédente pour insérer les autres TIROIRS. S'assurer de bien enfoncer chaque TIROIR **complètement** dans l'unité.

REMARQUE : S'assurer l'étiquette sur le CÔTÉ GAUCHE DE TIROIR est dans l'un des tiroirs SUPÉRIEURS.

ÉTAPE 31

Pour ajuster le tiroir, desserrer la VIS n° 3 dans les COULISSES un quart de tour et tourner ensuite la came dans le sens des aiguilles d'une montre ou dans le sens contraire. Noter que le tiroir monte ou descend lorsque l'on tourne la came. Ajuster le tiroir de cette manière permet au DEVANT DE TIROIR d'être mieux aligné une fois fermé. Resserrer les VIS après d'avoir ajusté.

ÉTAPE 32

REMARQUE : Prière de lire les informations importantes sur la sécurité figurant sur les pages arrière du manuel d'instructions.

Ceci complète l'assemblage. Nettoyer avec un tissu humide. Essuyer.

Cómoda

Use estas instrucciones de ensamblaje en español junto con las figuras paso-a-paso provistas en el folleto inglés. Cada paso en español corresponde al mismo paso en inglés. Compare la "Lista de Part" abajo con la "Part Identification" en el folleto en inglés para familiarizarse con Las partes de ensamblaje.

NOTA: ESTE FOLLETO DE INSTRUCCIONES CONTIENE INFORMACIÓN **IMPORTANTE** SOBRE LA SEGURIDAD. POR FAVOR LEA Y GUÁRDELO PARA REFERENCIA EN EL FUTURO.

CONTÁCTENOS PRIMERO

ANTES DE HACER DEVOLUCIONES A LA TIENDA.

Tratamos de asegurar que su mueble llega en condición excelente. Nuestros representantes de Servicio al Cliente son amables y listos para ayudarle con servicio rápido y eficiente si una parte está defectuosa o ausente (o si necesita ayuda con el ensamblaje).

Si requiere un repuesto de una parte, será enviado dentro de 48 horas (excepto los fines de semana y días festivos)

Anote la fecha de comprar esta unidad y guarde el folleto para su referencia futura. Si necesita ponerse en contacto con en cuanto a esta unidad, refiérase al número de lote y al número de modelo cuando llame a nuestro número gratis.

No. lote: _____

Fecha de compra: _____

| LISTA DE PARTES | | | LISTA DE PARTES | | |
|-----------------|--|----------|-----------------|---|----------|
| ITEM | DESCRIPCIÓN | CANTIDAD | ITEM | DESCRIPCIÓN | CANTIDAD |
| BK1 | DORSO..... | 1 | 35GA | GABINETE DERECHO | 6 |
| B68 | FONDO DE CAJÓN..... | 6 | 35GB | GABINETE IZQUIERDO..... | 6 |
| D635 | LADO IZQUIERDO DE CAJÓN..... | 6 | 35GC | CAJÓN DERECHO..... | 6 |
| | - 1 con etiqueta | | 35GD | CAJÓN IZQUIERDO..... | 6 |
| D636 | LADO DERECHO DE CAJÓN..... | 6 | 10 | EXCÉNTRICO DE CORREDERA..... | 12 |
| | -1 con logotipo | | 5E | CUBIERTA DE ESQUINA..... | 1 |
| D642 | DORSO DE CAJÓN..... | 6 | 6E | SOPORTE DE PATA..... | 1 |
| G | PATA DELANTERA DERECHA..... | 1 | 1F | EXCÉNTRICO ESCONDIDO | 22 |
| H | PATA DELANTERA IZQUIERDA..... | 1 | 2F | PASADOR DE EXCÉNTRICO..... | 16 |
| I | PATA POSTERIOR..... | 2 | 8F | BIELA DE EXCÉNTRICO | 6 |
| J | PATA..... | 2 | 15F | PASADOR DE MADERA..... | 12 |
| M | MOLDURA DE CARA DE CAJÓN..... | 6 | 177K | TIRADOR..... | 6 |
| M67 | RIOSTRA DE CAJÓN..... | 6 | 1N | CLAVO..... | 52 |
| | (Parte oculta utilizando material reciclado. El color puede variar.) | | 6T | CARRIL DE UNIÓN..... | 2 |
| AA | EXTREMO IZQUIERDO..... | 1 | 96 | KIT DE CONTROL ANTI-INCLINACIÓN PARA MOBILIARIO | 1 |
| BB | EXTREMO DERECHO | 1 | 1S | TORNILLO NEGRO DE CABEZA GRANDE de 14 mm..... | 5 |
| CC | PANEL SUPERIOR..... | 1 | 2S | TORNILLO NEGRO DE CABEZA PLANA de 48 mm..... | 2 |
| DD | PARAL | 1 | 3S | TORNILLO DORADO DE CABEZA PLANA de 8 mm..... | 48 |
| EE | CARA DE CAJÓN IZQUIERDO..... | 3 | 10S | TORNILLO PLATEADO DE CABEZA PLANA de 28 mm..... | 12 |
| FF | CARA DE CAJÓN DERECHO..... | 3 | 15S | TORNILLO PLATEADO PARA METAL de 16 mm..... | 12 |
| KK | BLOQUE DE EXTENSIÓN | 2 | 26S | TORNILLO NEGRO DE CABEZA PLANA de 57 mm..... | 6 |
| LL | BLOQUE DE EXTENSIÓN CON RANURA..... | 2 | 30S | TORNILLO NEGRO DE CABEZA PLANA de 40 mm..... | 30 |
| MM | FONDO..... | 1 | 60S | TORNILLO NEGRO DE CABEZA REDONDA de 25 mm..... | 18 |
| | | | 62S | TORNILLO EURO NEGRO de 14 mm..... | 4 |

Guía de uso de herrajes

CÓMO UTILIZAR EL EXCÉNTRICO ESCONDIDO Y EL PASADOR DE EXCÉNTRICO

1. Empuje un EXCÉNTRICO ESCONDIDO dentro de la parte. La flecha en el EXCÉNTRICO ESCONDIDO debe apuntar hacia el agujero en el borde de la tabla.
2. Inserte el extremo de metal de un PASADOR DE EXCÉNTRICO dentro de EXCÉNTRICO ESCONDIDO.
3. **Precaución:** Riesgo de daños o heridas. Los EXCÉNTRICOS ESCONDIDOS deben apretarse completamente. Los EXCÉNTRICOS ESCONDIDOS que no se aprieten completamente se aflojarán y las partes pueden separarse. Para apretar completamente: Comience. Flecha. Apriete. Máximo de 210 grados. Mínimo de 190 grados.

CÓMO UTILIZAR EL EXCÉNTRICO ESCONDIDO Y LA BIELA DE EXCÉNTRICO

1. Gire una BIELA DE EXCÉNTRICO hasta que el resalto repose contra de la parte.
2. Empuje un EXCÉNTRICO ESCONDIDO dentro de la parte. La flecha en el EXCÉNTRICO ESCONDIDO debe apuntar hacia el agujero en el borde de la tabla.
3. Inserte la BIELA DE EXCÉNTRICO en el EXCÉNTRICO ESCONDIDO. Apriete el EXCÉNTRICO ESCONDIDO.

PASO 1

No apriete los EXCÉNTRICOS ESCONDIDOS en este paso.

Ensamble la unidad sobre un piso alfombrado o sobre el cartón vacío para evitar rayar la unidad o el piso.

Empuje dos EXCÉNTRICOS ESCONDIDOS (1F) en el borde corto del EXTREMO IZQUIERDO (AA). A continuación, inserte el extremo de metal de un PASADOR DE EXCÉNTRICO (2F) en cada EXCÉNTRICO ESCONDIDO.

Empuje tres EXCÉNTRICOS ESCONDIDOS (1F) en los agujeros restantes.

PASO 2

Inserte tres PASADORES DE MADERA (15F) en la PATA DELANTERA IZQUIERDA (H).

Atornille tres BIELAS DE EXCÉNTRICO (8F) en la PATA DELANTERA IZQUIERDA (H).

PASO 3

Fije el EXTREMO IZQUIERDO (AA) a la PATA DELANTERA IZQUIERDA (H). Apriete tres EXCÉNTRICOS ESCONDIDOS.

NOTA: Asegúrese de que los PASADORES DE MADERA de la PATA se inserten en el EXTREMO.

Inserte tres PASADORES DE MADERA (15F) en el EXTREMO IZQUIERDO (AA).

Fije una PATA POSTERIOR (I) al EXTREMO IZQUIERDO (AA). Utilice tres TORNILLOS NEGROS DE CABEZA PLANA de 57 mm (26S).

NOTA: Asegúrese de que los PASADORES DE MADERA del EXTREMO se inserten en la PATA.

PASO 4

Fije tres GABINETES IZQUIERDOS (35GB) al EXTREMO IZQUIERDO (AA). Utilice seis TORNILLOS DORADOS DE CABEZA PLANA de 8 mm (3S) a través de los agujeros No. 1 y No. 3.

PASO 5

Abrir el KIT DE CONTROL ANTI-INCLINACIÓN PARA MOBILIARIO (96) y fijar la CORREA DE SEGURIDAD al PANEL SUPERIOR (CC). Utilice el TORNILLO CORTO provisto.

NOTA: Coloque la CORREA DE SEGURIDAD exactamente como se muestra.

PASO 6

Precaución: No coloque la unidad en posición vertical hasta que se fije el DORSO. La unidad podría caerse.

Fije el EXTREMO IZQUIERDO (AA) al PANEL SUPERIOR (CC). Apriete dos EXCÉNTRICOS ESCONDIDOS.

PASO 7

Fije uno de los BLOQUES DE EXTENSIÓN (KK y LL) al PARAL (DD). Utilice seis TORNILLOS PLATEADOS DE CABEZA PLANA de 28 mm (10S).

NOTA: Debe apretar cada TORNILLO unas vueltas antes de apretar cualquier tornillo firmemente.

PASO 8

Inserte el poste sobre un CARRIL DE UNIÓN (6T) en el agujero grande del BLOQUE DE EXTENSIÓN CON RANURA (LL) y coloque el CARRIL DE UNIÓN dentro de la ranura.

PASO 9

Fije tres GABINETES DERECHOS (35GA) a los BLOQUES DE EXTENSIÓN (KK y LL). Utilice seis TORNILLOS DORADOS DE CABEZA PLANA de 8 mm (3S) a través de los agujeros No. 1 y No. 3.

NOTA: Los RIELES se solaparán ligeramente el CARRIL DE UNIÓN.

PASO 10

No apriete los EXCÉNTRICOS ESCONDIDOS en este paso.

Con cuidado, dé vuelta el PARAL (DD).

Empuje dos EXCÉNTRICOS ESCONDIDOS (1F) en el PARAL (DD). A continuación, inserte el extremo de metal de un PASADOR DE EXCÉNTRICO (2F) en cada EXCÉNTRICO ESCONDIDO.

Fije tres GABINETES IZQUIERDOS (35GB) al PARAL (DD). Utilice seis TORNILLOS DORADOS DE CABEZA PLANA de 8 mm (3S) a través de los agujeros No. 1 y No. 3.

PASO 11

Fije el PARAL (DD) al PANEL SUPERIOR (CC). Apriete dos EXCÉNTRICOS ESCONDIDOS.

PASO 12

No apriete los EXCÉNTRICOS ESCONDIDOS en este paso.

Empuje cuatro EXCÉNTRICOS ESCONDIDOS (1F) en el FONDO (MM). A continuación, inserte el extremo de metal de un PASADOR DE EXCÉNTRICO (2F) en cada EXCÉNTRICO ESCONDIDO.

PASO 13

Fije el FONDO (MM) al EXTREMO IZQUIERDO (AA). Apriete dos EXCÉNTRICOS ESCONDIDOS.

PASO 14

Fije el FONDO (MM) al PARAL (DD). Utilice dos TORNILLOS NEGROS DE CABEZA PLANA de 48 mm (2S).

NOTA: Debe apretar cada TORNILLO unas vueltas antes de apretar cualquier tornillo firmemente.

PASO 15

No apriete los EXCÉNTRICOS ESCONDIDOS en este paso.

Empuje dos EXCÉNTRICOS ESCONDIDOS (1F) en el borde corto del EXTREMO DERECHO (BB). A continuación, inserte el extremo de metal de un PASADOR DE EXCÉNTRICO (2F) en cada EXCÉNTRICO ESCONDIDO.

Empuje tres EXCÉNTRICOS ESCONDIDOS (1F) en los agujeros restantes.

PASO 16

Inserte tres PASADORES DE MADERA (15F) en la PATA DELANTERA DERECHA (G).

Atornille tres BIELAS DE EXCÉNTRICO (8F) en la PATA DELANTERA DERECHA (G).

PASO 17

Fije el EXTREMO DERECHO (BB) a la PATA DELANTERA DERECHA (G). Apriete tres EXCÉNTRICOS ESCONDIDOS.

NOTA: Asegúrese de que los PASADORES DE MADERA de la PATA se inserten en el EXTREMO.

Inserte tres PASADORES DE MADERA (15F) en el EXTREMO DERECHO (BB).

Fije la otra PATA POSTERIOR (I) al EXTREMO DERECHO (BB). Utilice tres TORNILLOS NEGROS DE CABEZA PLANA de 57 mm (26S).

NOTA: Asegúrese de que los PASADORES DE MADERA del EXTREMO se inserten en la PATA.

PASO 18

Fije los otros BLOQUES DE EXTENSIÓN (KK y LL) al EXTREMO DERECHO (BB). Utilice seis TORNILLOS PLATEADOS DE CABEZA PLANA de 28 mm (10S).

NOTA: Debe apretar cada TORNILLO unas vueltas antes de apretar cualquier tornillo firmemente.

PASO 19

Inserte el poste sobre un CARRIL DE UNIÓN (6T) en el agujero grande del BLOQUE DE EXTENSIÓN CON RANURA (LL) y coloque el CARRIL DE UNIÓN dentro de la ranura.

PASO 20

Fije tres GABINETES DERECHOS (35GA) a los BLOQUES DE EXTENSIÓN (KK y LL). Utilice seis TORNILLOS DORADOS DE CABEZA PLANA de 8 mm (3S) a través de los agujeros No. 1 y No. 3.

NOTA: Los RIELES se solaparán ligeramente el CARRIL DE UNIÓN.

PASO 21

Fije el EXTREMO DERECHO (BB) al PANEL SUPERIOR (CC) y al FONDO (MM). Apriete cuatro EXCÉNTRICOS ESCONDIDOS.

PASO 22

Precaución: No coloque la unidad en posición vertical hasta que se fije el DORSO. La unidad podría caerse.

Cuidadosamente voltee la unidad para que repose sobre los bordes delanteros. Desdoble el DORSO (BK1) y colóquelo sobre la unidad como se muestra.

Se ha provisto una perforación para acceso a través del DORSO (BK1) para la CORREA DE SEGURIDAD. Corte la perforación más tarde en el montaje para la CORREA DE SEGURIDAD.

IMPORTANTE: Su unidad debe estar "cuadrada" con el DORSO (BK1) antes de sujetarlo. Los márgenes a lo largo de los bordes superior e inferior del DORSO (BK1) deben estar uniformes. A continuación, los márgenes a lo largo de los dos bordes laterales del DORSO (BK1) deben estar uniformes. Empuje sobre las esquinas opuestas de la unidad si es requerido para hacerla "cuadrada."

INSTALACIÓN DEL DORSO:

1. Comience a sujetar el DORSO (BK1) con cuatro TORNILLOS NEGROS EURO de 14 mm (62S) a través de los cuatro agujeros que se muestran en las posiciones 1.
2. Termine de sujetar el DORSO (BK1) a la unidad utilizando los CLAVOS (1N) a través de todos los agujeros restantes.
3. **NOTA:** Asegúrese de clavar ligeramente los CLAVOS en los agujeros que se alinean sobre el PARAL (DD).

PASO 23

Fije un SOPORTE DE PATA (6E) al FONDO (MM). Utilice tres TORNILLOS NEGROS DE CABEZA GRANDE de 14 mm (1S).

Deslice las PATAS (J) sobre el SOPORTE DE PATA del FONDO (MM).

Presione firmemente la CUBIERTA DE ESQUINA (5E) sobre las PATAS (J).

Atornille dos TORNILLOS NEGROS DE CABEZA GRANDE de 14 mm (1S) en las ranuras cortas del SOPORTE DE PATA.

PASO 24

Cuidadosamente ponga la unidad en posición vertical y coloque su unidad en su posición final. Se recomienda que utilice la CORREA DE SEGURIDAD para aumentar la estabilidad.

INSTALACIÓN DEL SOPORTE DE MADERA (Método preferido)

1. Ubique el centro del soporte de madera en la pared cerca de su unidad y marque con un lápiz debajo de la superficie superior de su unidad para que la CORREA DE SEGURIDAD no sea visible.
2. Perfore un agujero de 3 mm en la marca y entre el soporte de madera de su pared.
3. Fije la unidad a la pared. Utilice el TORNILLO LARGO desde el KIT DE CONTROL ANTI-INCLINACIÓN PARA MOBILIARIO (96) a través del agujero en la CORREA DE SEGURIDAD y en el agujero de 3 mm.

INSTALACIÓN DEL ANCLAJE PARA EL DRYWALL

1. Use un lápiz para marcar su pared en la ubicación deseada justo debajo de la superficie superior de su unidad para que la CORREA DE SEGURIDAD no sea visible.
2. Taladre un agujero de 9,5 mm en la marca.
3. Mientras empuje las alas juntas, use un martillo para golpear el ANCLAJE DE PARED desde el KIT DE CONTROL ANTI-INCLINACIÓN PARA MOBILIARIO (96) en el agujero hasta que quede nivelado con la superficie de la pared.
4. Fije la unidad a la pared. Utilice el TORNILLO LARGO a través del agujero en la CORREA DE SEGURIDAD y en el ANCLAJE DE PARED. Gire varias vueltas para apretar completamente.

PASO 25

Fije una CARA DE CAJÓN IZQUIERDO (EE) a una MOLDURA DE CARA DE CAJÓN (M). Utilice tres TORNILLOS NEGROS DE CABEZA REDONDA de 25 mm (60S).

NOTA: Debe apretar cada TORNILLO unas vueltas antes de apretar cualquier tornillo firmemente.

NOTA: La MOLDURA debe centrarse sobre la CARA DE CAJÓN.

Repita este paso para las otras CARAS DE CAJÓN y las MOLDURAS DE CARA DE CAJÓN.

PASO 26

1. Inserte los LADOS DE CAJÓN (D635 y D636) en ángulo dentro del encaje en cada extremo de la CARA DE CAJÓN IZQUIERDO (EE).

2. Deslice un FONDO DE CAJÓN (B68) dentro de las ranuras de los LADOS DE CAJÓN (D635 y D636) y de la CARA DE CAJÓN IZQUIERDO (EE).

3. Empuje un EXCÉNTRICO ESCONDIDO (1F) en una RIOSTRA DE CAJÓN (M67). A continuación, inserte el extremo de metal de un PASADOR DE EXCÉNTRICO (2F) en el EXCÉNTRICO ESCONDIDO.

Fije la RIOSTRA DE CAJÓN (M67) a la CARA DE CAJÓN IZQUIERDO (EE). Apriete un EXCÉNTRICO ESCONDIDO.

4. Fije un DORSO DE CAJÓN (D642) a los LADOS DE CAJÓN (D635 y D636) y a la RIOSTRA DE CAJÓN (M67). Utilice cinco TORNILLOS NEGROS DE CABEZA PLANA de 40 mm (30S).

Repita este paso para los otros cajones.

PASO 27

Inserte un EXCÉNTRICO DE CORREDERA (10A) en cada LADO DE CAJÓN (D635 y D636).

Fije un CAJÓN DERECHO (35GC) al LADO DERECHO DE CAJÓN (D636) y un CAJÓN IZQUIERDO (35GD) al LADO IZQUIERDO DE CAJÓN (D635). Utilice cuatro TORNILLOS DORADOS DE CABEZA PLANA de 8 mm (3S) a través de los agujeros No. 1 y No. 3.

NOTA: La cabeza de tornillo del EXCÉNTRICO debe ser visible a través del agujero alargado de la CORREDERA.

Repita este paso para los otros cajones.

PASO 28

Fije un TIRADOR (177K) a la CARA DE CAJÓN IZQUIERDO (EE). Utilice dos TORNILLOS PLATEADOS PARA METAL de 16 mm (15S).

Repita este paso para los otros cajones.

PASO 29

NOTA: No utilice el CAJÓN con etiqueta en este paso.

Levante la palanca en el CARRIL DE UNIÓN completamente para que sobresalga como se muestra en el diagrama ampliado.

Para insertar el cajón en la unidad, incline la parte delantera del cajón hacia abajo y deje que los rodillos del cajón caigan detrás de los rodillos de la unidad. Levante la parte delantera del cajón y deslice el cajón hasta la mitad dentro de la unidad.

NOTA: El rodillo del cajón debe caer detrás del rodillo de la unidad para que el cajón funcione correctamente. El cajón **no** debe quedar encima o debajo del riel de su unidad.

Baje la palanca contra la corredera del cajón y empuje el cajón **completamente** dentro de la unidad. Sólo se puede abrir un cajón a la vez.

PASO 30

ADVERTENCIA:

Los niños han muerto por el volcamiento de muebles. Para reducir el riesgo de volcamiento de muebles:

- SIEMPRE instale el dispositivo antivuelco suministrado.
- NUNCA coloque un televisor sobre este producto.
- NUNCA permita que los niños se paren, suban o cuelguen de ningún cajón, puerta o estante.
- NUNCA abra más de un cajón a la vez.
- NO anule ni retire el sistema de bloqueo de los cajones; es un importante sistema de estabilidad y seguridad.
- Coloque los objetos más pesados en los cajones más bajos.

Esta es una etiqueta permanente. ¡No remover!

Repita el paso anterior para insertar los otros CAJONES. Asegúrese de empujar cada CAJÓN **completamente** dentro de la unidad.

NOTA: Asegúrese de que la etiqueta al LADO IZQUIERDO DE CAJÓN esté en uno de los cajones SUPERIORES.

PASO 31

Para ajustar el cajón, afloje el TORNILLO No. 3 de las CORREDERAS una cuarta vuelta y después gire la leva hacia la derecha o hacia la izquierda. Observe que el cajón sube o baja al girar la leva. Al ajustar el cajón de esta manera, mejorará la alineación de la CARA DE CAJÓN una vez cerrada. Apriete los TORNILLOS después de hacer los ajustes.

PASO 32

NOTA: Por favor, lea las páginas de atrás del folleto de instrucciones en cuanto a importante información de seguridad.

Esto completa el ensamblaje. Limpiar con un trapo húmedo. Seque con un paño.

WARNING

Please use your furniture correctly and safely. Improper use can cause safety hazards, or damage to your furniture or household items. Carefully read the following safety information.

Death or serious injury may occur when children climb on furniture. A remote control, toys or other items placed on the furniture may encourage a child to climb on the furniture which could cause it to tip-over and result in serious injury or death.

NEVER allow children to climb on furniture.

NEVER place toys, food, remote, etc. on top of furniture.

ALWAYS use either the safety hardware as instructed or other wall anchoring device.

Placing audio and/or video equipment onto furniture not specifically designed to support audio and/or video equipment may result in death or serious injury due to furniture collapse or tip over.

NEVER place a TV on furniture that is not intended to support a TV.

This product is not designed to support a television unless a TV warning label is included and the instructions specifically state the size and weight of the television.

Overloading drawers and shelves may result in furniture that can break or sag, or tip-over which may result in injury.

NEVER exceed the weight limits shown in the instructions.

Place the heavier items on lower shelves as far back from the front as possible.

Load the bottom surfaces first to avoid top-heavy furniture.

Moving furniture that is not designed to be moved or equipped with casters may result in injury or damage to furnishings or personal property.

ALWAYS unload shelves and drawers, starting with the top surfaces, before moving.

NEVER push or pull furniture on carpet. Have a friend help lift properly to move and/or reposition it.

AVERTISSEMENT

Prière d'utiliser le mobilier à bon escient et avec prudence. Une mauvaise utilisation peut être à l'origine de risques d'accident ou peut endommager le mobilier et les articles ménagers. Lire attentivement l'information suivante sur la sécurité.

La mort voire de graves blessures peuvent se produire lorsque des enfants grimpent sur les meubles. Une télécommande, des jouets ou d'autres articles placés sur un meuble peuvent encourager un enfant à grimper sur le meuble qui pourrait le renverser et résulter en graves blessures voire la mort.

NE JAMAIS laisser les enfants grimper sur les meubles.

NE JAMAIS placer de jouets, d'aliments, de télécommande, etc. sur les meubles.

TOUJOURS utiliser soit la visserie de sécurité comme il l'est indiqué soit un autre dispositif d'ancrage mural.

Placer du matériel audio et/ou vidéo sur un meuble non spécifiquement conçu pour supporter du matériel audio et/ou vidéo peut entraîner la mort voire de graves blessures en raison de l'effondrement du meuble ou de son renversement sur un enfant.

NE JAMAIS placer de téléviseur sur un meuble non conçu pour supporter un téléviseur.

Ce produit n'est pas conçu pour supporter un téléviseur à moins qu'une étiquette d'avertissement de téléviseur ne soit incluse et que les instructions indiquent spécifiquement la taille et le poids du téléviseur.

Surcharger les tiroirs et tablettes peut provoquer la casse, l'affaissement ou encore le renversement du meuble entraînant ainsi des blessures.

NE JAMAIS excéder les limites de poids indiquées sur les instructions.

Placer les articles plus lourds sur les tablettes inférieures aussi loin que possible de l'avant.

Charger les surfaces inférieures en premier pour éviter un meuble trop lourd en haut.

Déplacer un meuble qui n'est pas conçu pour être déplacé ou qui est équipé de roulettes peut entraîner des blessures voire des dommages de meuble ou de matériel personnel.

TOUJOURS décharger les tablettes et les tiroirs, en commençant par les surface supérieures, avant de déplacer le meuble.

NE JAMAIS pousser ou tirer un meuble sur de la moquette. Demander à une autre personne de le soulever correctement pour le déplacer et/ou le repositionner.

⚠ ADVERTENCIA

Por favor use el mobiliario correcta y seguramente. El mal uso puede causar riesgos de seguridad o daño a las unidades o artículos domésticos. Lea cuidadosamente la siguiente información de seguridad.

Pueden suceder lesiones graves o la muerte cuando los niños se suben en los muebles. Un control remoto, juguetes u otros artículos colocados en los muebles pueden alentar a un niño a subirse en el mueble, lo cual podría causar que se derribe y resultaría en lesiones graves o la muerte.

NUNCA permita que los niños se suban en los muebles.

NUNCA coloque juguetes, comida, control remoto, etc. encima de los muebles.

SIEMPRE utilice el soporte físico de seguridad según las instrucciones u otro dispositivo de anclaje en la pared.

La colocación de equipos de audio y/o video en muebles que no estén específicamente diseñados para soportar equipos de audio y/o video puede resultar en muerte o lesiones graves debido al colapso de los muebles o al derribarse.

NUNCA coloque un televisor en muebles que no estén diseñados para soportar un televisor.

Este producto no está diseñado para soportar un televisor a menos que se incluya una etiqueta de advertencia de televisor y las instrucciones específicamente indiquen el tamaño y peso del televisor.

El sobrecargar los cajones y estantes puede resultar en muebles que se puedan romper o colapsar o derribar, lo que puede resultar en lesiones.

NUNCA exceda los límites de peso indicados en las instrucciones.

Coloque los artículos más pesados en los estantes inferiores cuanto lejos de la parte delantera sea posible.

Cargue las superficies inferiores primero para evitar muebles con la parte superior pesada.

El mover muebles que no estén diseñados para ser movidos o equipados con ruedas puede resultar en lesiones o daños al mueble o a los bienes personales.

SIEMPRE descargue los estantes y cajones, empezando con las superficies superiores, antes de moverlo.

NUNCA empuje ni tire de los muebles sobre una alfombra. Obtenga que un amigo le ayude a levantarlo correctamente para moverlo y/o reposicionarlo.

5-YEAR LIMITED WARRANTY

1. We provide limited warranty coverage to the original purchaser of this product for a period of five years from the date of purchase against defects in materials or workmanship of the furniture components. As used in this Warranty, "defect" means imperfections in components which substantially impair the utility of the product. This Warranty gives you specific legal rights, and you may also have other rights which vary from state to state.

2. There is no warranty coverage for defects or conditions that result from the failure to follow product assembly instructions, information or warnings, misuse or abuse, intentional damage, fire, flood, alteration or modification of the product, or use of the product in a manner inconsistent with its intended use, nor any condition resulting from incorrect or inadequate maintenance, cleaning, or care. There is also no warranty coverage for rented products or any products purchased "used" or "as is", at a distress or going-out-of business sale, or from a liquidator.

3. As the exclusive remedy under this Warranty, we will (at our sole option) repair, replace, or refund the value of any defective furniture component. We may require independent confirmation of the claimed defect and proof of purchase. Replacement parts will be warranted for only the remaining period of the original Warranty. WE SHALL HAVE NO LIABILITY FOR ANY INCIDENTAL OR CONSEQUENTIAL DAMAGES OF ANY KIND and all such damages are EXCLUDED FROM THIS WARRANTY, such as loss of use, disassembly, transportation, labor, or damage to property on or near the product. Some states do not allow the exclusion or limitation of incidental or consequential damages, so the above limitation or exclusion may not apply to you.

GARANTIE LIMITÉE DE 5 ANS

1. Voici le texte révisé en français, conformément à vos instructions (retrait de la marque, généralisation des pronoms à "nous," et corrections grammaticales si nécessaire) :

Garantie Limitée

Nous offrons une couverture de garantie limitée à l'acheteur initial du présent produit pendant une période de cinq ans à compter de la date d'achat contre tout défaut de matériaux ou de fabrication des composantes de mobilier. Le mot « défaut », tel qu'il est utilisé sous les termes de la présente garantie, comprend les imperfections des pièces qui empêchent substantiellement l'utilisation du produit. La présente garantie vous donne des droits légaux spécifiques et il est possible que vous ayez des droits supplémentaires variant d'État en État ou de province en province.

2. La présente garantie ne saurait couvrir les défauts ou conditions qui surviendraient à la suite du non-respect des instructions, informations ou mises en garde de montage, d'une mauvaise utilisation ou d'un abus, d'un dommage intentionnel, d'un incendie, d'une inondation, d'une altération ou modification du produit, d'une utilisation du produit allant à l'encontre de son usage prévu, ni aucune condition résultant d'une maintenance, d'un nettoyage ou d'un entretien inappropriés ou inadéquats. De plus, il n'existe aucune garantie pour les produits loués ou tous les produits achetés « d'occasion » ou « en l'état », dans le cadre d'une vente aux enchères ou de solde pour cessation de commerce, ou auprès d'un liquidateur.

3. En tant que recours exclusif en vertu de la présente garantie, nous réparerons, remplacerons ou rembourserons (sur notre seule décision) la valeur de toute composante de mobilier défectueuse. Nous pouvons exiger une confirmation indépendante du défaut revendiqué ainsi qu'une preuve d'achat. Les pièces de rechange seront garanties uniquement pendant la période restante de la garantie originale. NOUS NE SERONS EN AUCUN CAS RESPONSABLES DE TOUT DOMMAGE ACCESSOIRE OU CONSÉCUTIF DE TOUTE SORTIE et lesdits dommages sont EXCLUS DE LA PRÉSENTE GARANTIE, à savoir perte d'utilisation, démontage, transport, main d'œuvre ou dommages matériels sur ou à proximité du produit. Certains États ou provinces ne permettant pas l'exclusion ou la limite aux responsabilités pour dommages accidentels ou consécutifs, la limite ou l'exclusion ci-dessus peut ne pas être applicable.

GARANTÍA LIMITADA DE 5 AÑOS

1. Nosotros proveemos cobertura de garantía limitada al comprador original de este producto por un período de cinco años, a partir de la fecha de compra, contra defectos en los materiales o de mano de obra en los componentes de muebles. Como es utilizado en esta Garantía, "defecto" significa imperfecciones en los componentes que de manera fundamental afectan la utilidad del producto. Esta Garantía le permite a usted ciertos derechos legales, y usted también podría poseer otros derechos adicionales, los cuales varían de estado a estado.

2. No hay cobertura de garantía para defectos o estados que resulten del incumplimiento en seguir las instrucciones, la información o las advertencias sobre el ensamblaje del producto; del uso incorrecto o maltrato, del daño intencional, incendio, inundación, cambio o modificación del producto; o de la utilización del producto de manera contradictoria con el uso para el cual fue fabricado, ni por ningún estado que resulte del mantenimiento, limpieza o cuidado incorrecto o inadecuado. Tampoco hay cobertura de garantía para los productos rentados o para cualesquiera productos comprados "de uso" o "como está", en una venta de bienes embargados o en una venta por salirse del negocio, o comprados a un liquidador.

3. Como un recurso exclusivo bajo esta Garantía, nosotros (sólo a nuestra opción) repararemos, reemplazaremos o reembolsaremos el valor de cualquier componente defectuoso de mueble. Nosotros podemos requerir una confirmación independiente de un defecto reclamado y una prueba de compra. Las piezas de repuesto serán garantizadas solamente por el período de tiempo que queda de la Garantía original. NOSOTROS NO TENDREMOS RESPONSABILIDAD por NINGÚN DAÑO INCIDENTAL O CONSECUENTE DE NINGÚN TIPO y todos dichos daños SE EXCLUYEN DE ESTA GARANTÍA, tales como pérdida de uso, desensamblaje, transportación, trabajo o daño a la propiedad en o cerca del producto. Algunos estados no permiten la exclusión o limitación de daños incidentales o consecuentes, en tales instancias la limitación o exclusión antes mencionada podría no ser aplicable a usted.

4. This Warranty applies only to warranted defects that first arise and are reported to us within the warranty coverage period. The Warranty cannot be transferred to subsequent owners or users of the product, and it shall be immediately void in the event the product is resold, transferred, leased, or rented to any third party or person other than the original purchaser.

5. THERE ARE NO OTHER WARRANTIES APPLICABLE TO THIS PRODUCT. Under the laws of certain states, there may be no implied warranties from us and all implied warranties, INCLUDING ANY IMPLIED WARRANTY OF MERCHANTABILITY OR FITNESS FOR A PARTICULAR PURPOSE ARE DISCLAIMED where allowed by law. TO THE EXTENT ANY IMPLIED WARRANTIES ARE APPLICABLE, ANY IMPLIED WARRANTIES, INCLUDING ANY IMPLIED WARRANTY OF MERCHANTABILITY OR FITNESS FOR A PARTICULAR PURPOSE, ARE LIMITED IN DURATION TO THE DURATION OF THIS EXPRESS WARRANTY or the minimum period allowed by law, whichever is shorter. Some states do not allow limitations on how long an implied Warranty lasts, so the above limitation may not apply to you.

6. For Warranty inquiries or claims, please contact us. We may require Warranty claims to be submitted in writing. Please include your sales receipt or other proof of purchase and a specific description of the product defect.

4. La présente garantie ne s'applique qu'aux défauts garantis qui se produisent pour la première fois et qui sont signalés à nous dans les limites de couverture de la garantie. La garantie ne peut pas être transférée à des propriétaires ou utilisateurs subséquents du produit, et sera immédiatement invalidée dans le cas où le produit est revendu, transféré, loué sous bail ou loué à une tierce partie ou personne autre que l'acheteur original.

5. IL N'EXISTE AUCUNE AUTRE GARANTIE EN VIGUEUR POUR LE PRÉSENT PRODUIT. En vertu des lois de certains États ou provinces, il ne peut y avoir de garanties implicites de notre part et toutes les garanties implicites, Y COMPRIS TOUTE GARANTIE IMPLICITE DE COMMERCIALITÉ OU D'ADAPTATION À UN USAGE PARTICULIER SONT DÉCLINÉES partout où la loi l'autorise. DANS LA MESURE OÙ TOUTE GARANTIE IMPLICITE EST APPLICABLE, TOUTE GARANTIE IMPLICITE, Y COMPRIS TOUTE GARANTIE DE COMMERCIALITÉ OU D'ADAPTATION À UN USAGE PARTICULIER, EST LIMITÉE À LA DURÉE DE LA PRÉSENTE GARANTIE EXPRESSE ou à la période minimum autorisée par la loi, la période la plus courte étant retenue. Certains États ne permettant pas que des limites soient imposées quant à la durée d'une garantie implicite, la limite ci-dessus peut donc ne pas être applicable.

6. Pour toute question concernant la garantie ou toute demande de réclamation, veuillez nous contacter. Nous pouvons exiger de soumettre les demandes de réclamation sous garantie par écrit. Veuillez joindre votre ticket de caisse ou toute autre preuve d'achat ainsi qu'une description spécifique du défaut de produit.

4. Esta Garantía sólo es aplicable a defectos garantizados que primeramente surjan y se informen a nosotros dentro del período de cobertura de garantía. La Garantía no puede ser transferida a propietarios o usuarios subsiguientes del producto, y esta será inmediatamente invalidada en el caso que el producto sea revendido, transferido, arrendado o rentado a cualquier tercero u otra persona que no sea el comprador original.

5. NO HAY OTRA GARANTÍA APLICABLE A ESTE PRODUCTO. Bajo las leyes de ciertos estados, pueden no haber garantías implícitas de nuestra parte y se hace renuncia de responsabilidad de todas las garantías implícitas donde lo permita la ley, INCLUYENDO CUALQUIER GARANTÍA IMPLICITA DE MERCANTIBILIDAD O DE APTITUD PARA UN PROPÓSITO EN PARTICULAR. EN LA MEDIDA CUALQUIER GARANTÍA IMPLICITA ES APPLICABLE, CUALESQUIERA GARANTÍAS IMPLÍCITAS, INCLUYENDO AQUELLA DE MERCANTIBILIDAD O DE APTITUD PARA UN PROPÓSITO EN PARTICULAR, SE LIMITAN EN DURACIÓN HASTA LA DURACIÓN DE ESTA GARANTÍA EXPRESA o hasta el periodo mínimo permitido por la ley, la que sea más corta. Algunos estados no permiten limitaciones en cuanto a la duración de una garantía implícita, por eso la limitación arriba citada pueda no ser aplicable a usted.

6. Para solicitud de información o reclamación de Garantía, por favor, contáctenos. Nosotros podemos solicitar que las reclamaciones sean presentadas por escrito. Por favor, incluya su recibo de venta u otra prueba de compra y una descripción detallada del defecto del producto.