

"Why Our Furniture Comes in Smaller, Easy-To-Assemble Packages"

We believe that thoughtful packaging and design are essential to providing quality furniture that's better for the environment and easier on your wallet. That's why our products are shipped in fully knock-down, space-efficient packaging. This approach reduces the carbon footprint of transportation, minimizes packaging waste, and ultimately allows us to pass on significant savings to you. Additionally, our flat-packed designs make it simple to move and assemble your new furniture at home, saving you time and costly delivery fees. With a little consumer effort, you'll enjoy great furniture at a lower cost while making a greener choice for the planet. Take your time, follow the instructions, and enjoy watching your vision come to life--piece by piece."

We believe you will absolutely love your new furniture. Please immediately examine this product carefully. Any request for missing part or damage replacement must be received within 90 days of your receipt of the product. For some reason you want to return the product, please contact us directly before you decide to return your product to the retailer. Our Customer Service team can answer most concerns and can assist you with any questions you may have about your new product.

Please contact us first by emailing service@casepiece.com

Have these ready when you email:

- **Item Number**
- **PO #**
- **Purchaser Name**
- **Description of the problem and/or the Part Number needed**
- **Proof of Purchase**

Replacements for missing or damaged parts or hardware are normally shipped within 3 to 5 business days and we thank you for your patient.

The item must be returned in good condition, in original box, with all original proof of purchase, parts and accessories, within the time frame specified by the retailer it was purchased from.

90-Day Limited Warranty Statement for Manufacturing Defects

Please read this Limited Warranty carefully. To maintain your Warranty, you will need to comply with the conditions stated here.

This warranty is for manufacturing defects only and does not cover damages as a result of misuse.

1. Our products sold comply with the description contained in this Warranty. All parts and products are warranted 90-Day from the original date of delivery except: parts and products used for commercial, contract, rental trade, institutional, or any other non-residential purposes; parts and products that have not been maintained in accordance with the care recommendations provided; parts and products damaged resulting from the consumer's improper assembly; or parts and products that are damaged or defective due to normal wear and tear.

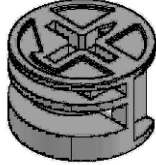
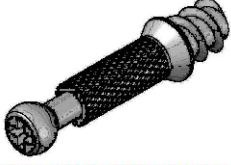
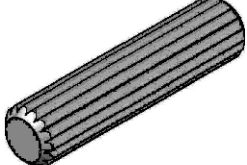
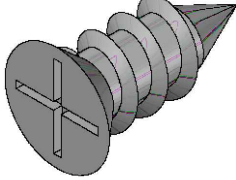
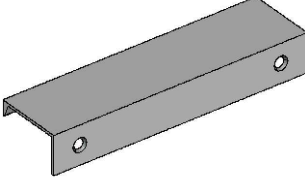
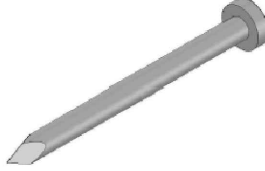
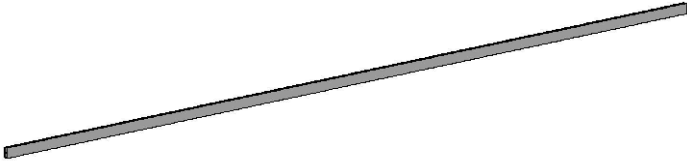
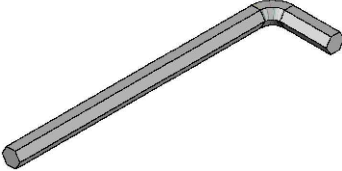
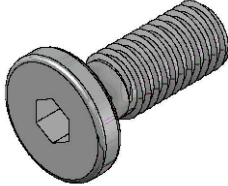
2. To exercise rights under this warranty, proper documentation, i.e., photography, purchase order number, manufacturer's bar code label, and or any other pertinent information upon request is required. We reserve the right to repair or replace the product within the warranty period based upon the documentation received as support of a claim for consideration. We will not replace or repair any product if improper maintenance, improper handling, or improper use caused the damage. Any product sold from or modified by a Non-Authorized Dealer, Seller or Consumer will void the Warranty.

3. Cost of packaging and shipping to and from us is not covered by the warranty unless expressly arranged by us. This warranty does not extend to furniture that has been exchanged or replaced by us as settlement of an original claim of defective merchandise. This warranty does not extend to furniture that has been moved from delivery location on original purchase order.

We appreciate your business!

ASSEMBLY INSTRUCTION

HARDWARES LIST

ITEM	DESCRIPTION	DRAWING	QTY
A	MINIFIX CAM LOCK		60 PCS
B	MINIFIX CAM BOLT		60 PCS
C	WOOD DOWEL (M6 x 25MM)		64 PCS
D	CSK C/B SCREW M3.5 x 12MM		12 PCS
E	HANDLE		6 PCS
F	6/8" NAIL		26 PCS
G	PLASTIC STRIP (H SHAPE)		1 PC
H	M4 ALLEN KEY (65MM)		1 PC
I	JCBC SCREW M6 x 15MM		20 PCS

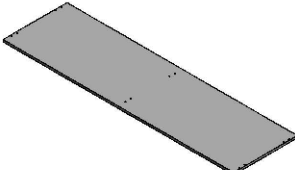
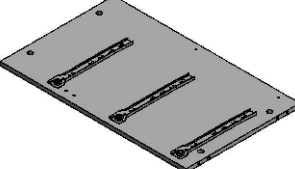
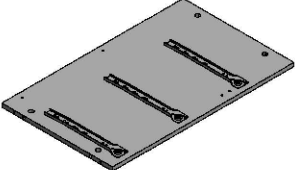
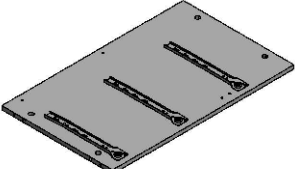
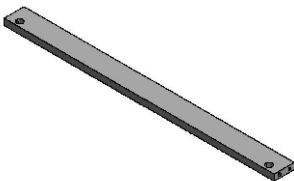
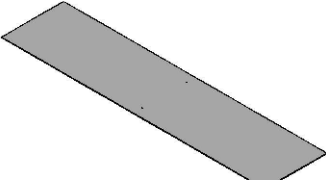
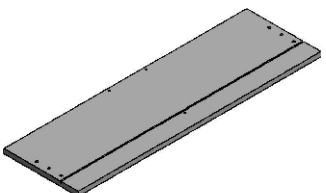
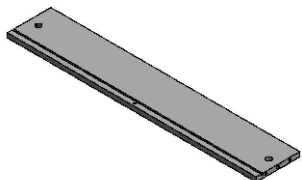
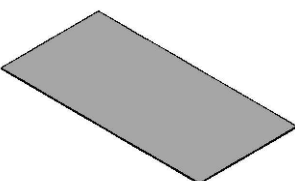
ASSEMBLY INSTRUCTION

HARDWARES LIST

ITEM	DESCRIPTION	DRAWING	QTY
J	TIPPING RESTRAINT		1 PC

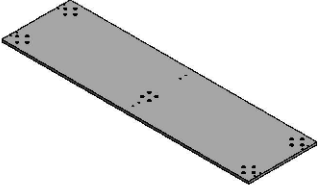
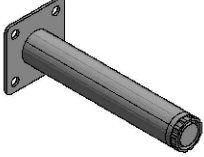
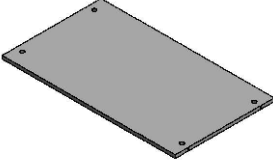
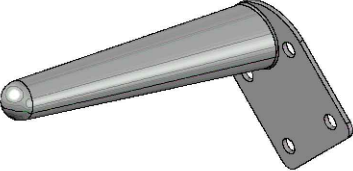
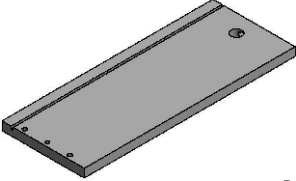
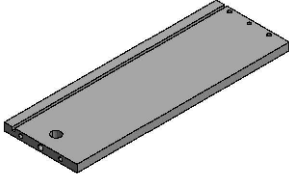
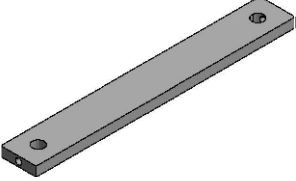
ASSEMBLY INSTRUCTION

PARTS LIST

ITEM	DESCRIPTION	DRAWING	QTY
D1	TOP PANEL		1 PC
D2	LEFT PANEL		1 PC
D3	RIGHT PANEL		1 PC
D4	CENTER PANEL		1 PC
D5	SUPPORT RAIL		2 PCS
D6	BACK PANEL		2 PCS
D7	DRAWER HEAD		6 PCS
D8	DRAWER BACK PANEL		6 PCS
D9	DRAWER BOTTOM PANEL		6 PCS

ASSEMBLY INSTRUCTION

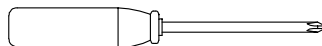
PARTS LIST

ITEM	DESCRIPTION	DRAWING	QTY
D10	BOTTOM PANEL		1 PC
D11	CENTER LEG		1 PC
D12	TIPPING PANEL (25mm)		2 PCS
18	METAL LEG		4 PCS
19	DRAWER LEFT PANEL		6 PCS
20	DRAWER RIGHT PANEL		6 PCS
21	DRAWER BOTTOM SUPPORT RAIL		6 PCS

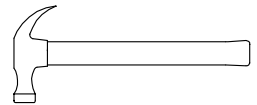
*Note: All parts needed are shown in above picture.
Numbers only indicate the specific parts for easy assembly.

ASSEMBLY TOOLS REQUIRED

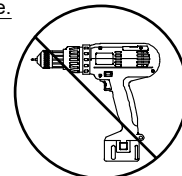
1. Screwdriver (not provide)



2. Hammer (not provide)

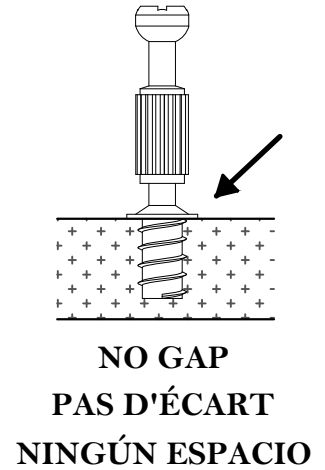
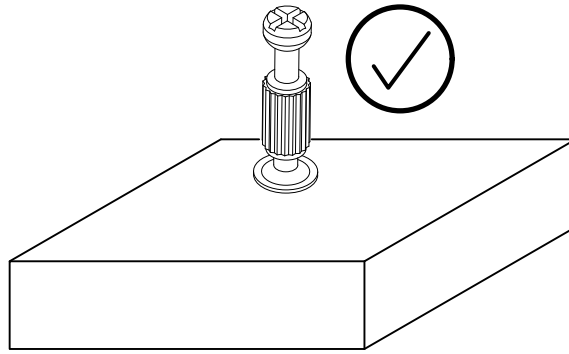
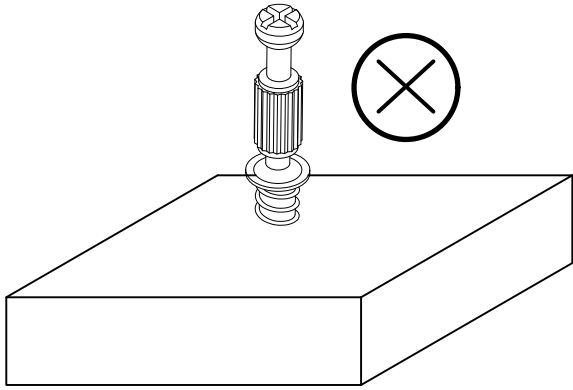


3. Skip the power trip this time.

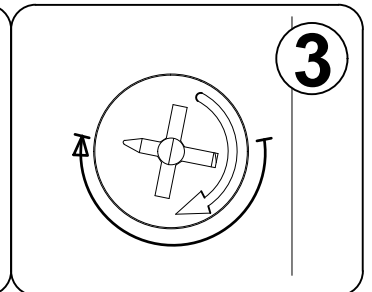
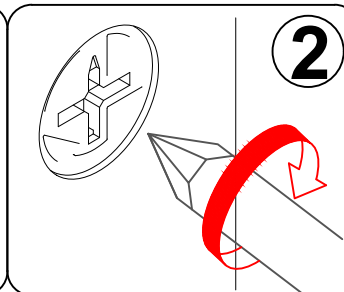
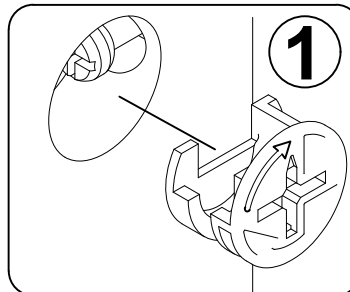
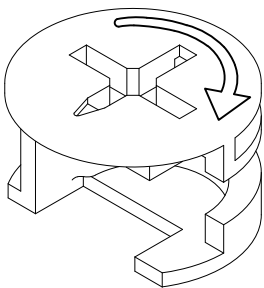


THINGS TO REMEMBER FOR ASSEMBLY
CHOSSES À SE SOUVENIR POUR UNE ASSEMBLEE
COSAS PARA RECORDAR EN UNA ASAMBLEA

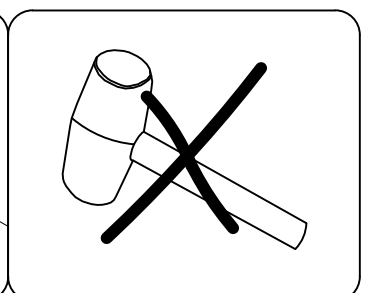
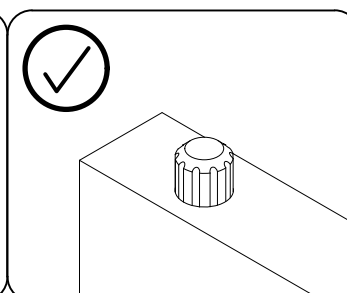
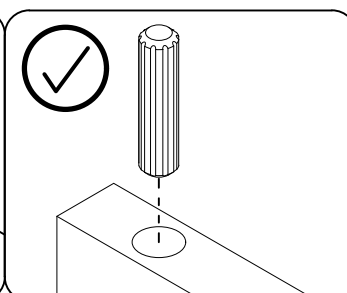
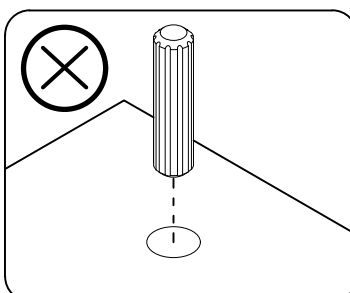
MINIFIX BOLT
BOULON MINIFIX
PERNO MINIFIX



MINIFIX CAM
CAMERA MINIFIX
CÁMARA MINIFIX

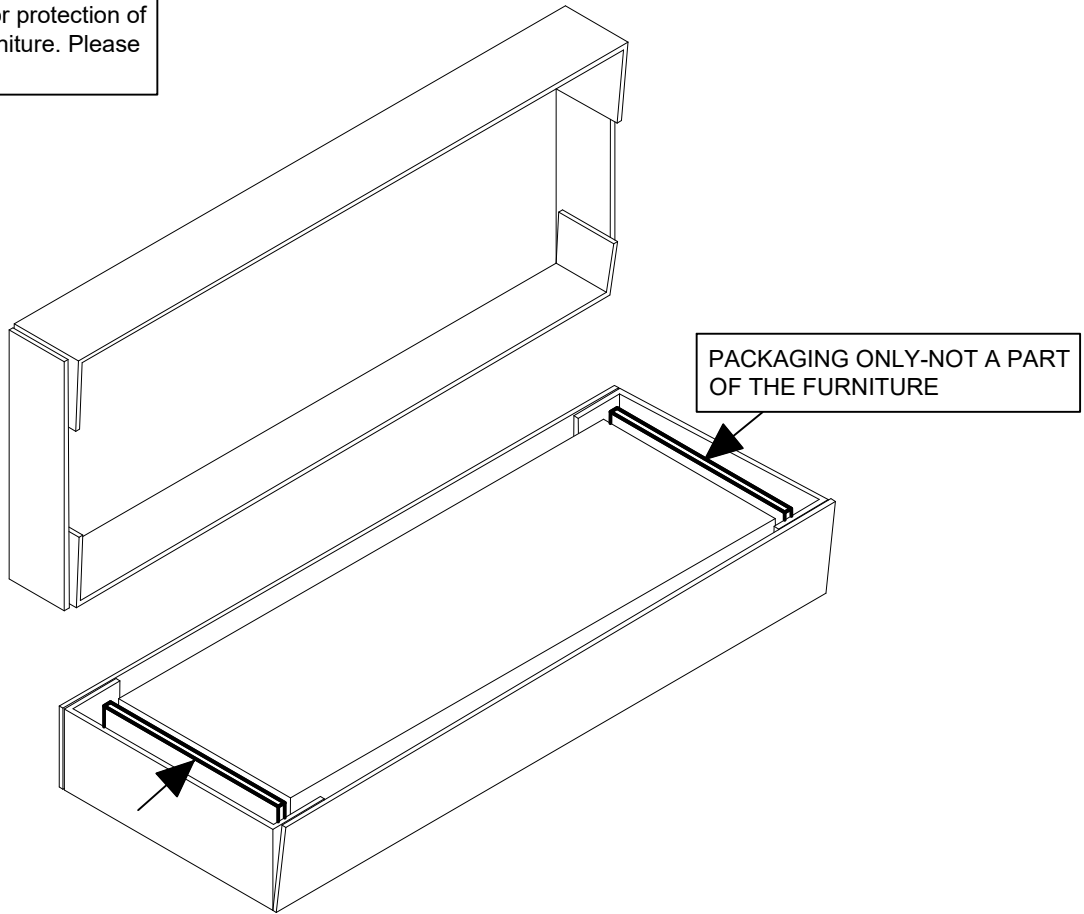


WOOD DOWEL
CHEVILLE BOIS
PASADOR DE MADERA

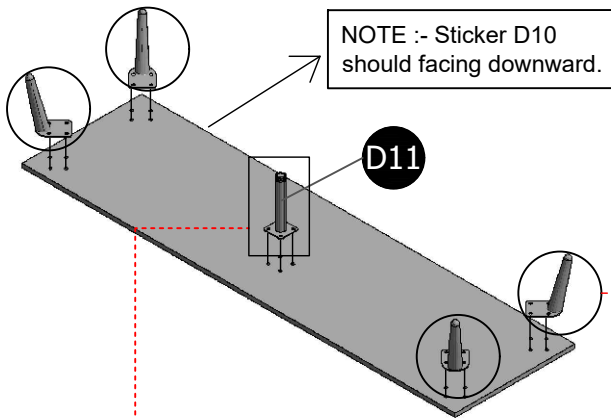


ASSEMBLY INSTRUCTION

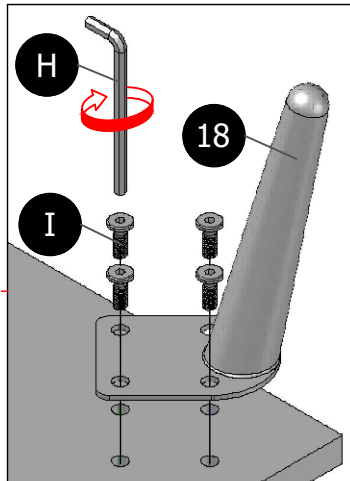
NOTE : - The outer board is for protection of packaging only, not part of furniture. Please throw it before assembly.



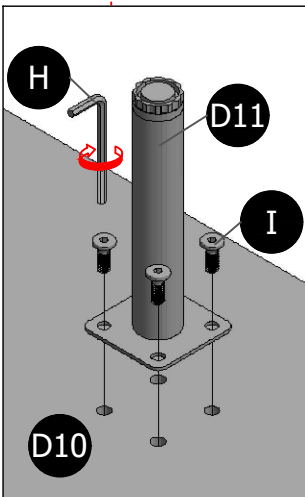
STEP 1



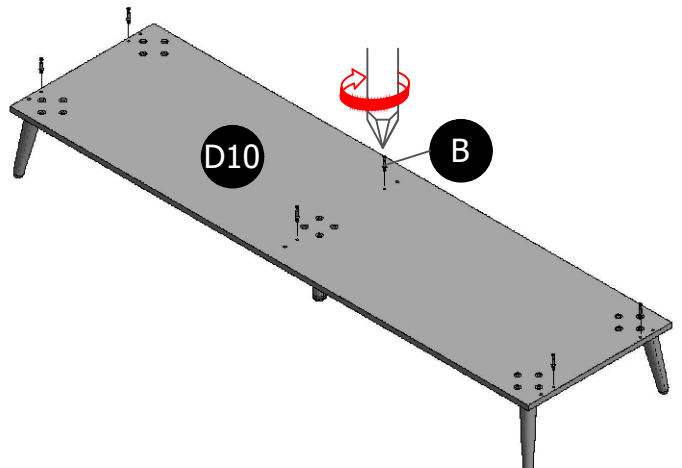
STEP 1.2



STEP 1.1

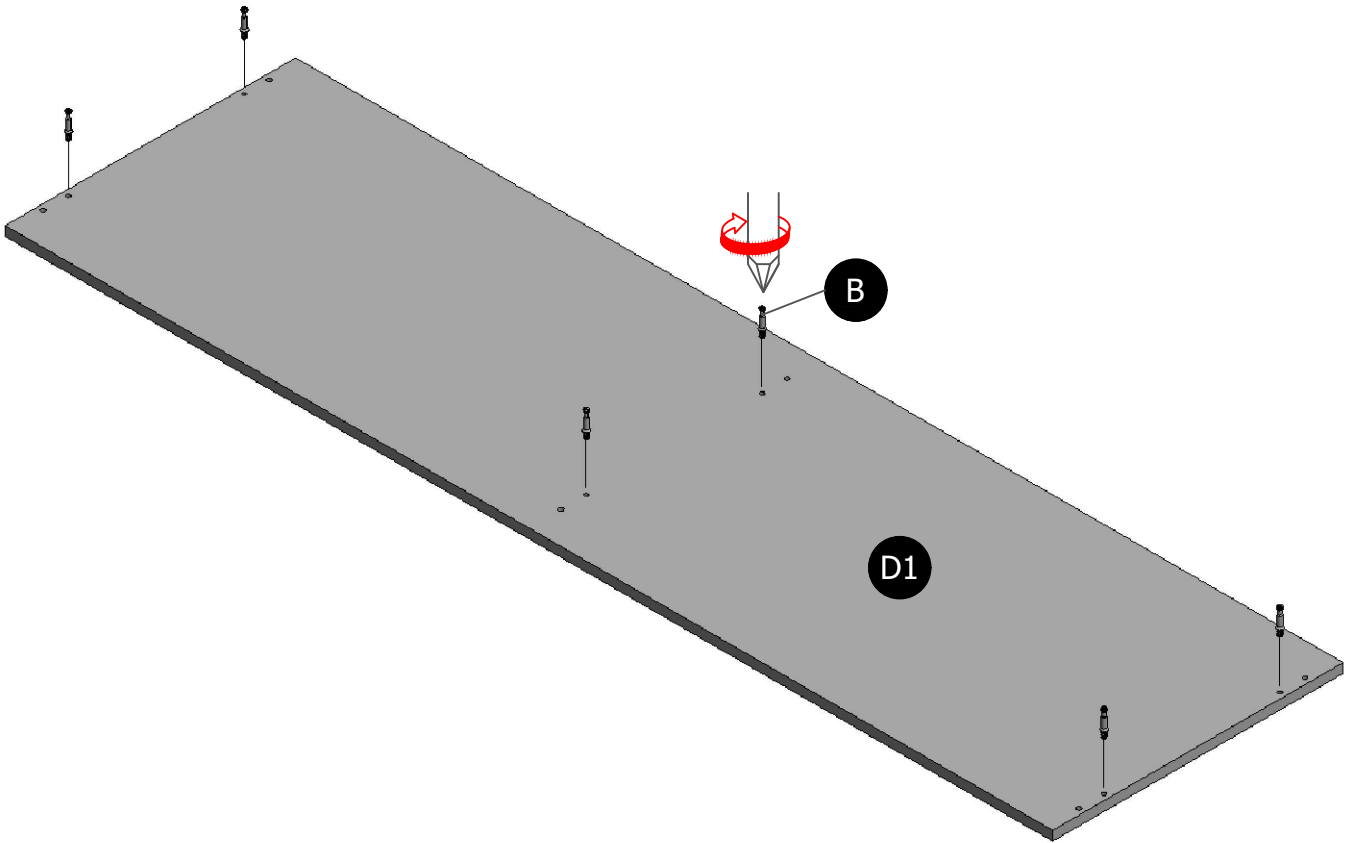


TURN AROUND



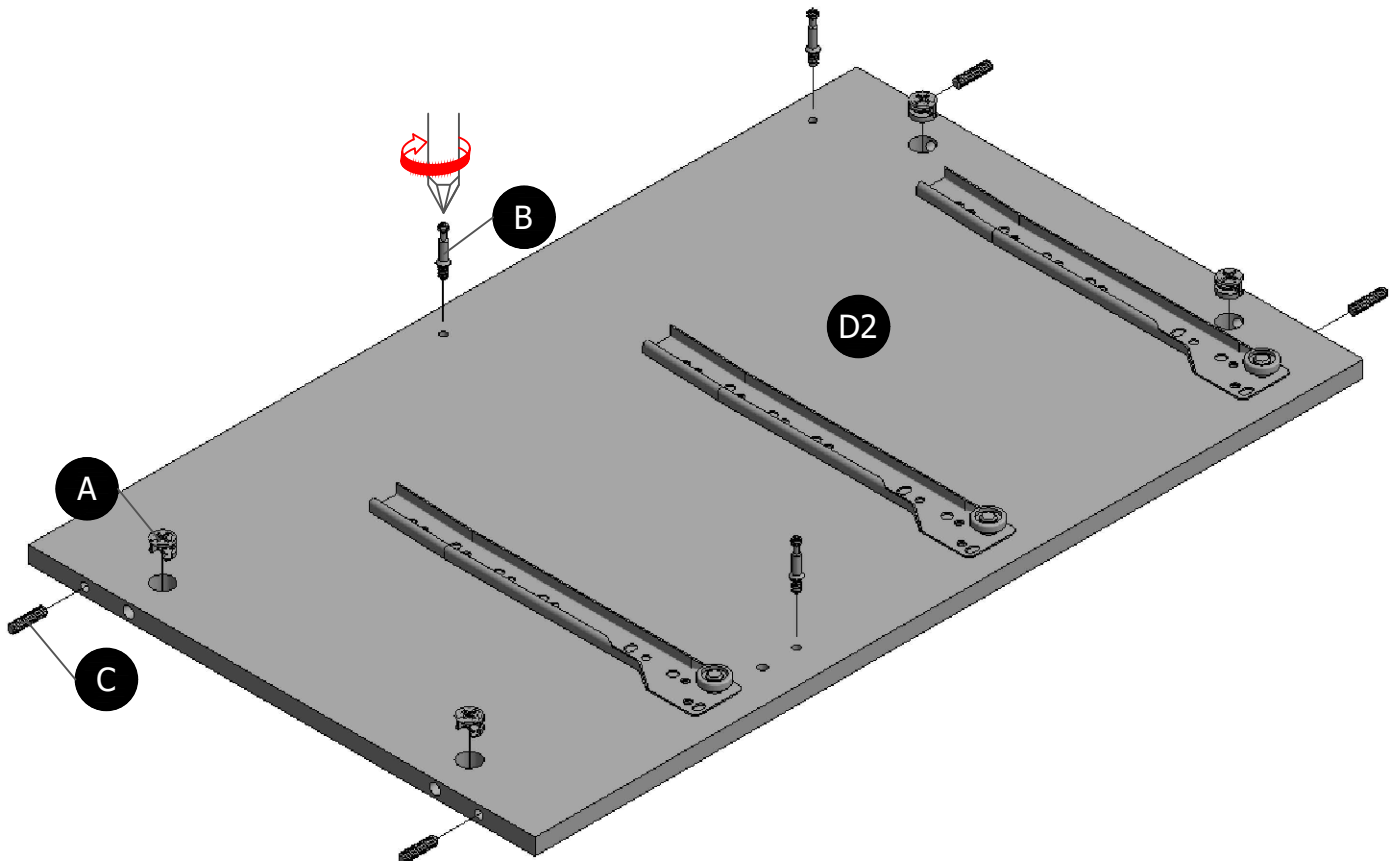
ASSEMBLY INSTRUCTION

STEP 2



STEP 3

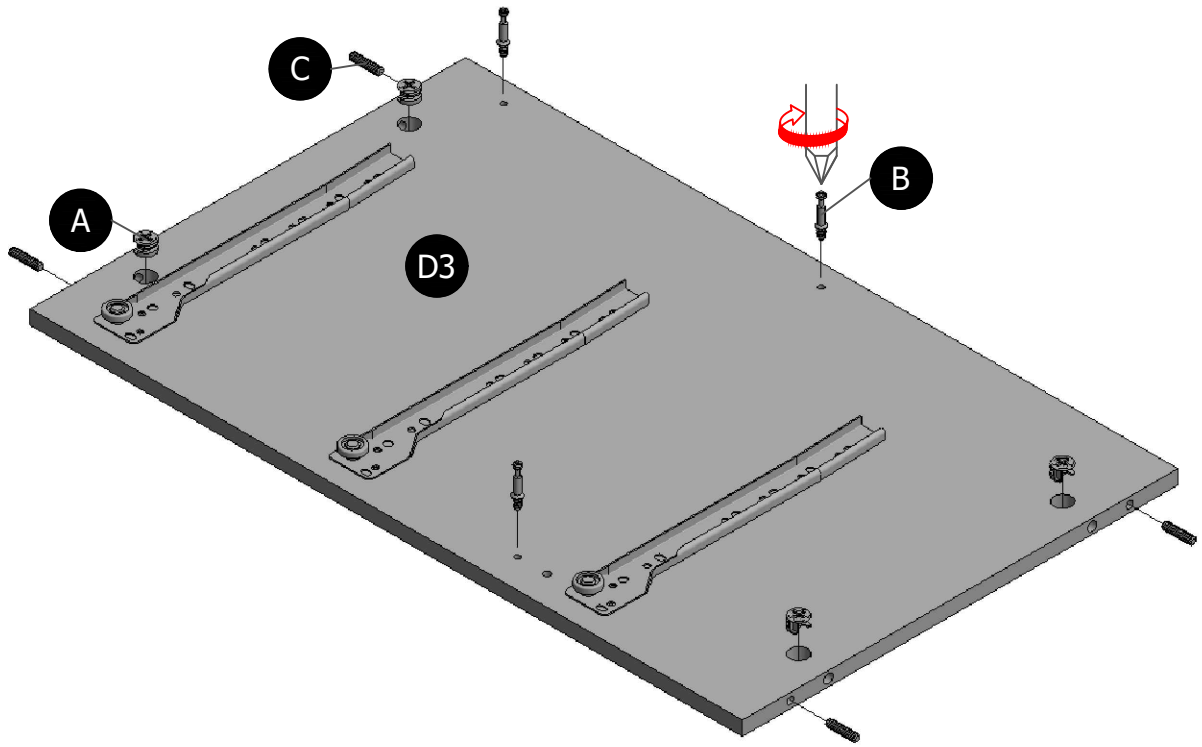
NOTE : - Make sure arrows on each (A) point towards nearest edge with hole.



ASSEMBLY INSTRUCTION

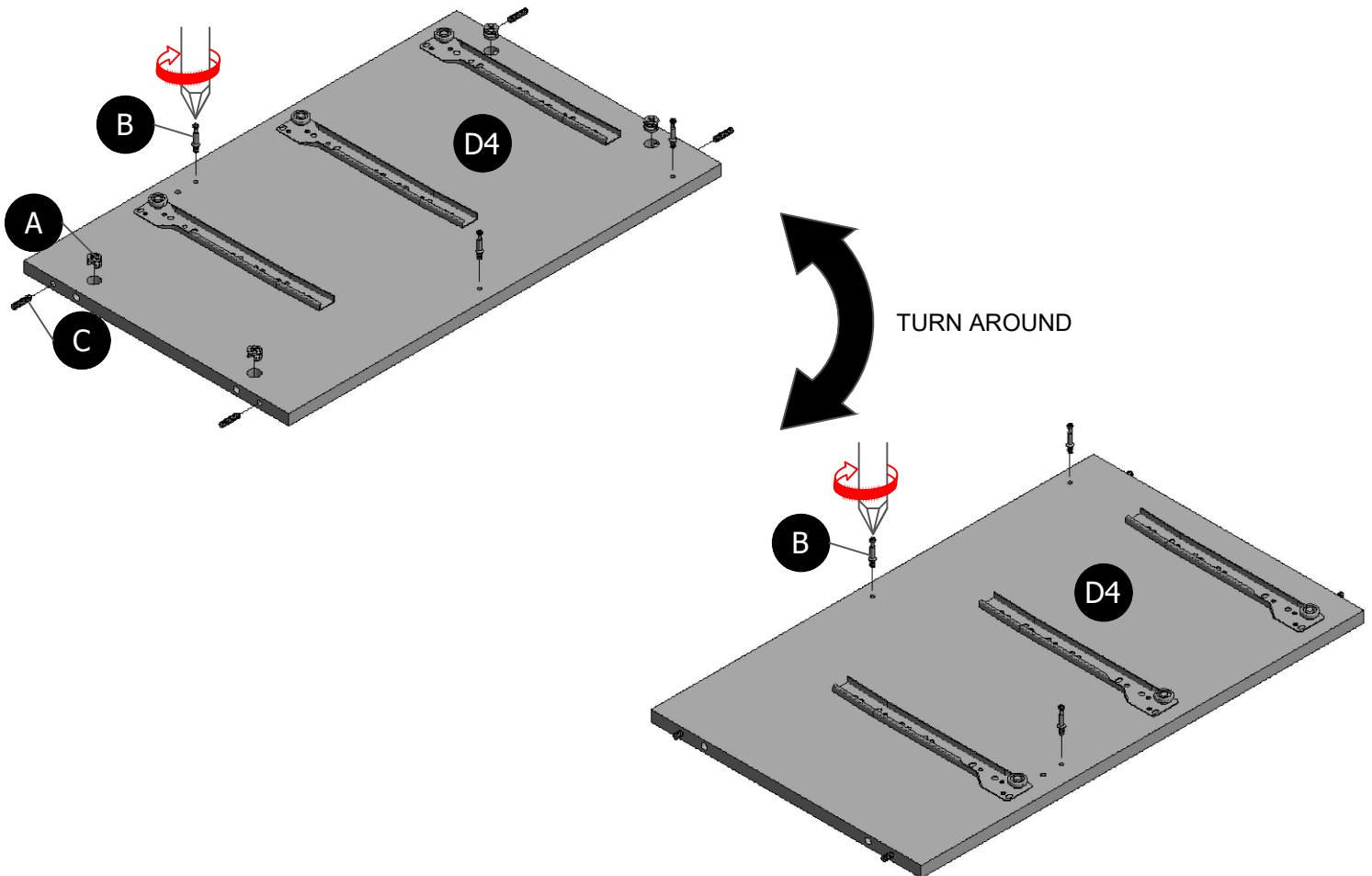
STEP 4

NOTE : - Make sure arrows on each (A) point towards nearest edge with hole.



STEP 5

NOTE : - Make sure arrows on each (A) point towards nearest edge with hole.

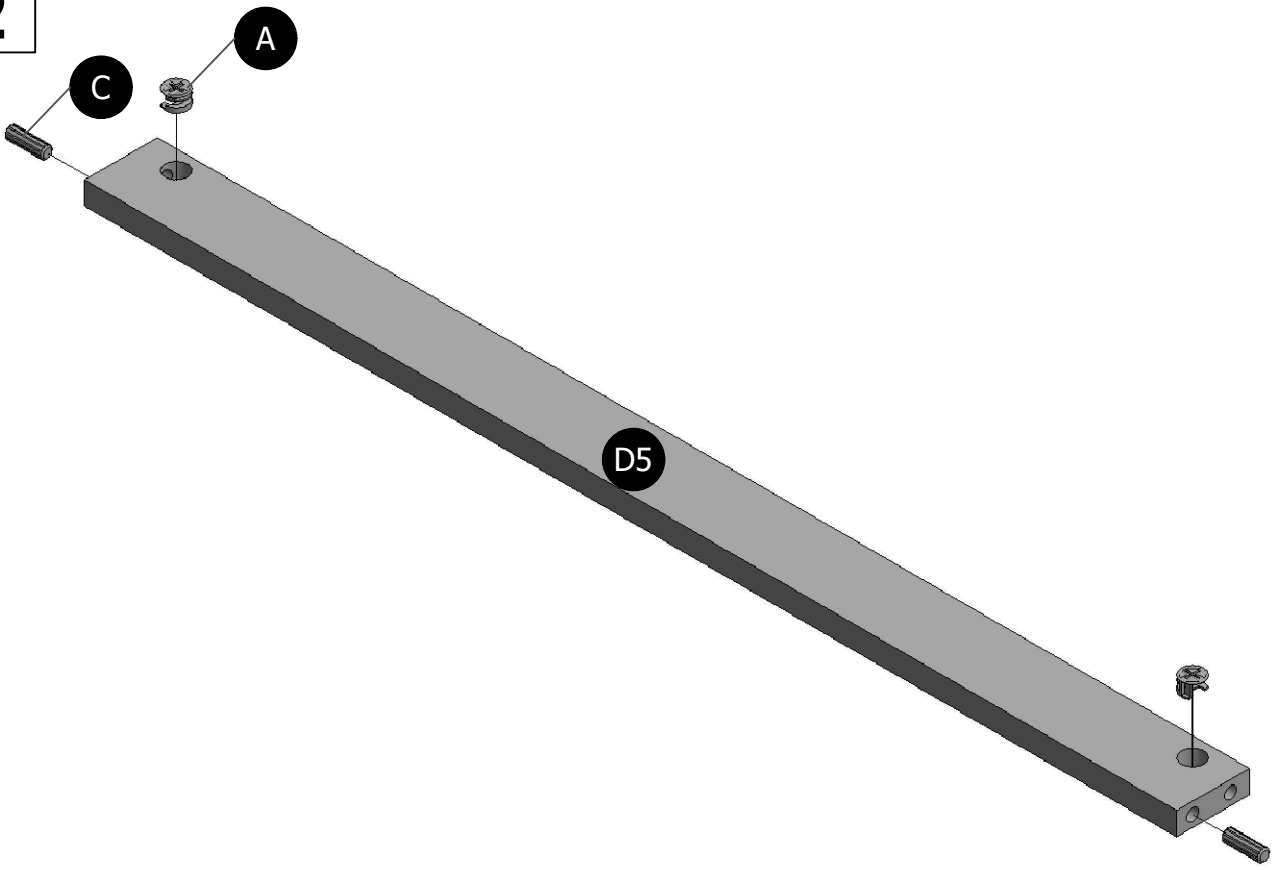


ASSEMBLY INSTRUCTION

STEP 6

NOTE : - Make sure arrows on each (A) point towards nearest edge with hole.

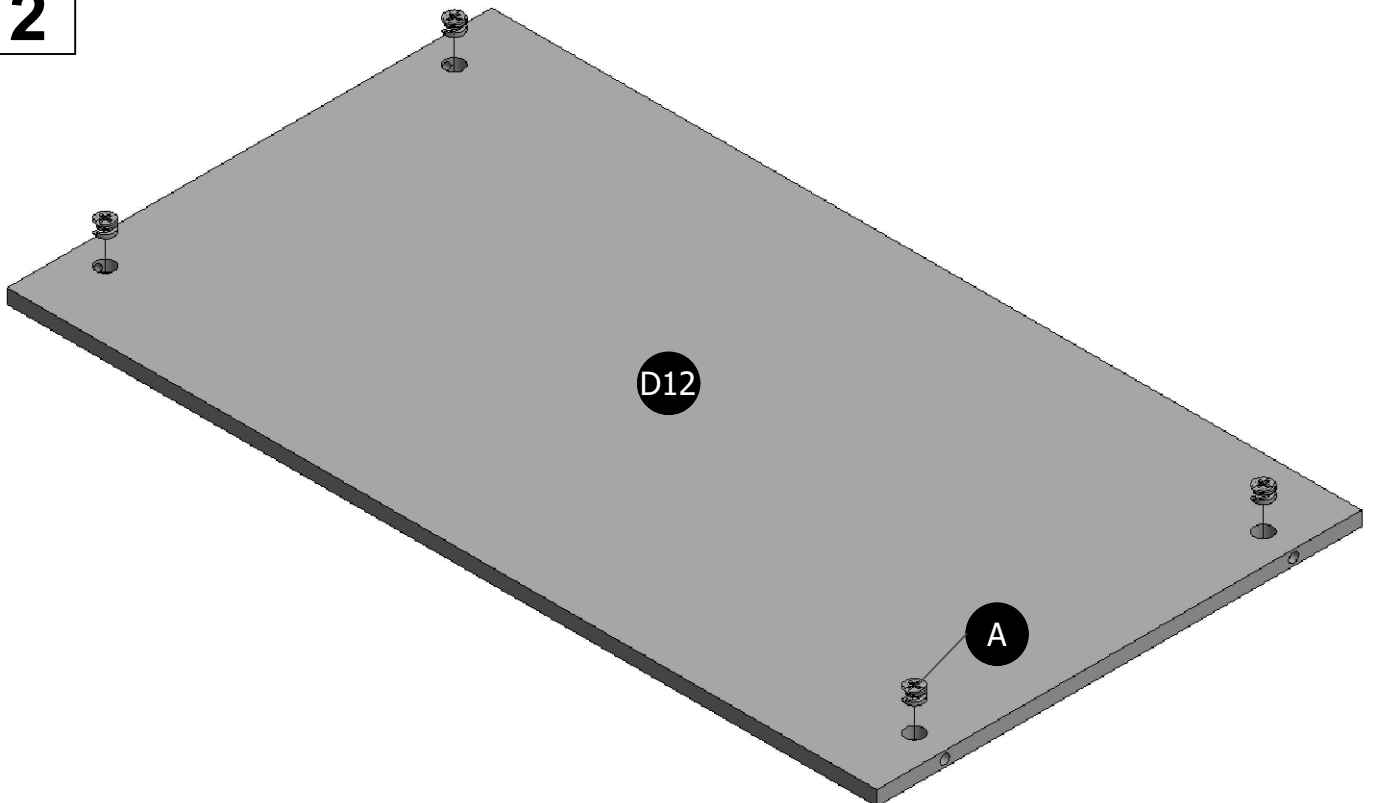
x 2



STEP 7

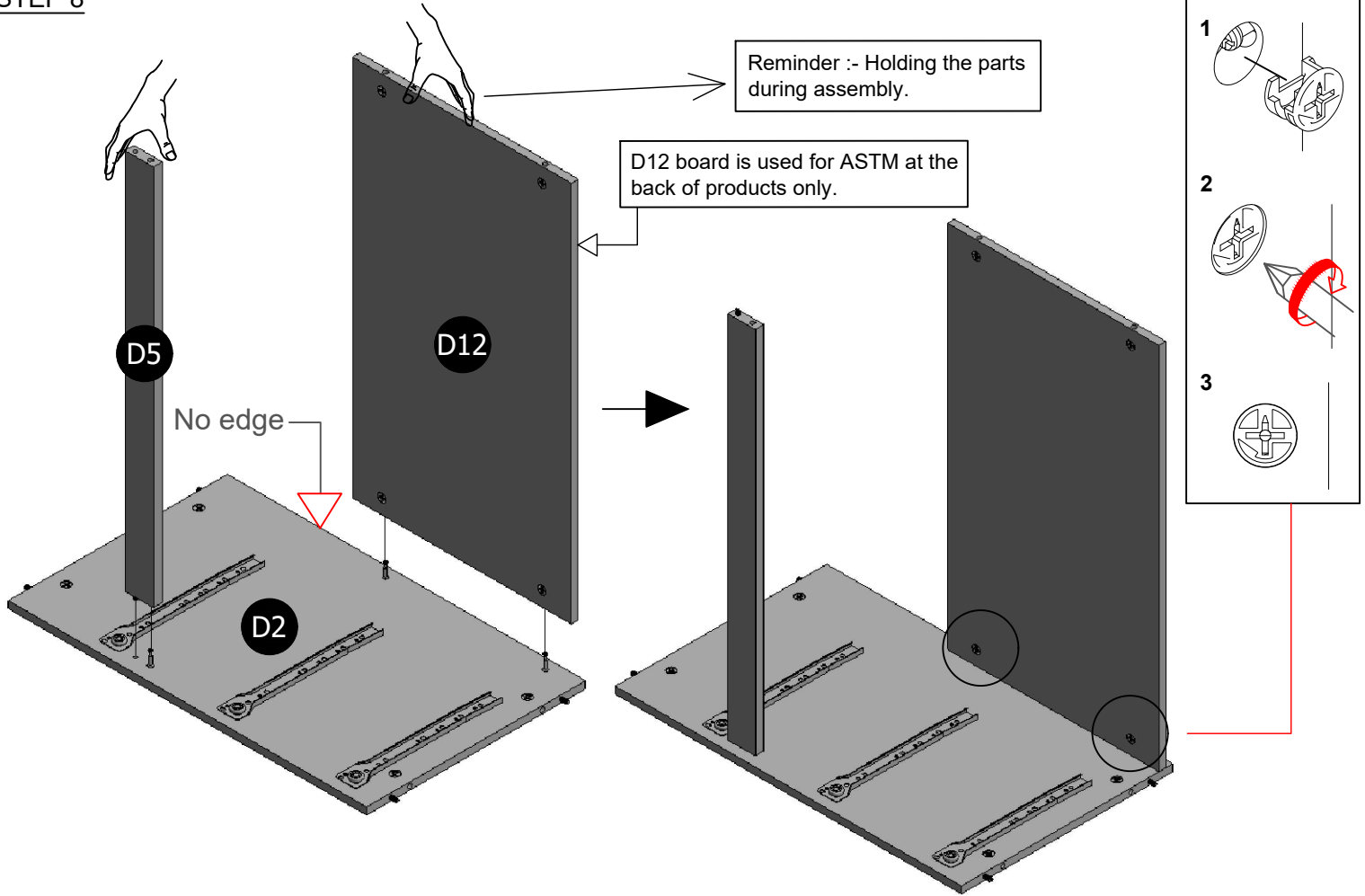
NOTE : - Make sure arrows on each (A) point towards nearest edge with hole.

x 2

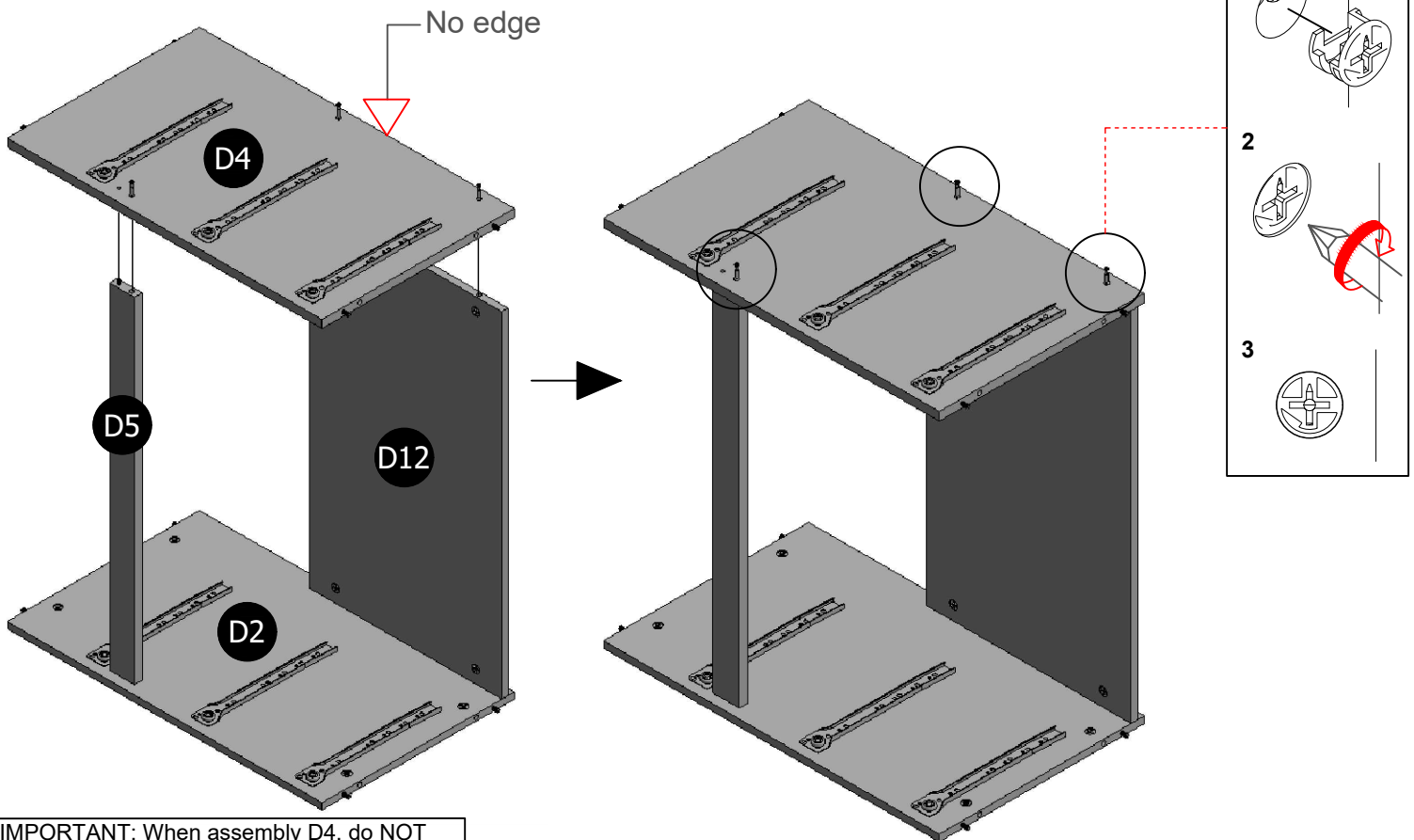


ASSEMBLY INSTRUCTION

STEP 8



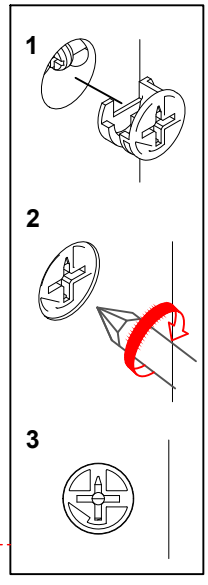
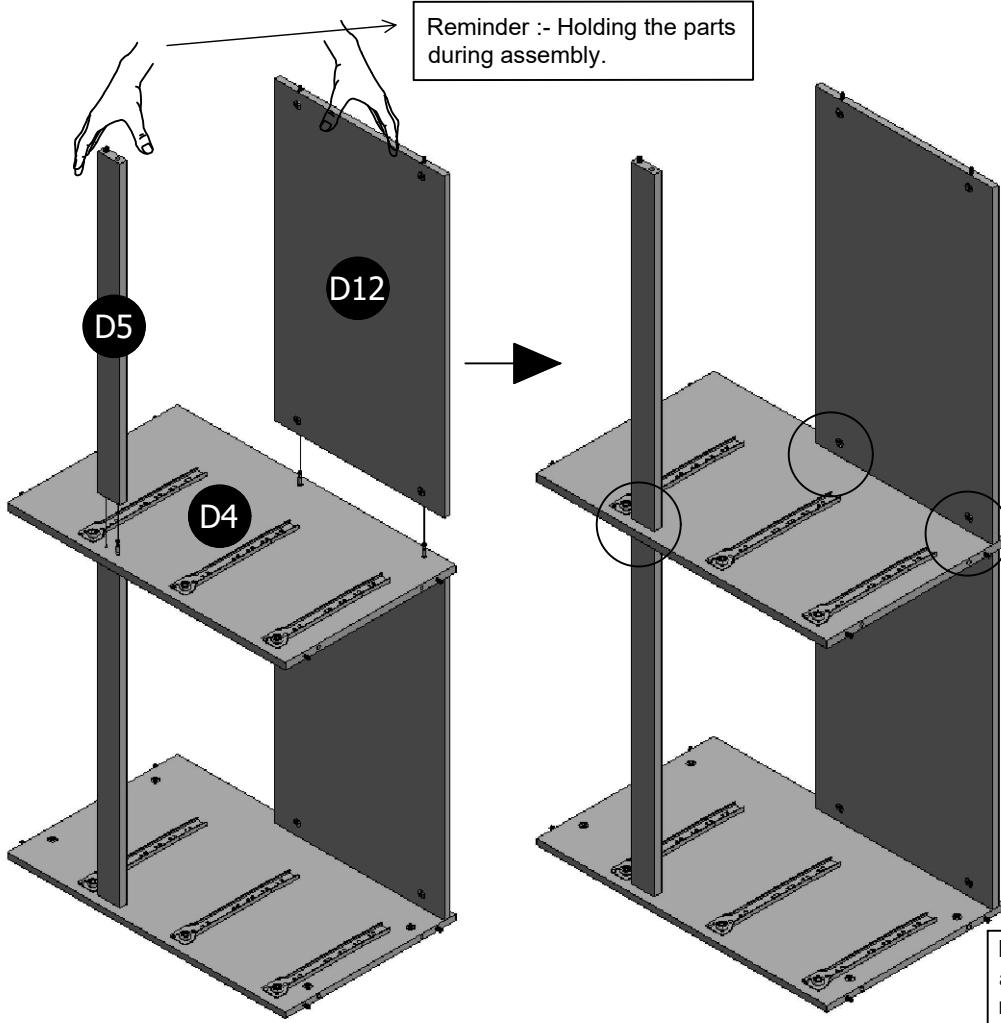
STEP 9



IMPORTANT; When assembly D4, do NOT apply force or move D5 and D12. Hold then in position until D4 is fully inserted and secured.

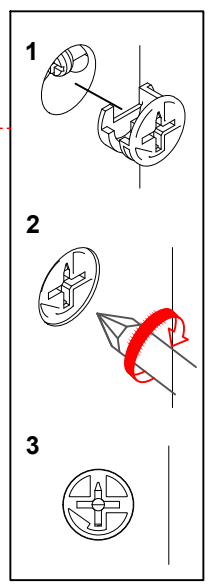
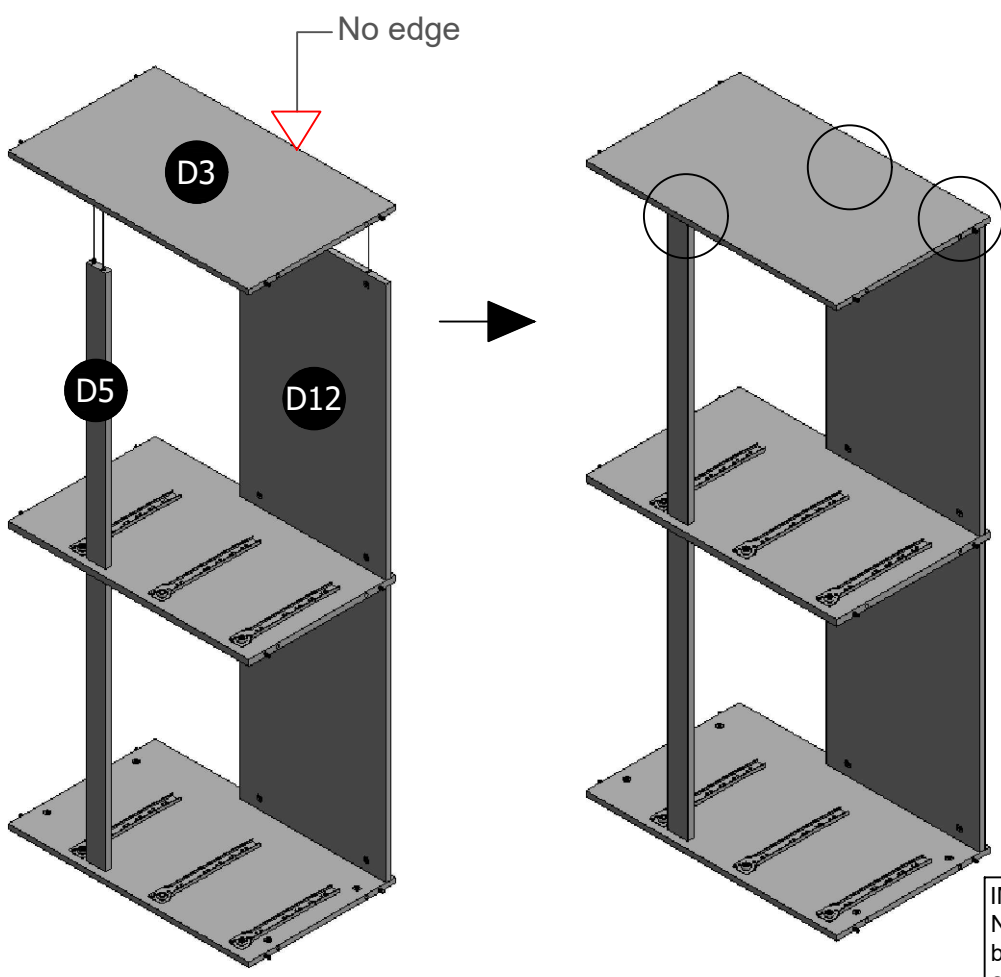
ASSEMBLY INSTRUCTION

STEP 10



IMPORTANT :- When assembly D12 and D5 in step 10, do NOT force or move D4. Hold them in position until D5 and D12 are secured.

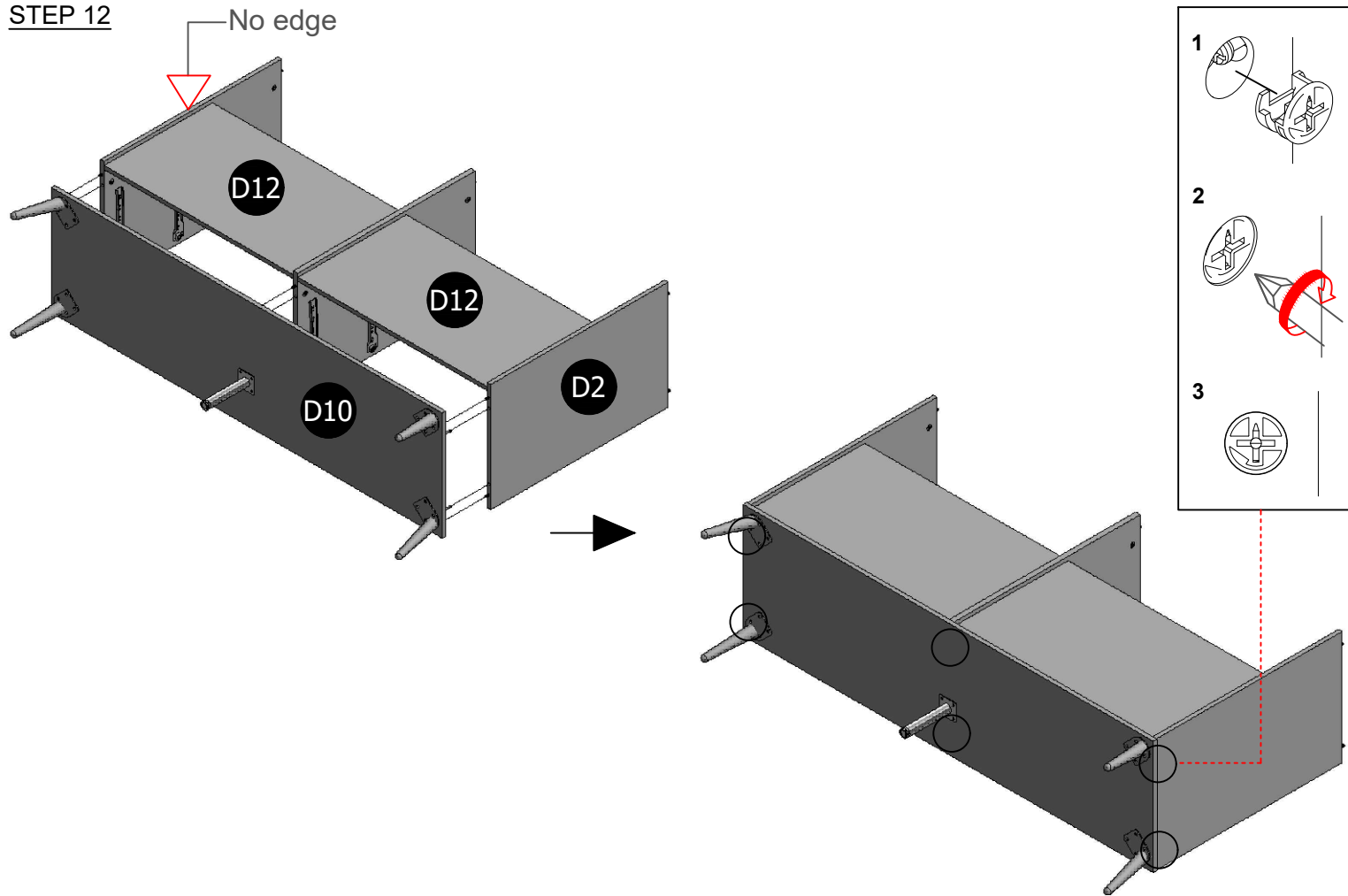
STEP 11



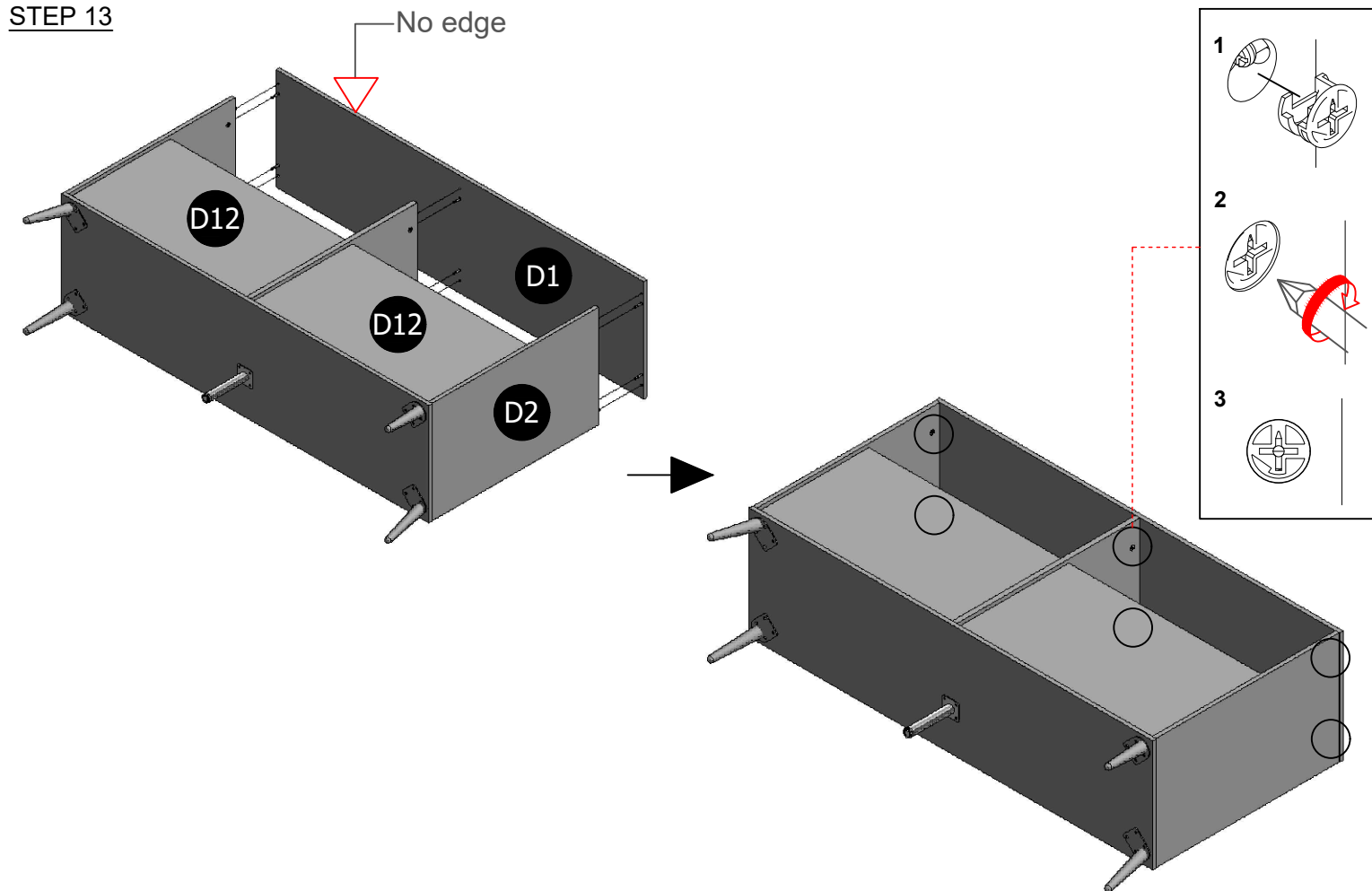
IMPORTANT: When installing D3, do NOT force or move D5 and D12. Keep both parts aligned until D3 is fully secured.

ASSEMBLY INSTRUCTION

STEP 12



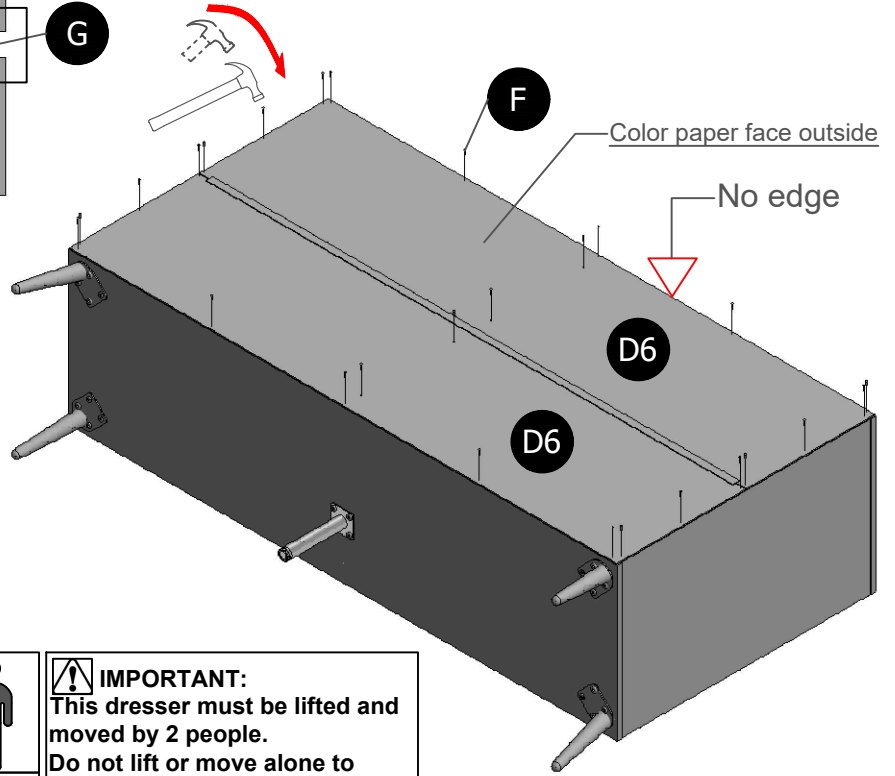
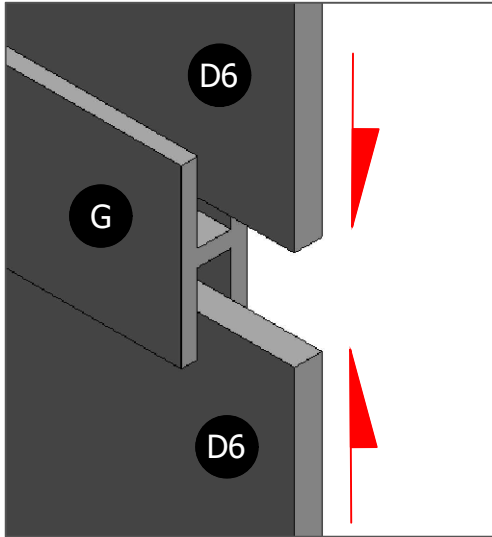
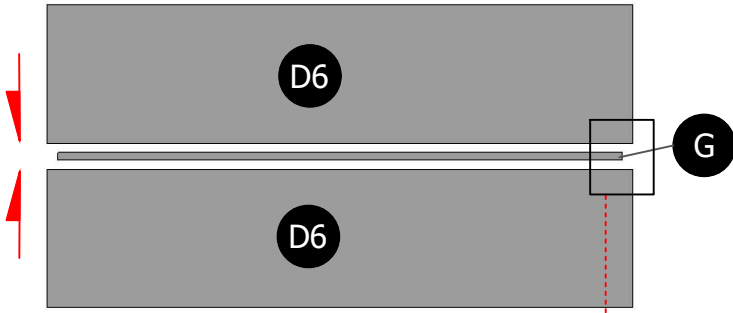
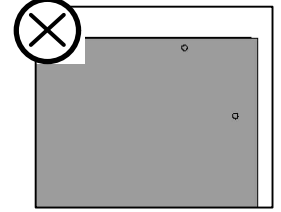
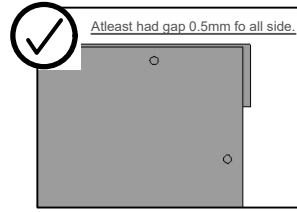
STEP 13



ASSEMBLY INSTRUCTION

STEP 14

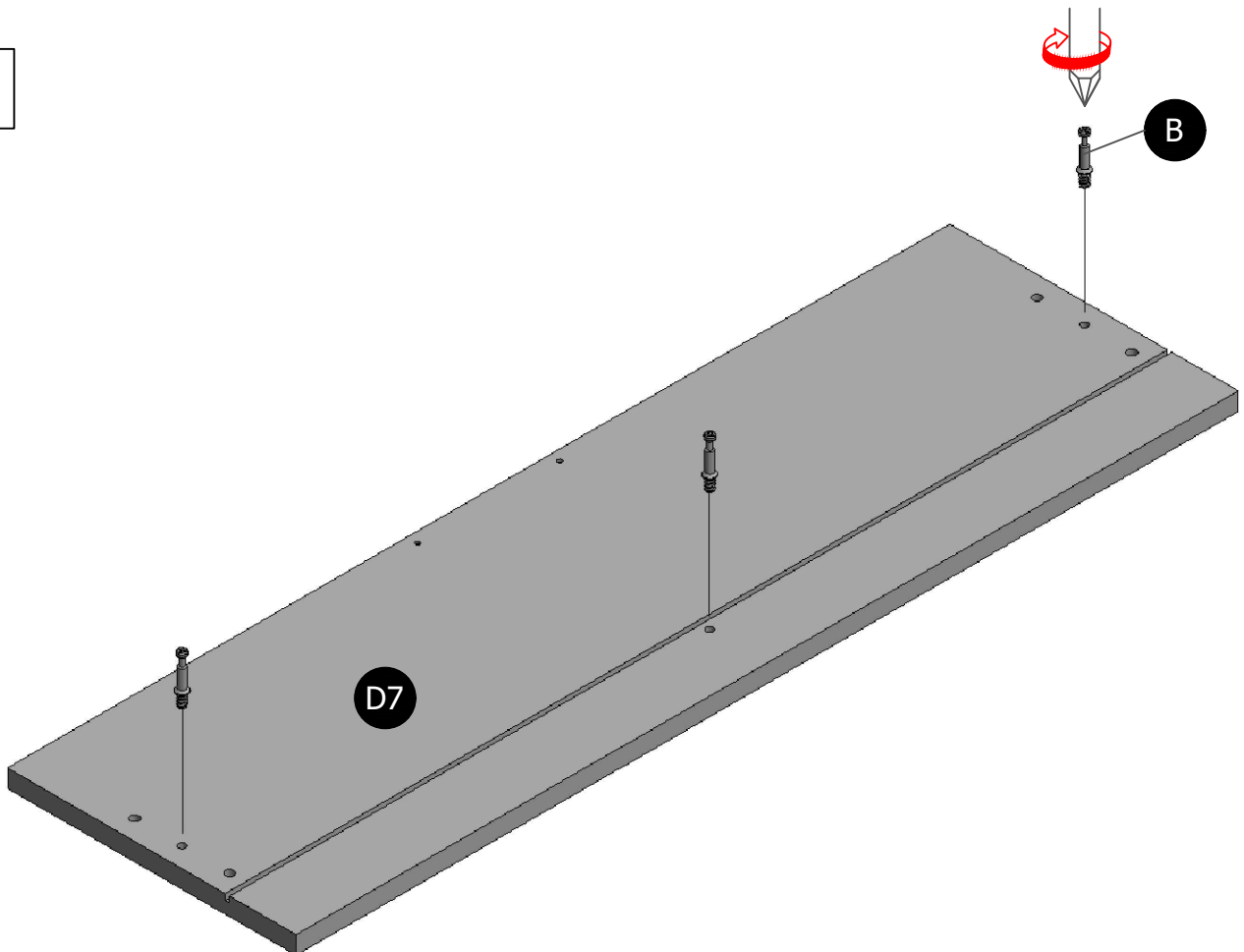
Side with color paper must be the same.



IMPORTANT:
This dresser must be lifted and moved by 2 people.
Do not lift or move alone to avoid injury or product damage.

STEP 15

x 6

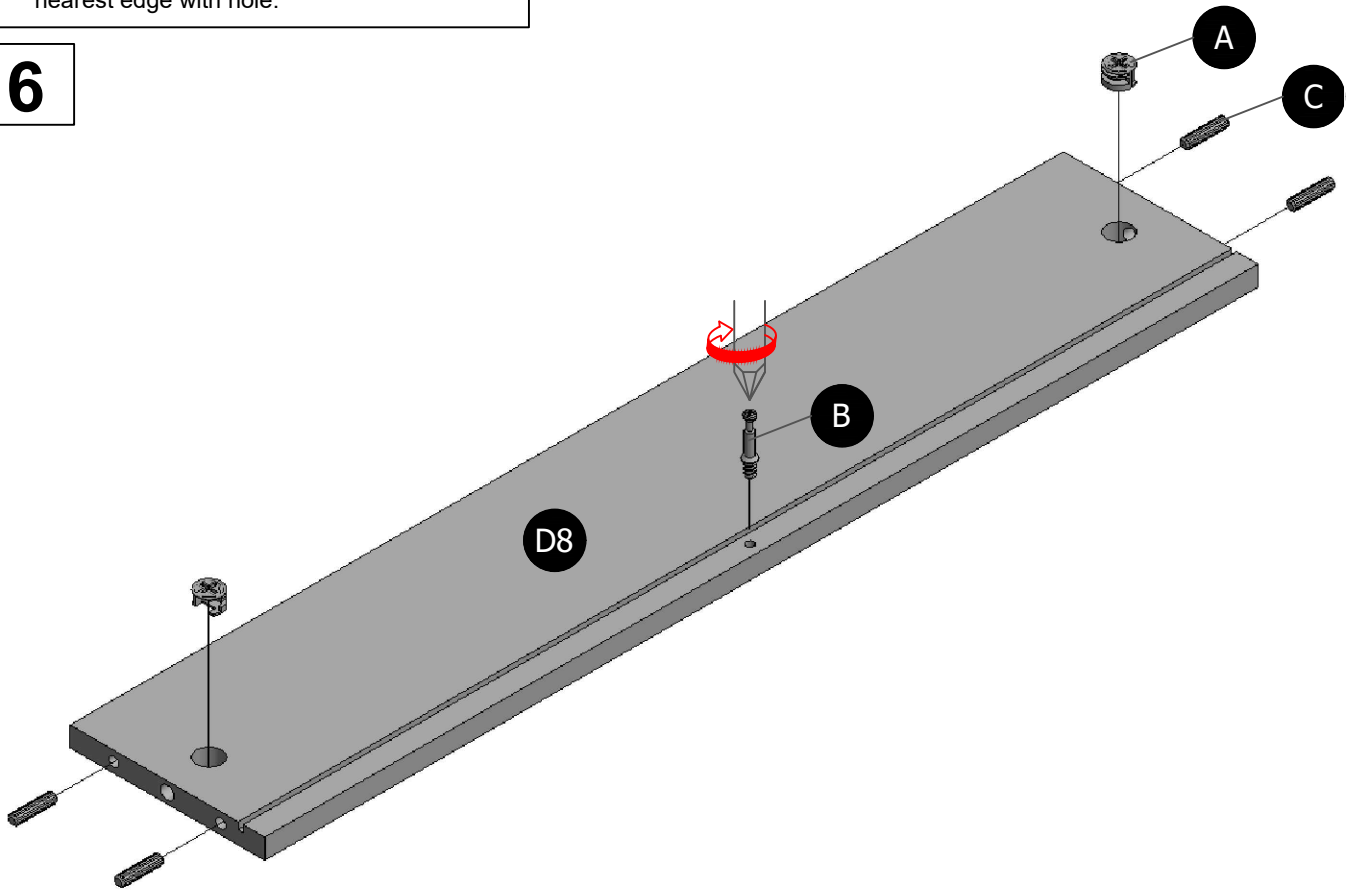


ASSEMBLY INSTRUCTION

STEP 16

NOTE : - Make sure arrows on each (A) point towards nearest edge with hole.

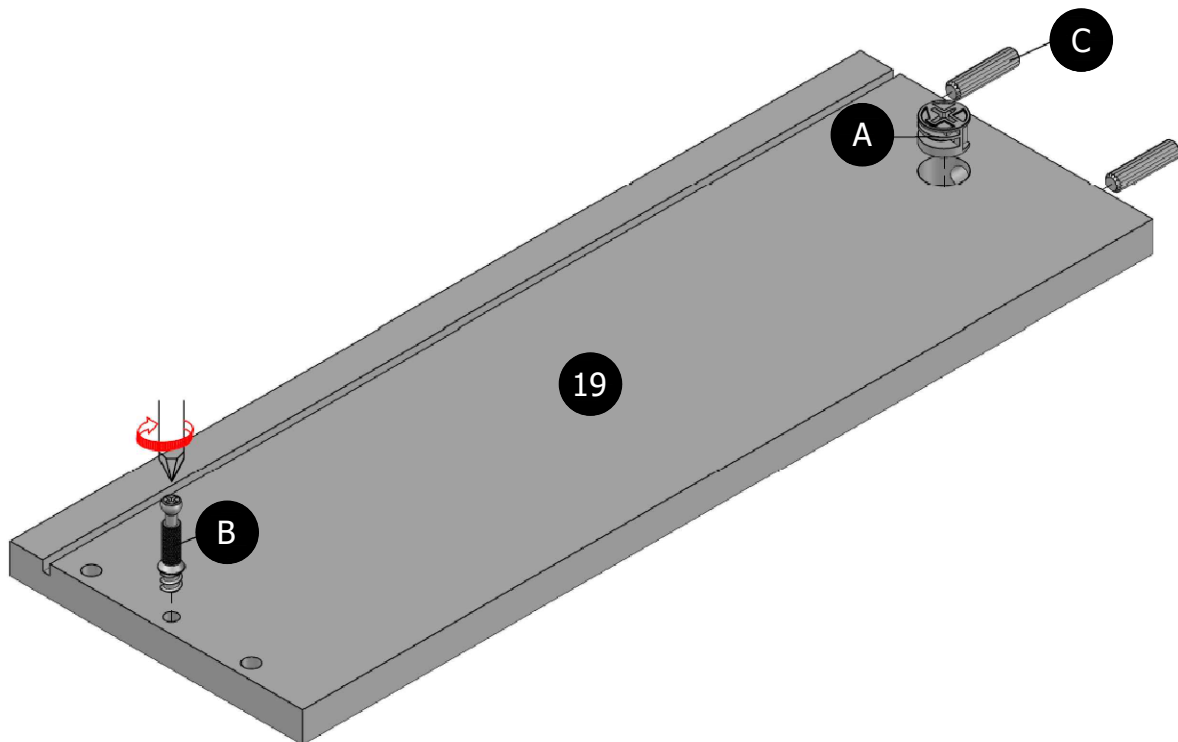
x 6



STEP 17

NOTE : - Make sure arrows on each (A) point towards nearest edge with hole.

x 6

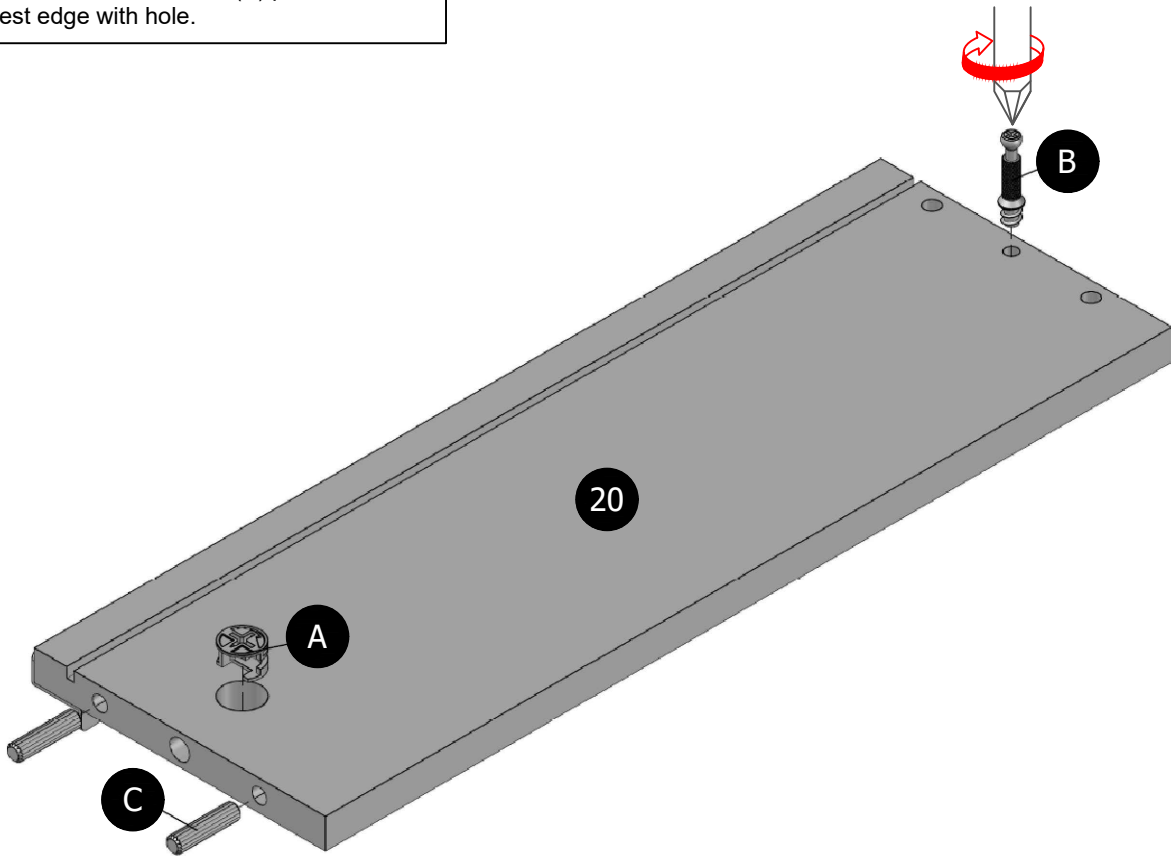


ASSEMBLY INSTRUCTION

STEP 18

NOTE : - Make sure arrows on each (A) point towards nearest edge with hole.

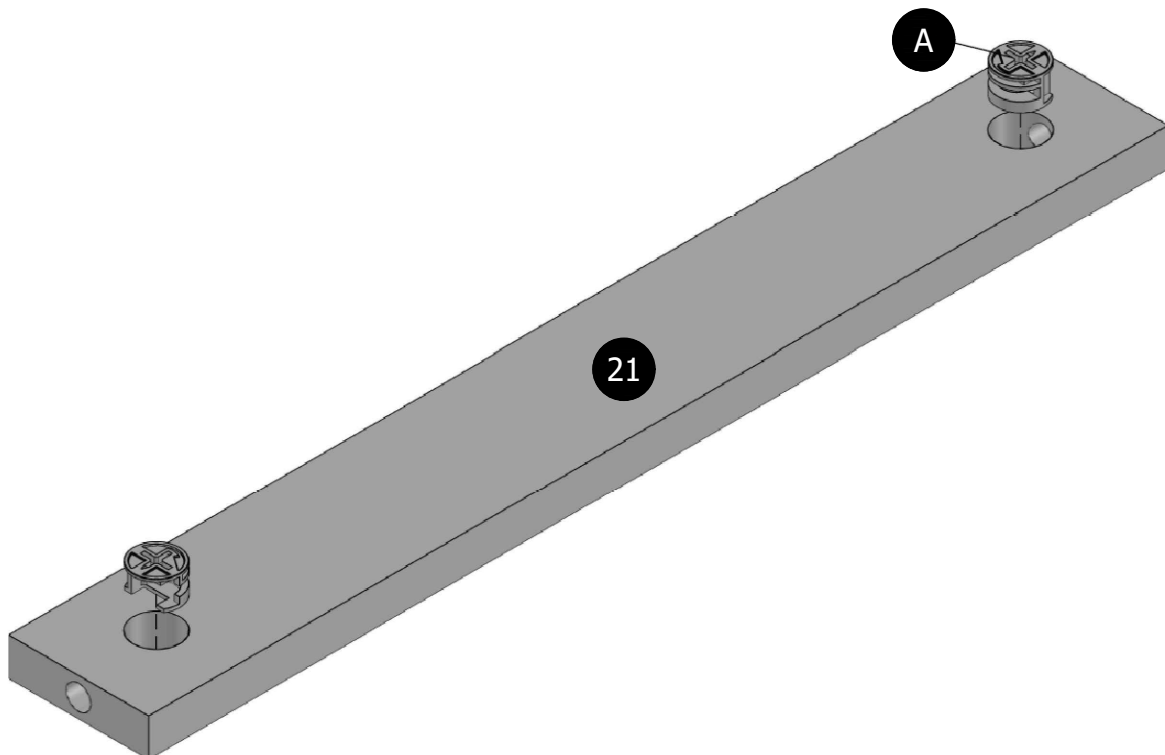
x 6



STEP 19

NOTE : - Make sure arrows on each (A) point towards nearest edge with hole.

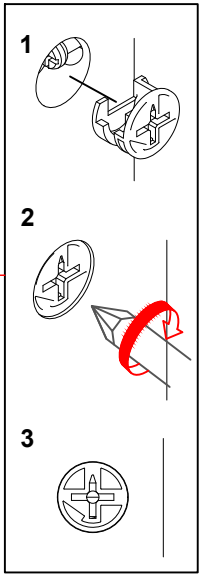
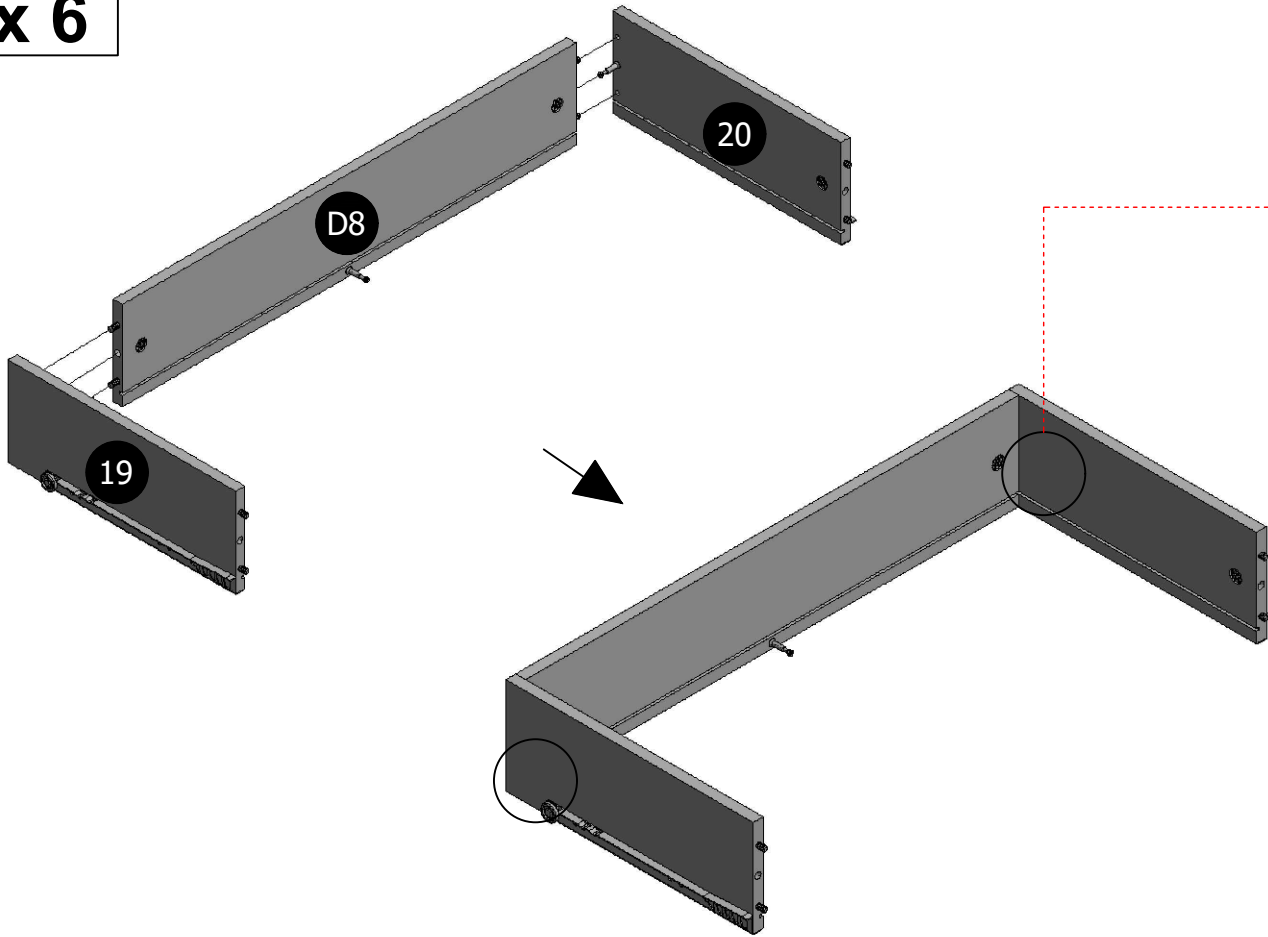
x 6



ASSEMBLY INSTRUCTION

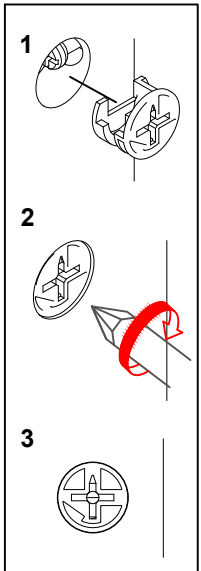
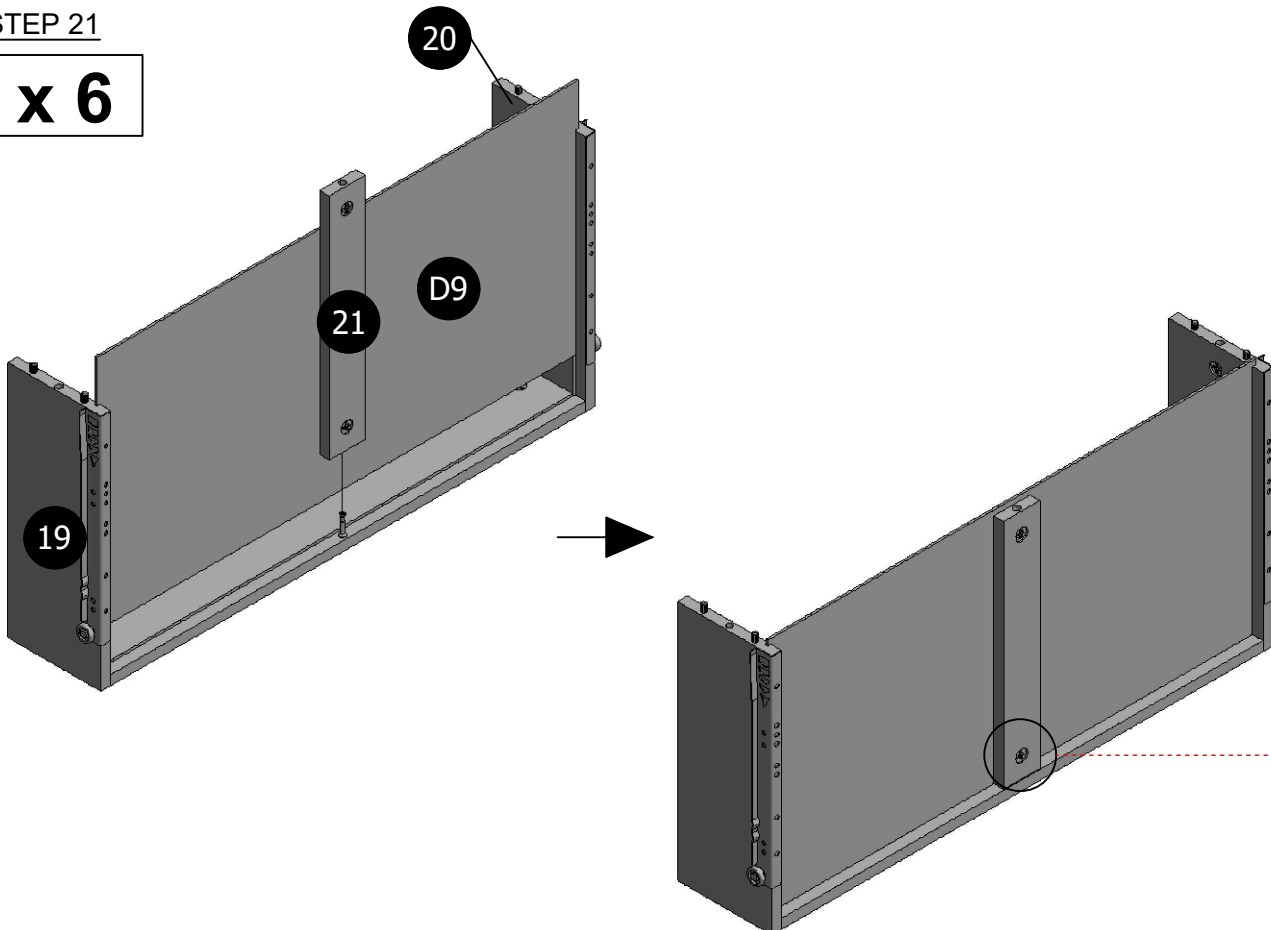
STEP 20

x 6



STEP 21

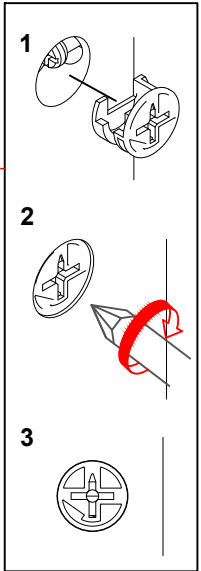
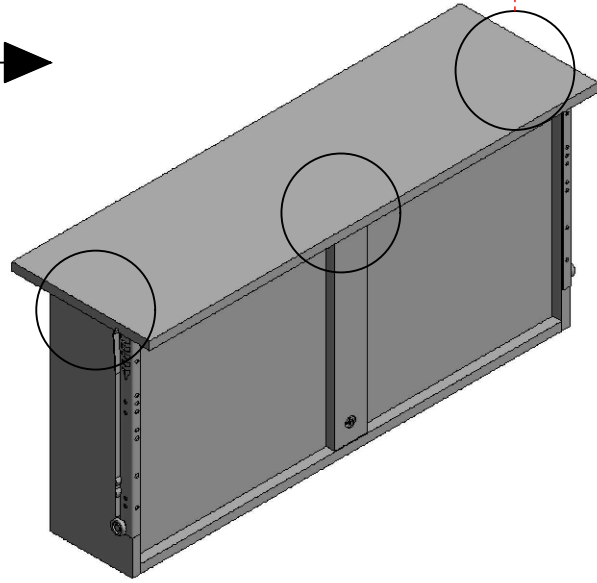
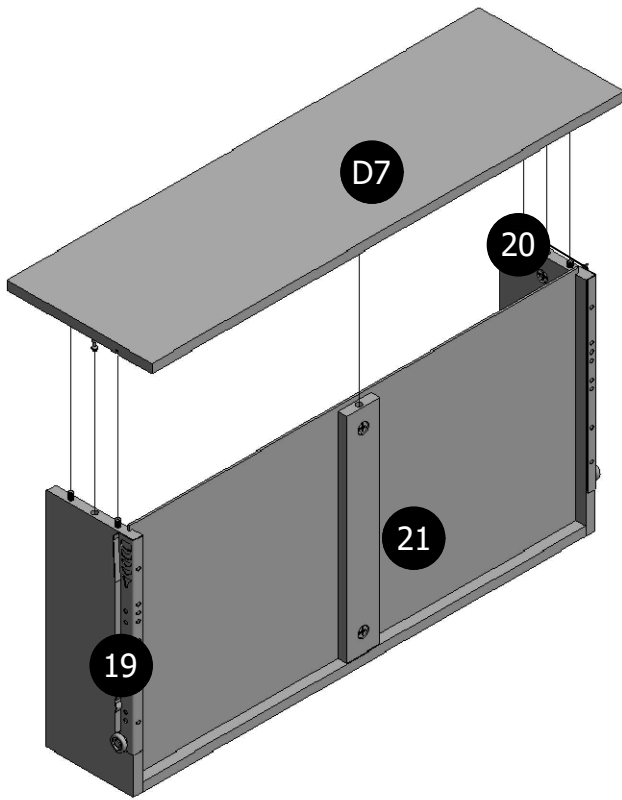
x 6



ASSEMBLY INSTRUCTION

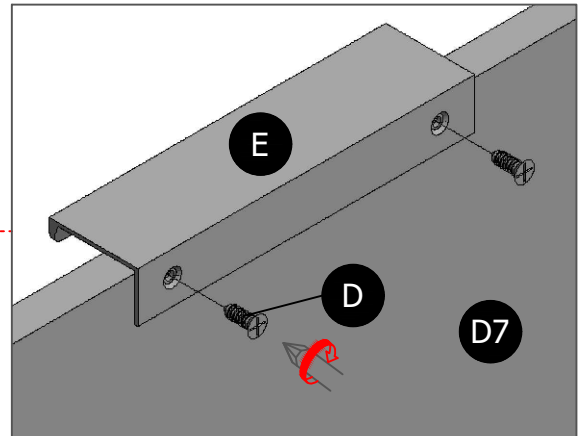
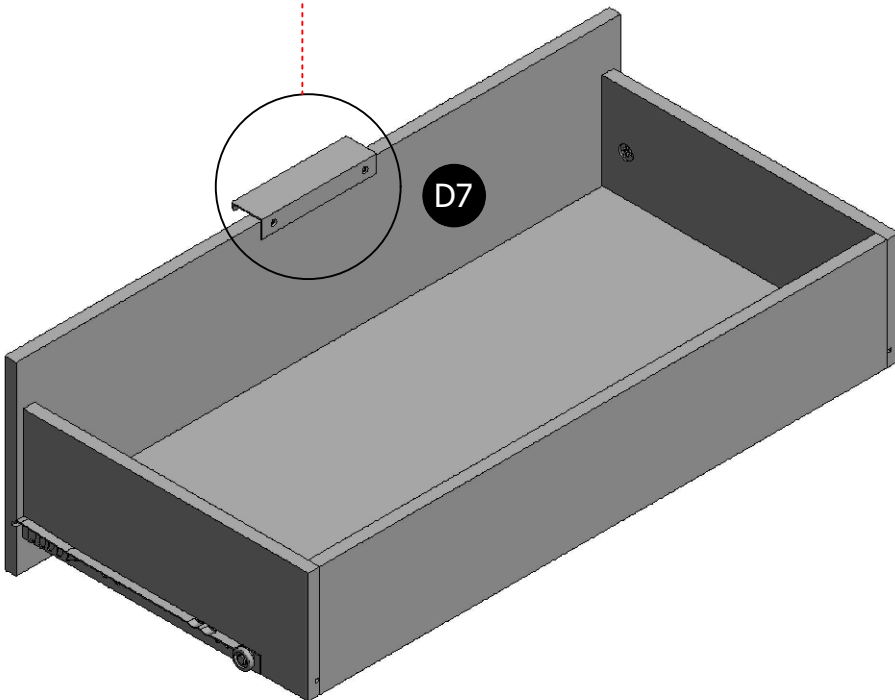
STEP 22

x 6



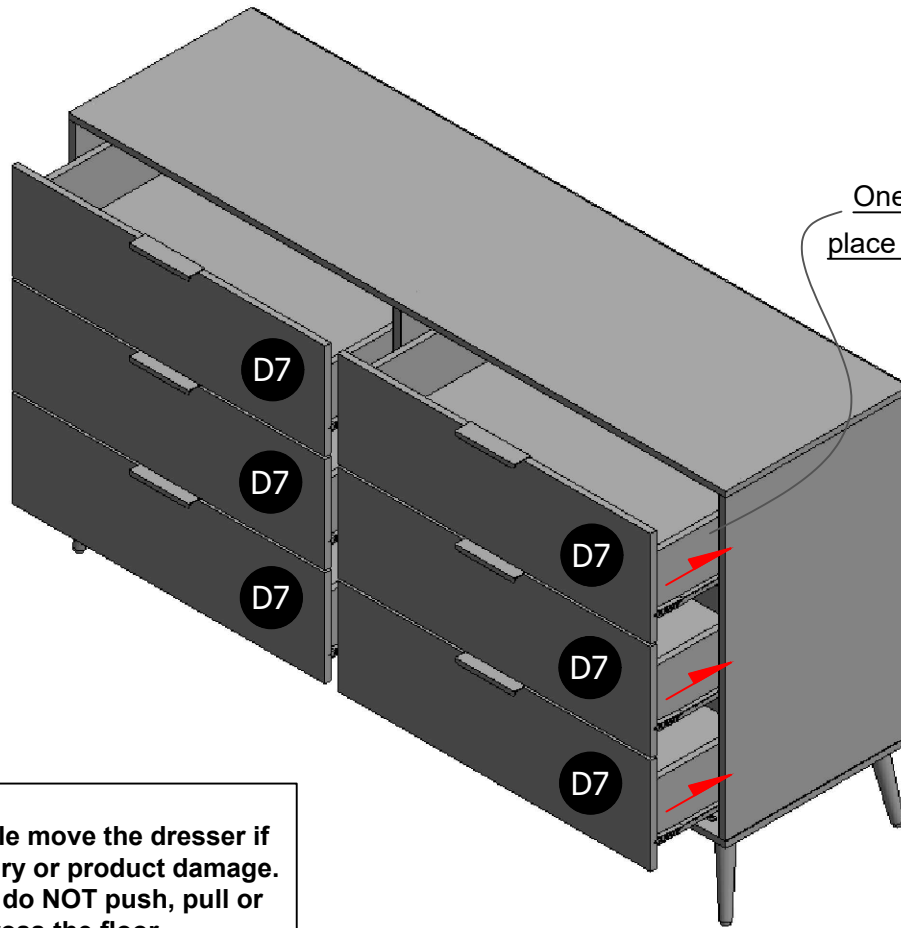
STEP 23

x 6



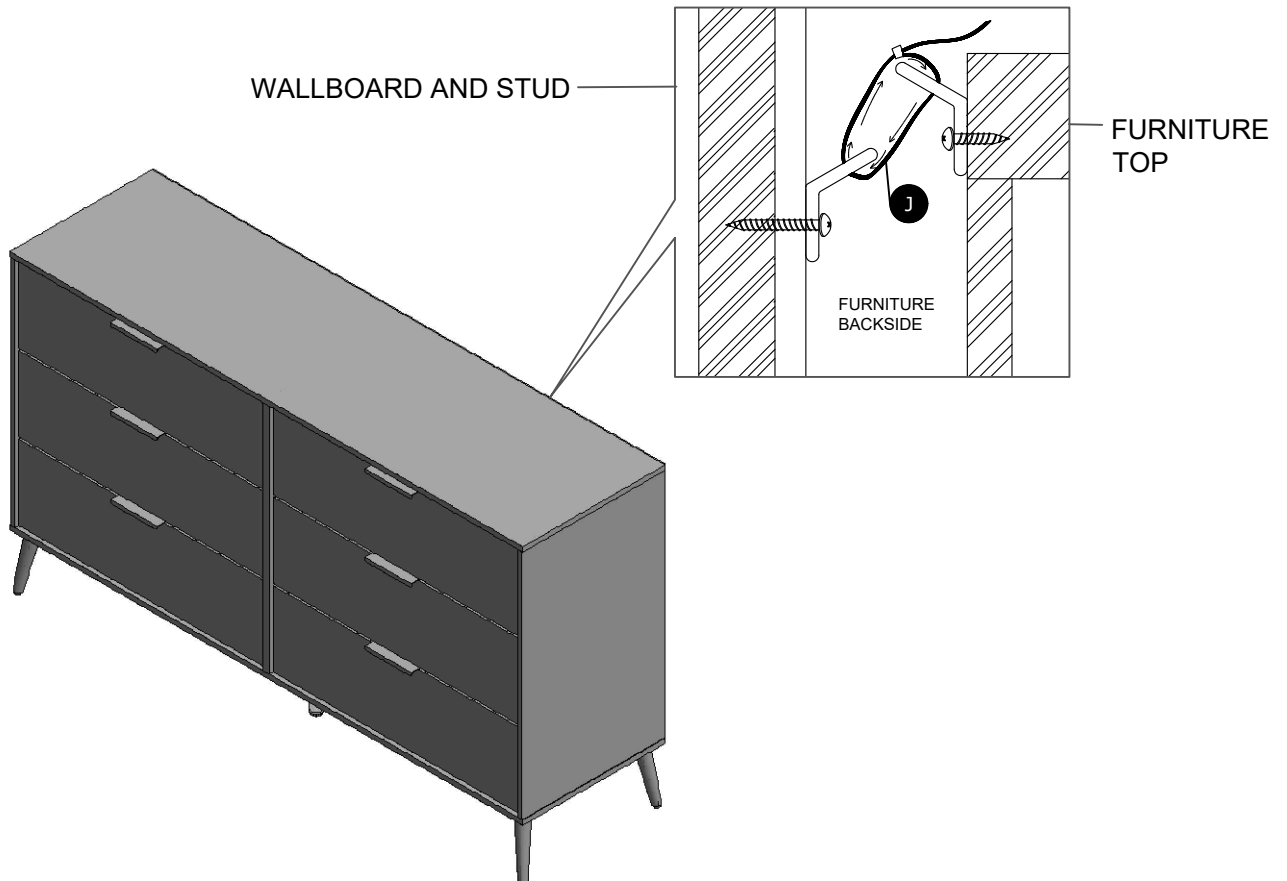
ASSEMBLY INSTRUCTION

STEP 24



IMPORTANT:
Make sure two people move the dresser if needed to avoid injury or product damage. To avoid damaging, do NOT push, pull or drag the dresser across the floor.

STEP 25



ASSEMBLY COMPLETED