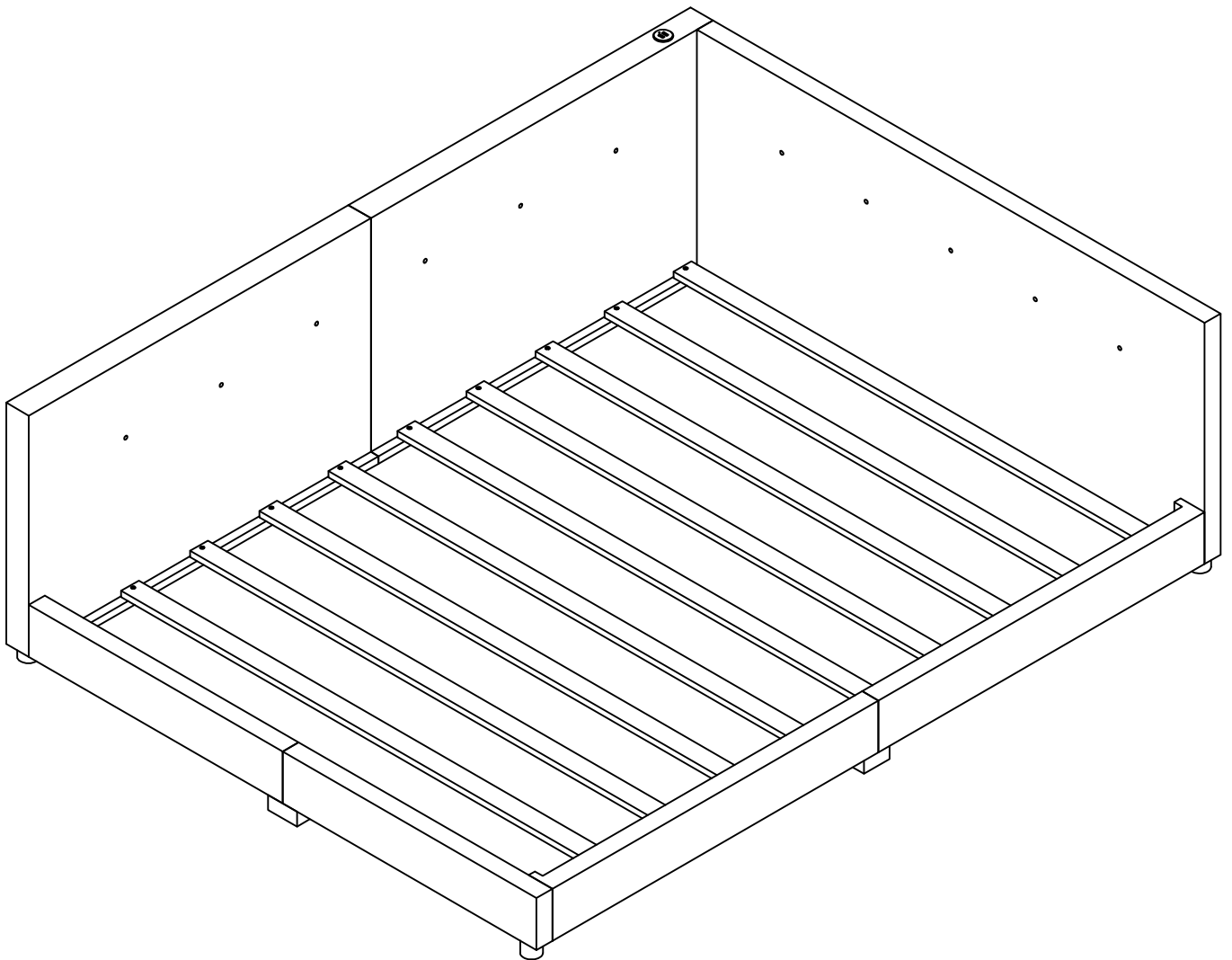
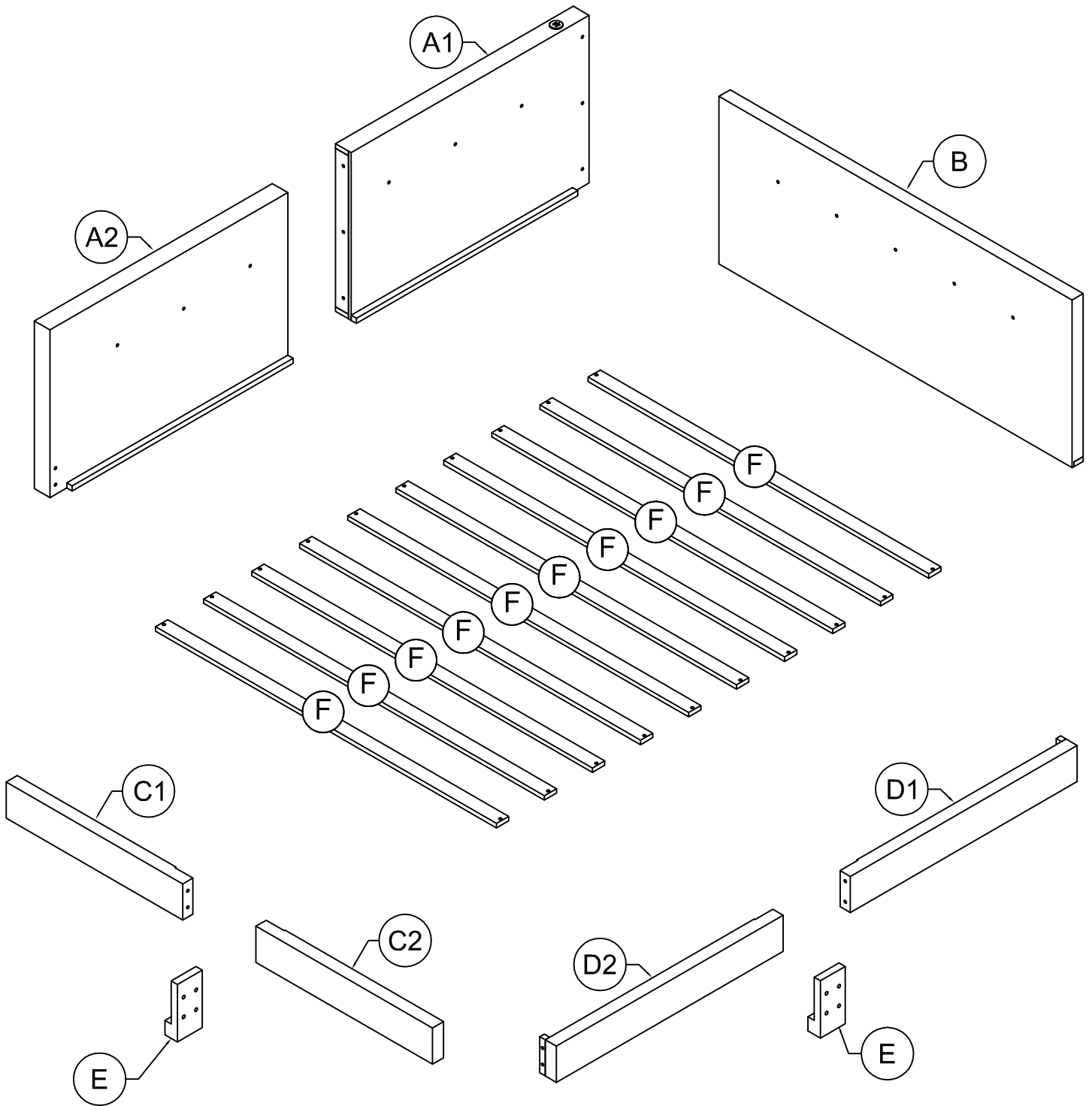


ASSEMBLY INSTRUCTION

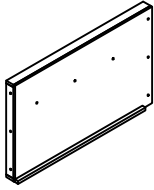


ASSEMBLY INSTRUCTION



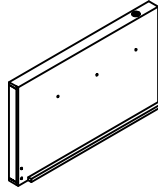
Part List

A1



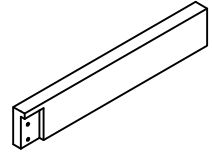
Side Rails - 1pc

A2



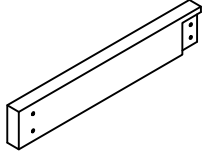
Side Rails - 1pc

C1



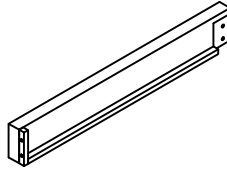
FB Frames - 1pcs

C2



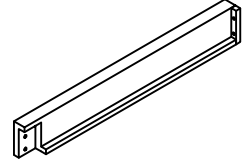
FB Frames - 1pc

D1



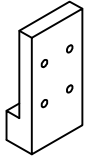
Side Rails - 1pc

D2



Side Rails - 1pc

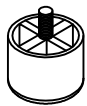
E



Legs Side Rails - 2pcs

Hardware List

1



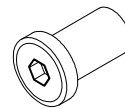
Plastic Feet(Ø50x40)
7pcs

2



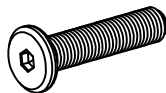
Allen Key 2pcs

3



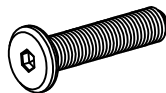
1/4" x 25mm
Sleeve Nut 6pcs

4



1/4" x 50mm
Hex-Head bolts 6pcs

5



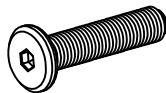
1/4" x 35mm
Hex-Head bolts 11pcs

6

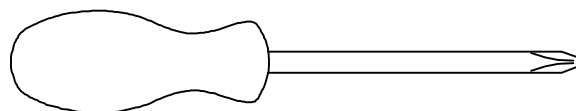


M4 x 30 mm
Wood Screws 20pcs

7



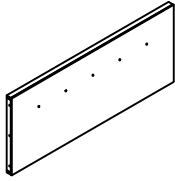
1/4" x 40mm
Hex-Head bolts 3pcs



Assembly Tools Required (Not Included)

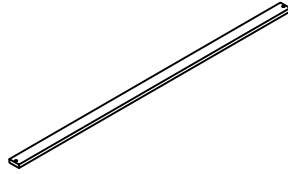
Part List

B



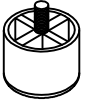
HB Frames - 1pc

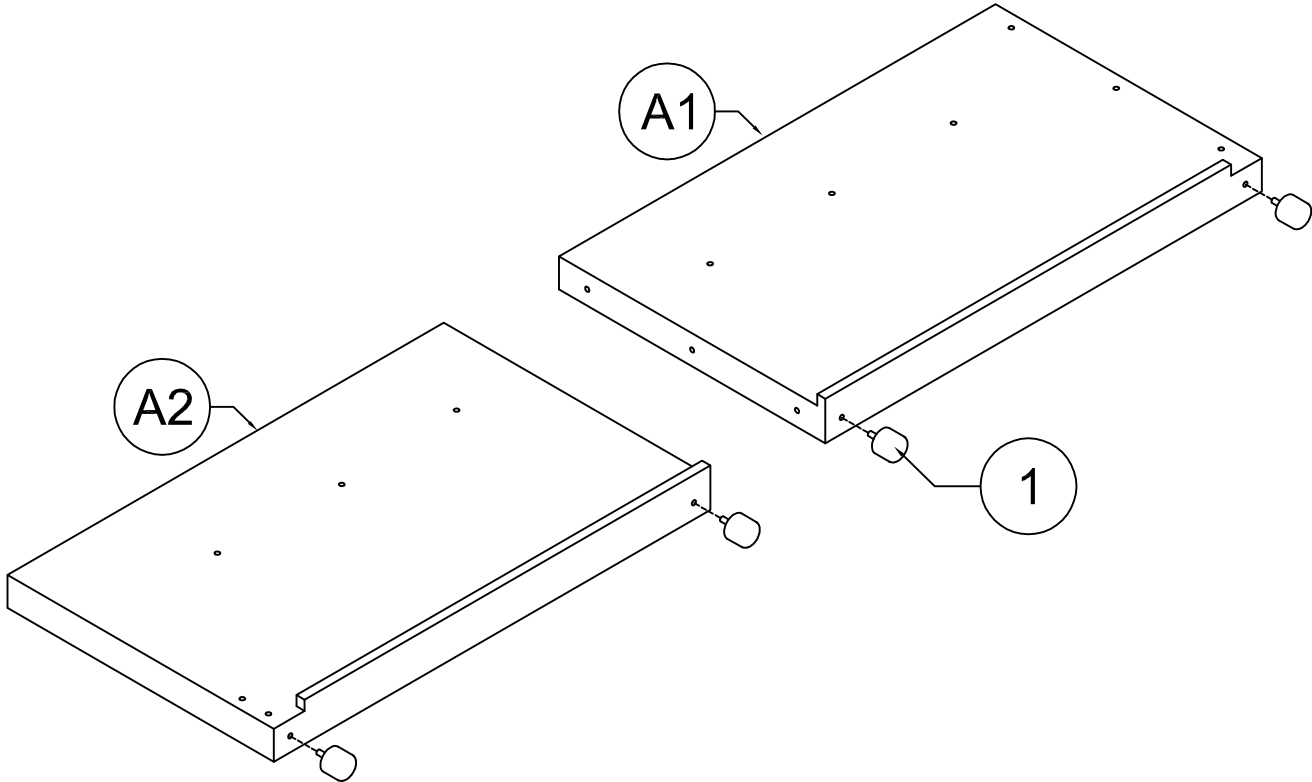
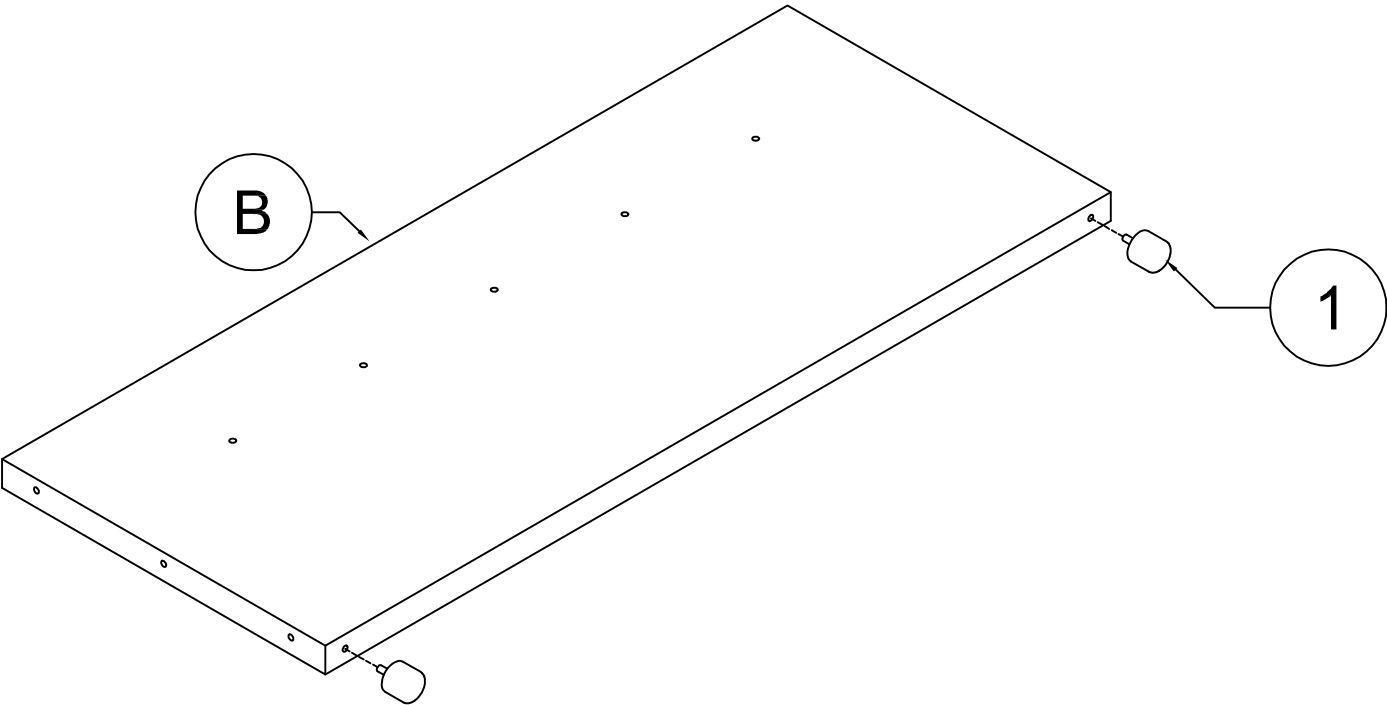
F



Slats - 10pcs

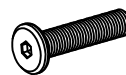
STEP 1: Following below illustration:

1	
6pcs	

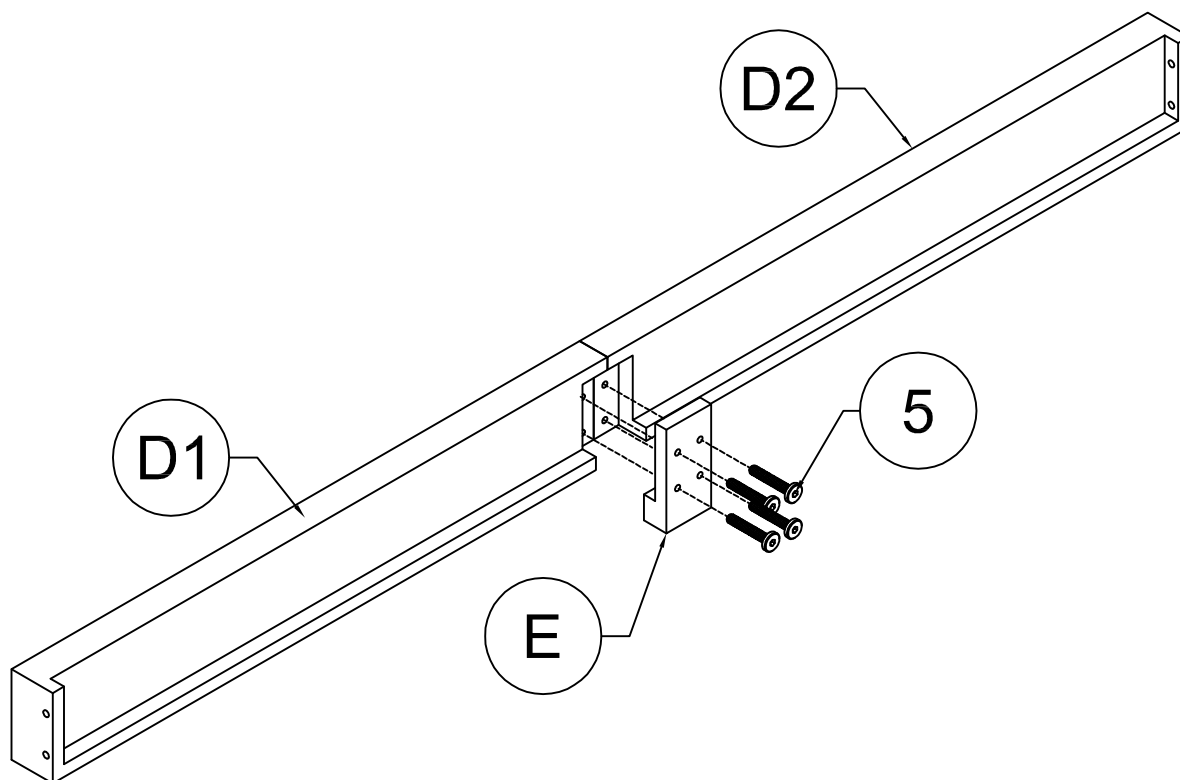


STEP 2-1: Following below illustration:

5

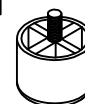


4pcs



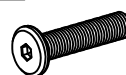
STEP 2-2: Following below illustration:

1

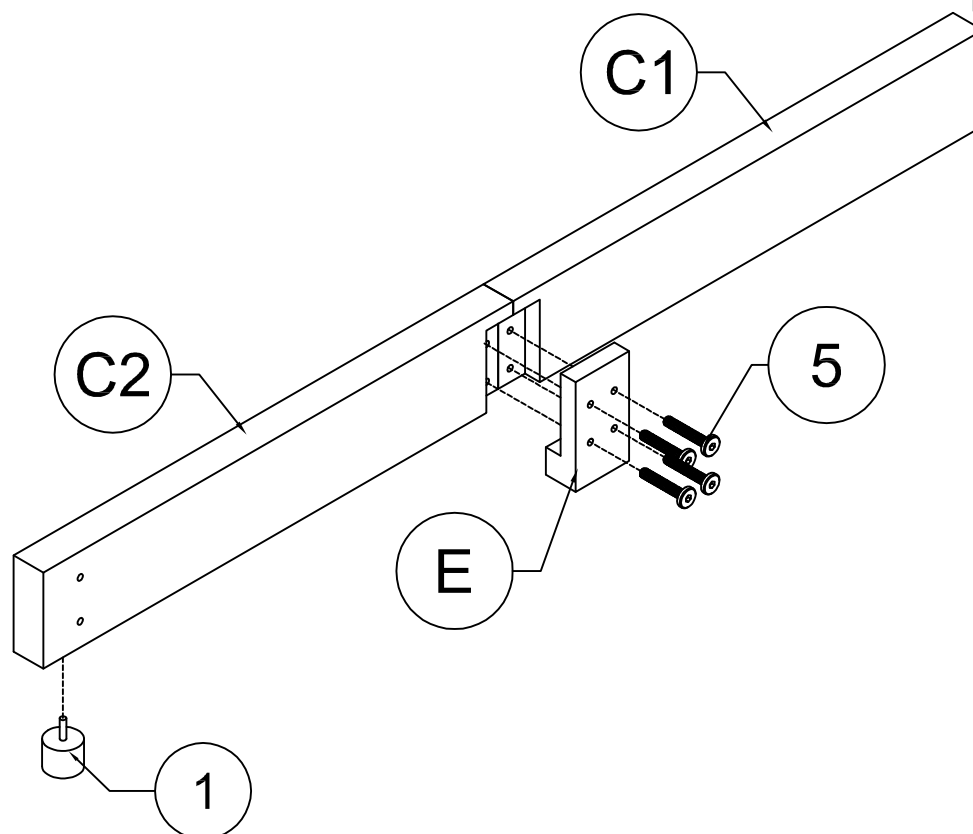


1pcs

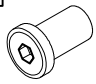

5

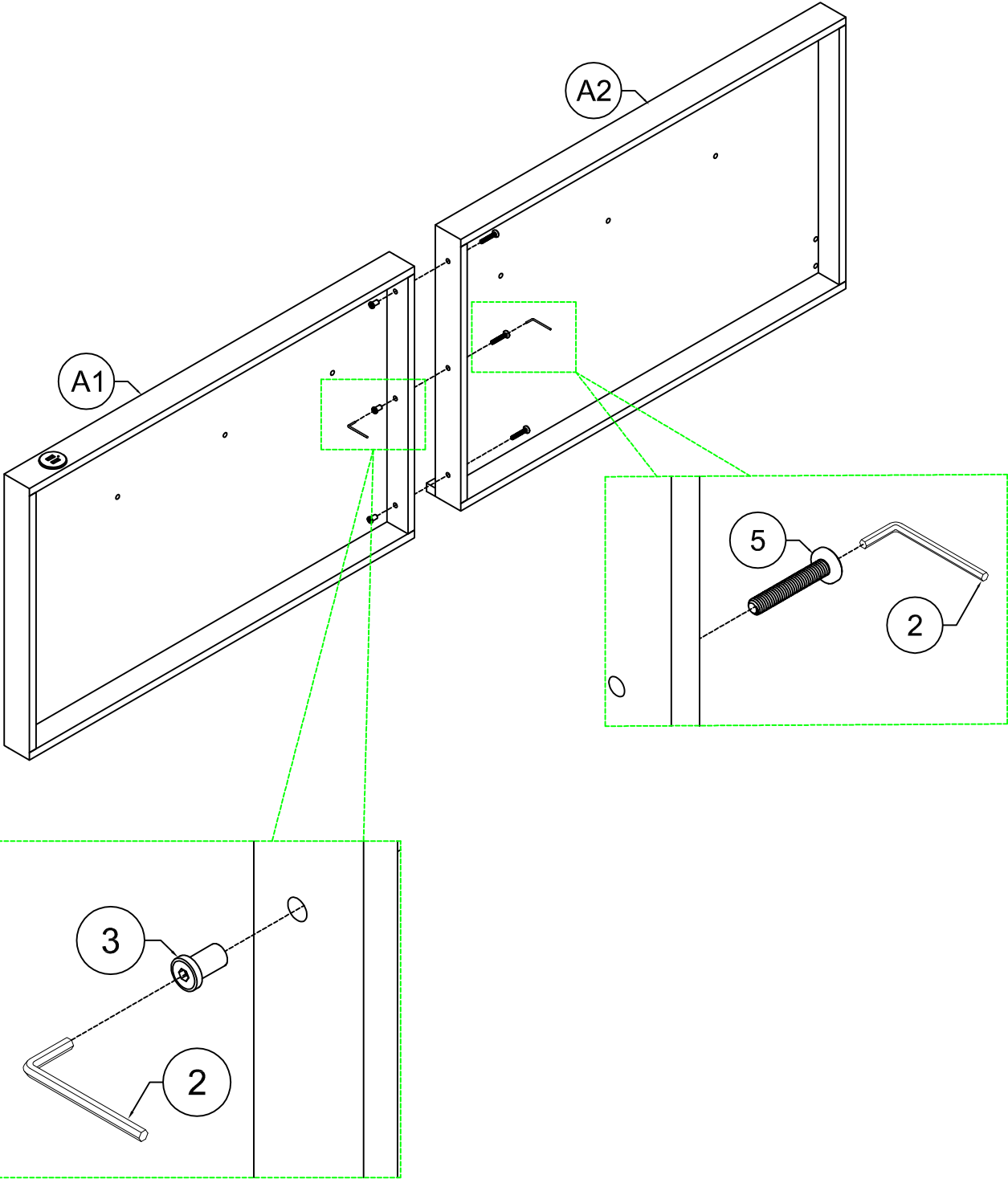


4pcs

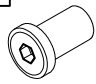




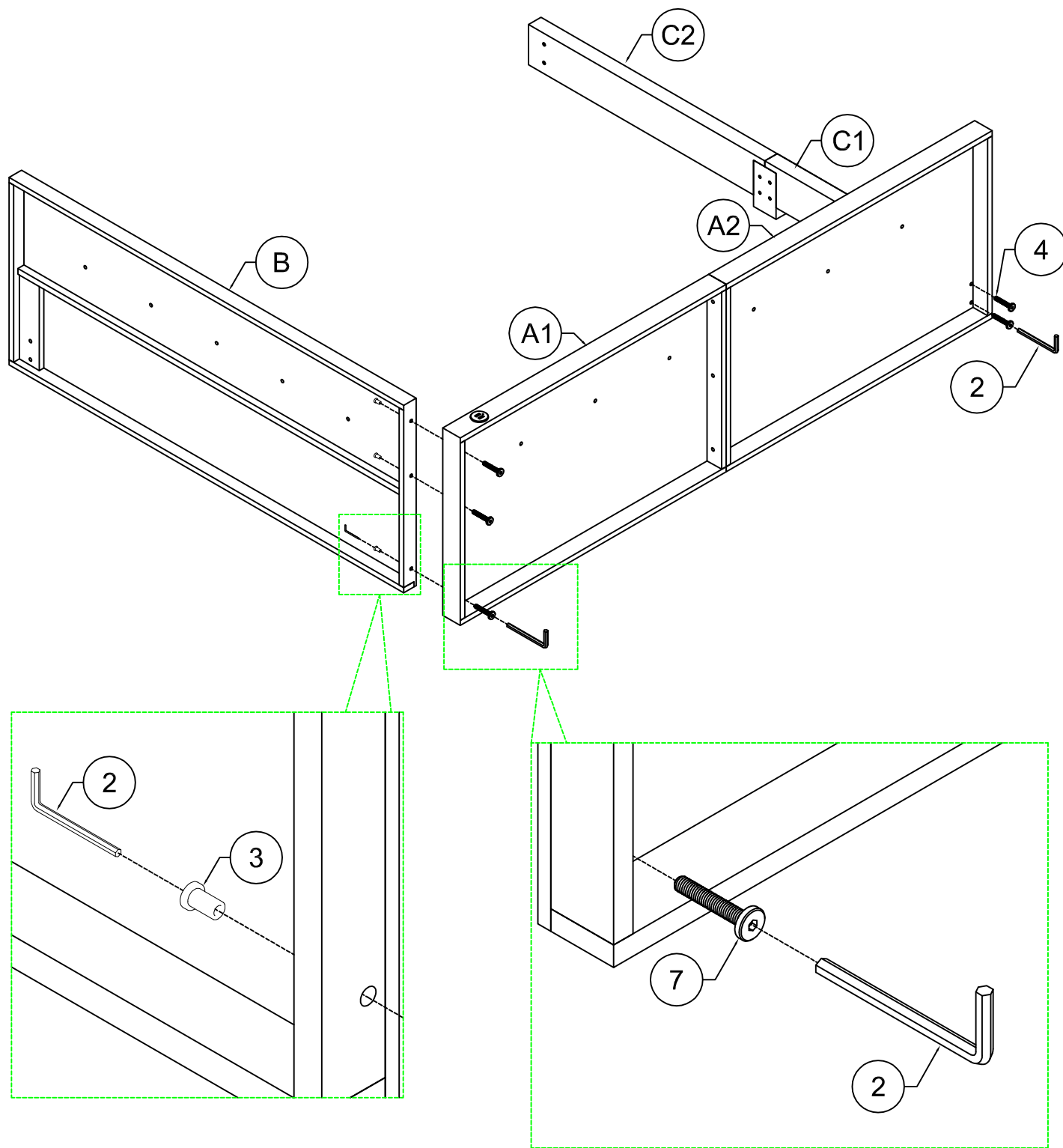
STEP 2-3: Following below illustration:

3	5
	
3pcs	3pcs



STEP 3: Following below illustration:

3	4	7
		
3pcs	2pcs	3pcs

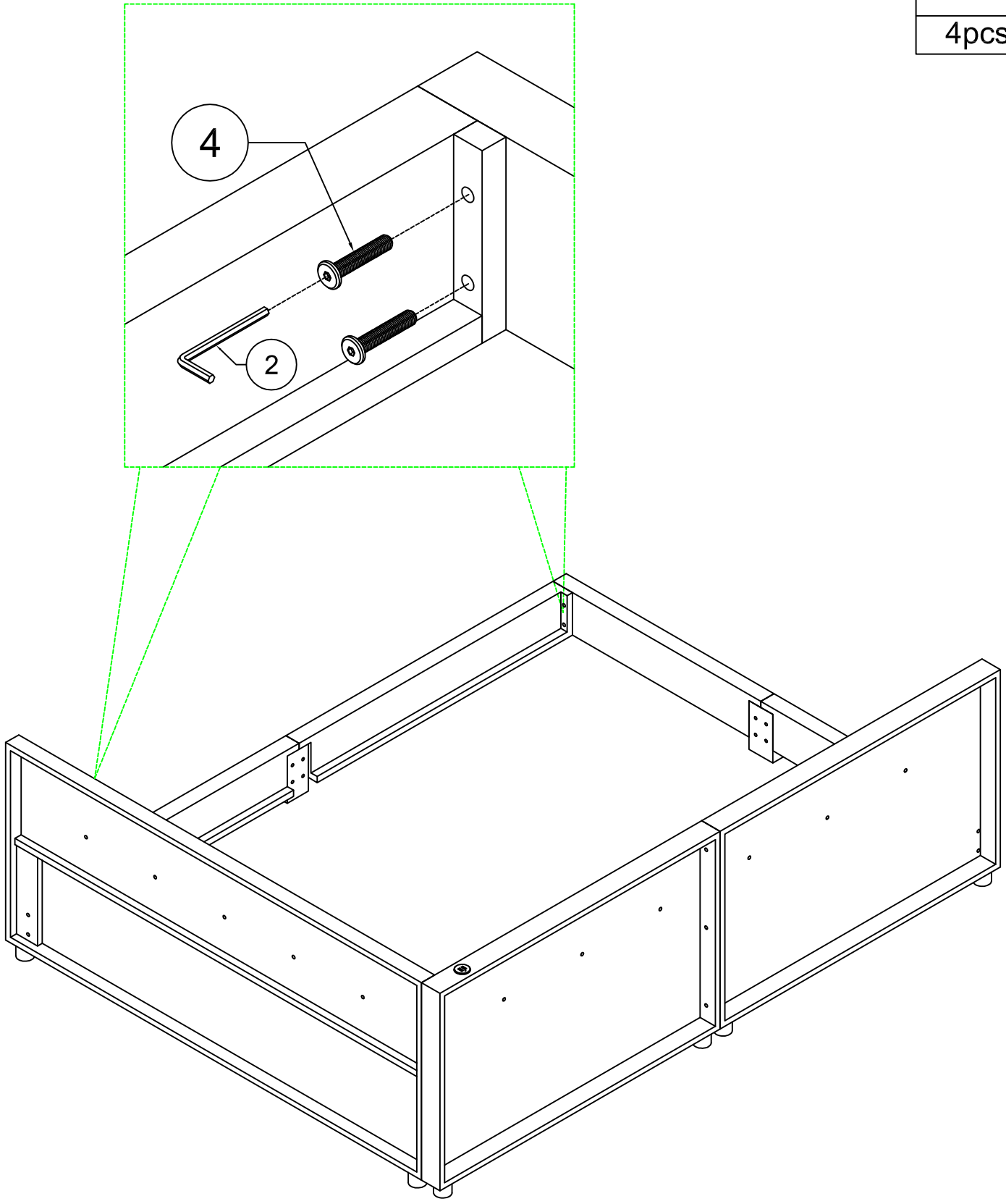


STEP 4: Following below illustration:

4



4pcs

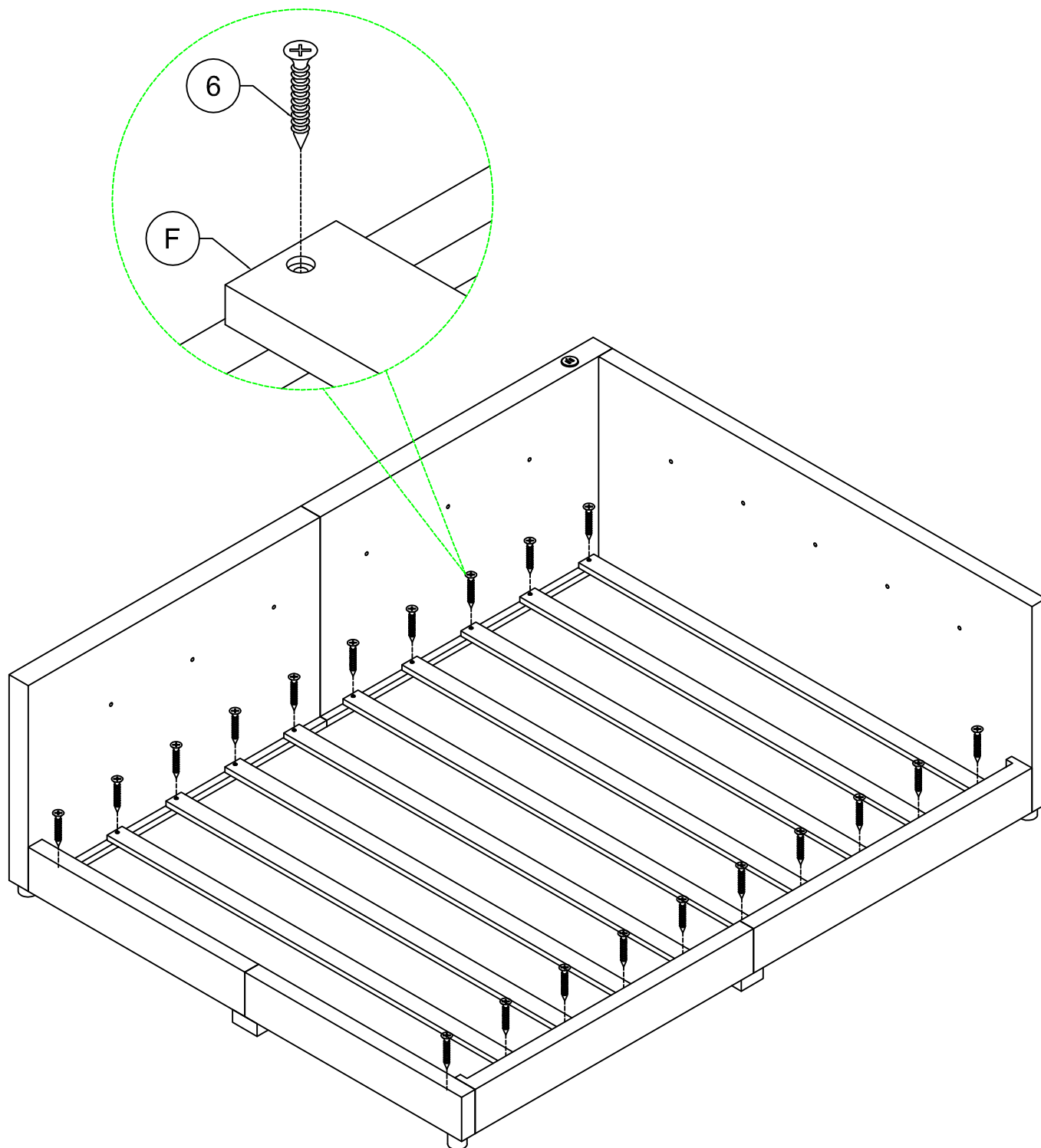


STEP 5: Following below illustration:

6



20pcs



FINISH

