

Storage Cabinet

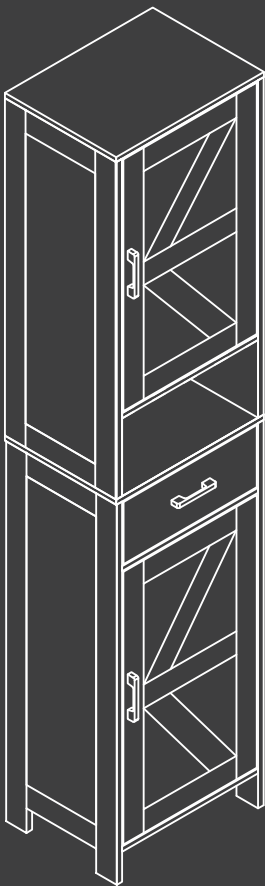
Instruction Manual

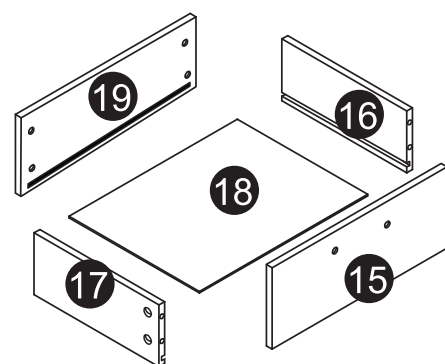
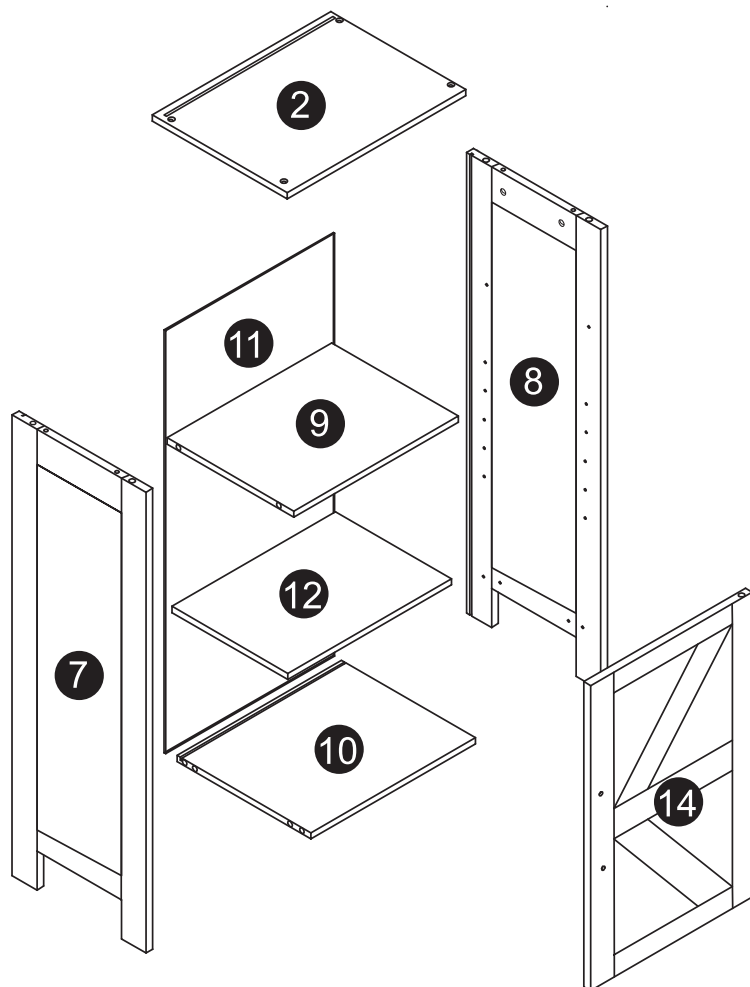
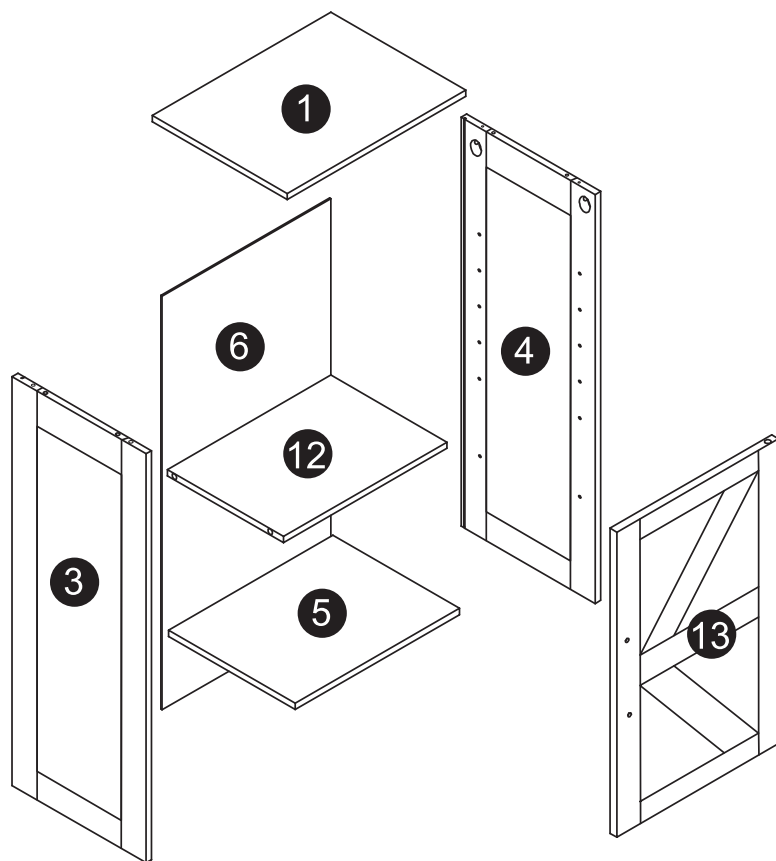
Almario de almacenaje

Manual de instrucciones

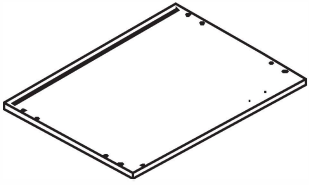
Armoire de Rangement

Manuel d'Instruction

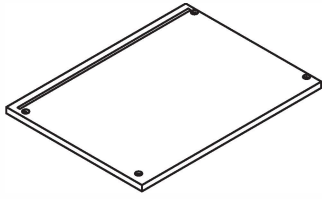




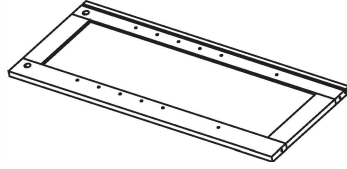
1 X1



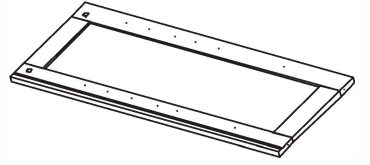
2 X1



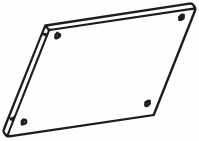
3 X1



4 X1



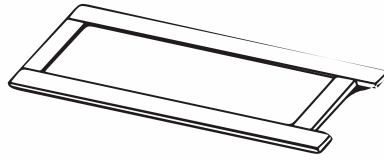
5 X1



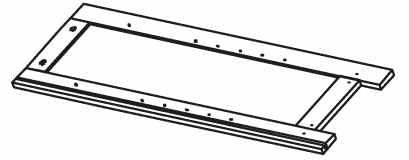
6 X1



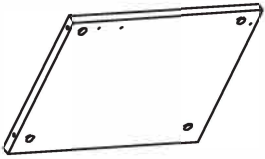
7 X1



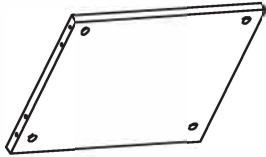
8 X1



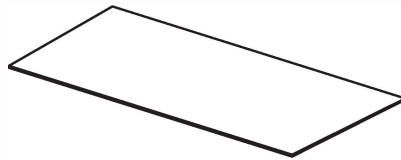
9 X1



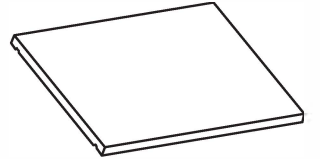
10 X1



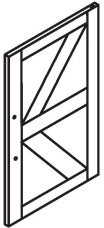
11 X1



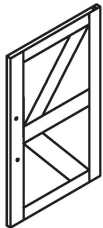
12 X2



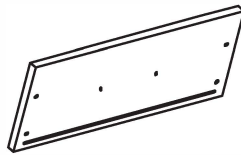
13 X1



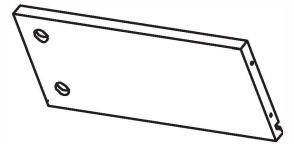
14 X1



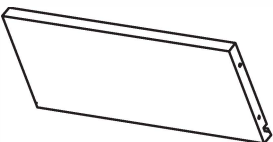
15 X1



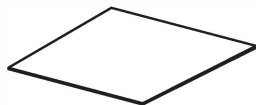
16 X1



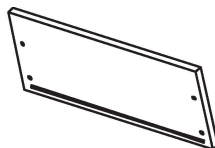
17 X1



18 X1



19 X1



A X24



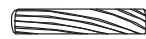
M6*35mm

B X24



Ø15*9.5mm

C X12



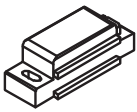
Ø6*30mm

D X8



M6*12mm

E X2



F X2

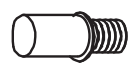


G x6



M3*12mm

H X2



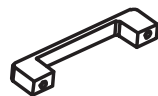
M4*12mm

I X2



M8*24mm

J X3



K X6



M6*18mm

L X4



M4*50mm

M X1



N X20

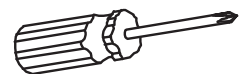


O X20



M3*15mm

P X1



Q x4



M4*30mm

R x1



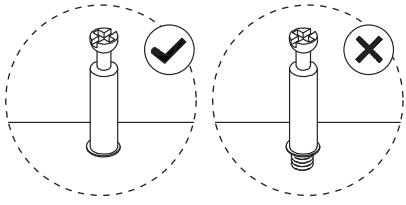
R1

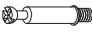




R2

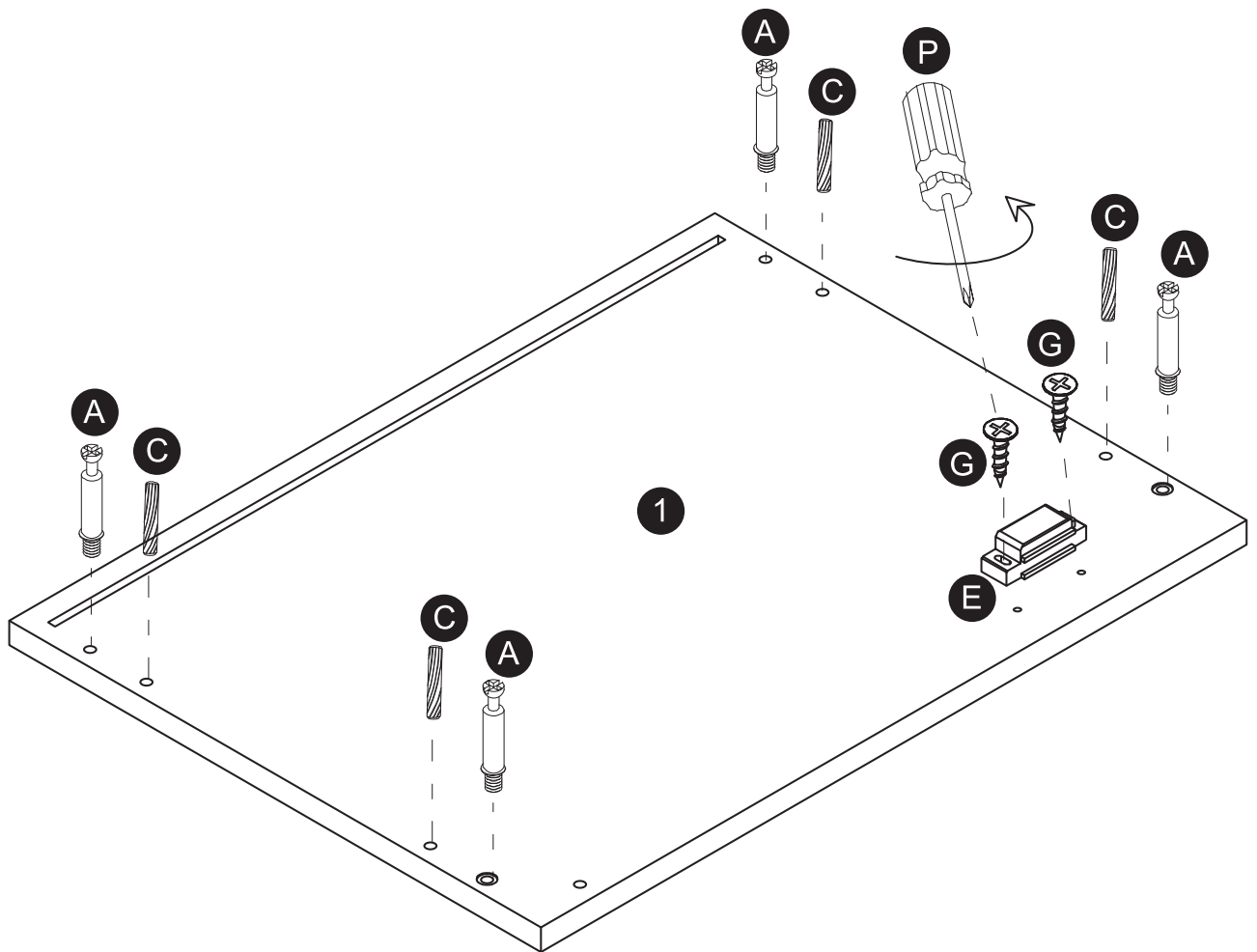
R3

R4

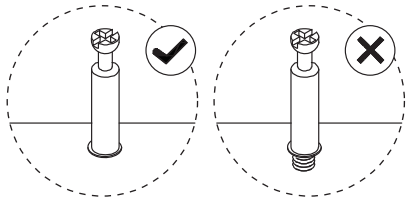
Step 1

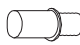
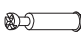
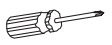


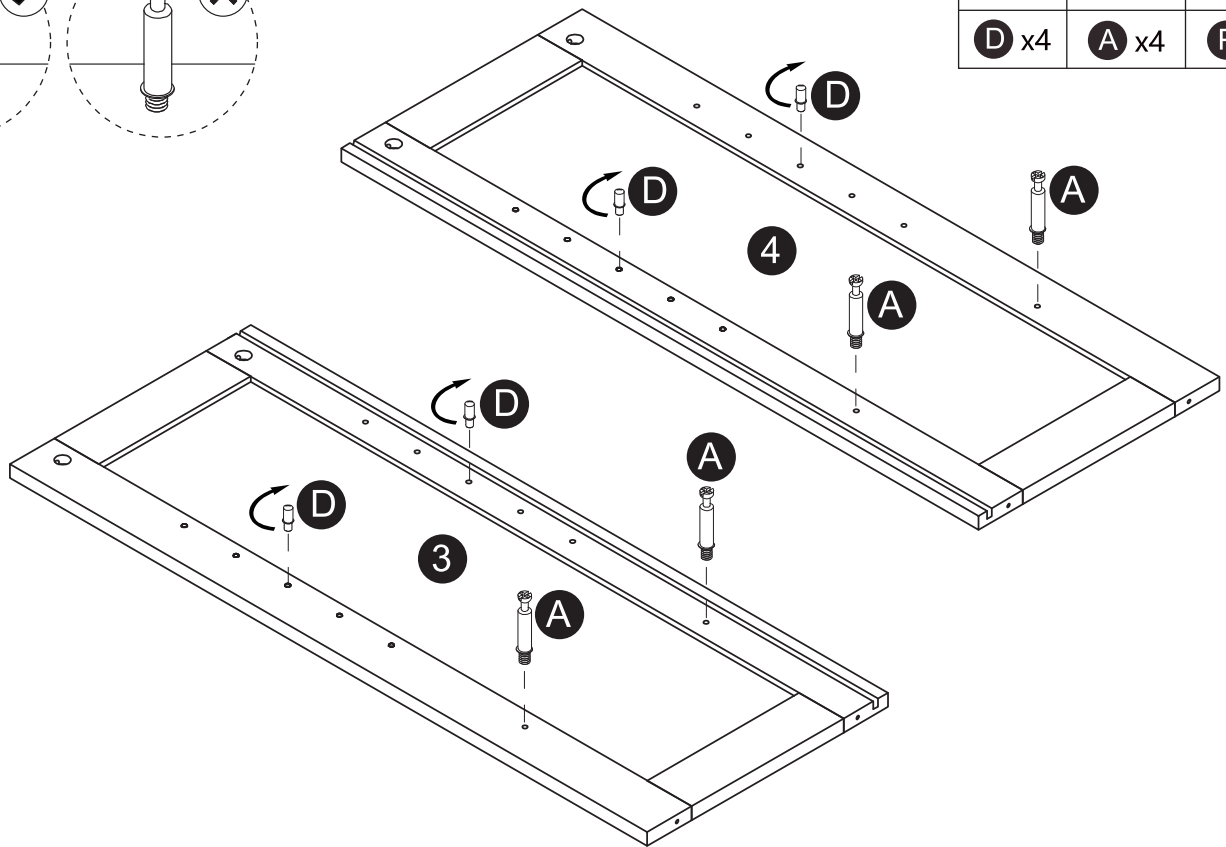
				
A x4	C x4	E x1	G x2	P x1



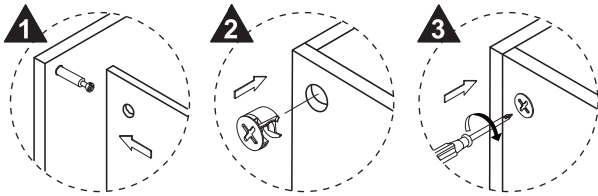
Step 2


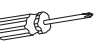


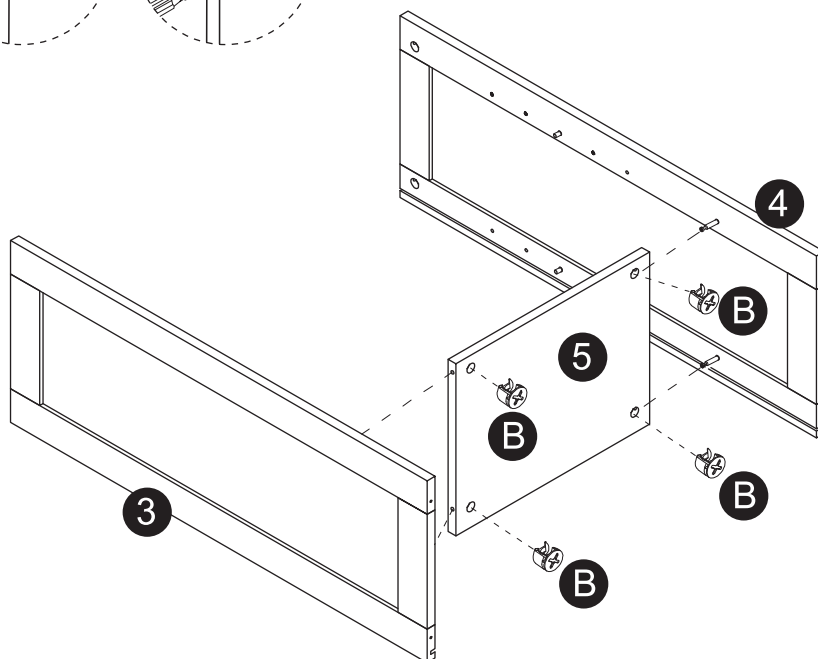
		
D x4	A x4	P x1



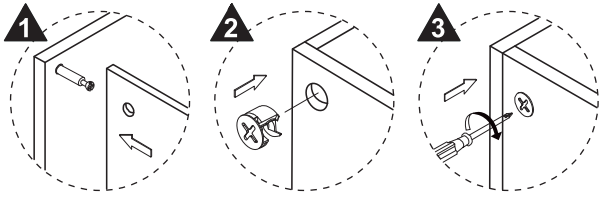
Step 3


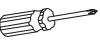


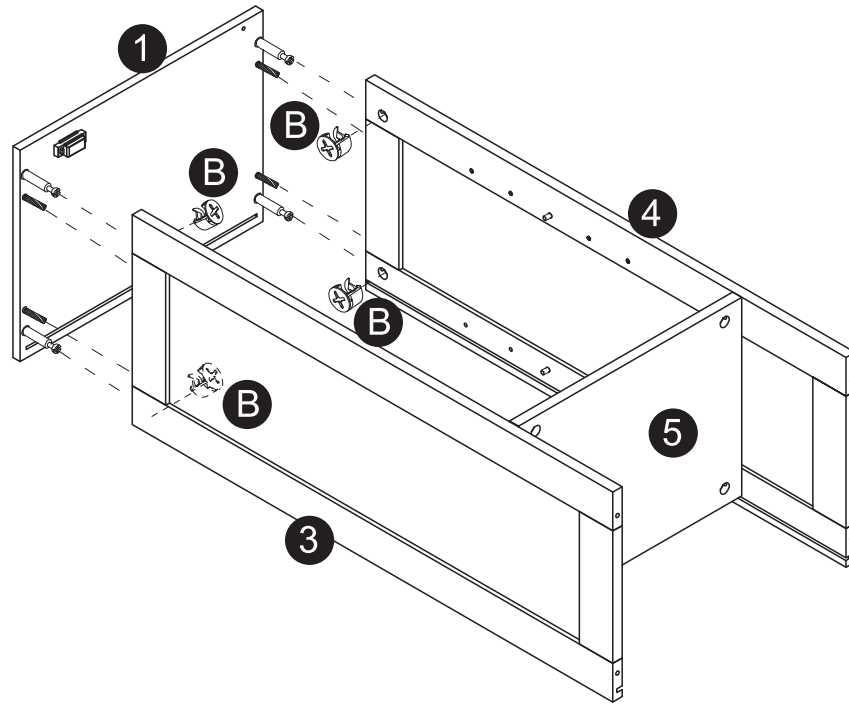
	
B x4	P x1



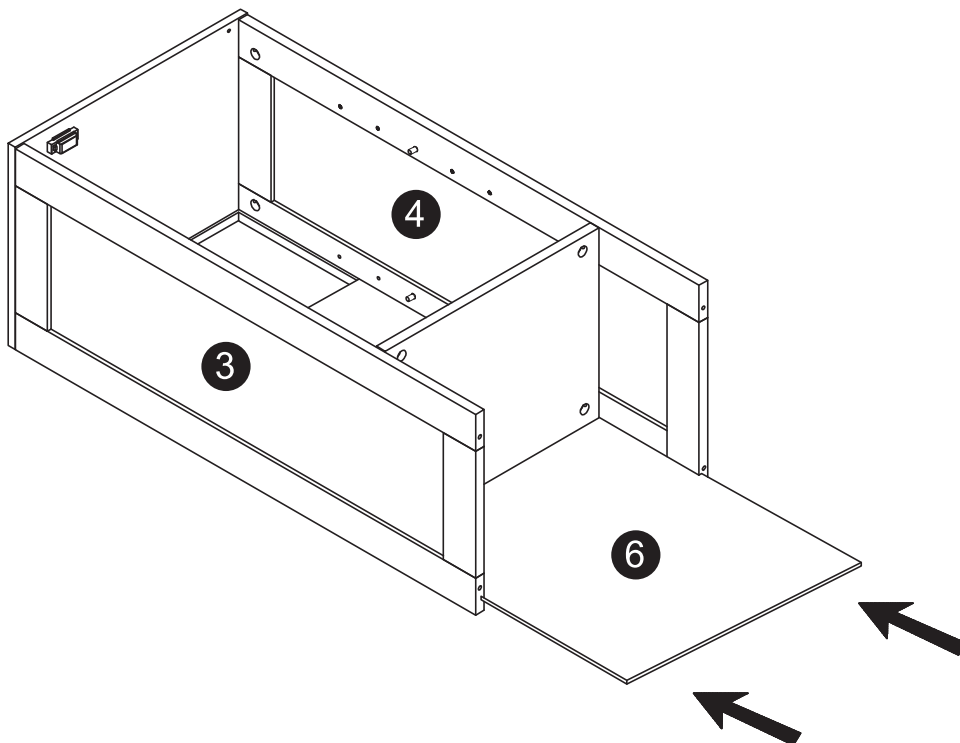
Step 4



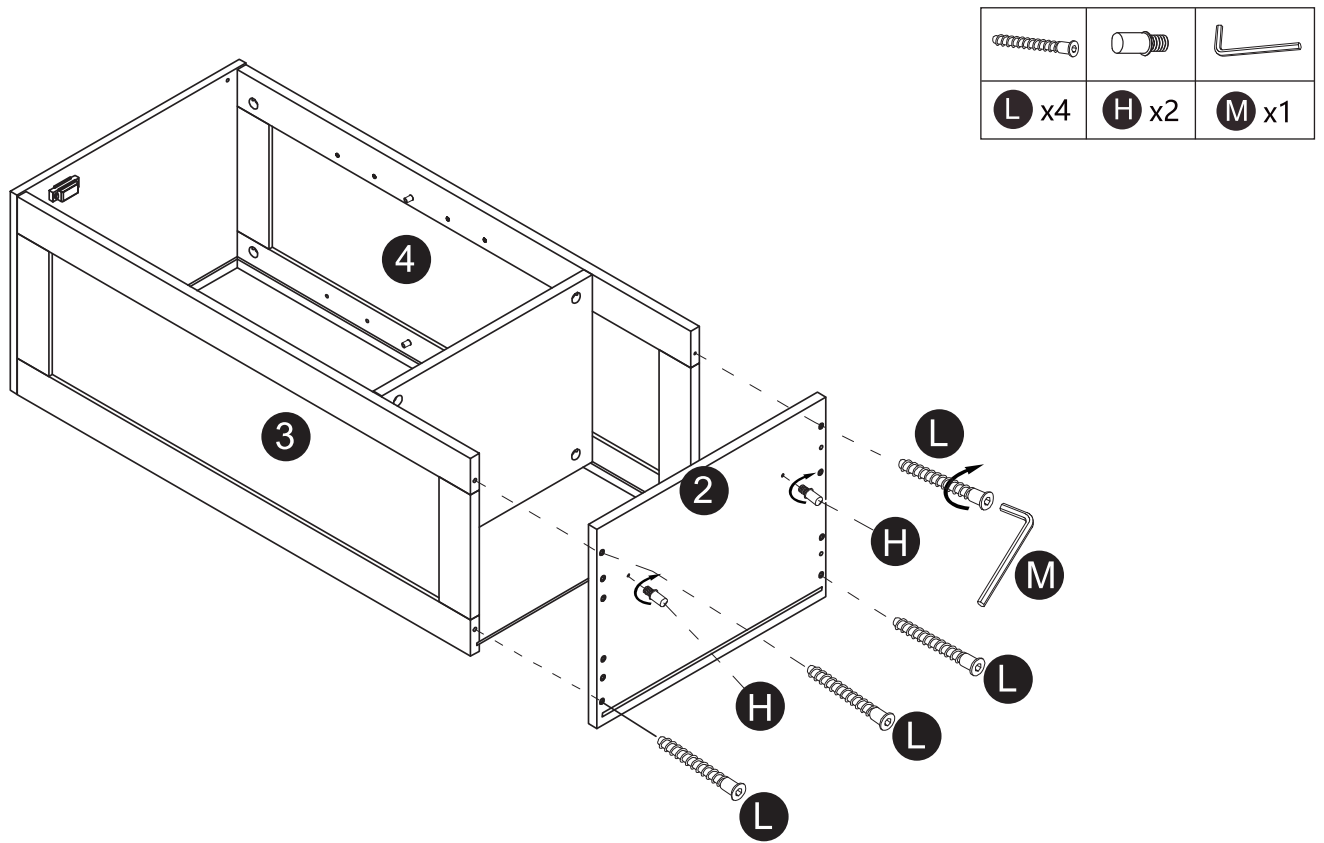
	
B x4	P x1



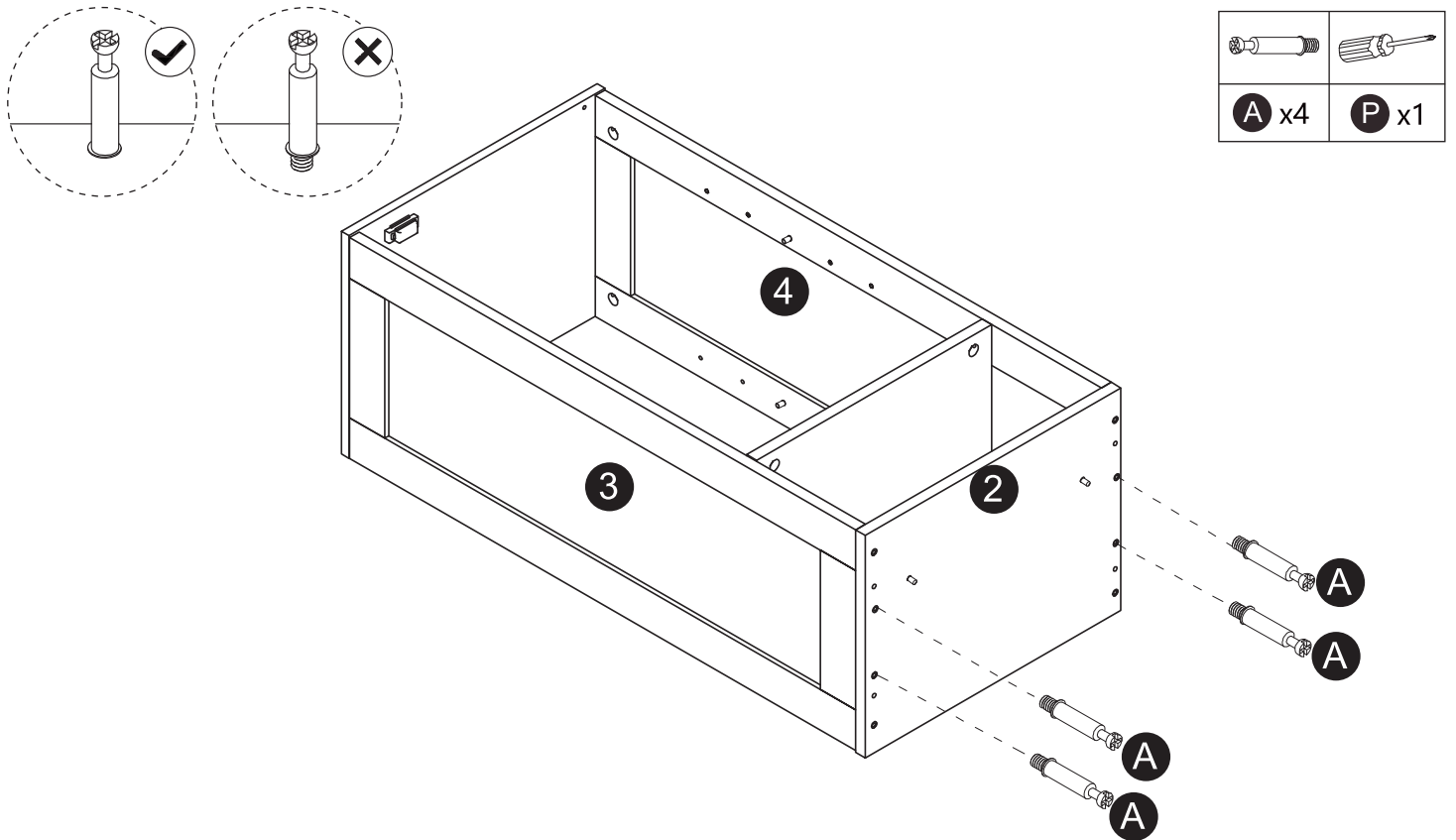
Step 5



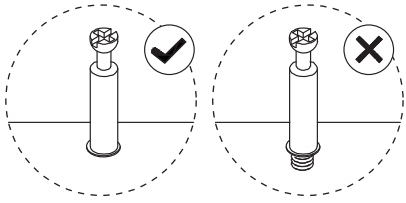
Step 6



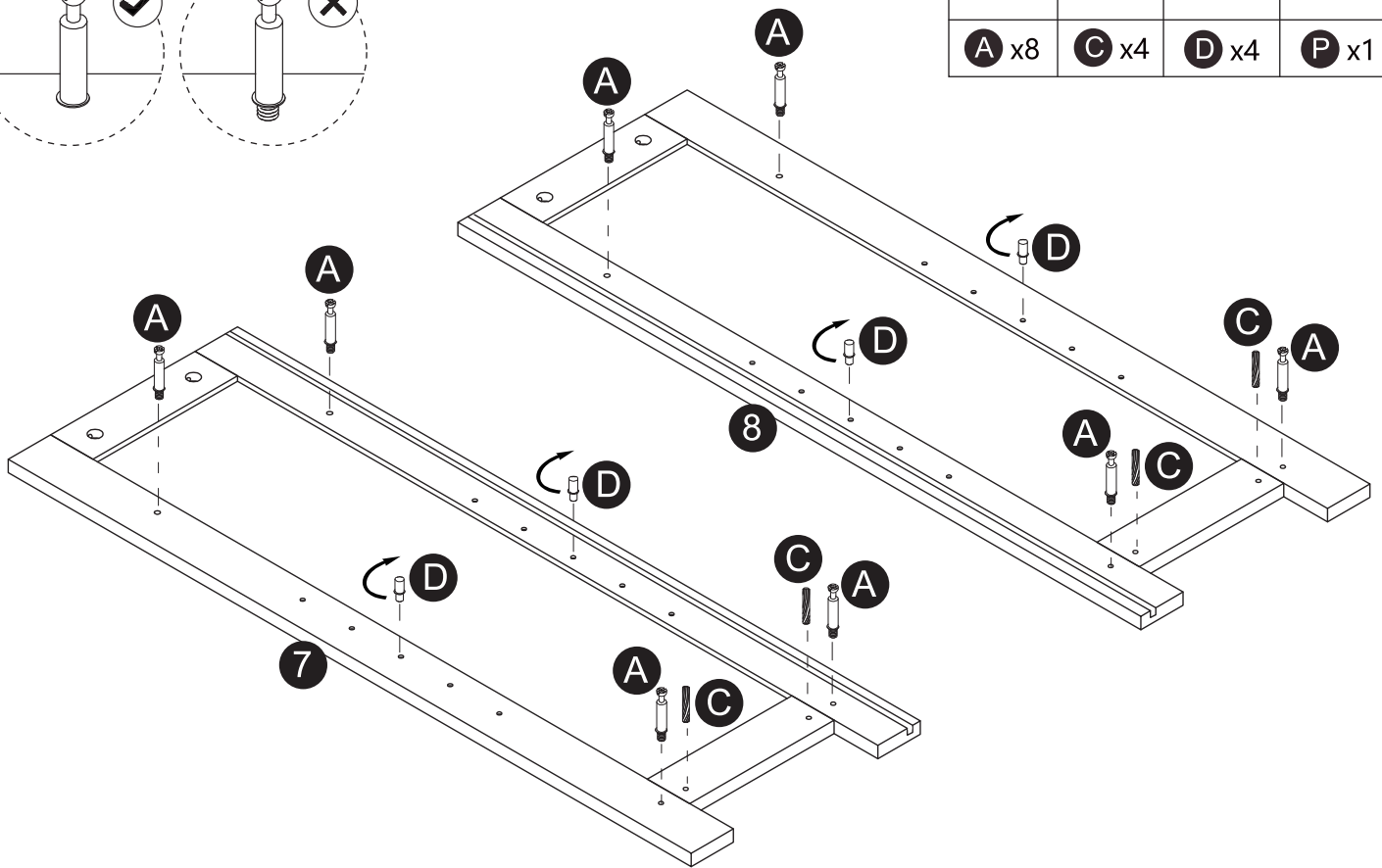
Step 7



Step 8

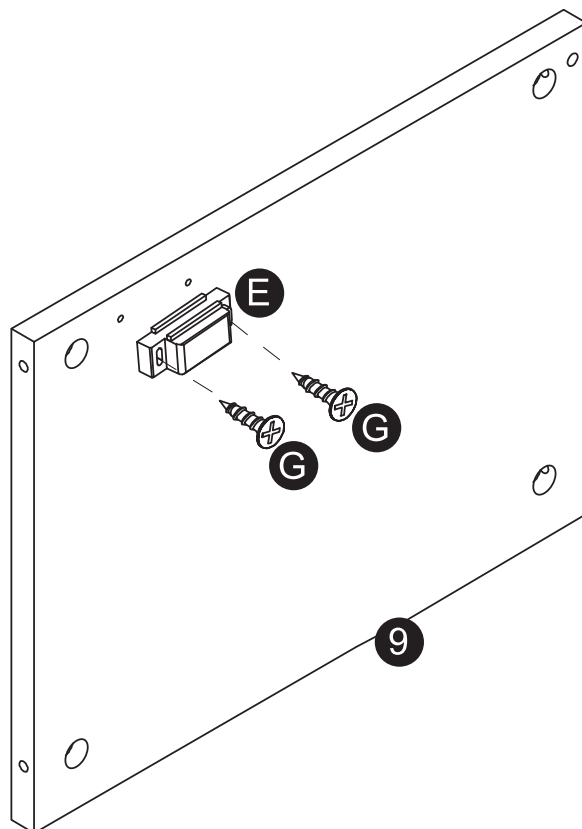


A x8	C x4	D x4	P x1

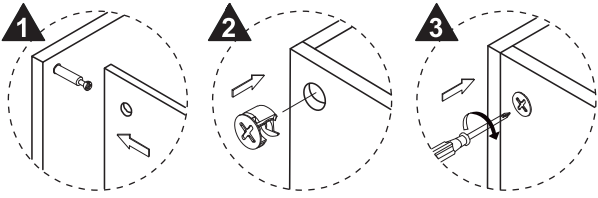




Step 9

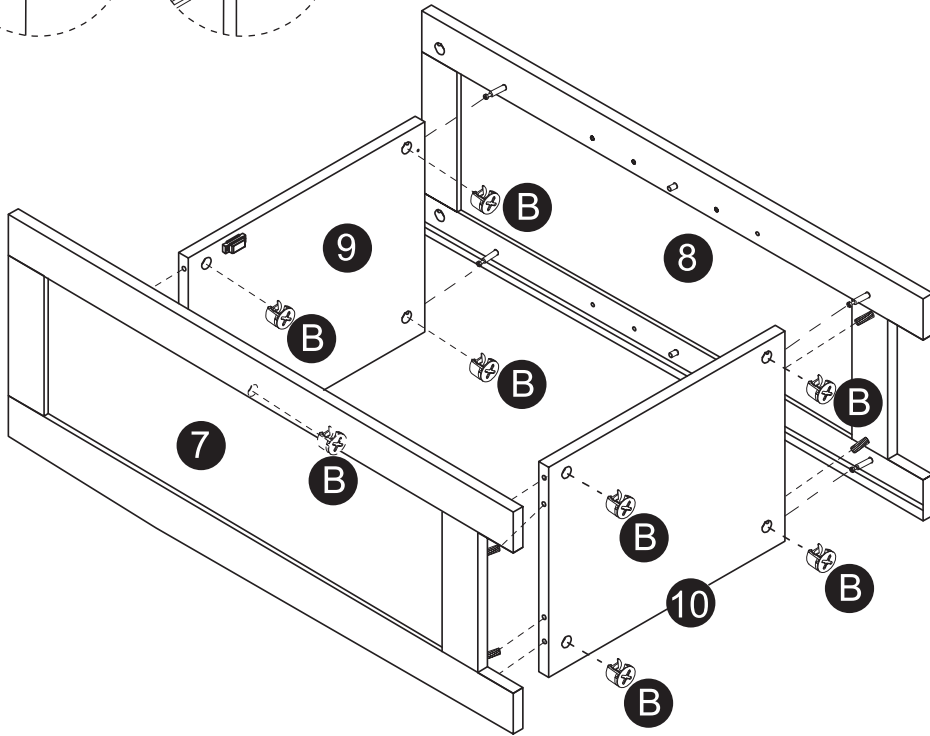
E x1	G x2	P x1




Step 10

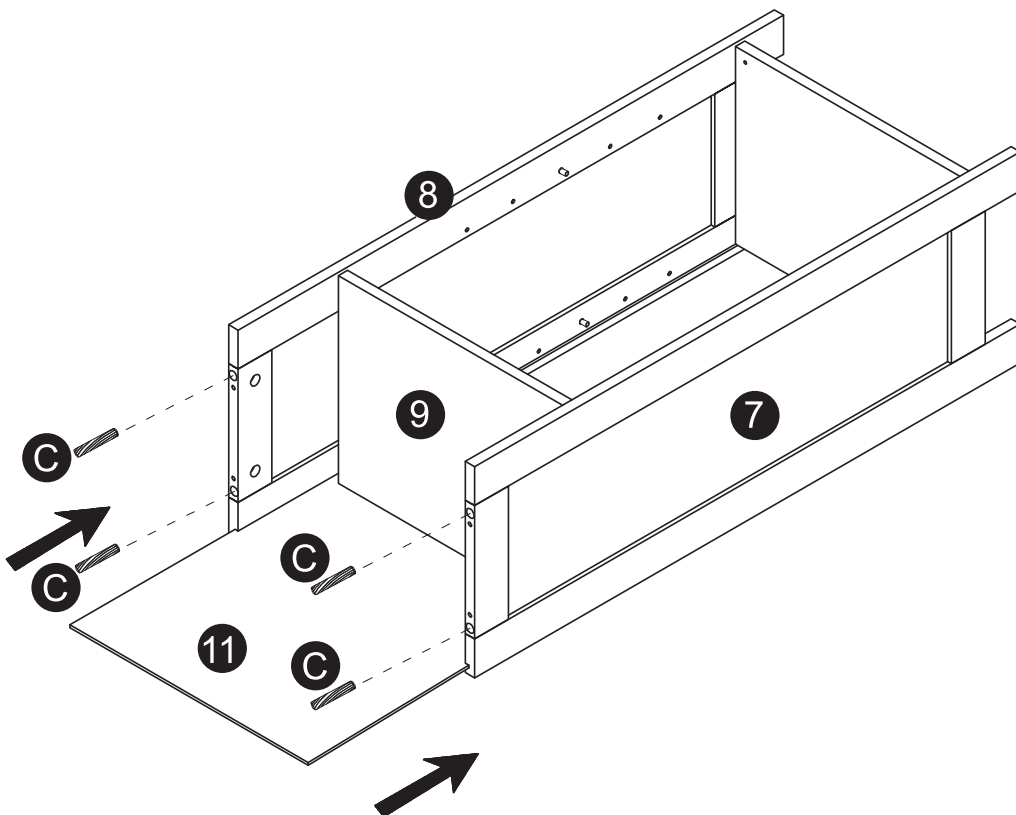


	
B x8	P x1

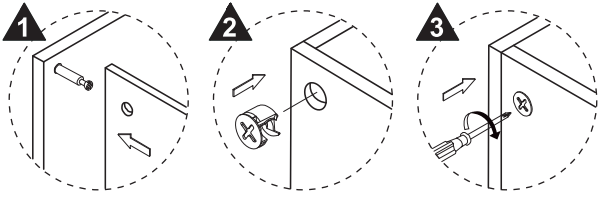


Step 11

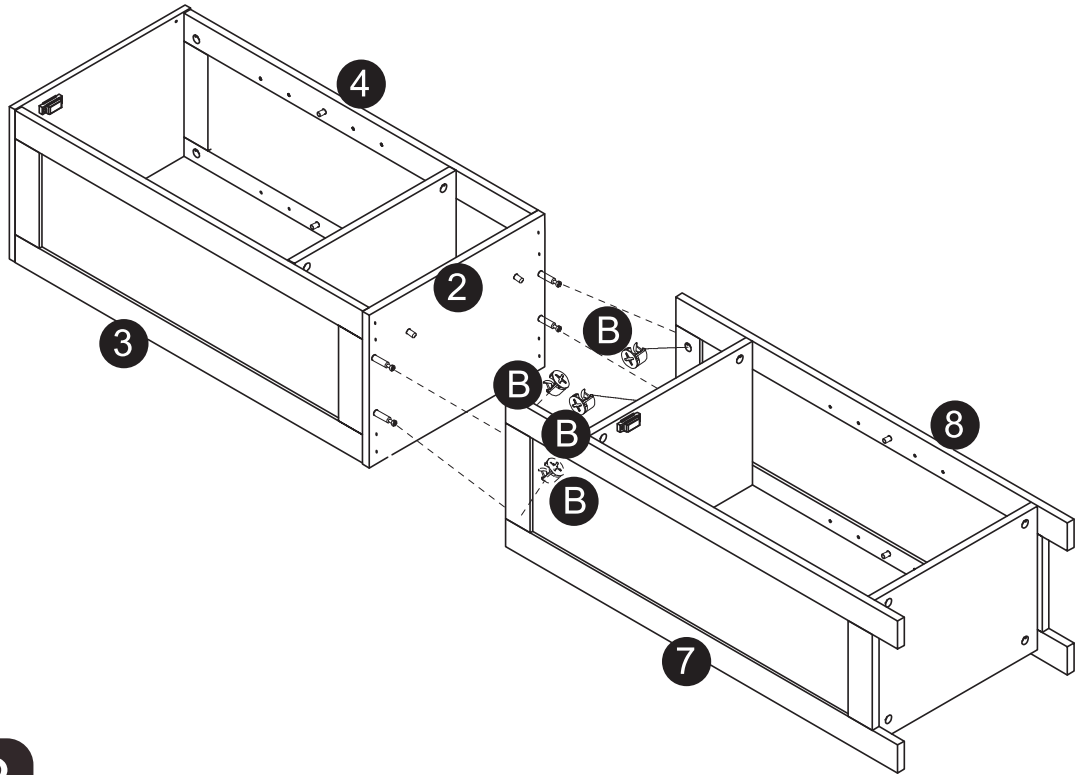

C x4



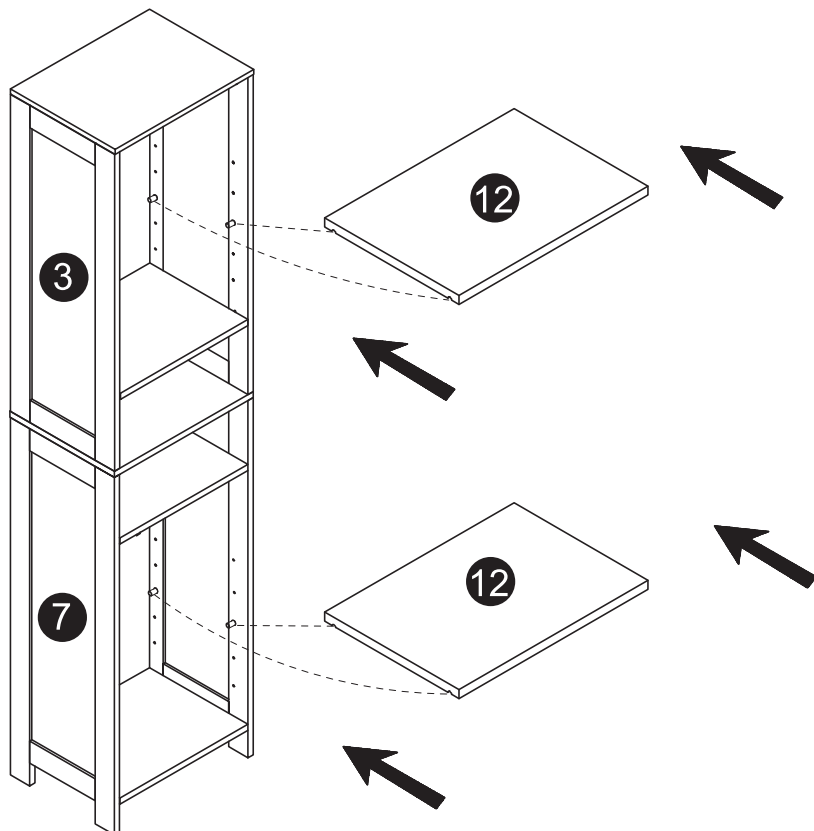
Step 12





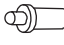


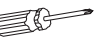
B x4	P x1

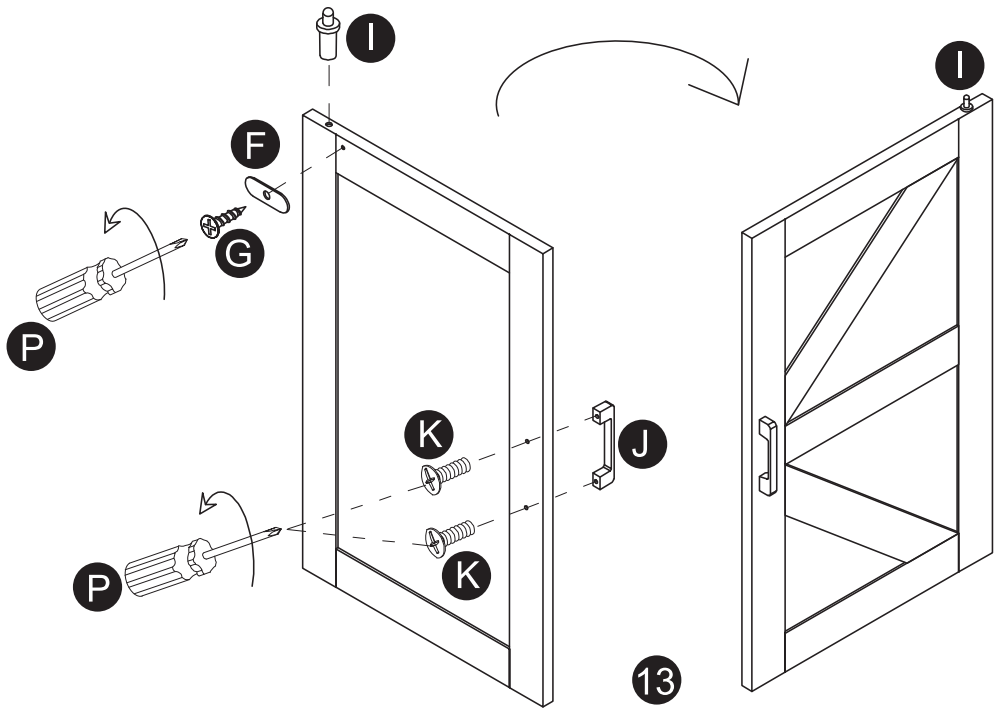


Step 13



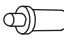





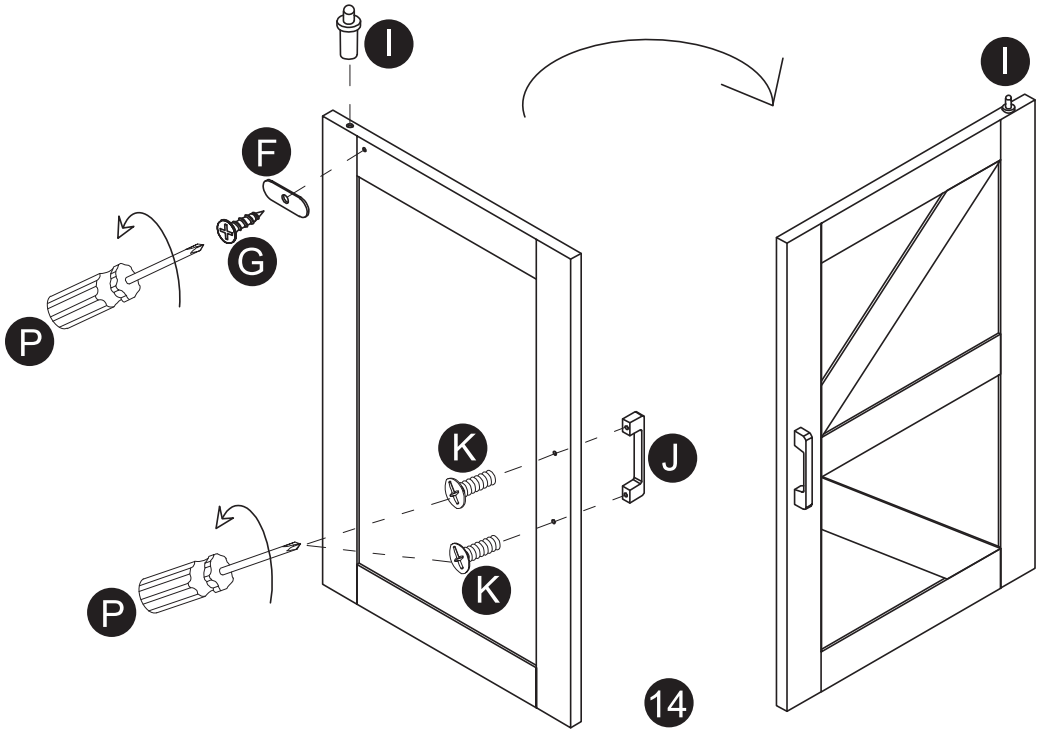
Step 14

					
F x1	G x1	I x1	J x1	K x2	P x1

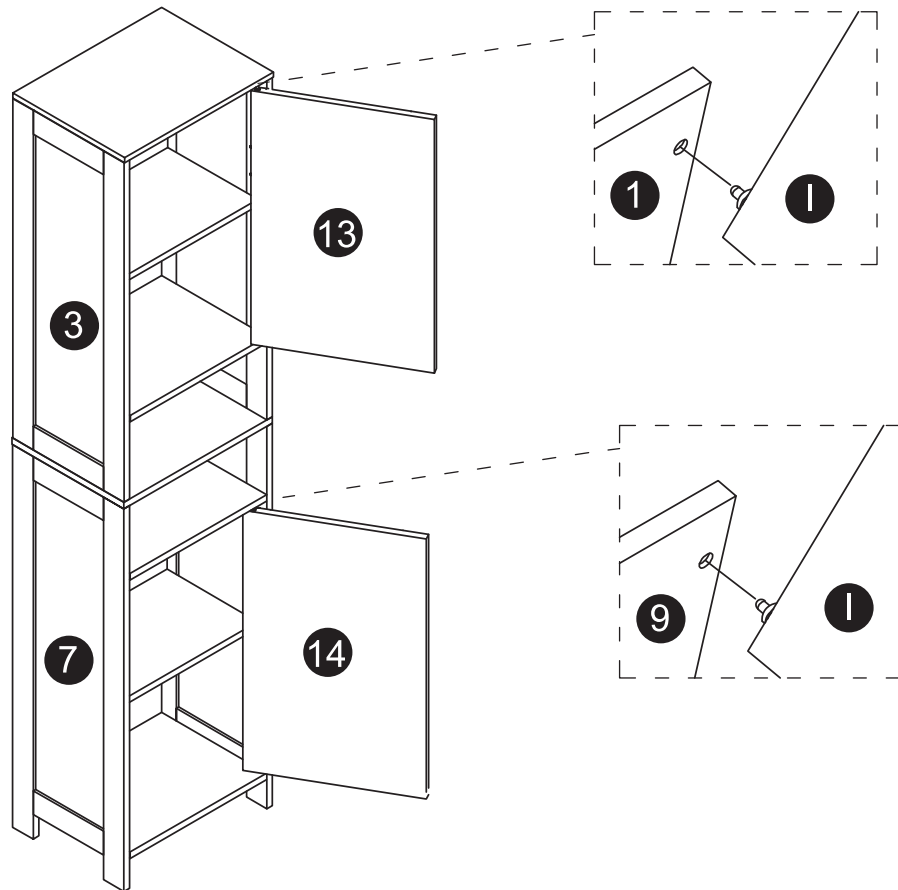


Step 15

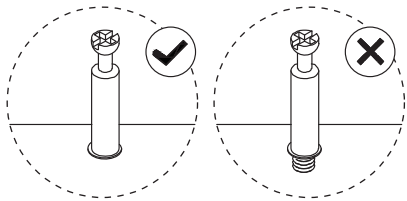
					
F x1	G x1	I x1	J x1	K x2	P x1



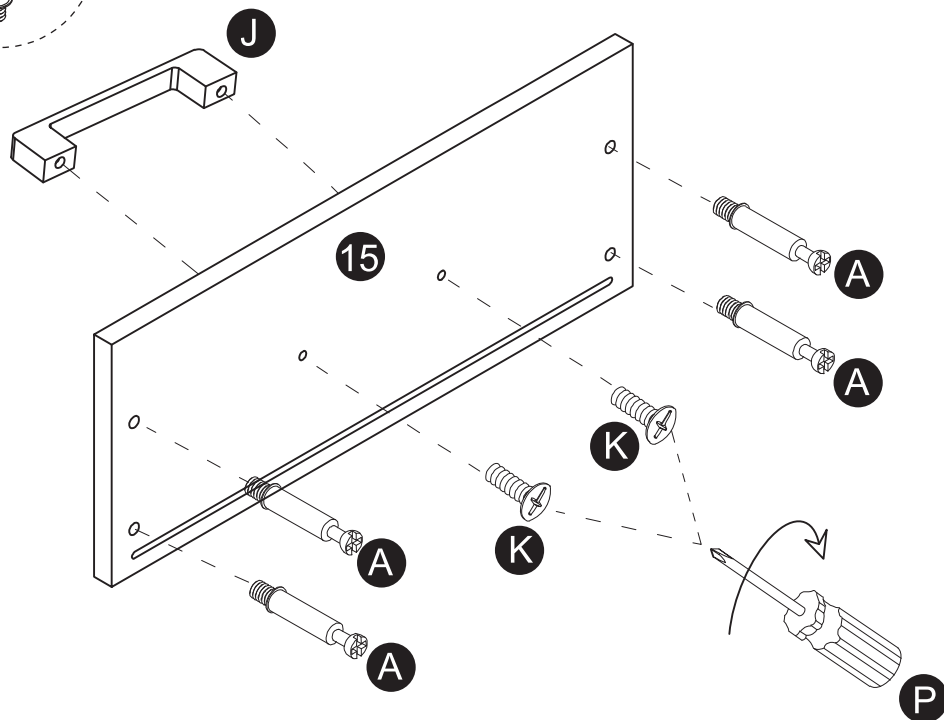
Step 16



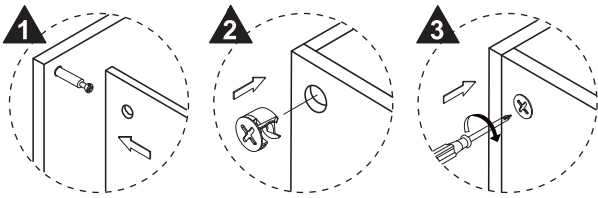
Step 17





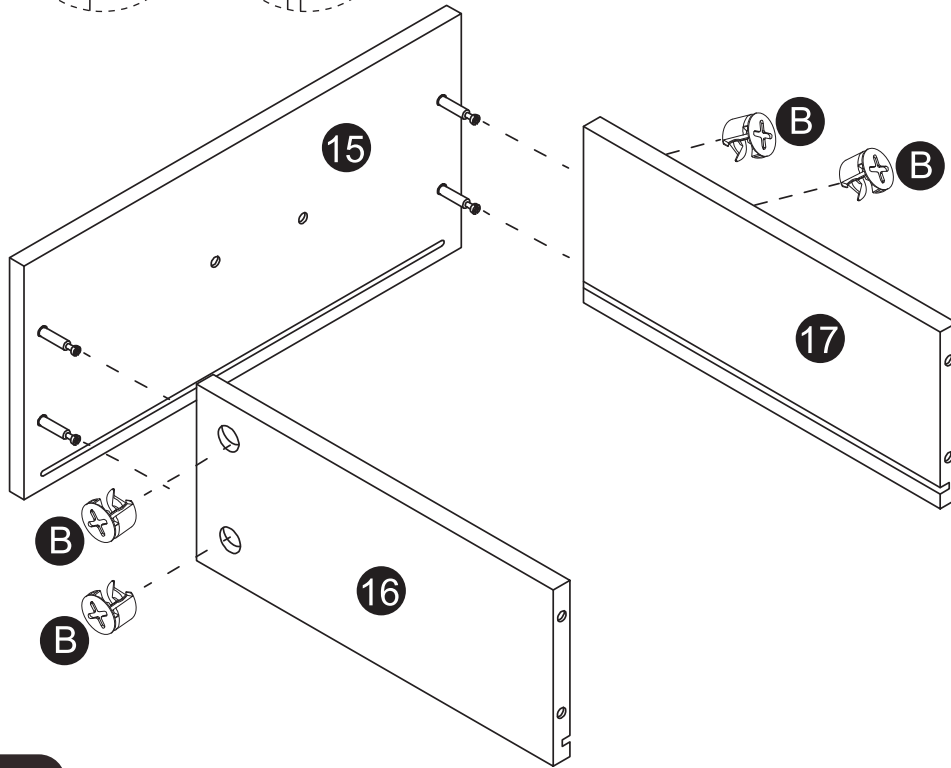
A x4	J x1	K x2	P x1



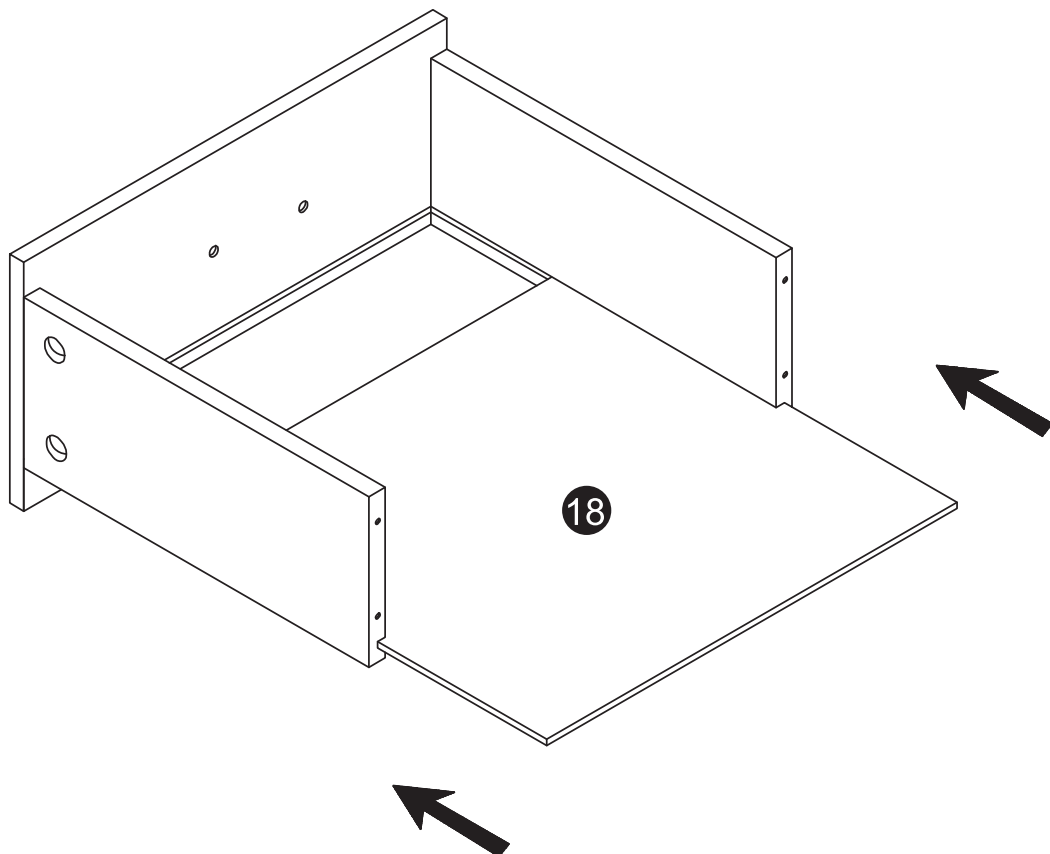
Step 18



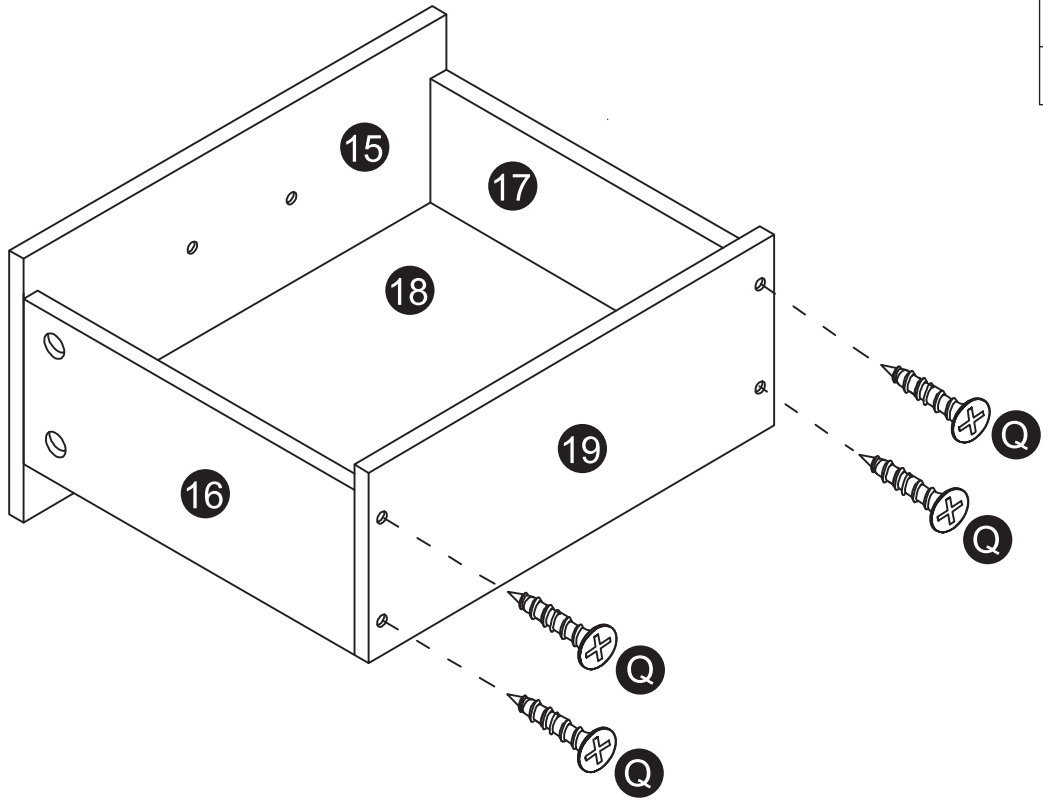
	
B x4	P x1


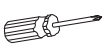


Step 19

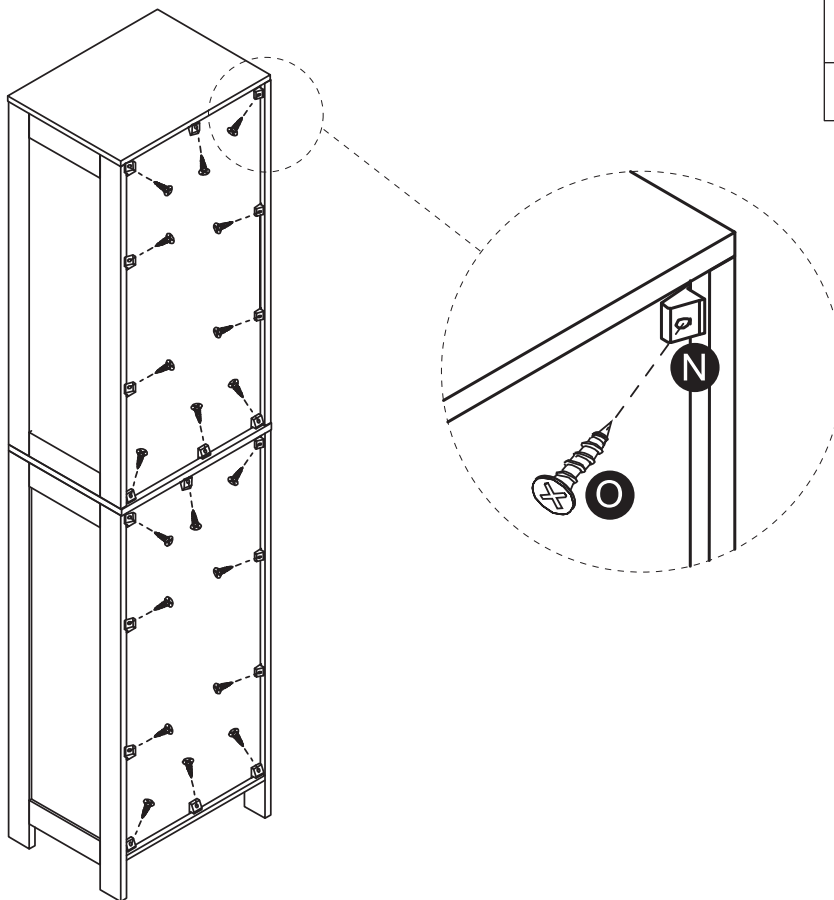




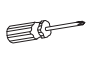
Step 20



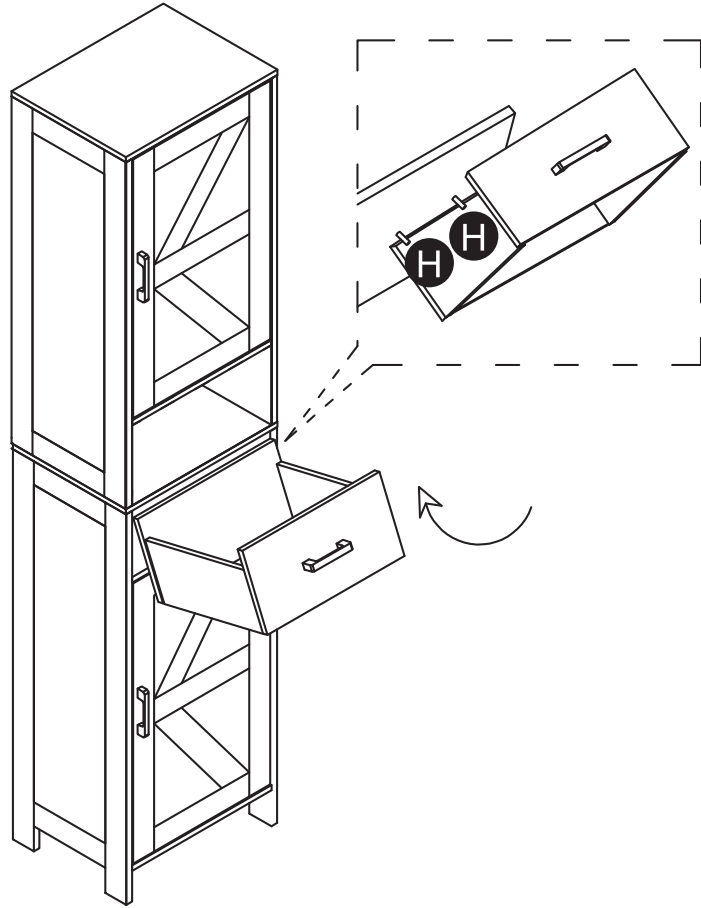
	
Q x4	P x1

Step 21

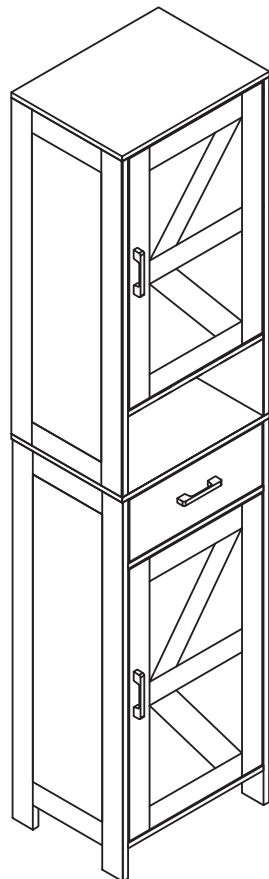


		
N x20	O x20	P x1

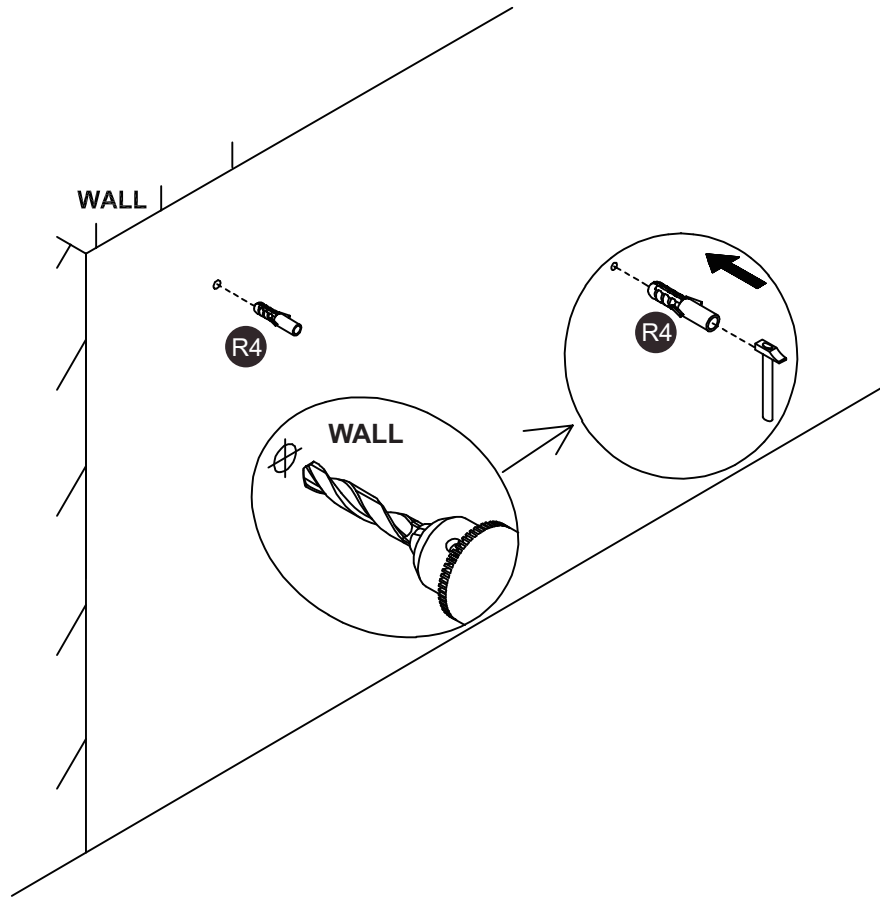
Step 22



Step 23



Step 24



Step 25

