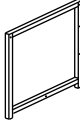
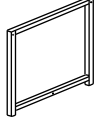
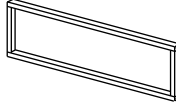
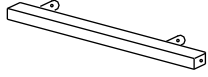

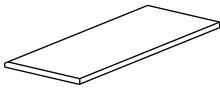
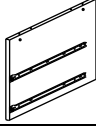
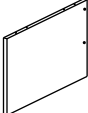

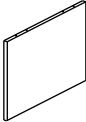
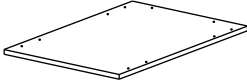
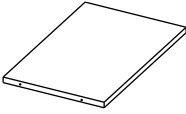
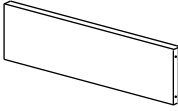
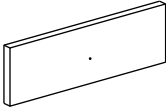

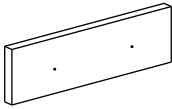
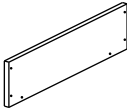
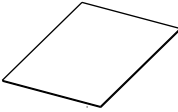
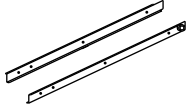



ASSEMBLY INSTRUCTION FOR ACME FURNITURE

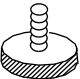
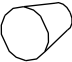
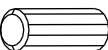
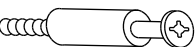

Thank you for purchasing this quality product. Be sure to check all packing material carefully for small parts which may have come loose inside the carton during shipment. Separate, identify and count all parts and metal hardware. Compare with parts list to be sure all parts are present. If any part(s) are missing or damaged, please contact your local furniture dealer. For efficient and speedy service, please indicate the model number and code letter of part(s) needed.

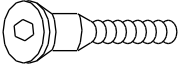
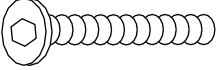


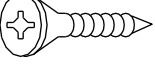


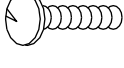


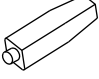
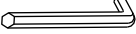
*****Do not fully tighten screws until fully assembled*****

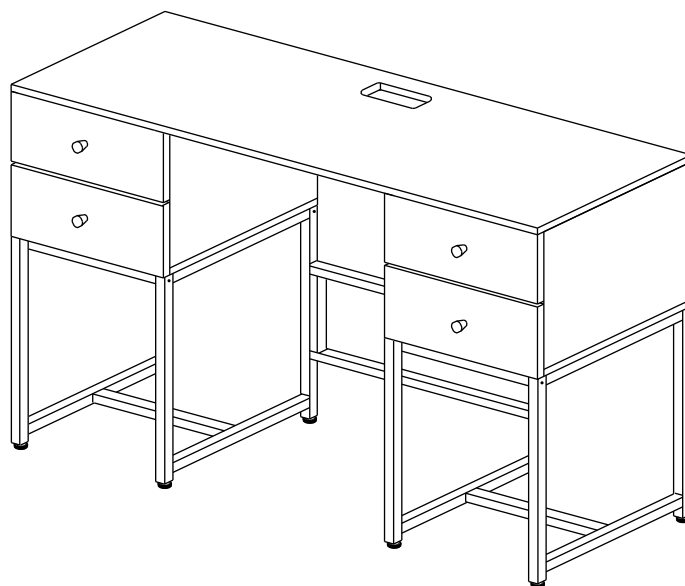
COMPONENT PARTS		
DESCRIPTION	PART NAME	Q'TY (PCS)
①	INSIDE LEG 	2
②	OUTSIDE LEG 	2
③	SIDE PANEL 	1
④	STRETCHER 	4
⑤	STRETCHER 	2
⑥	TOP BOARD 	1
⑦	LEFT BOARD 	1
⑧	RIGHT BOARD 	1
⑨	LEFT BOARD 	1
⑩	RIGHT BOARD 	1

⑪	BOTOM BOARD		2
⑫	BACK BOARD		2
⑬	SUPPORT BAR		1
⑭	DRAWER FRONT BOARD		4
⑮	DRAWER BACK BOARD		4
⑯	DRAWER FRONT BOARD		4
⑰	DRAWER SIDE BOARD		8
⑱	DRAWER BOTTOM BOARD		4
⑲	METAL GLIDES		4
⑳	USB		1

HARDWARE REQUIRED

Ⓐ		LEVELER	1/4" x 15mm	8 PCS
Ⓑ		KNOB	Ø19mm	4 PCS
Ⓒ		WOOD DOWEL	30mm	24 PCS
Ⓓ		CAM BOLT	Ø7 x 39mm	8 PCS
Ⓔ		CAM LOCK	Ø15 x 12mm	8 PCS

(F)		BOLT	7.5 x 50mm	4 PCS
(G)		BOLT	1/4" x 44mm	16 PCS
(H)		BOLT	1/4" x 12mm	8 PCS
(I)		SCREW	32mm	8 PCS
(J)		SCREW	25mm	32 PCS
(K)		SCREW	15mm	2 PCS
(L)		SCREW	12mm	24 PCS
(M)		BOLT	21mm	8 PCS
(N)		BOLT	19mm	4 PCS
(O)		BOLT COVER	11mm	16 PCS
(P)		GLUE		1 PCS
(Q)		ALLEN KEY	1/4"	1 PCS



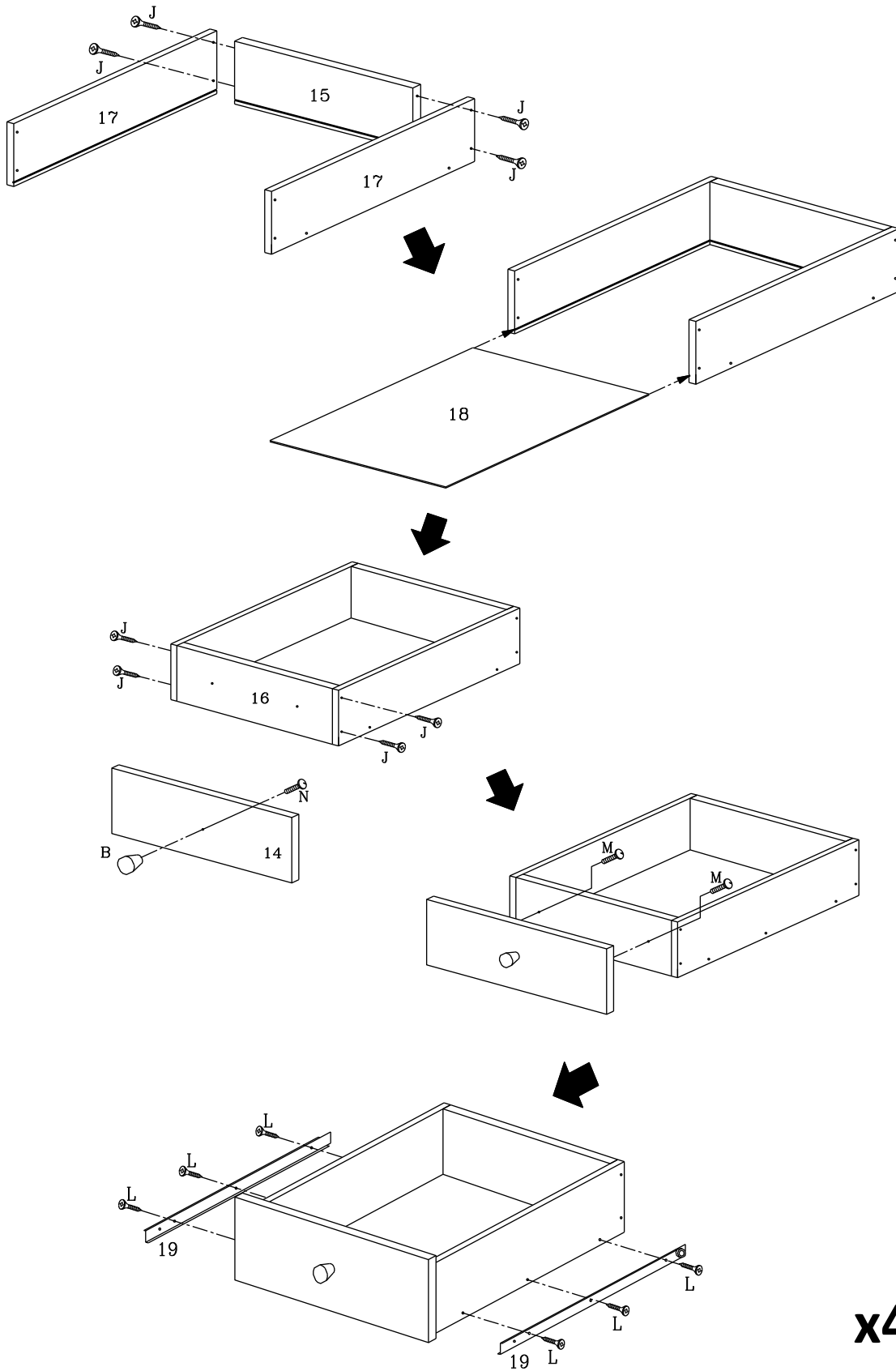
Attention

***Some number parts listed on the instruction sheet may not be in parts bag as they may be assembled.

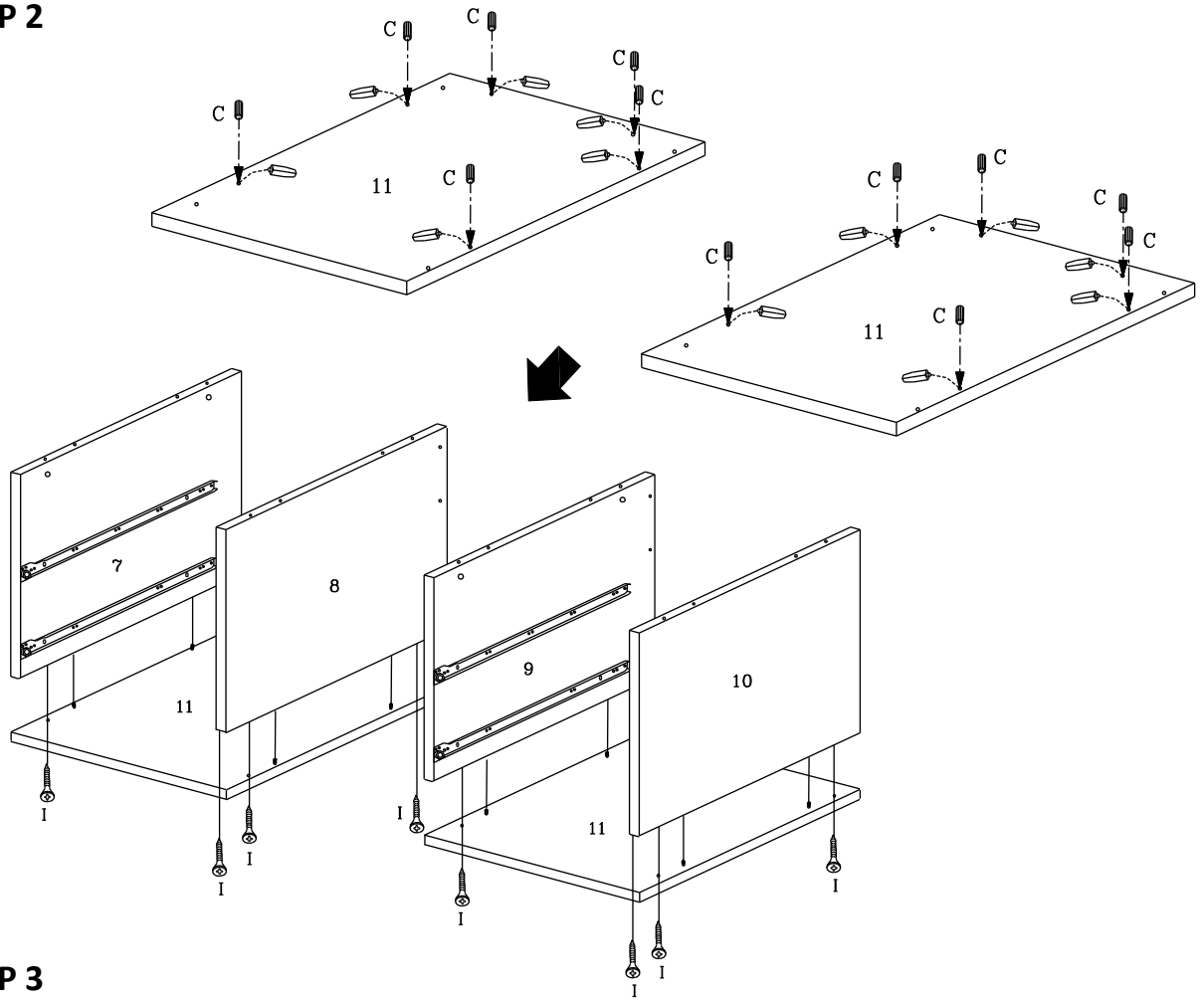
Carefully check parts and packing materials prior to ordering replacements.

How to assemble:

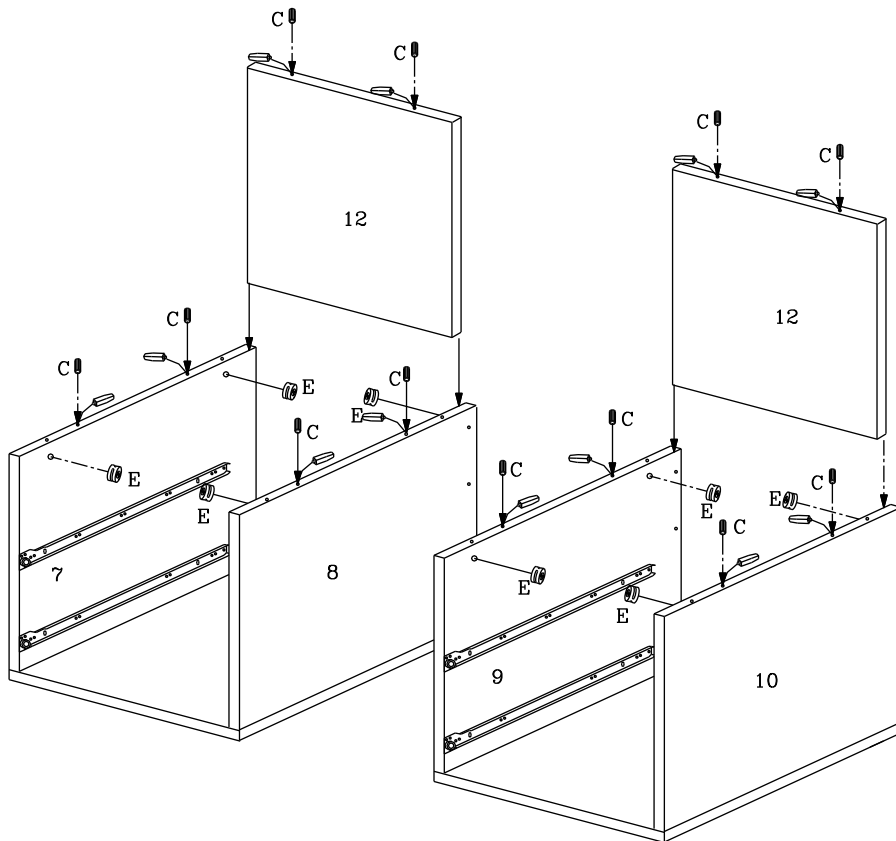
STEP 1



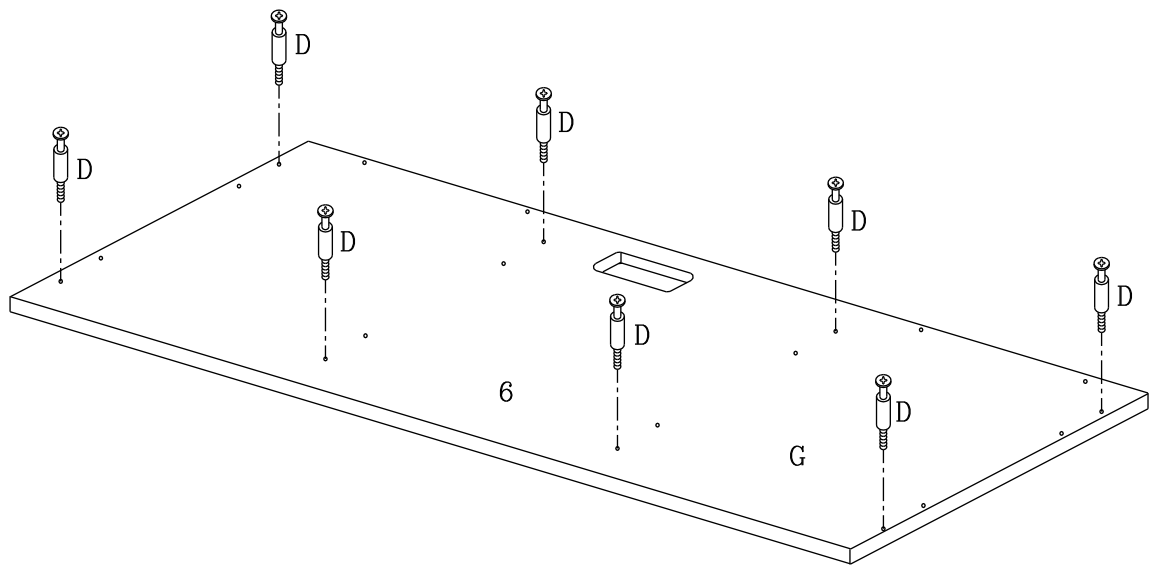
STEP 2



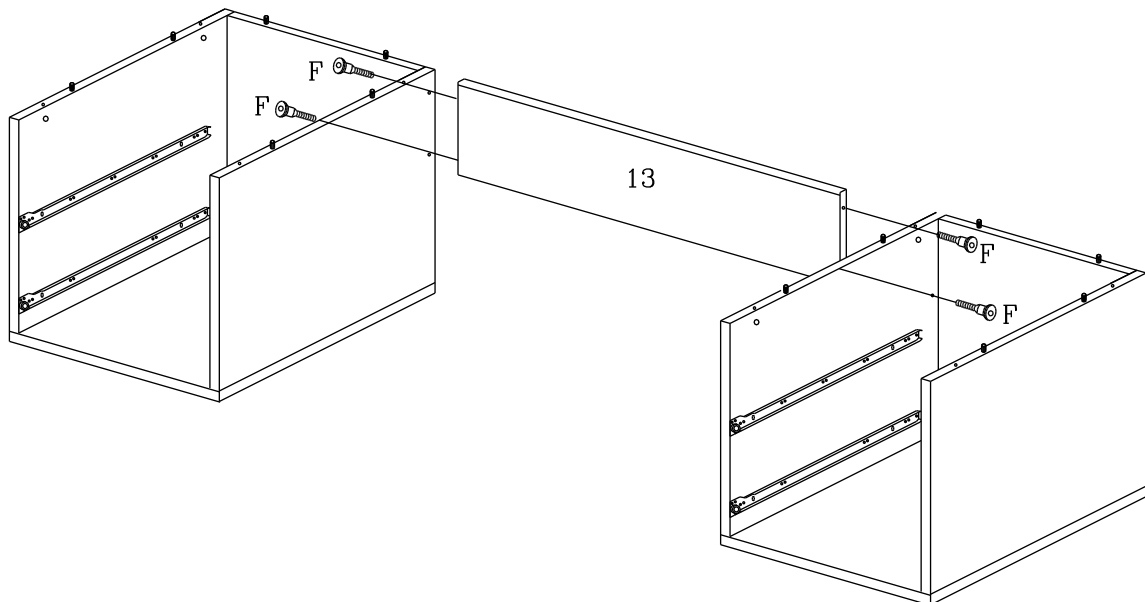
STEP 3



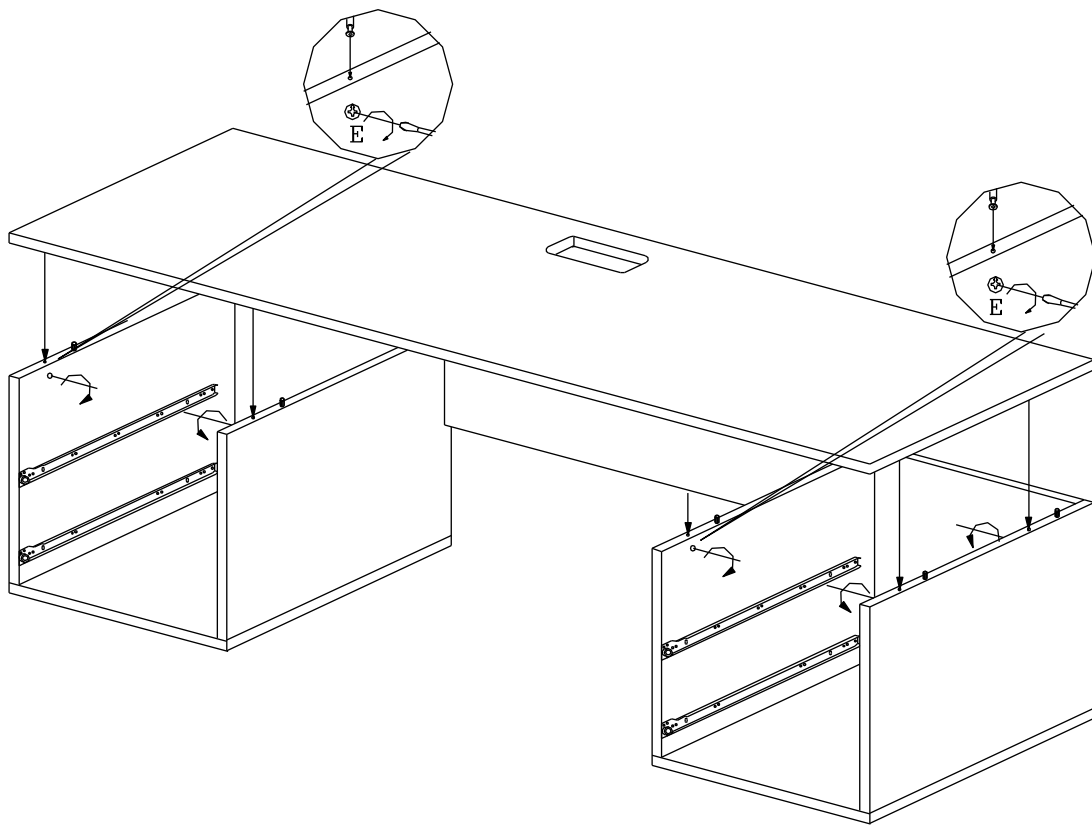
STEP 4



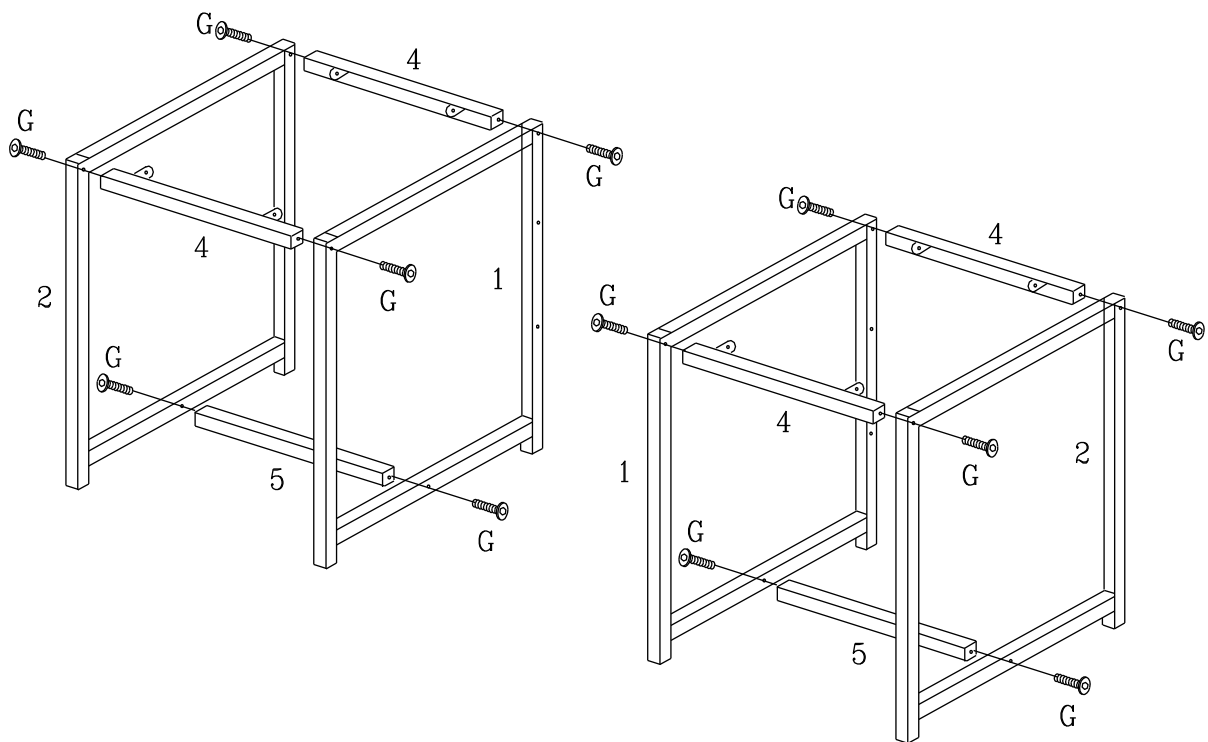
STEP 5



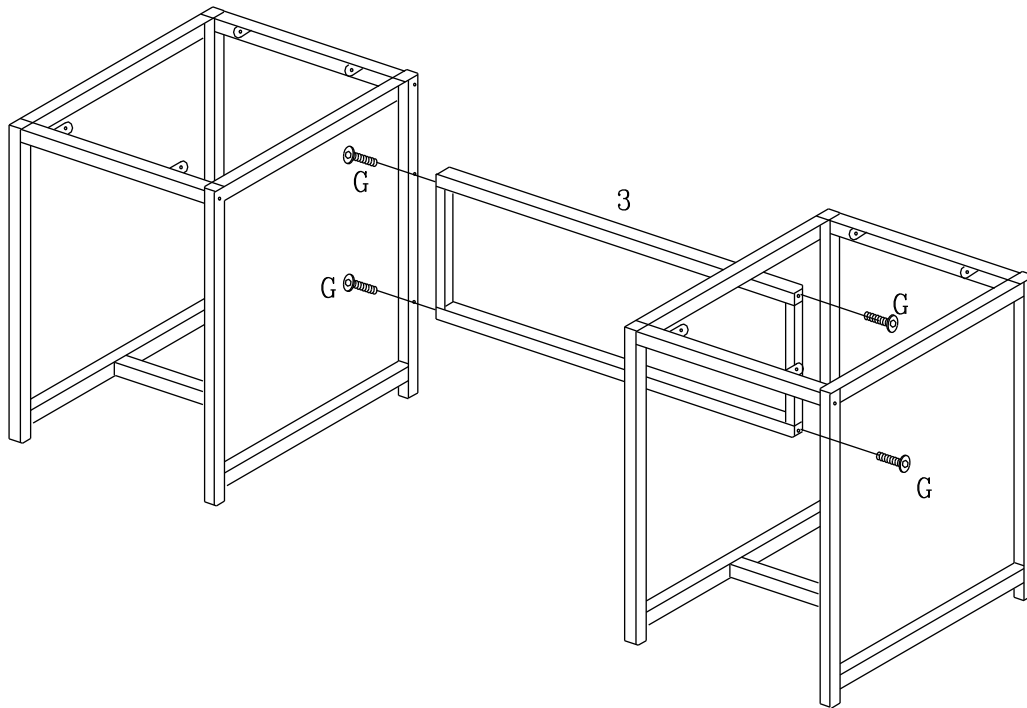
STEP 6



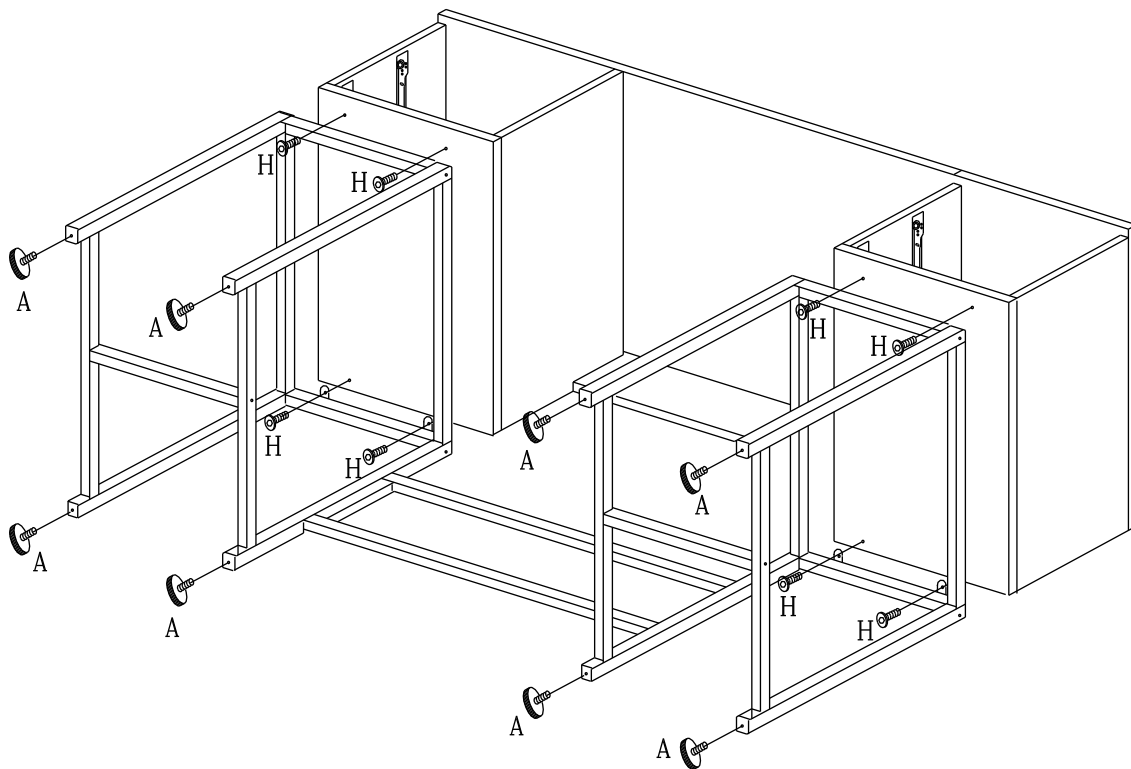
STEP 7



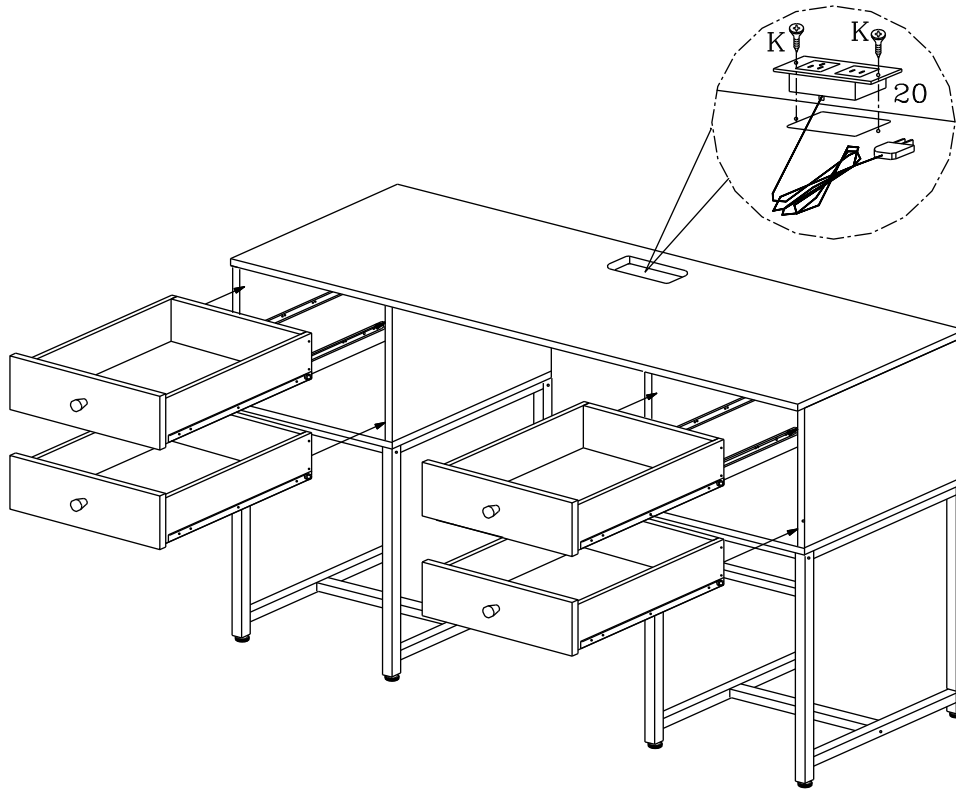
STEP 8



STEP 9



STEP 10



STEP 11

