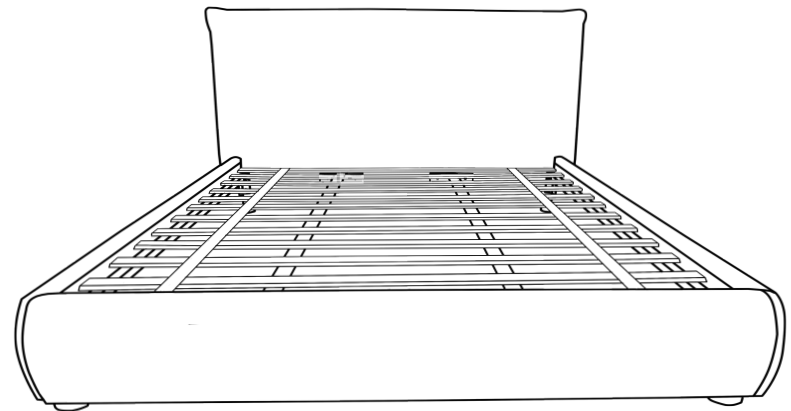


CALLAHAN KING BED

DESIGN # SFV4801-K

Assembly Instructions



Need help?

Feel free to contact us via email or call if you have any specific questions!

contact us:

cs@safavieh.com

866-422-9070

SAFAVIEH
C O U T U R E

Thanks for bringing Safavieh Couture into your home

Every thing we make is incredibly simple to set up, including your new bed. You won't need any additional tools.

Parts List

A x 1
HEADBOARD



B x 1
FOOTBOARD



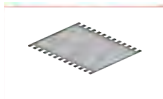
C x 2
SIDEBOARD



D x 4
BED LEGS



E x 1
SLAT



F x 2
CROSS SLAT



G x 4
SUPPORT LEG
FOR CROSS SLAT



Hardware List

HW1 x 12
Phillips Screws 4*2*40mm

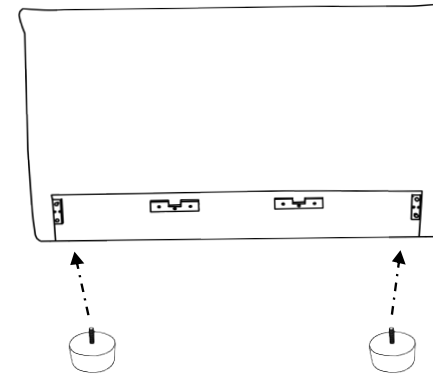


HW2 x 1
Wrench



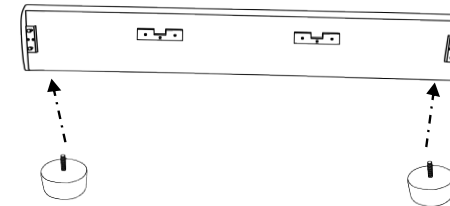
1

Screw 2 of the legs (D) into the headboard (A).



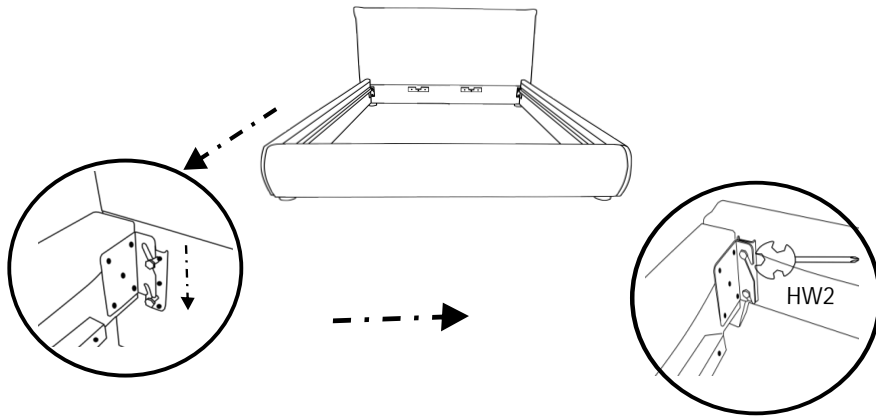
2

Screw 2 of the legs (D) into the footboard (B).



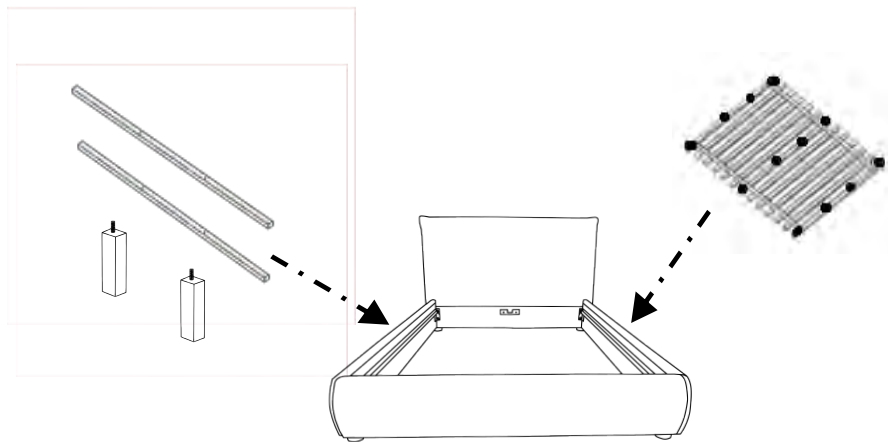
3

Attach the 2 sideboards (C) to the headboard (A) and footboard (B) by sliding the metal plates onto the bolts as shown. The 2 metal pieces should align.



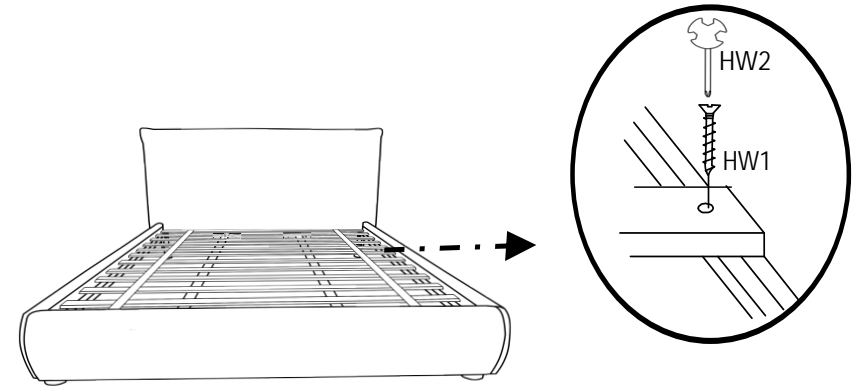
4

Screw the support legs (G) into the cross slats (F). Place them in the center of the bed. Place the slats (E) on top of the support legs and inside of the bed.



5

Attach the slats to the bed by using the wrench (HW2) to screw in the 12 screws (HW1) in the spots shown in step 4.



6

Place the bed in the place where you will use it. We'd love to see it – just tag us (we're @safavieh) and use the hashtag #safavieh on Instagram!

