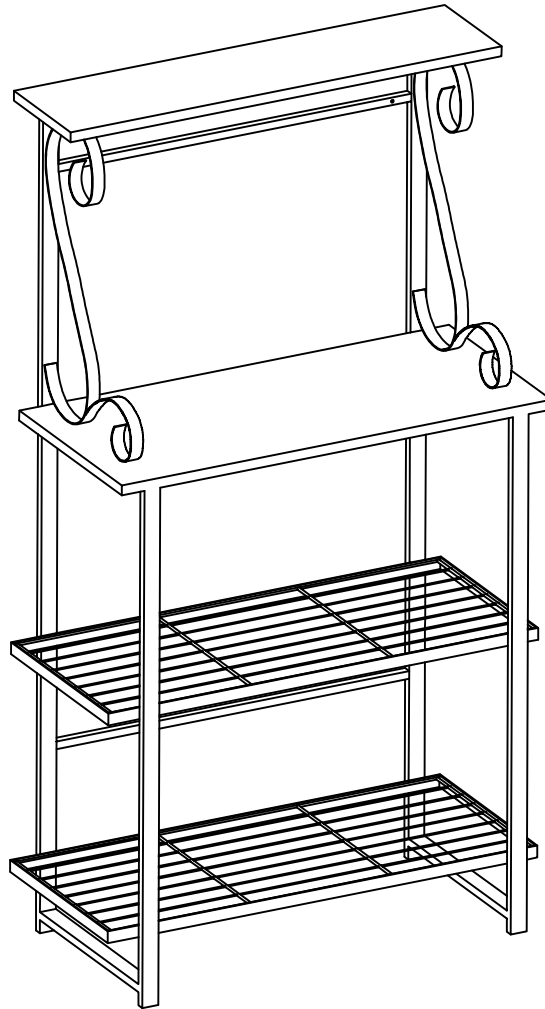


ASSEMBLY INSTRUCTIONS




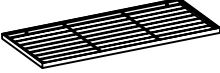




Bakers Rack






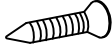
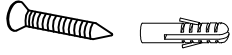
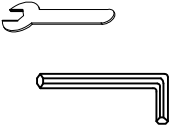
NOTE TO CUSTOMERS:

- For ease and speed of assembly we recommend that before you commence each step of the assembly that you identify all the parts required to complete that step.
- We recommend that where possible you allow sufficient space to assemble the item as close as possible to the place where it will be once assembled.
- For the protection of your furniture we recommend that the product is placed on protected surfaces during assembly to prevent any damage.
- During assembly do not over tighten, as this may damage the product.
- Please ensure you retain all the product packaging until the item completely assembled.
- Please periodically check all fittings and re-tighten as necessary.
- Never allow any liquid to remain on your furniture as absorption can cause the wood to warp or the finish to de-laminate.
- It is recommended that this item should be assembled by two adults.


Part List

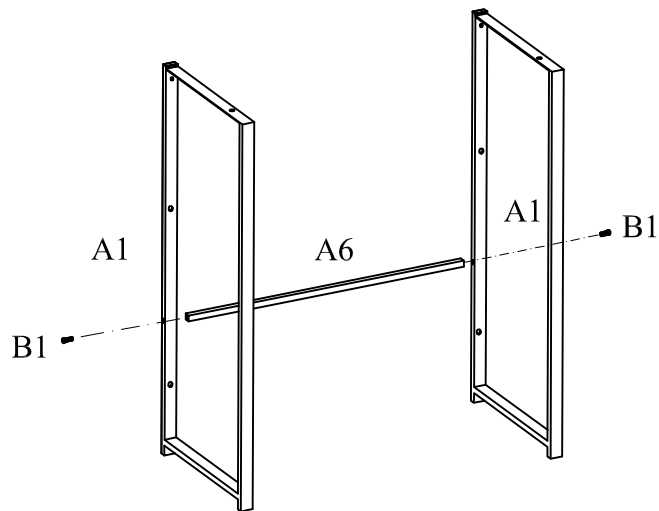
A1	Quantity of 2	A2	Quantity of 1	A3	Quantity of 1	A4	Quantity of 2	A5	Quantity of 1
									
Lower Side Frame		Upper Left Side Frame		Upper Right Side Frame		Lower Net Rack		Upper Connect Bar	
A6	Quantity of 1	A7	Quantity of 1	A8	Quantity of 1				
									
Lower Connect Bar		Middle Panel		Top Panel					

Hardware List

B1	Quantity of 4	B2	Quantity of 10	B3	Quantity of 2	B4	Quantity of 4	B5	Quantity of 2	
										
Bolt		Bolt		Bolt and Nut		Screw		Anchor and Screw		Allen Key

STEP 1

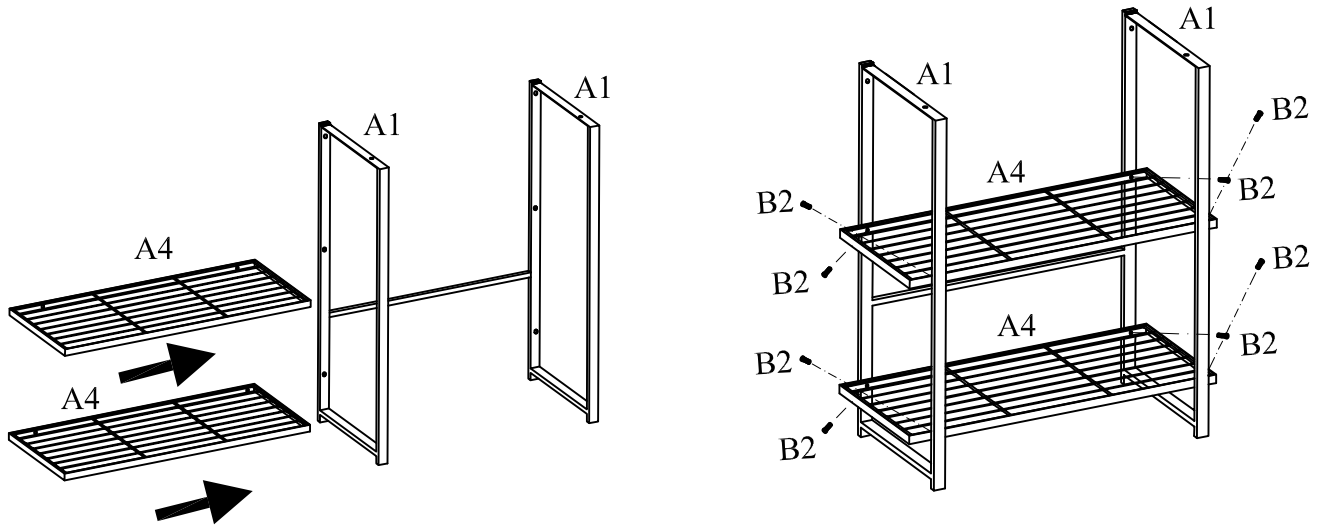
B1  2pcs



Assemble Lower Side Frames A1 to Lower Connect Bar A6 using Bolts B1.
 Note: Please do not tighten Bolts B1 until Step 5.

STEP 2

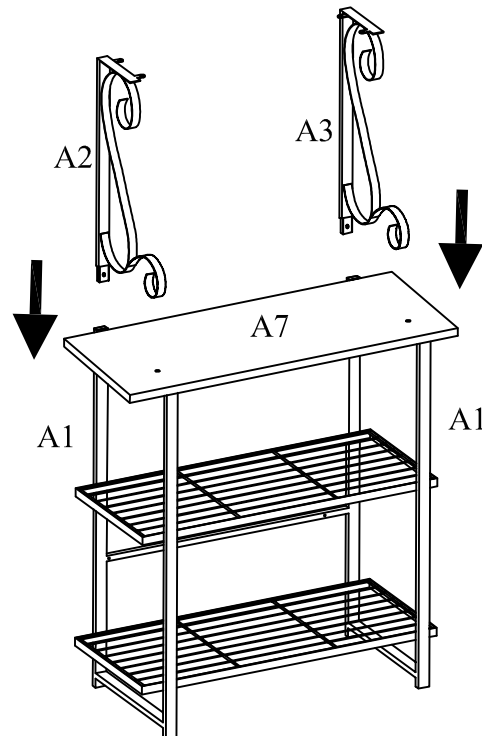
B2  8pcs



Insert and assemble Lower Net Racks A4 to Lower Side Frames A1 using Bolts B2 as shown above.

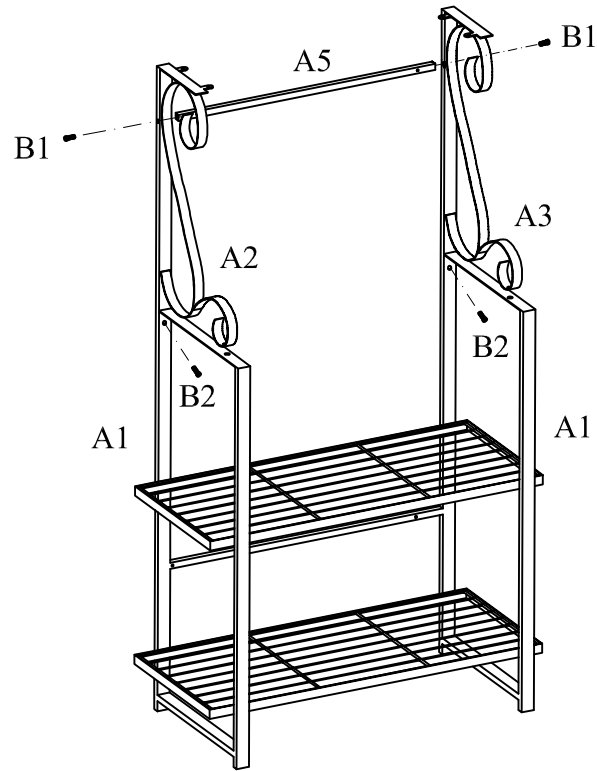
Note: Please do not tighten Bolts B2 until Step 5.



STEP 3



Put Middle Panel A7 onto Lower Side Frames A1, then insert Upper Side Frames A2&A3 to Lower Side Frames A1 as shown above.

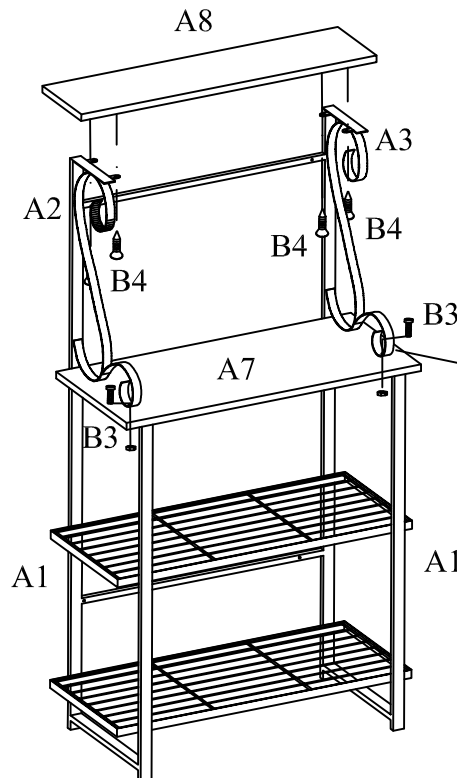
STEP 4





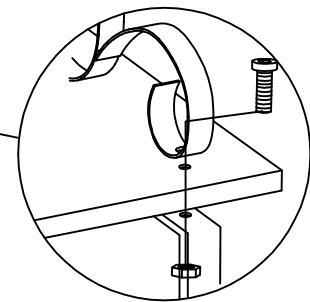
B1		2pcs
B2		2pcs

- 1). Assemble Upper Connect Bar A5 to Upper Side Frames A2&A3 using Bolts B1.
 - 2). Assemble Upper Side Frames A2&A3 to Lower Side Frames A1 using Bolts B2.
- Note: Please do not tighten Bolts B1&B2 until Step 5.

STEP 5




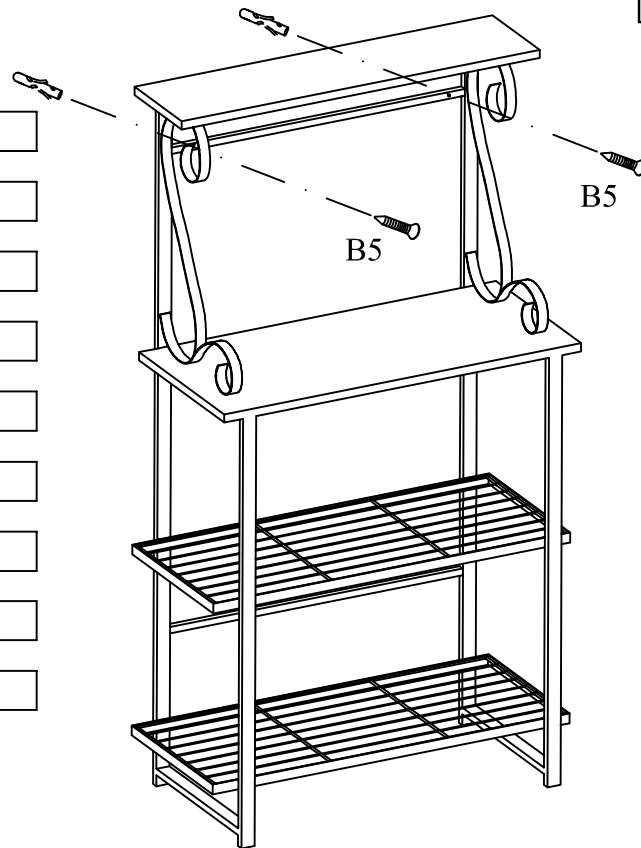
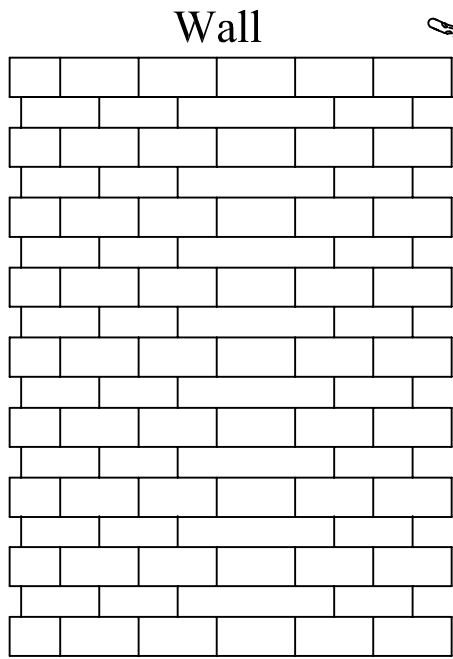
B3		2sets
B4		4pcs



- 1). Assemble Upper Side Frames A2&A3 to Middle Panel A7 and Lower Side Frames A1 using Bolt and Nuts B3 as shown above.
 - 2). Assemble Top Panel A8 to Upper Side Frames A2&A3 using Screw B4.
- Note: Please tighten all bolts at this point.

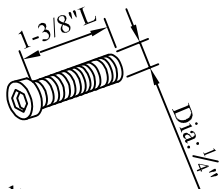
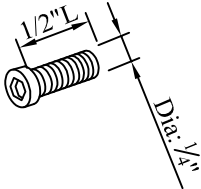
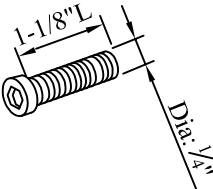
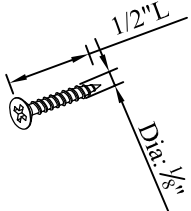
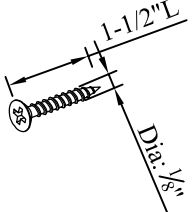
STEP 6

B5  2sets



For your safety, please attach this unit to the wall by Anchor and Screws B5.

APPENDIX: Dimension of Hardwares in this AI.

<p>B1.</p>  <p>Bolt</p>	<p>B2.</p>  <p>Bolt</p>	<p>B3.</p>  <p>Bolt</p>	<p>B4.</p>  <p>Screw</p>
<p>B5.</p>  <p>Screw</p>			