

Read this instruction carefully. See hardware and furniture part list for guidance. Be sure all parts are complete, before you assemble. Place all wooden furniture parts on a clean and flat soft surface to prevent from being scratched. Follow the figure to start assembling.

CAUTION : 1. Do not FULLY - TIGHTEN the nuts or nuts bolts until they are ready for assembly.
 2. Do not OVER - TIGHTEN the nuts or bolts to avoid causing damages to the thread.
 3. Keep all hardware parts out of reach of children.

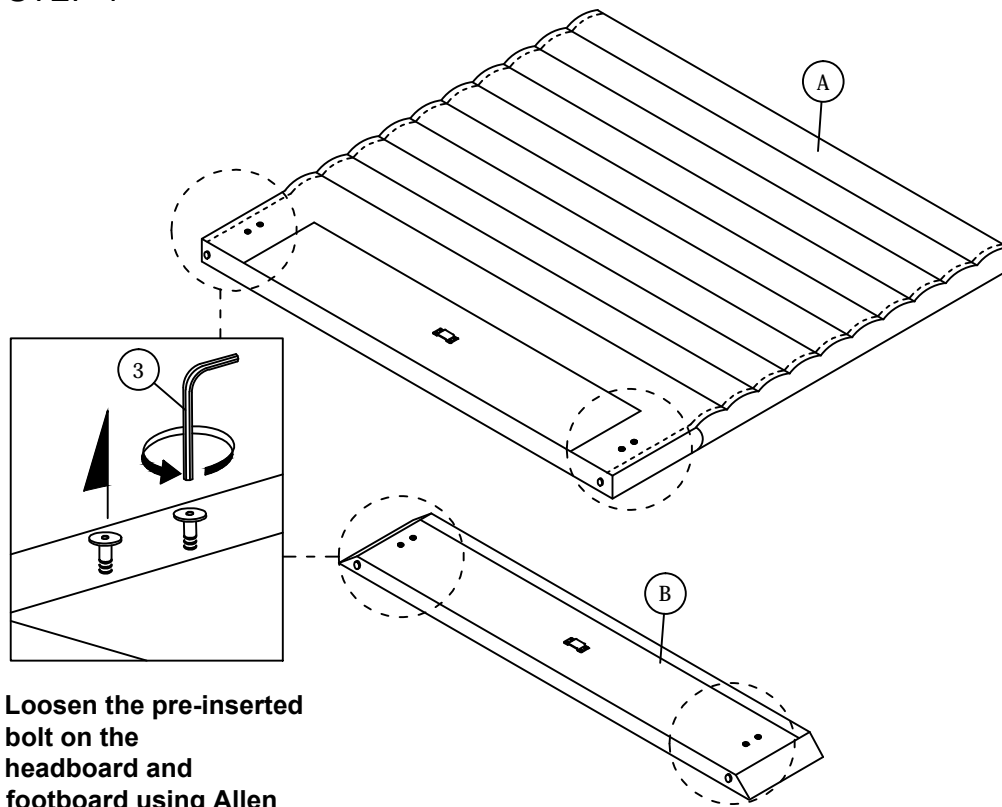
NOTE : THE LIST AND QUANTITY SHOWN ARE FOR 1 UNIT ASSEMBLY.

Tools needed : Screwdriver (not provided).

PART LIST			
ITEM	DESCRIPTION	BOX	QTY
A	HEADBOARD	1	1 PC
B	FOOTBOARD	2	1 PC
C	SIDE RAIL	2	2 PCS
D	CENTER RAIL	2	1 PC
E	CENTER SUPPORT LEG	2	3 PCS
F	CENTER SUPPORT	2	2 PCS
G	BED SLAT	2	26 PCS

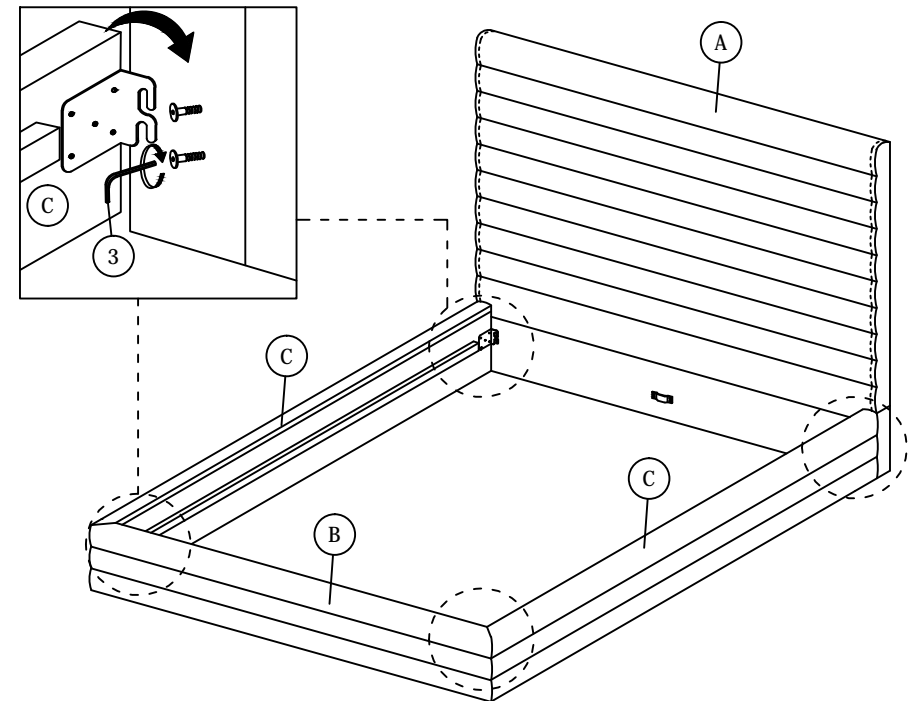
HARDWARE LIST (BOX : 2)		
ITEM	DESCRIPTION	QTY
1	WOOD SCREW M4 x 20mm 	2 PCS
2	WOOD SCREW M3.5 x 16mm 	8 PCS
3	M5 ALLEN KEY (BALL SHAPE) 	1 PC
4	BED SLAT SIDE FITTER 	26 PCS
5	BED SLAT CENTER FITTER 	13 PCS

STEP 1



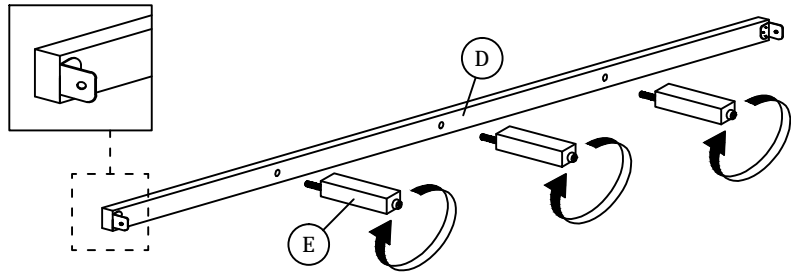
Loosen the pre-inserted bolt on the headboard and footboard using Allen key ball shape (3).

STEP 2



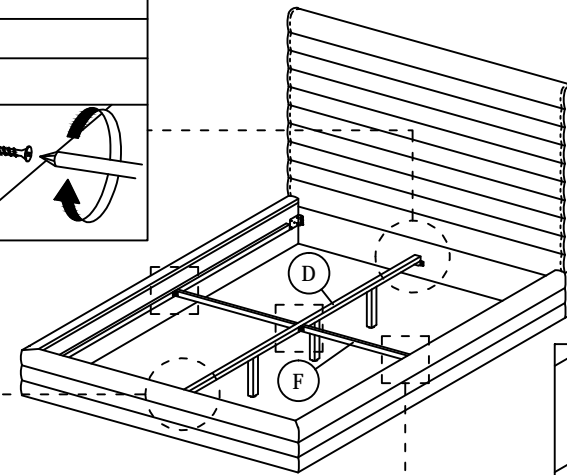
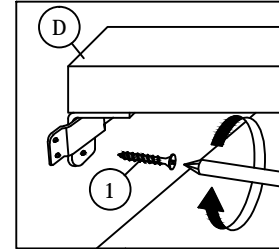
ASSEMBLY INSTRUCTIONS

STEP 3

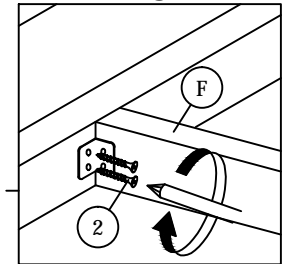


STEP 4

STEP 4.1

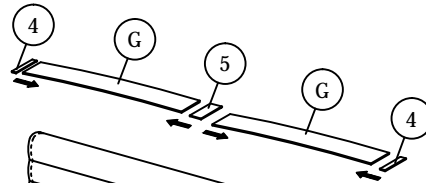
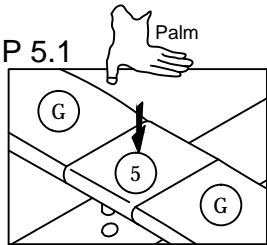


STEP 4.2

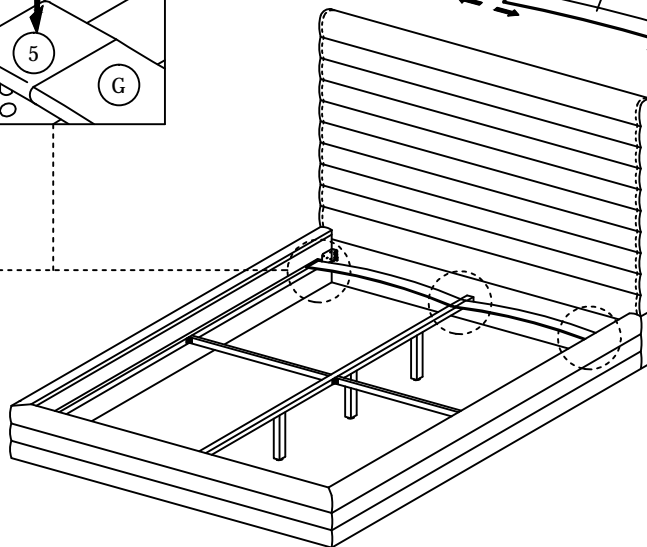
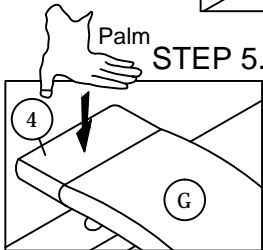


STEP 5

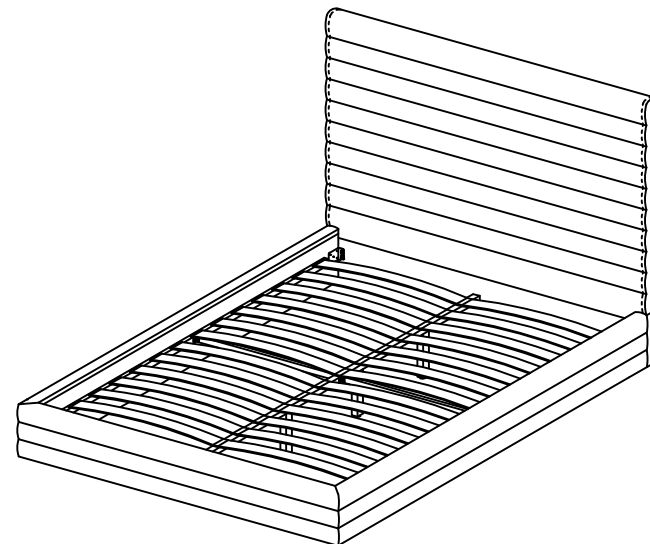
STEP 5.1



STEP 5.2



STEP 6



* When moving the bed position, the center support legs must be adjust to be straight to avoid any broken problem.