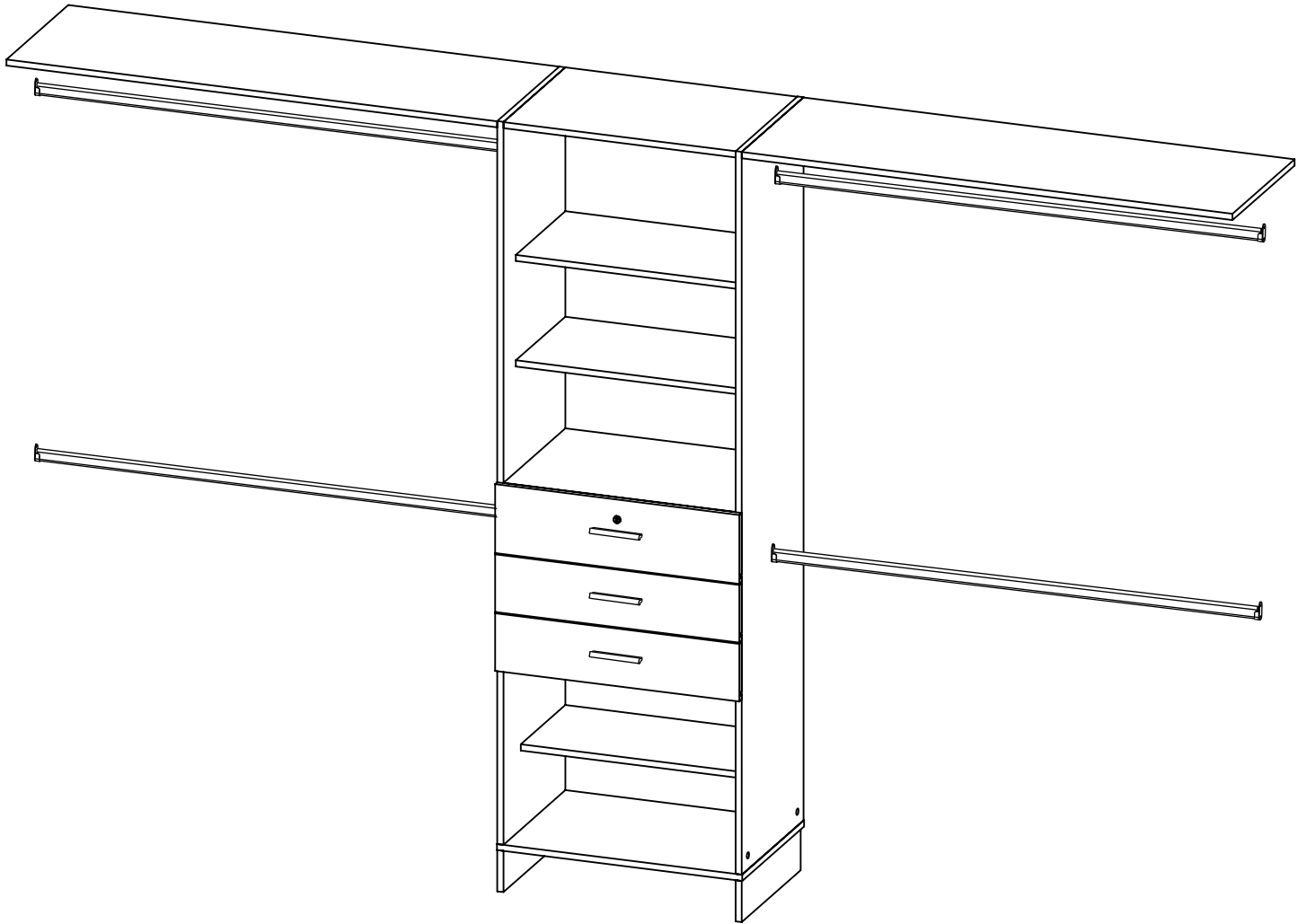


ASSEMBLY INSTRUCTIONS

INSTRUCCIONES DE ENSAMBLE



Height: 73.89 in Alto: 187,7 cm
Width: 118,11 in Ancho: 300 cm
Depth: 15.74 in Fondo: 40 cm

LOT N°

REF./SKU.CLC 5363

IF ANY PARTS ARE BROKEN OR MISSING PLEASE
CONTACT US AT: 1-888-391-01-66 /
customerservicetuhome@rtā.com.co
OUR CUSTOMER SERVICE TEAM WILL PROVIDE
YOU HELP TO RESOLVE ANY ISSUES IMMEDIATELY

PLEGO WARDROBE

Closet Plego



IMPORTANT RECOMMENDATIONS

Do not paint the cabinet.

The cabinet **MUST** be used exclusively indoors, do not expose to direct sun.

Clean metallic hardware with a dry cloth.

Do **NOT** overload the cabinet (see suggested loads).

Do not hit or hammer the cabinet (just when indicated).

Clean with a slightly damp cloth, use gentle soaps.

Do not drag, lift and move between two people.

Avoid direct contact with water, fire or exposure to heat sources.

RECOMENDACIONES IMPORTANTES

No pintar el mueble.

El mueble debe ser usado únicamente en interiores, no exponer al sol directo.

Limpiar los herrajes metálicos con un paño seco.

NO sobrecargar el mueble (ver las cargas sugeridas).

No golpear ni martillar el mueble (solo cuando se indique).

Limpiar con un paño ligeramente húmedo, usar jabones suaves.

No arrastre el mueble, levántelo entre dos personas.

Evite el contacto directo con el agua, el fuego o la exposición a fuentes de calor.



WARNING

Never allow children to climb or manipulate the cabinet, furniture tip over can cause serious injuries or death.



ADVERTENCIA

Nunca permita que los niños escalen o manipulen el mueble, la caída de este puede provocar lesiones graves o la muerte.

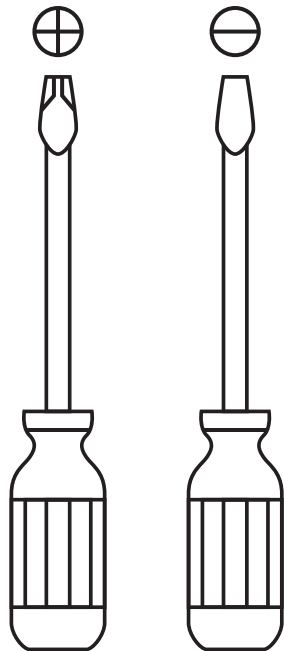
INDEX

Assembly Hardware.....	4
Assembly Parts.....	5
Suggested Loads.....	6
Assembly Recommendations.....	6
Assembly Steps.....	7-24
Warranty.....	25

ÍNDICE

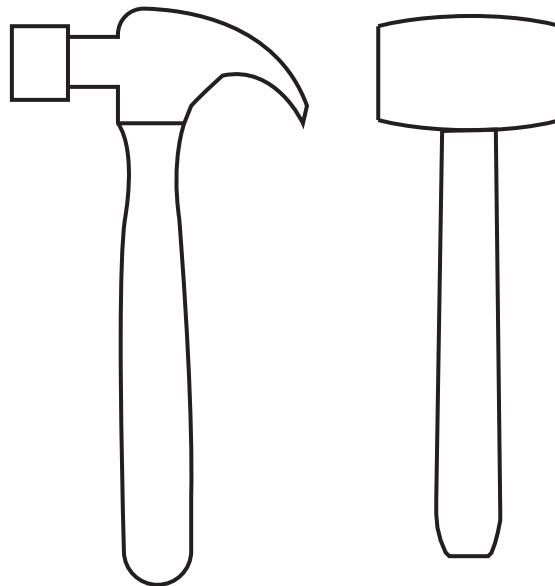
Herrajes para Armado.....	4
Piezas de Armado.....	5
Cargas Sugeridas.....	6
Recomendaciones de Ensamble.....	6
Pasos de Armado.....	7-24
Garantía.....	25

REQUIRED TOOLS*



*Not included, and not shown actual size.

HERRAMIENTAS NECESARIAS*



*No incluidas y no se muestran en tamaño real.

ASSEMBLY HARDWARE

HERRAJES PARA ARMADO

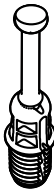
Please check that the hardware content is correct. If any item is missing, please call to our customer service line.

Compruebe que el contenido de los herrajes sea el correcto. En caso de que falte alguna pieza, por favor llame a nuestra línea de atención al cliente.



x6

Nail-on Glide
Deslizador Puntilla



x37

Spreading Bolt
Perno Minifix



x50

Wood Dowel
Tarugo



x37

Minifix Cams
Minifix



x41

Cover Caps
Color 1
Tapa Adhesiva
Minifix Color 1



x2

Glue
Pegante



x34

Sheet Metal Screw
Tornillo Lamina



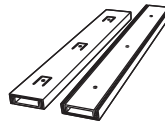
x12

Drywall Screw
Tornillo de
Ensamble 2"



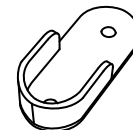
x18

Drywall Screw
Tornillo de
Ensamble 1 1/8"



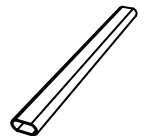
x3

Drawer Slides
(Screws included)
Riel
(Incluye tornillos)



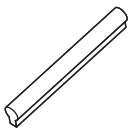
x8

Rod Support
Soporte Tubo



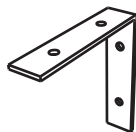
x4

Closet Rod
Tubo Ovalado



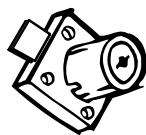
x3

Handle
(screws included)
Manija
(incluye tornillos)



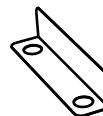
x12

Wide Brace
Platina en ángulo L



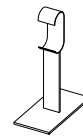
x1

Lock with Key
Cerradura de
Incrustar
(incluye llaves)



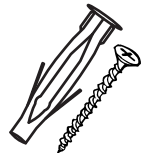
x1

Platinum Lock
Platina Cerradura



x2

Roof Rod Support
+ Screws
Soporte Tubo
Ovalado para Techo
+ Tornillos



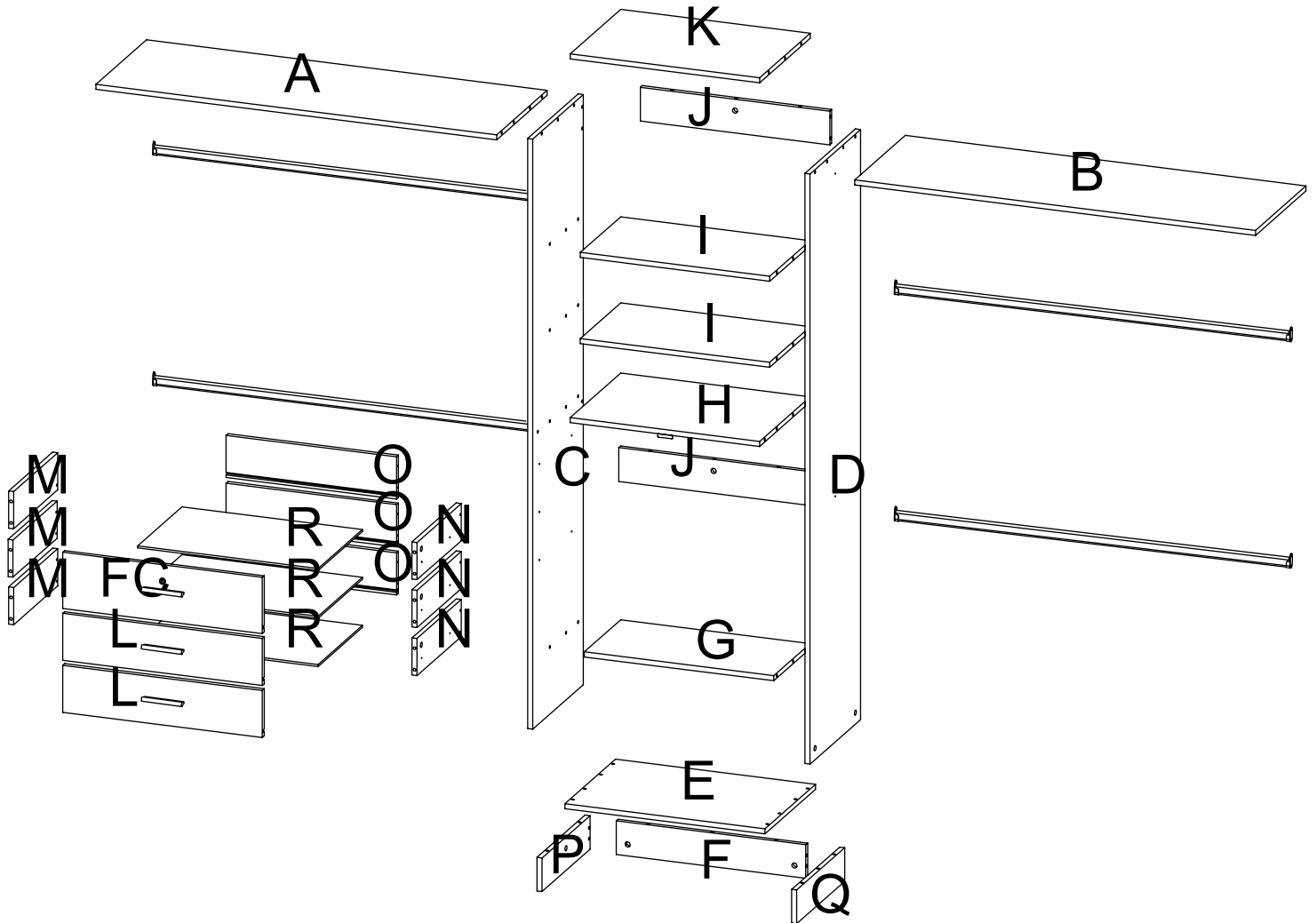
x24

Drywall Screw+
Wall Anchor
Chazo Mariposa+
Tornillo Ensamble

Hardware items are NOT shown actual size.
Los herrajes no se muestran el tamaño real.

ASSEMBLY PARTS

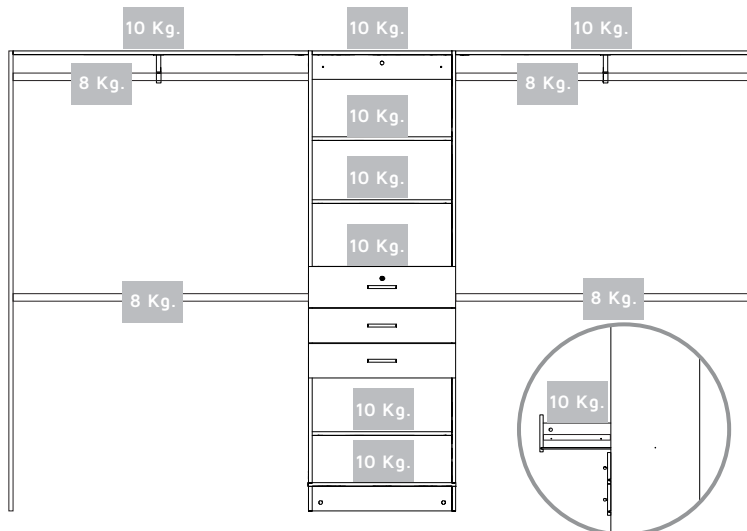
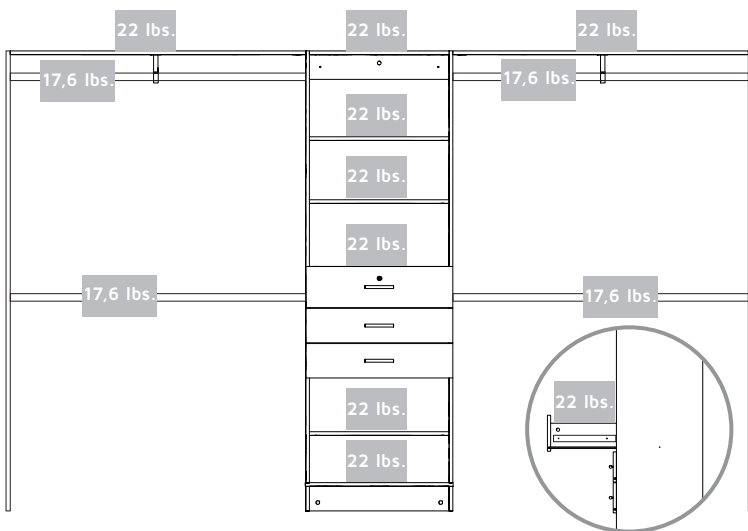
PIEZAS DE ARMADO



A - x1	H - x1	N - x3
B - x1	I - x2	O - x3
C - x1	J - x2	P - x1
D - x1	K - x1	Q - x1
E - x1	L - x2	R - x3
F - x1	FC - x1	
G - x1	M - x3	

MAX SUGGESTED LOADS

CARGAS MÁXIMAS SUGERIDAS



ASSEMBLY RECOMMENDATIONS

Two people are recommended to assemble the product.

Assemble the cabinet on a flat, smooth surface, preferably on a carpeted floor or the carton box of the product.

Carefully read the assembly instructions and identify every wood and hardware part before start assembling the cabinet.

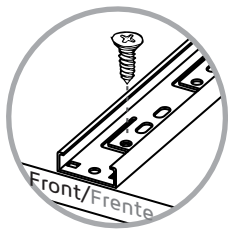
RECOMENDACIONES DE ENSAMBLE

Ensamble el mueble entre dos personas.

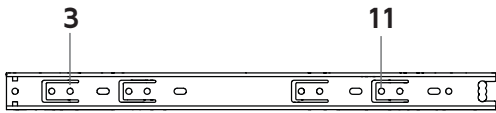
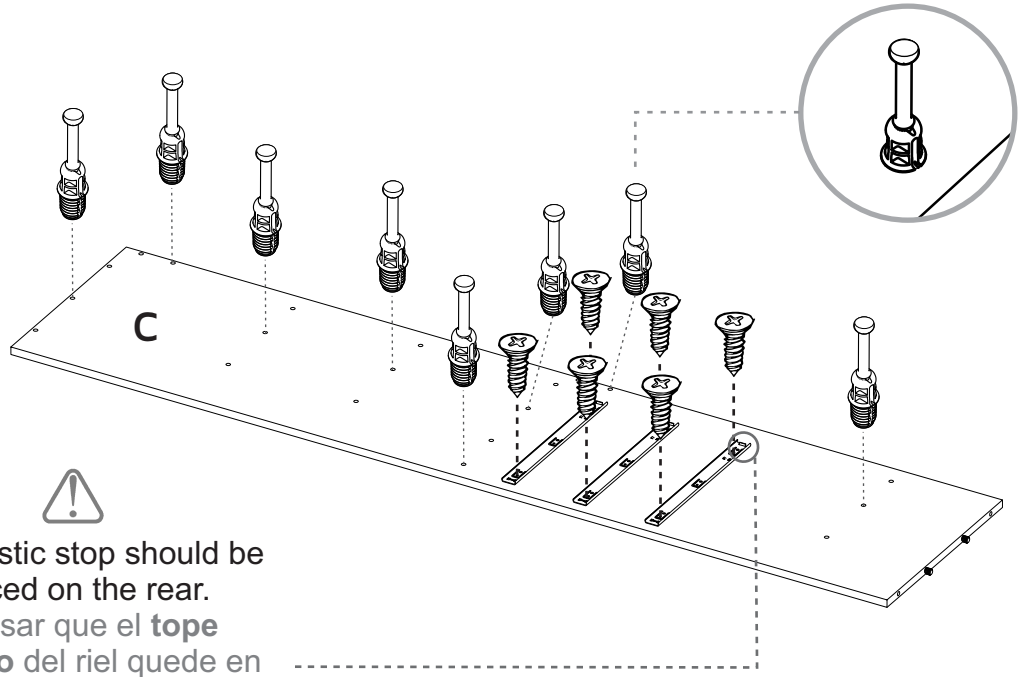
Ensamble el mueble sobre una superficie plana y lisa, preferiblemente sobre un tapete o el cartón de la caja

Lea cuidadosamente las instrucciones e identifique todas las piezas y herrajes antes de empezar a armar el mueble.

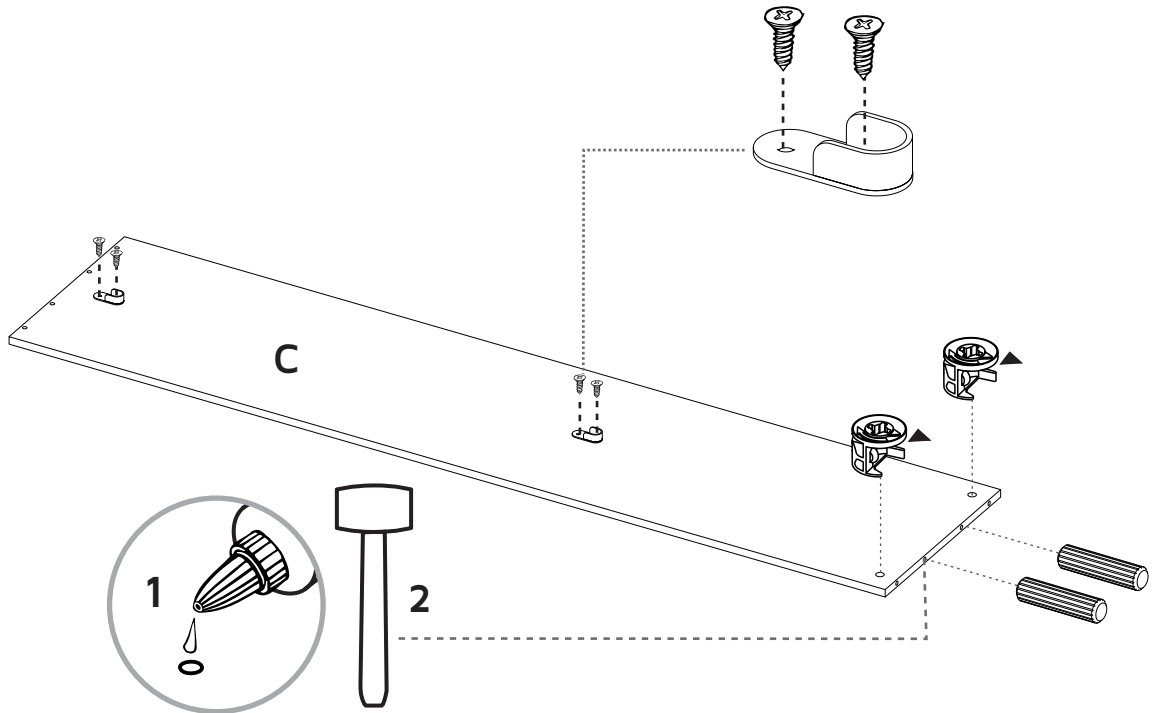
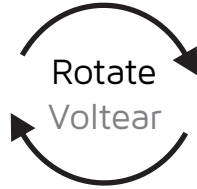
1



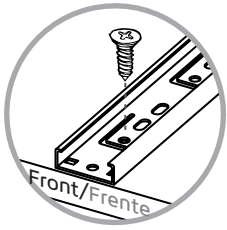
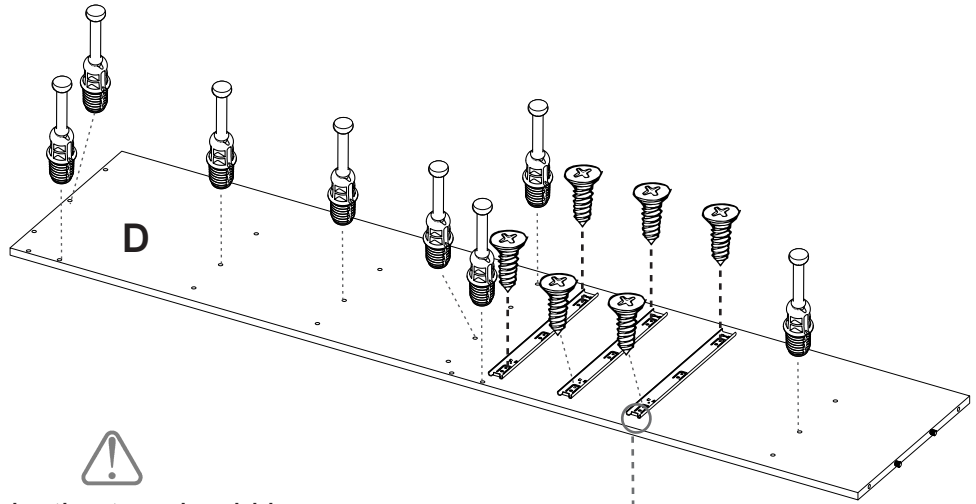
The plastic stop should be placed on the rear.
 Revisar que el tope plástico del riel quede en la PARTE TRASERA/



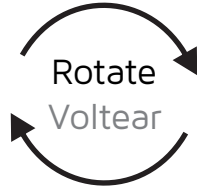
2



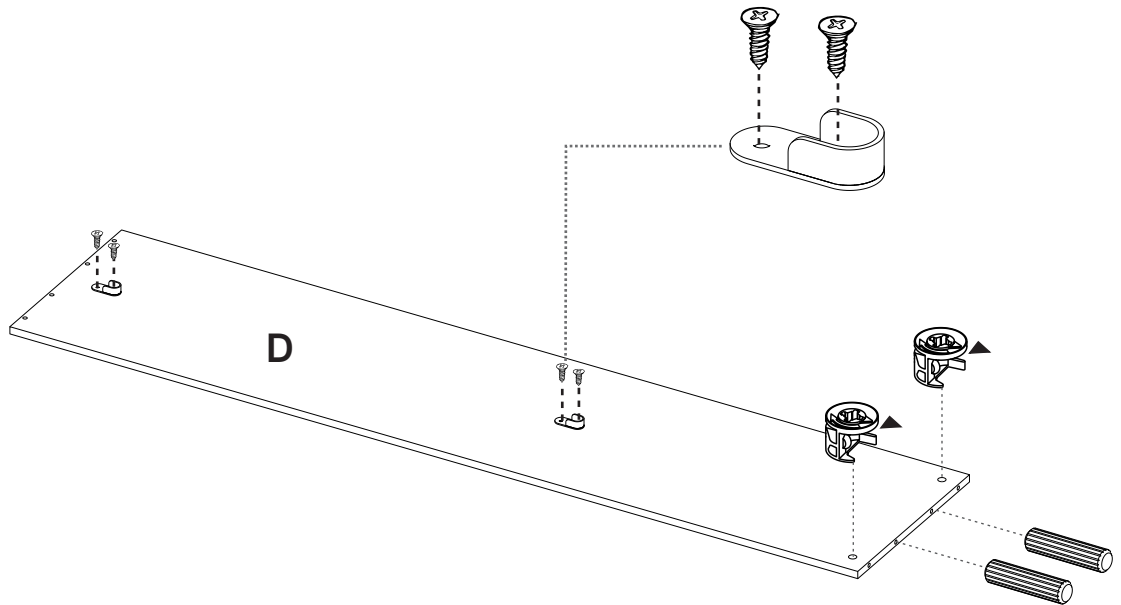
3



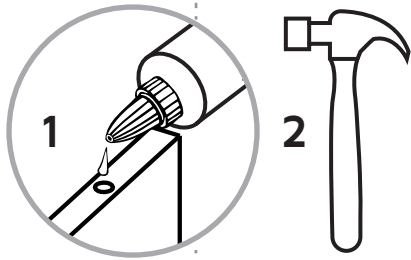
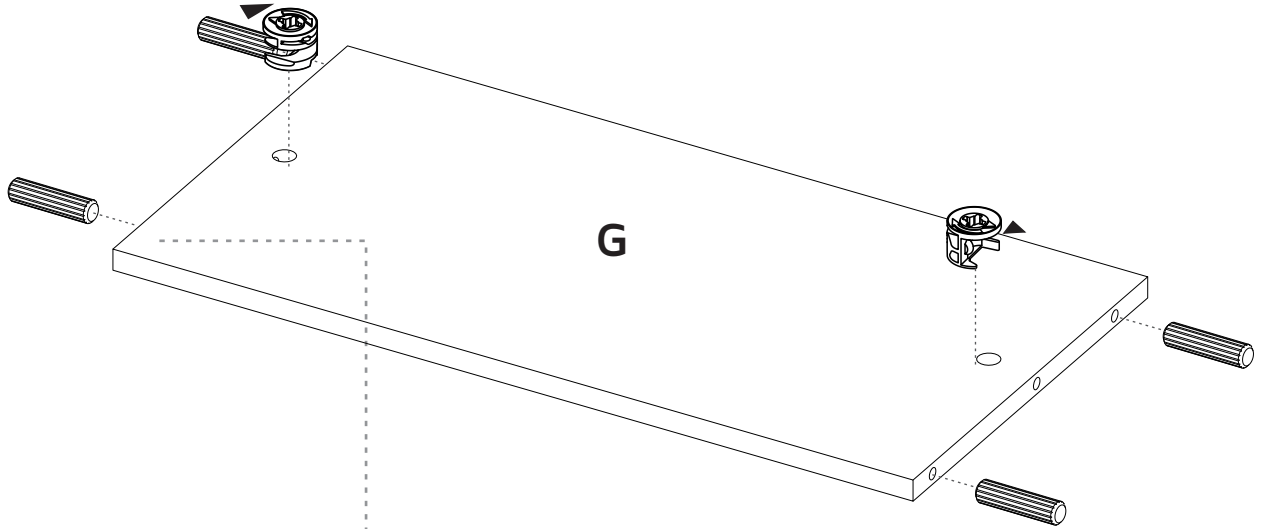
The plastic stop should be placed on the rear.
Revisar que el **tope plástico** del riel quede en la PARTE TRASERA/



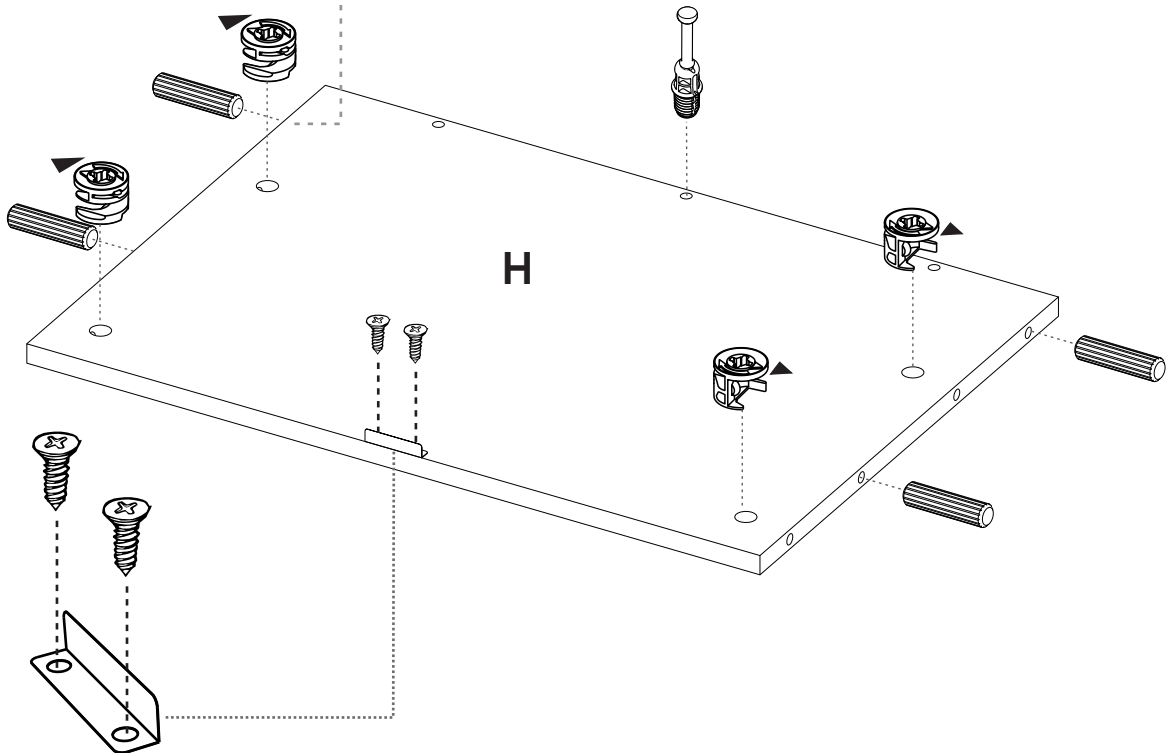
4



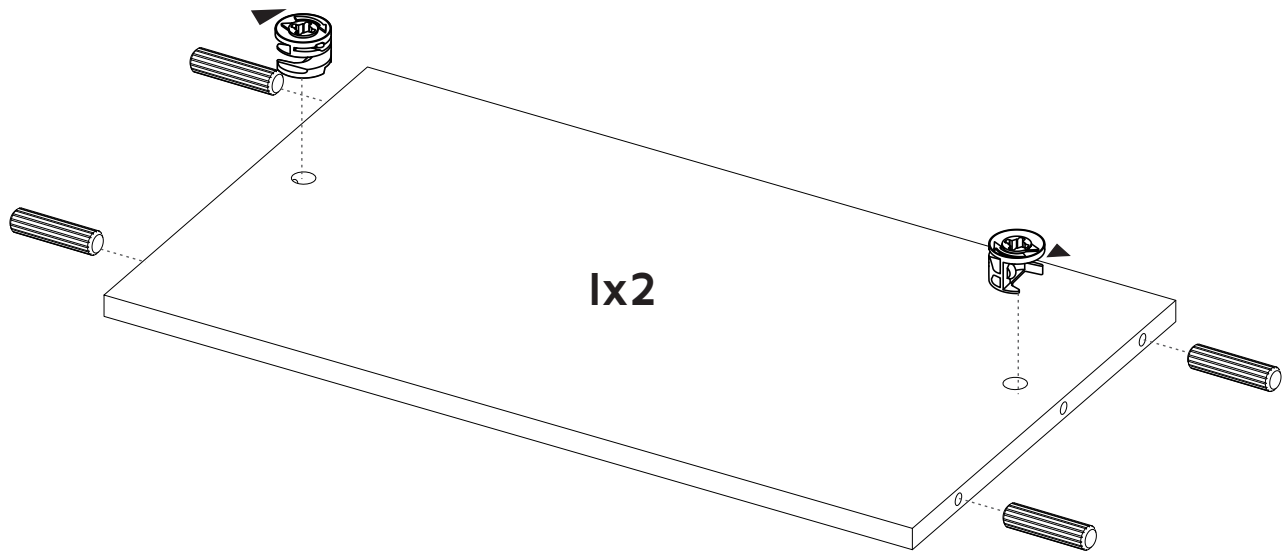
5



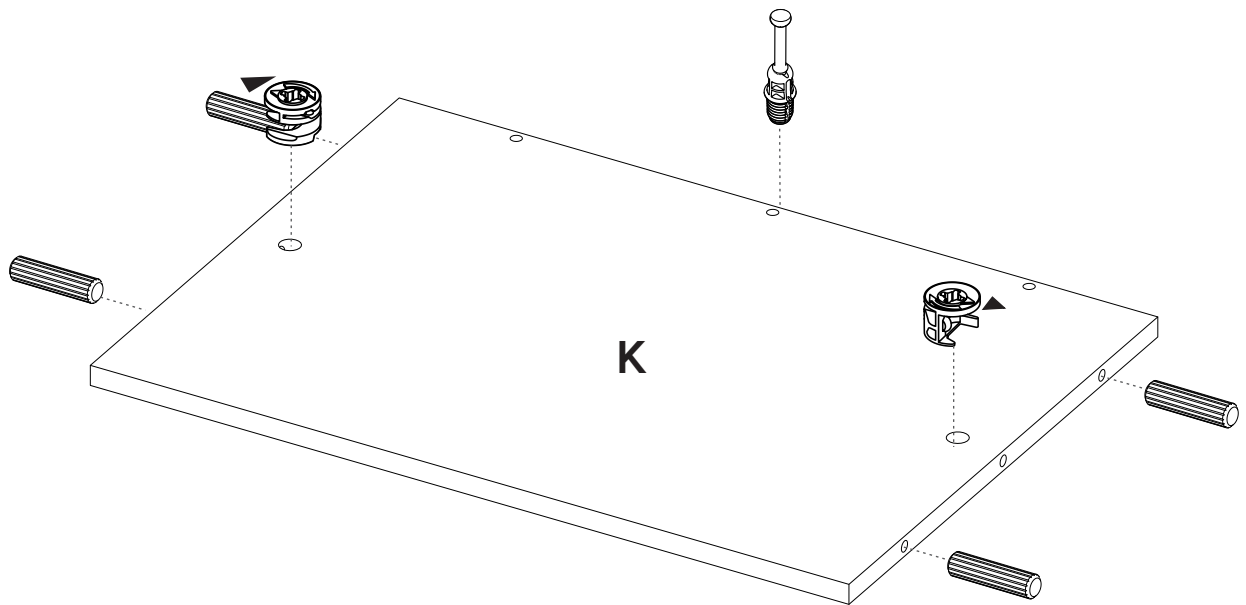
6



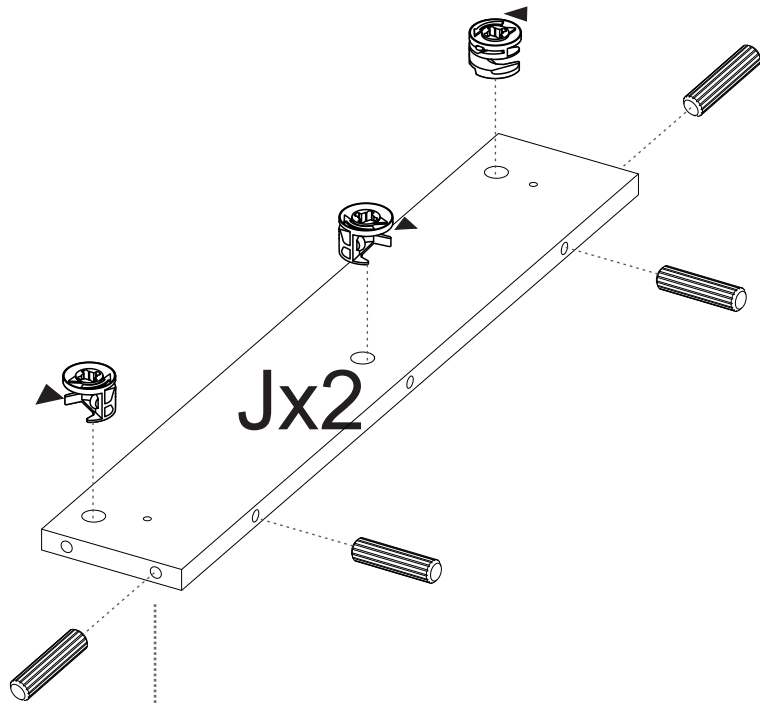
7



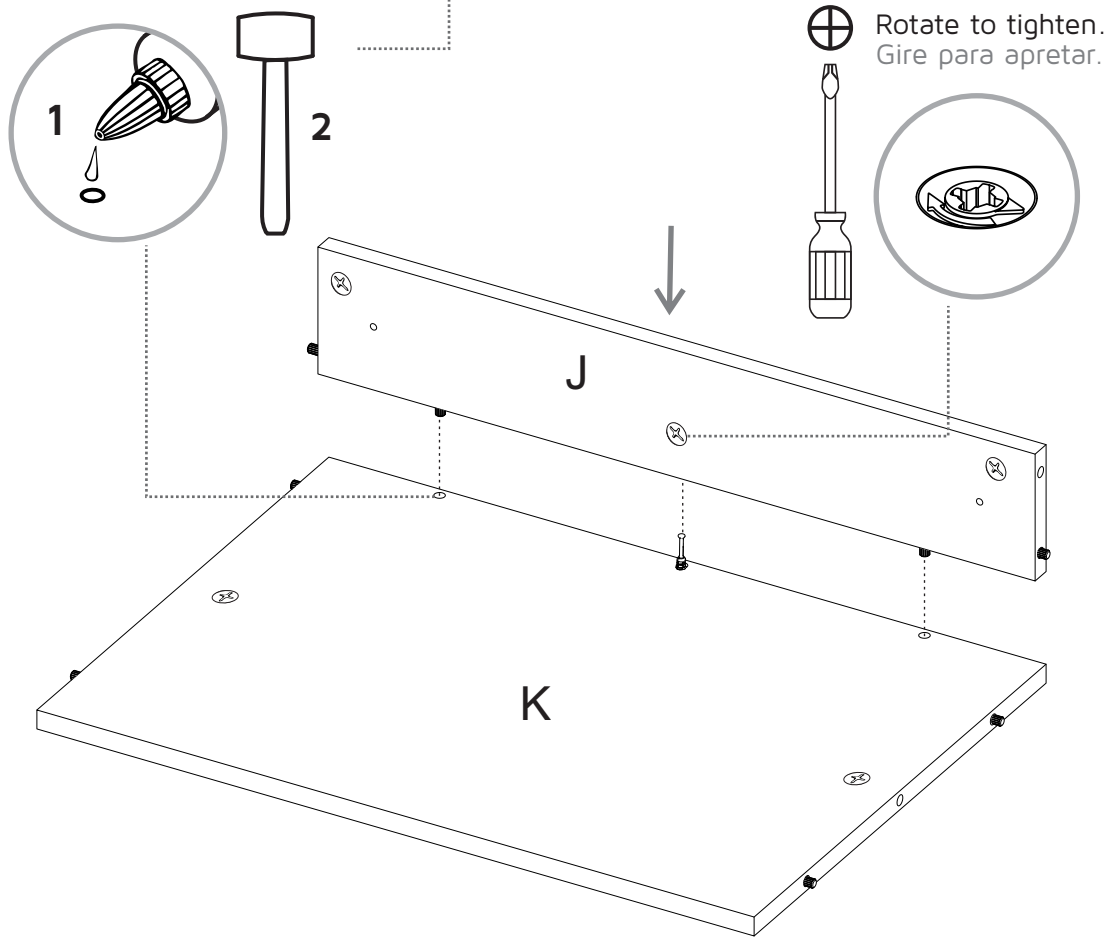
8



9

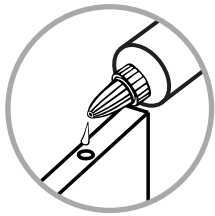
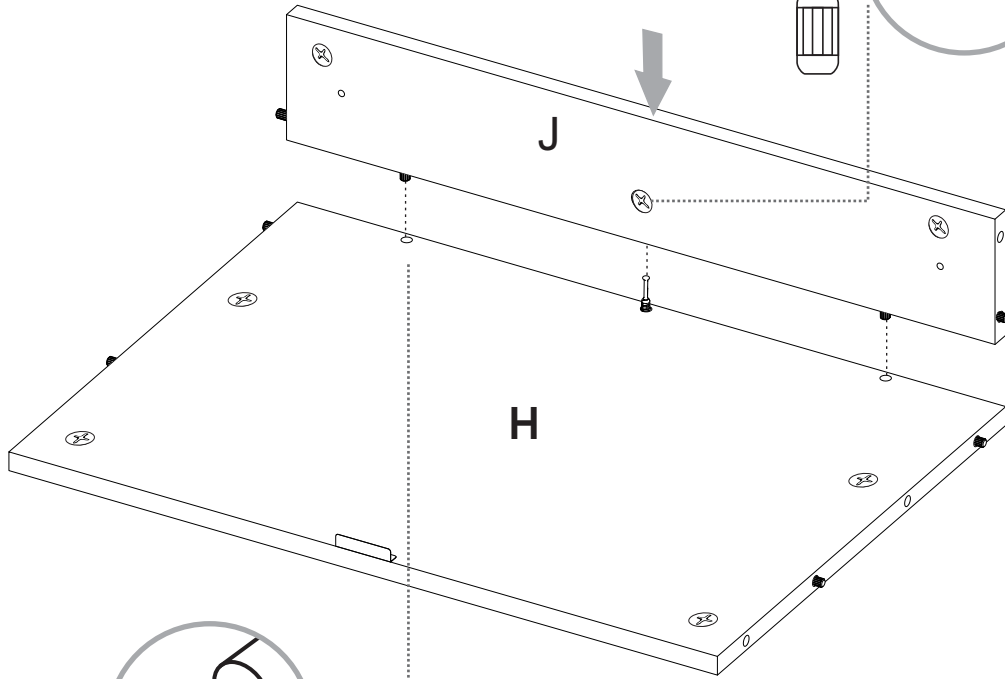
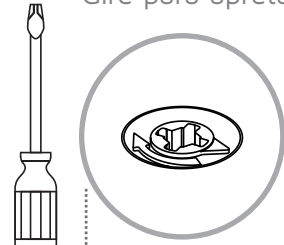


10



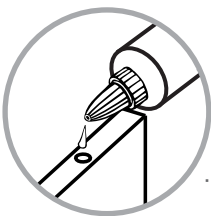
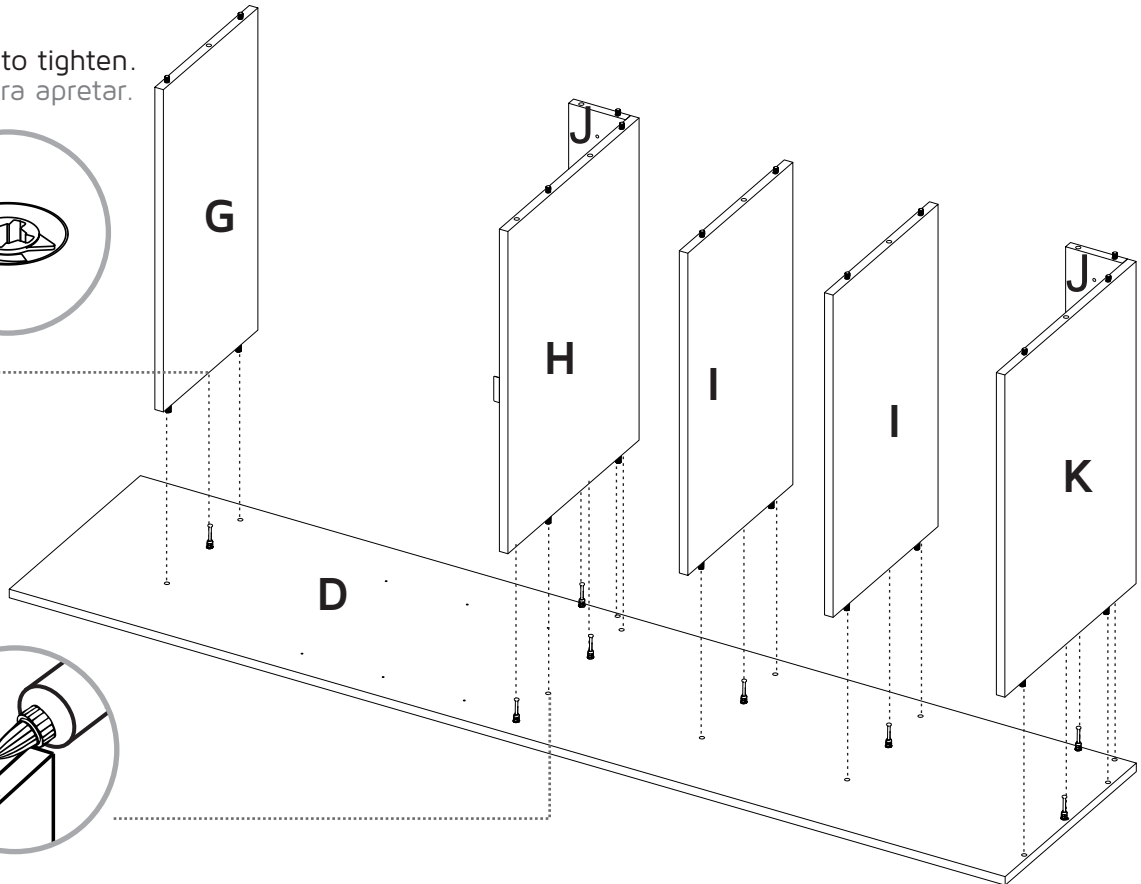
11

⊕ Rotate to tighten.
Gire para apretar.

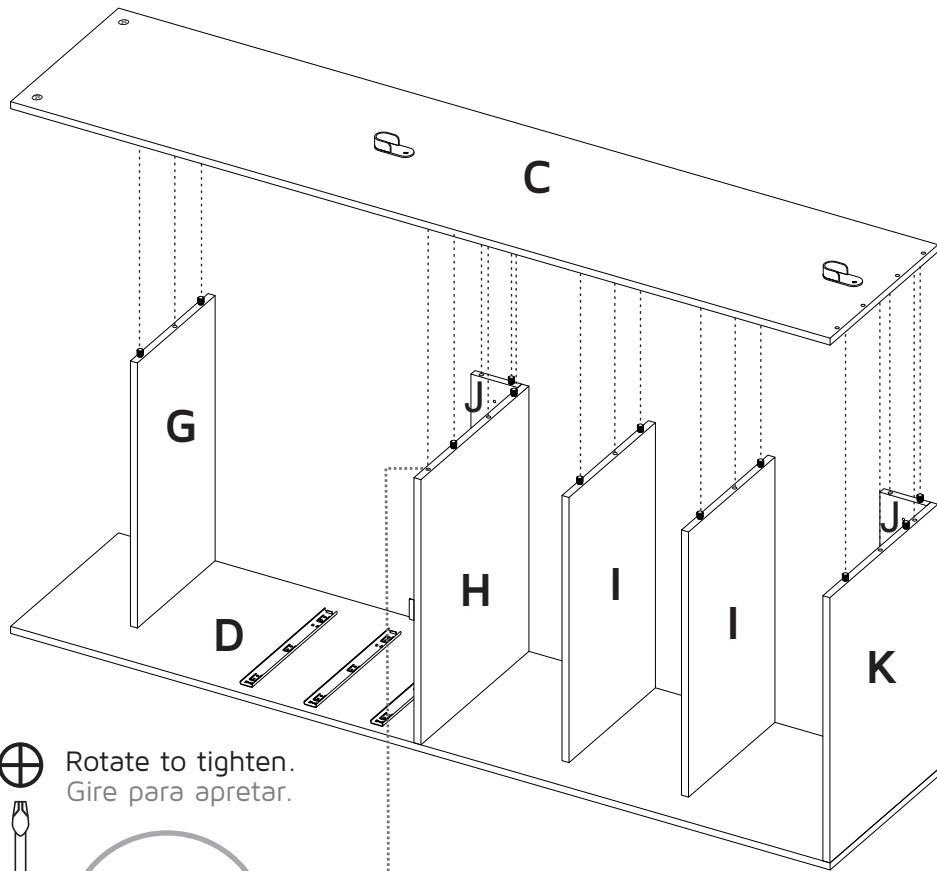


12

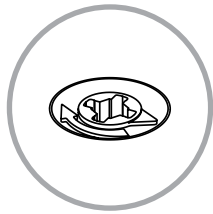
⊕ Rotate to tighten.
Gire para apretar.



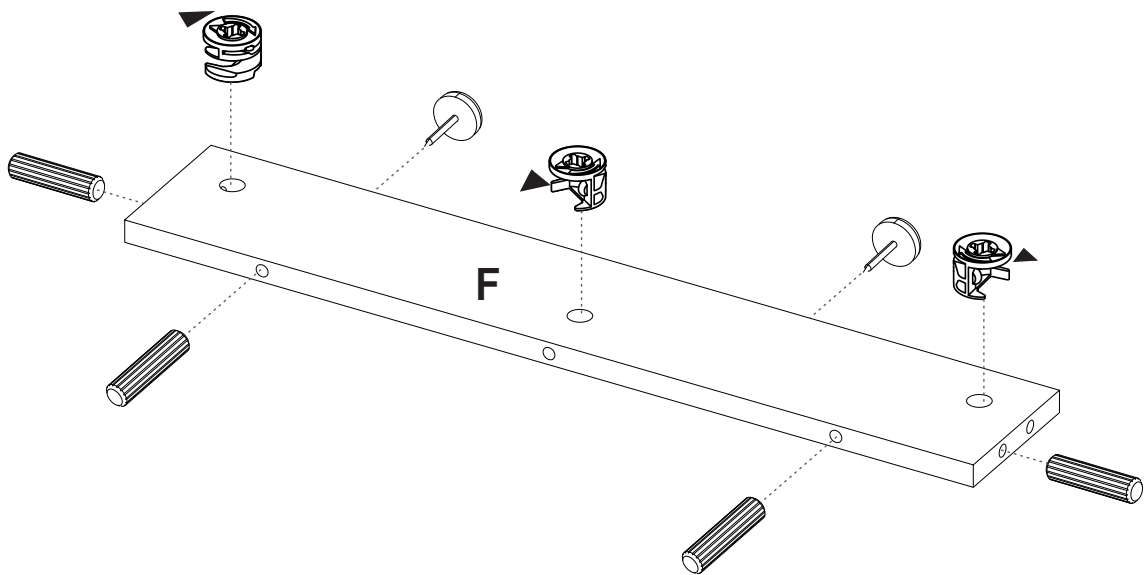
13



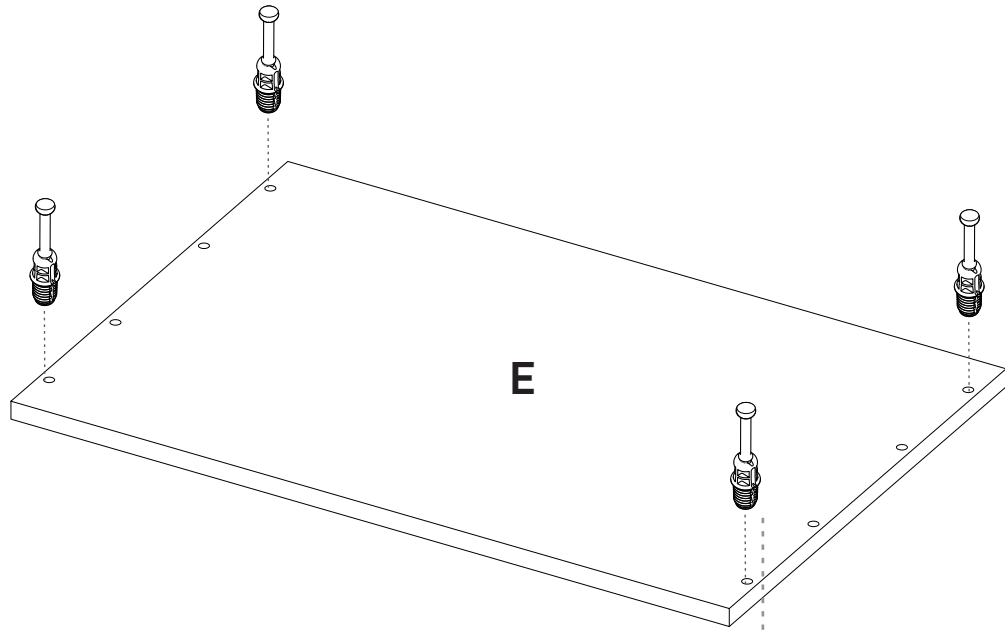
⊕ Rotate to tighten.
Gire para apretar.



14

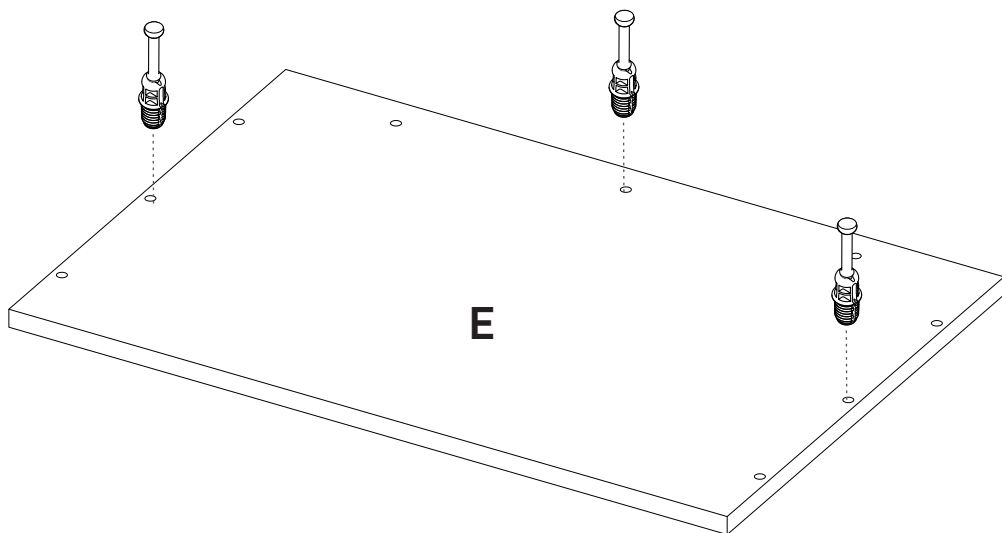
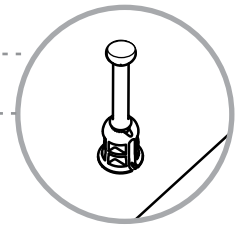


15

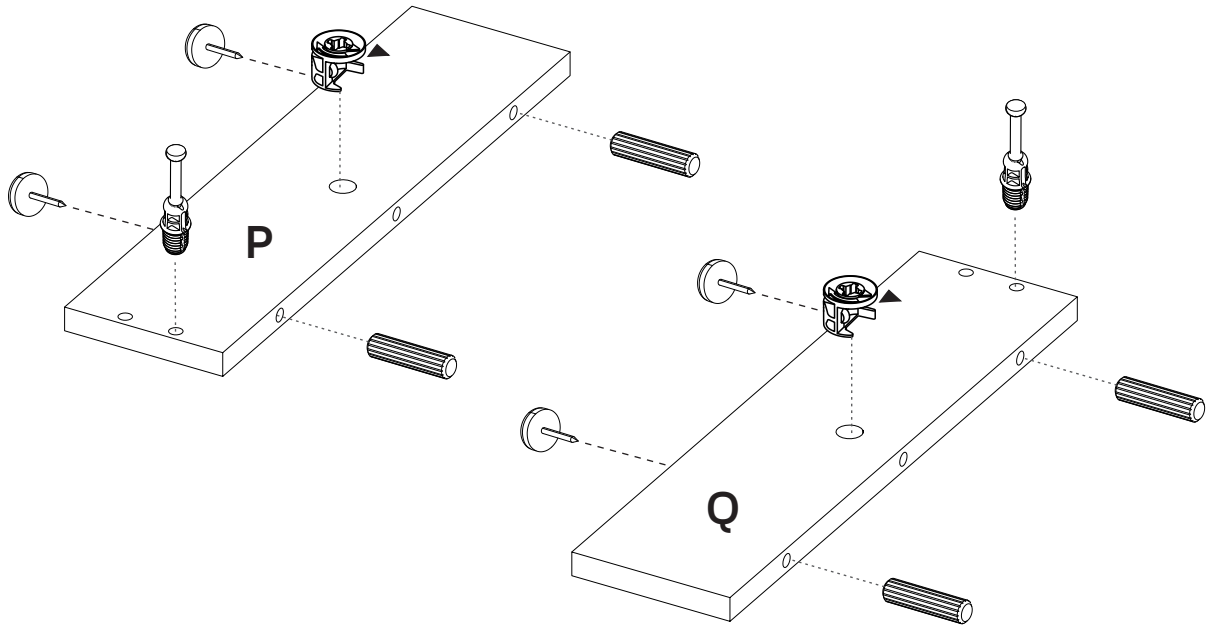


16

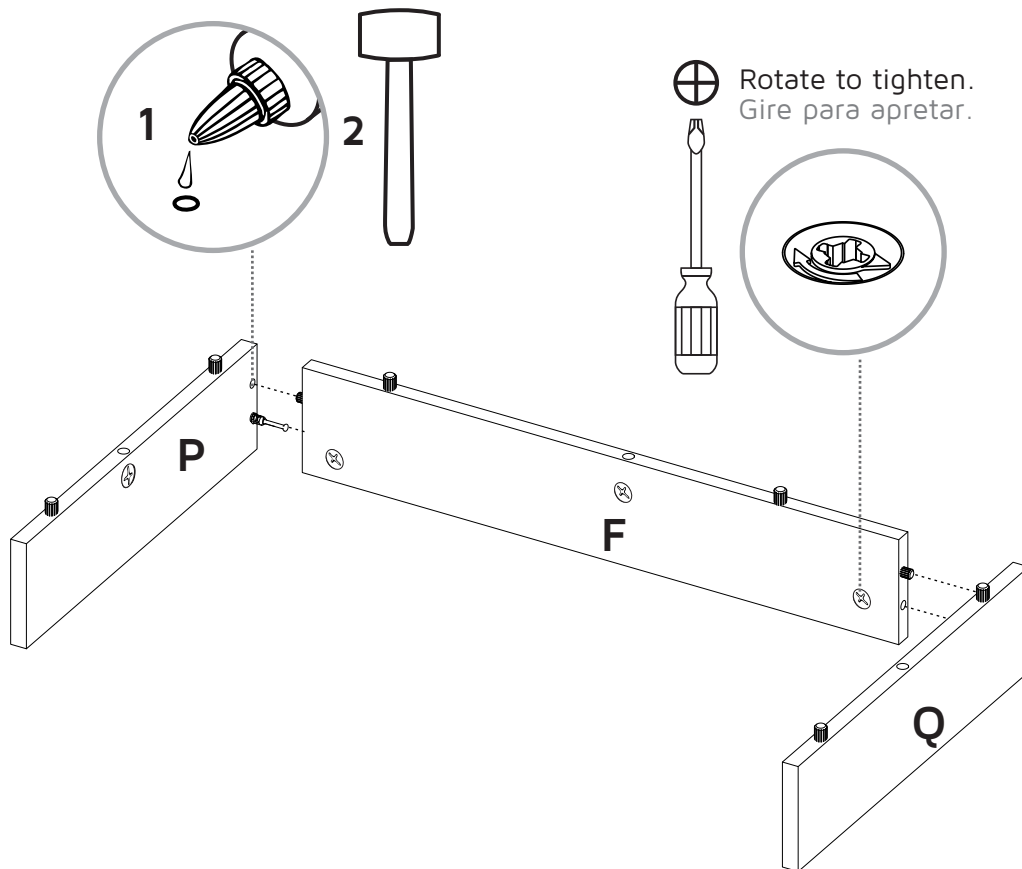
Rotate
Voltear



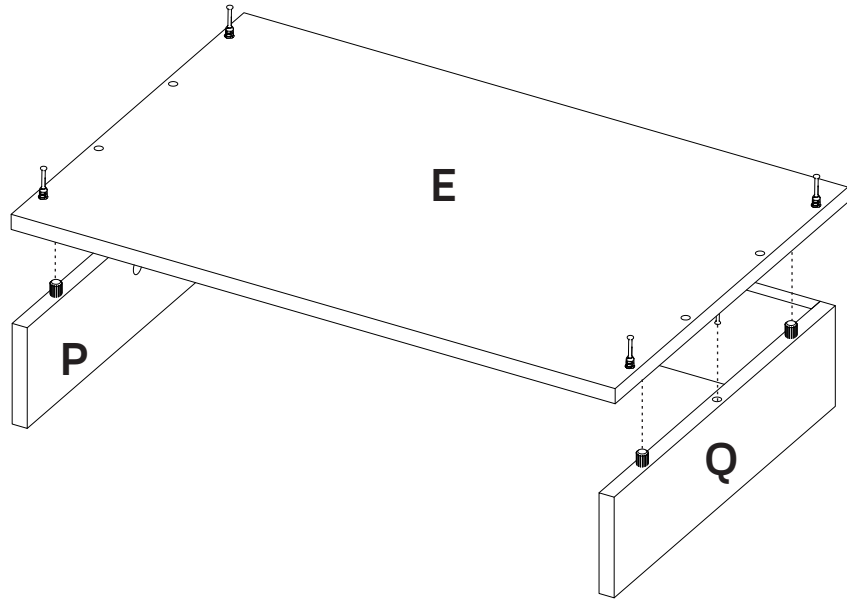
17



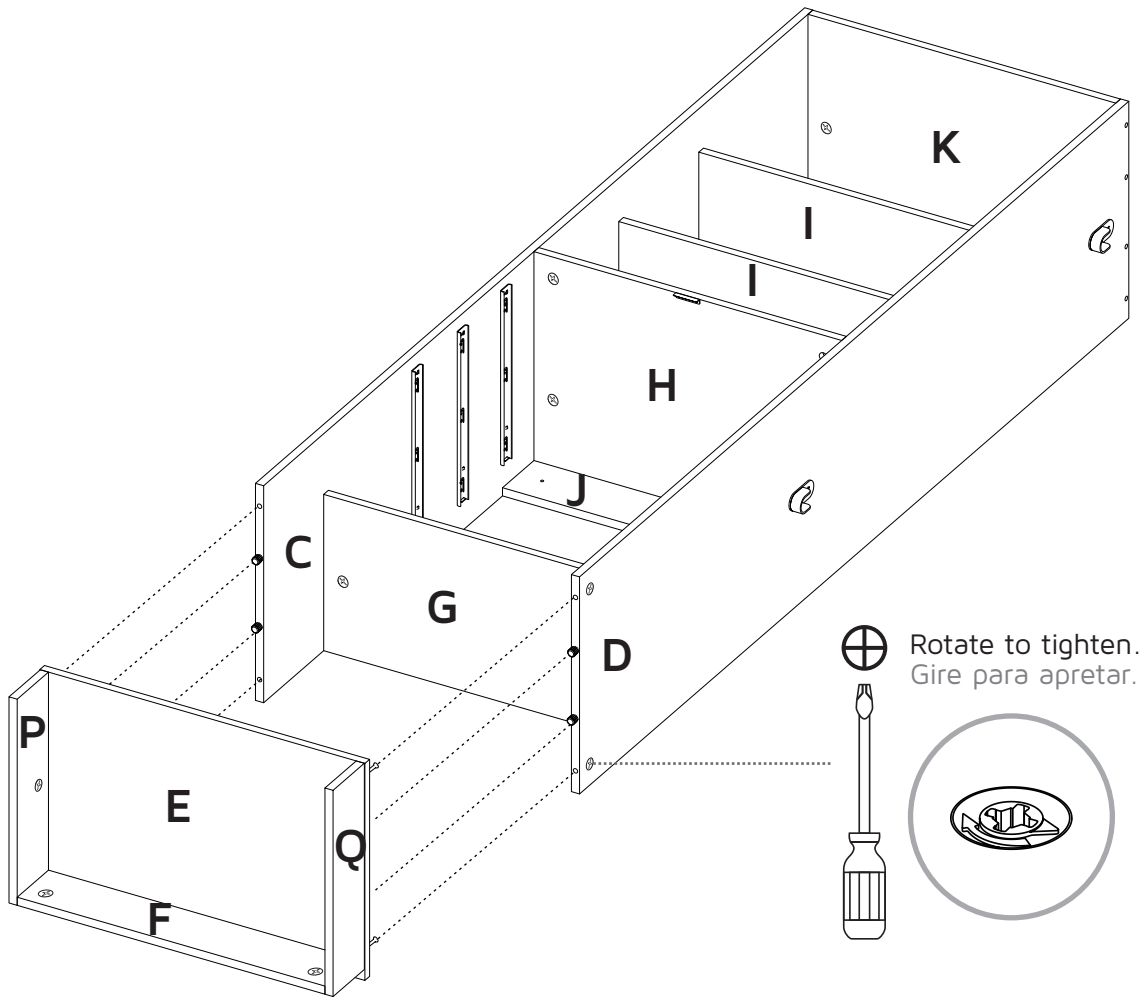
18



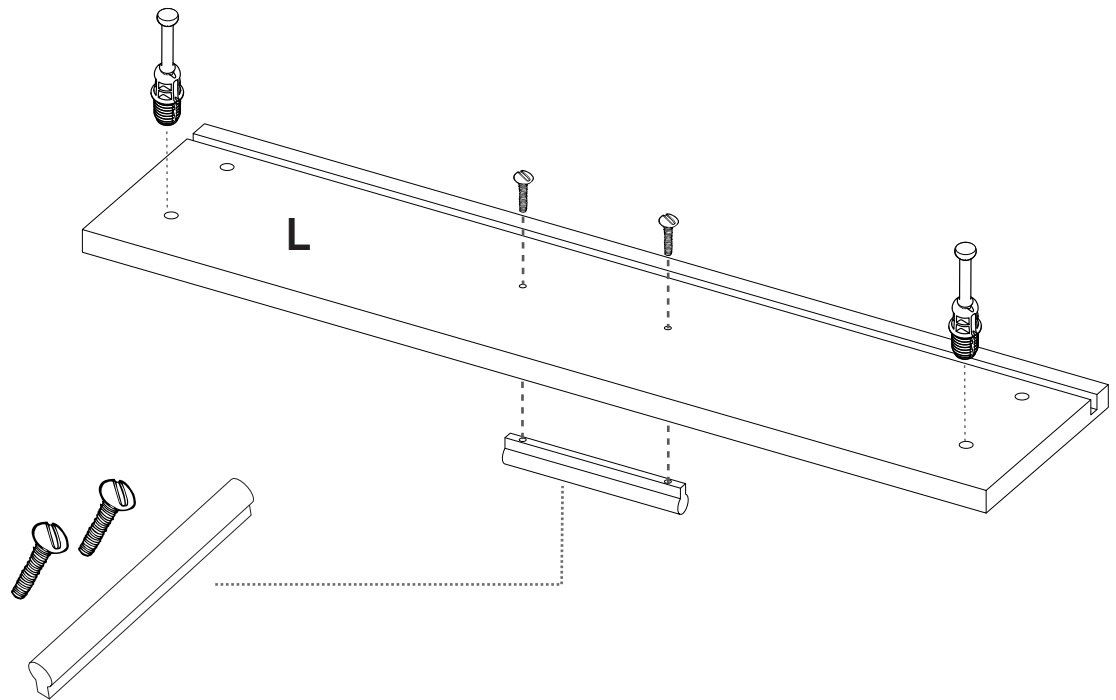
19



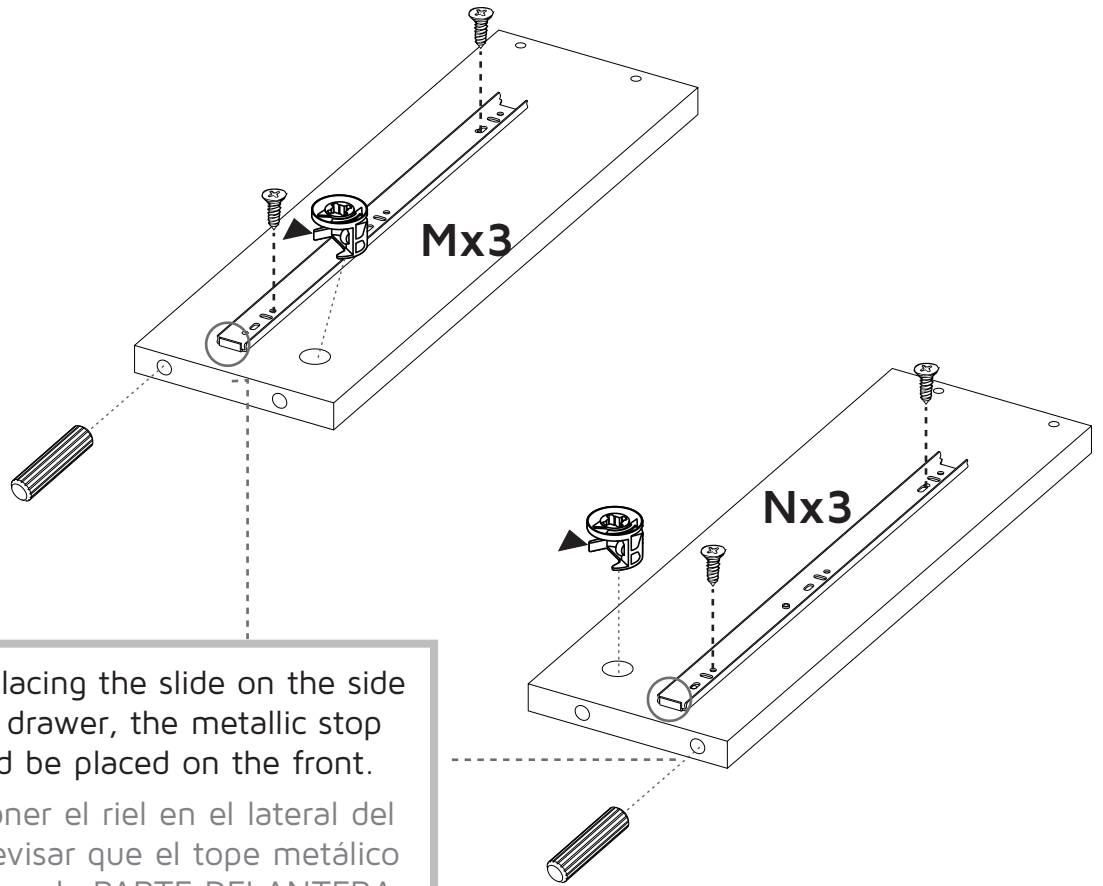
20



21
X2



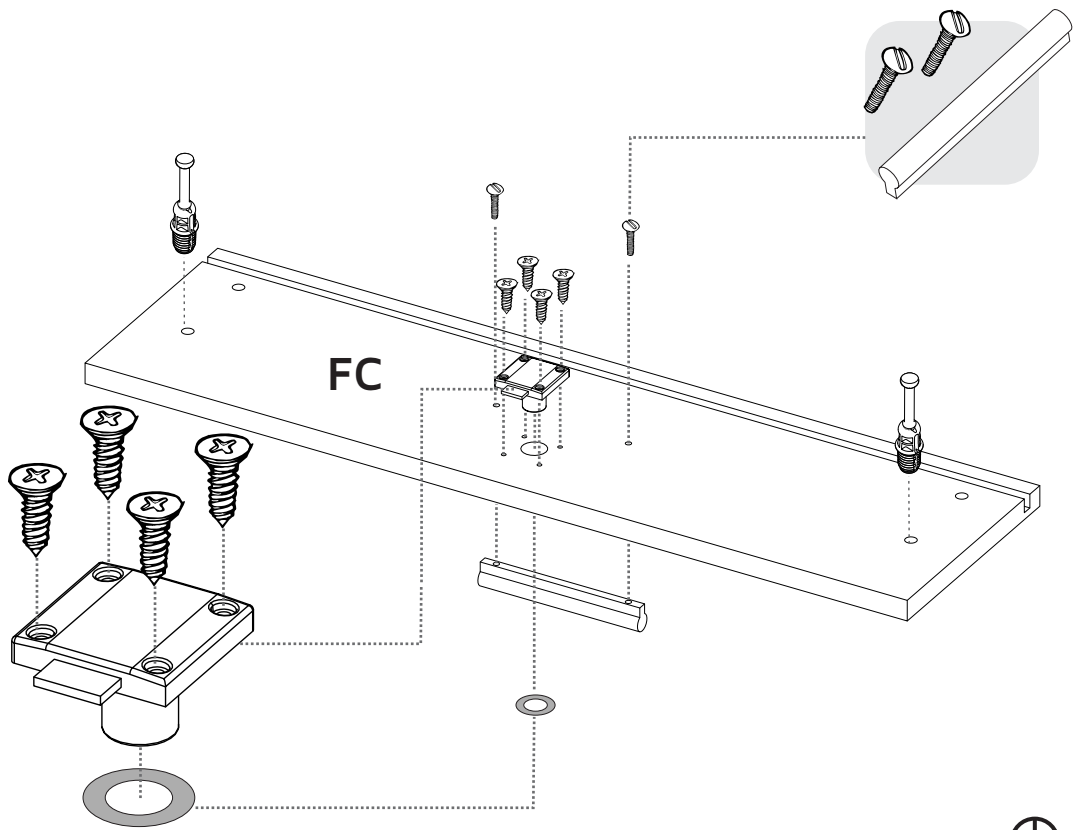
22



When placing the slide on the side of the drawer, the metallic stop should be placed on the front.

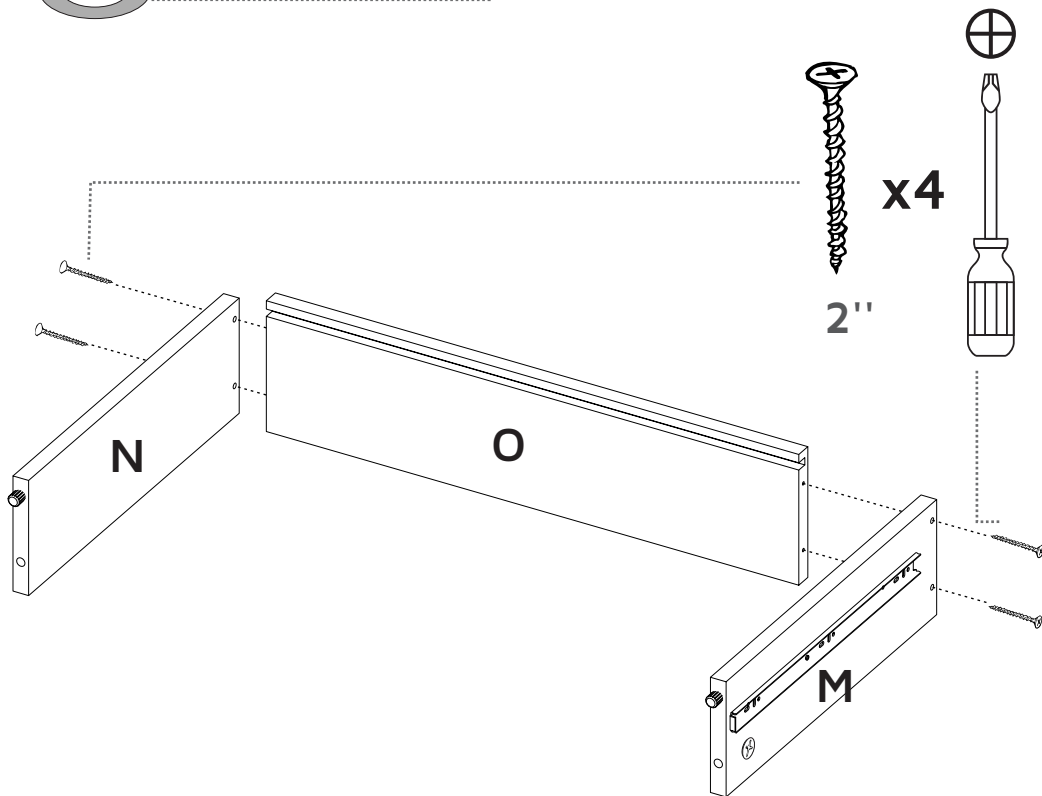
Para poner el riel en el lateral del cajón revisar que el tope metálico quede en la PARTE DELANTERA

23

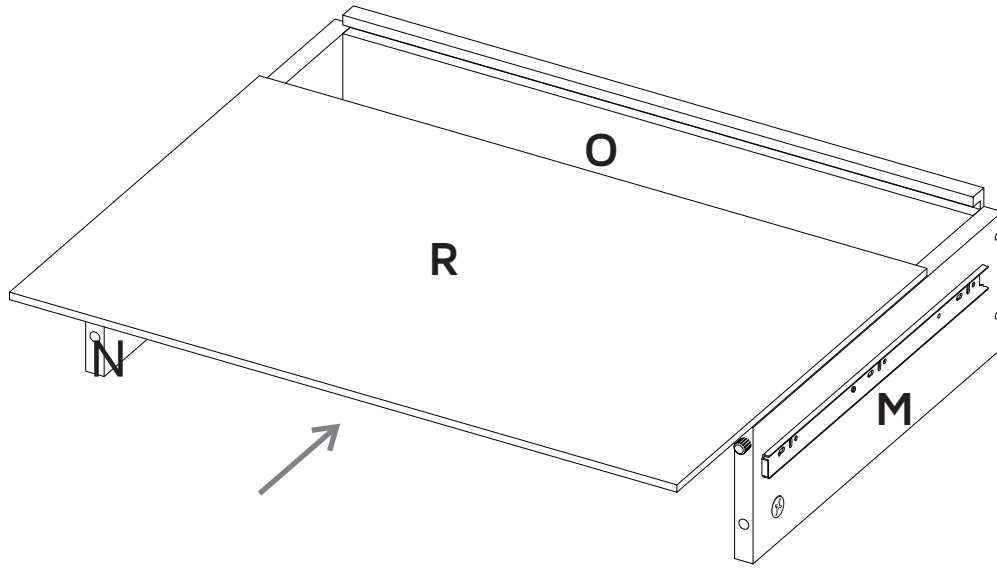


24

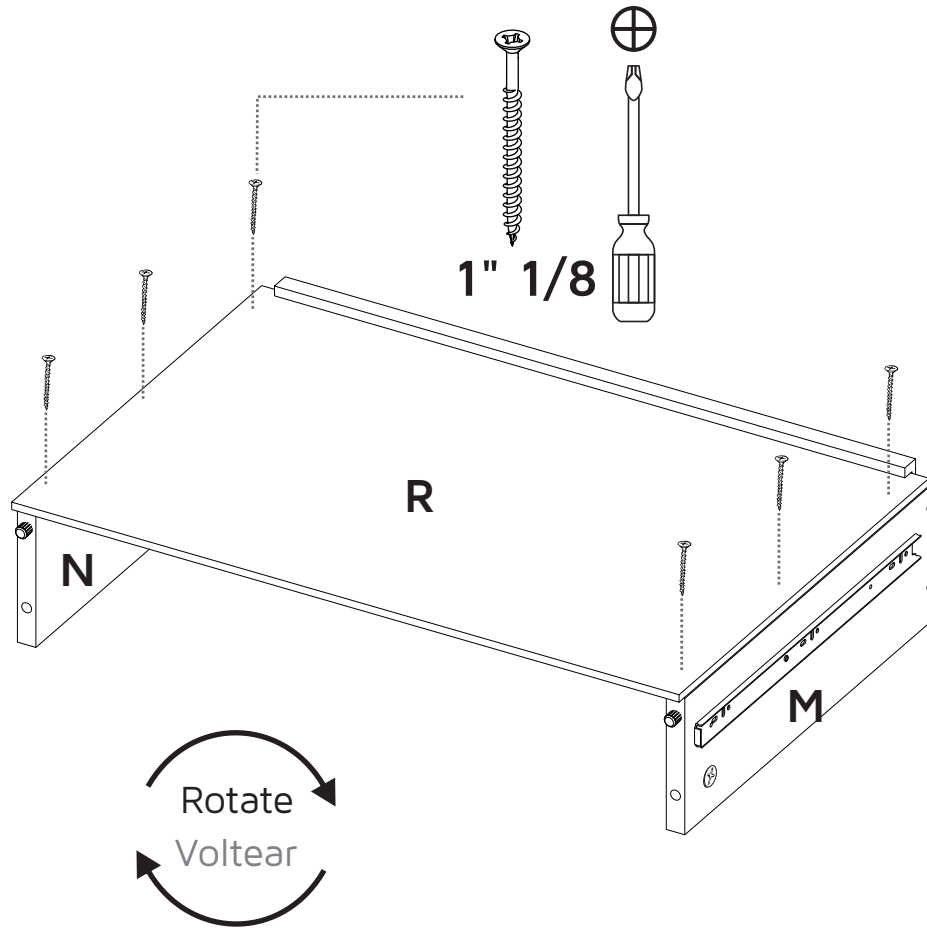
X3



25
X3

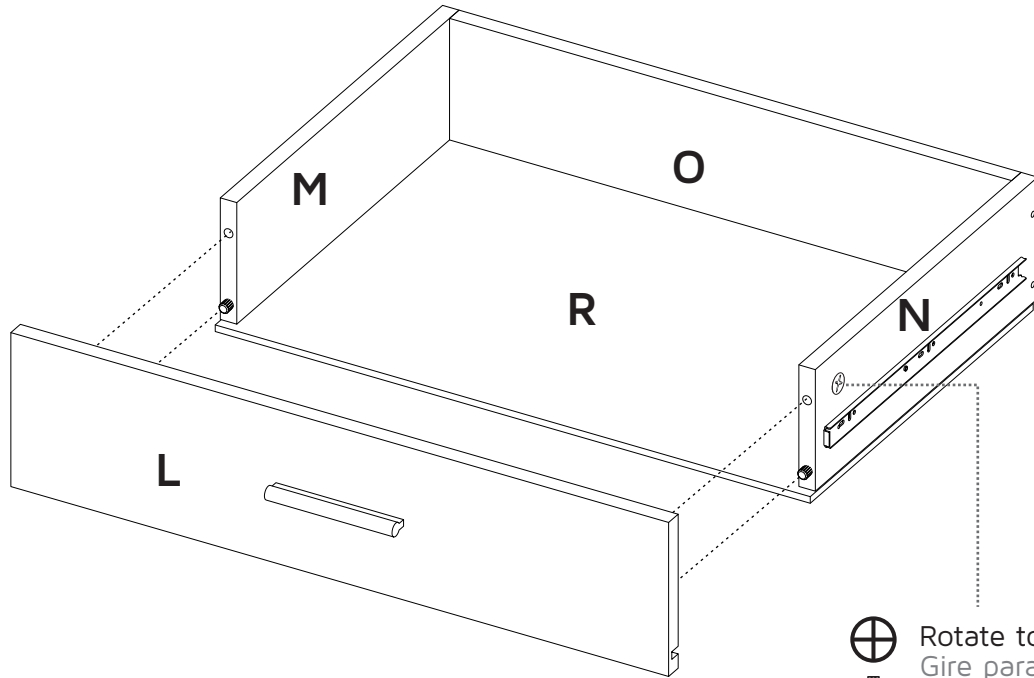


26
X3

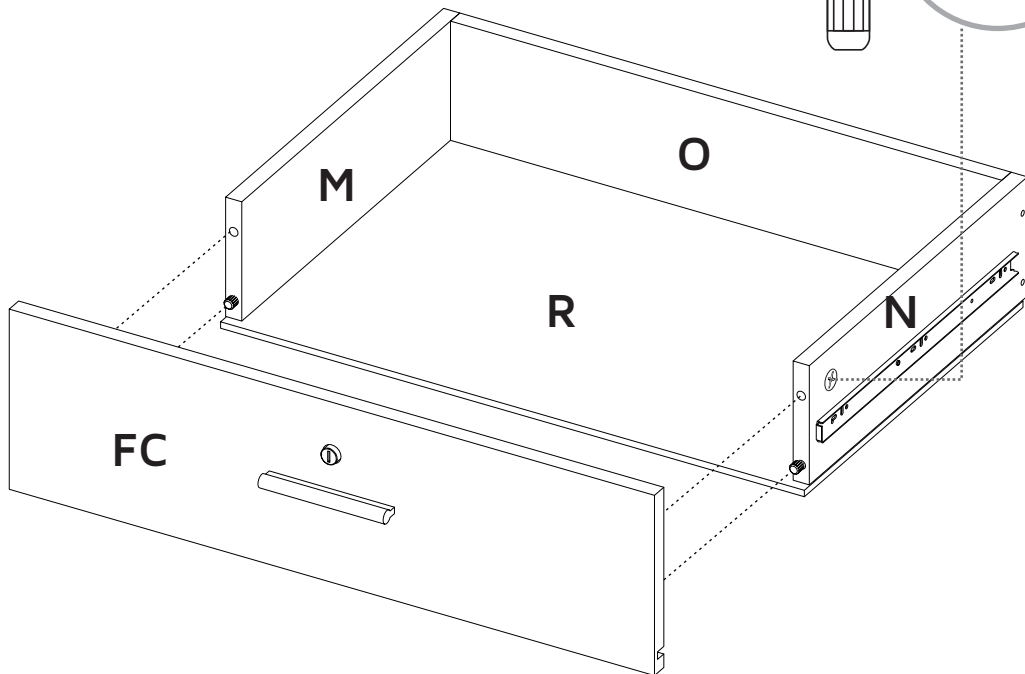


27

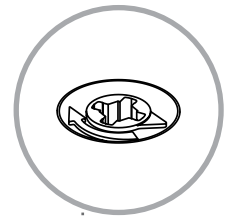
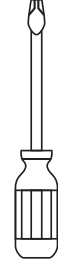
X2



28



Rotate to tighten.
Gire para apretar.

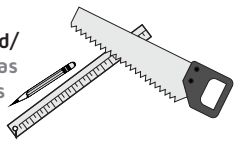


BEFORE YOU CONTINUE THE ASSEMBLY, MEASURE THE SPACE WHERE YOU ARE GOING TO PUT THE CLOSET AND CUT PIECES A AND B, AND OVAL TUBES IF NECESSARY, FOR THIS TAKE AS A GUIDE THE FIGURE BELOW

ANTES DE CONTINUAR CON EL ENSAMBLE, MIDA EL ESPACIO DONDE VA A PONER EL CLÓSET Y CORTE LAS PIEZAS A Y B, Y LOS TUBOS OVALADOS SI ES NECESARIO, PARA ESTO TOMA COMO GUIA LA FIGURA DE ABAJO/



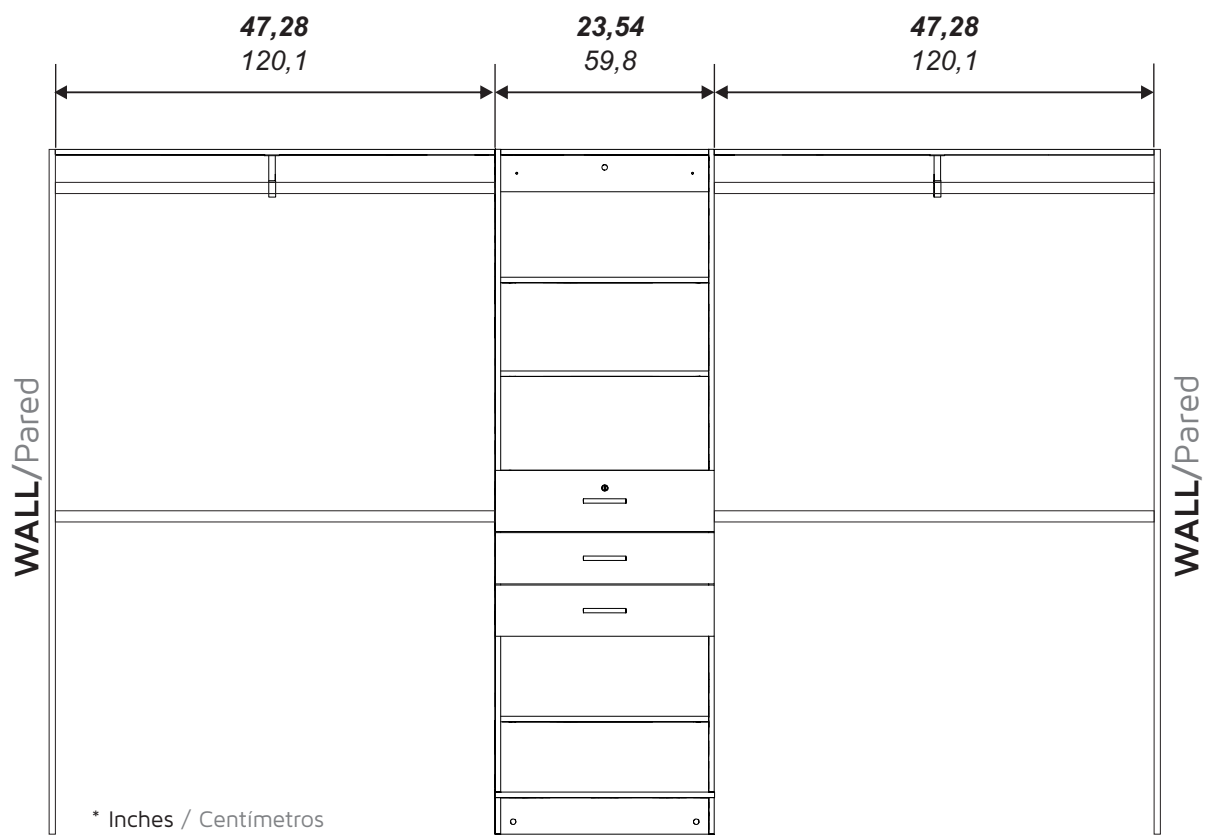
* Tools not included/
Herramientas no incluidas



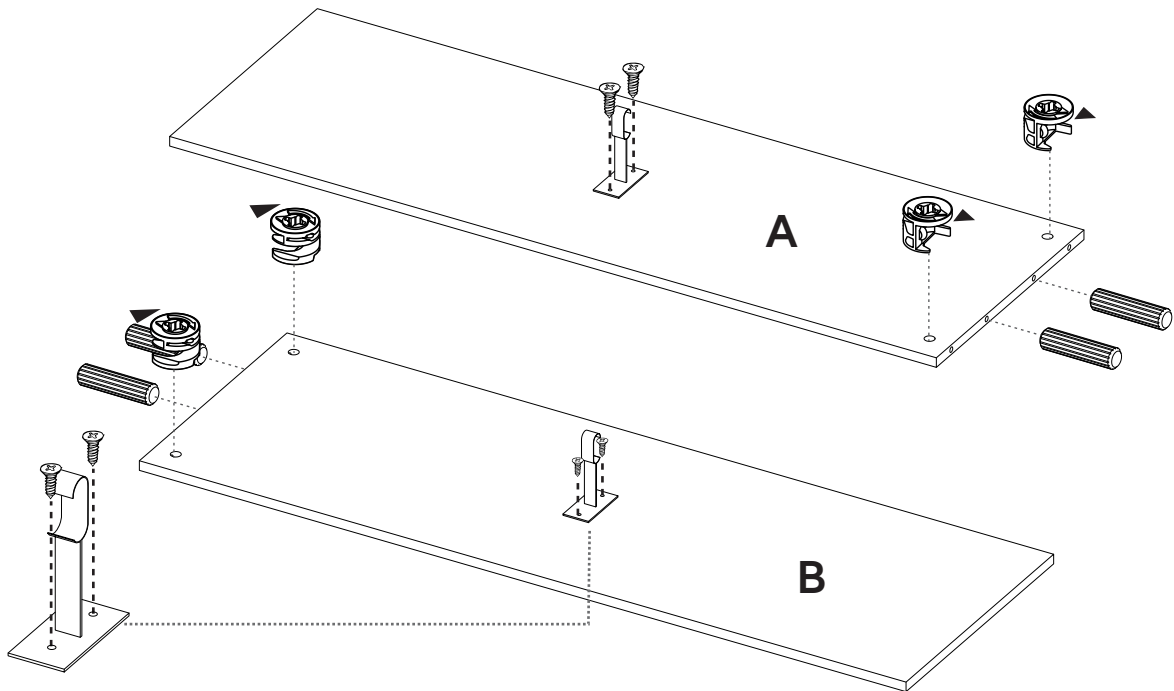
Use a pencil to mark the cutting of pieces A and B, then use the appropriate tools for cutting

/ Utilizar lápiz para marcar el corte de las piezas A y B, luego utilizar herramientas apropiadas para realizar el corte.

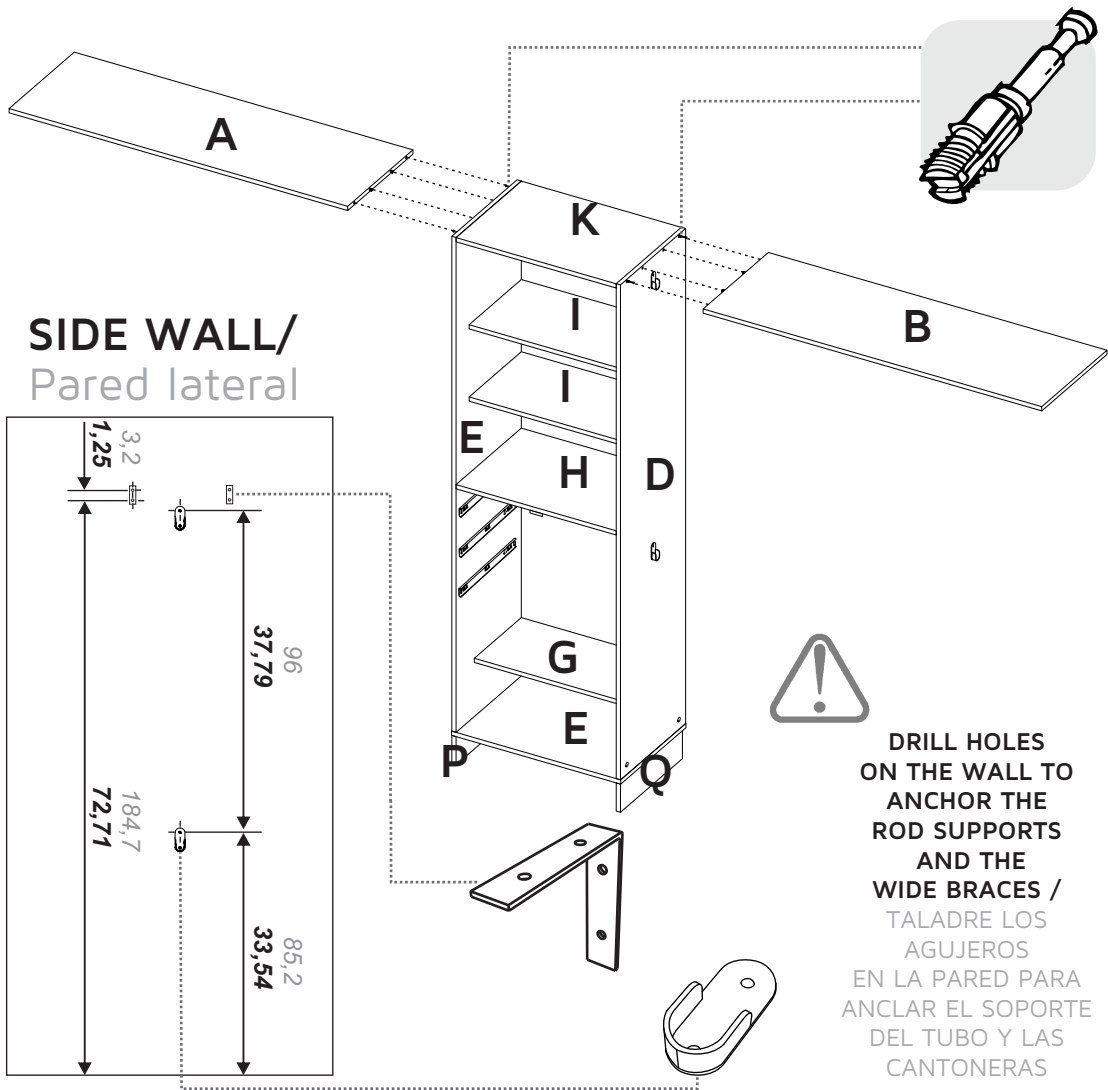
* Total Measures/ Medidas Totales

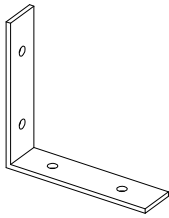


30

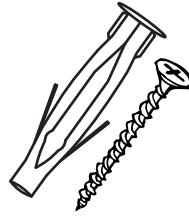


31



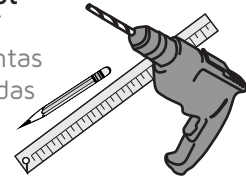


Mark with a pencil the holes of the Wide Bracers on the wall
 (Wall Anchor not included/
 Marque con un lapiz los agujeros de las cantoneras en la pared (Chazos no incluidos)



Drywall Screw+
 Wall Anchor/
 Tornillo 2 1/2" +
 Chazo Mariposa

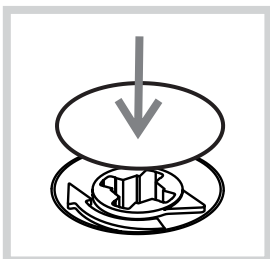
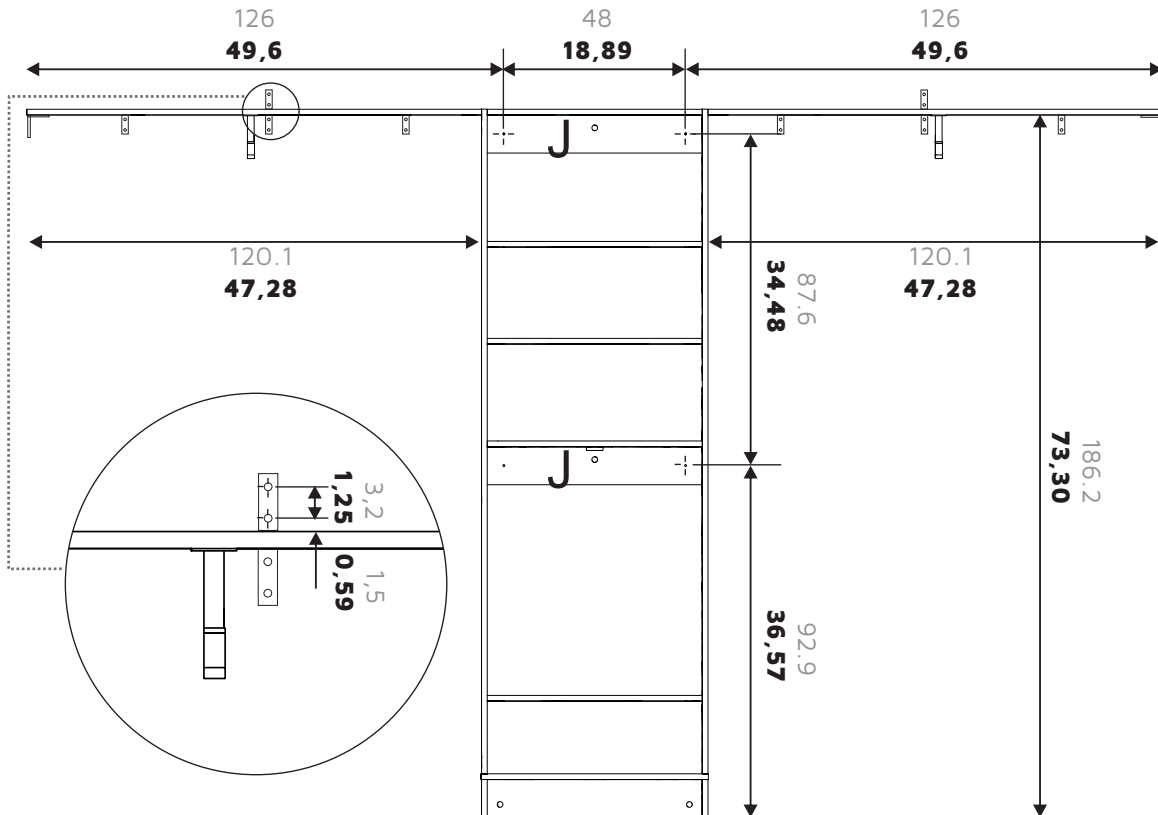
* Tools not included/
 Herramientas NO incluidas



Use a 5/16" drill bit to drill the wall/
 Utilizar una broca de 5/16" para hacer las perforaciones en el muro

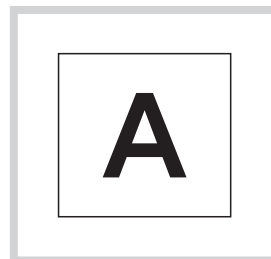
WALL / Pared

* Inches / Centímetros



After you finish the adjustment of the cams, cover them with the cover caps.

Después de ajustar todas las cajas minifix, cúbralas con las tapas adhesivas.



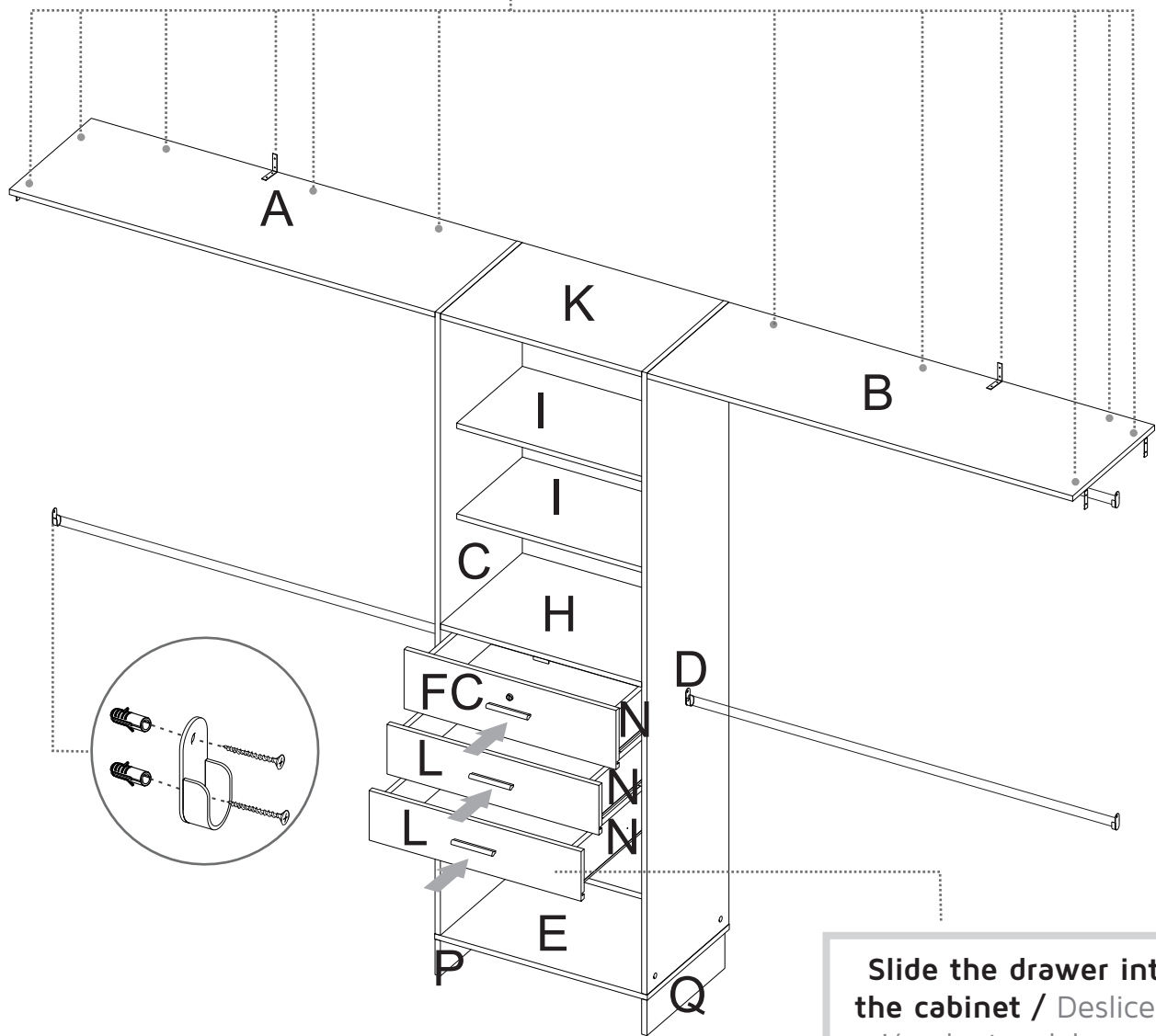
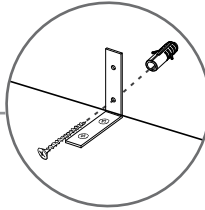
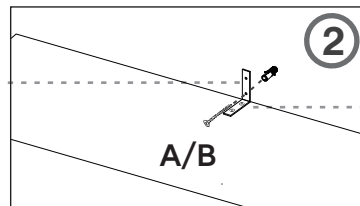
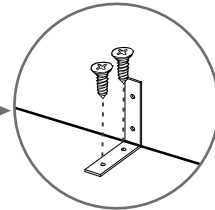
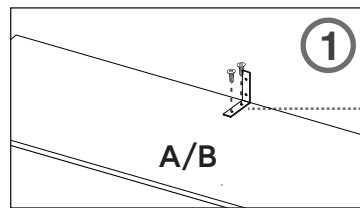
After you finish assembling the cabinet, take off the adhesive letters.

Al terminar de armar, desprenda las letras adhesivas.

Wall Anchoring / Anclaje a la pared



Plastic Wall Anchor +
Drywall Screw/
Chazo Plástico +
Tornillo de Ensamble



Slide the drawer into
the cabinet / Deslice el
cajón dentro del mueble

WARRANTY POLICY

PÓLIZA DE GARANTÍA

Furniture has a **1 year** warranty coverage in wooden parts and 1 year warranty coverage in hardware pieces since its manufacturing date, which you can see in the lot number printed on the product box and the assembly instructions leaflet.

Warranty covers materials and workmanship imperfections which impair the assembly or correct functioning of the cabinet.

This warranty is not valid if the defects or imperfections are caused by the incorrect following of the assembly instructions, warnings and recommendations, misuse, intentional damage, fire or flood, or after modifications or any kind of alteration, or repaired by someone not authorized by Furniture, when it's been assembled 3 months after the date of purchase. These defects **MUST** be reported before the warranty coverage period ends. Once the product has been assembled, the company will not be responsible for defective and/or damaged parts.

This warranty is **ONLY** valid for the **ORIGINAL PURCHASER**, it doesn't apply if the product has been resold, rented, etc.

Furniture will take no liability for incidental or consequential damages caused to or by the product (This may not apply in your state).

To make this warranty valid you must write to our customer service email describing the product defect, lot number and submitting your sales receipt or proof of purchase, or contact us at our customer service line. Replaced parts will be under the product's original warranty coverage period. Damaged parts will become property of the company.

There are no other warranties applicable to this product.