

# **INSTALLATION**

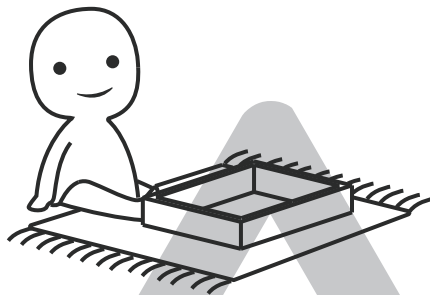
## *Product Manual*

Version: 460116US-00-25A-PF



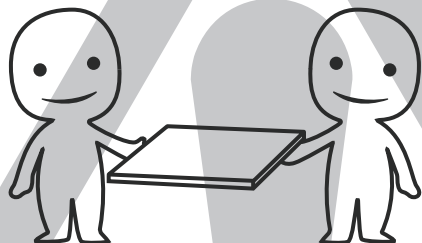
### IMPORTANT INFORMATION!

please read the entire manual before starting to assemble and/or using this product. follow the manual thoroughly and keep it for further reference.



### AVOID SCRATCHES!

In order to avoid scratching this furniture should be assembled on a soft layer - could be a rug.



### IMPROVE EFFICIENCY !

Try to find a partner to install with you, which can speed up the installation efficiency and shorten the time.



### ANTI-TOPPLE WARNING !

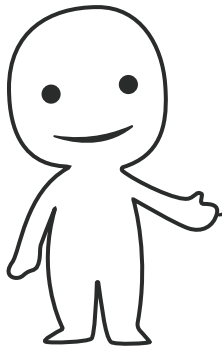
Overturnd furniture can cause serious or fatal crush injuries. To prevent tipping over, be sure to use the wall attachment, if not included with this product. Please purchase the wall attachment that fit your wall. If unsure, seek professional advice. Please read and follow each step of the instructions carefully.

### IMPORTANT !

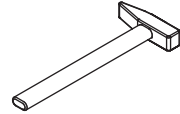
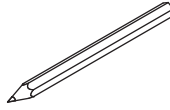
It is important that any product which is assembled using any kind of screw is re-tightened 2 weeks after assembly, and once every 3 months - in order to assure stability through-out the lifespan of the product.

For regular maintenance and cleaning of the product, for the frame, please use a rag dipped in neutral detergent to fully wipe it, and then dry it with a clean rag. For glass materials, wipe with a rag dampened with water glass cleaner, and then dry with a dry rag.

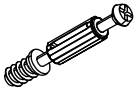



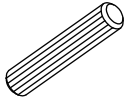



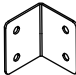
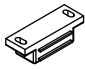
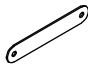
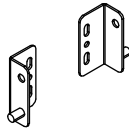

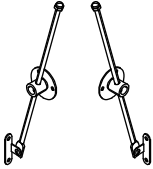


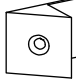
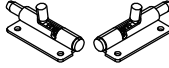
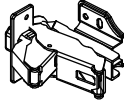
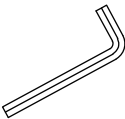
Do not use an electric screwdriver, and do not use too much force when installing, because the board is easy to break.

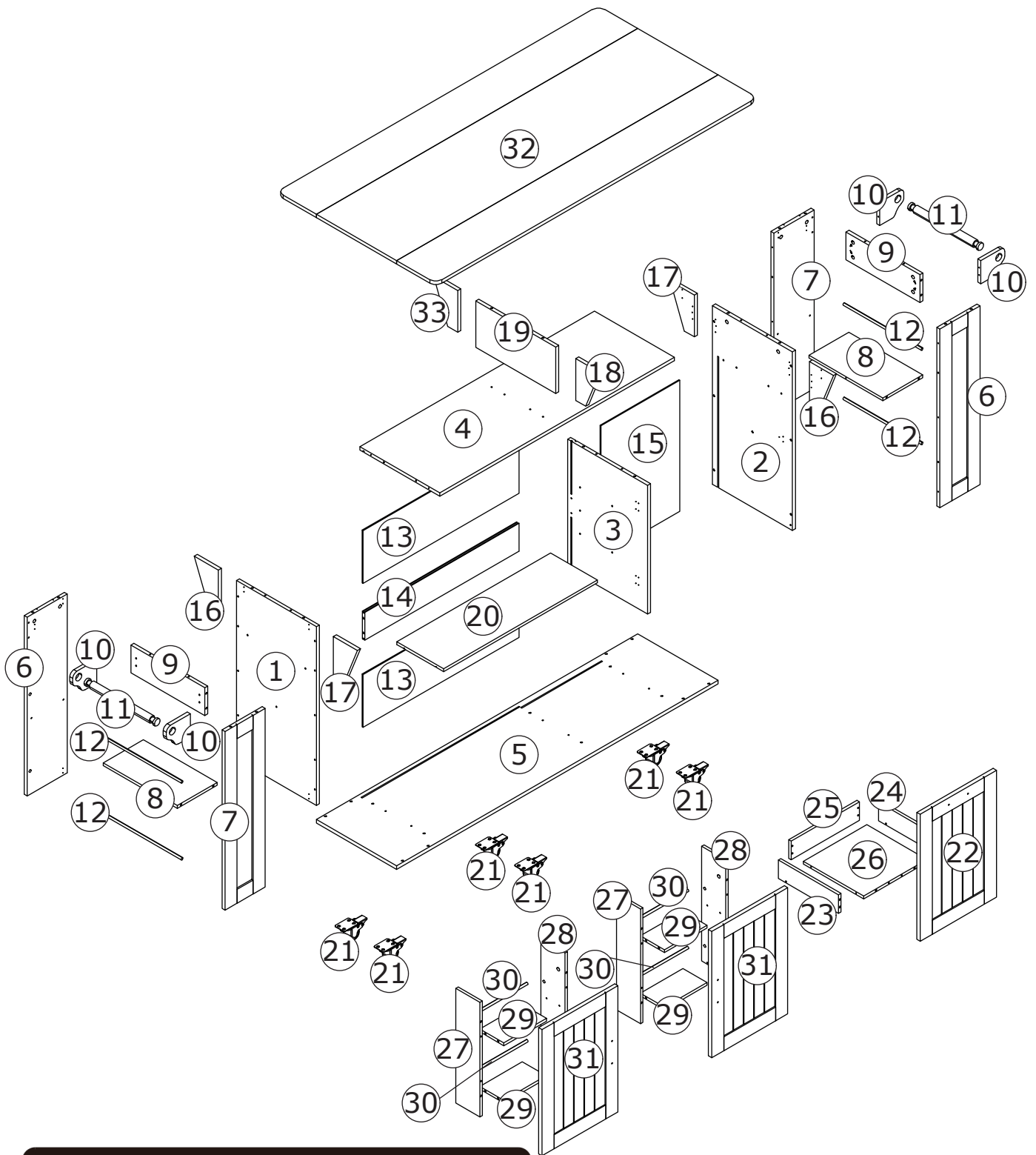


Please prepare the following tools



When installing, please carefully confirm whether each screw corresponds to the manual, accessories with similar shapes can be distinguished by size

A x 66  M5 x 42 mm	B x 66  Ø15 x 10 mm	C x 14  M7 x 40 mm	D x 148  M3.5 x 14 mm	E x 42  Ø6 x 40 mm
F x 36  M5 x 40 mm	G x 3 	H x 6  M4 x 20 mm	I x 12 	J x 6 
K x 1 	L x 1 	M x 1 	N x 4 	O x 1 
P x 24  M6 x 12 mm	Q x 2  M3 x 14 mm	R x 16 	S x 2 	T x 4 
x 1  #4				



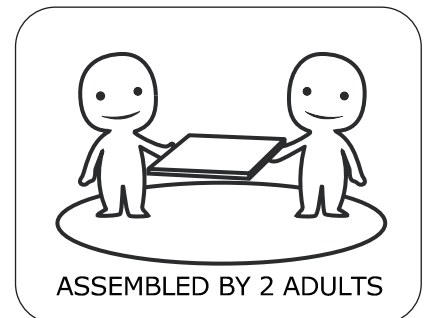
## ⚠ WARNING



Children have died from furniture tipover. To reduce the risk of furniture tipover:

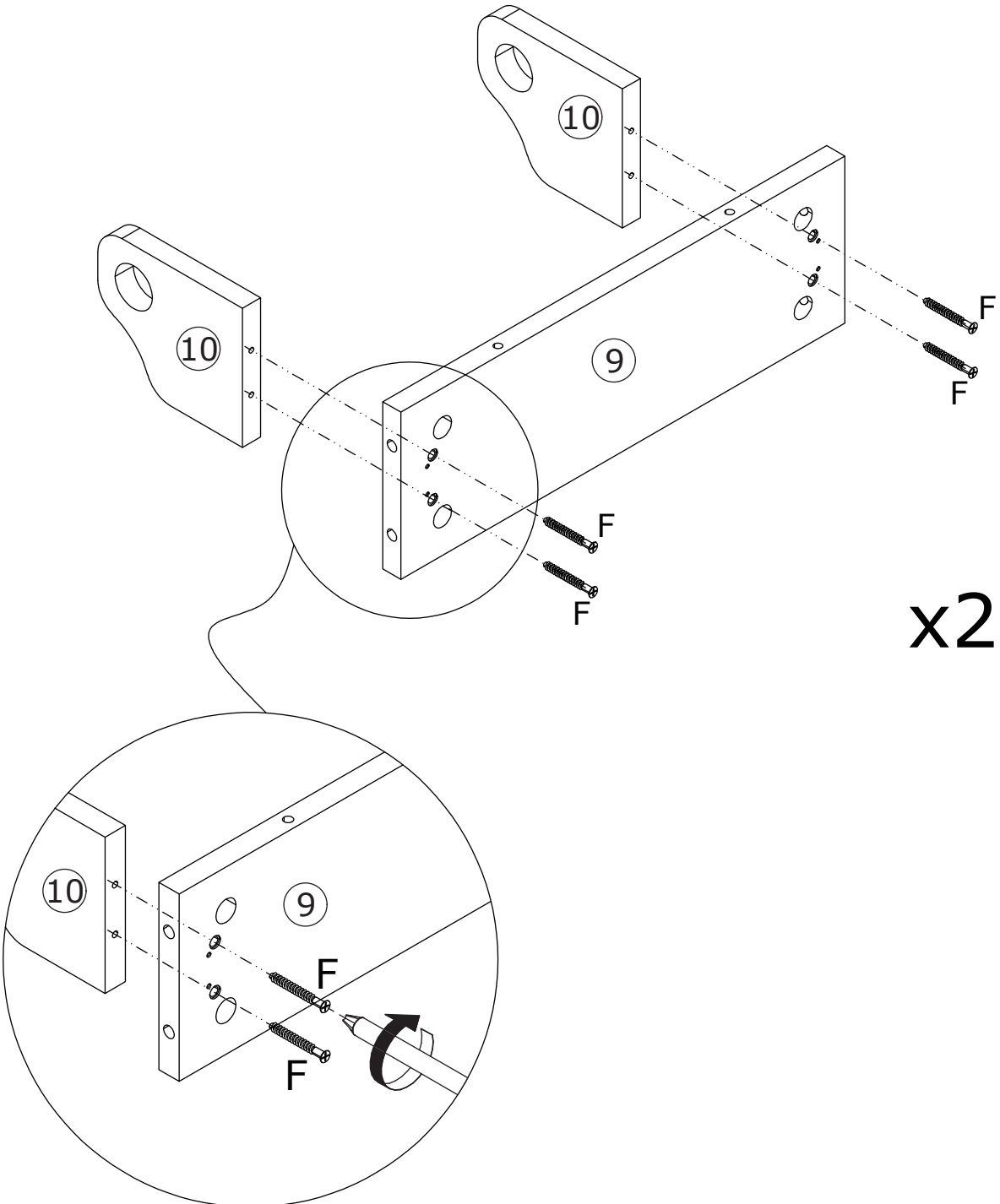
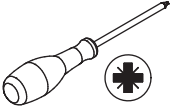
- ALWAYS install Anti-tip device provided.
- NEVER put a TV on this product.
- NEVER allow children to stand, climb or hang on drawers, doors, or shelves.
- NEVER open more than one drawer at a time.
- Place heaviest items in the lowest drawers.

*This is a permanent label.  
Do not remove!*



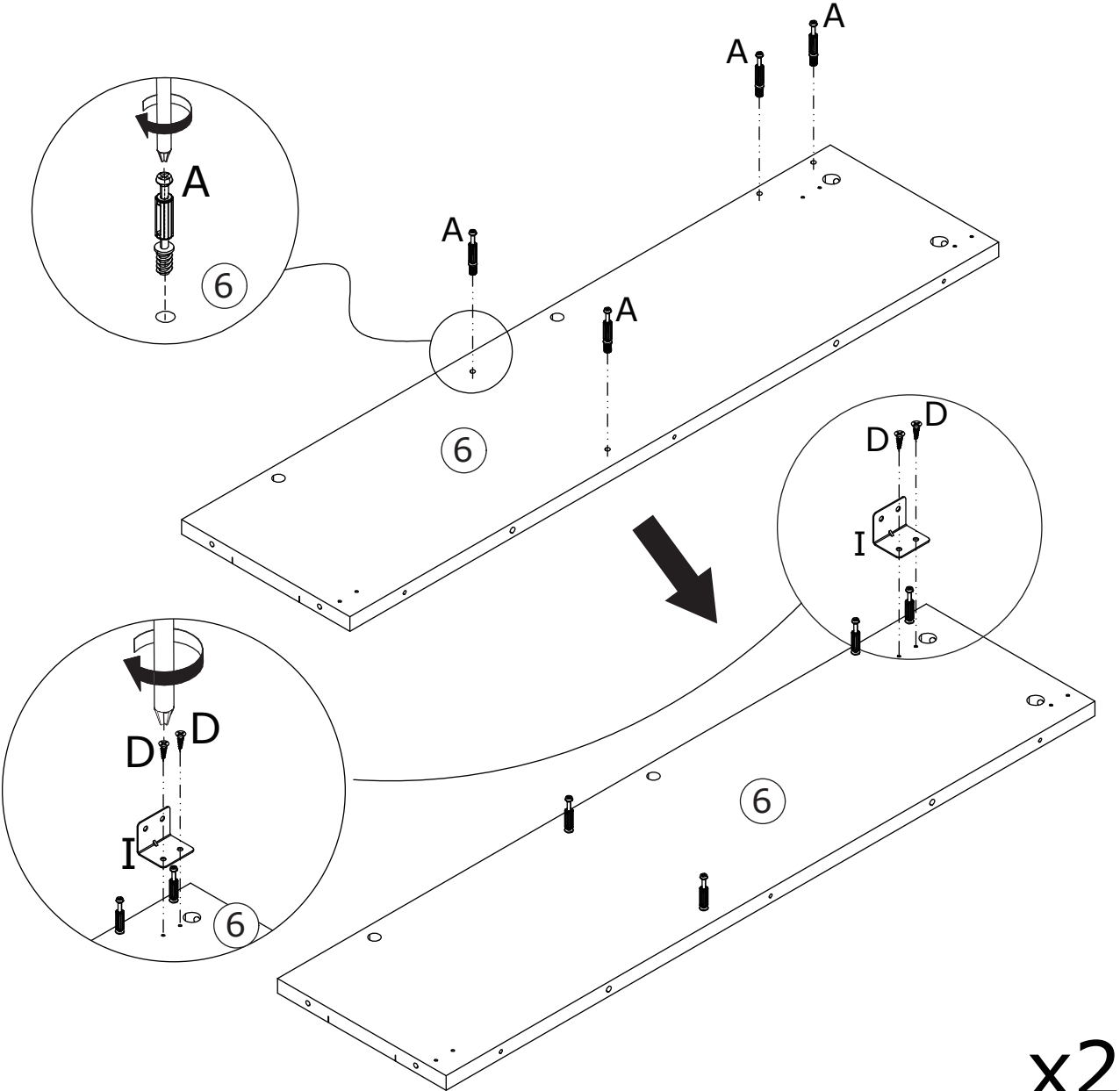
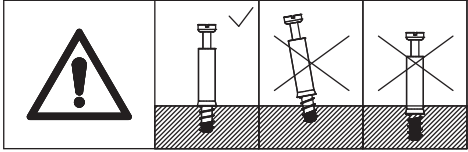
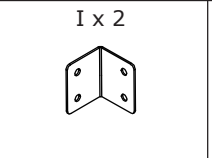
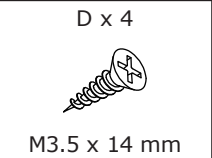
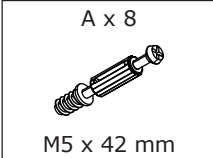
1

F x 8  
M5 x 40 mm



Secure plate 9 to plate 10 screws (F).

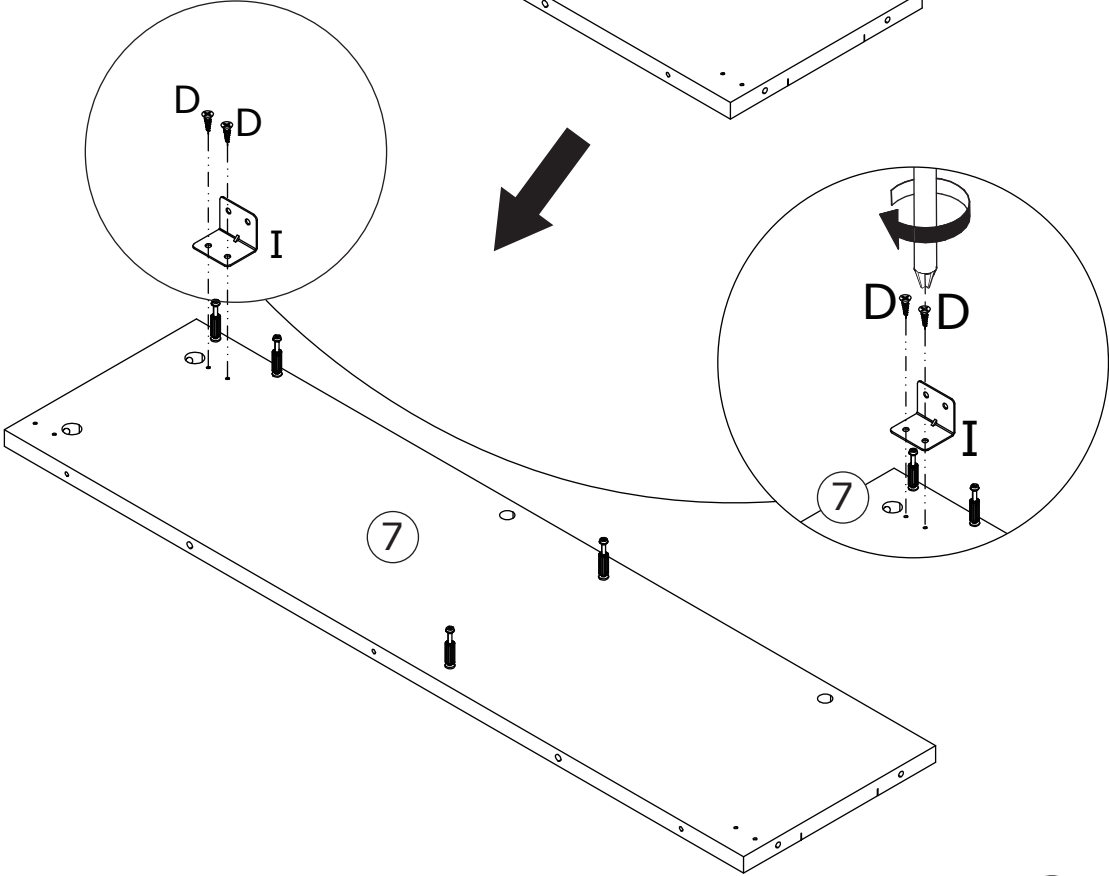
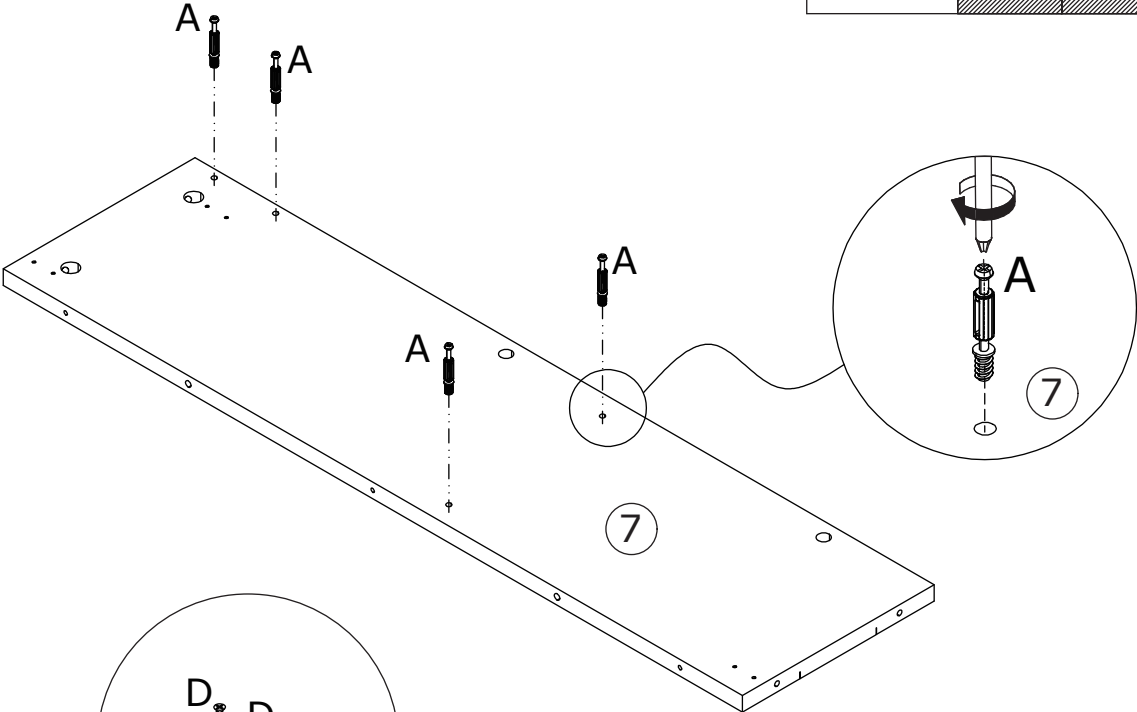
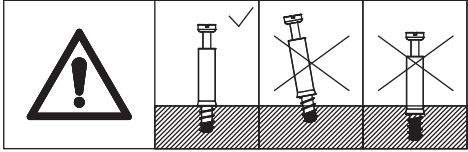
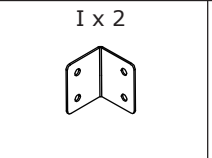
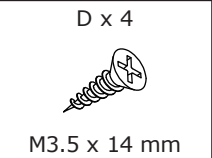
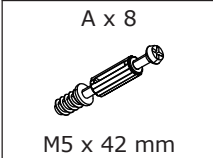
2



x2

Screw eccentric rod (A) onto plate 6.  
Secure the fitting (I) to plate 6 using screws (D).

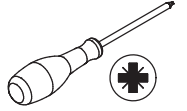
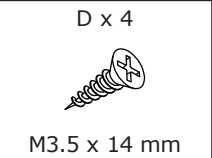
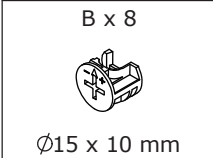
3



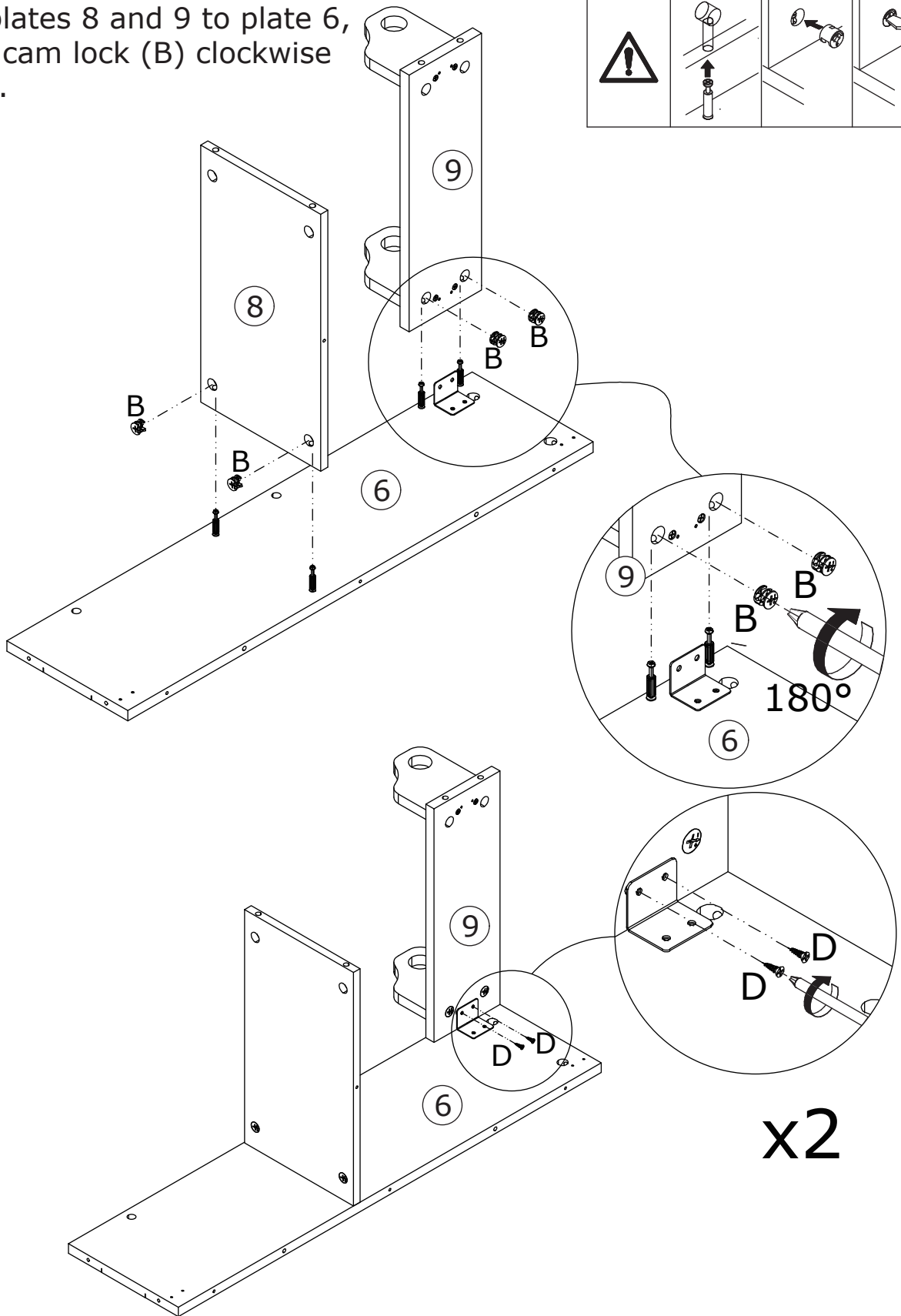
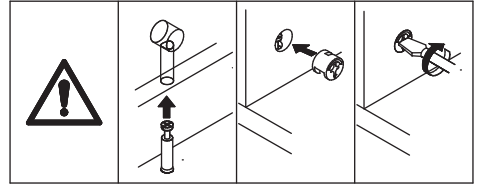
x2

Screw eccentric rod (A) onto plate 7.  
Secure the fitting (I) to plate 7 using screws (D).

4

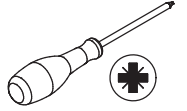
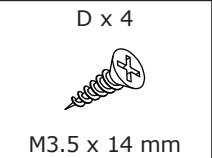
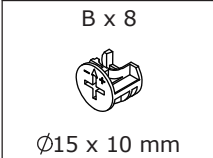


Connect plates 8 and 9 to plate 6, then turn cam lock (B) clockwise to tighten.

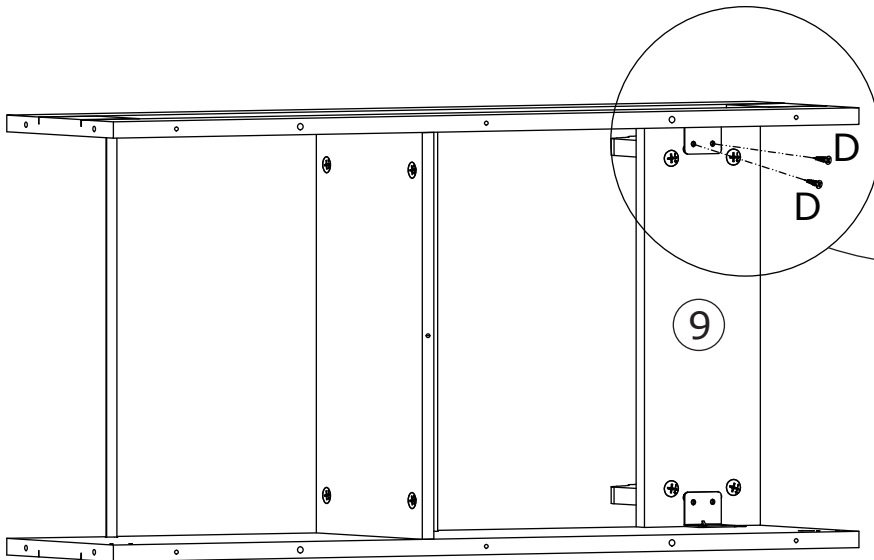
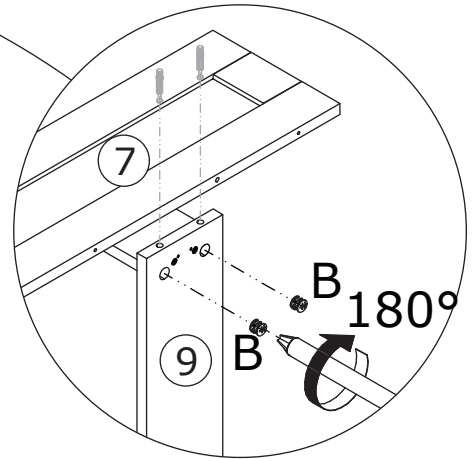
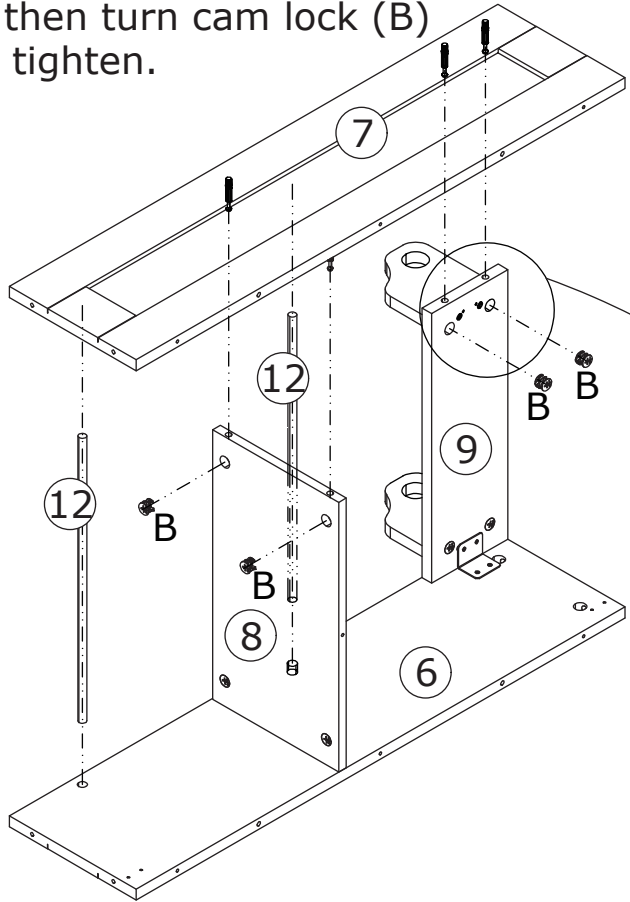
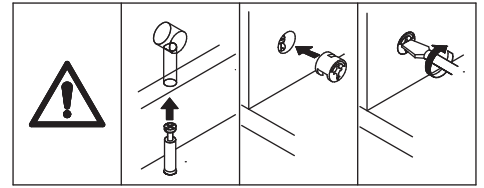


Secure the fitting (I) to plate 9 using screws (D).

5



Connect plates 8 and 9 to plate 7 and rod 12, then turn cam lock (B) clockwise to tighten.

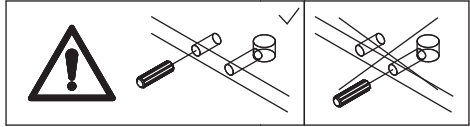
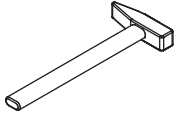


x2

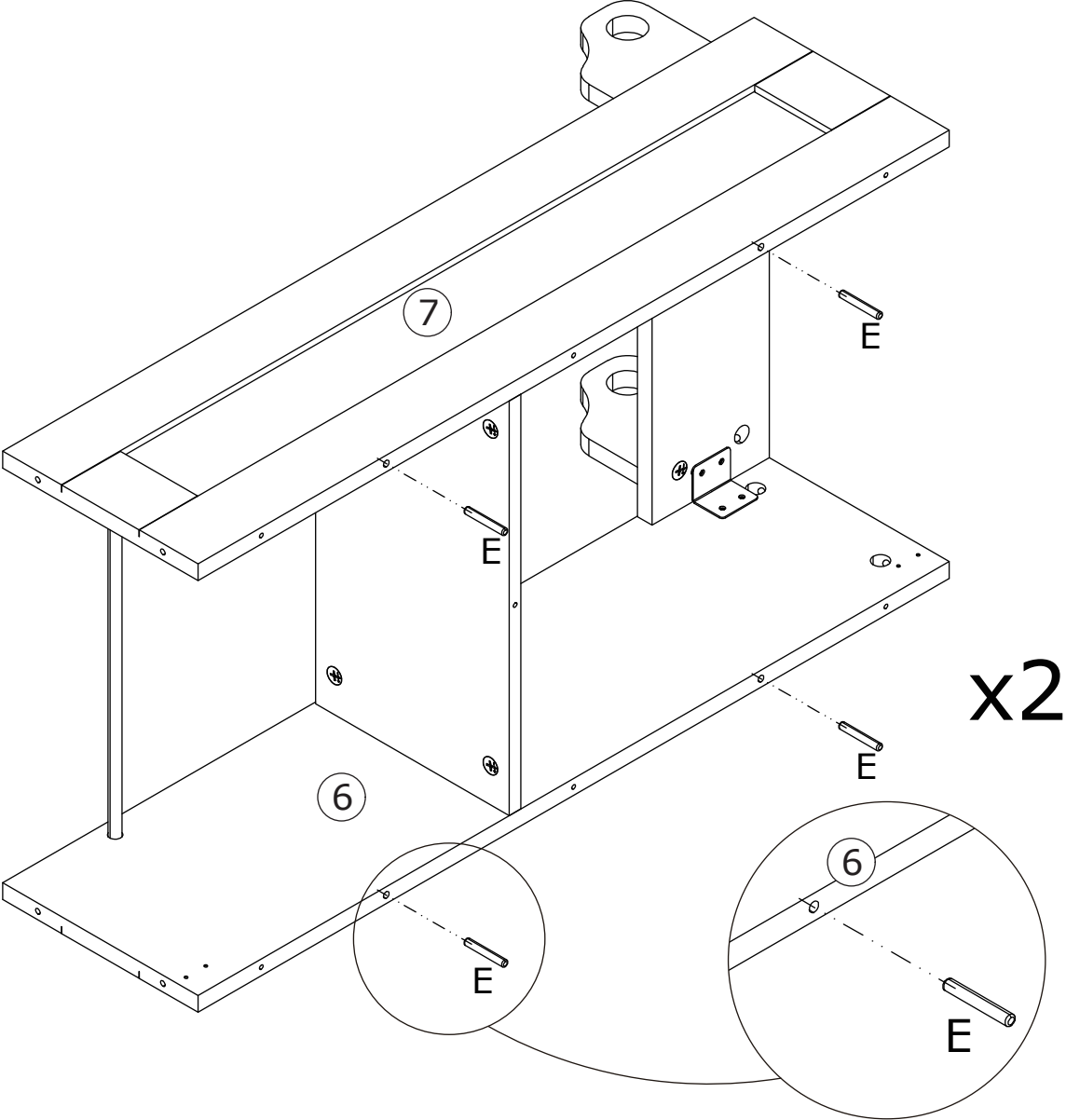
Secure the fitting (I) to plate 9 using screws (D).

6

E x 8  
Ø6 x 40 mm

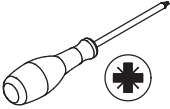


Insert wooden dowels (E) into plates 6 and 7.

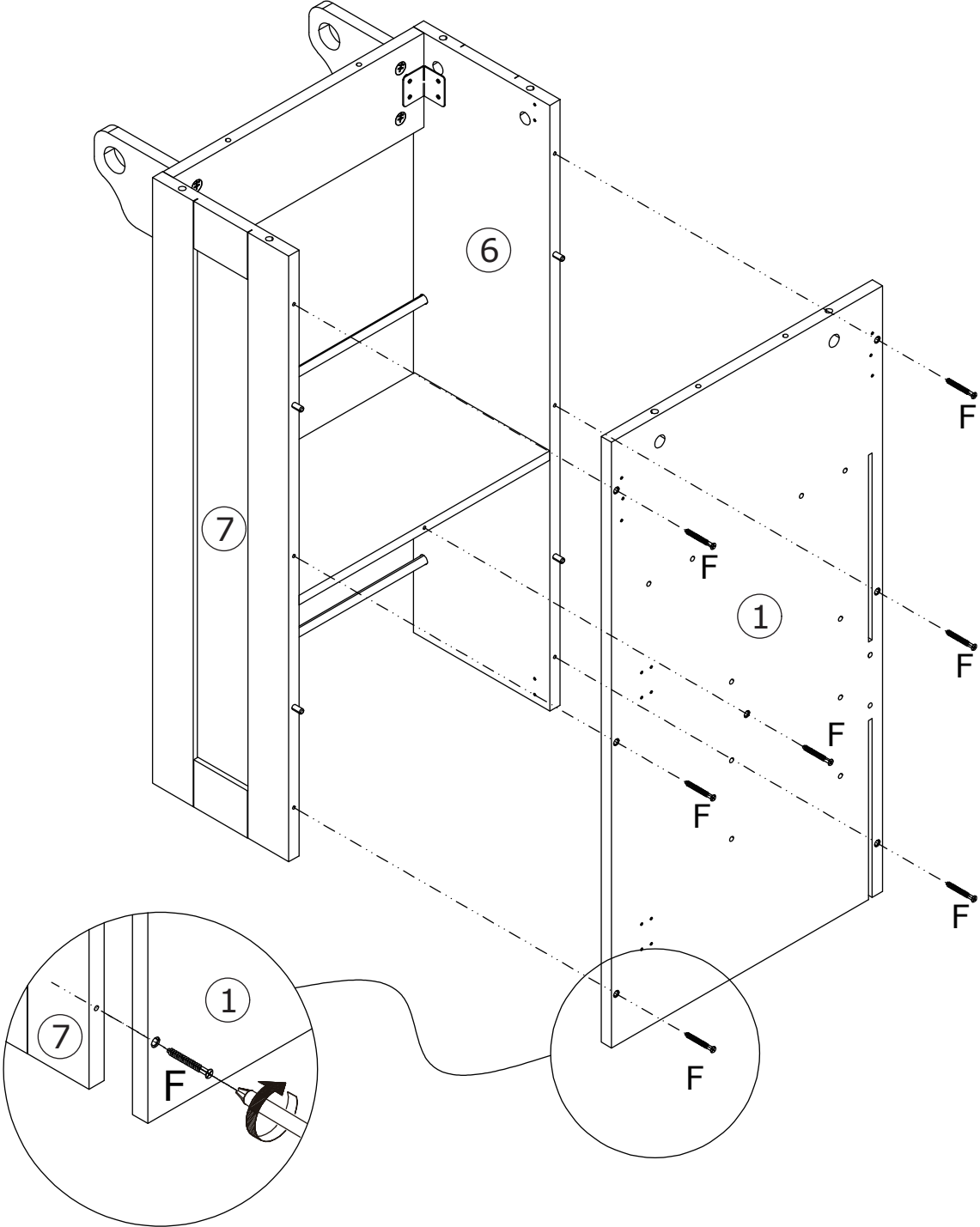


7

F x 7  
M5 x 40 mm

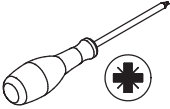


Secure plate 1 to plates 6 and 7 with screws (F).

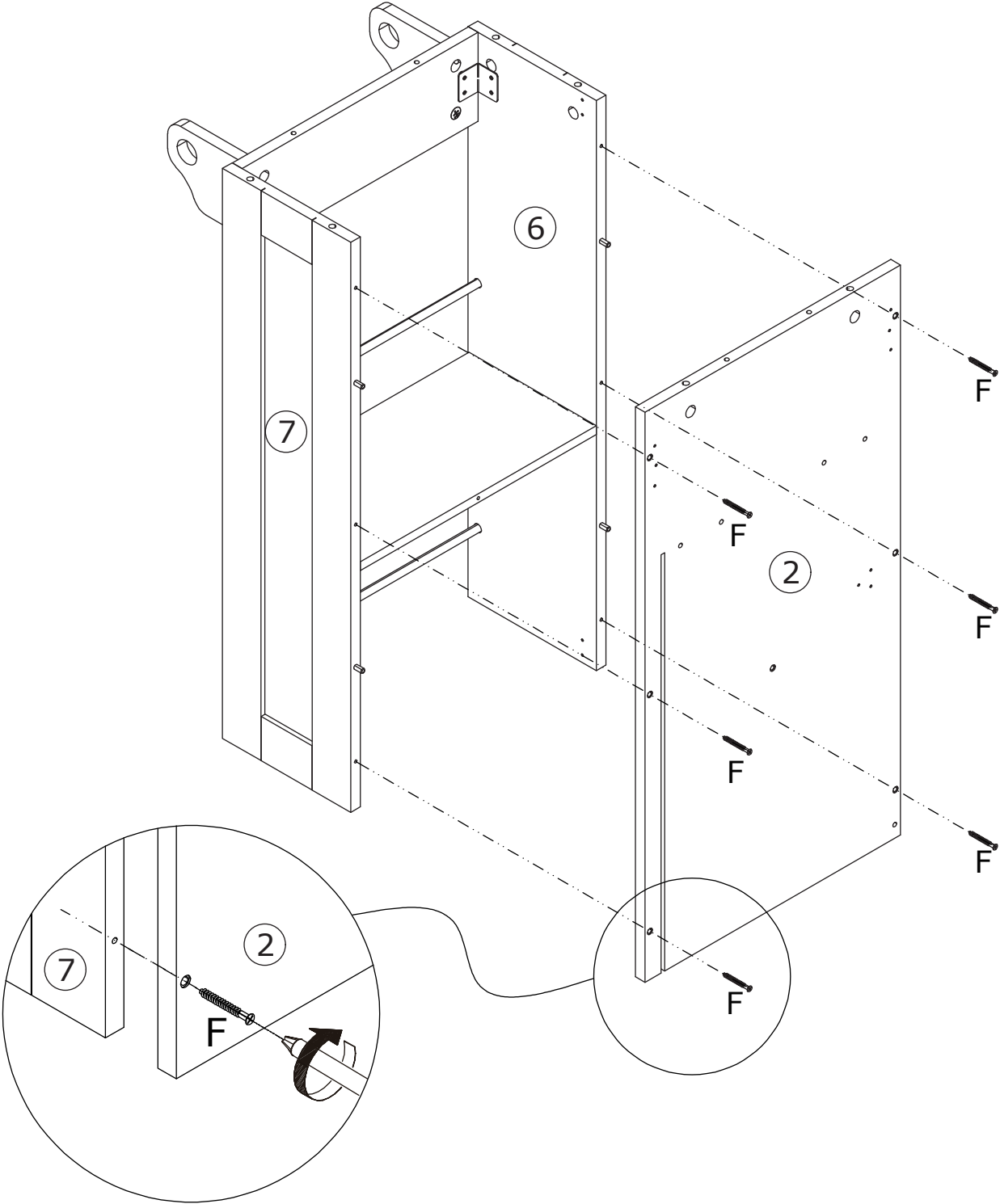


8

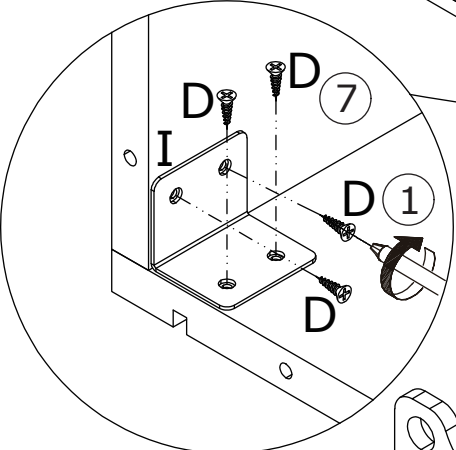
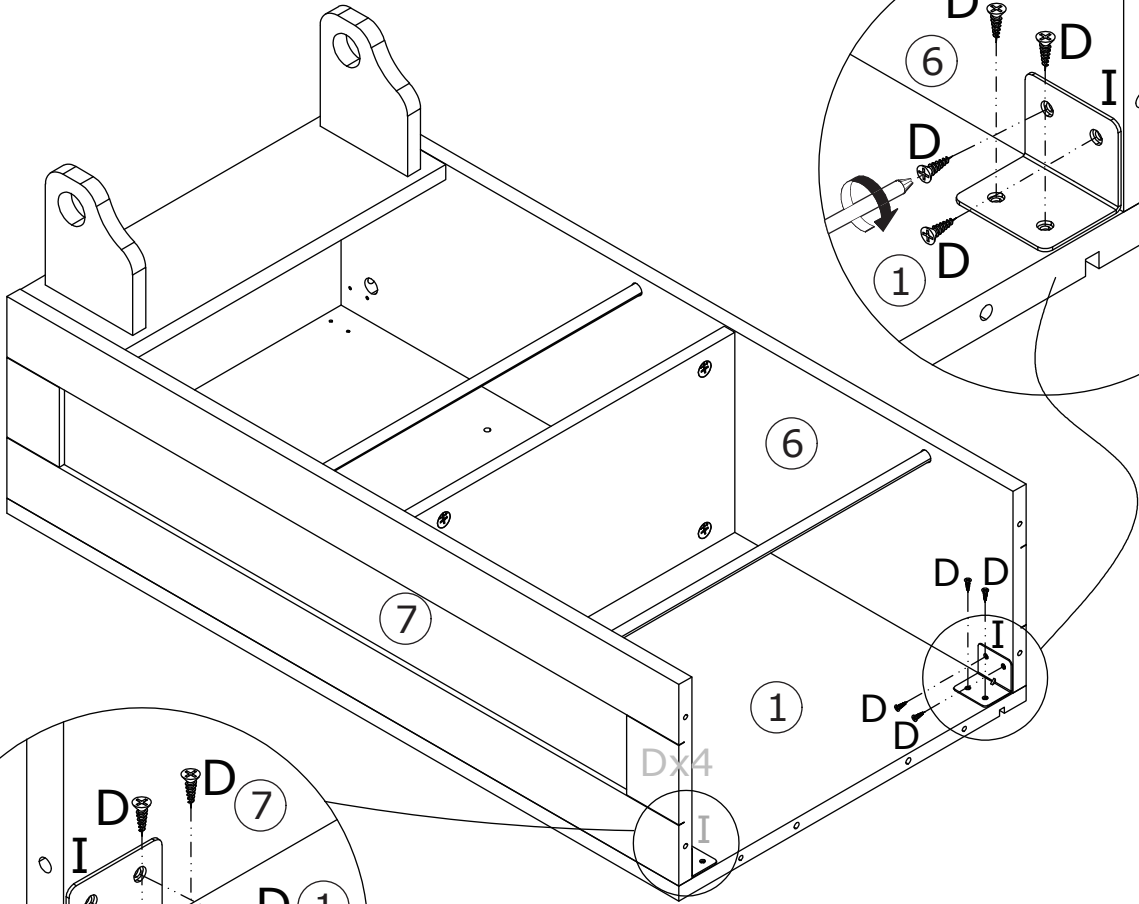
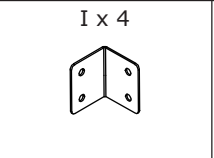
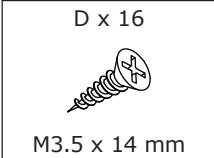
F x 7  
M5 x 40 mm



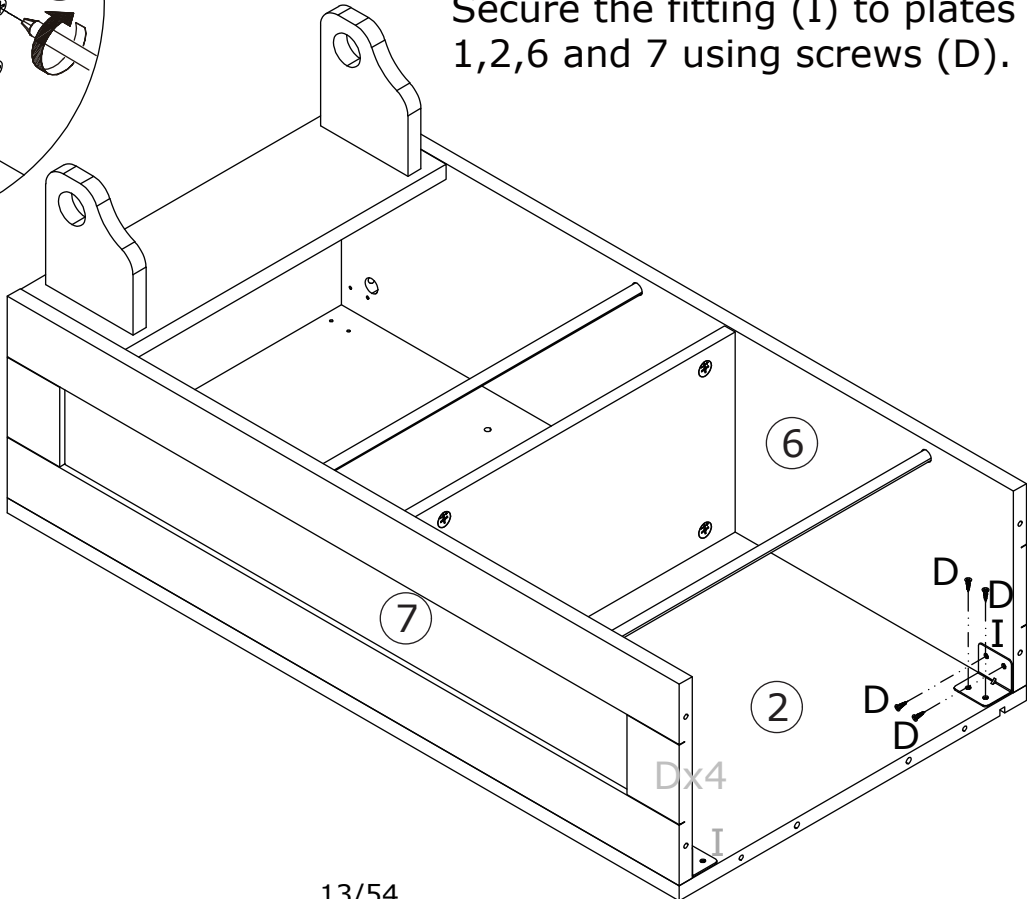
Secure plate 2 to plates 6 and 7 with screws (F).



9

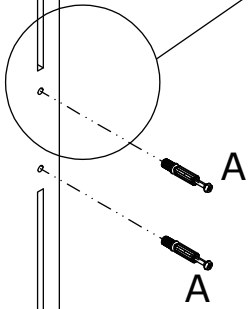
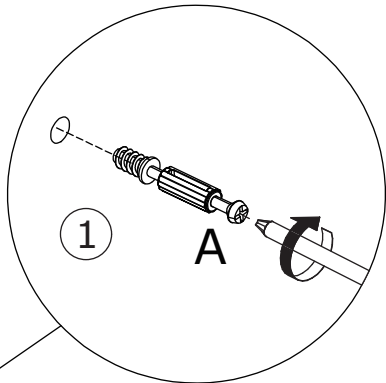
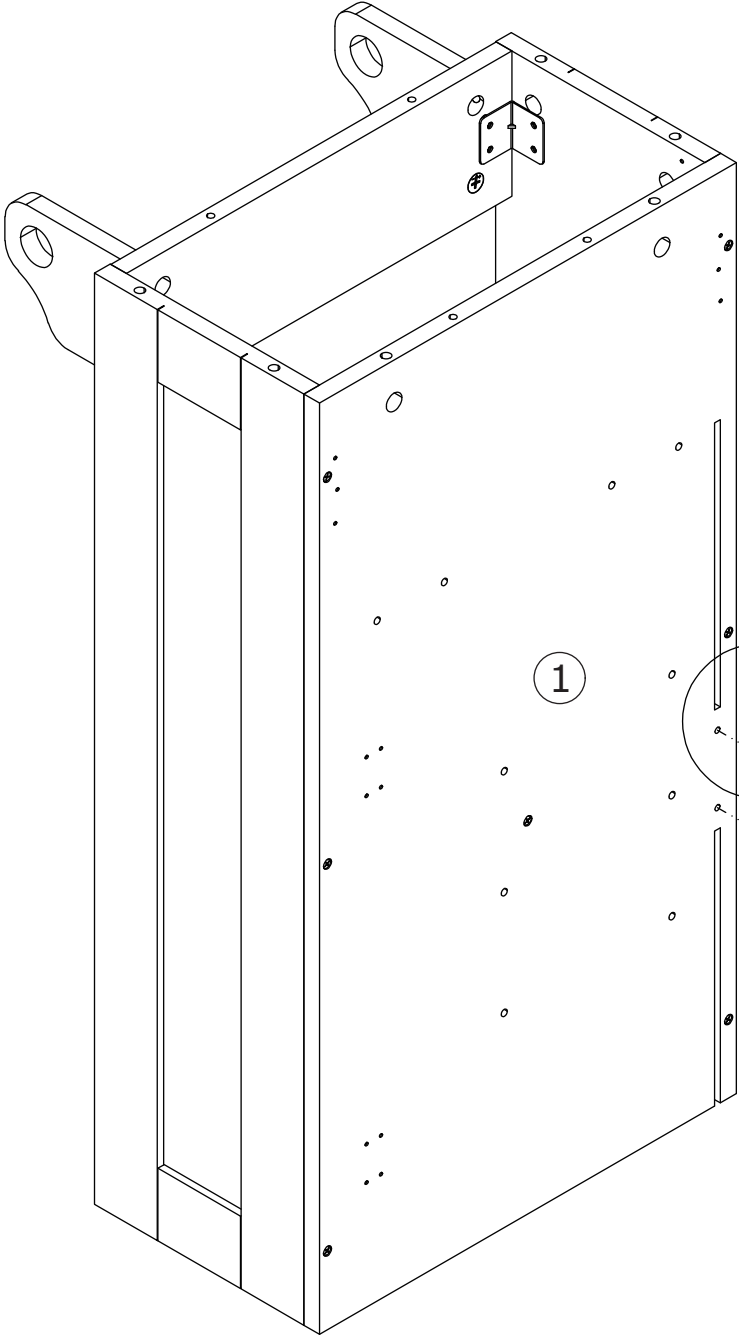
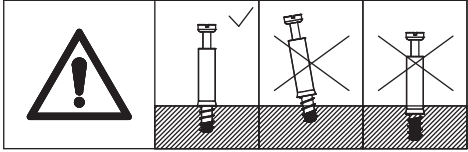
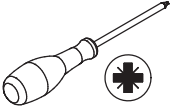


Secure the fitting (I) to plates 1,2,6 and 7 using screws (D).



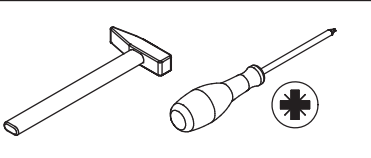
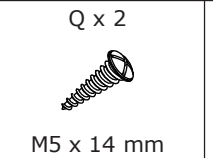
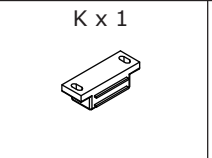
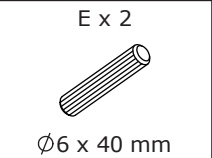
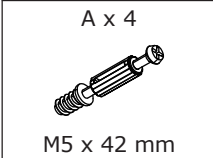
10

A x 2  
M5 x 42 mm

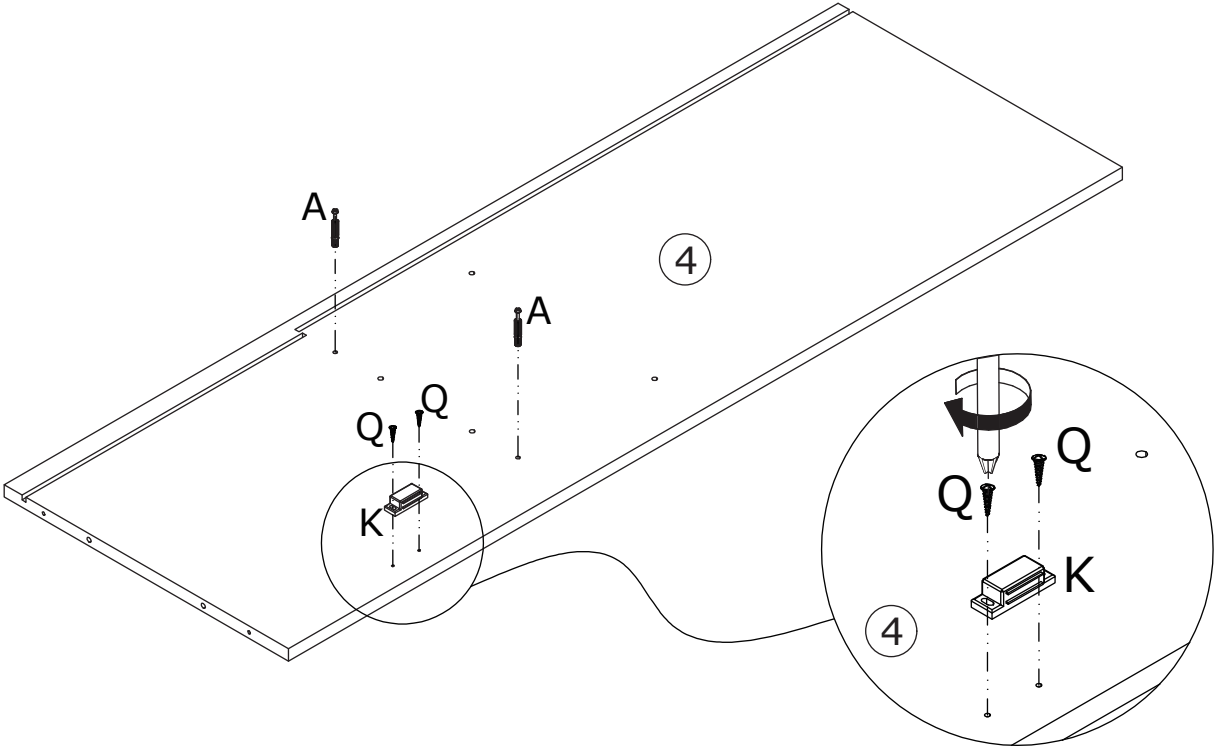
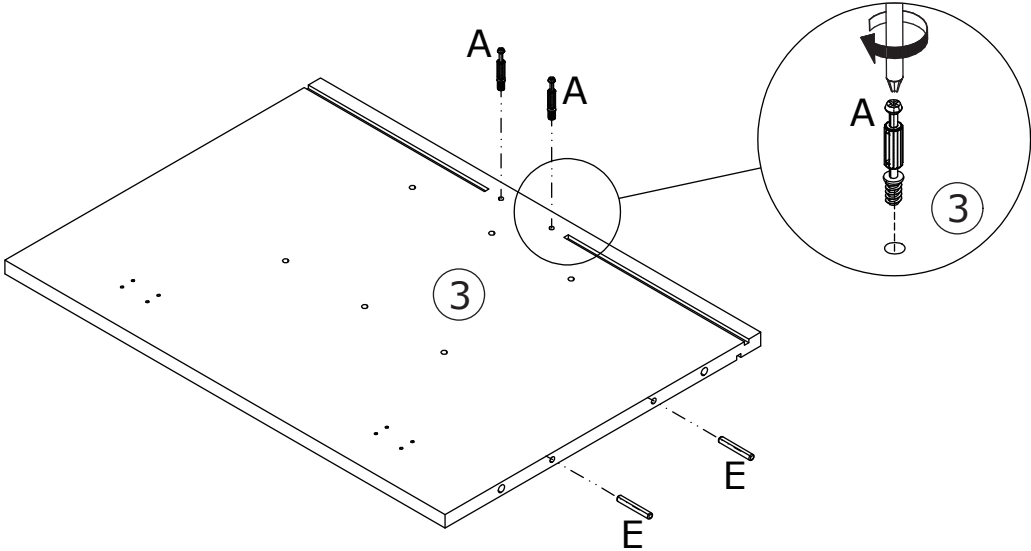
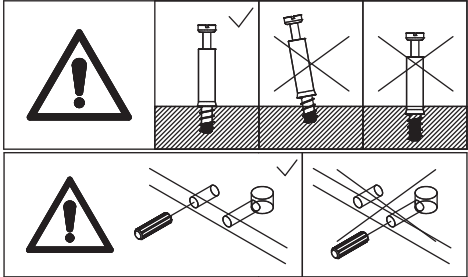


Screw eccentric rod (A) onto plate 1.

11



Screw eccentric rod (A) and insert wooden dowels (E) onto plate 3 and 4.



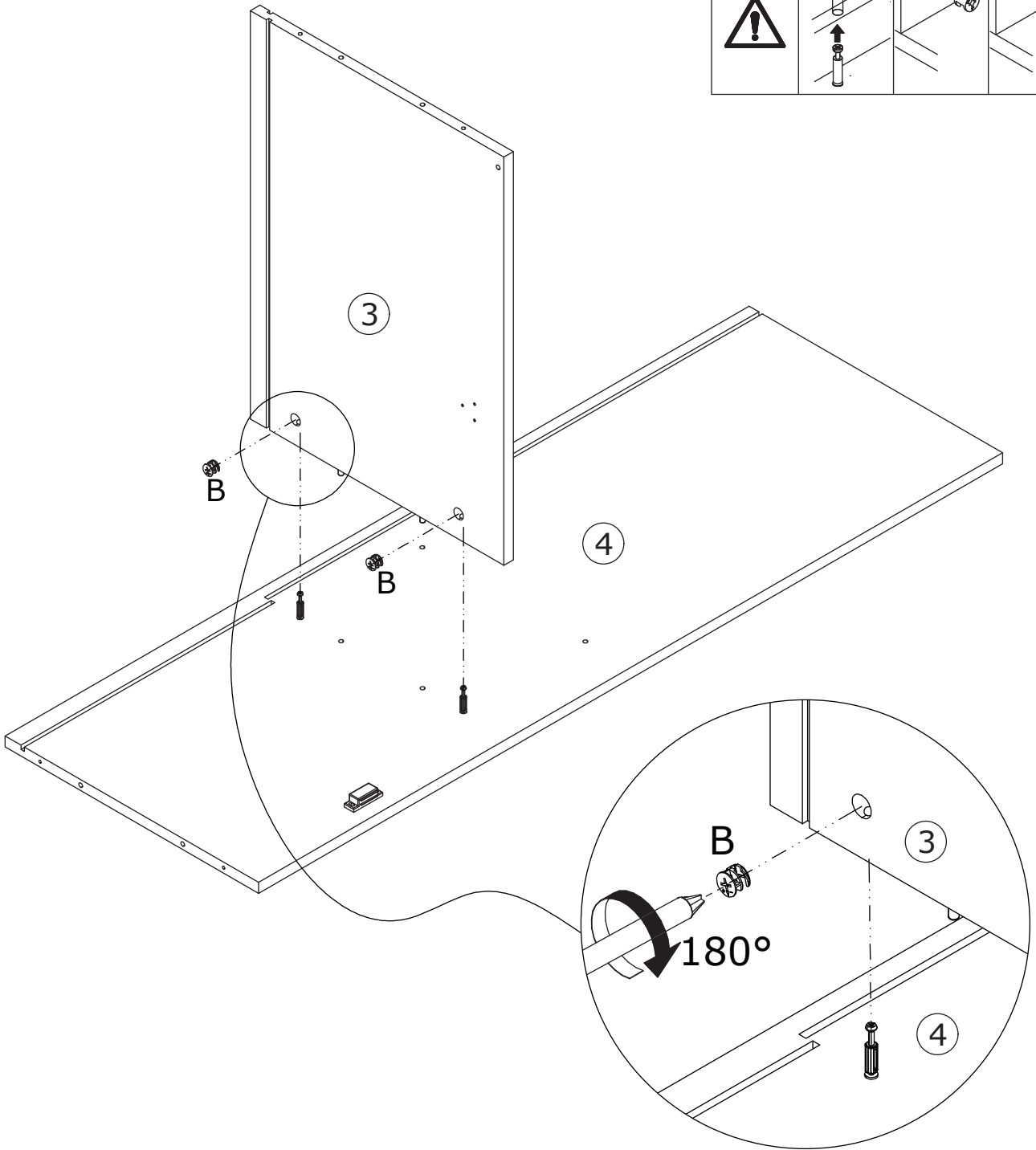
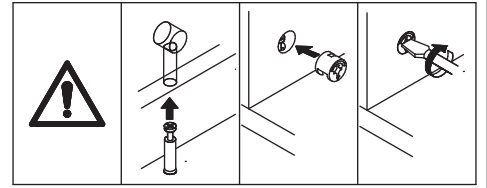
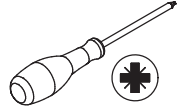
Secure the fitting (K) to plate 4 using screws (Q).

12

B x 2





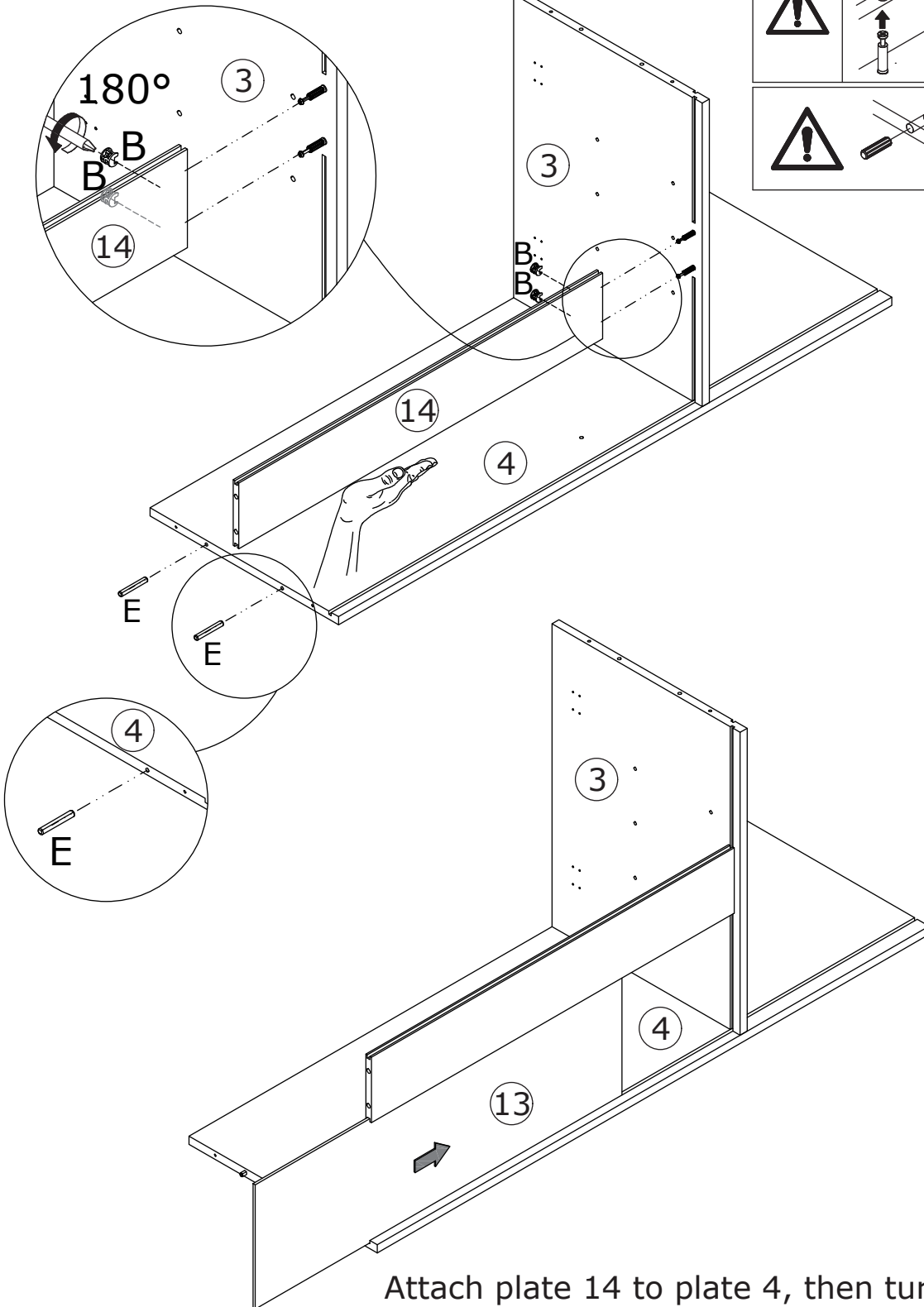
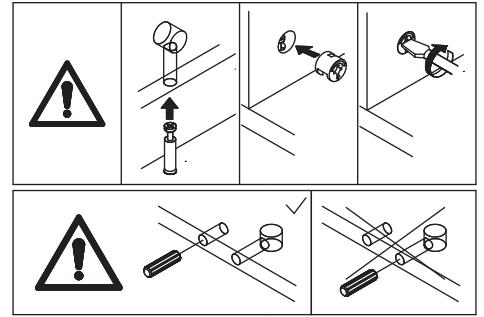
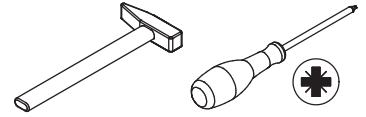
Ø15 x 10 mm



Connect plate 3 to plate 4, then turn cam lock (B) clockwise to tighten.

13

B x 2  Ø15 x 10 mm	E x 2  Ø6 x 40 mm
---	--



Attach plate 14 to plate 4, then turn cam lock (B) clockwise to tighten.  
Insert wooden dowels (E) into plate 4.  
Slide plate 13 into the available slots.

# 14

B x 2

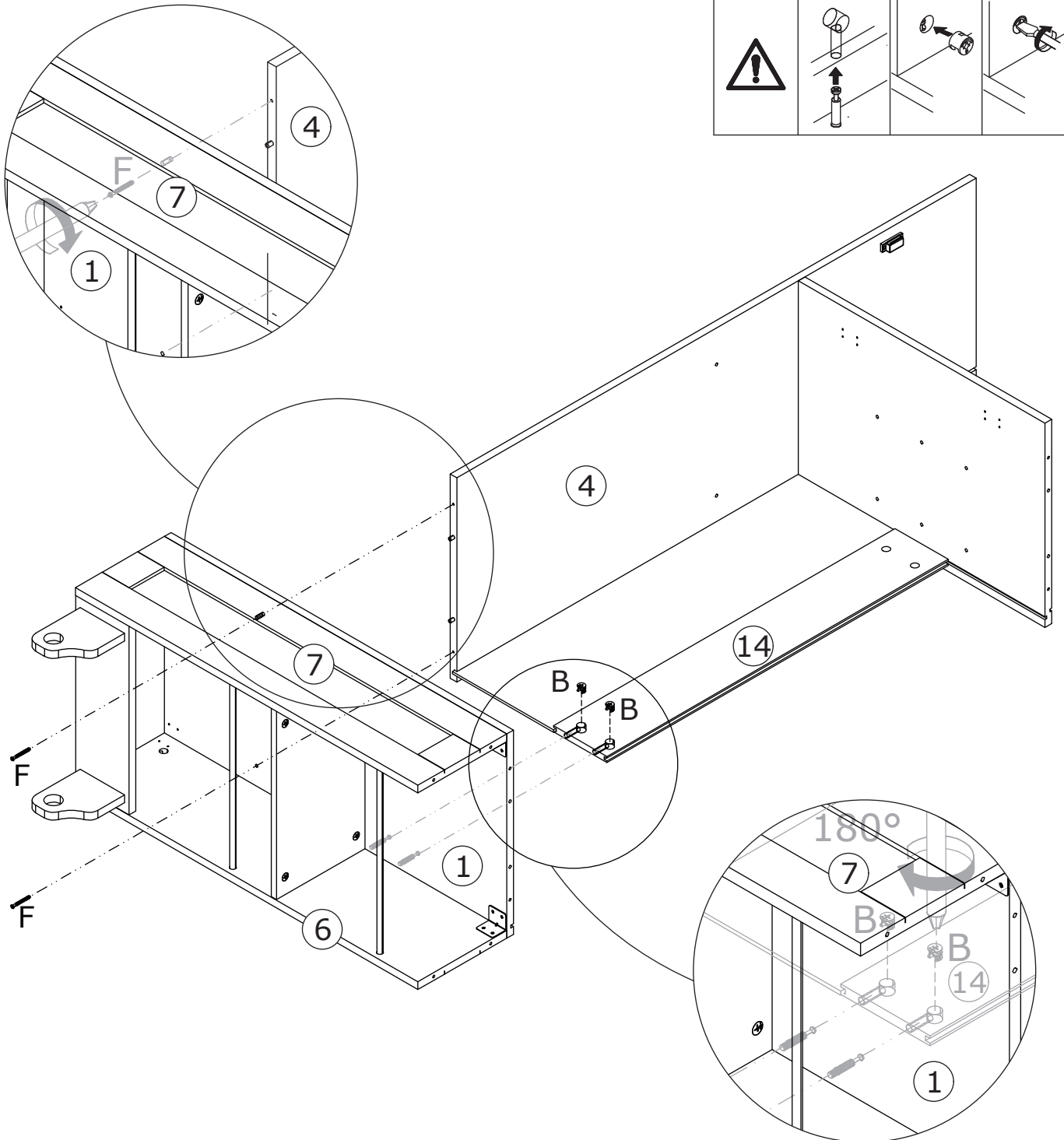
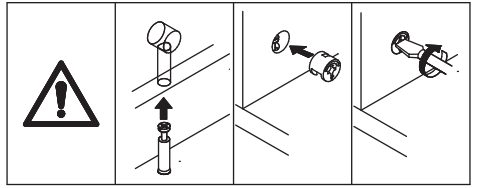
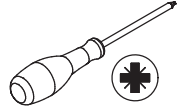


Ø15 x 10 mm

F x 2

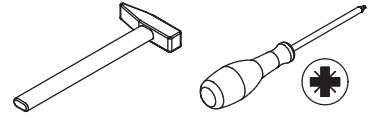
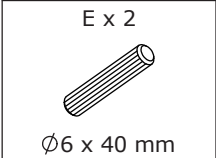


M5 x 40 mm

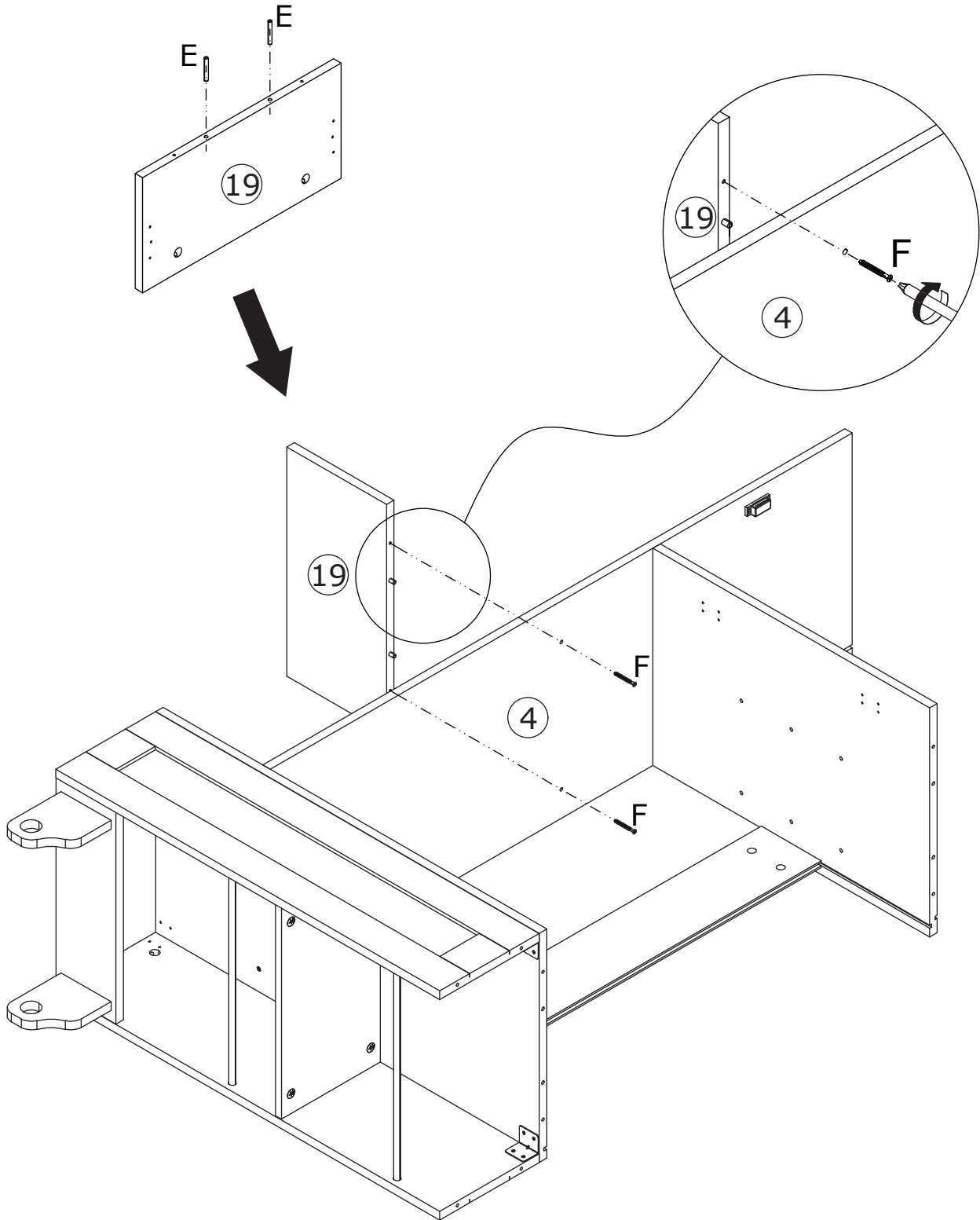
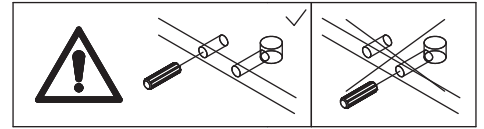


Connect plates 4 and 14 to plate 7, then turn cam lock (B) clockwise to tighten.  
Secure plates 7 and 4 with screws (F).

15

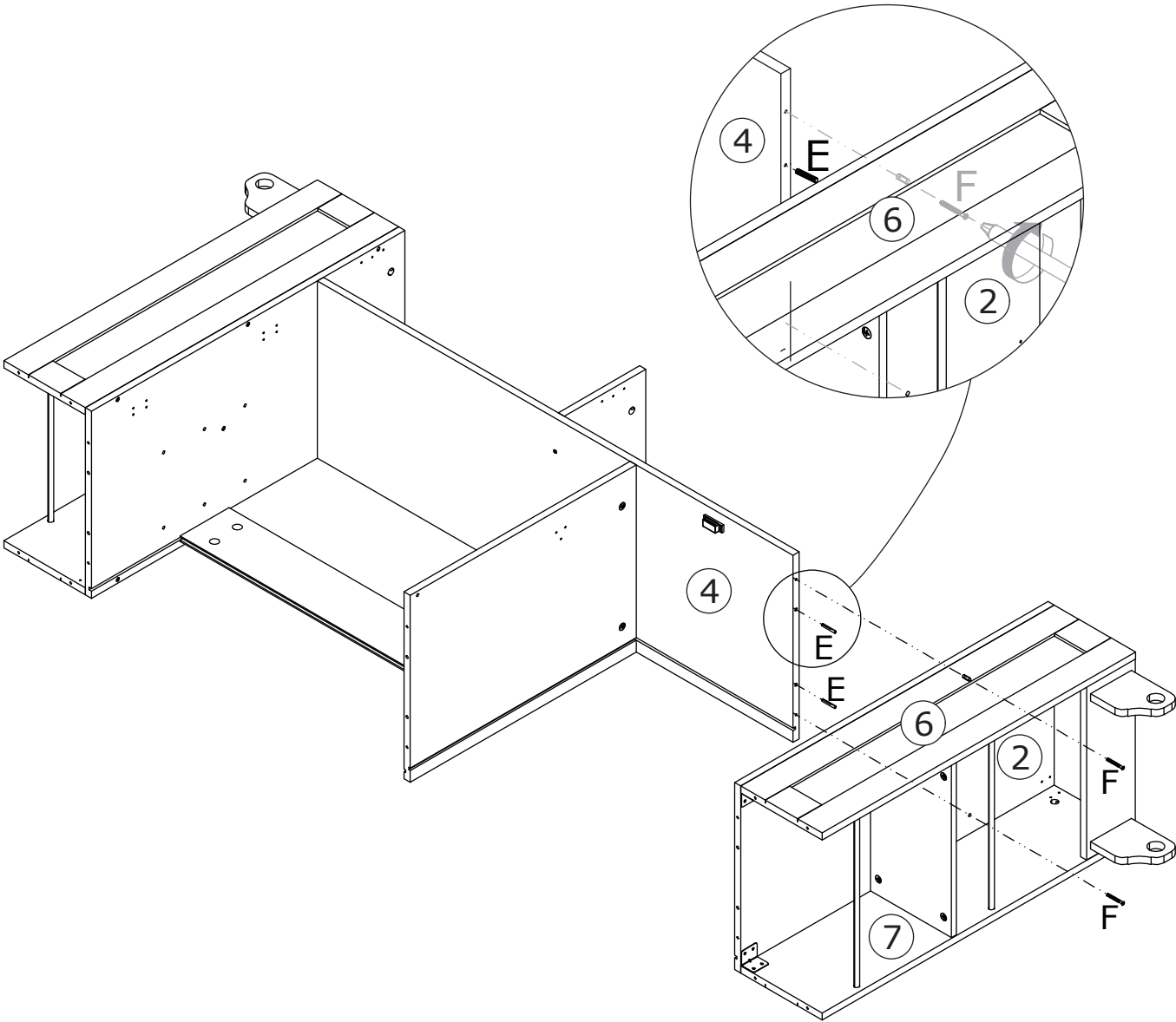
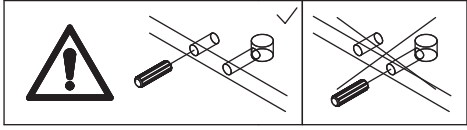
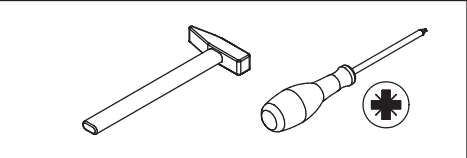
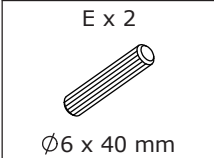


Insert wooden dowels (E) into panel 19.



Secure plate 19 to plate 4 with screws (F).

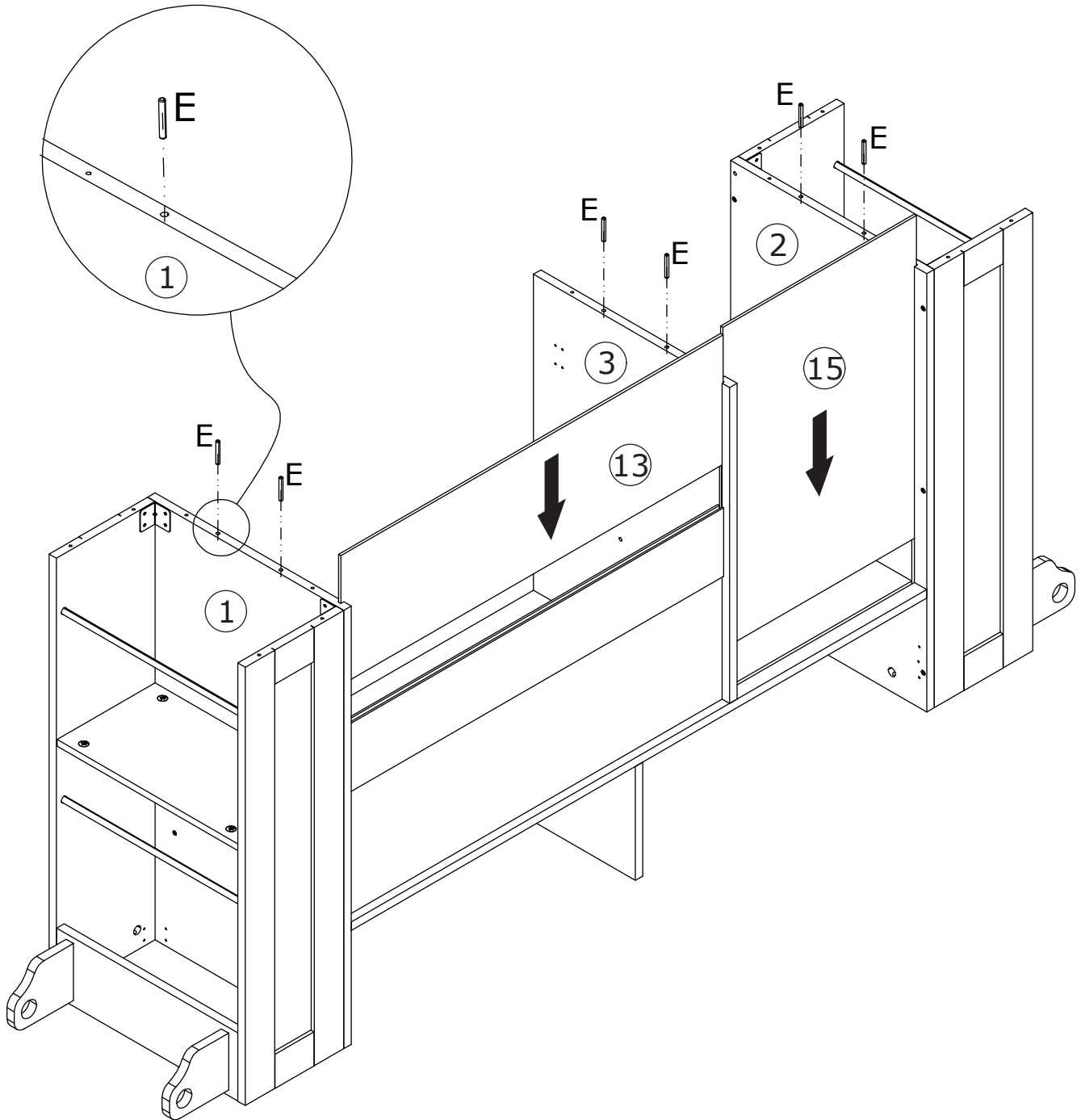
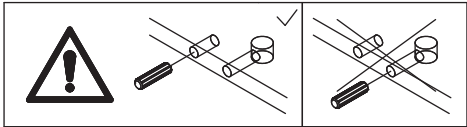
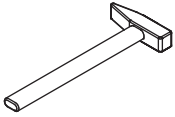
16



Connect plate 4 and plate 2 using wooden dowels (E), then secure with screws (F).

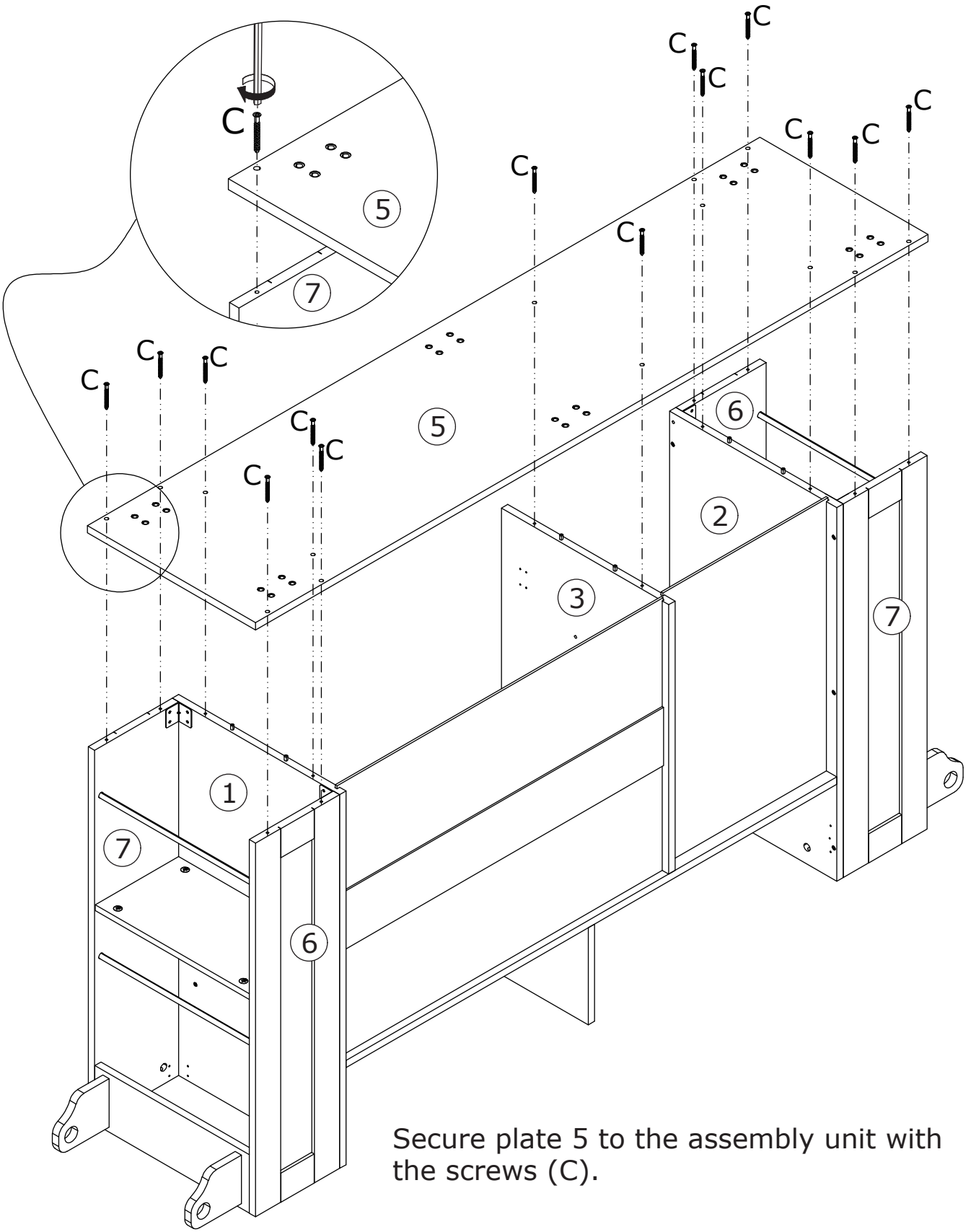
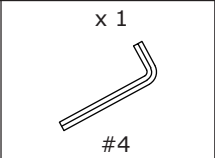
17

E x 6  
Ø6 x 40 mm





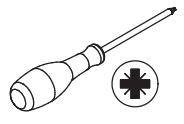


Insert wooden dowels (E) into plates 1, 2, and 3.  
Slide plates 13 and 15 into the available slots.

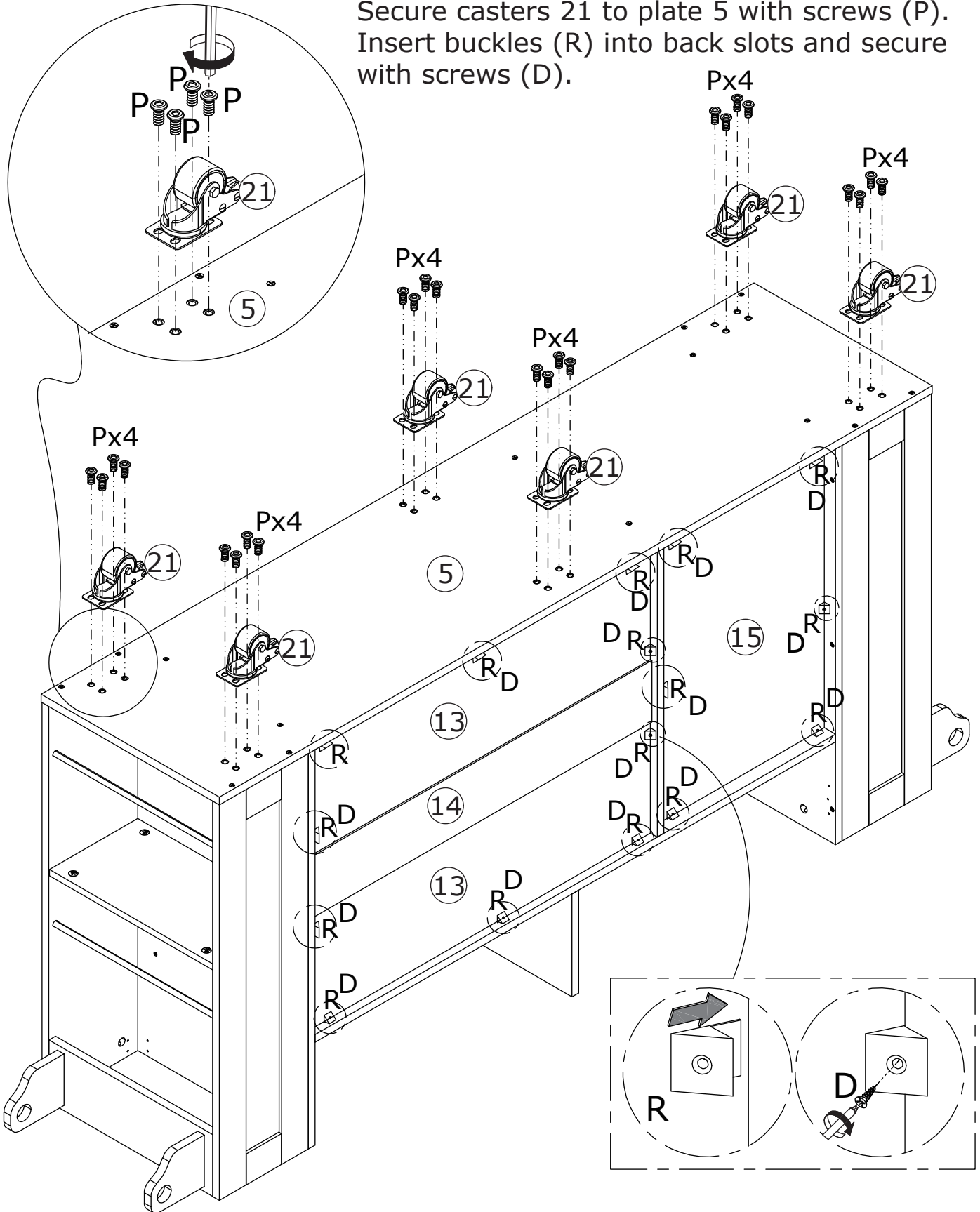
18



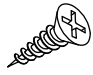
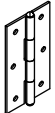
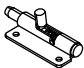
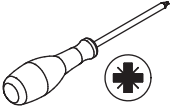
# 19

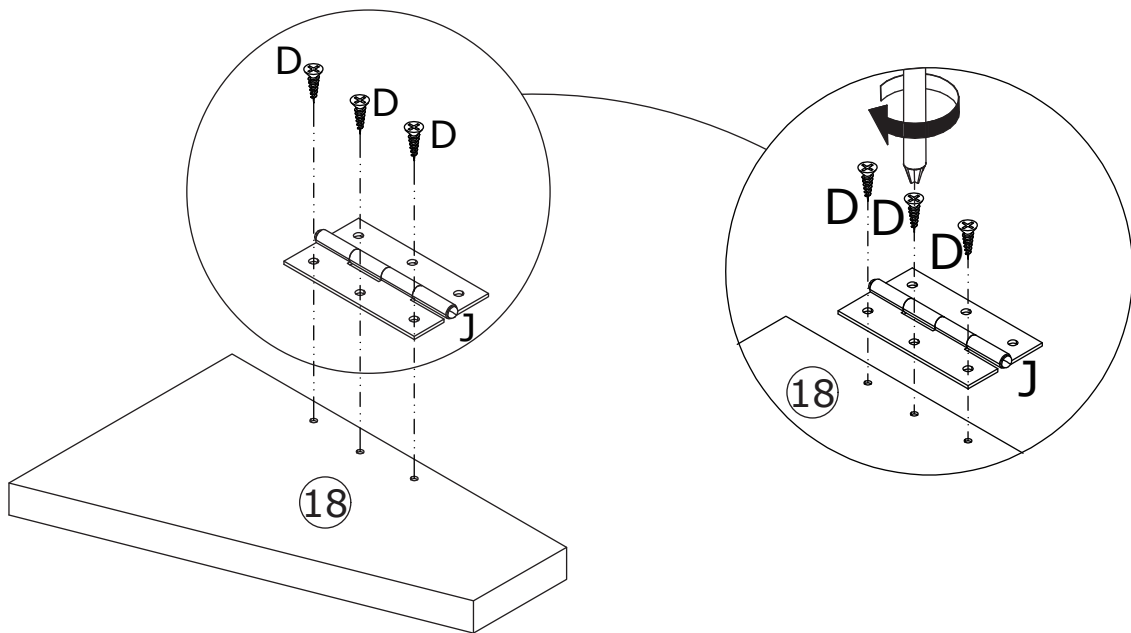
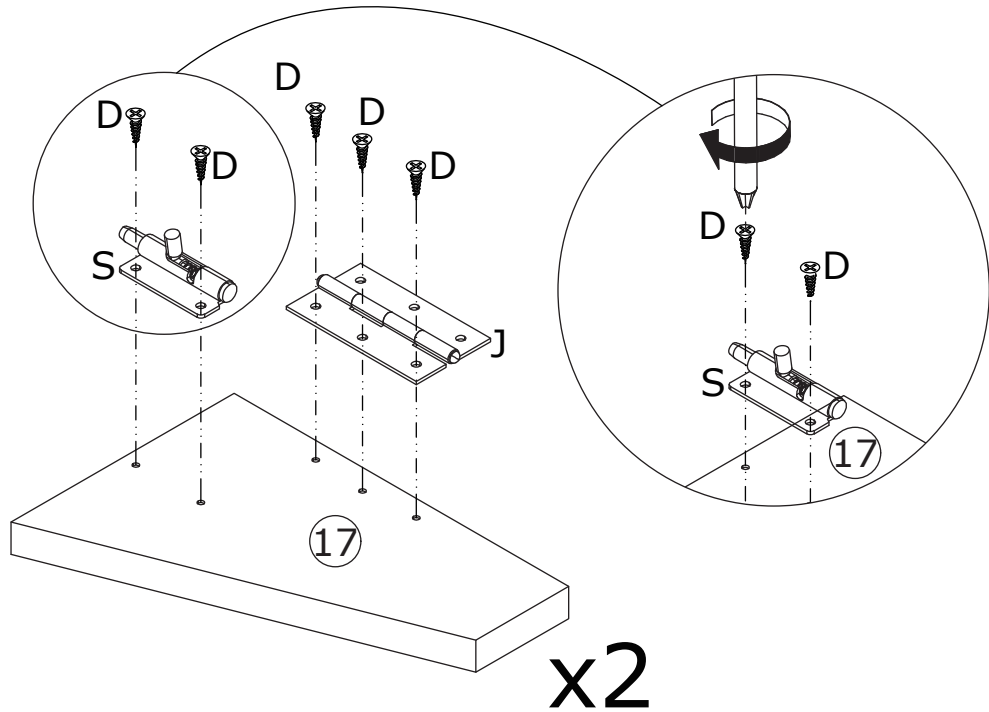
D x 16  Ø6 x 35 mm	P x 24  M6 x 12 mm	R x 16 	x 1  #4	
---	---	---	---	---

Secure casters 21 to plate 5 with screws (P).  
Insert buckles (R) into back slots and secure  
with screws (D).



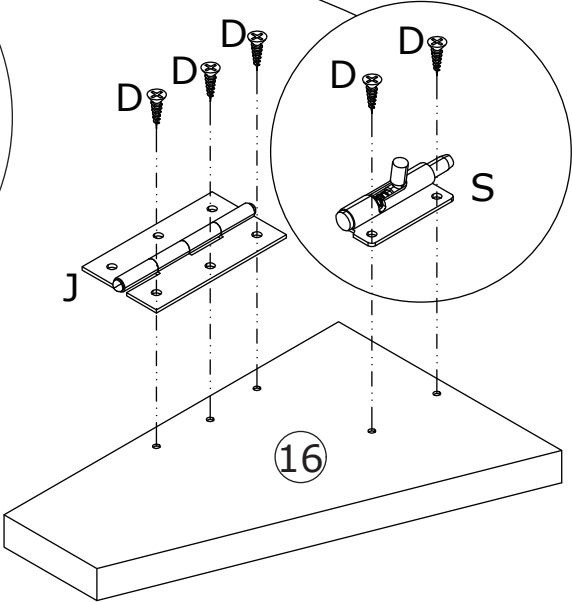
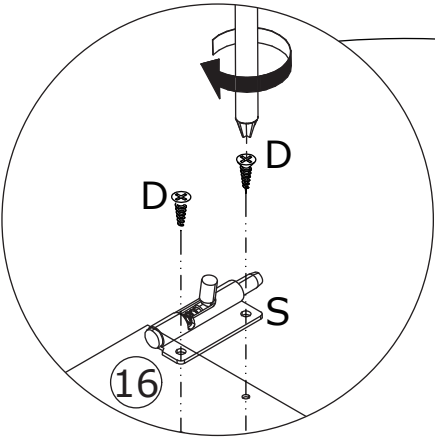
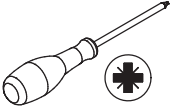
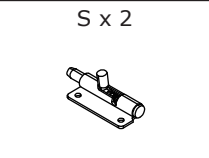
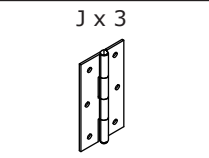
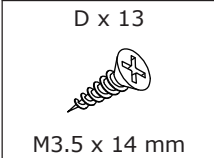
20

<p>D x 13 M3.5 x 14 mm</p> 	<p>J x 3</p> 	<p>S x 2</p> 	
--	--	--	---

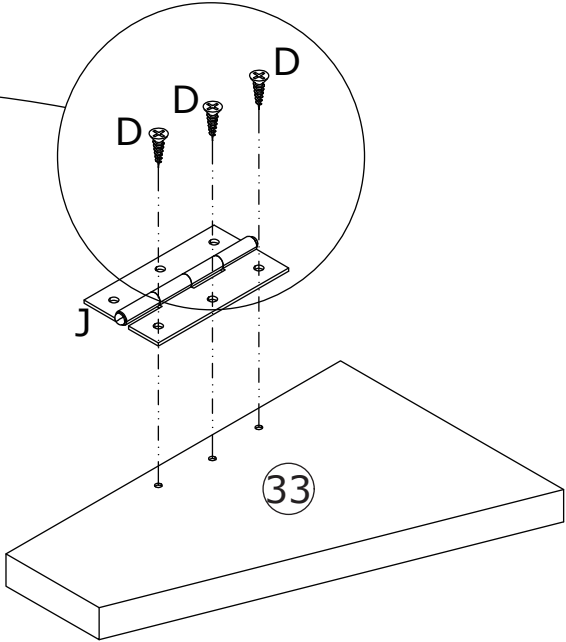
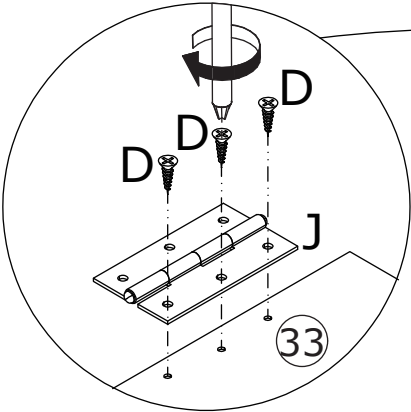


Secure hinge (J) to plates 17 and 18 using screws (D).  
Secure bolt (S) to plate 17 using screws (D).

21



x2



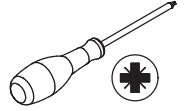
Secure hinge (J) to plates 16 and 33 using screws (D).  
Secure bolt (S) to plate 16 using screws (D).

22

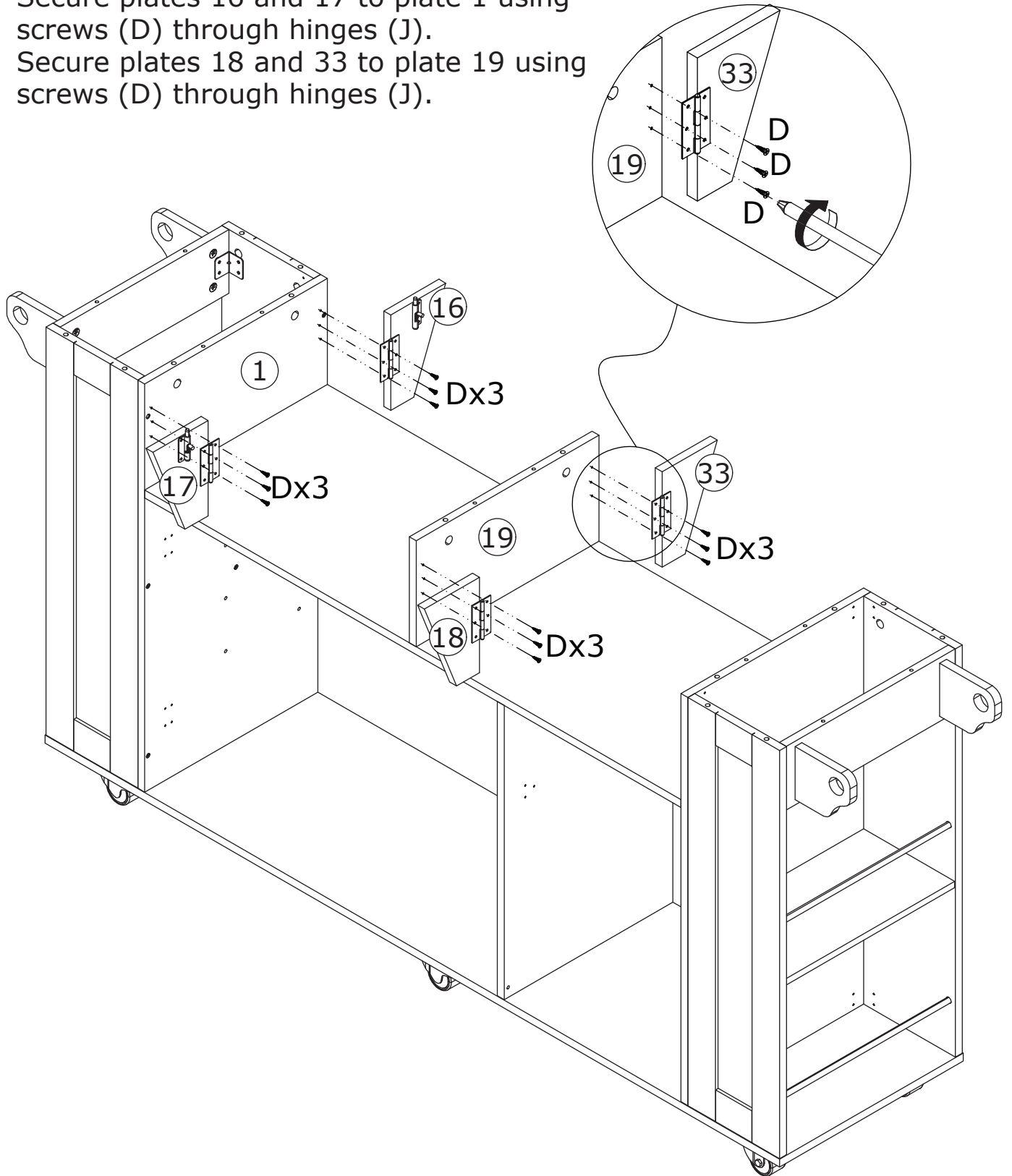
D x 12



M3.5 x 14 mm



Secure plates 16 and 17 to plate 1 using screws (D) through hinges (J).  
Secure plates 18 and 33 to plate 19 using screws (D) through hinges (J).

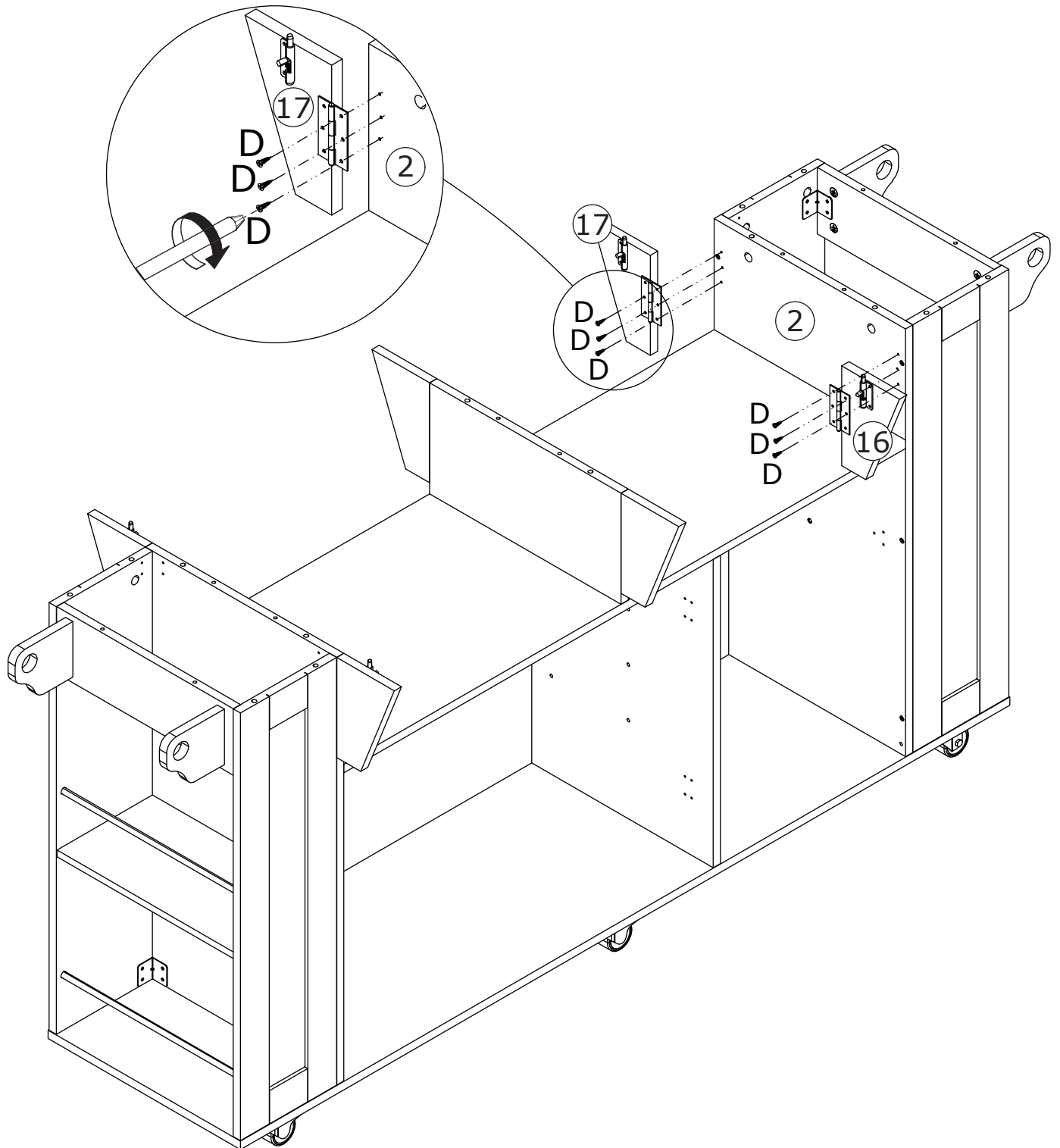
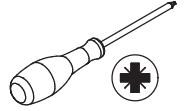


23

D x 6

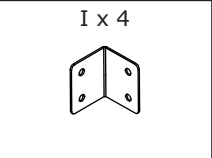
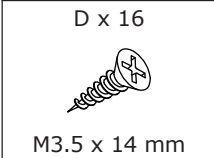


M3.5 x 14 mm

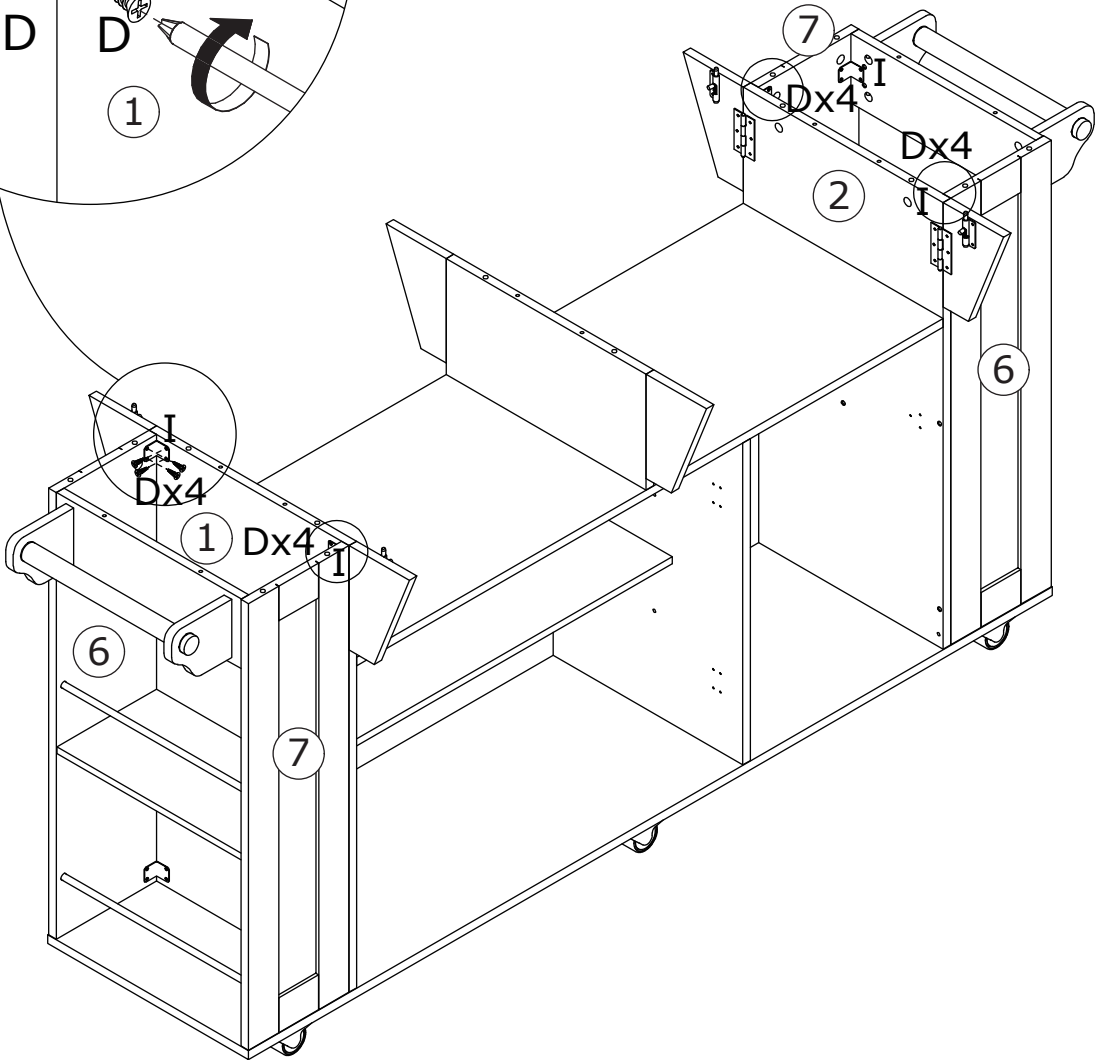
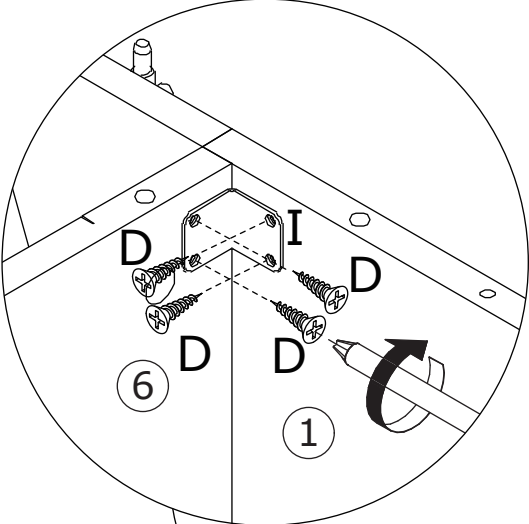


Secure plates 16 and 17 to plate 2 using screws (D) through hinges (J).

24

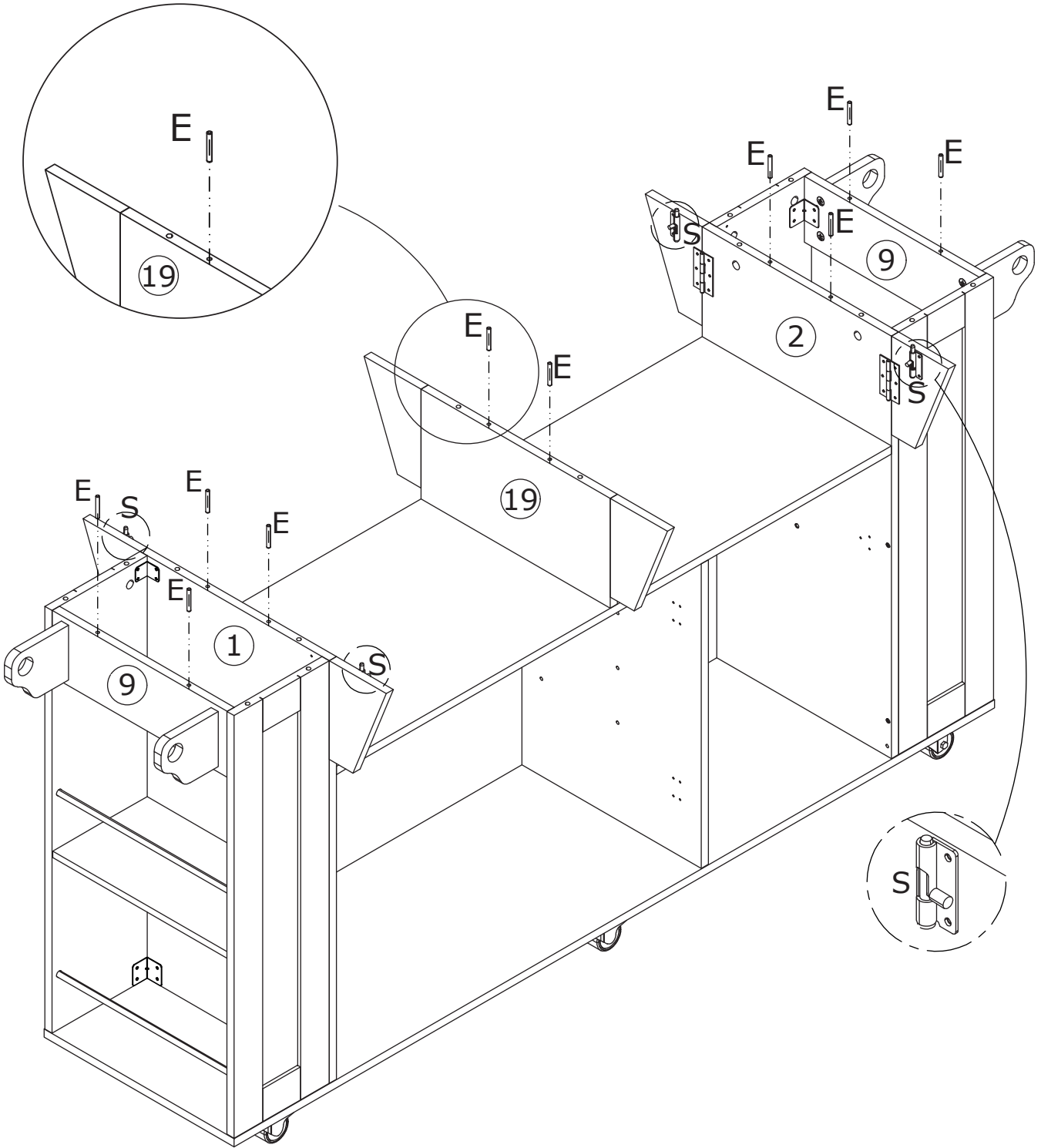
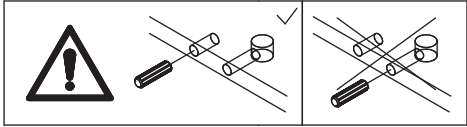
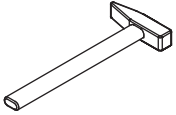


Secure the fittings (I) to plates 1, 2, 6, and 7 using screws (D).



25

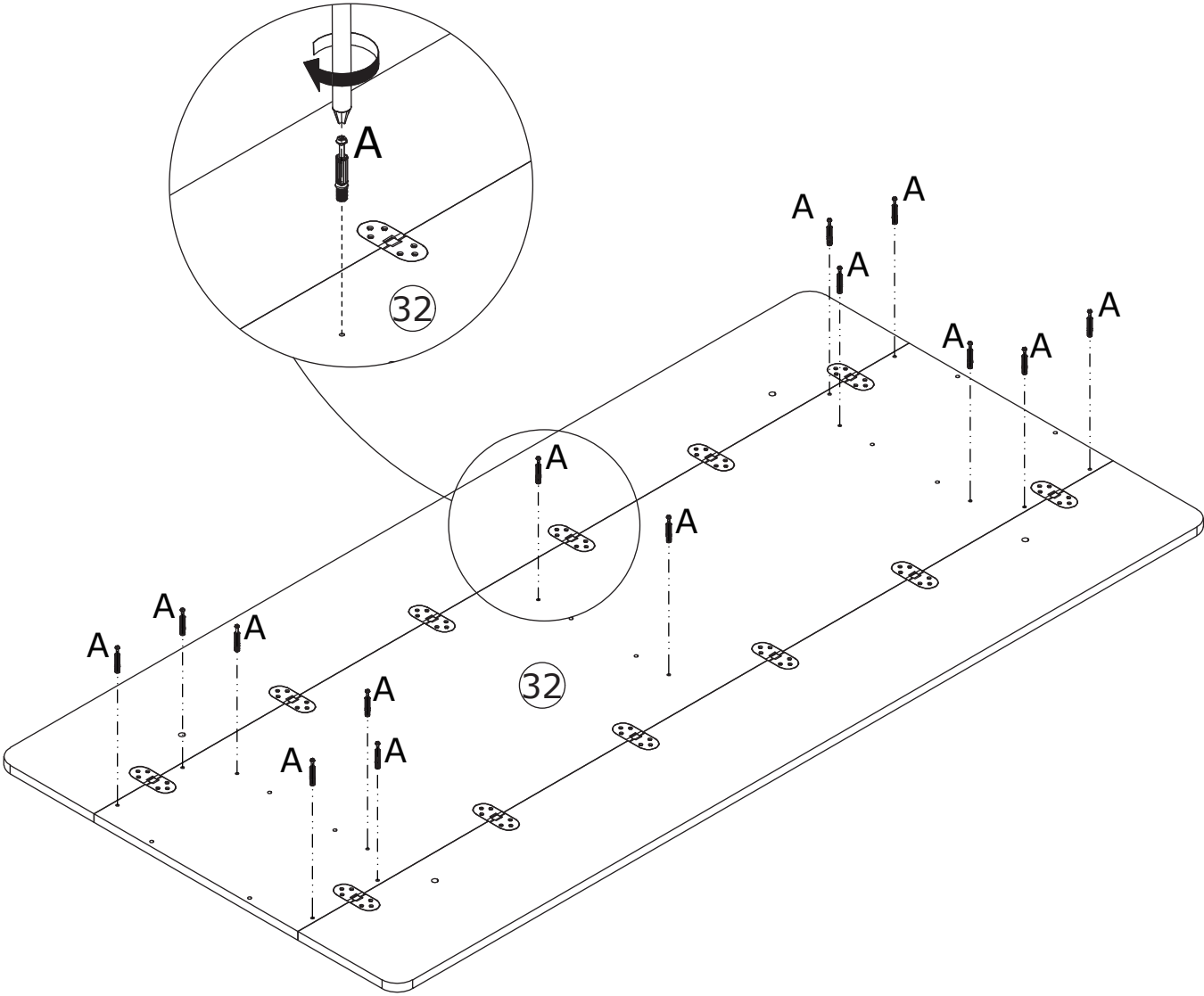
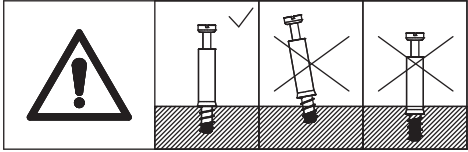
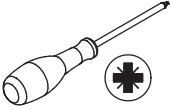
E x 10  
Ø6 x 40 mm



Insert wooden dowels (E) into plates 1, 2, 9, and 19.

26

A x 14  
M5 x 42 mm



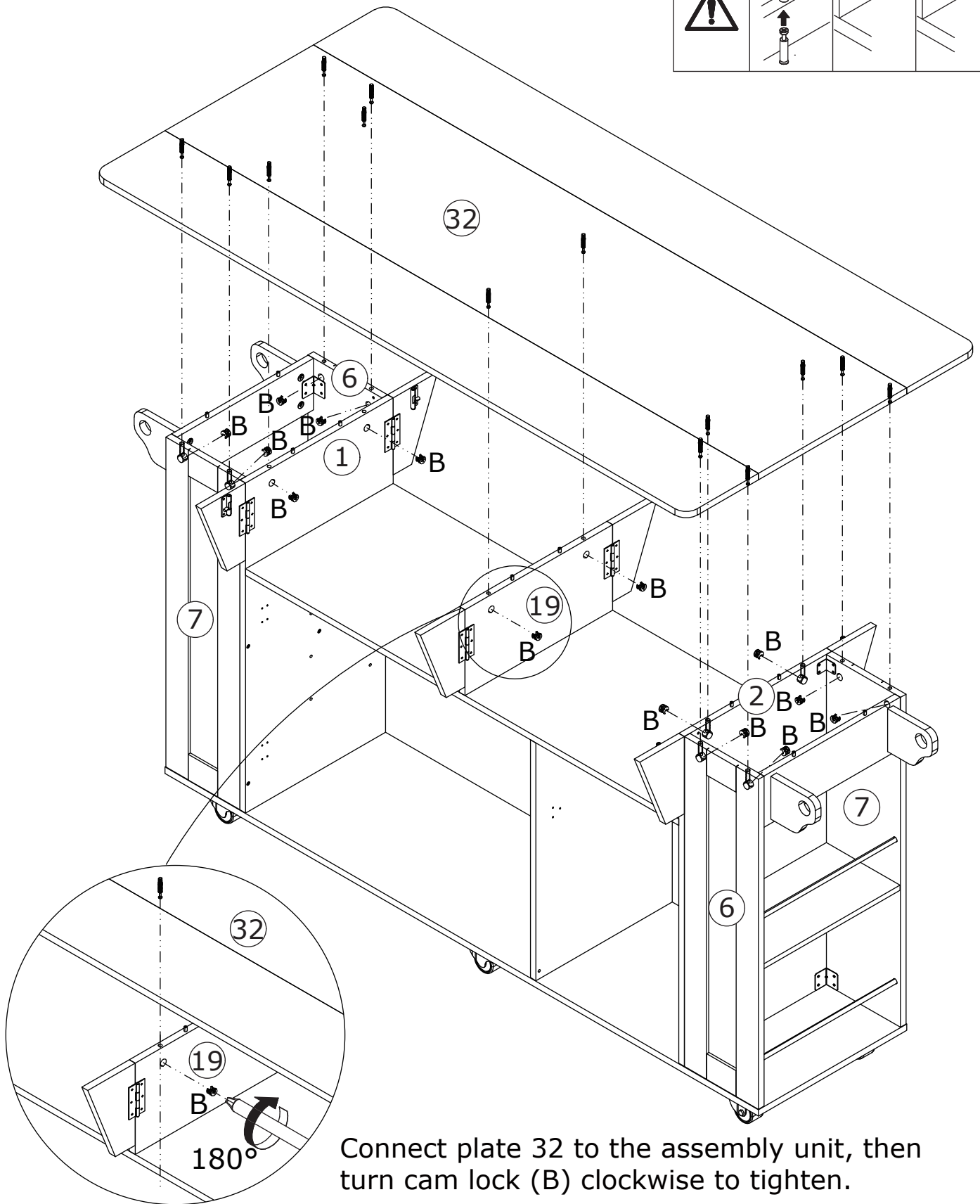
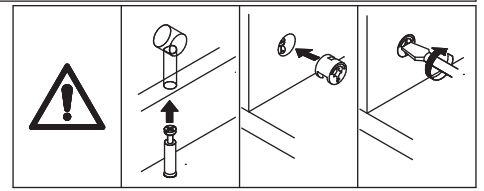
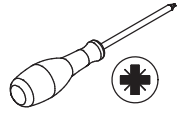
Screw eccentric rod (A) onto plate 32.

27

B x 14



Ø15 x 10 mm

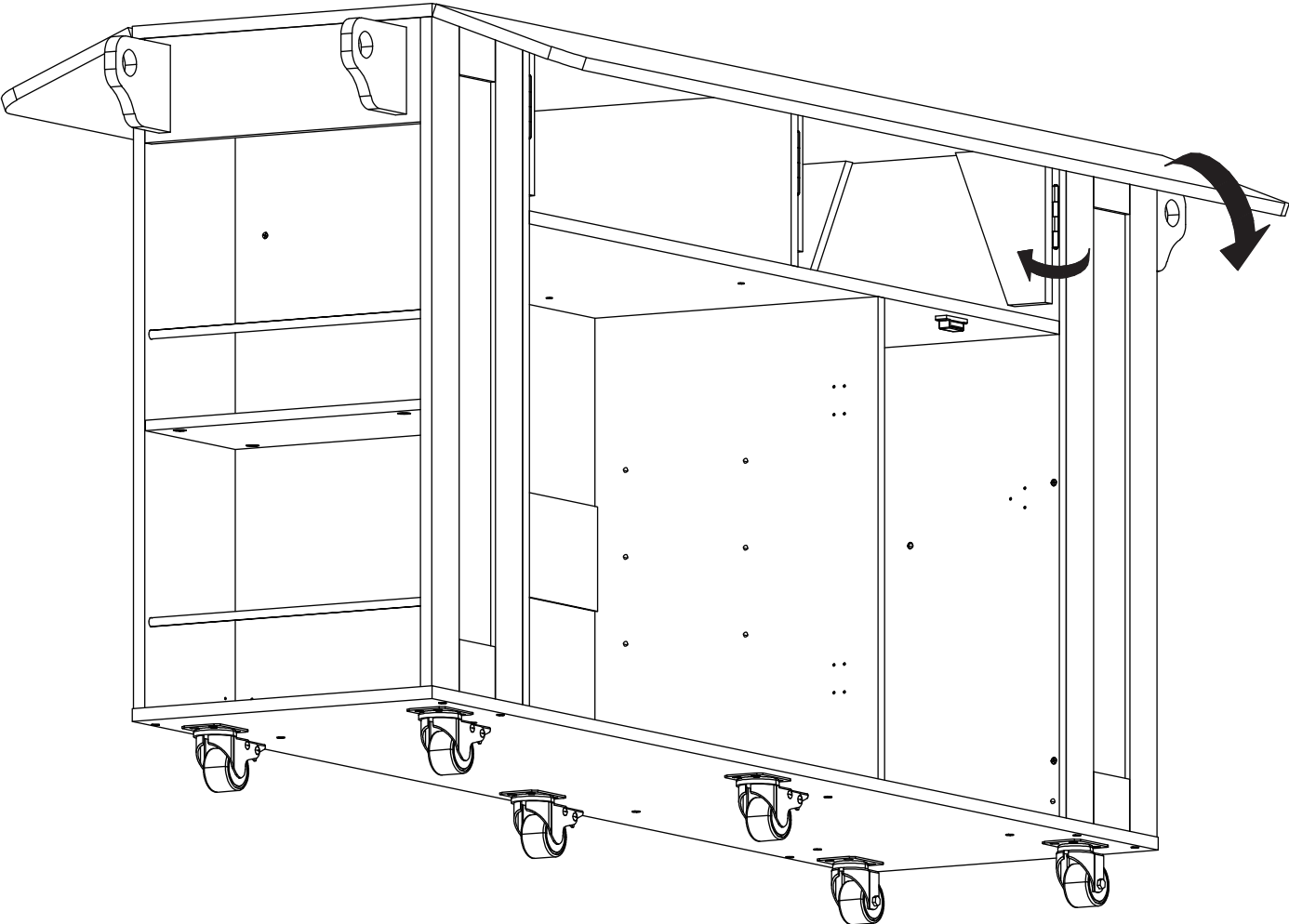


Connect plate 32 to the assembly unit, then turn cam lock (B) clockwise to tighten.

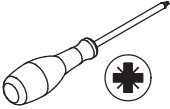
28



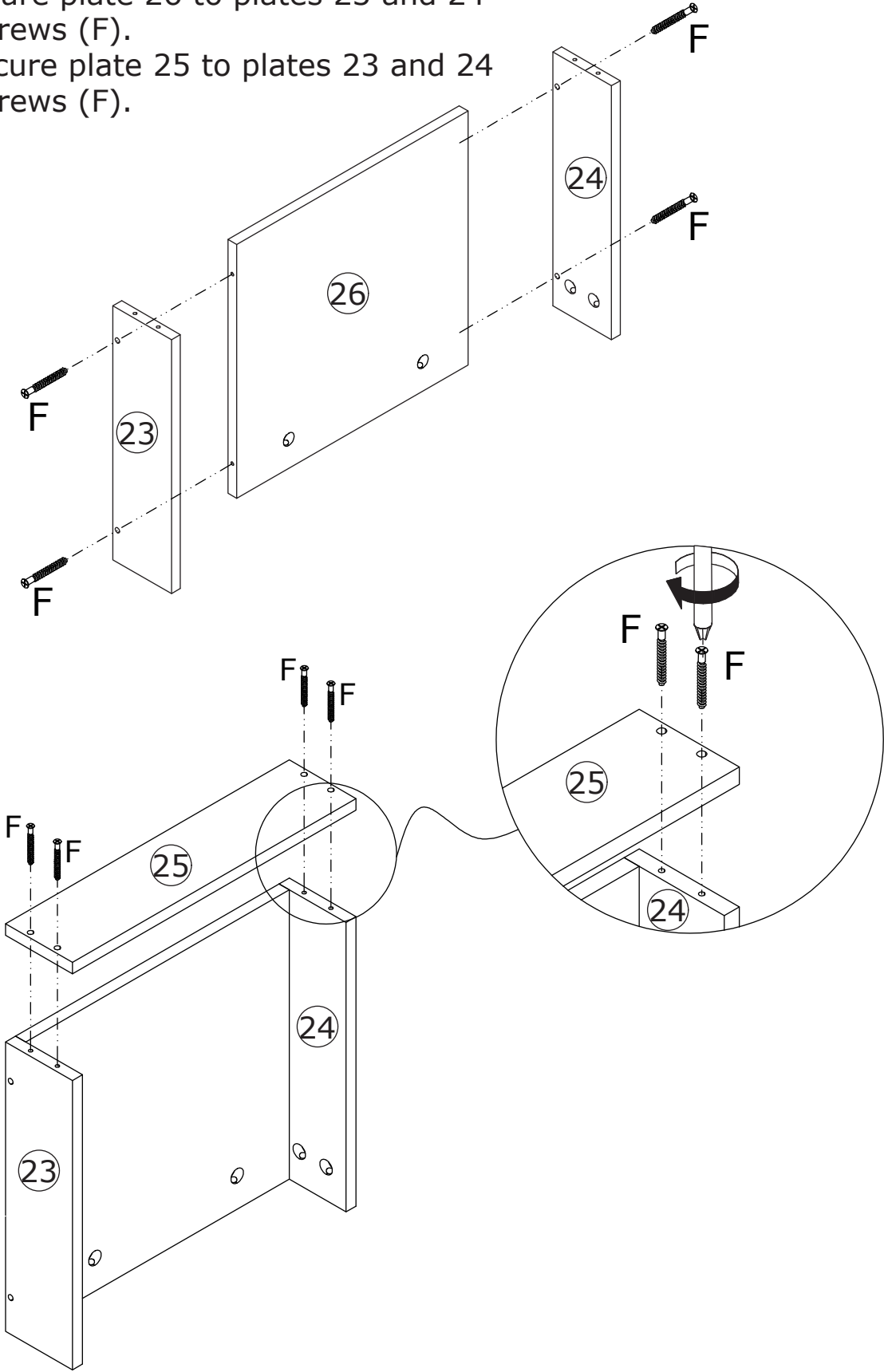
Close the desktop as shown.



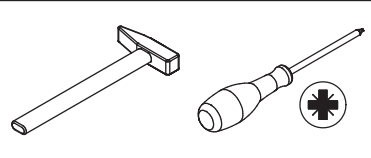
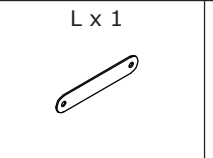
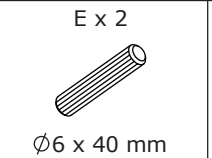
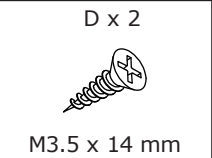
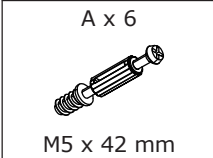
29



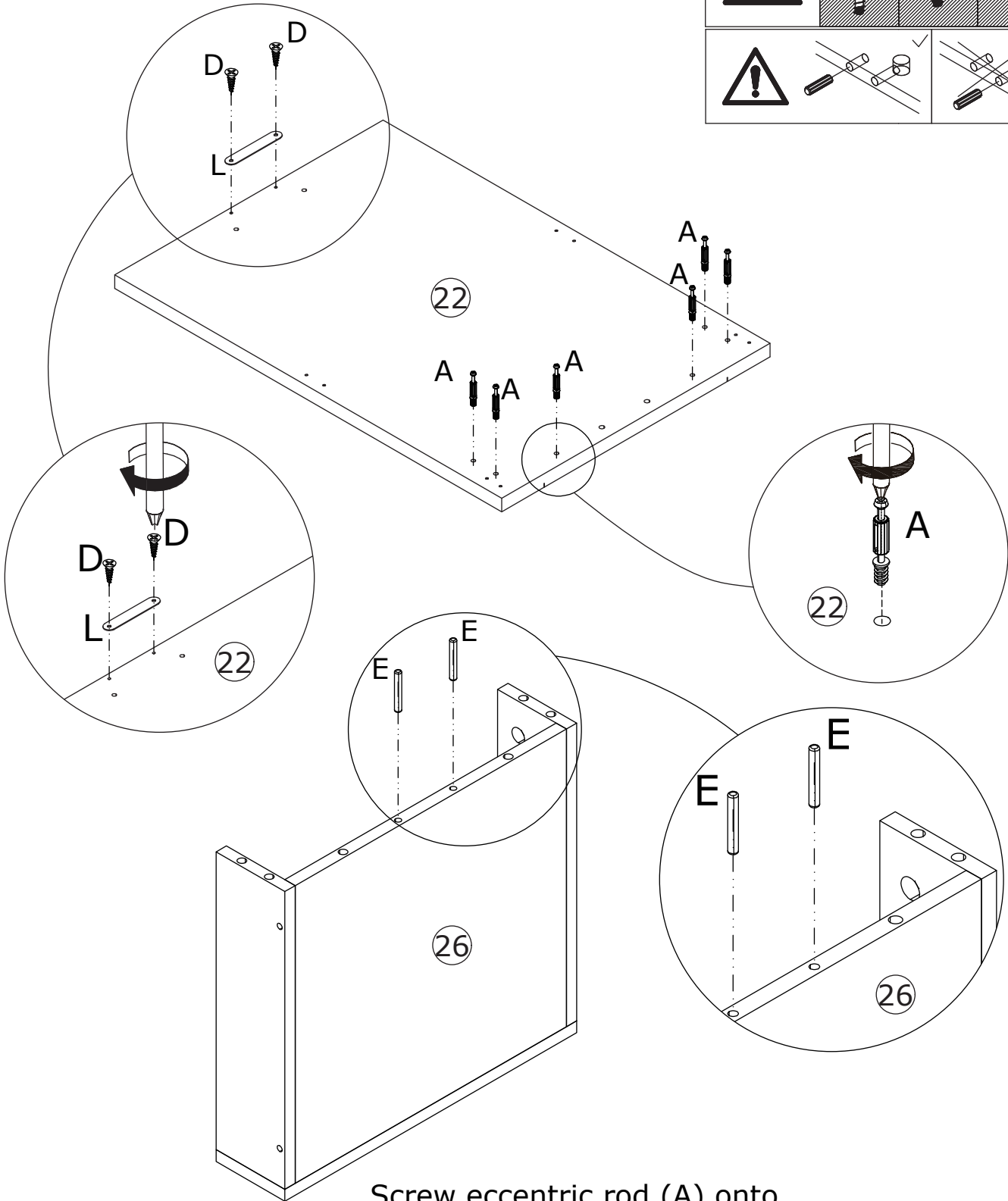
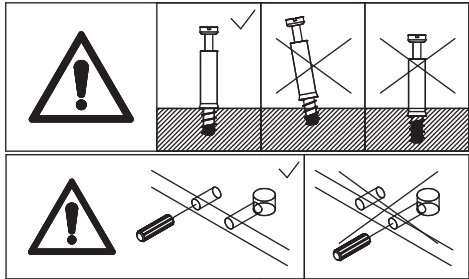
First secure plate 26 to plates 23 and 24 using screws (F).  
Then secure plate 25 to plates 23 and 24 using screws (F).



30

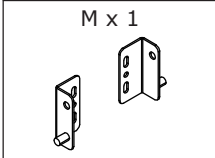


Secure the fitting (L) to plate 22 using screws (D).

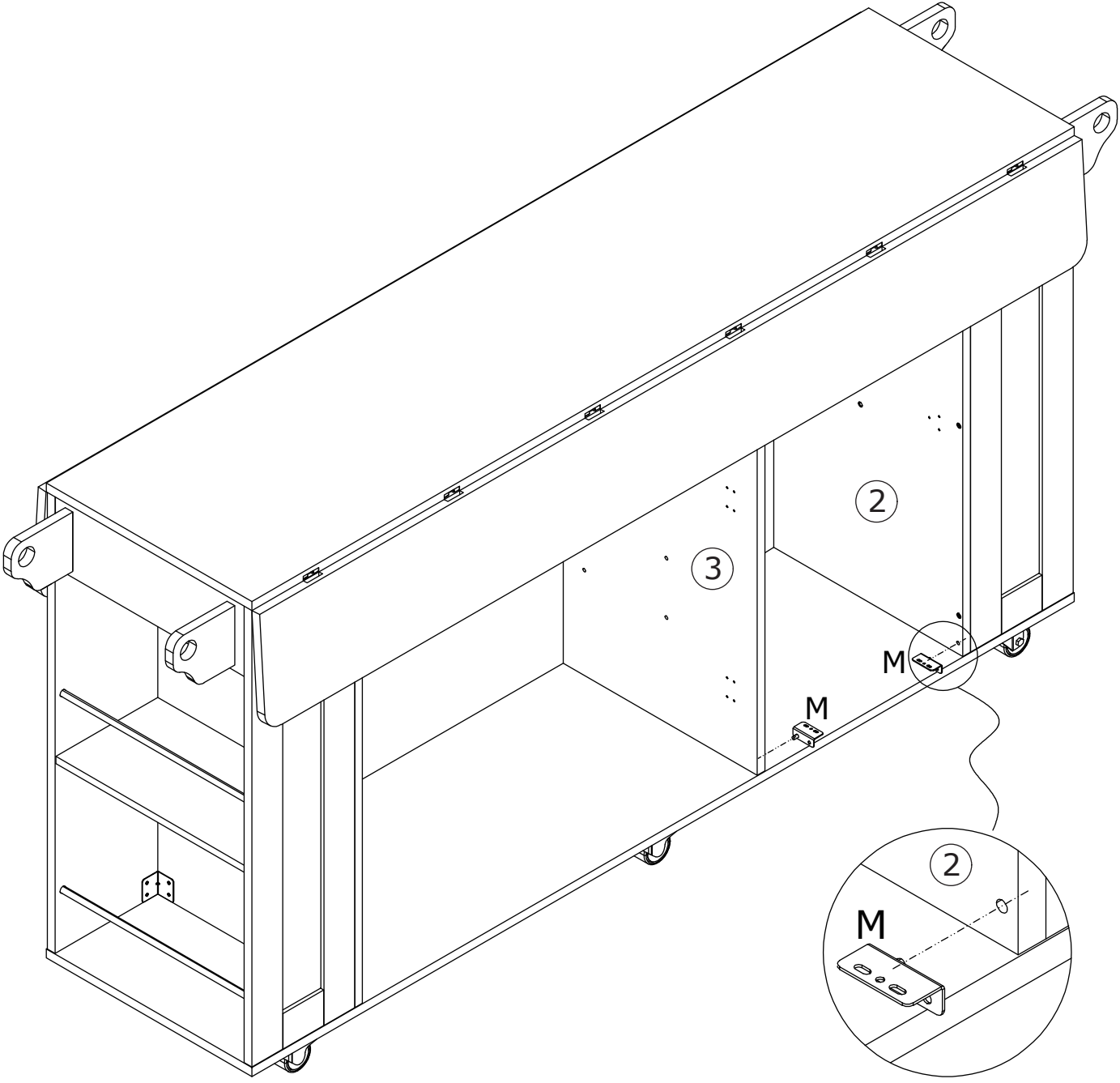


Screw eccentric rod (A) onto plate 22.  
Insert wooden dowels (E) into plate 26.

31

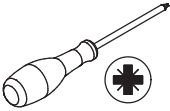


Insert pins (M) into plates 2 and 3.

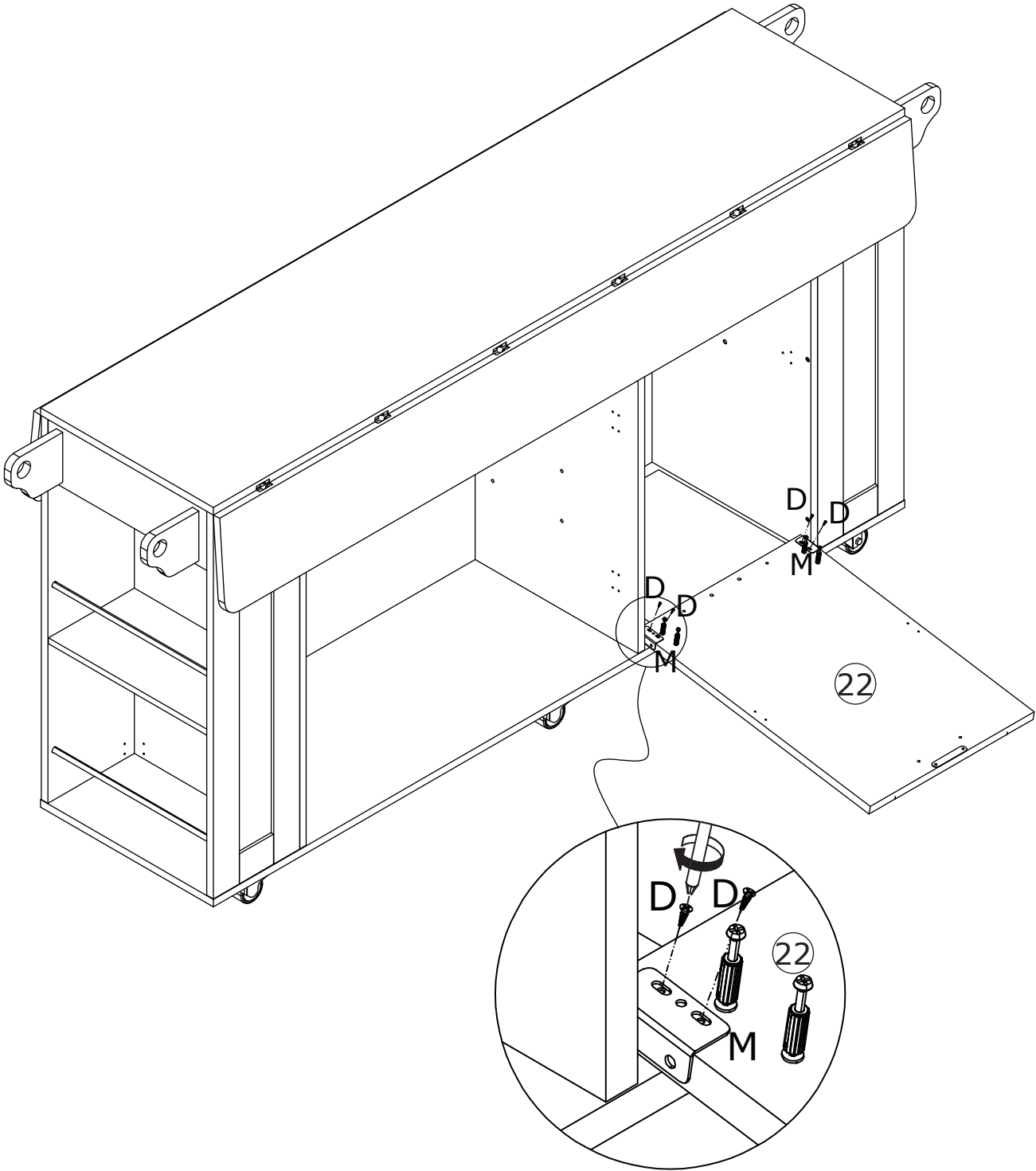


32

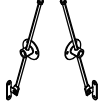
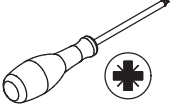
D x 4  
M3.5 x 14 mm



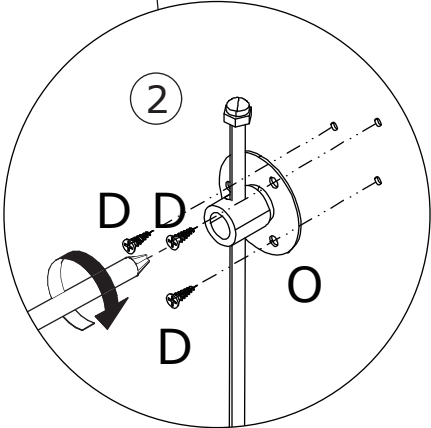
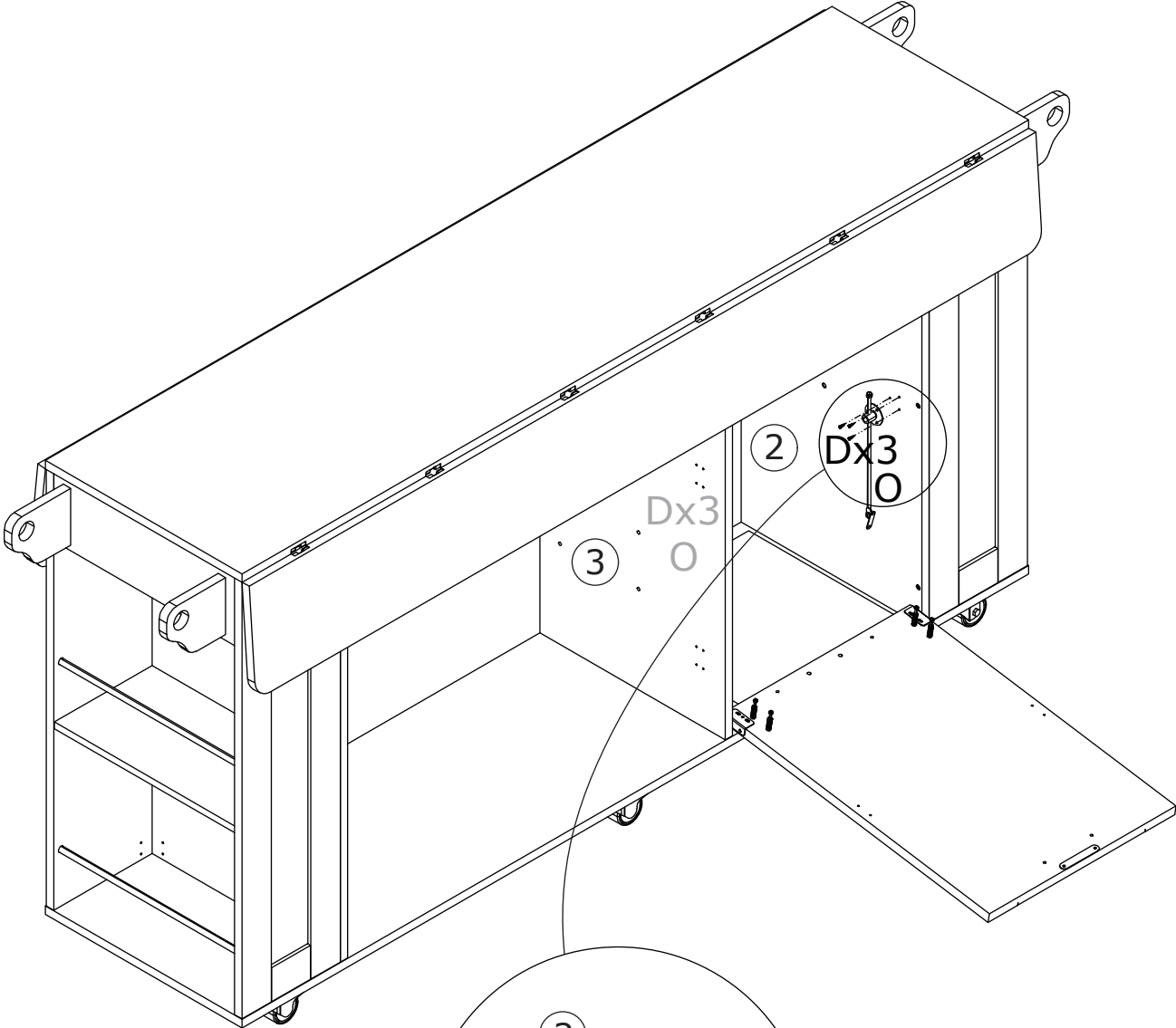
Secure the fittings (M) to plate 22 using screws (D).



33

<p>D x 6 M3.5 x 14 mm</p> 	<p>O x 1</p> 	
---	--	---

Secure hydraulic rod (O) to plates 2 and 3 using screws (D).

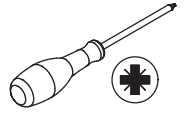


34

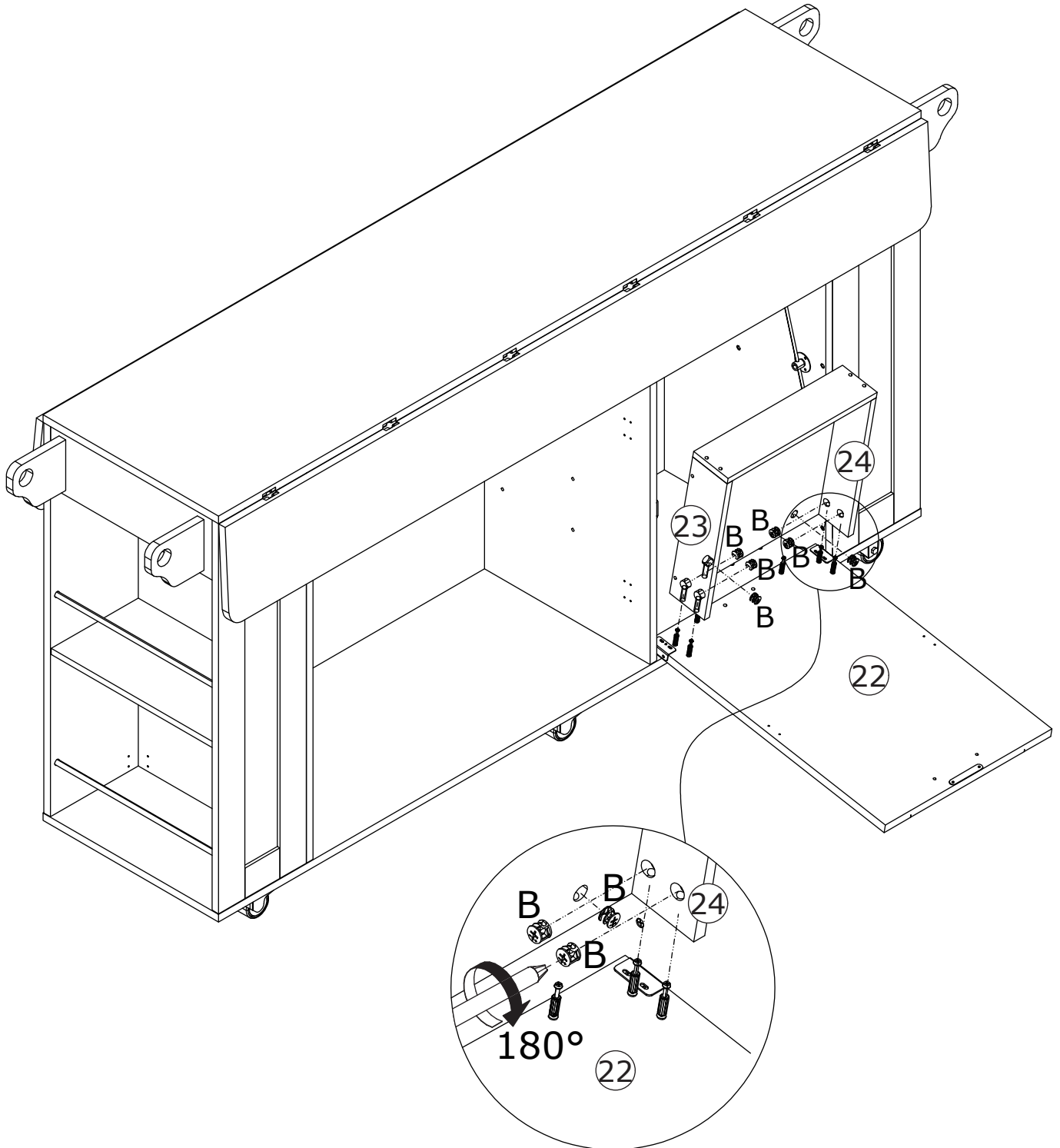
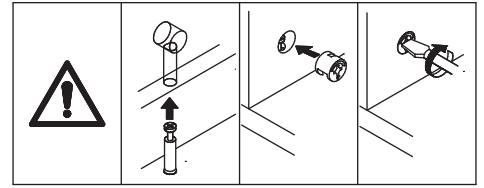
B x 6



Ø15 x 10 mm

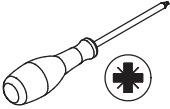


Connect plates 23 and 24 to plate 22, then turn cam lock (B) clockwise to tighten.

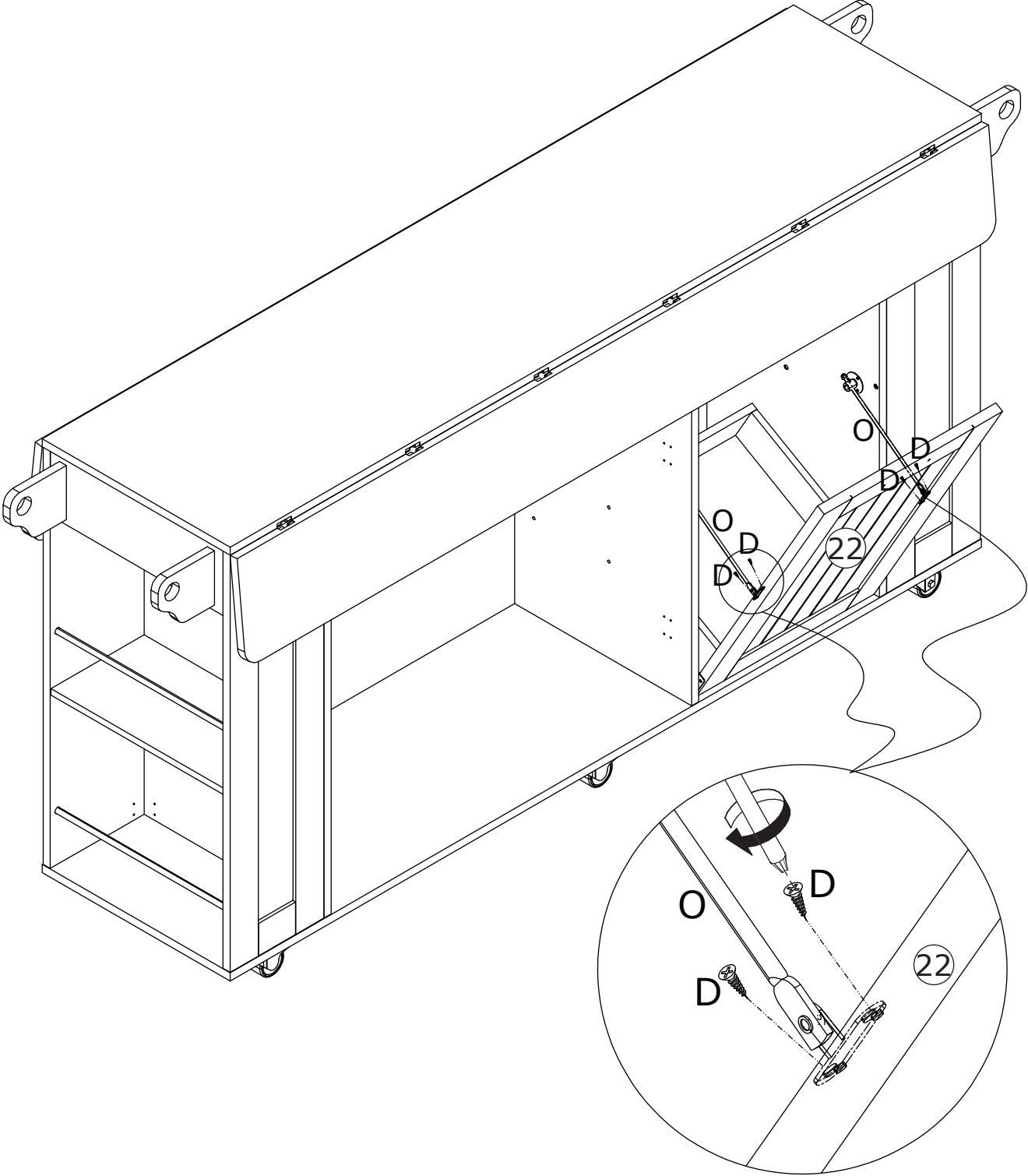


35

D x 4  
M3.5 x 14 mm



Secure hydraulic rod (O) to plate 22 using screws (D).



36

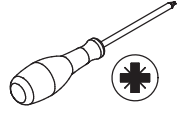
G x 1



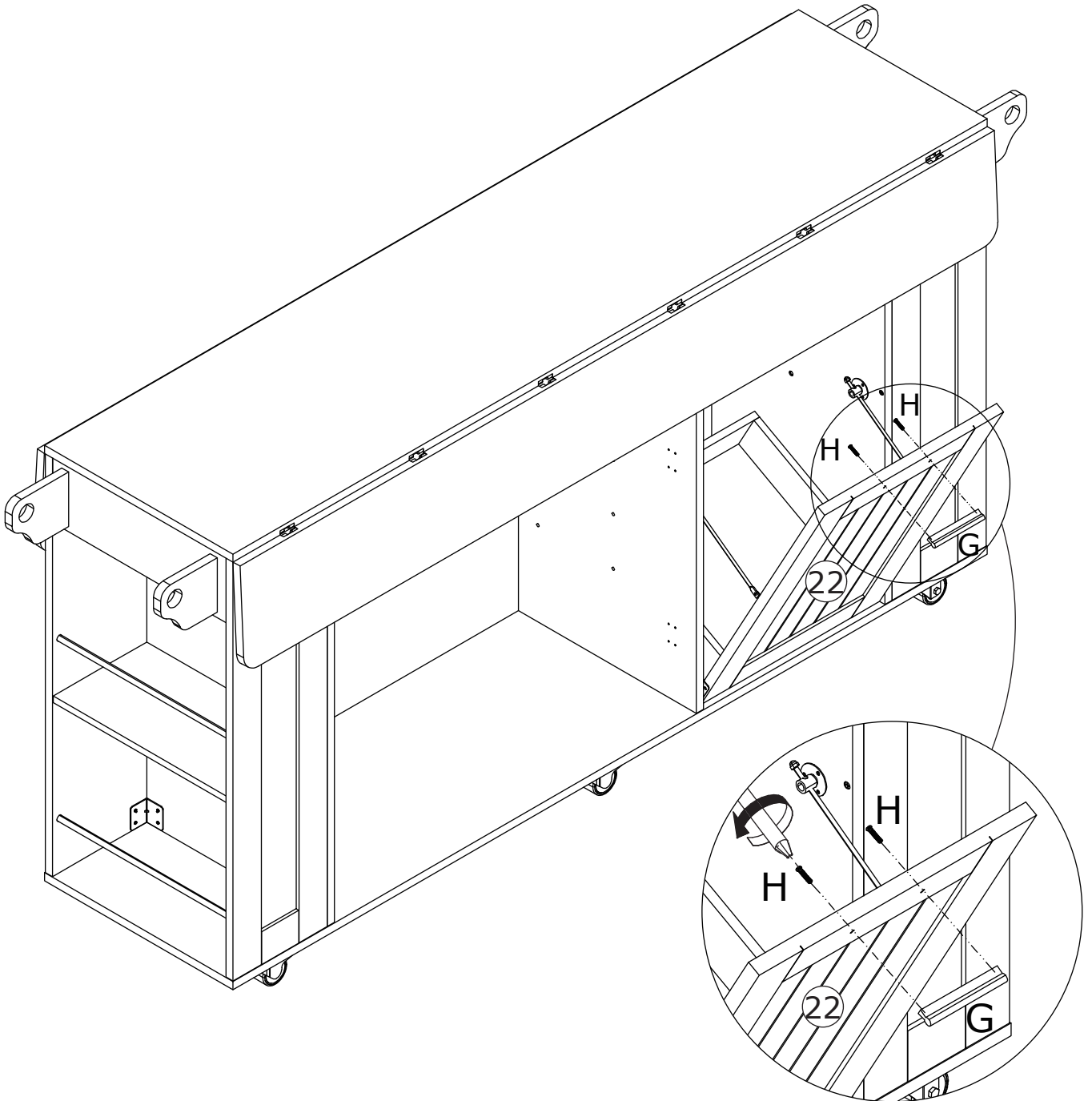
H x 2



M4 x 20 mm



Secure handle (G) to plate 22 using screws (H).

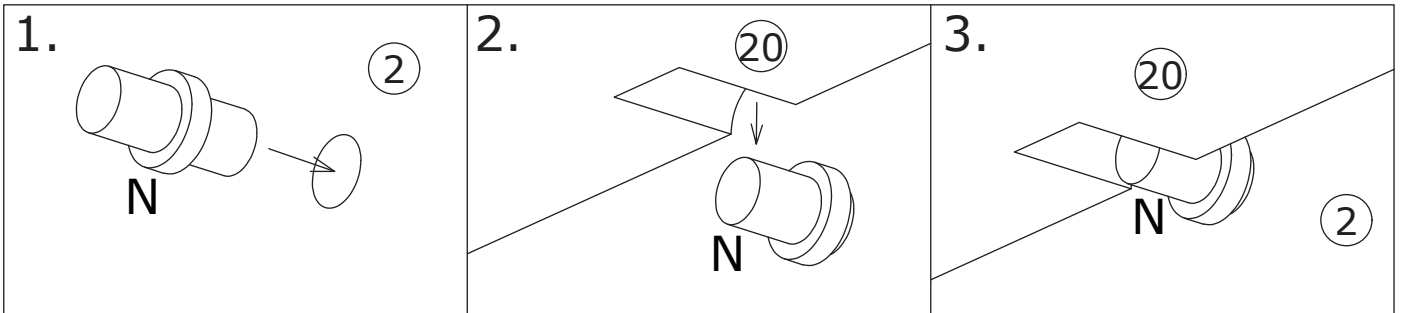
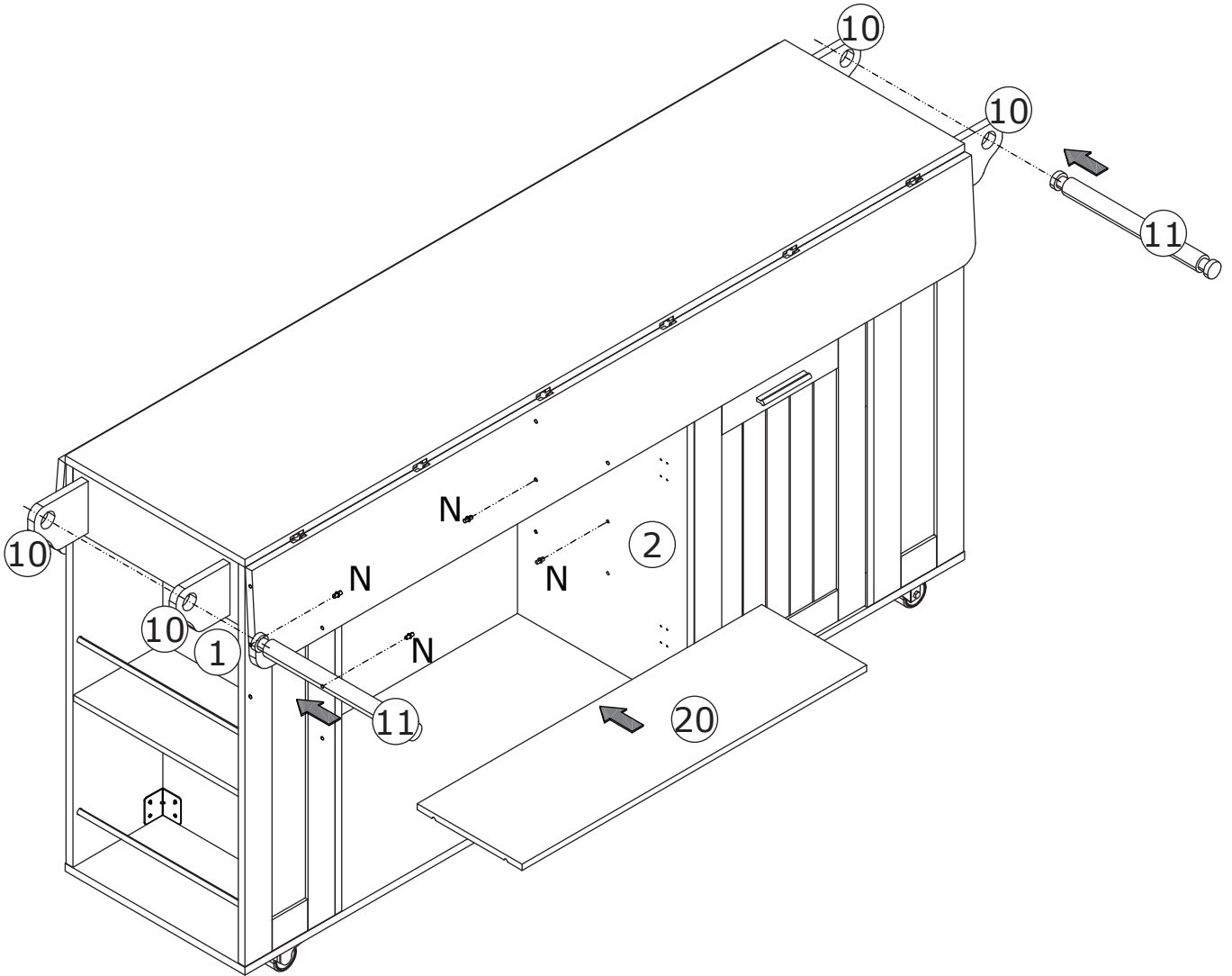


37

N x 4

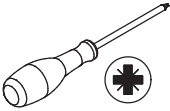


Insert rod 11 into the plate 10.  
Insert pins (N) into plates 1 and 2, and place plate 20 as shown.

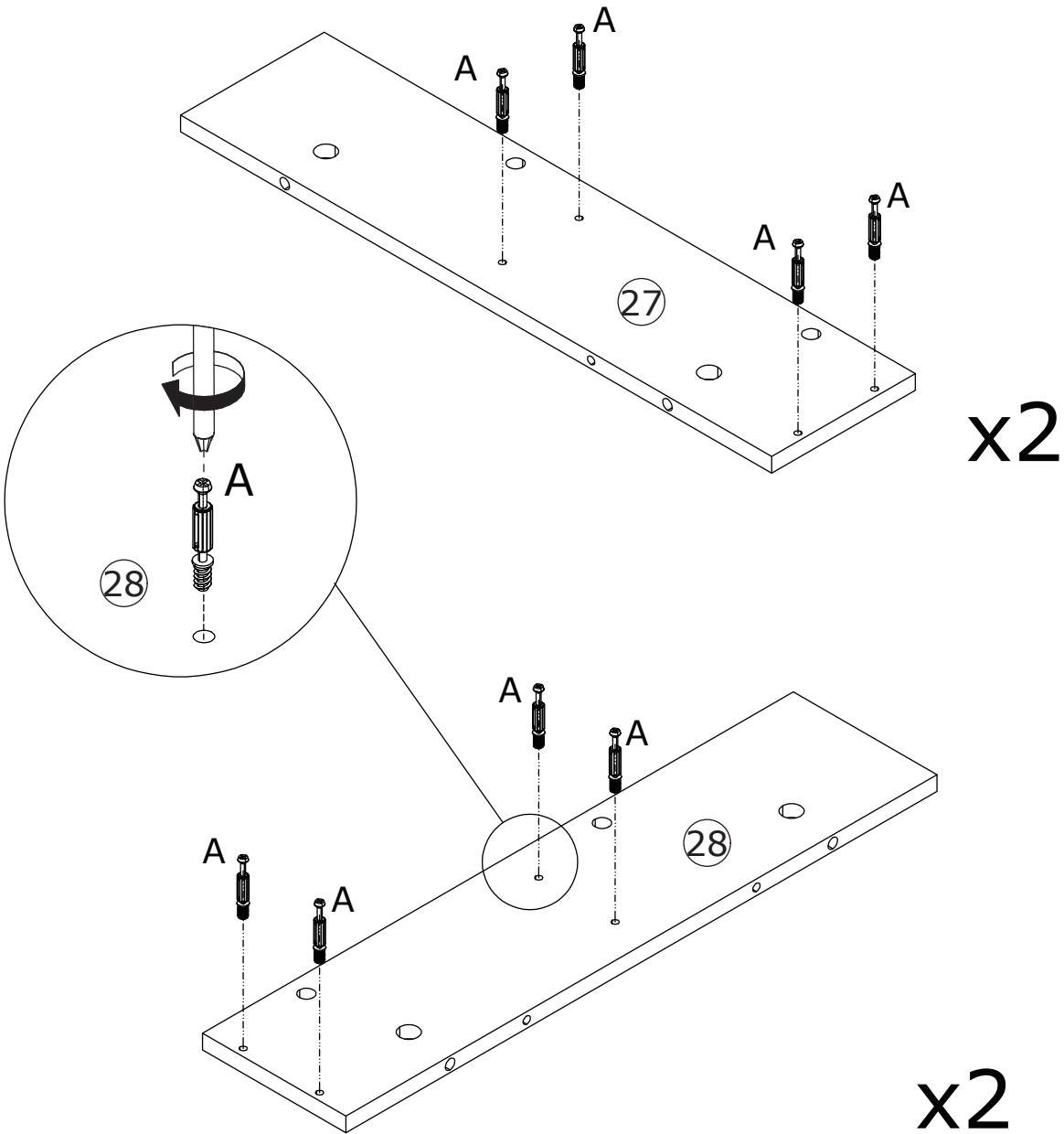
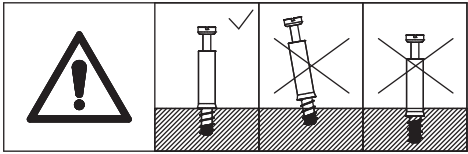


38

A x 16  
M5 x 42 mm

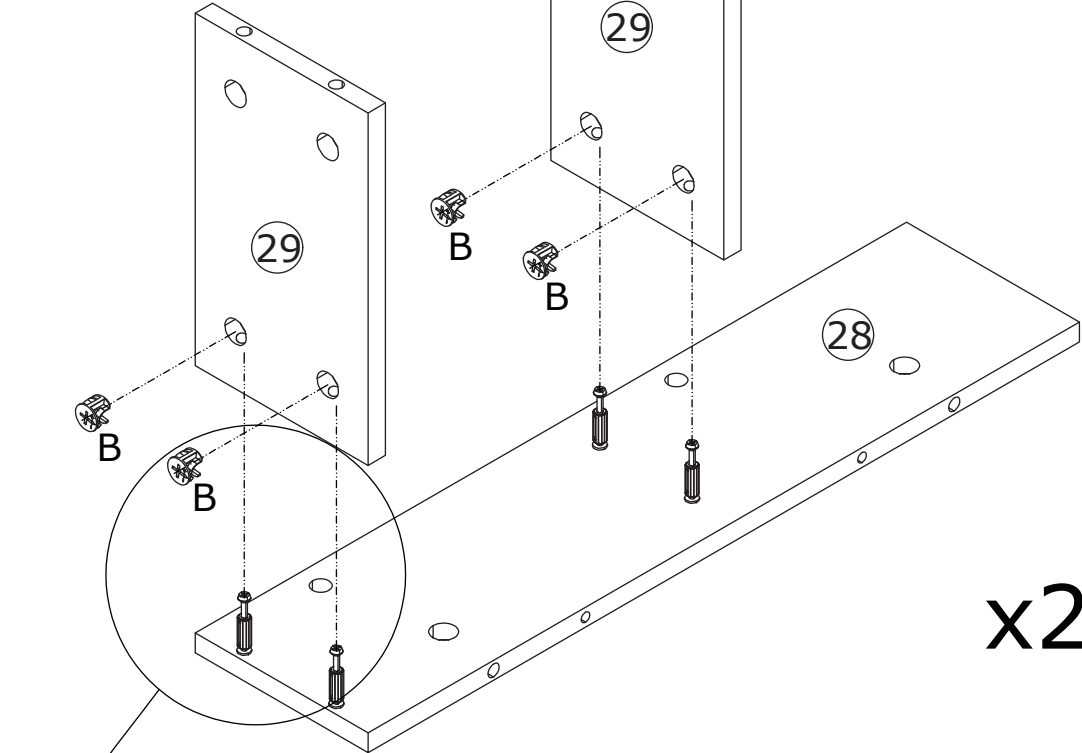
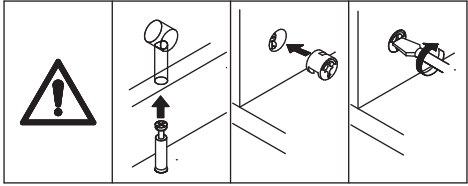
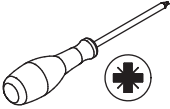


Screw eccentric rod (A) onto plates 27 and 28.

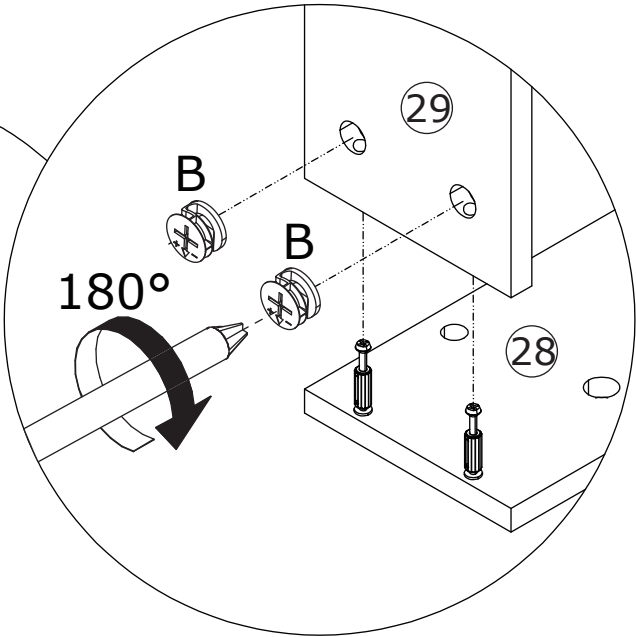


39

B x 8  
Ø15 x 10 mm



x2



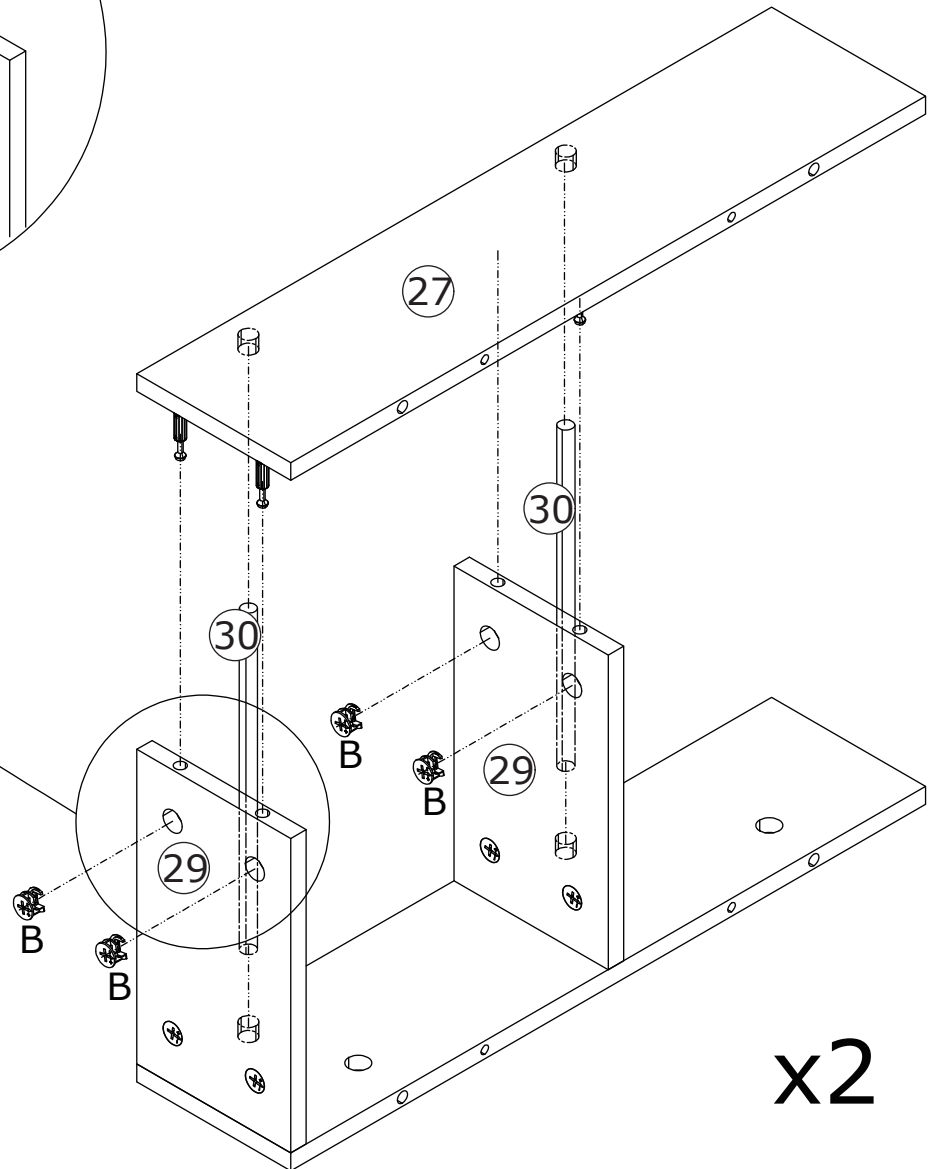
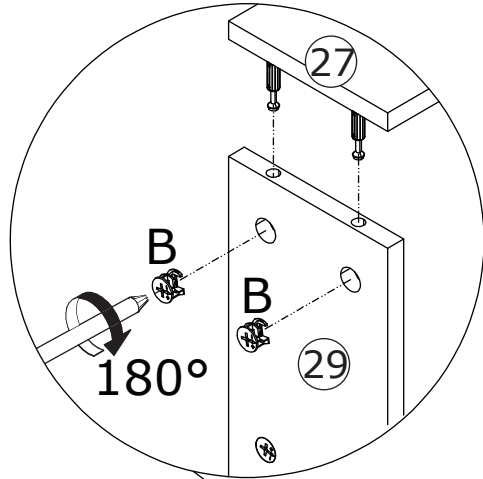
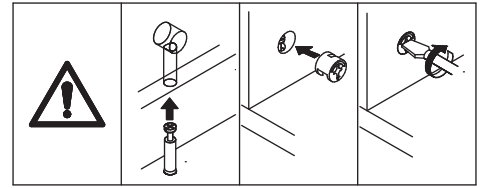
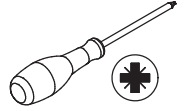
Connect plate 29 to plate 28, then turn cam lock (B) clockwise to tighten.

40

B x 8



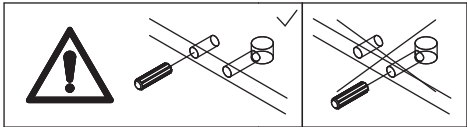
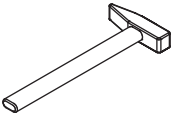
Ø15 x 10 mm



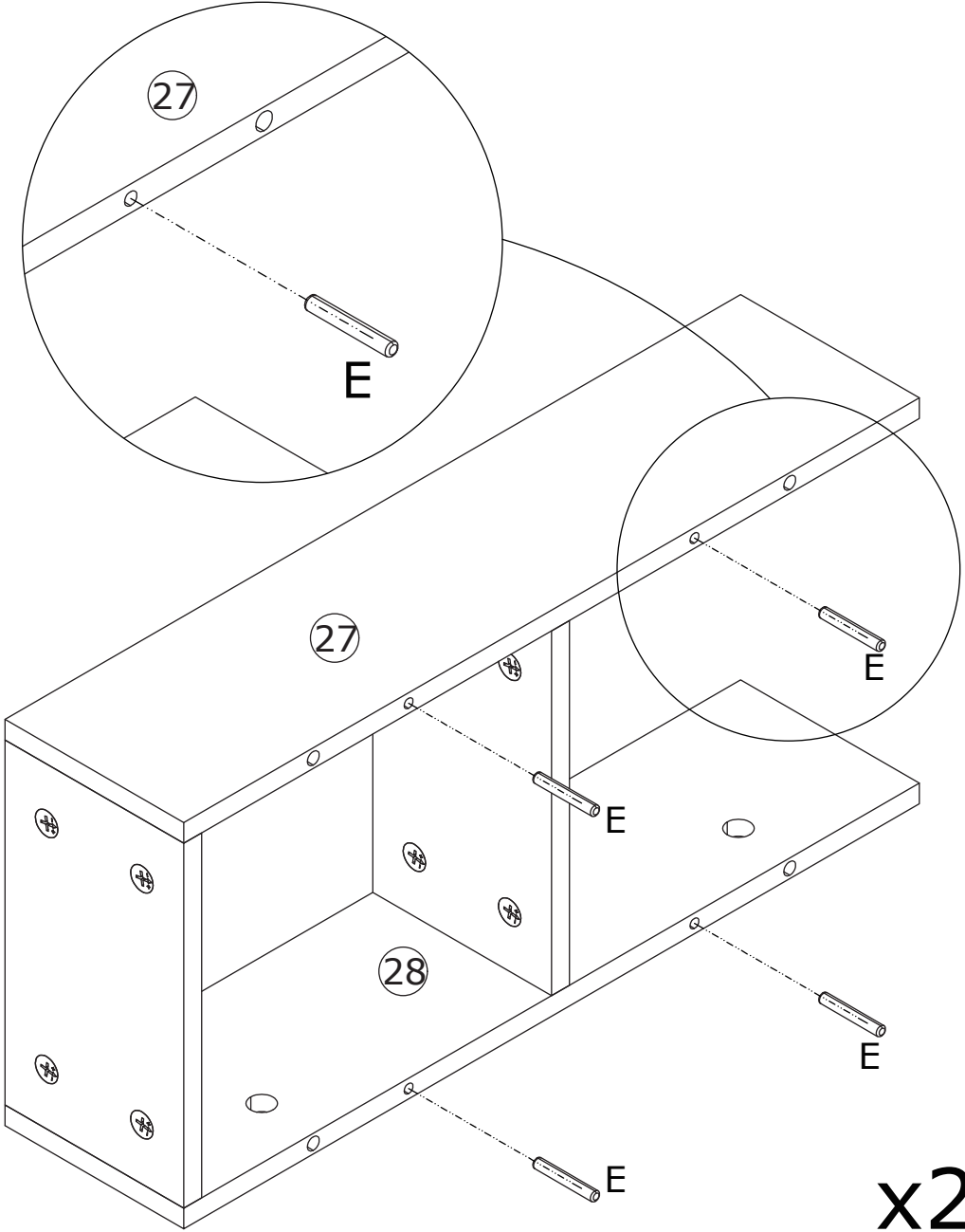
Connect plate 27 and rod 30 to plate 29, then turn cam lock (B) clockwise to tighten.

41

E x 8  
Ø6 x 40 mm

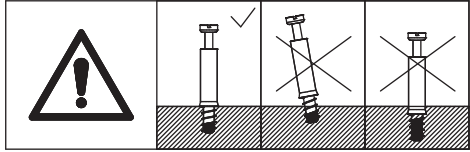
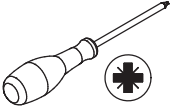


Insert wooden dowels (E) into plates 27 and 28.

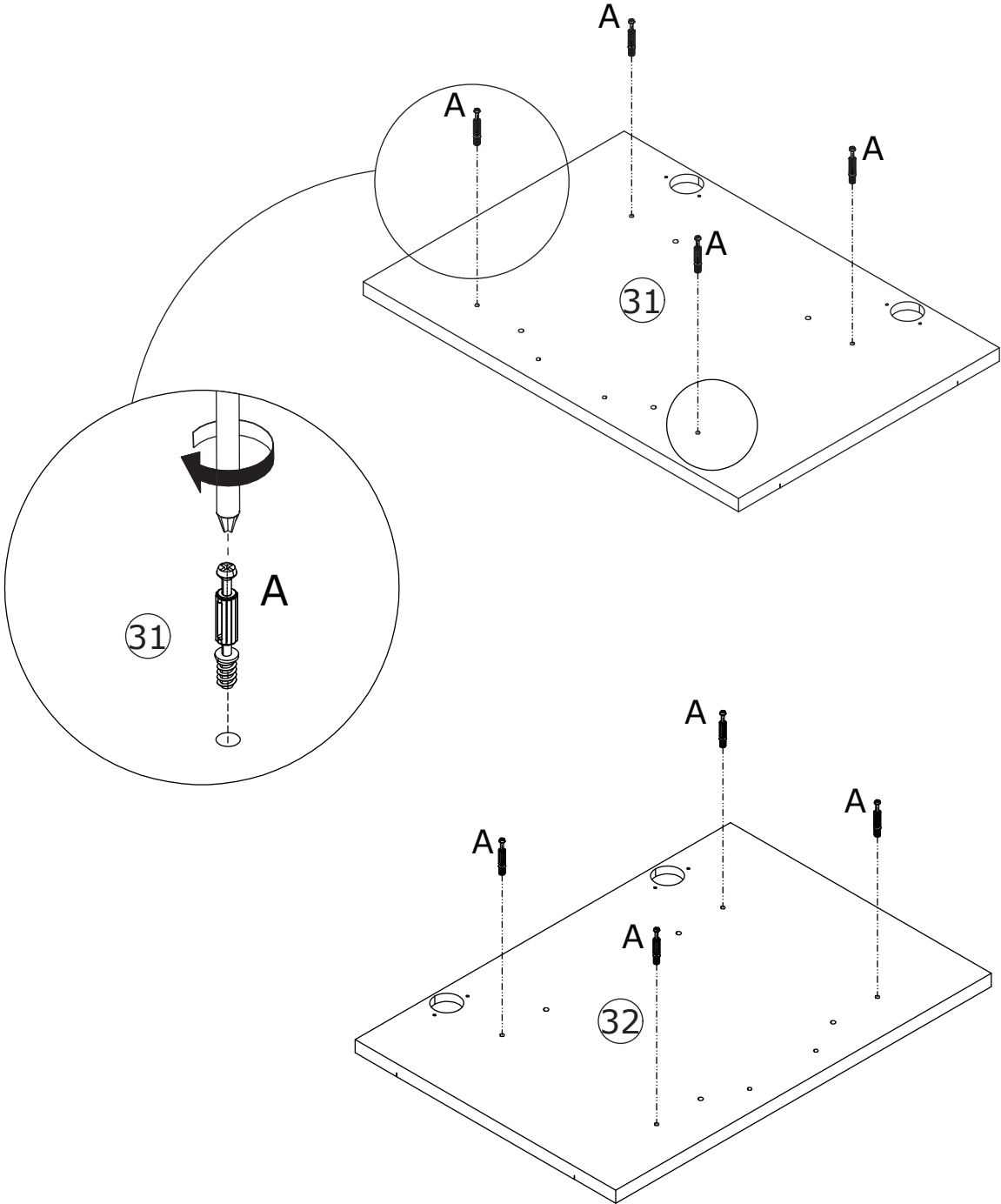


42

A x 8  
M5 x 42 mm



Screw eccentric rod (A) onto plates 31 and 32.

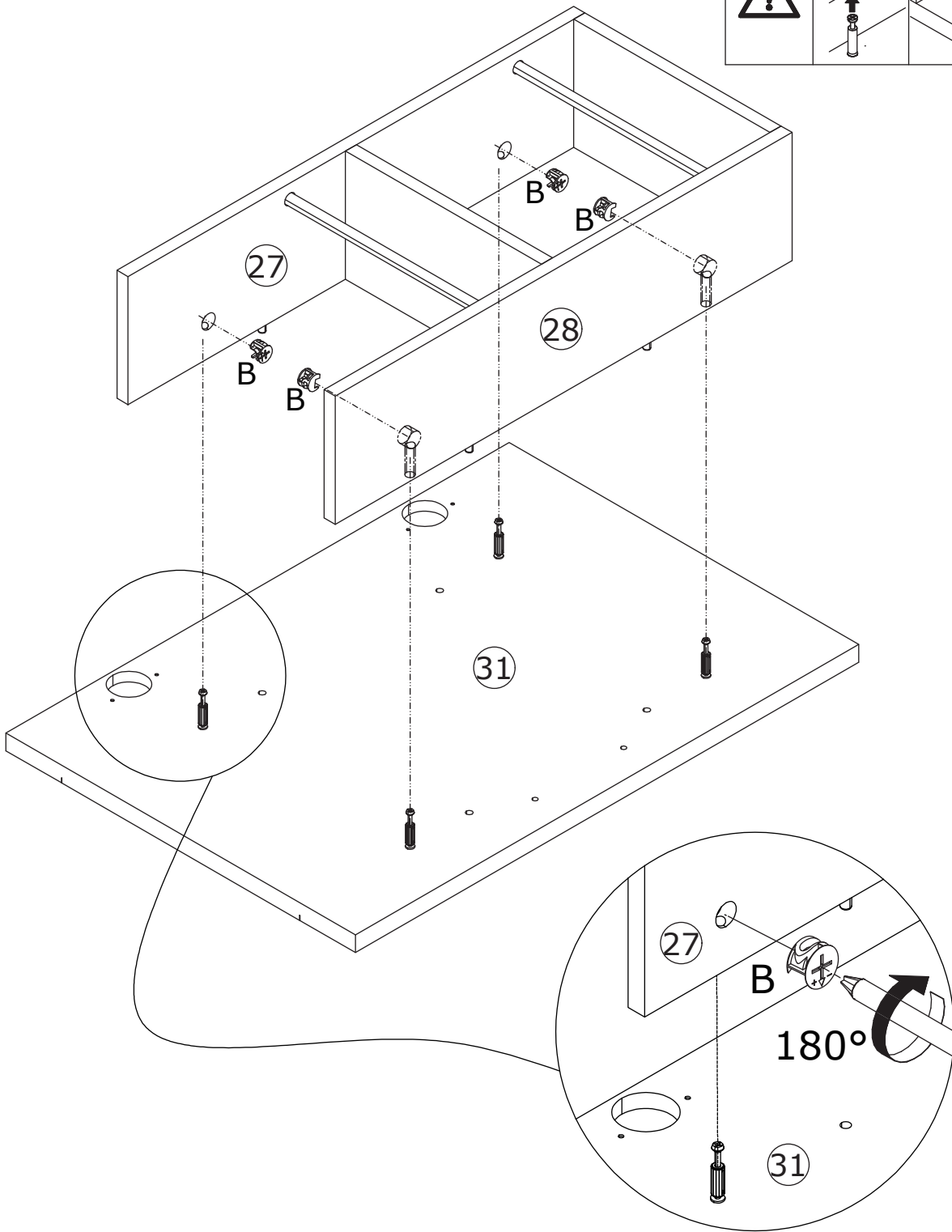
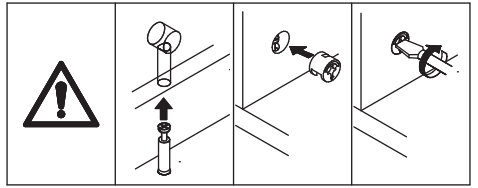
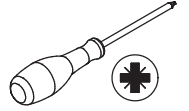


43

B x 4



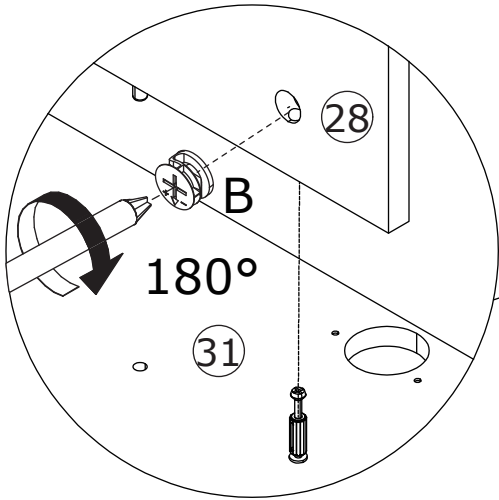
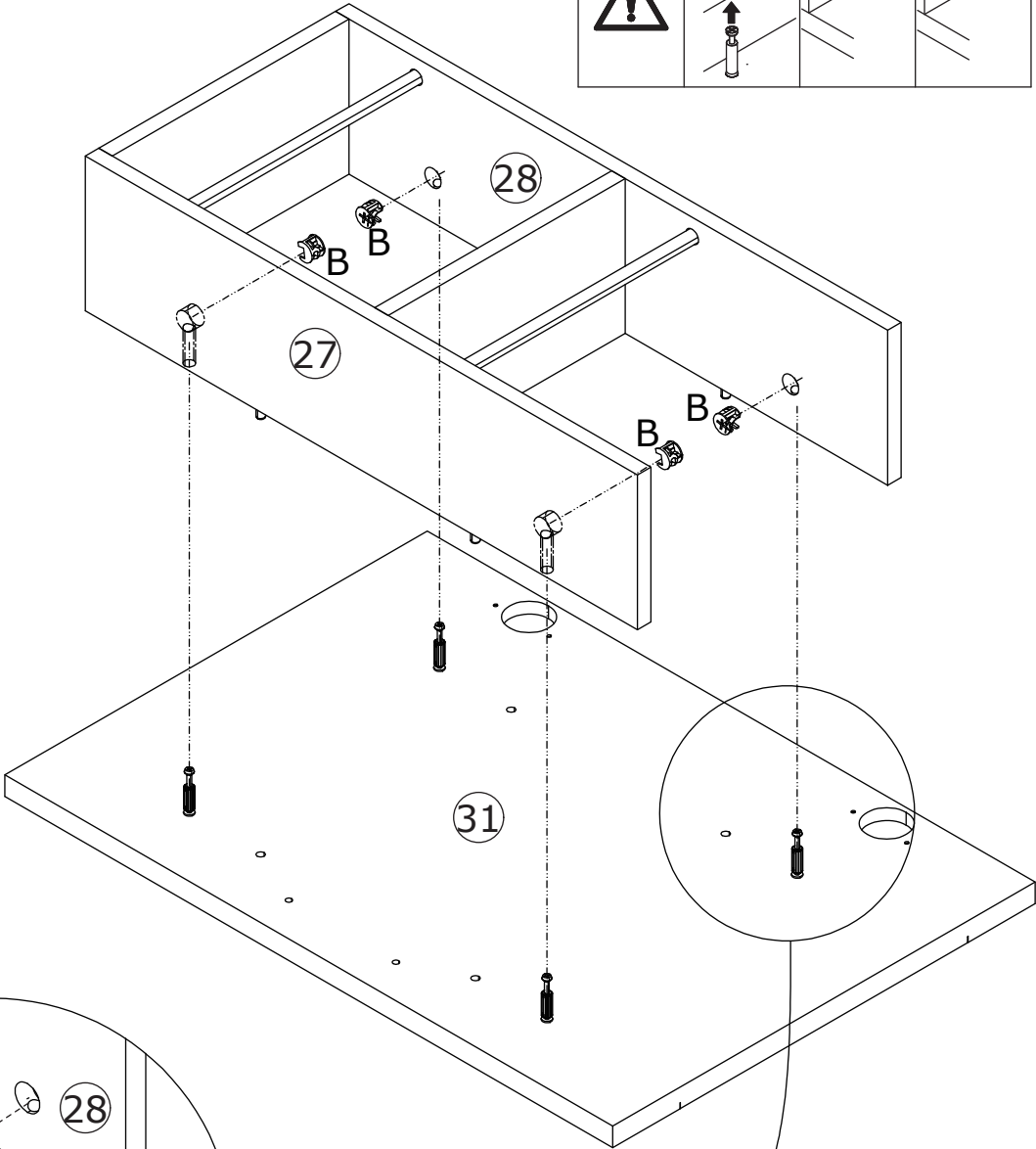
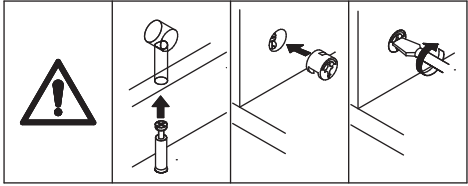
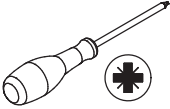
Ø15 x 10 mm



Connect plates 27 and 28 to plate 31, then turn cam lock (B) clockwise to tighten.

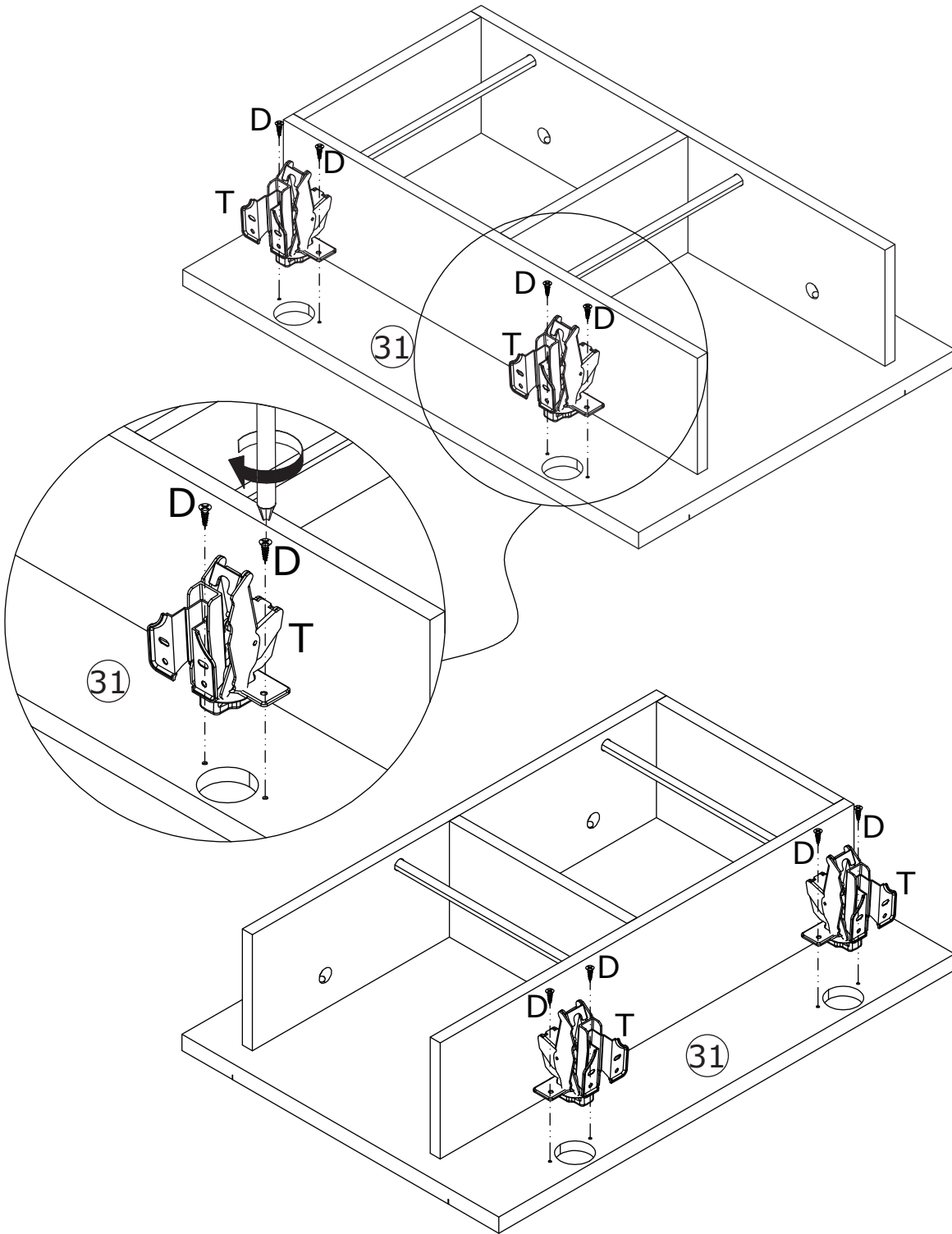
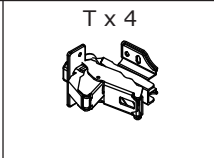
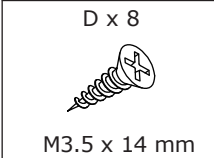
44

B x 4  
Ø15 x 10 mm



Connect plates 27 and 28 to plate 31, then turn cam lock (B) clockwise to tighten.

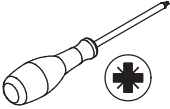
45



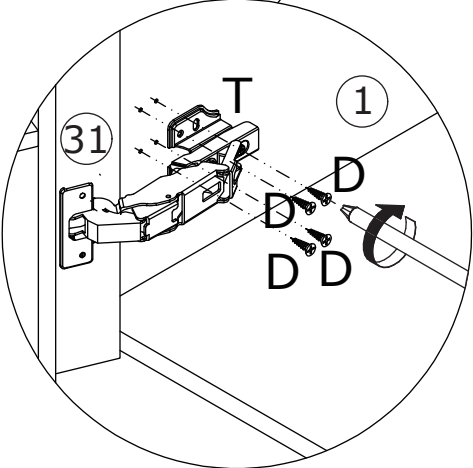
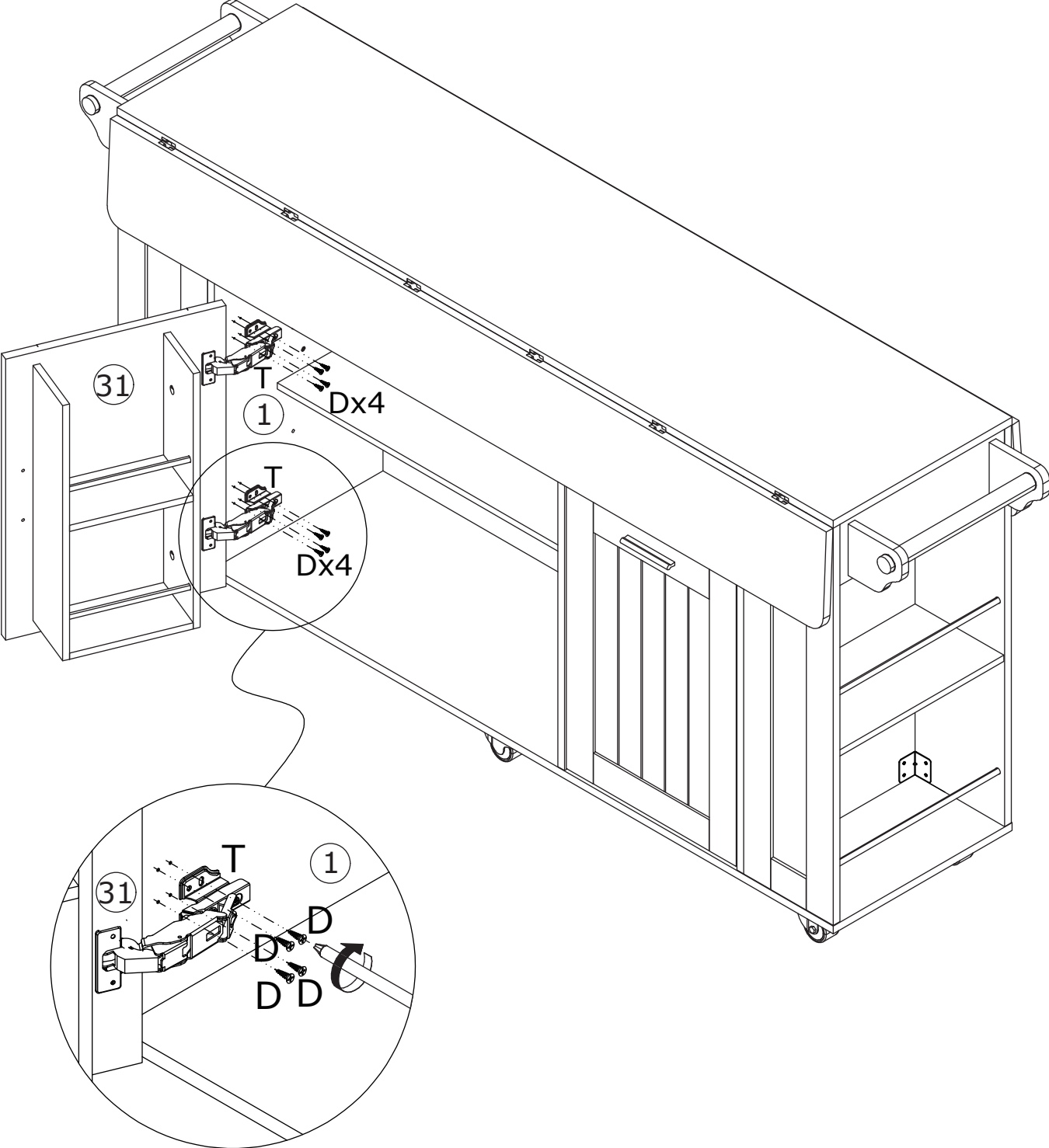
Secure hinges (T) to plate 31 using screw (D).

46

D x 8  
M3.5 x 14 mm

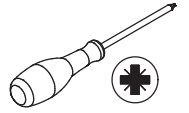


Secure hinges (T) to plate 1 using screws (D).

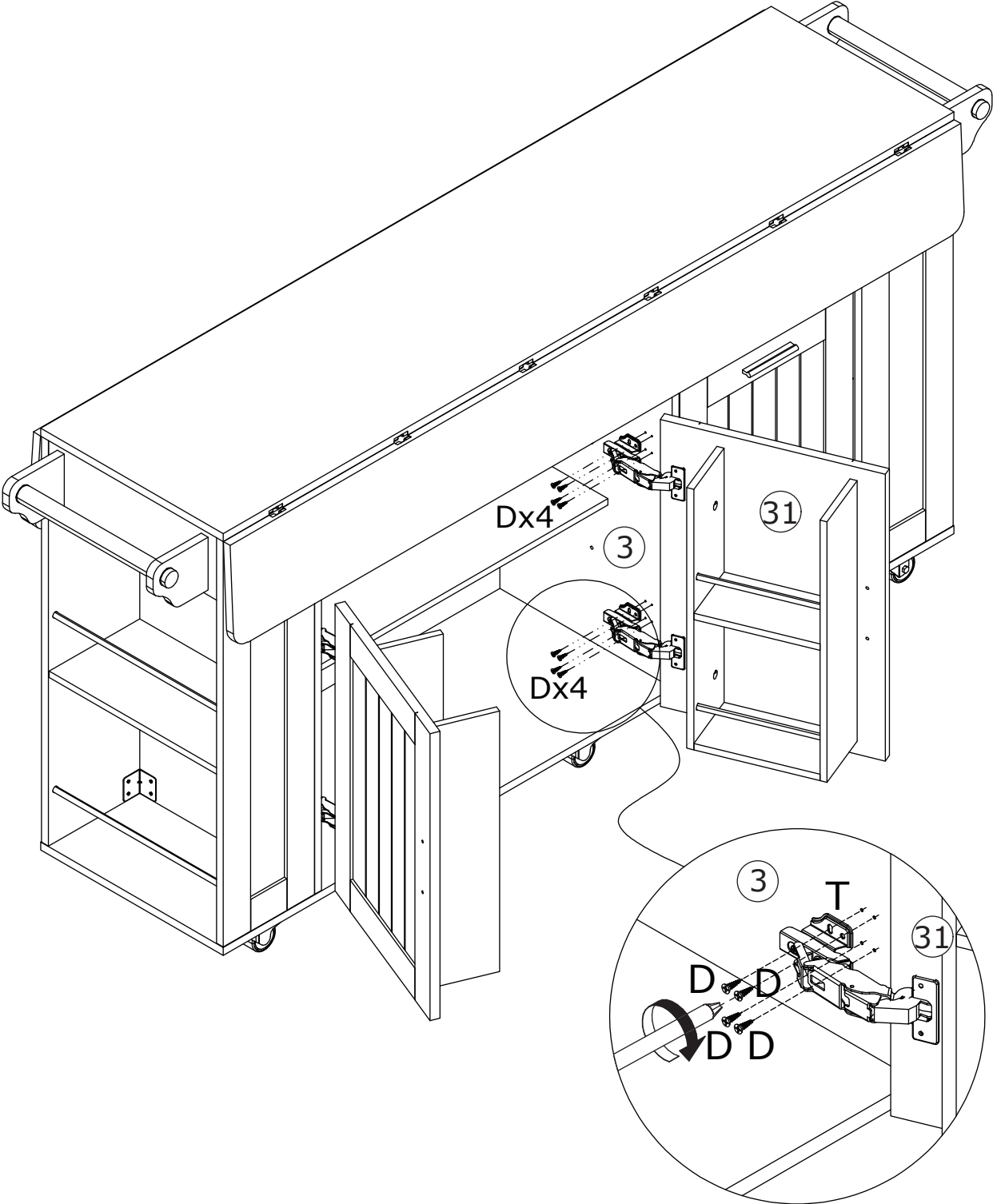


47

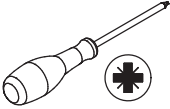
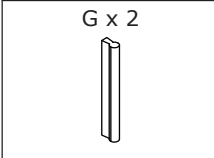
D x 8  
M3.5 x 14 mm



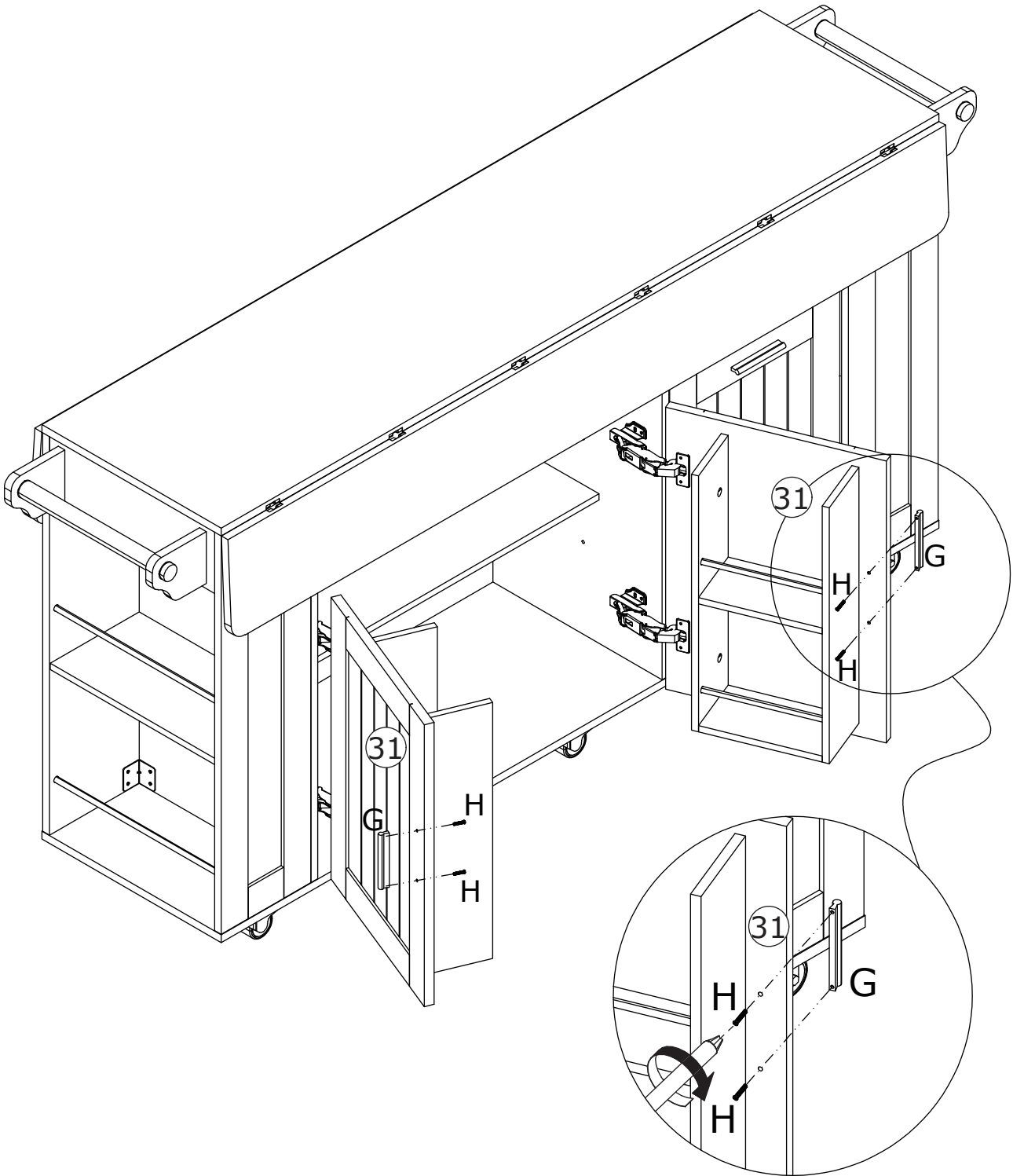
Secure hinges (T) to plate 3 using screws (D).



48



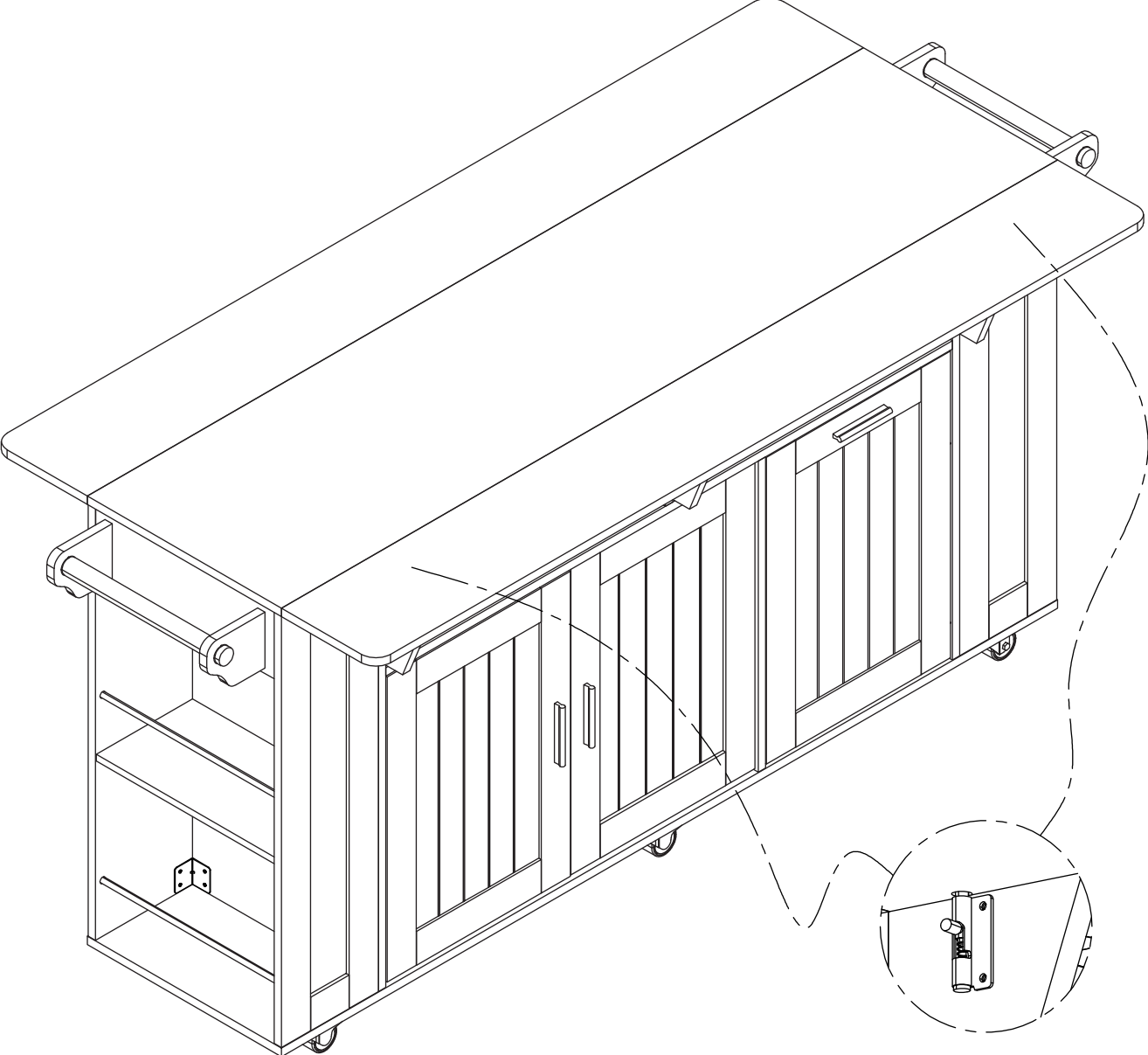
Secure handle (G) to plate 31 using screws (H).

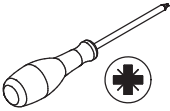


49



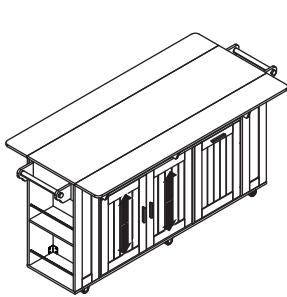
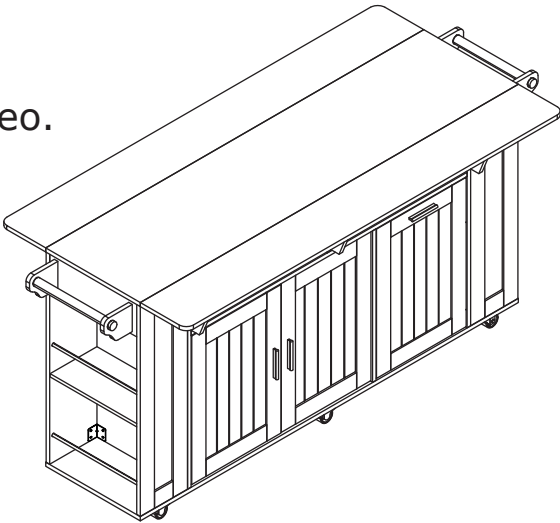
Open the accessories to secure the desktop.



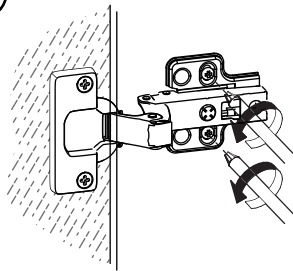


If doors are still not aligned if the hinges are properly installed, please watch the video.

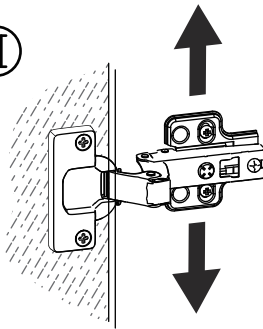
<https://youtu.be/n0Lb36SoODM>



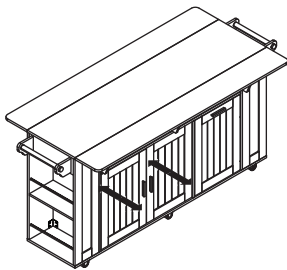
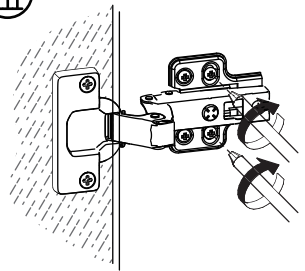
I



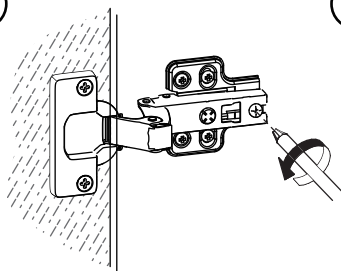
II



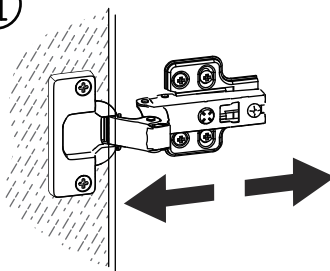
III



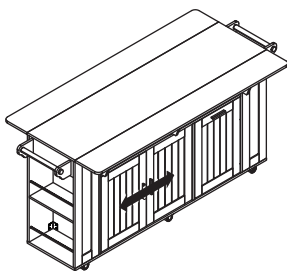
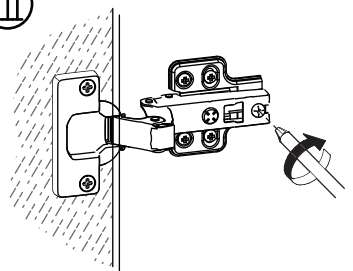
I



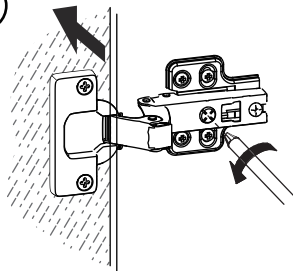
II



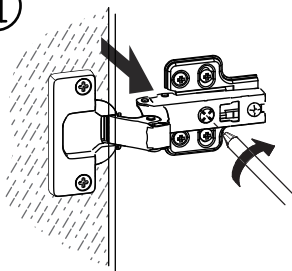
III



I



II



# WARRANTY

## WARRANTY CLAIMS

- There is a 30-day warranty for broken furniture or any other problems that do not work properly. The warranty will start from the date of purchase which must be verified by proof of purchase.
- Before making a claim, we may be able to answer your query, simply call us. Please leave your purchase order number, along with some details of the problem, if you want a replacement part. We will arrange within 48 hours. If there is out of stock, we will reply with a shipping date.
- The product must be used in accordance with the instructions provided. For health reasons.
- For other reasons, if the furniture needs to be returned, it must be cleaned and dried and operated within 30 days of receipt.

## Type of Warranty Claim

- Failure to follow the furniture instructions will invalidate the warranty. Attention please.
- Does not include damage during installation, but includes damage during transportation.

## Scope of responsibility

- Shall not bear any responsibility for misuse or user damage and / or loss of parts during the installation of furniture.
- After using, the damage and scratches of the furniture are not covered by the warranty.

## The Warranty Relates to All Bought in The Us and Covers The Following Areas

- Sheet parts: 1 month from the date of purchase.
- Electrical parts: 1 month from the date of purchase.

# RETURNS

## CHANGED YOUR MIND AND NEED TO RETURN YOU ITEM?

### PLEASE FOLLOW THE BELOW INSTRUCTIONS:

- If you have purchased and have simply changed your mind, follow the retailer's instructions for returns.

### DEFECTIVE ITEMS

- If your item is defective in any way, i.e. it doesn't work but you can't identify why, in the first instance, please call us.

### DAMAGED ITEMS

- If you receive an order with obvious shipping damage from the retailer, then we suggest the delivery is refused. If the delivery has been accepted and then shipping damage is found, please follow the specific instructions advised by the retailer.  
In all circumstances please save all packaging material and paperwork for the order. Please be aware that if you dispose of packaging material or attempt to return the merchandise without contacting the fulfiller, you jeopardise your chances of making a claim, and you may not receive a credit for the return.

### AFTER-SALES CONTACT



adelahu@fufugaga.com



208-820-0068