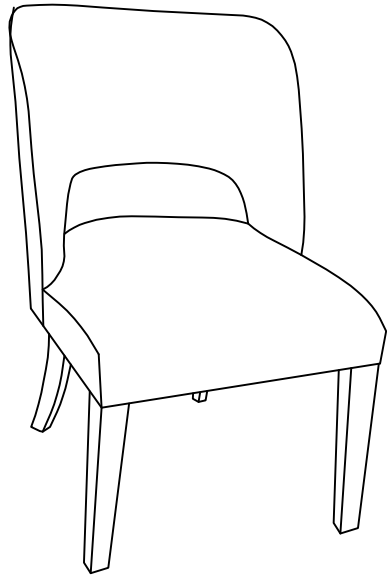
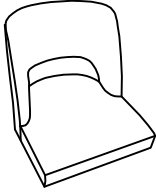


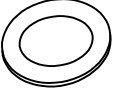


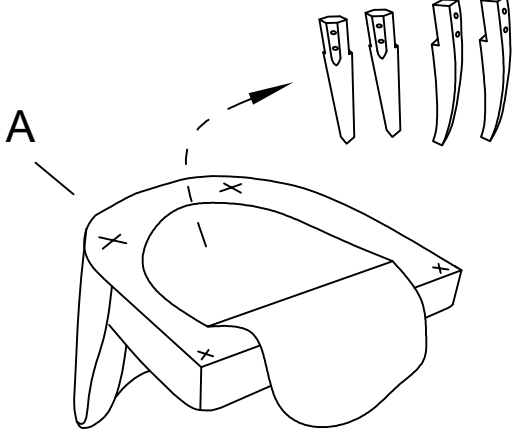


ASSEMBLY INSTRUCTION

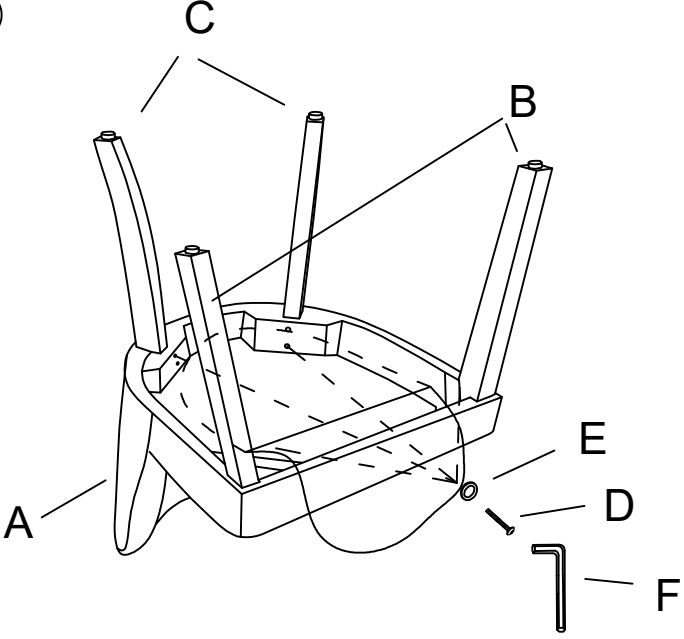


Ax1 	Dx8  M8*60mm
Bx2 	Ex8 
Cx2 	Fx1 

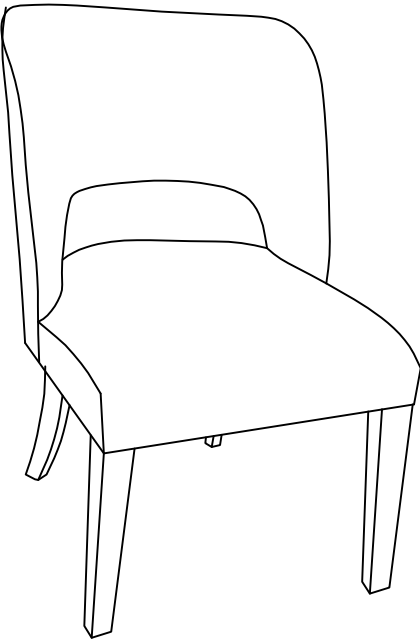
① Unzip the zipper, remove the wooden leg and the hardware package



②



③



We provide fast after-sales service, don't worry if there is something wrong with the package you received. Please contact us first, we will reply you in time!