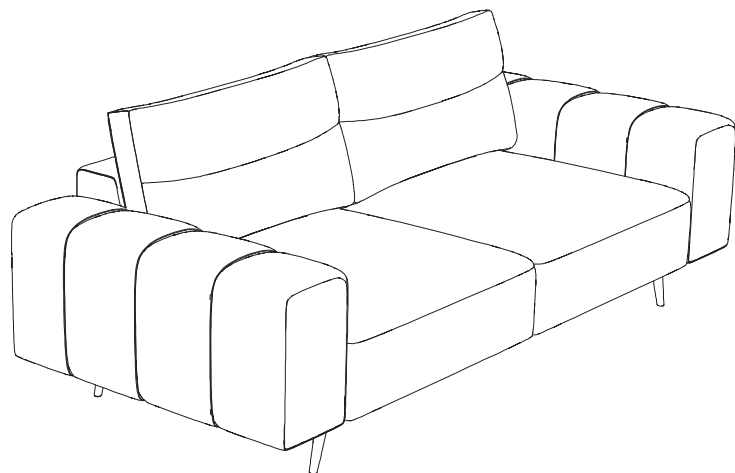


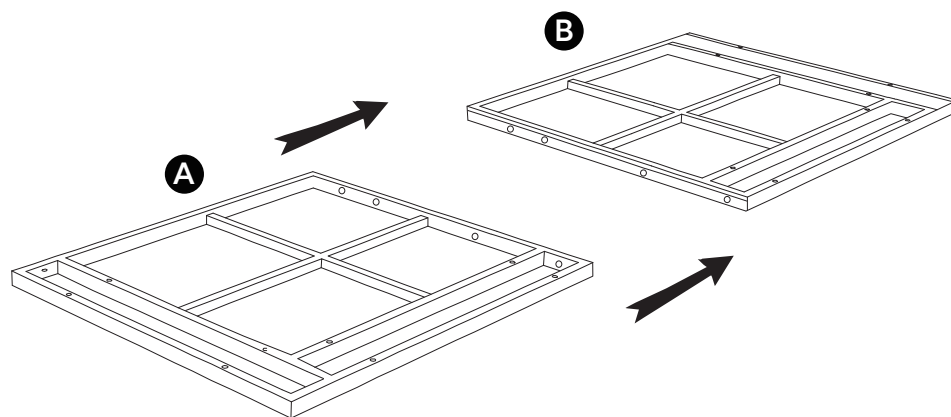
Installation Instructions



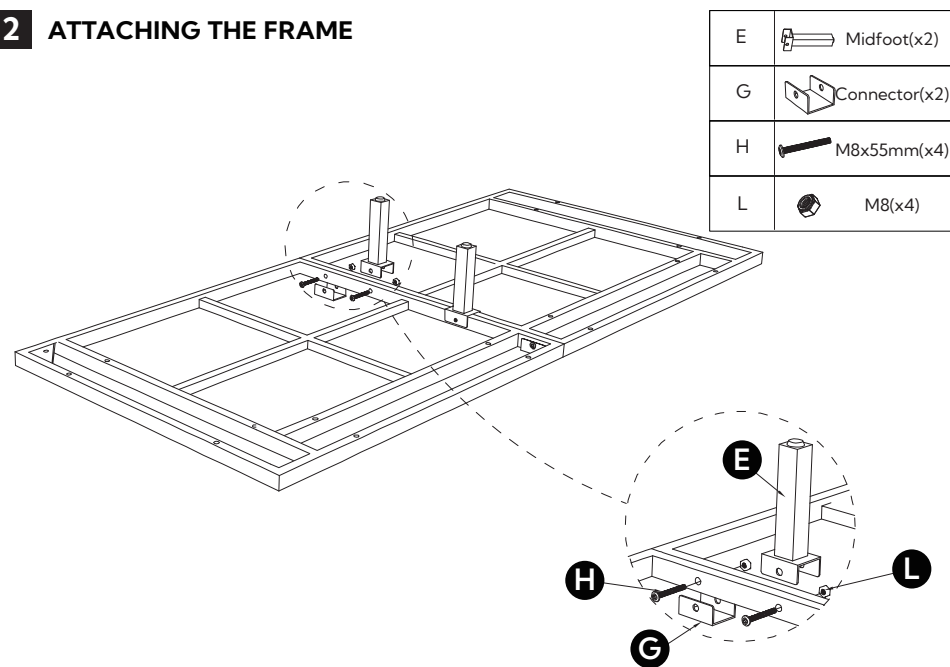
MADE IN CHINA

| | | | |
|---------------------------------------|--------------------------------------|-----------------------------------|-----------------------------------|
| <p>①</p> <p>Back (x2)</p> | <p>②</p> <p>Arm (x1)</p> | <p>③</p> <p>Seat cushion (x2)</p> | <p>④</p> <p>Back cushion (x2)</p> |
| <p>A</p> <p>Right Seat Frame (x1)</p> | <p>B</p> <p>Left Seat Frame (x1)</p> | <p>C</p> <p>Arm rod (x4)</p> | <p>D</p> <p>Back rod (x4)</p> |
| <p>E</p> <p>Midfoot (x2)</p> | <p>F</p> <p>Foot (x4)</p> | <p>G</p> <p>Connector (x2)</p> | <p>H</p> <p>M8x55mm (x4)</p> |
| <p>I</p> <p>M8x25mm (x16)</p> | <p>J</p> <p>5# (x1)</p> | <p>K</p> <p>Wrench (x1)</p> | <p>L</p> <p>M8 (x4)</p> |


1

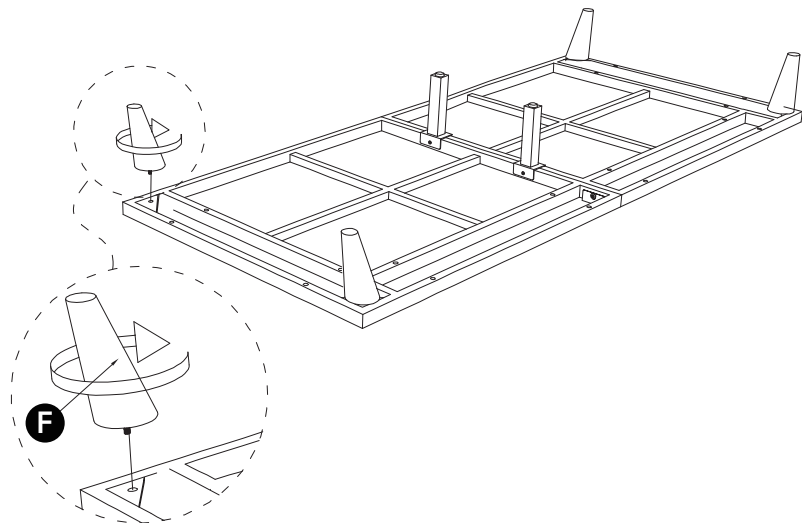


2 ATTACHING THE FRAME







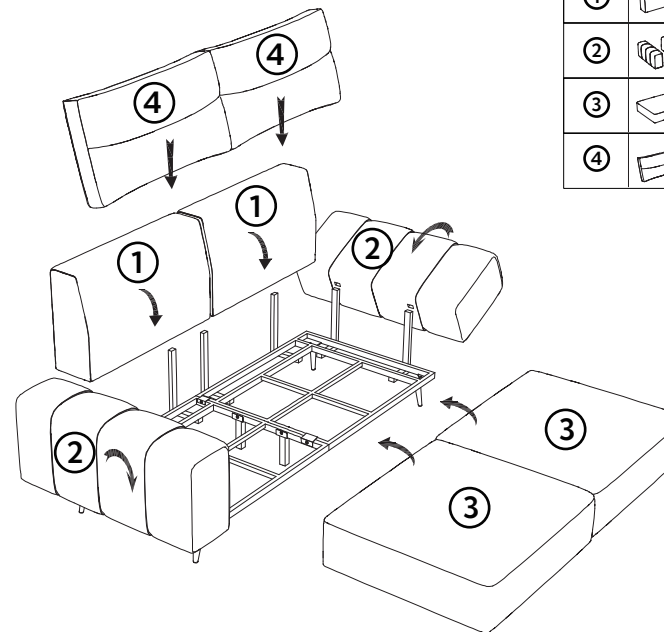
3 INSTALL BASE FEET

| | | |
|---|---|----------|
| F |  | foot(x4) |
|---|---|----------|


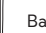



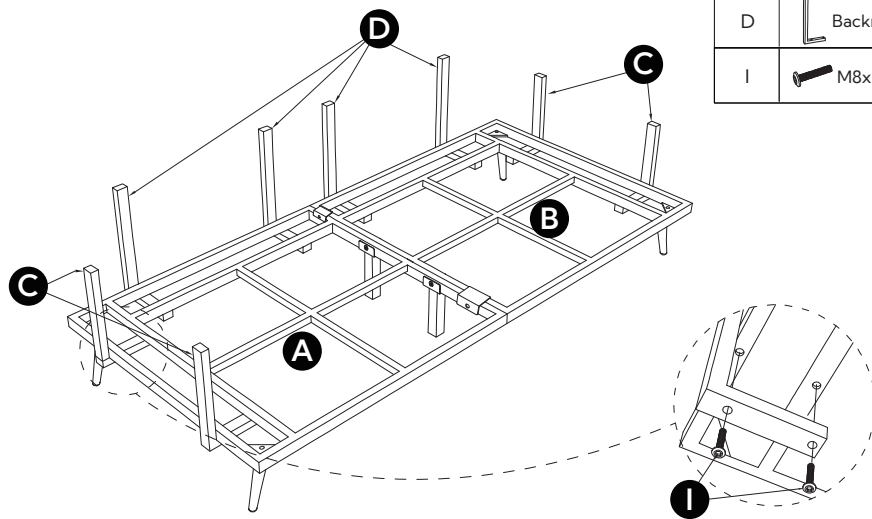
5 INSTALL ALL CUSHION

| | | |
|---|---|-------------------|
| ① |  | Back(x2) |
| ② |  | Arm(x1) |
| ③ |  | Seat cushion (x2) |
| ④ |  | Back cushion (x2) |



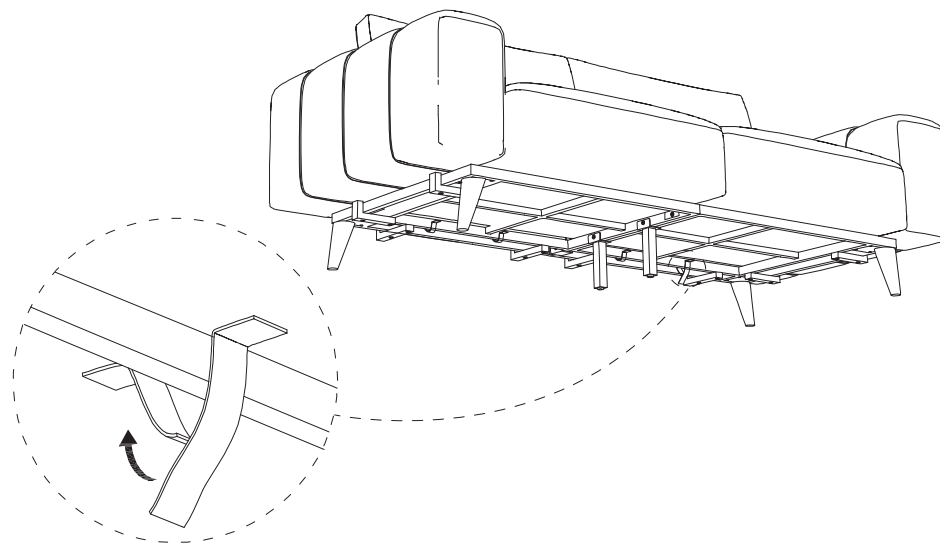
4 UPSIDE-DOWN FRAME

| | | |
|---|---|------------------|
| C |  | Handrail(x4) |
| D |  | Backrest rod(x4) |
| I |  | M8x25mm(x16) |



6 SECURE WITH STRAPS

Secure the straps on the seat cushion (③) to the frame.





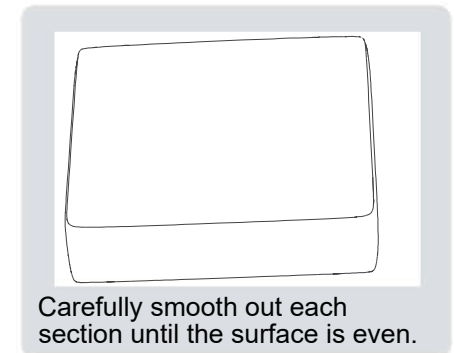
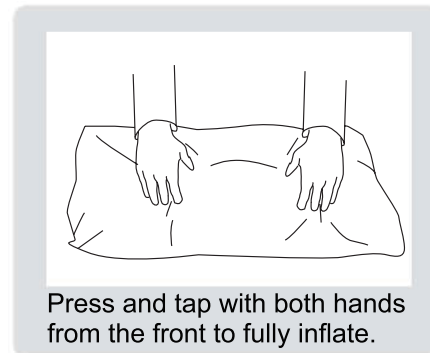
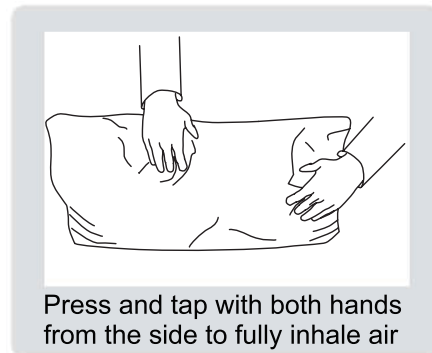
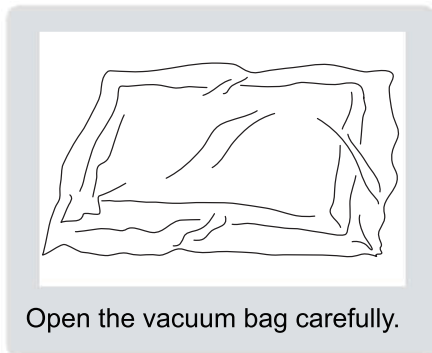
Safety and Care Advice

Important – Please read these instructions fully before starting assembly

Thanks for your purchase. Before the assembly, please follow the instruction to check if all the spare parts and screws are intact.

- Considering the size and weight of the sofa, we recommend two adults to assemble the sofa, on a carpeted or padded area, in the room that it is intended for. Approximate assembly time: 30 minutes.
- Keep all components and packaging out of reach of children or animals to avoid risk of choking or suffocation.
- Please do not throw away any of the packaging or the instruction until you have checked all the components and hardware and the furniture is fully assembled. Please ensure that the packaging is disposed of in a safe and environmentally friendly way.
- Please do not take off the cover, and do not wash.

Your cushions come vacuum packed and sealed for shipping. To restore the cushion's original shape, follow the steps below.



After packing up, place them in somewhere dry and ventilated. After about 72-96 hours, it can be restored to the best use condition.