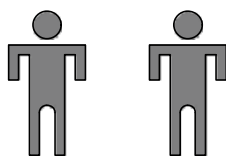
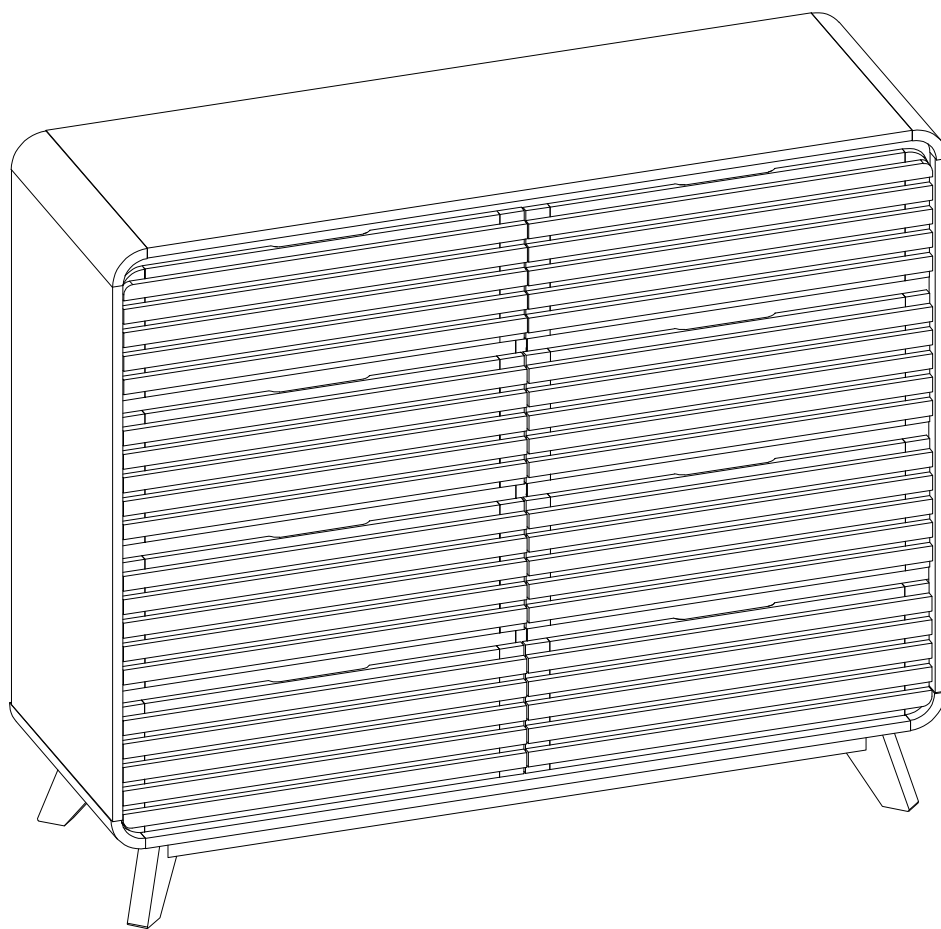
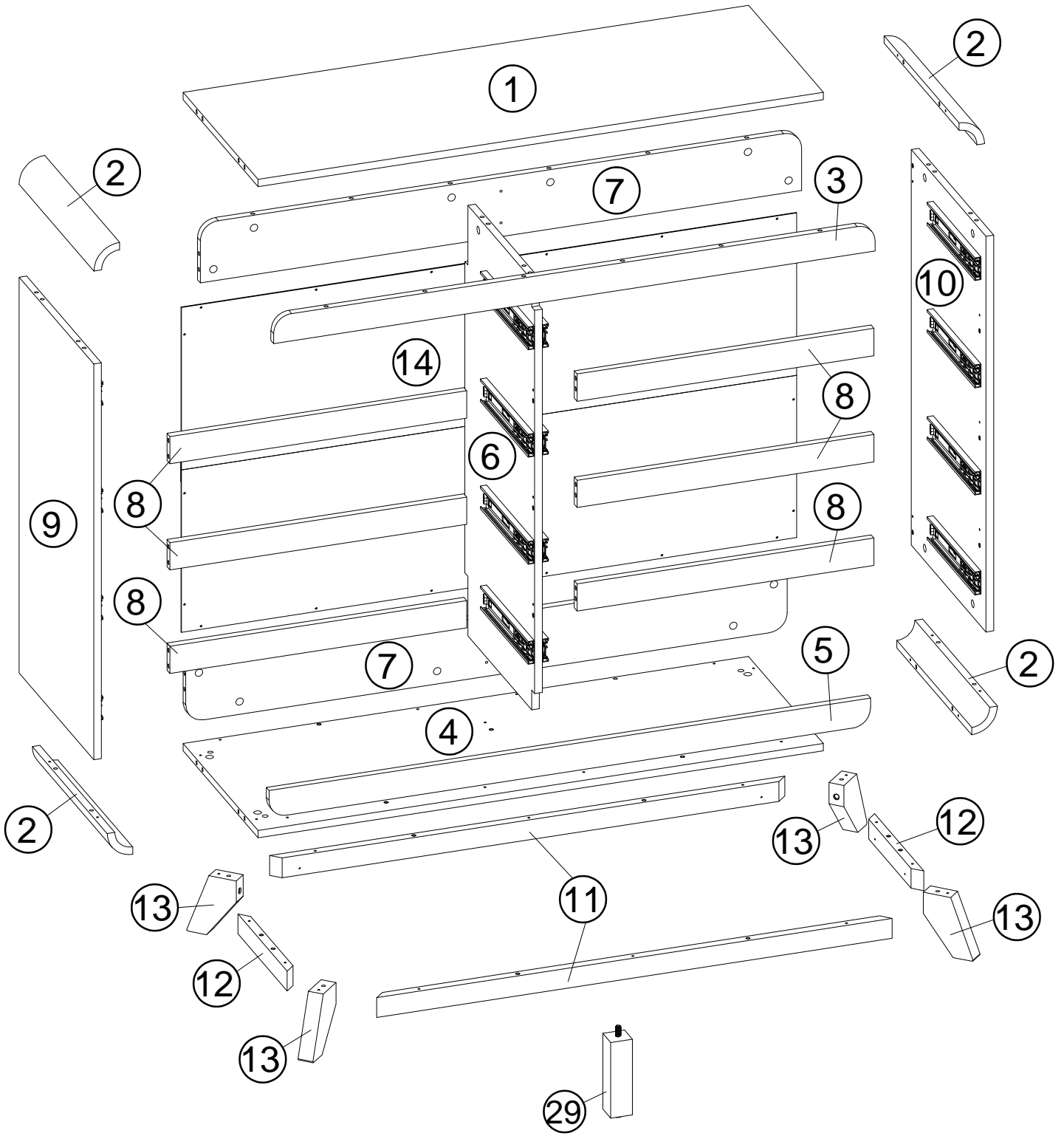


ASSEMBLY INSTRUCTIONS

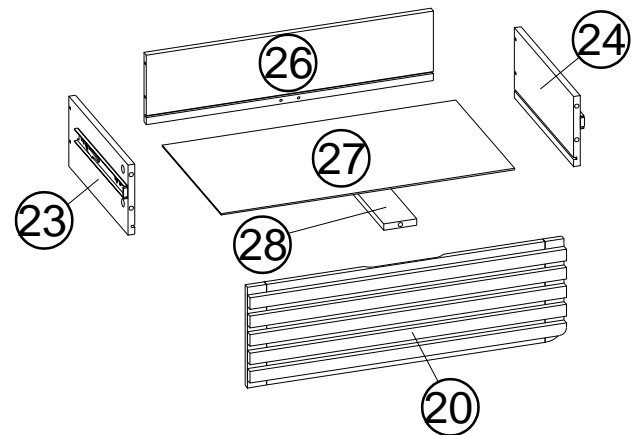
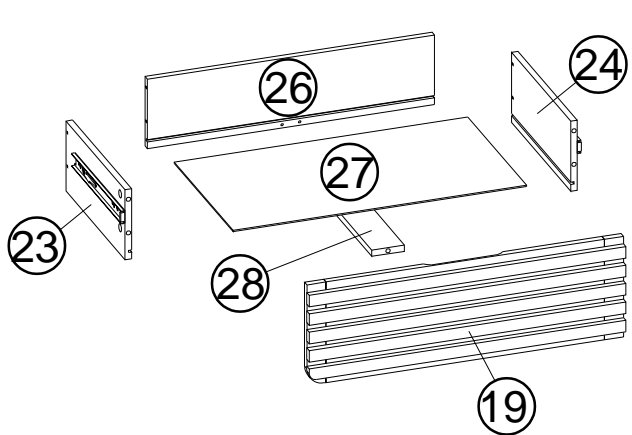
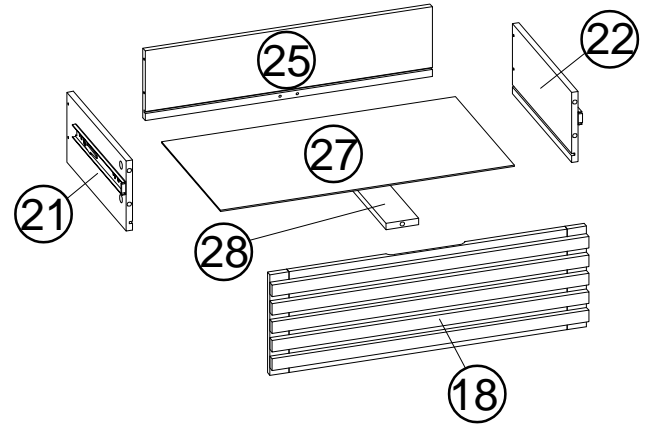
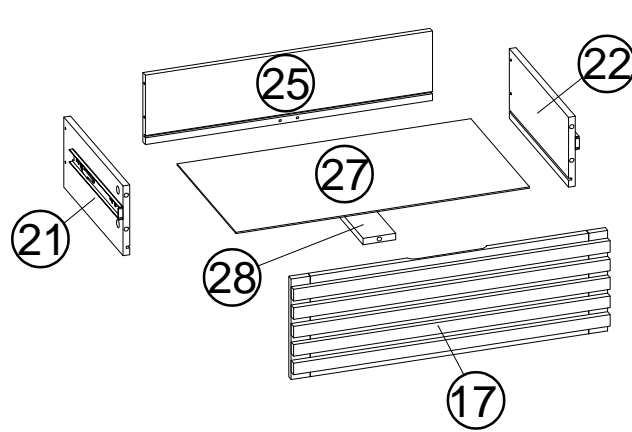
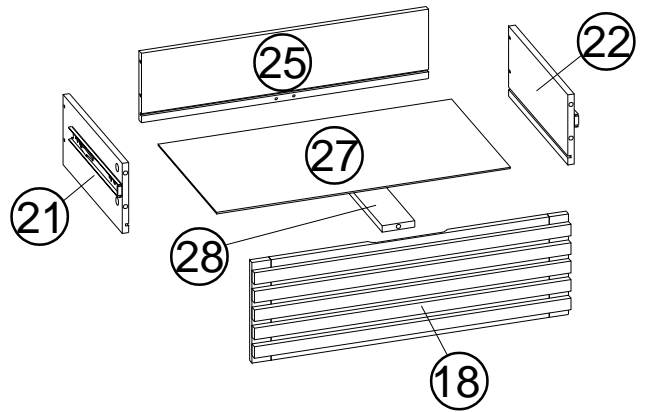
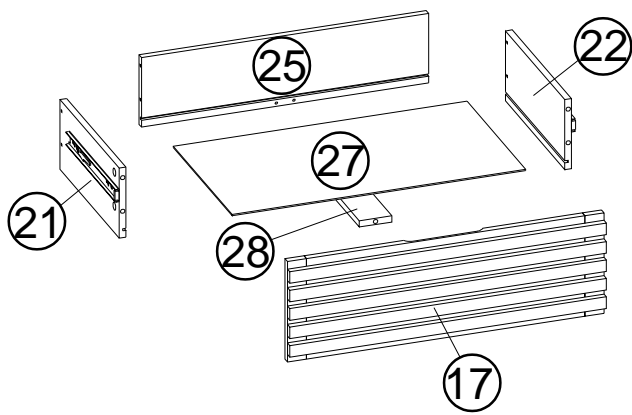
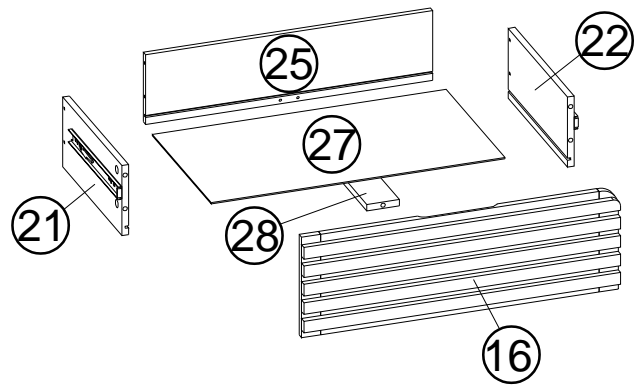
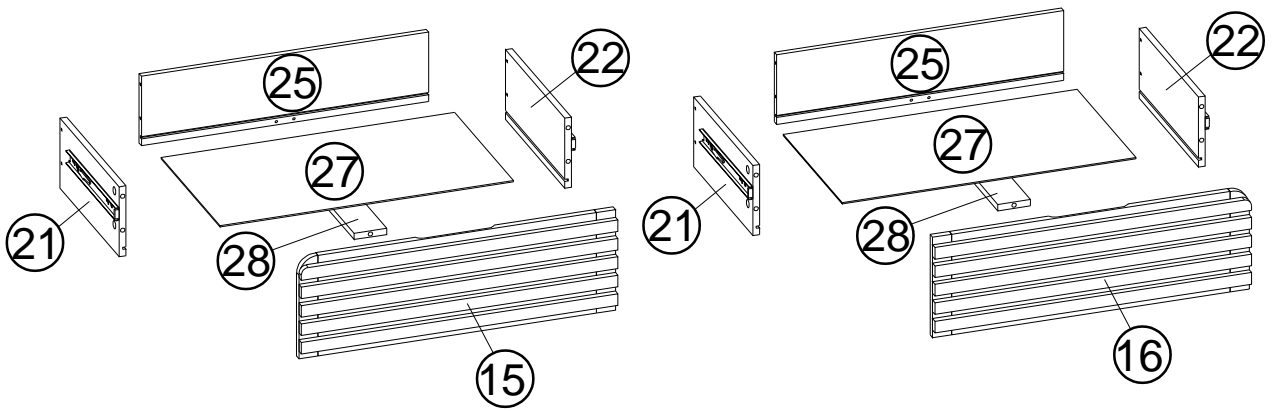


2 people for assembly

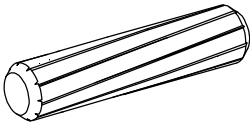



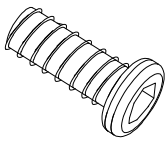
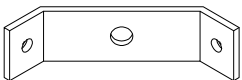
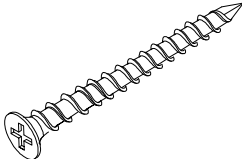
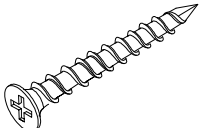
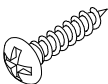
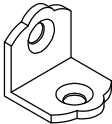

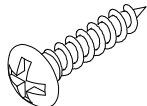
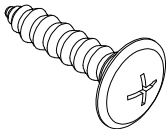
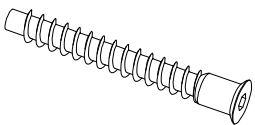
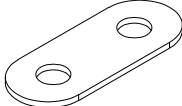
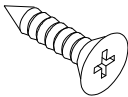
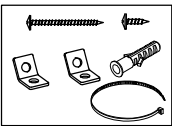

PACKAGE INCLUDE



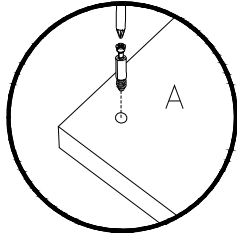
PACKAGE INCLUDE



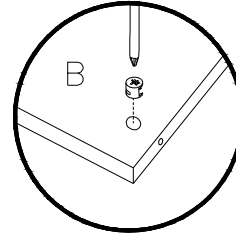
PACKAGE CONTENT

<p>$\phi 7.8 \times 30 \text{MM}$</p>  <p>A 58X+2</p>	<p>B 32X+1</p> 	<p>$\phi 6 \times 34 \text{MM}$</p>  <p>C 90X+2</p>	<p>$\phi 15 \times 12 \text{MM}$</p>  <p>D 50X+2</p>
<p>$\phi 1/4" \times 22 \text{mm}$</p>  <p>E 4X+1</p>	<p>F 4X</p> 	<p>$\phi 4 \times 50 \text{MM}$</p>  <p>G 14X+1</p>	<p>$\phi 4 \times 38 \text{MM}$</p>  <p>H 48X+2</p>
<p>$\phi 4 \times 12 \text{MM}$</p>  <p>I 8X+1</p>	<p>J 4X</p> 	<p>$\phi 15 \times 9 \text{MM}$</p>  <p>K 40X+2</p>	<p>$\phi 4 \times 14 \text{MM}$</p>  <p>L 8X+1</p>
<p>$\phi 3.5 \times 15 \text{MM}$</p>  <p>M 24X+1</p>	<p>$\phi 6 \times 50 \text{MM}$</p>  <p>N 4X+1</p>	<p>O 4X</p> 	<p>$\phi 3 \times 14 \text{MM}$</p>  <p>P 8X+1</p>
<p>Q 2X</p> 	<p>1X</p> 		

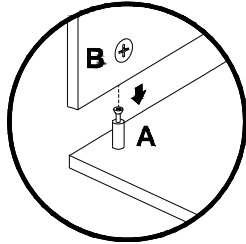
How to use the cam lock system



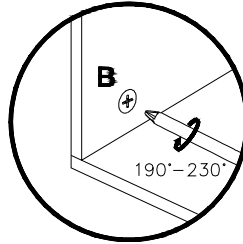
1. Screw cam bolt into panel



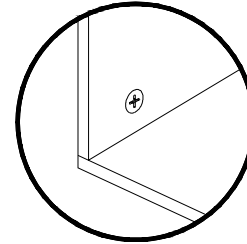
2. Push cam into panel - arrow feature on cam top points to panel edge



3. Align cam bolt(s) with cam(s) and insert all the way into cross-bored hole(s)

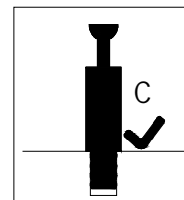
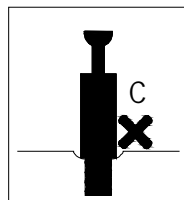
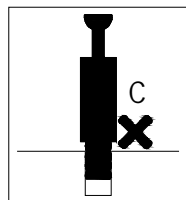
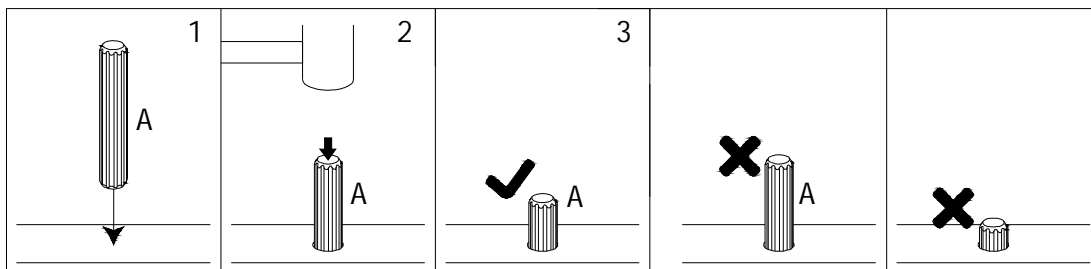


4. Rotate cam(s) clockwise 190°-230° to lock panels together



5. Panels should be tight against each other and connection should be rigid

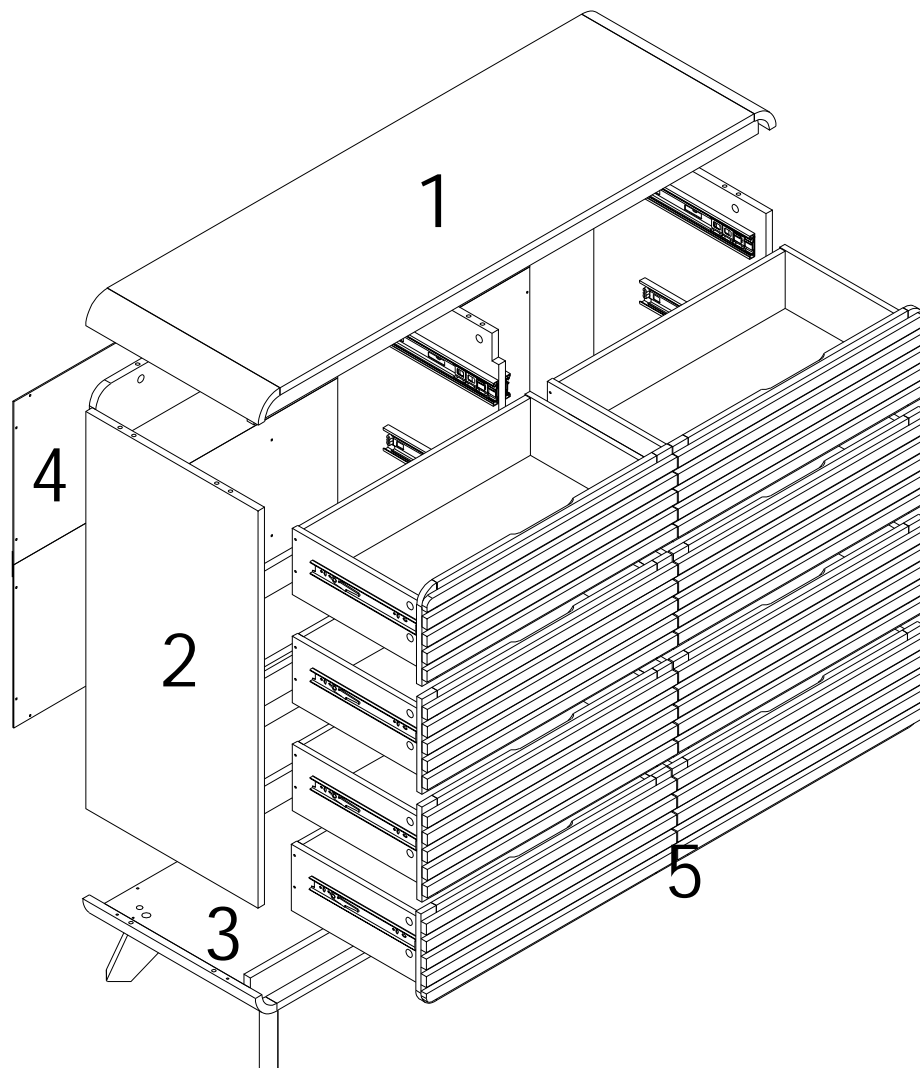
Insert the wood dowel (A) at least half way by tapping lightly with a rubber mallet, IF NECESSARY



⚠ WARNING

- Unit must be placed on a level surface or leveled with included hardware (when applicable).
- Do not sit or stand on or allow children to climb, sit or stand on the assembled product.
- For safety reasons, it is imperative that this unit be mounted to the wall.
- Do not use without installing the tip restraint.
- Unit can tip over causing severe injury or death.
- Do not exceed the recommended weight limits.
- Evenly distribute the weight on each level and always keep the heavier loads on the bottom.
- Before cutting, drilling or hammering into any wall or floor surface, verify the location of electrical, plumbing and gas lines. Cutting may cause serious injury.

Now you can assemble the TV console.



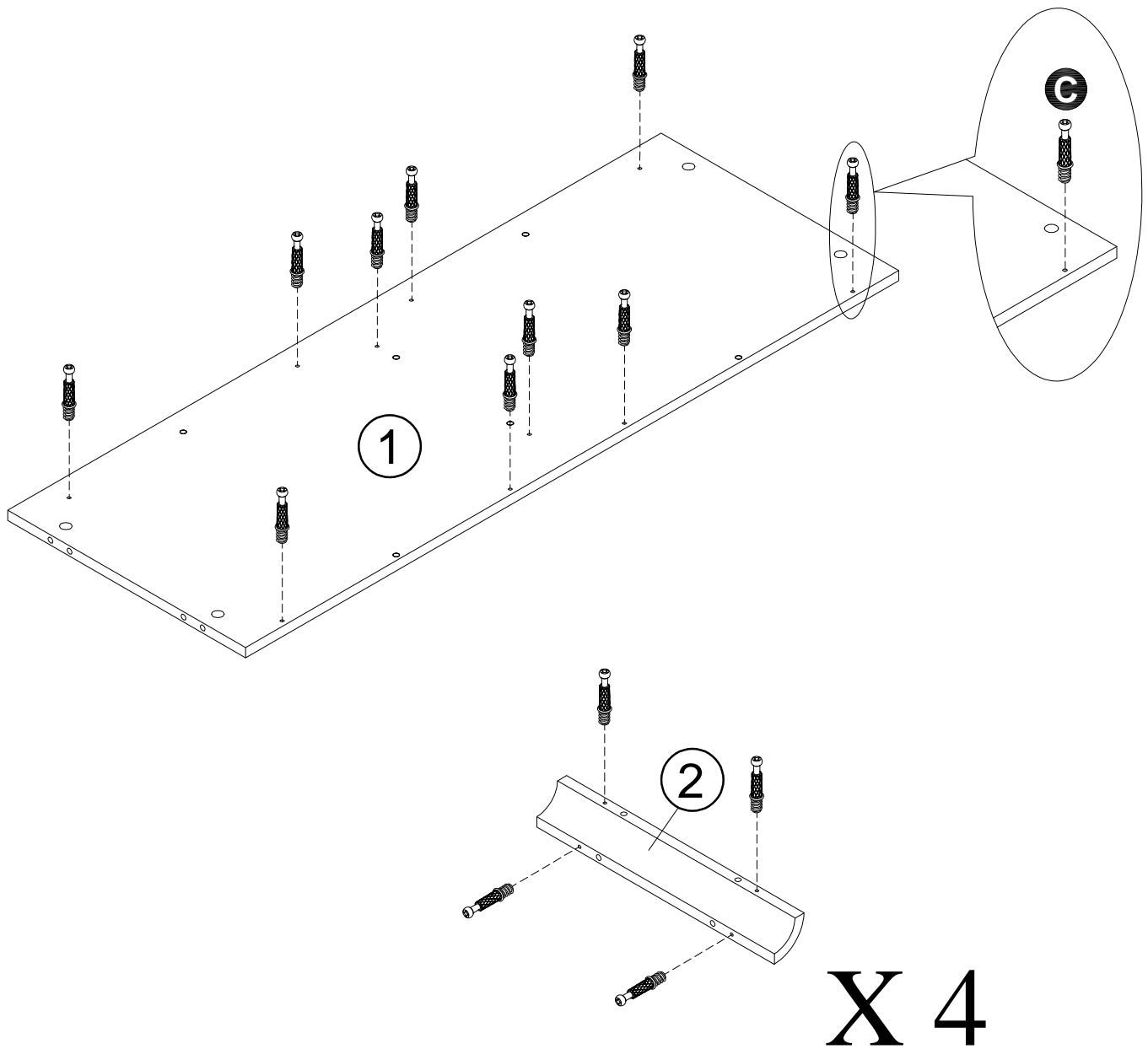
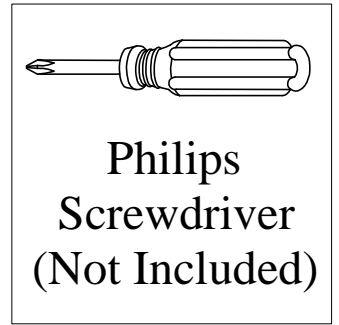
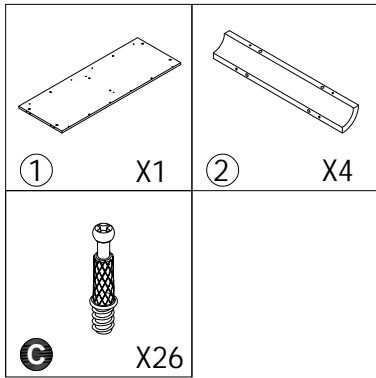
The installation process is divided into Five parts:

1. Install the cabinet top part
2. Install the cabinet body
3. Install the bottom part
4. Install the back part
5. Install the drawers part

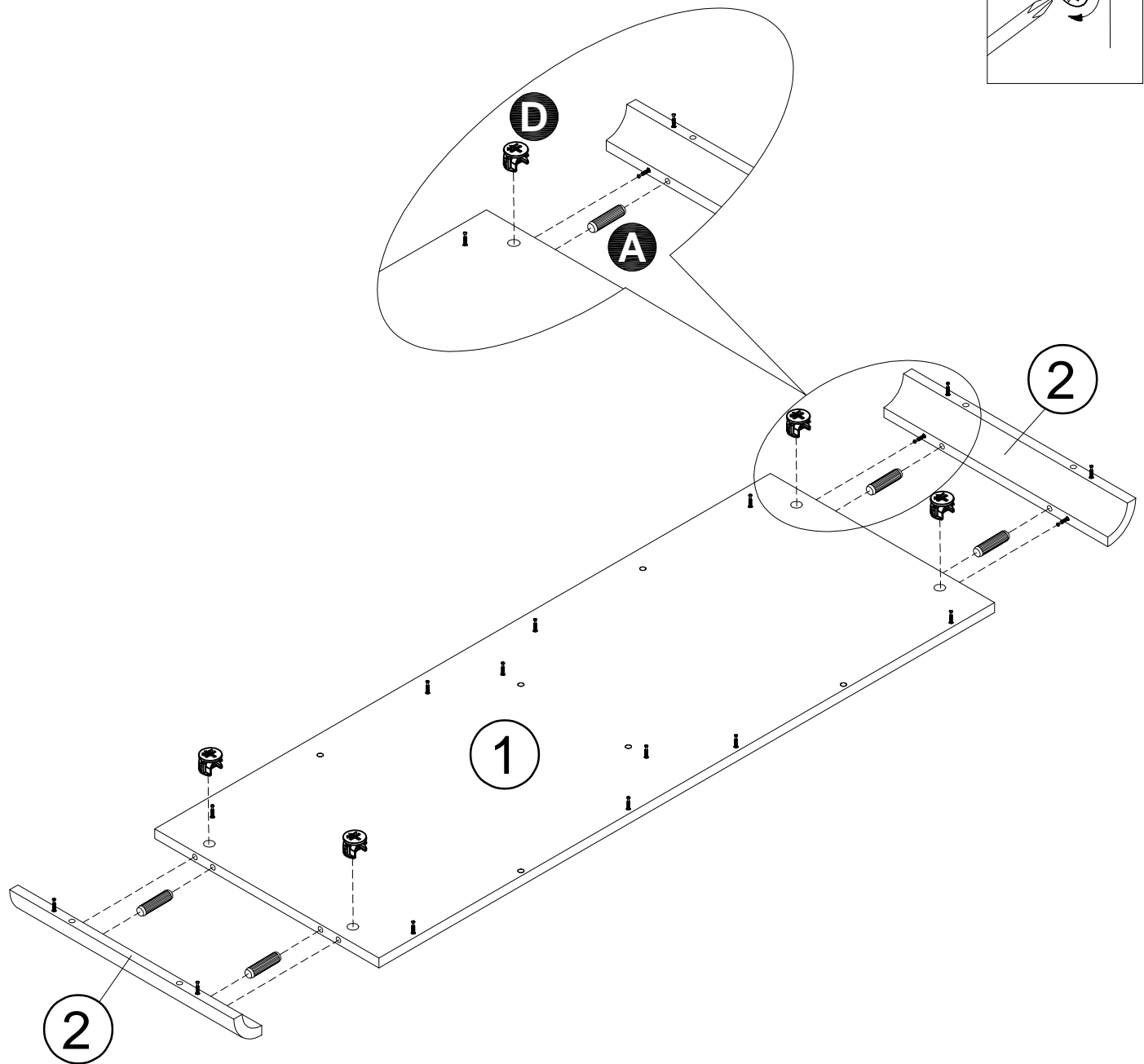
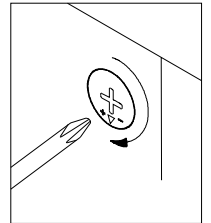
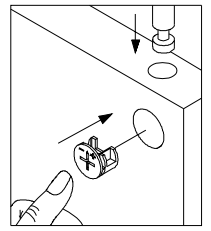
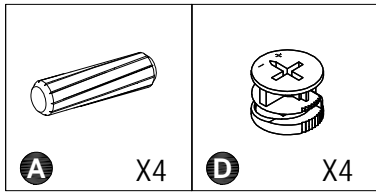
Tip:

Using an electric screwdriver will make assembly easier.

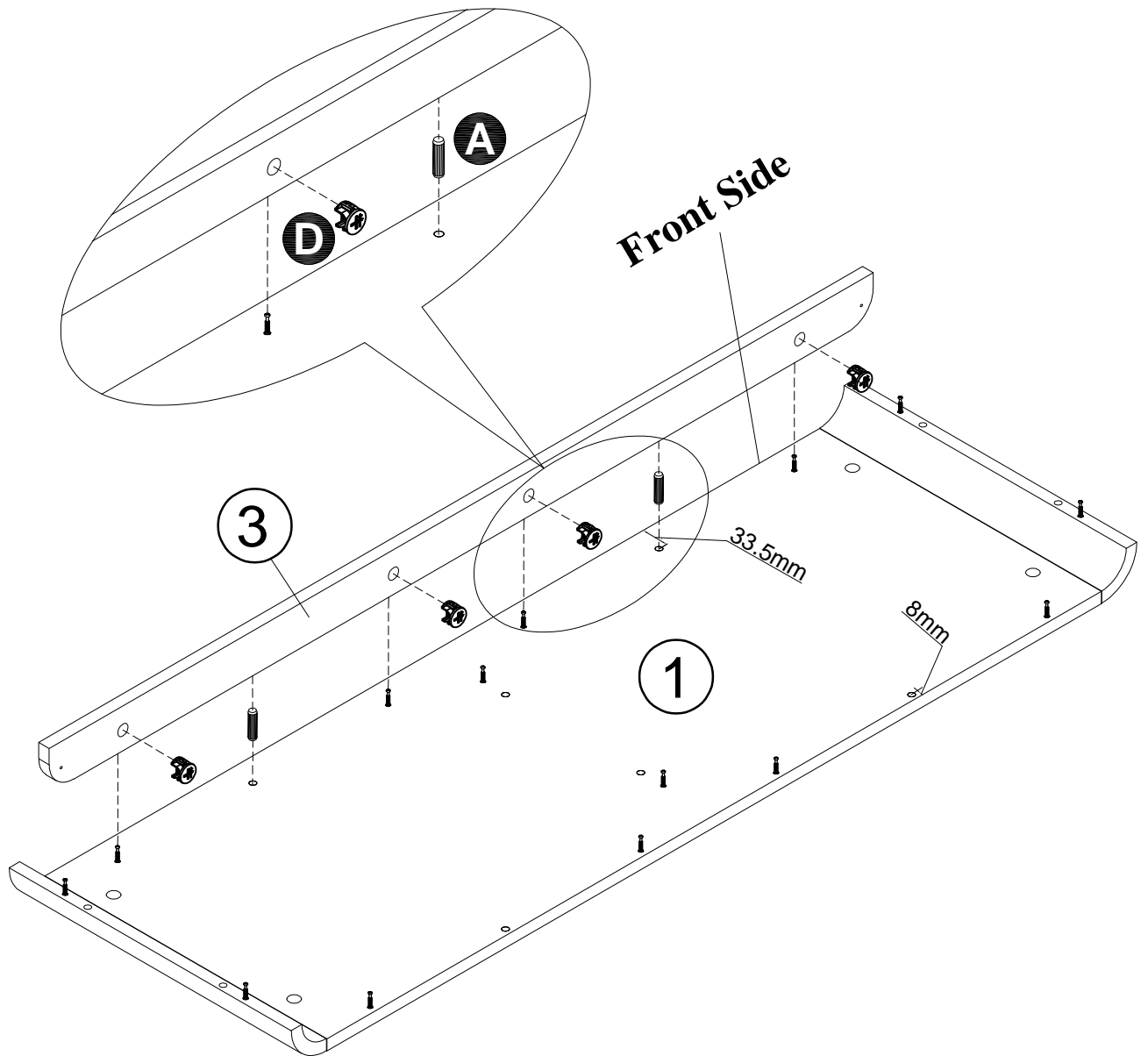
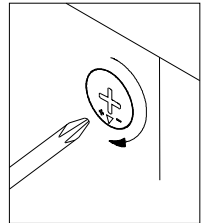
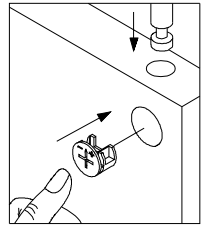
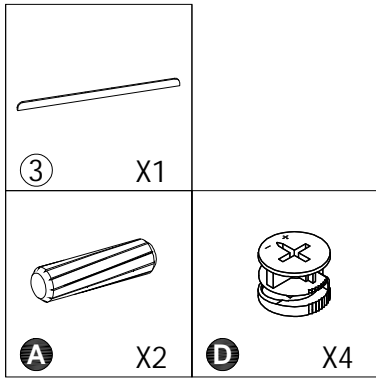
STEP 1



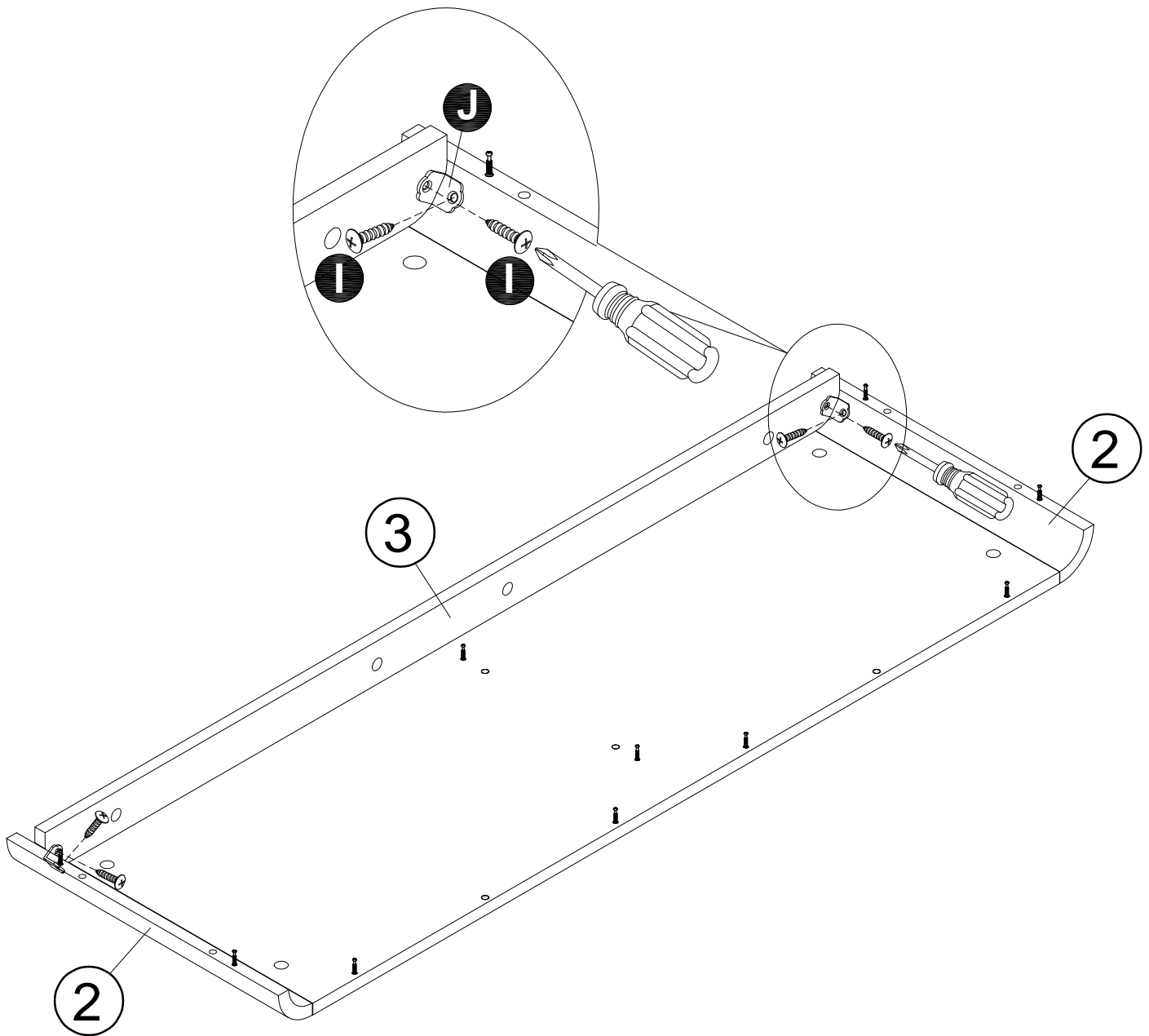
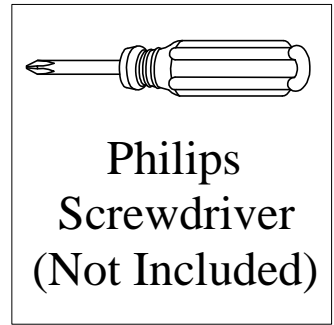
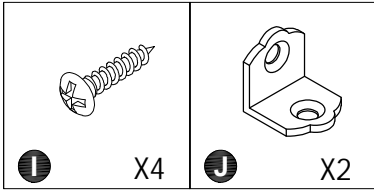
STEP 2



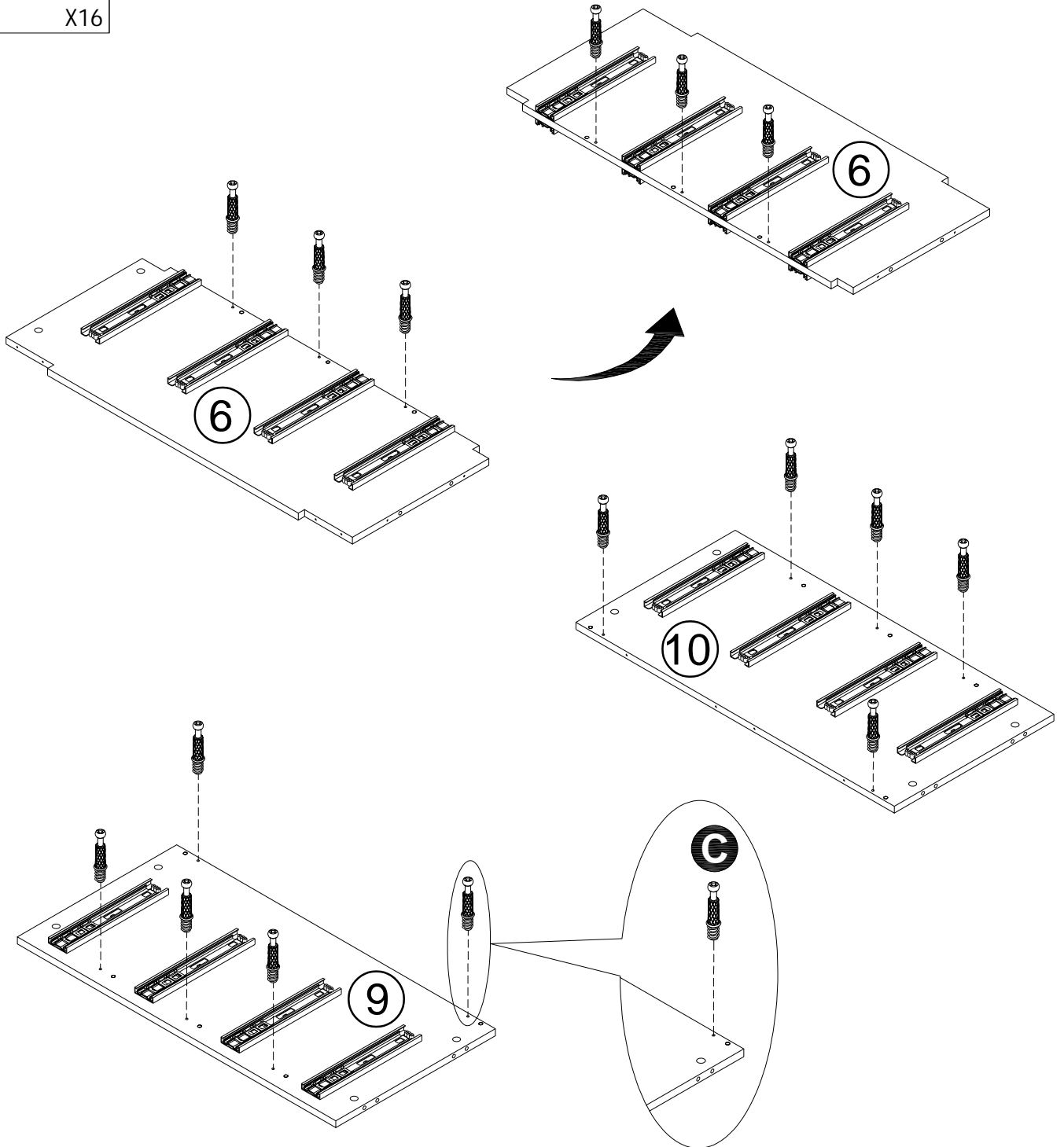
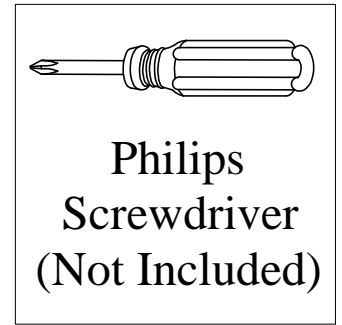
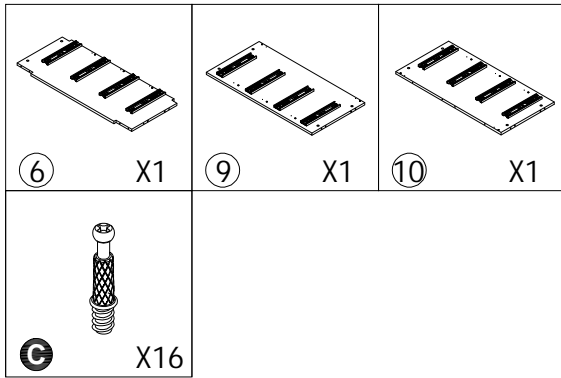
STEP 3



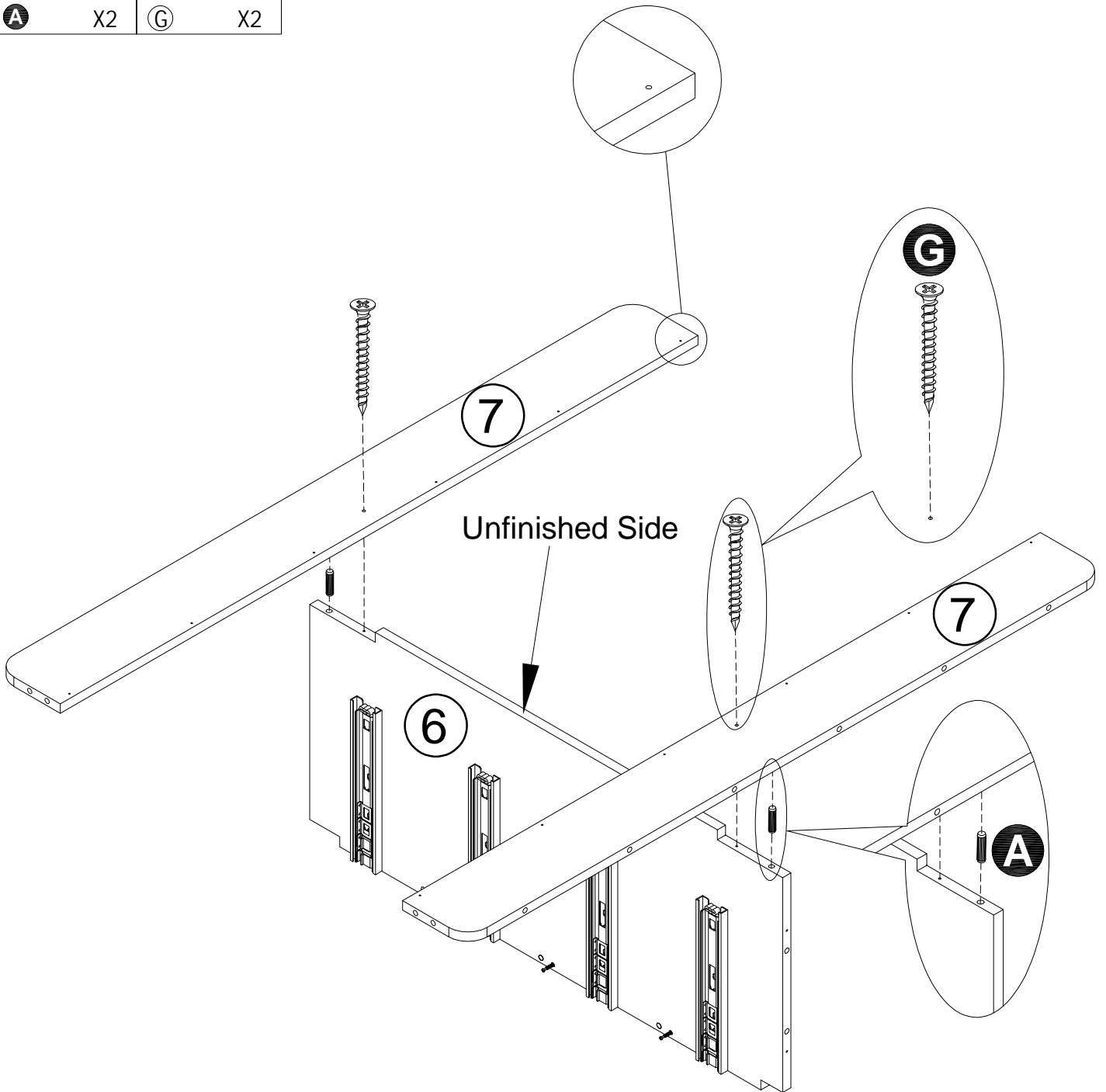
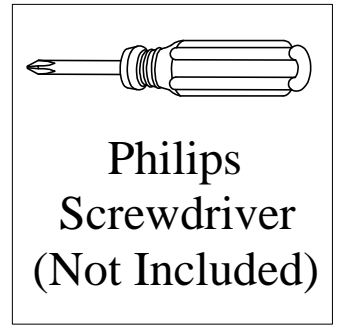
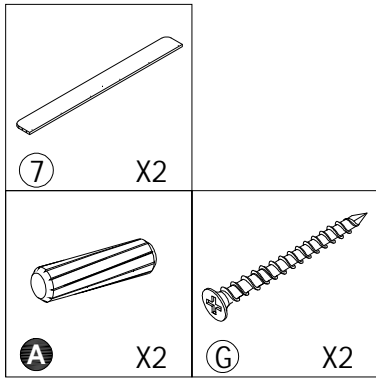
STEP 4



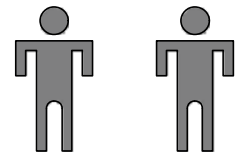
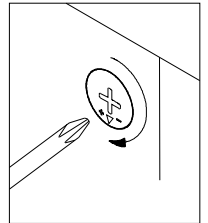
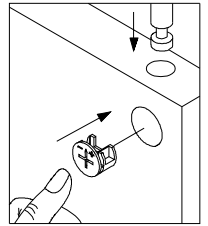
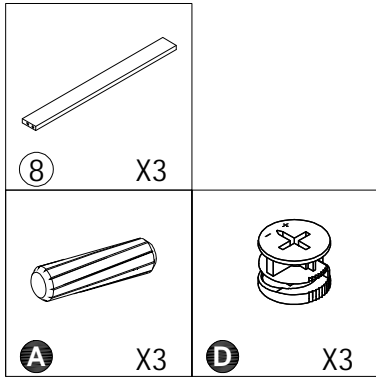
STEP 5



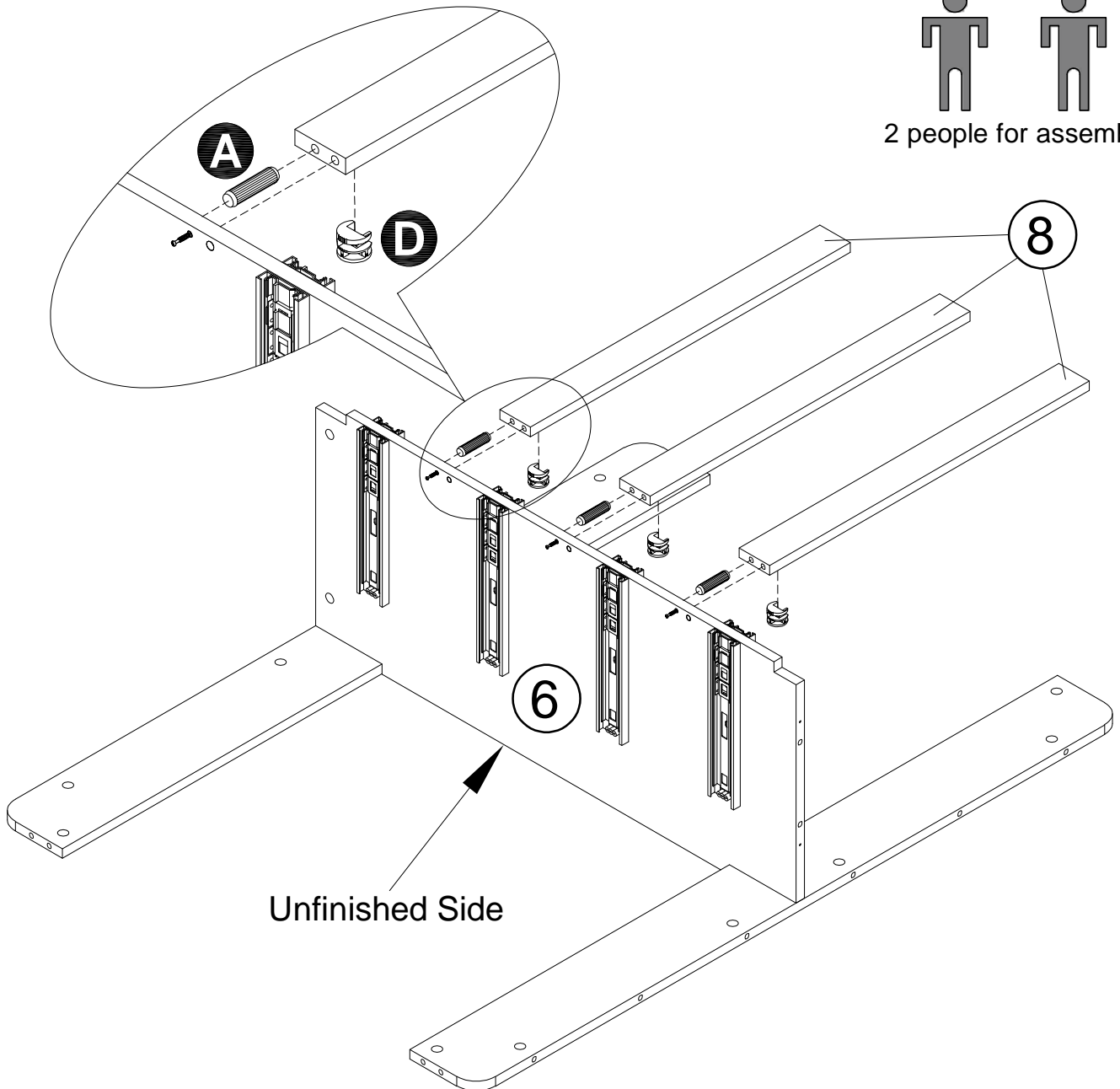
STEP 6



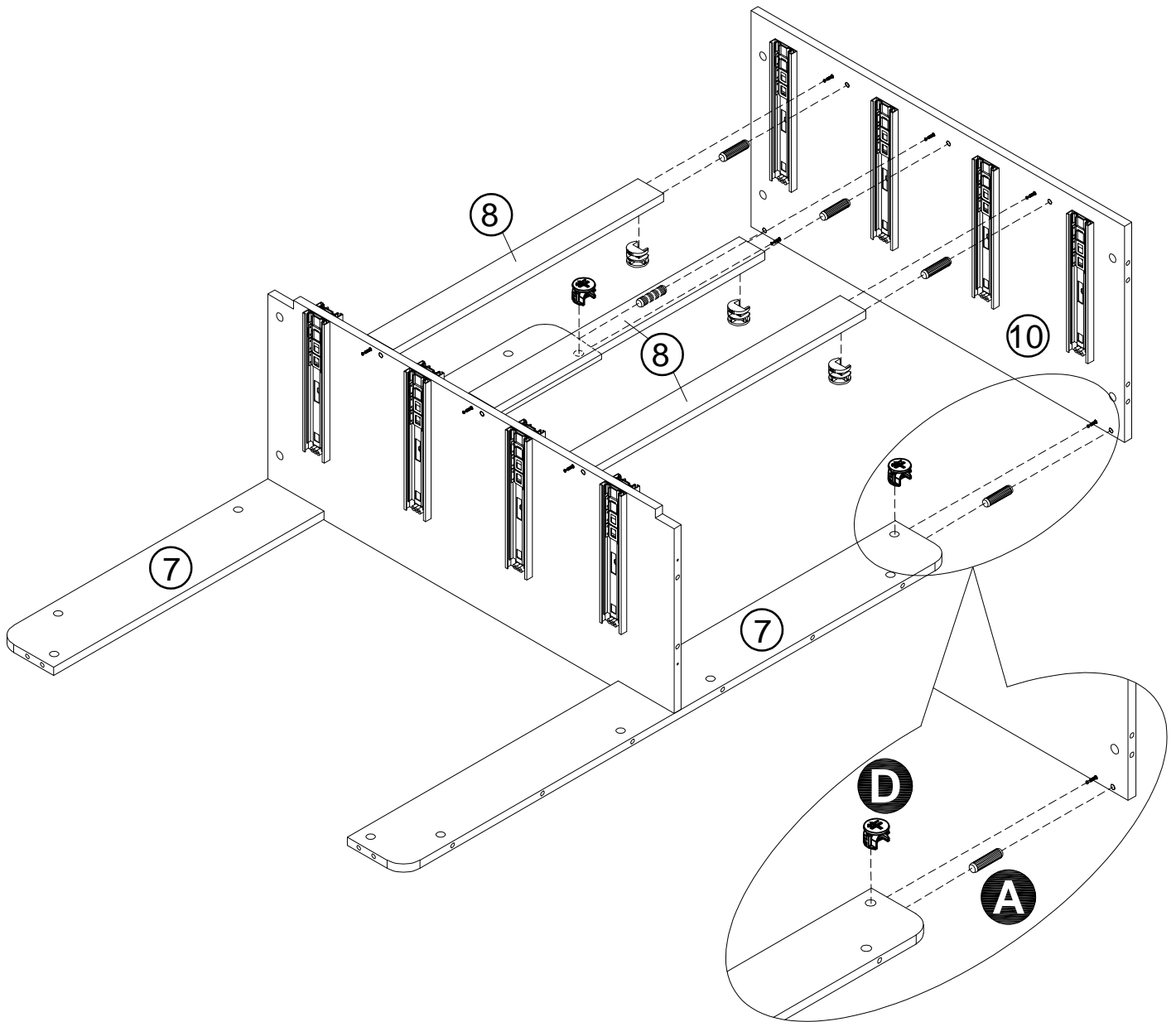
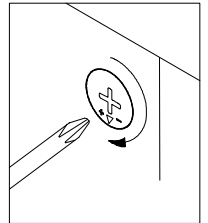
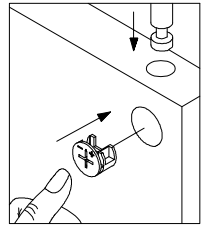
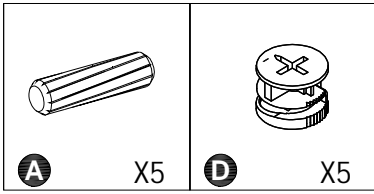
STEP 7



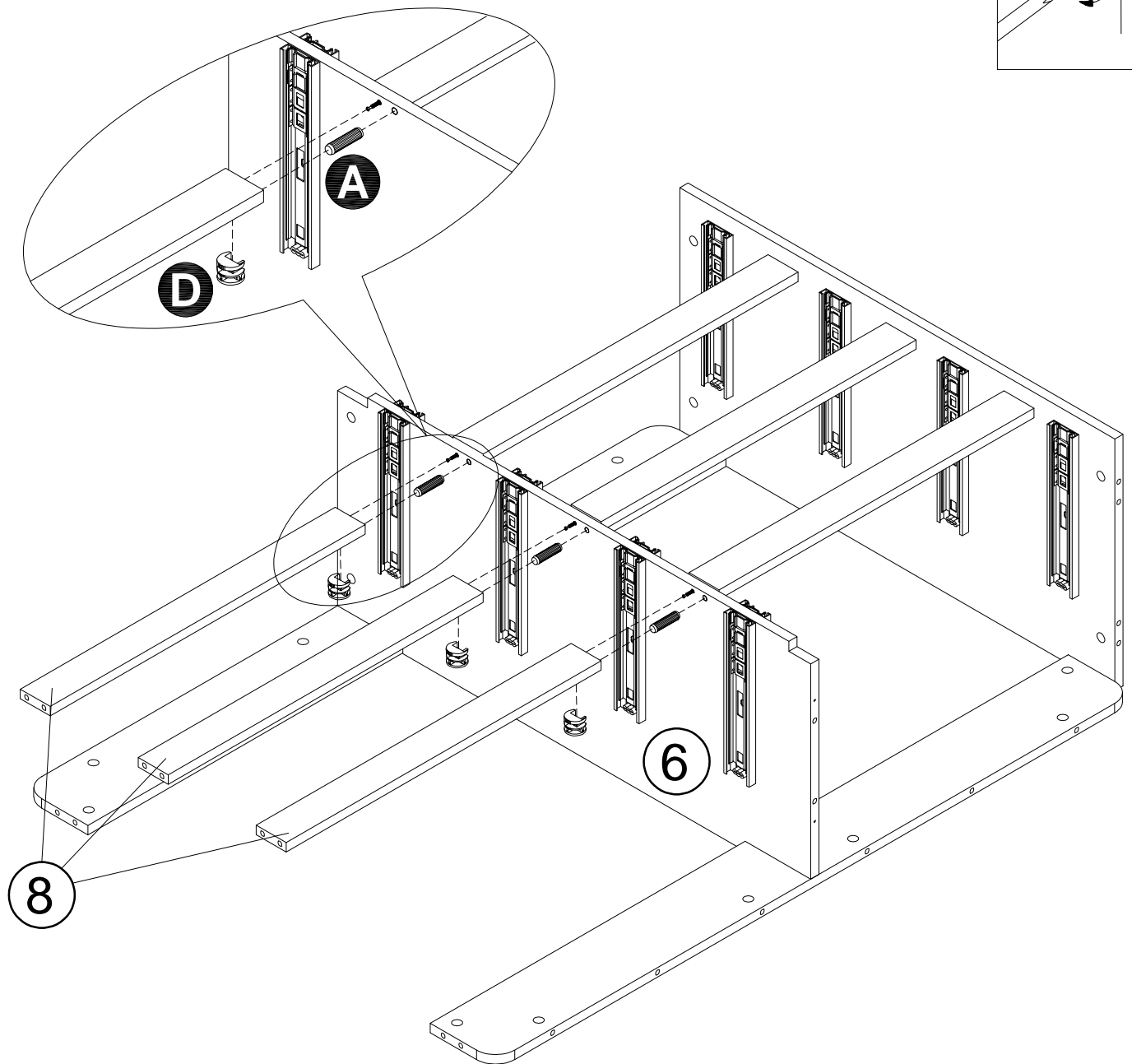
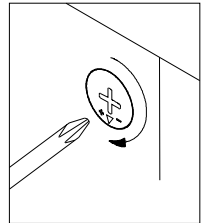
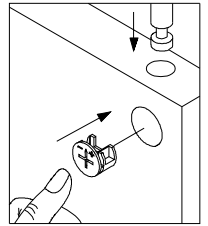
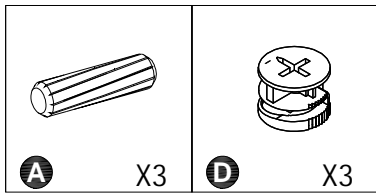
2 people for assembly



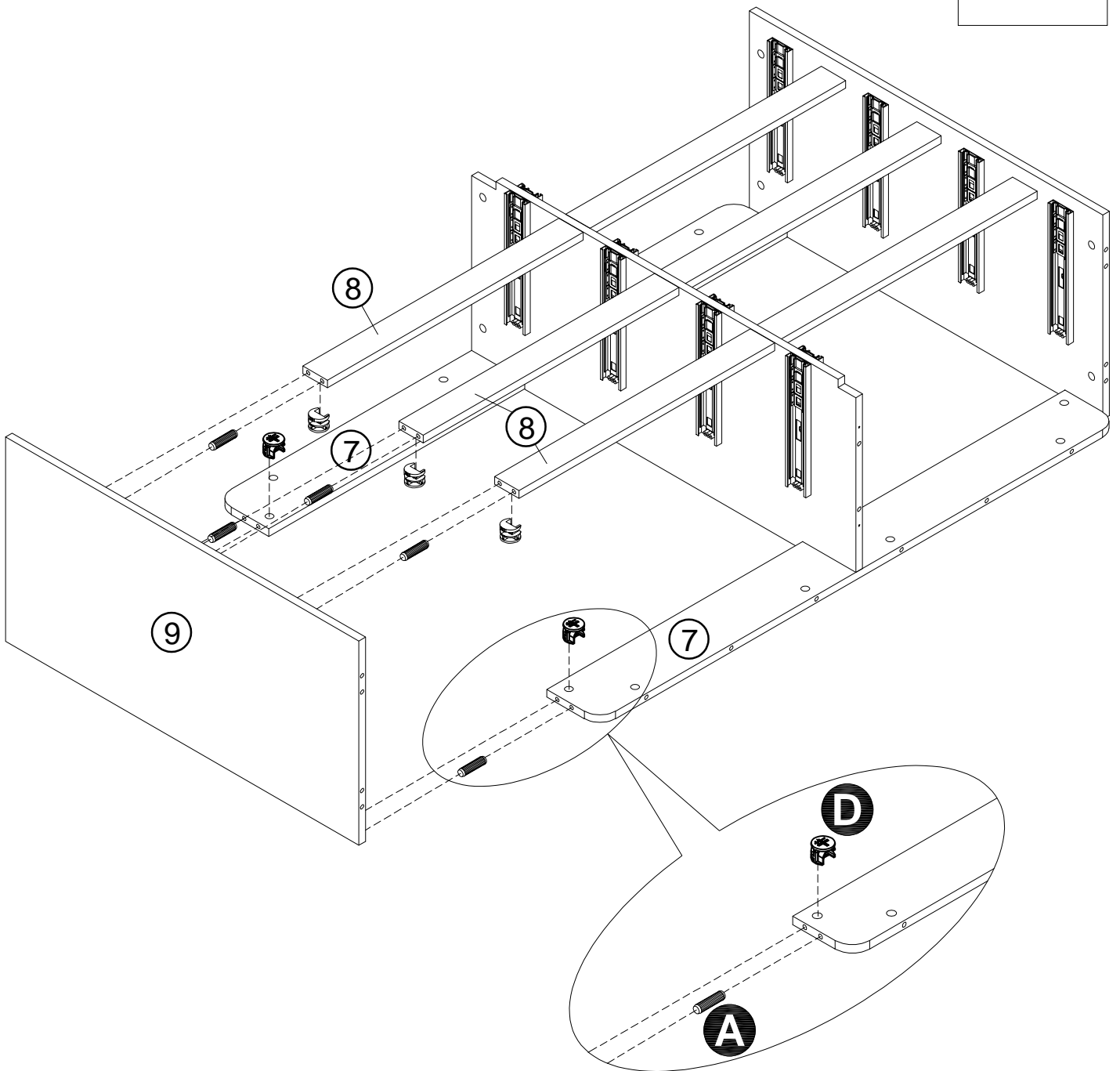
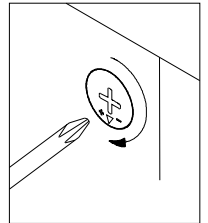
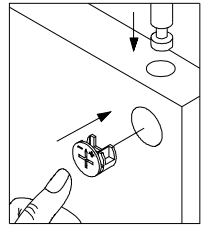
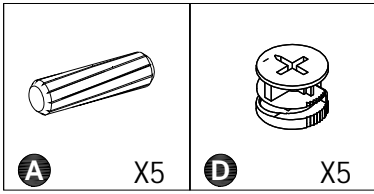
STEP 8



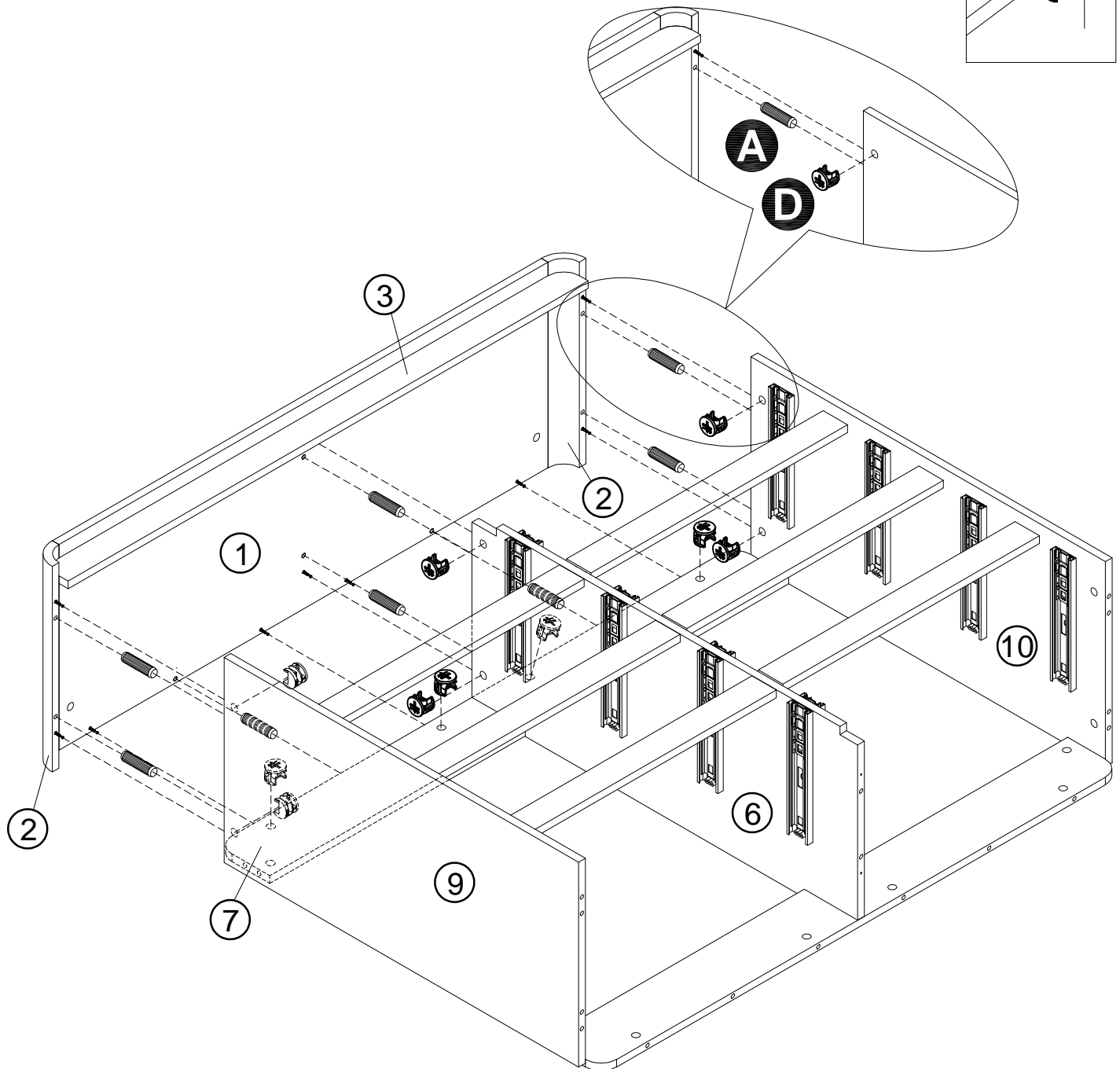
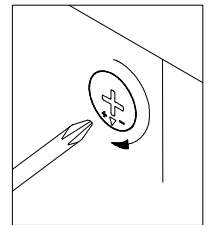
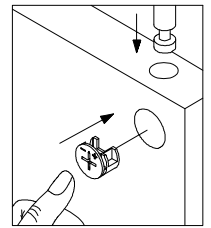
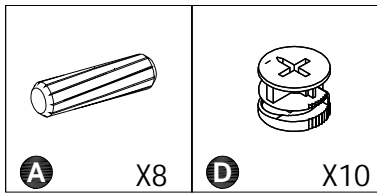
STEP 9



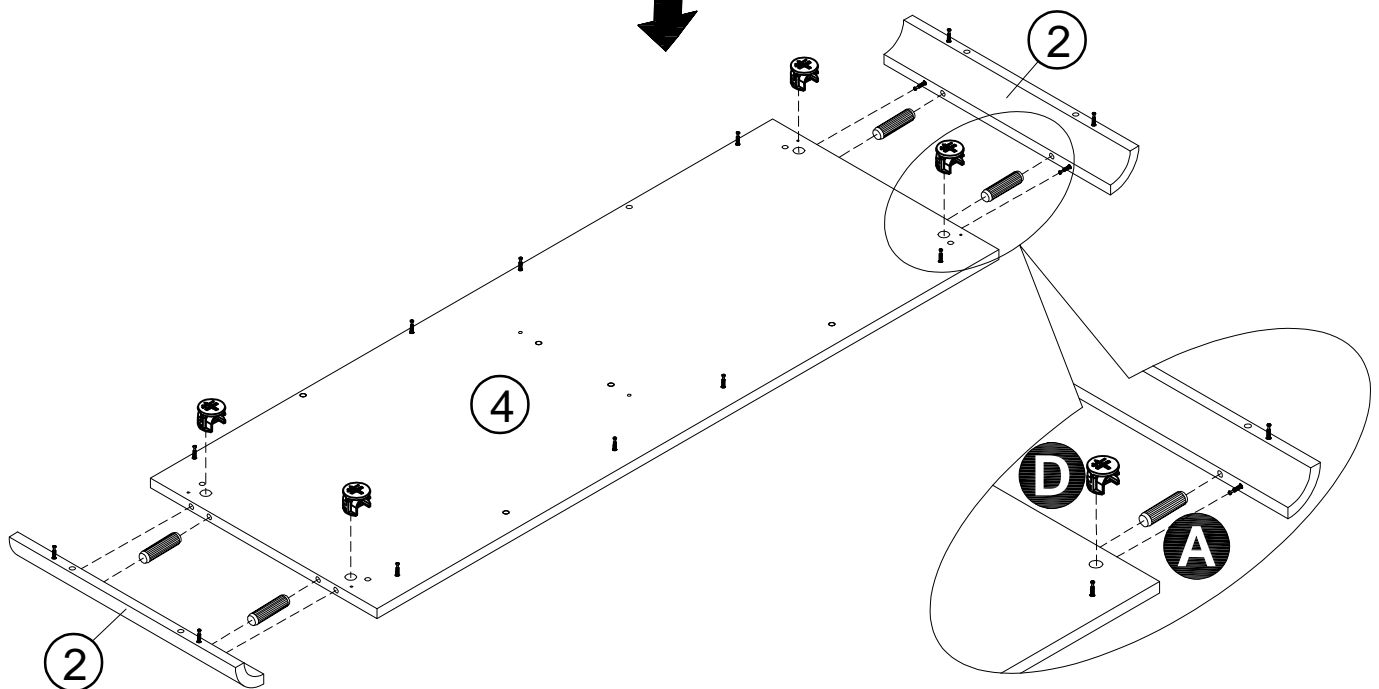
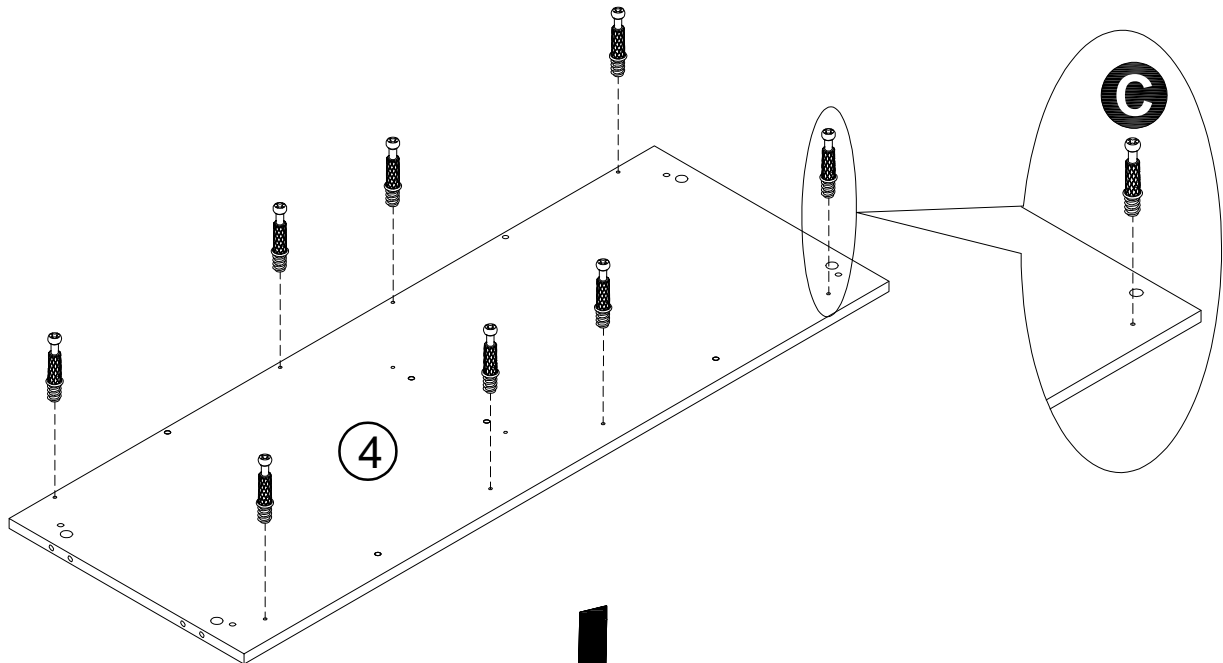
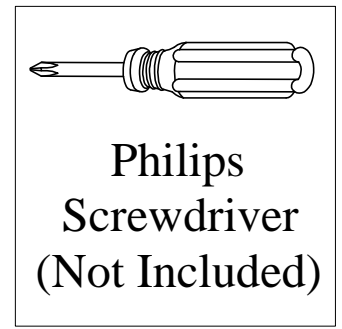
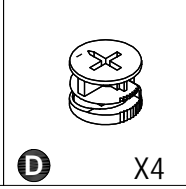
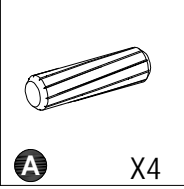
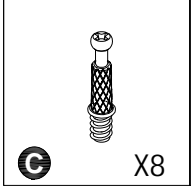
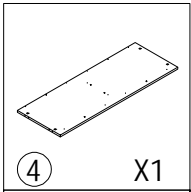
STEP 10



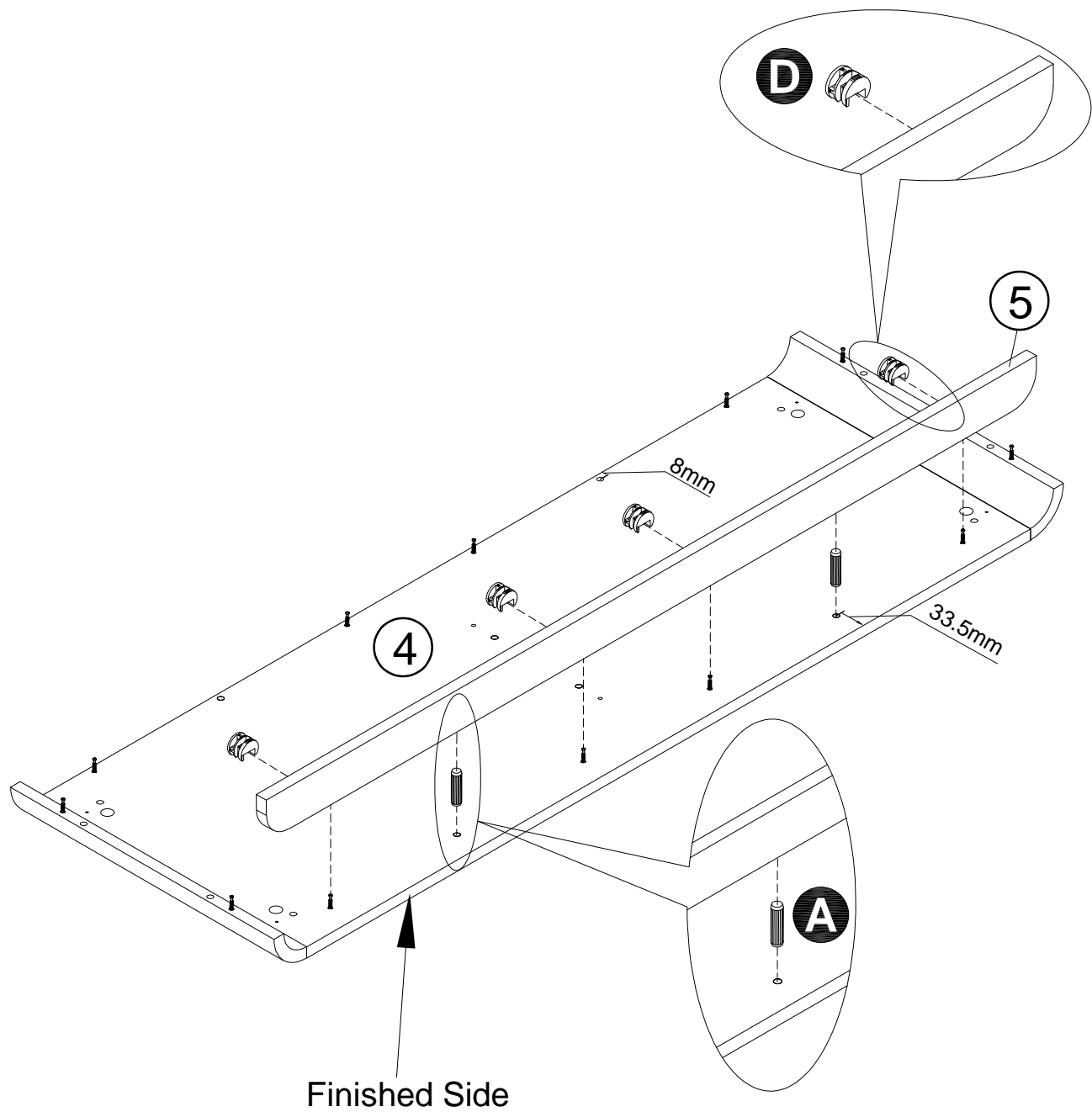
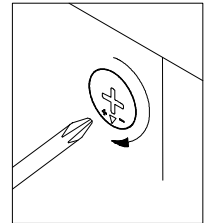
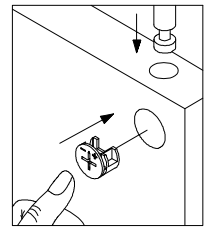
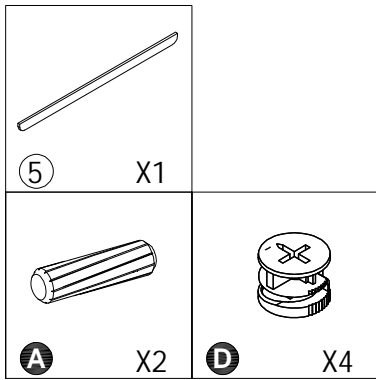
STEP 11



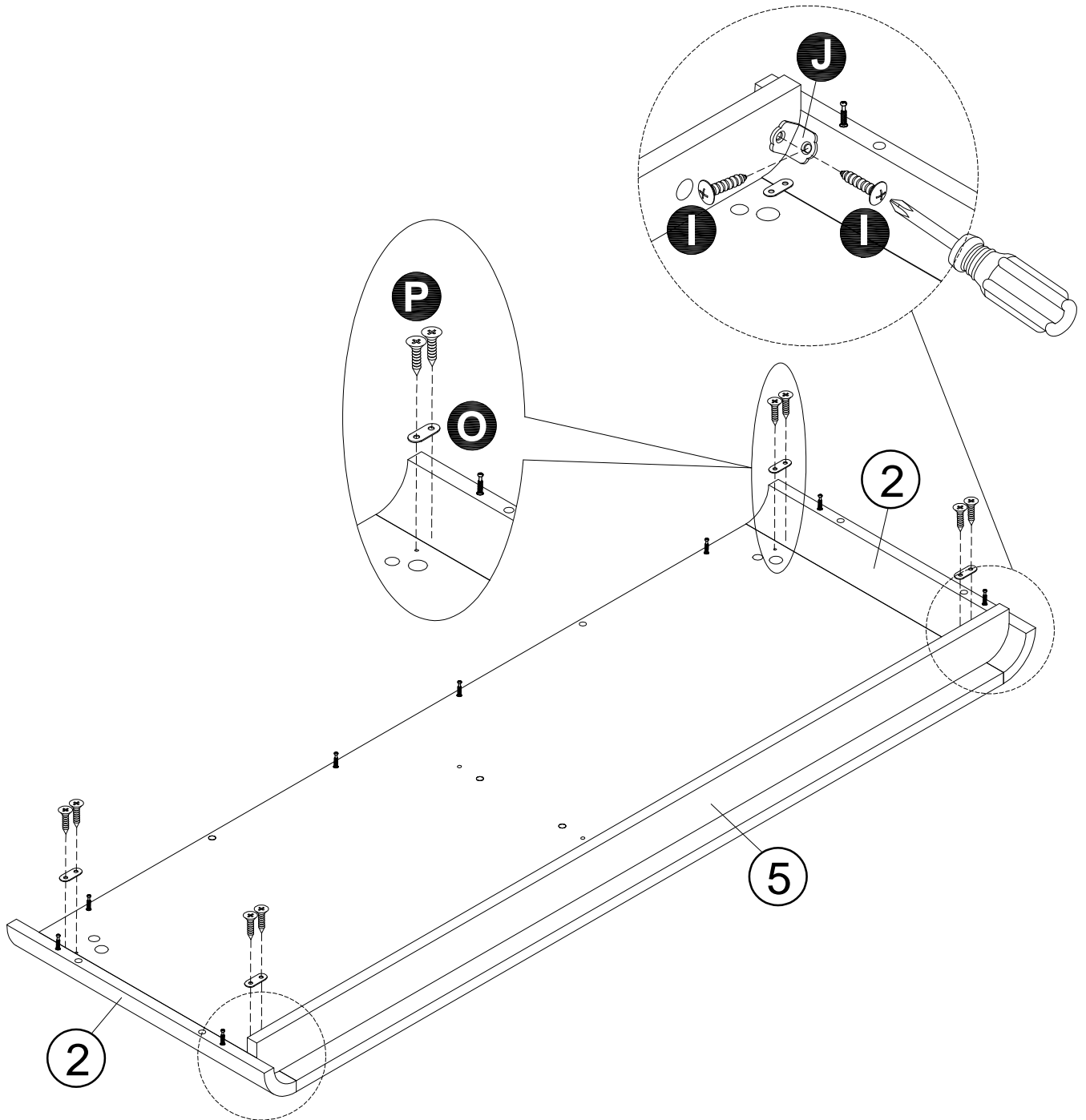
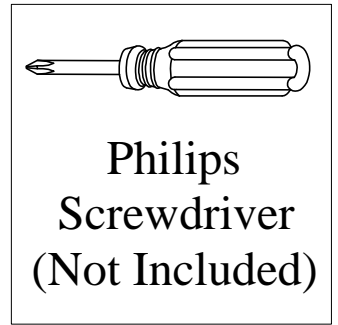
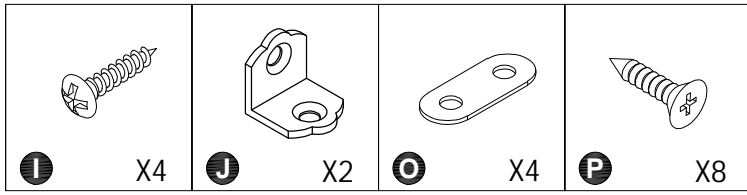
STEP 12



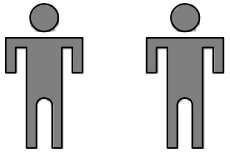
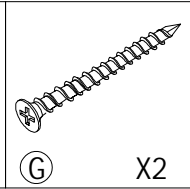
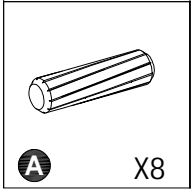
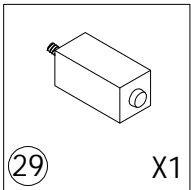
STEP 13



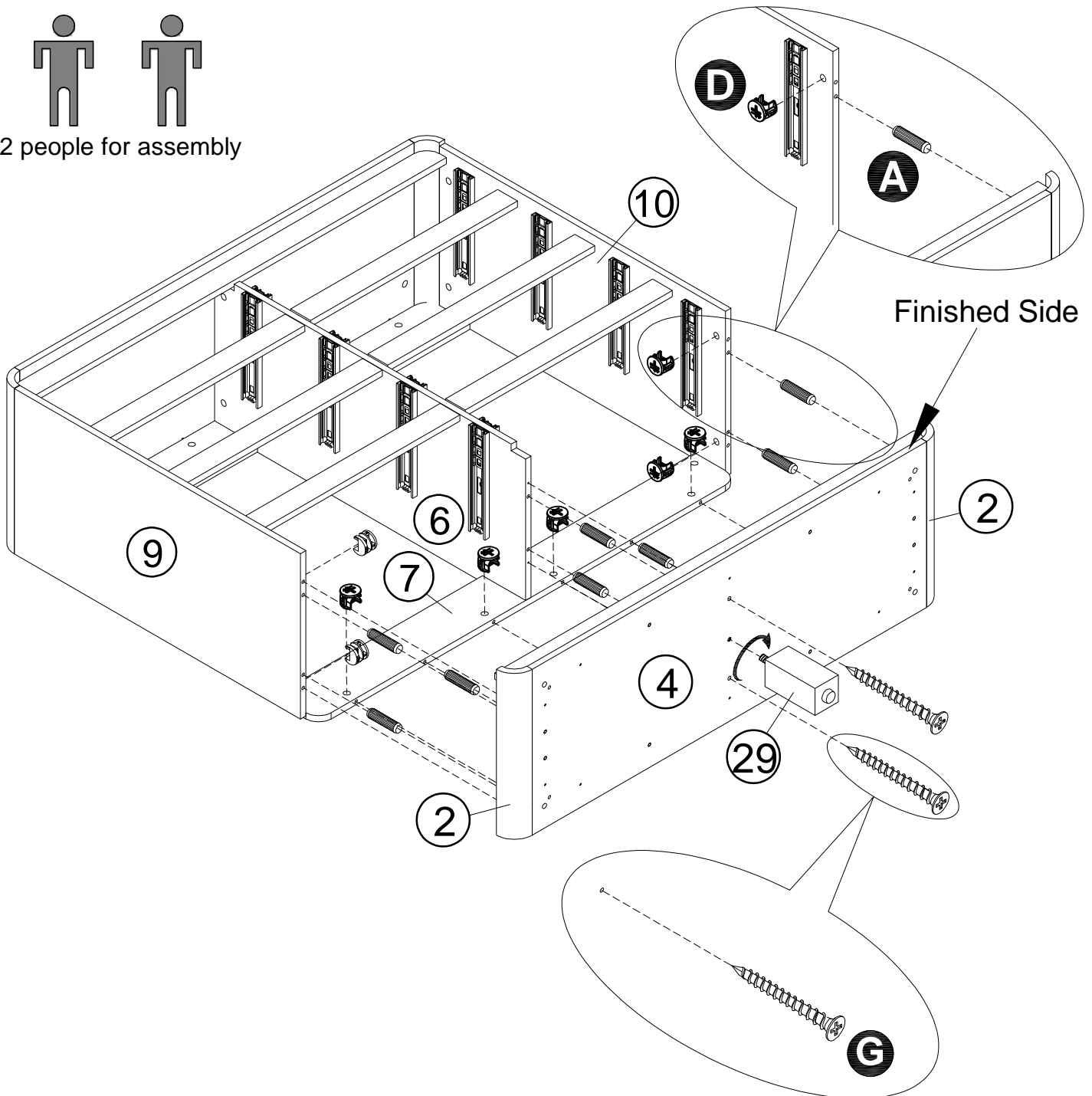
STEP 14




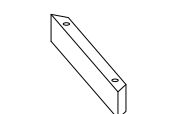
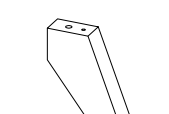
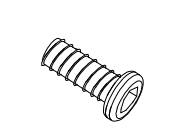
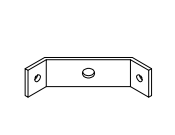
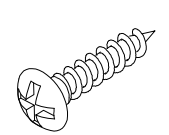
STEP 15

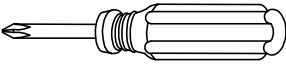


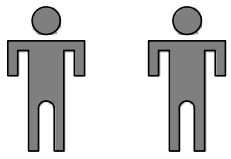
2 people for assembly



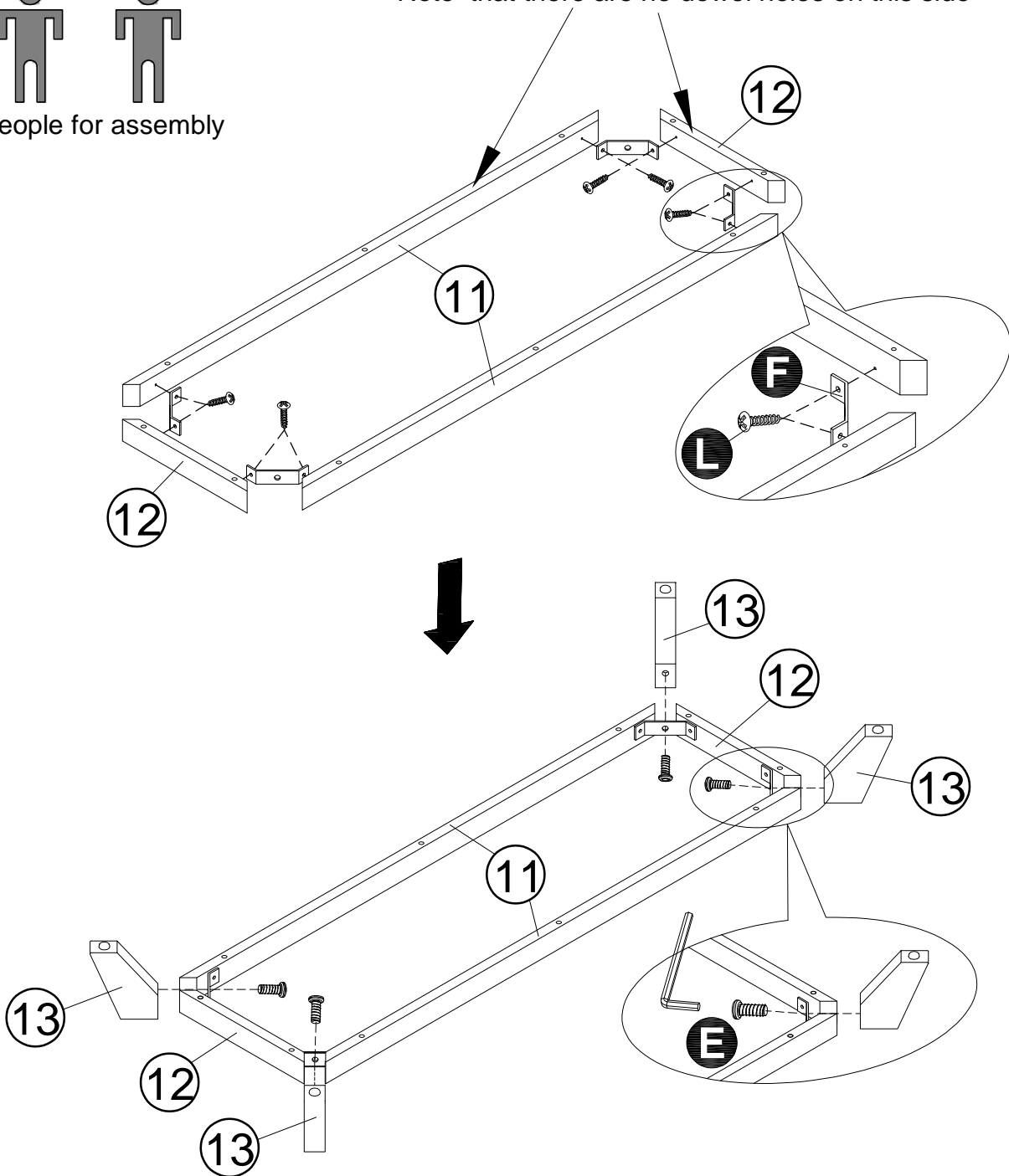
STEP 16

 ⑪ X2	 ⑫ X2	 ⑬ X4
 Ⓔ X4	 Ⓕ X4	 Ⓖ X8

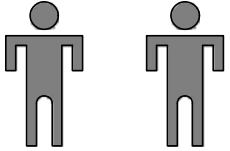
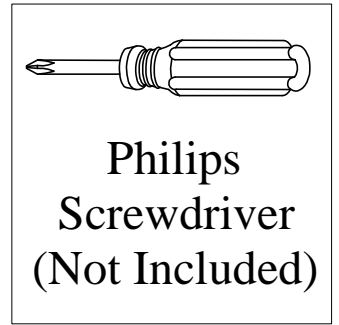
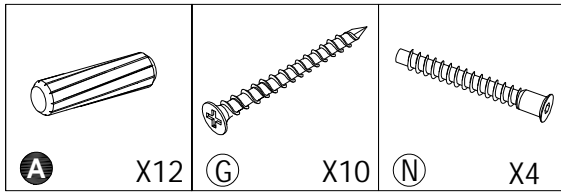

**Philips
Screwdriver
(Not Included)**


2 people for assembly

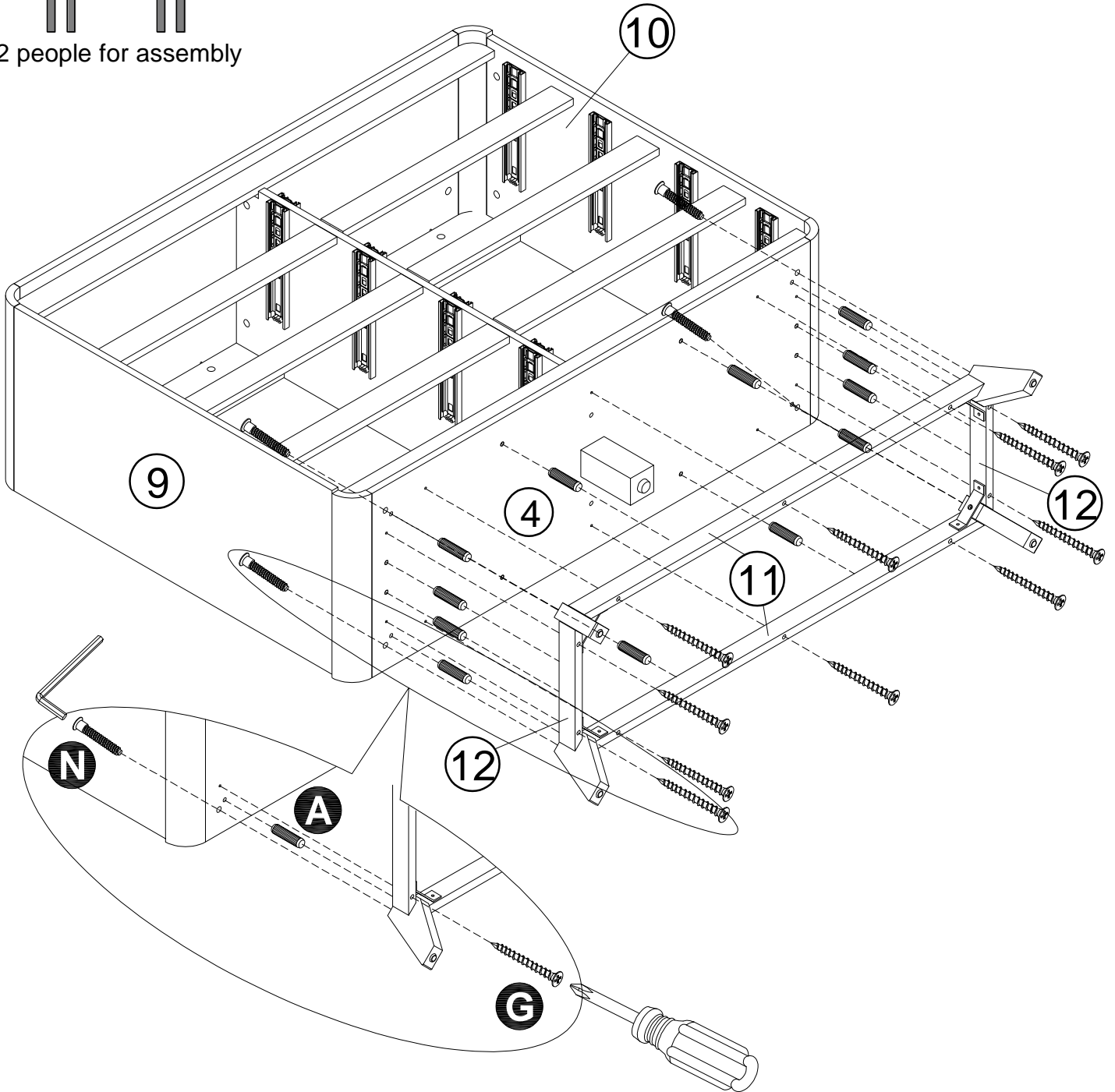
Note: that there are no dowel holes on this side



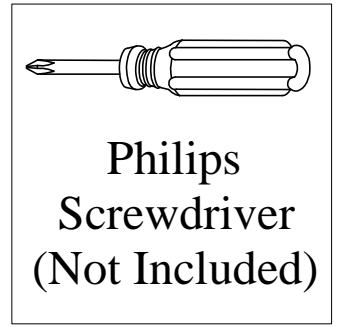
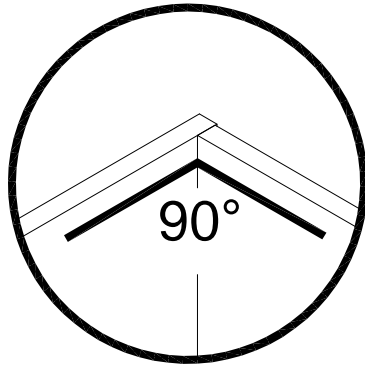
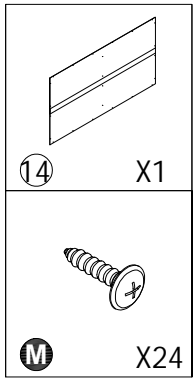
STEP 17



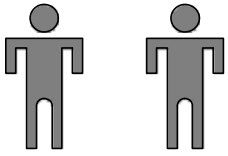
2 people for assembly



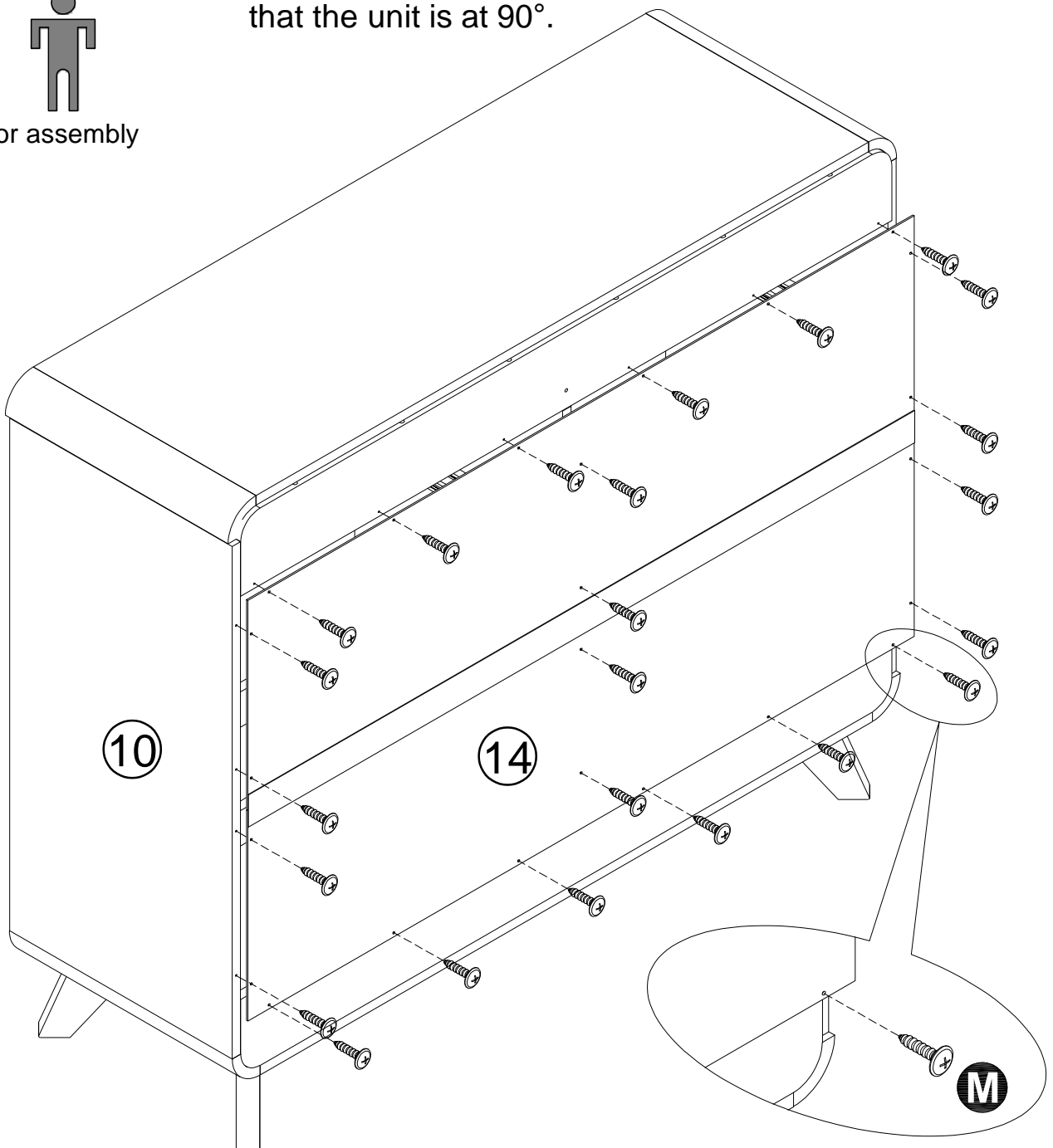
STEP 18



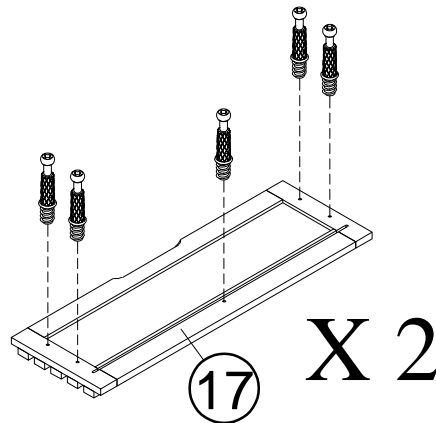
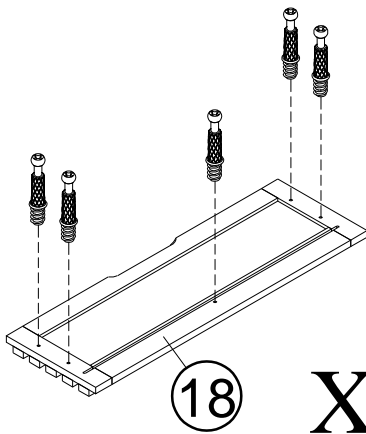
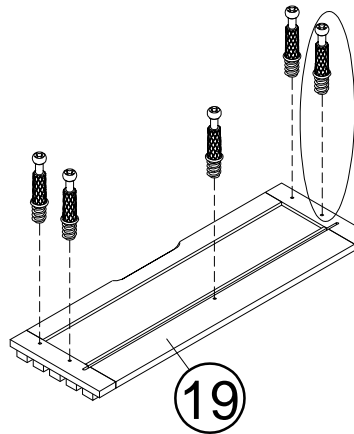
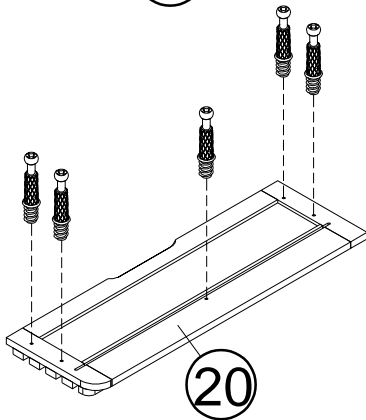
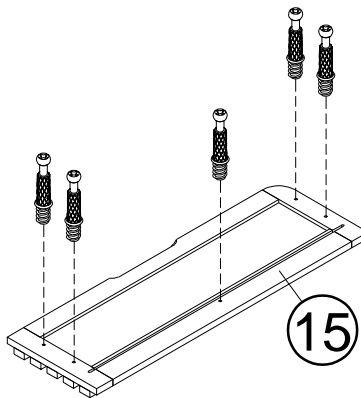
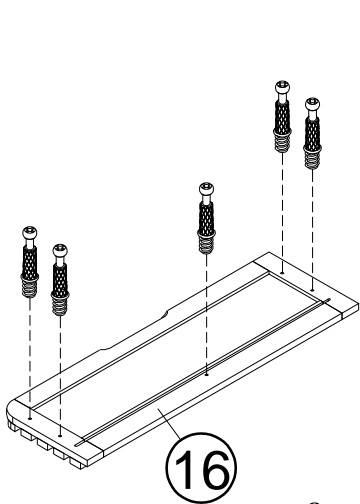
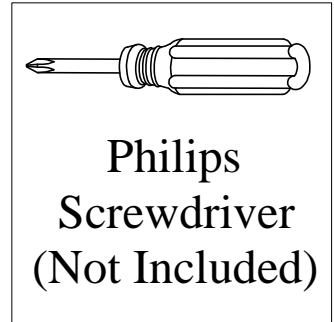
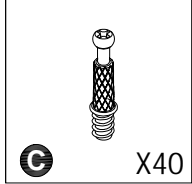
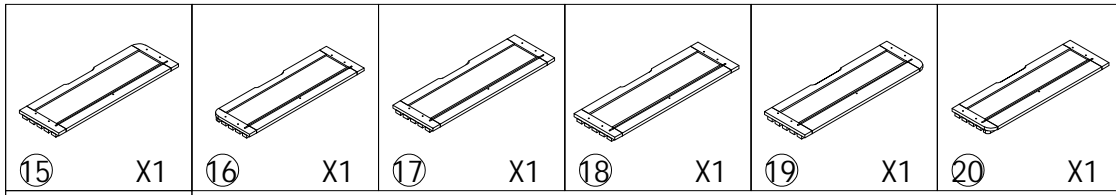
Before attaching the back panel be sure that the unit is at 90°.



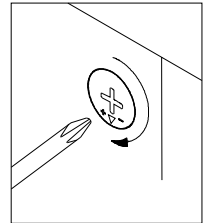
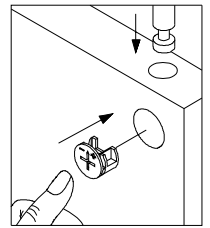
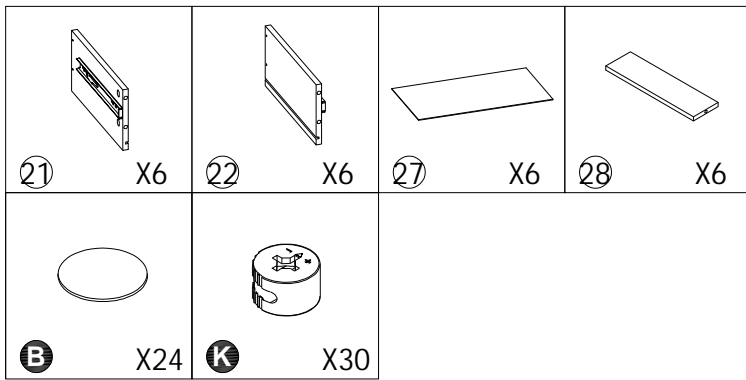
2 people for assembly



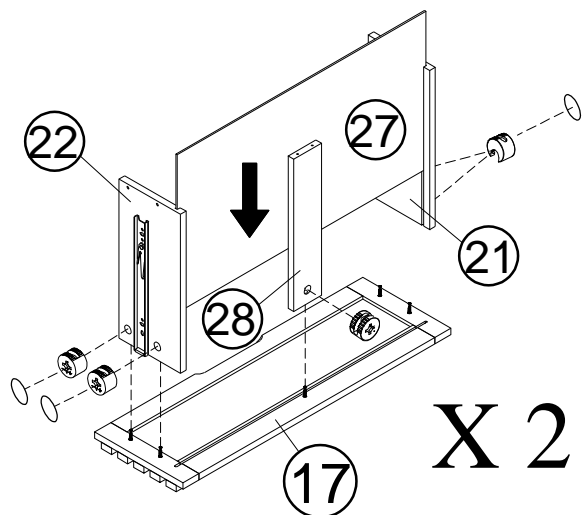
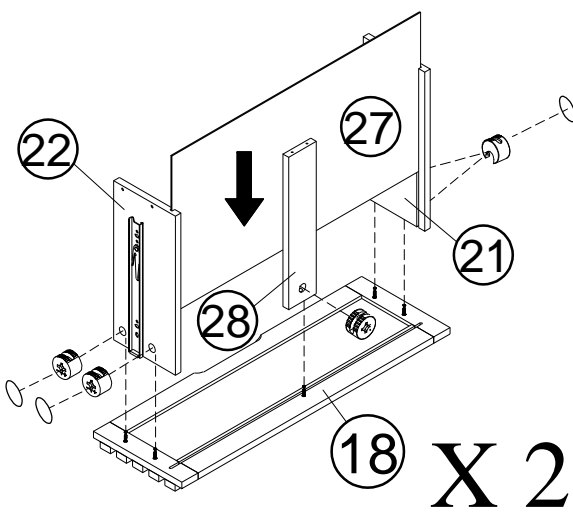
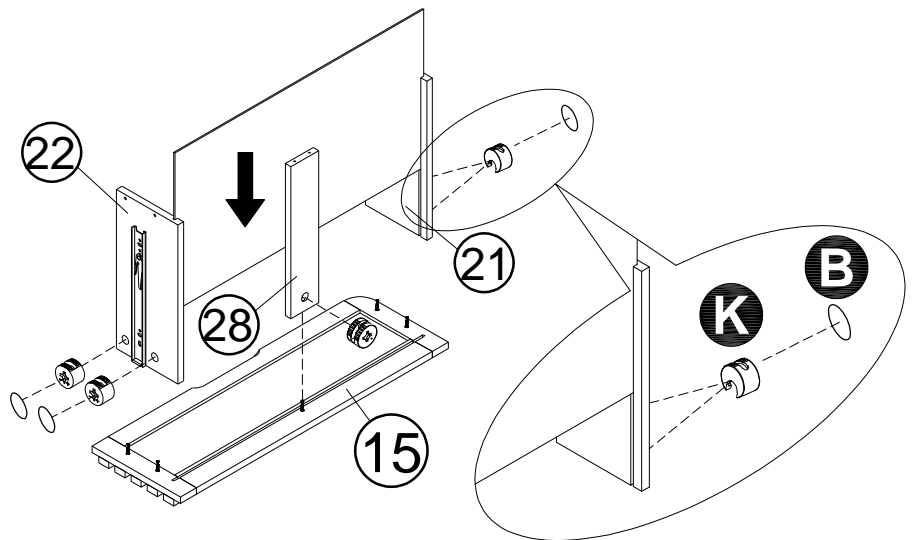
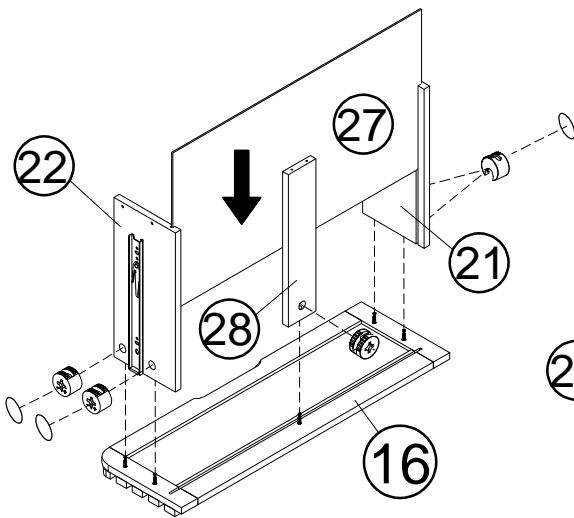
STEP 19



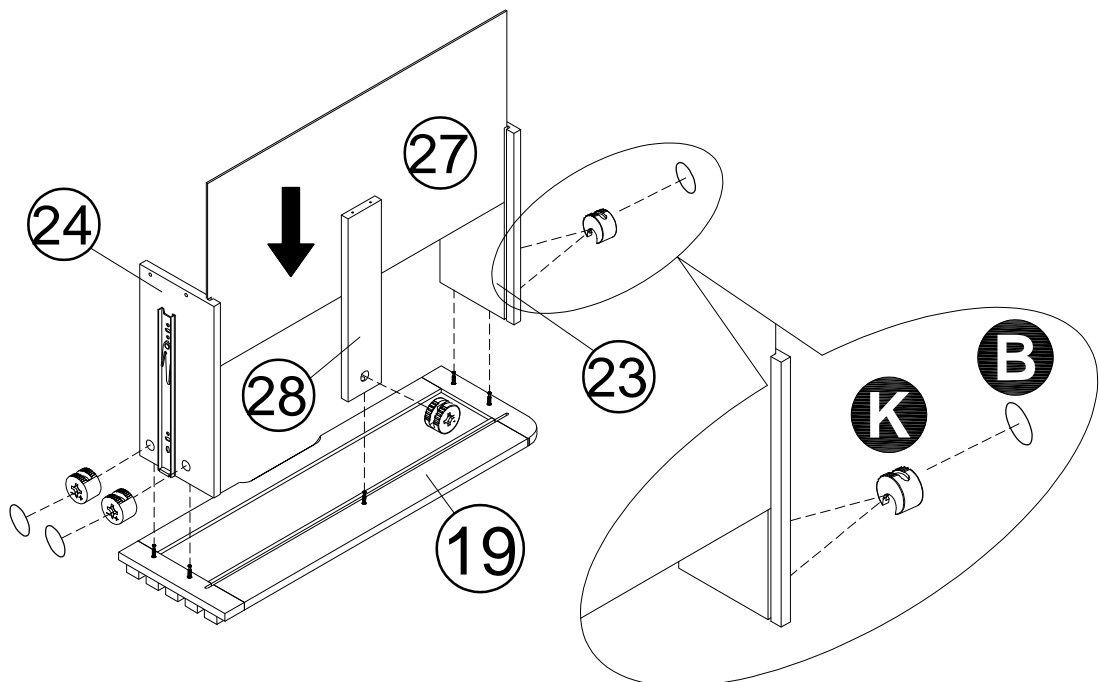
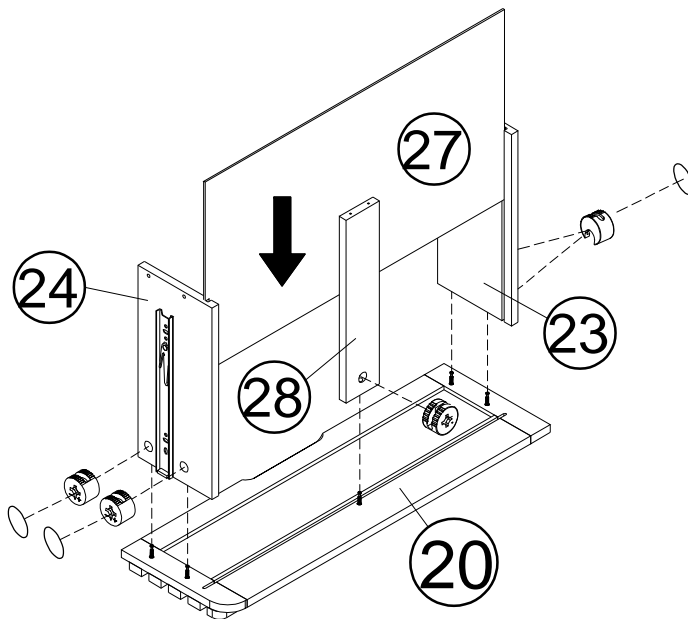
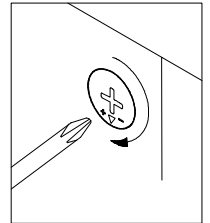
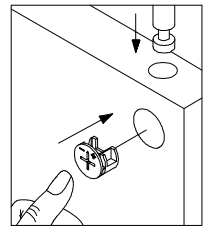
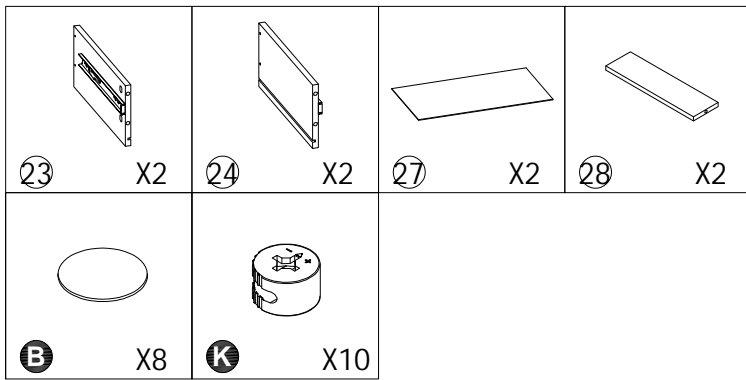
STEP 20



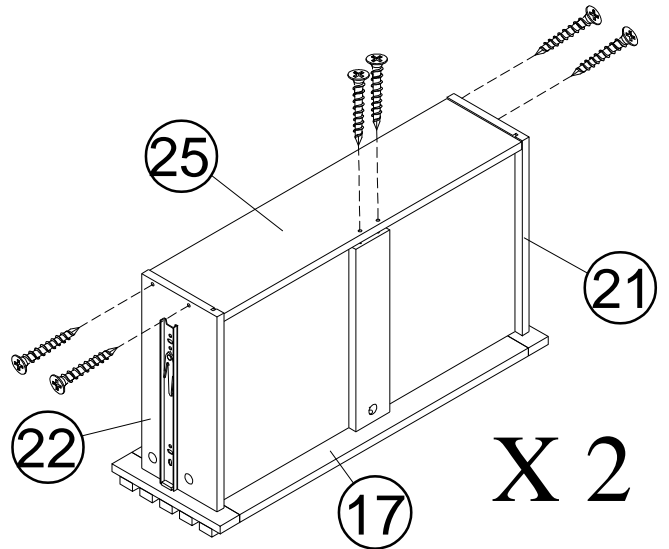
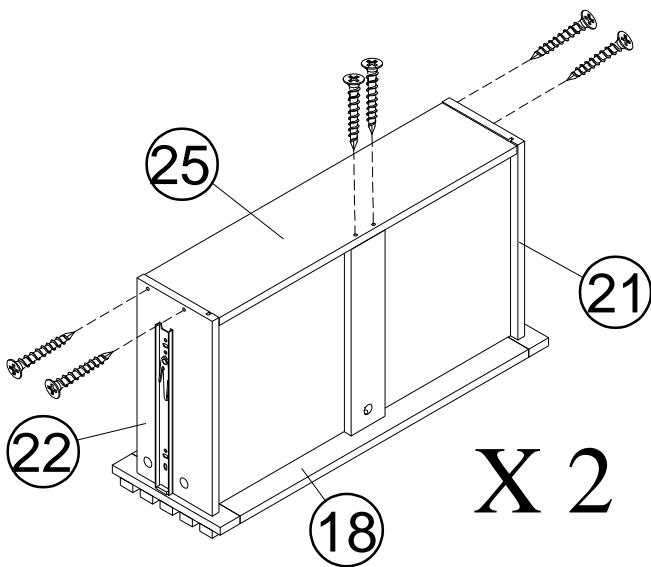
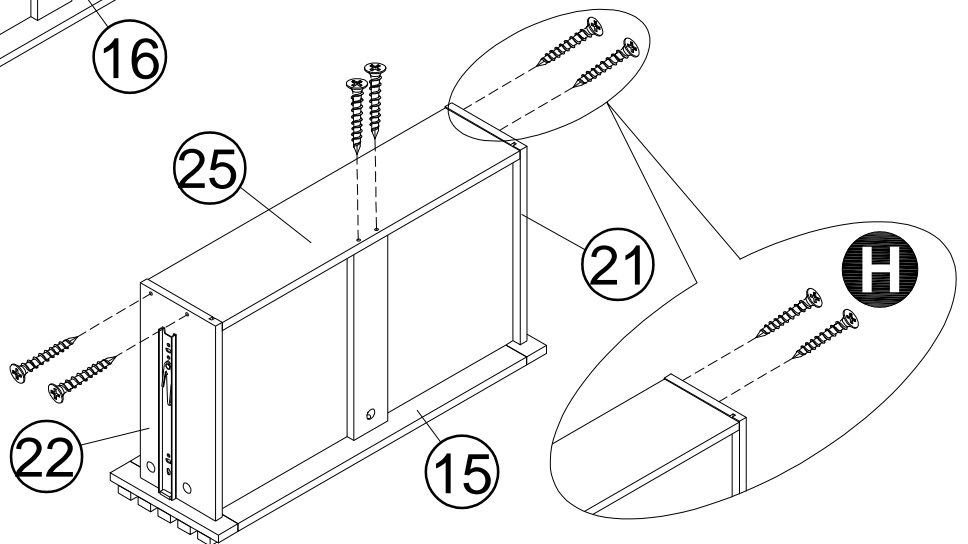
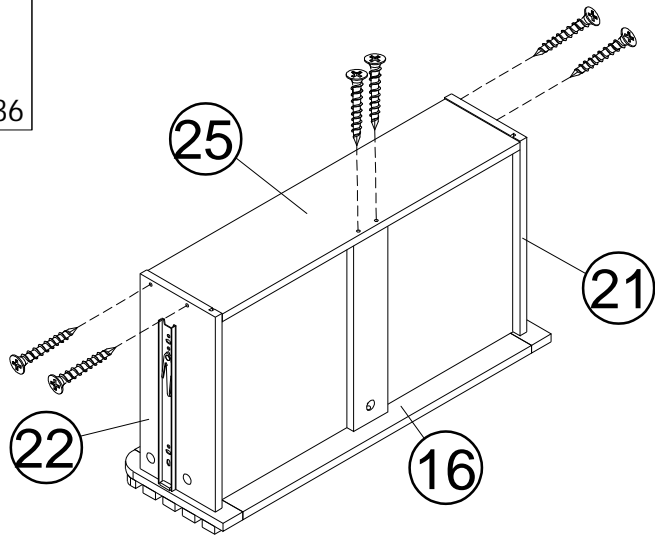
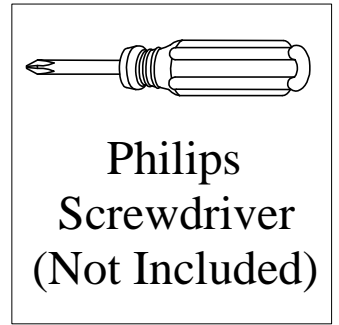
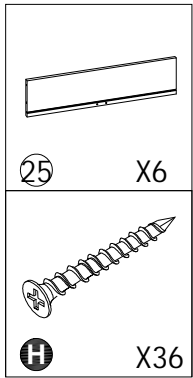
Note: Parts labeled K and D are similar in appearance; please take care to distinguish between them. Part K is slightly shorter than Part D



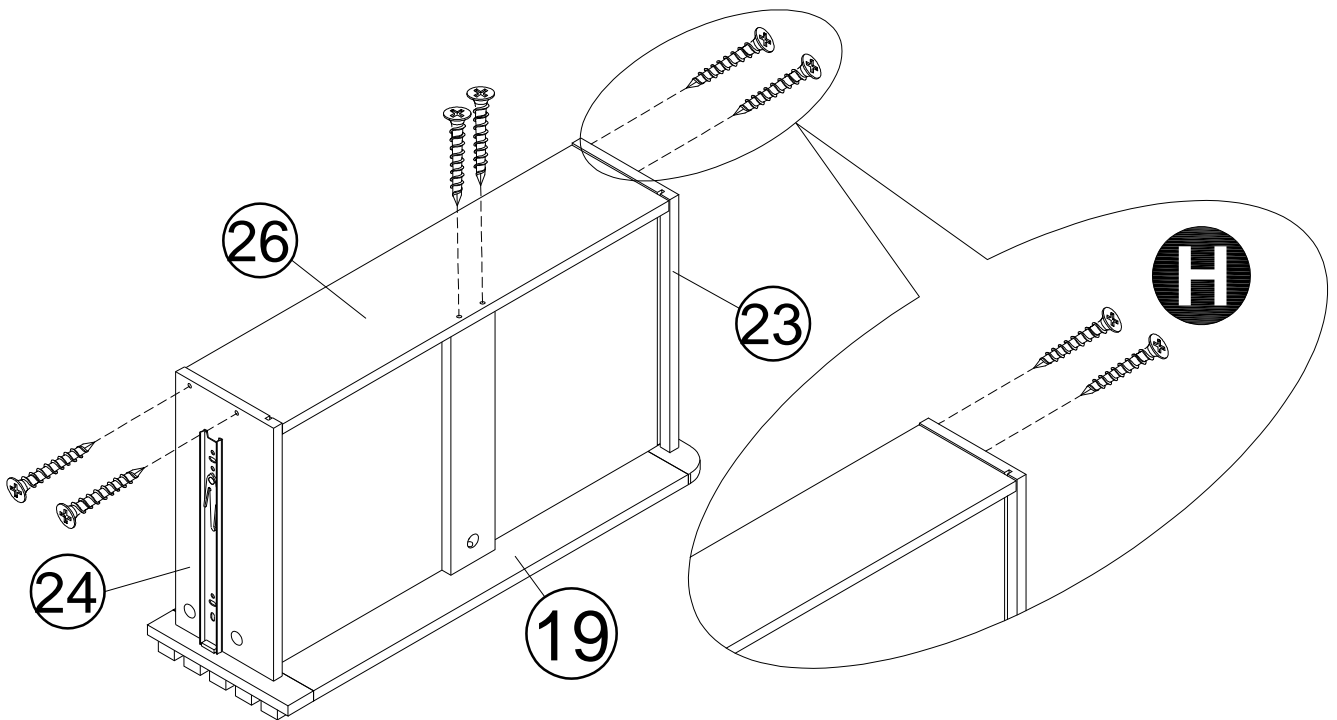
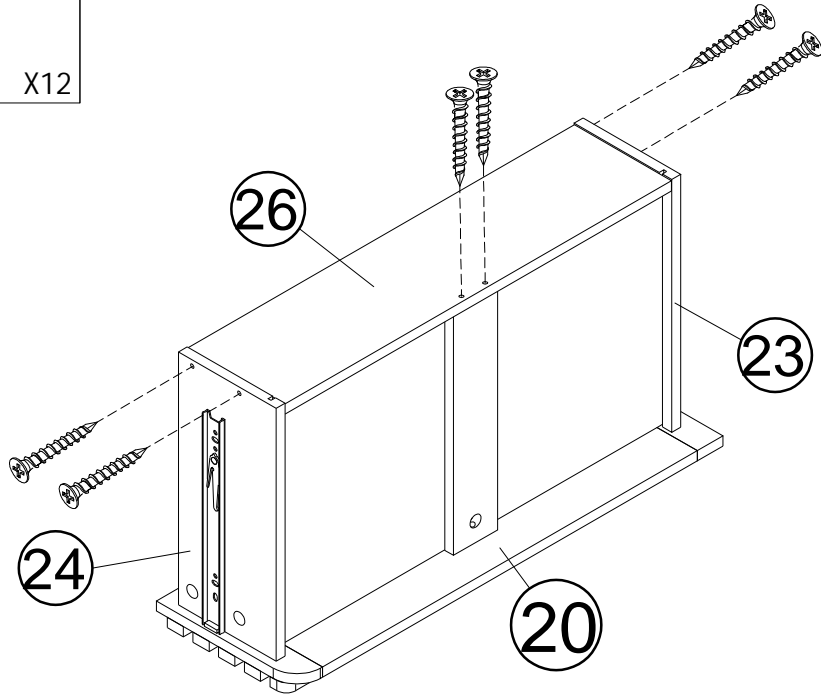
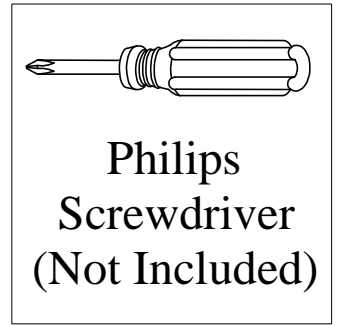
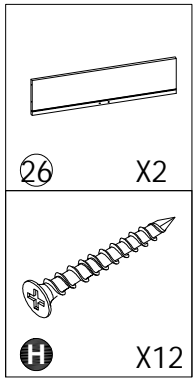
STEP 21



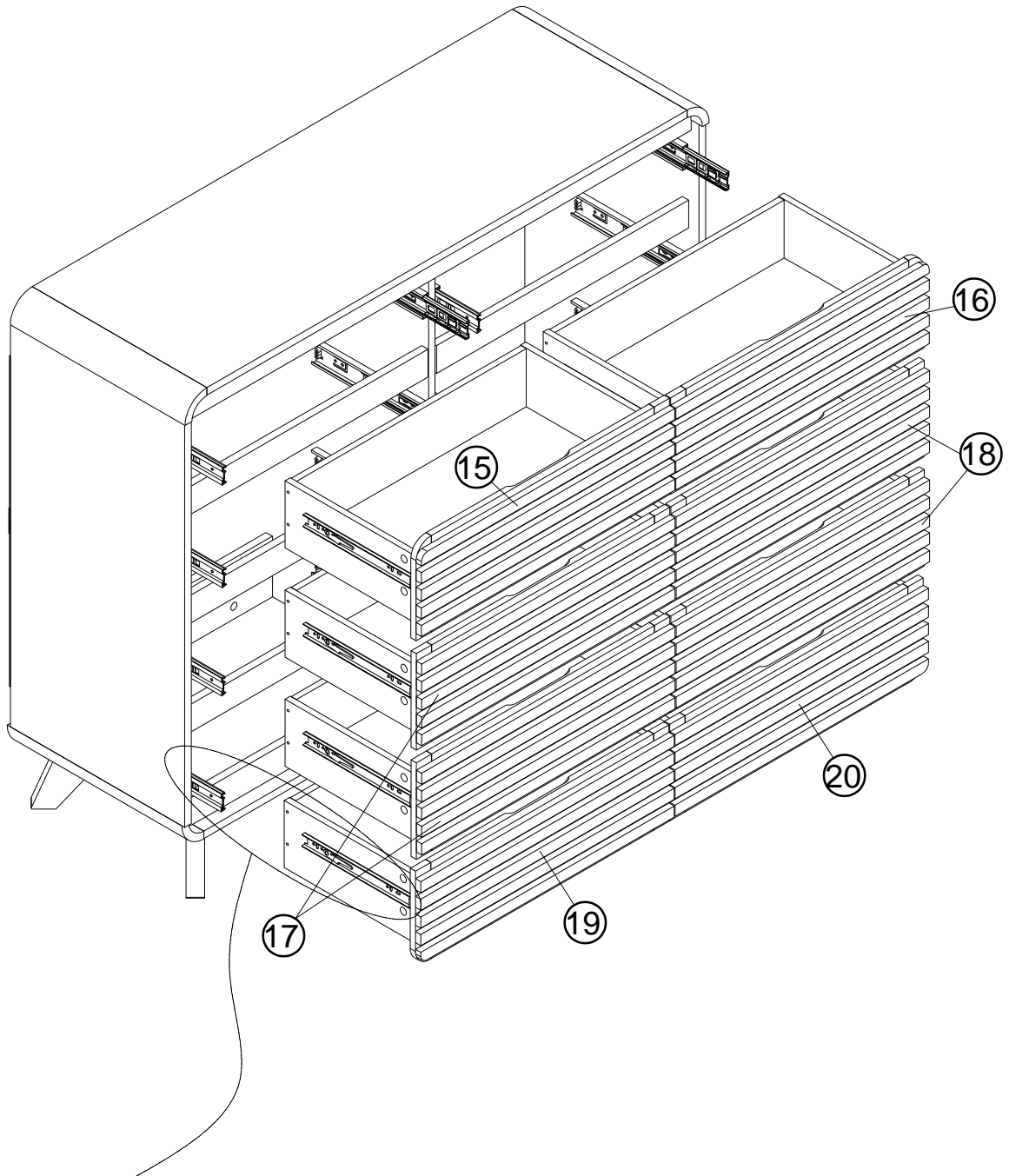
STEP 22



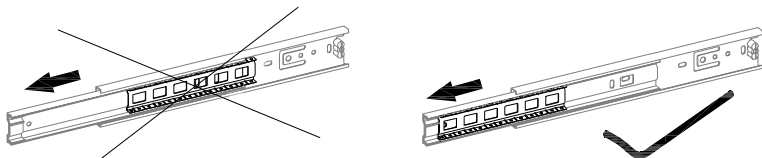
STEP 23



STEP 24

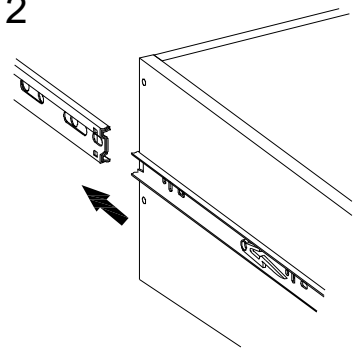


1

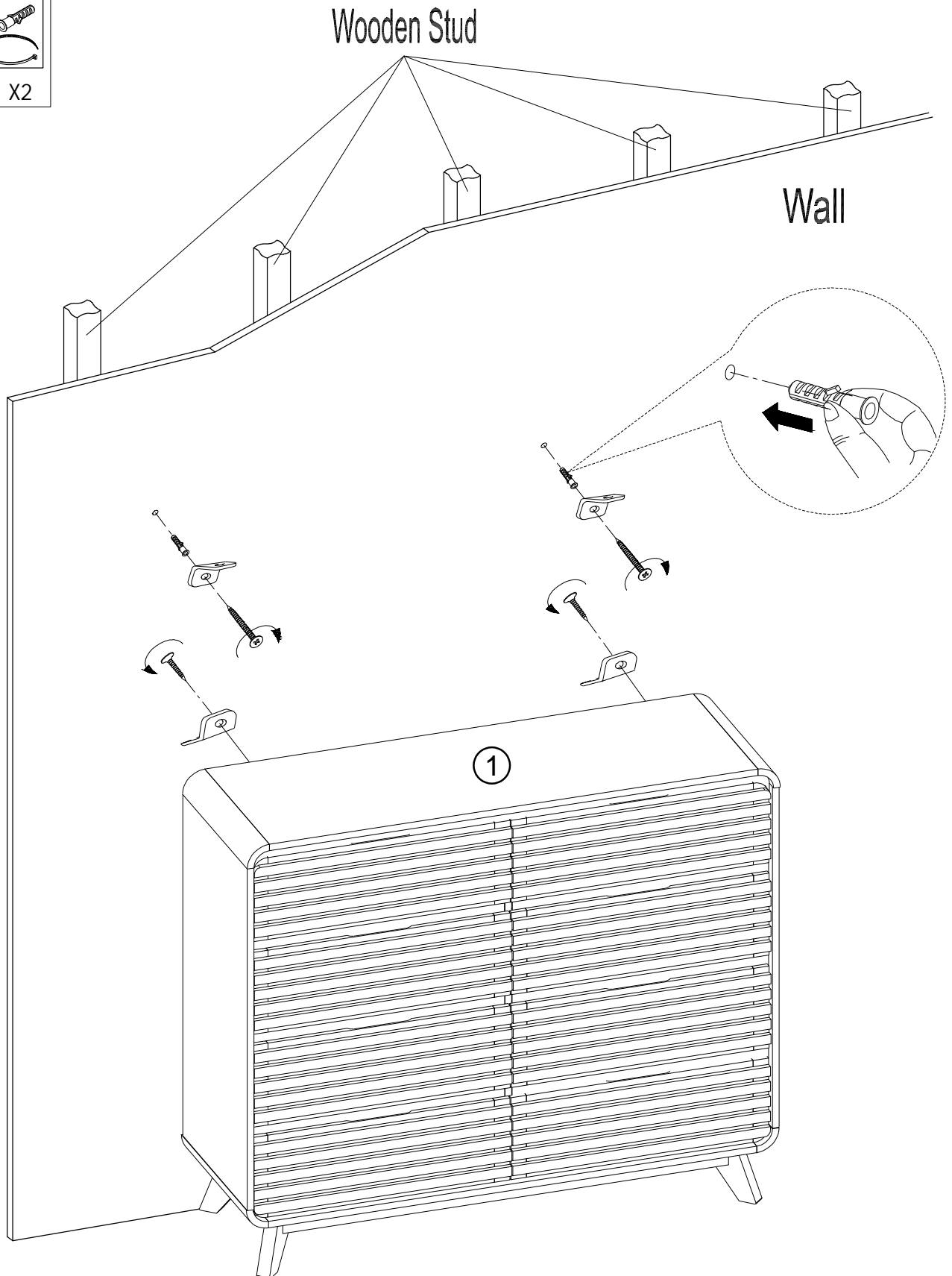
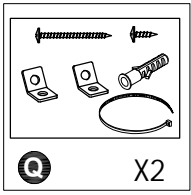


NOTE: Pull the inner ball bearing slides on each side all the way out till it stops.(may be slightly greasy).

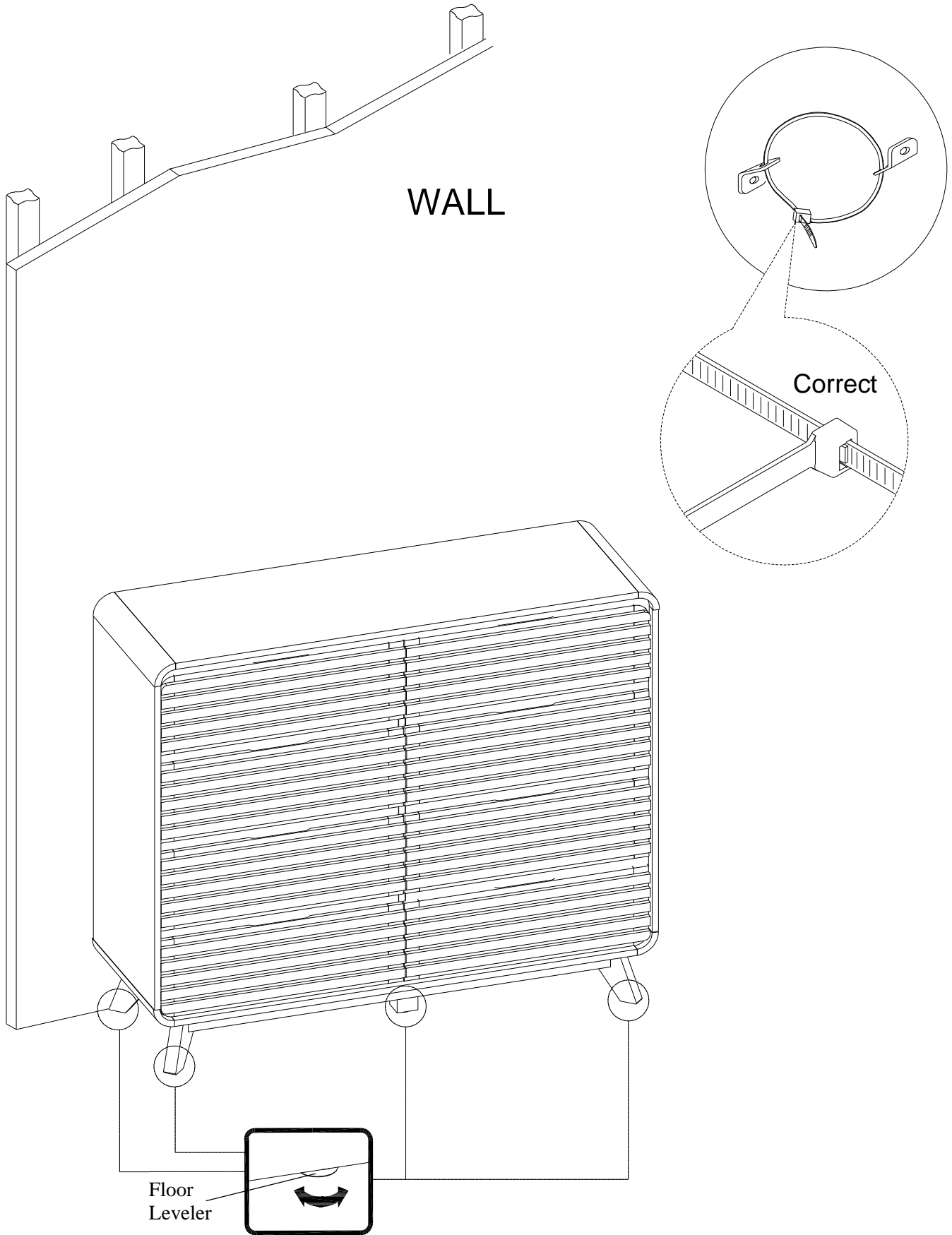
2



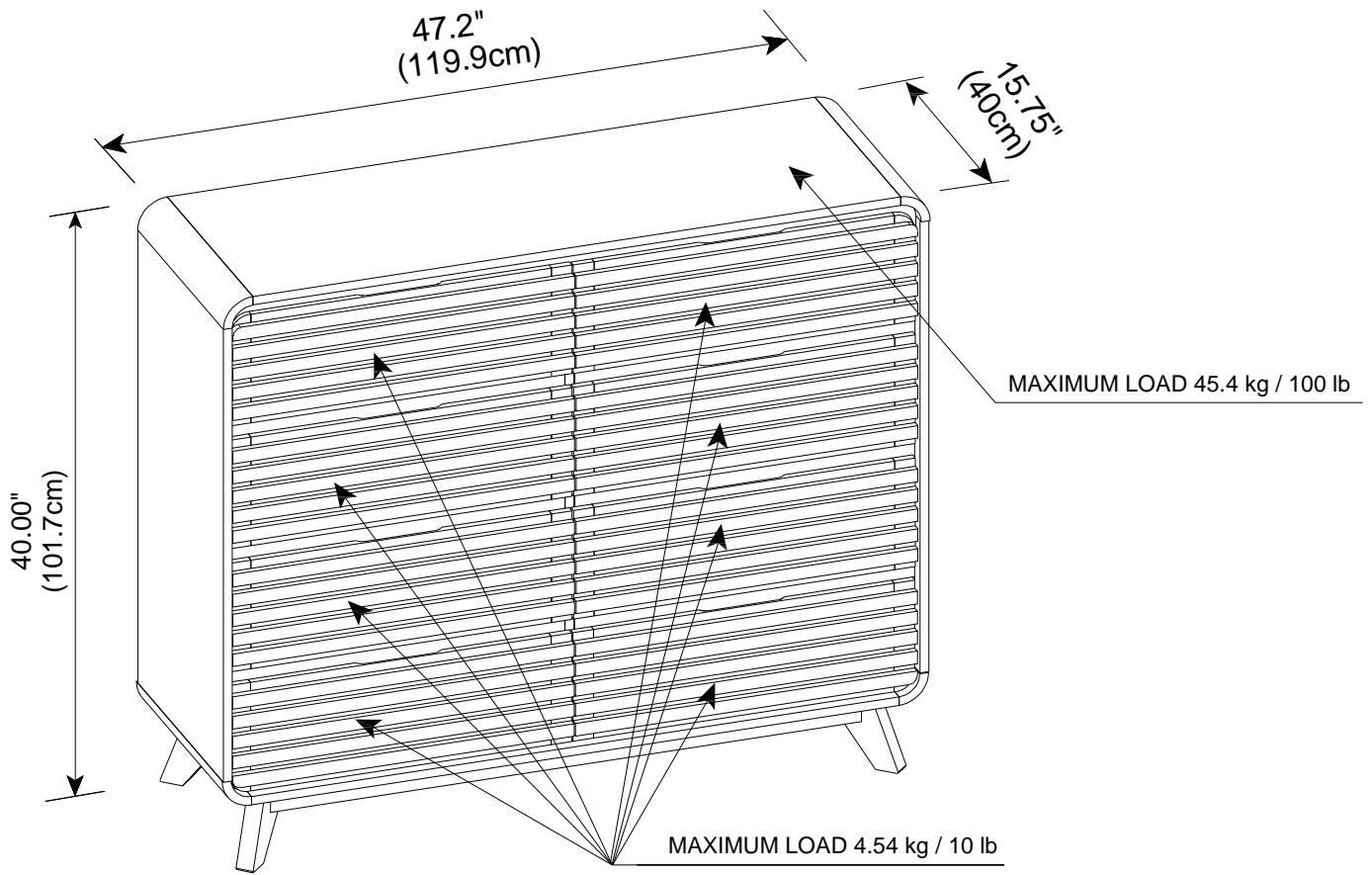
STEP 25



STEP 26



STEP 27



SPECIFICATIONS

ASSEMBLED DIMENSIONS(W x D x H)

47.20" x 15.75 " x 40.00"

119.9 x 40 x 101.7 cm

MAXIMUM WEIGHT CAPACITY

Top: 100 lb