

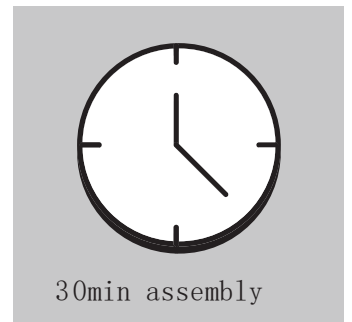
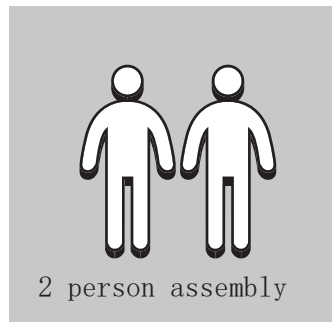
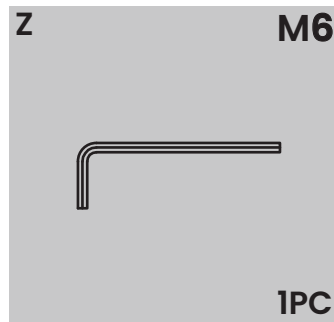
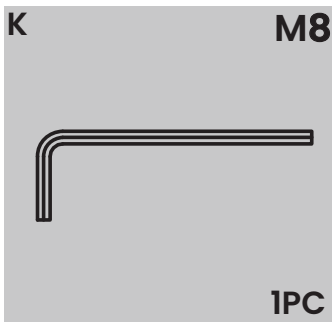
INSTRUCTION MANUAL

PATIO UMBRELLA

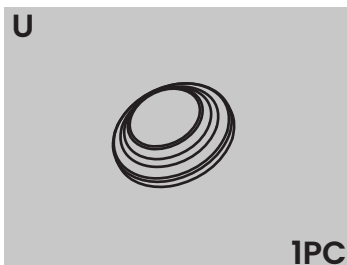
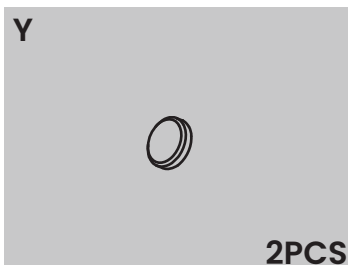
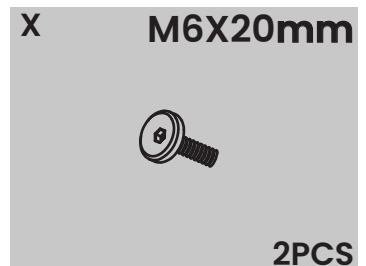
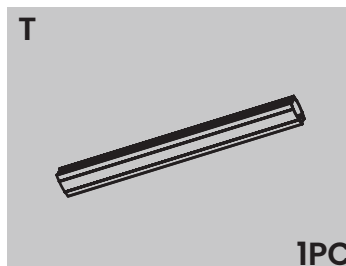
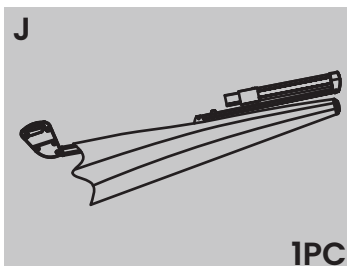
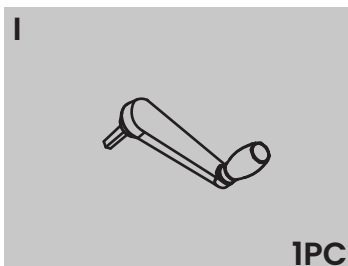
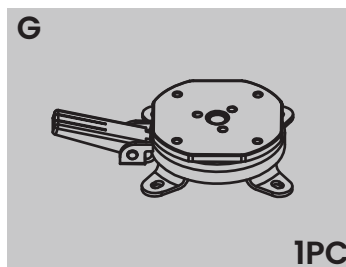
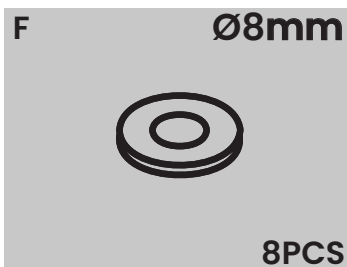
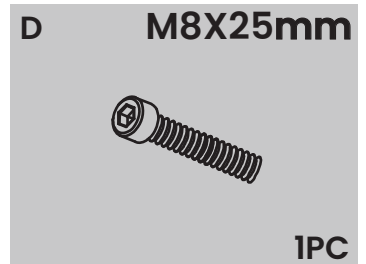
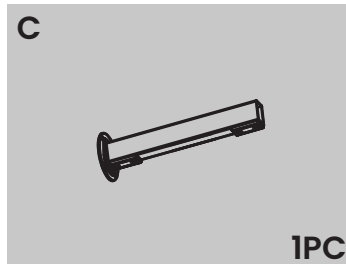
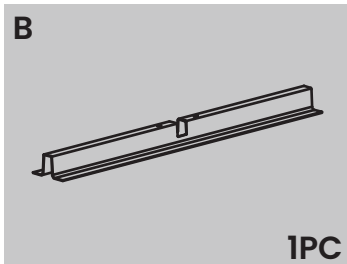
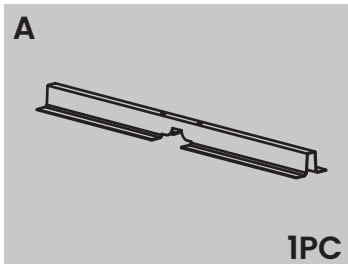
BEFORE INSTALLATION

- Please list all parts as below first to check if any part is missing and make assembly easier.
- Do be careful that some parts are heavy and sharp.
- Please follow the assembly steps to install the product, if you find spare parts left, don't be worried, the left spare parts are prepared for bad ones if occurred.
- Once you hand tighten all of your bolts into place, we are going to use our wrench to fully tighten into place.
- Please do not exceed the bearing limitations of the product.
- Reconfirm that all bolts, screws, and knobs are secure every 90 days.
Please retain these instructions for future reference.

TOOLS REQUIRED



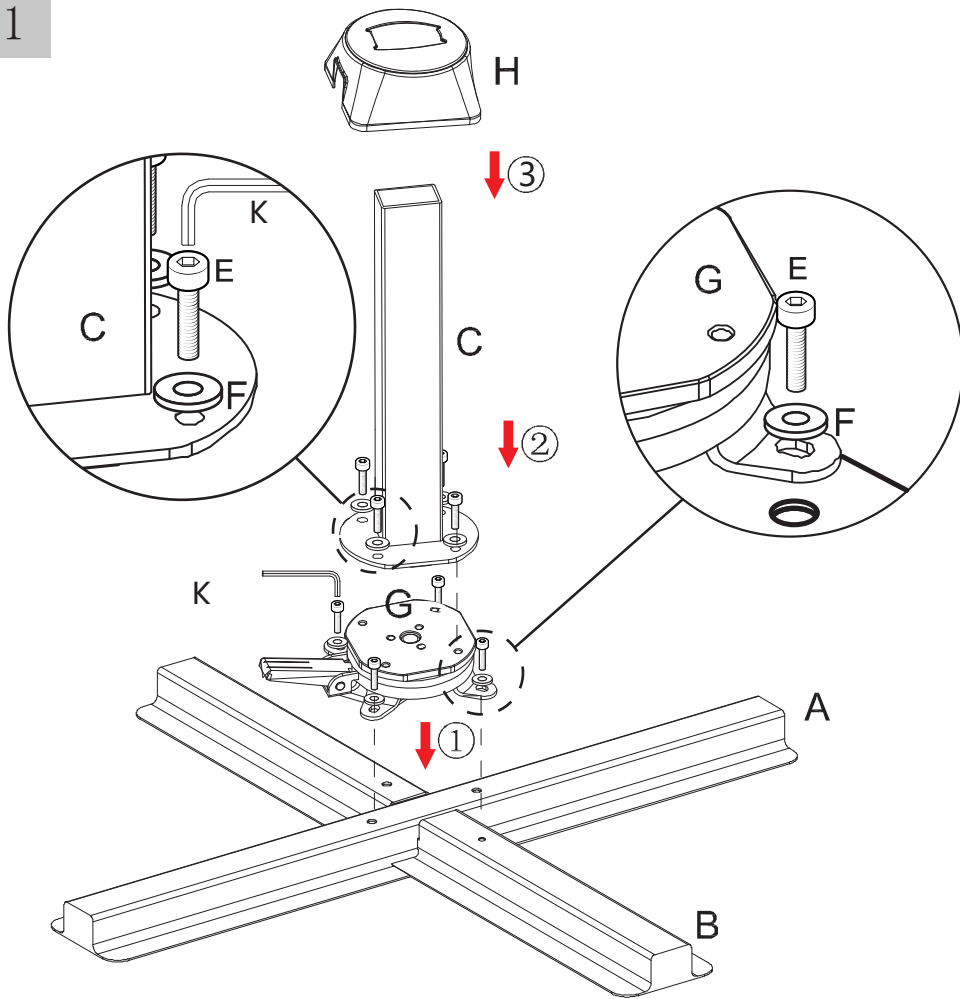
PARTS



ASSEMBLY

PARTS REQUIRED

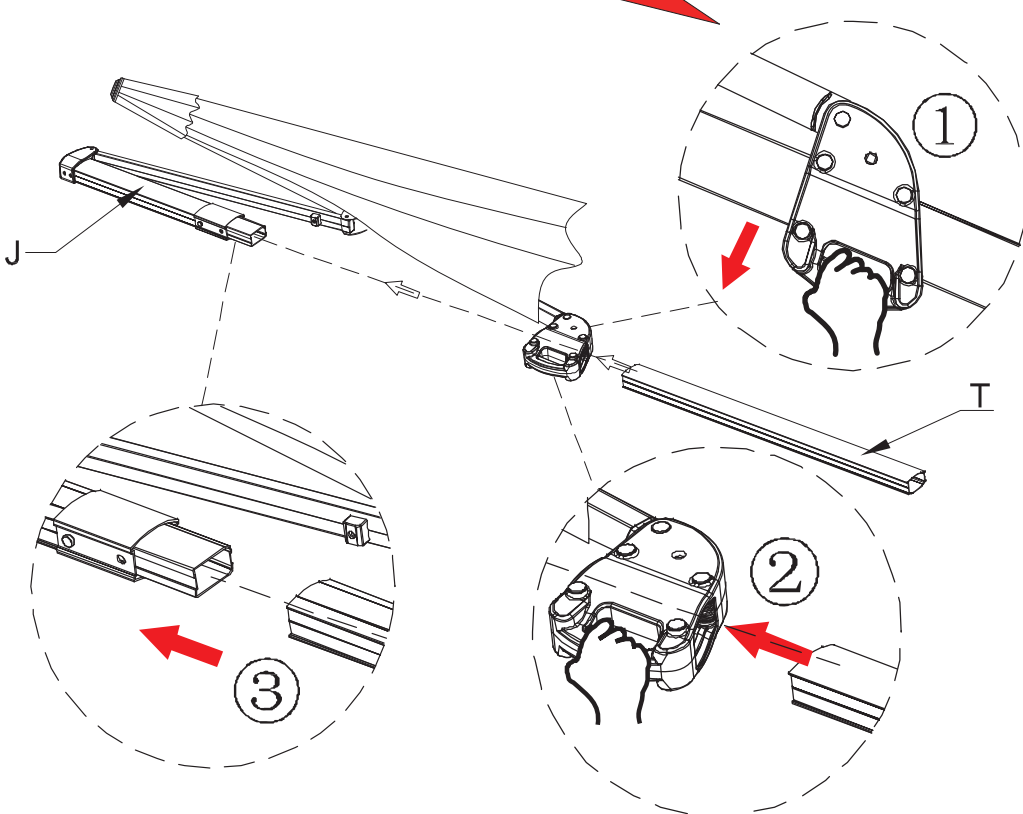
1



A		1PC	B		1PC
C		1PC	E		8PCS
F		8PCS	G		1PC
H		1PC			

2

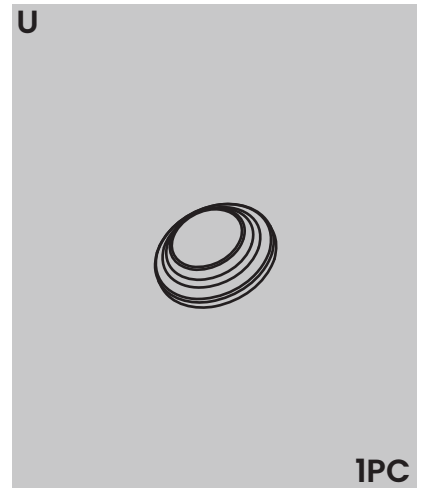
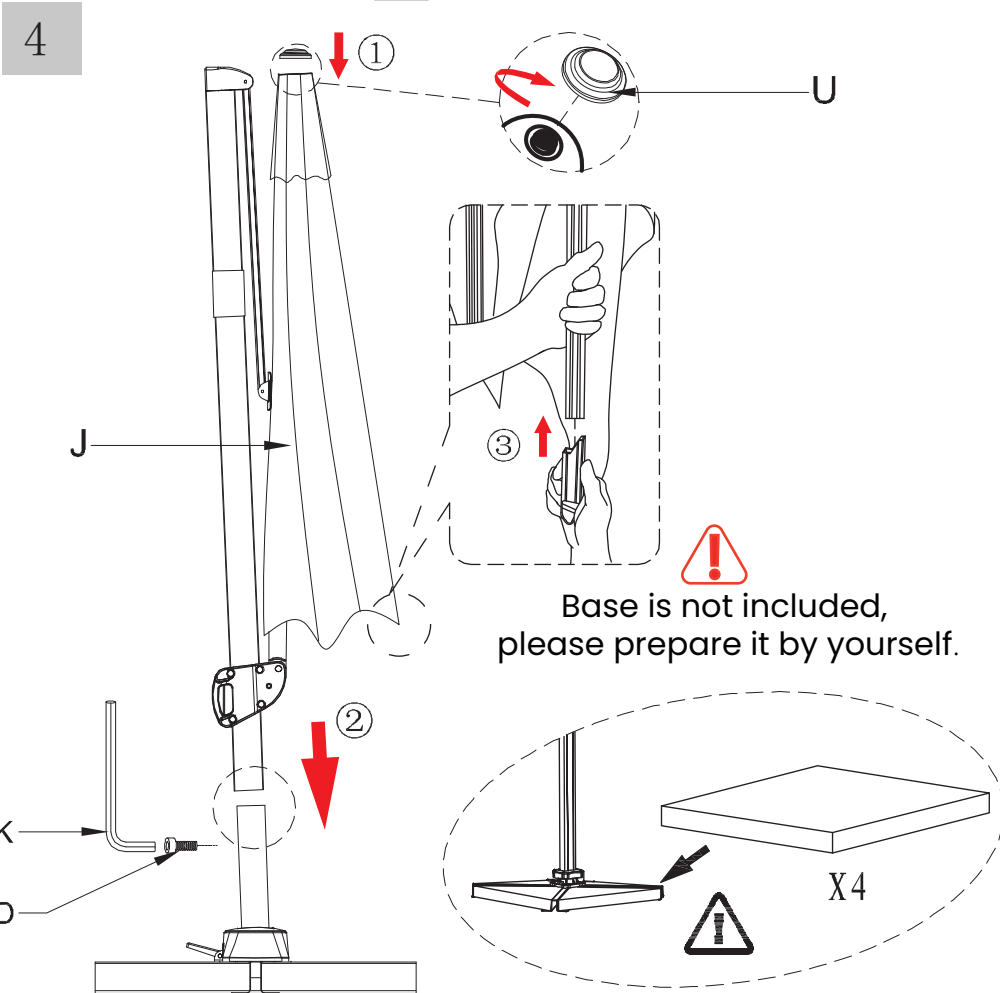
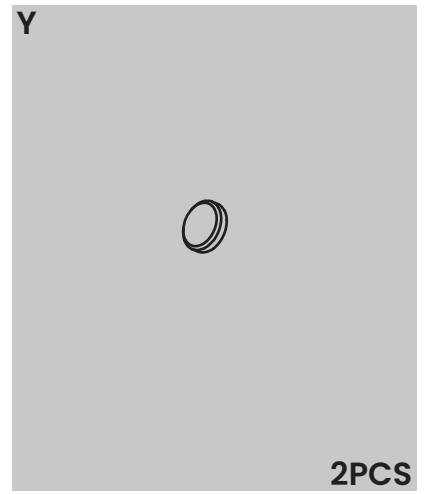
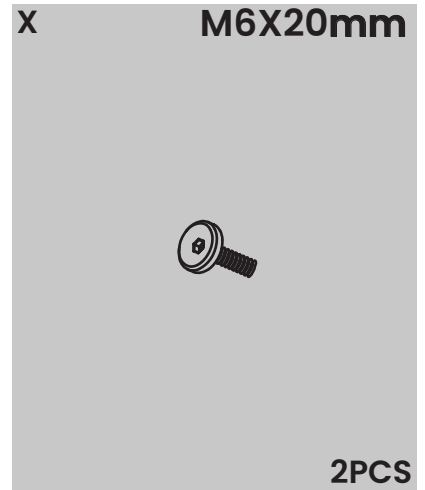
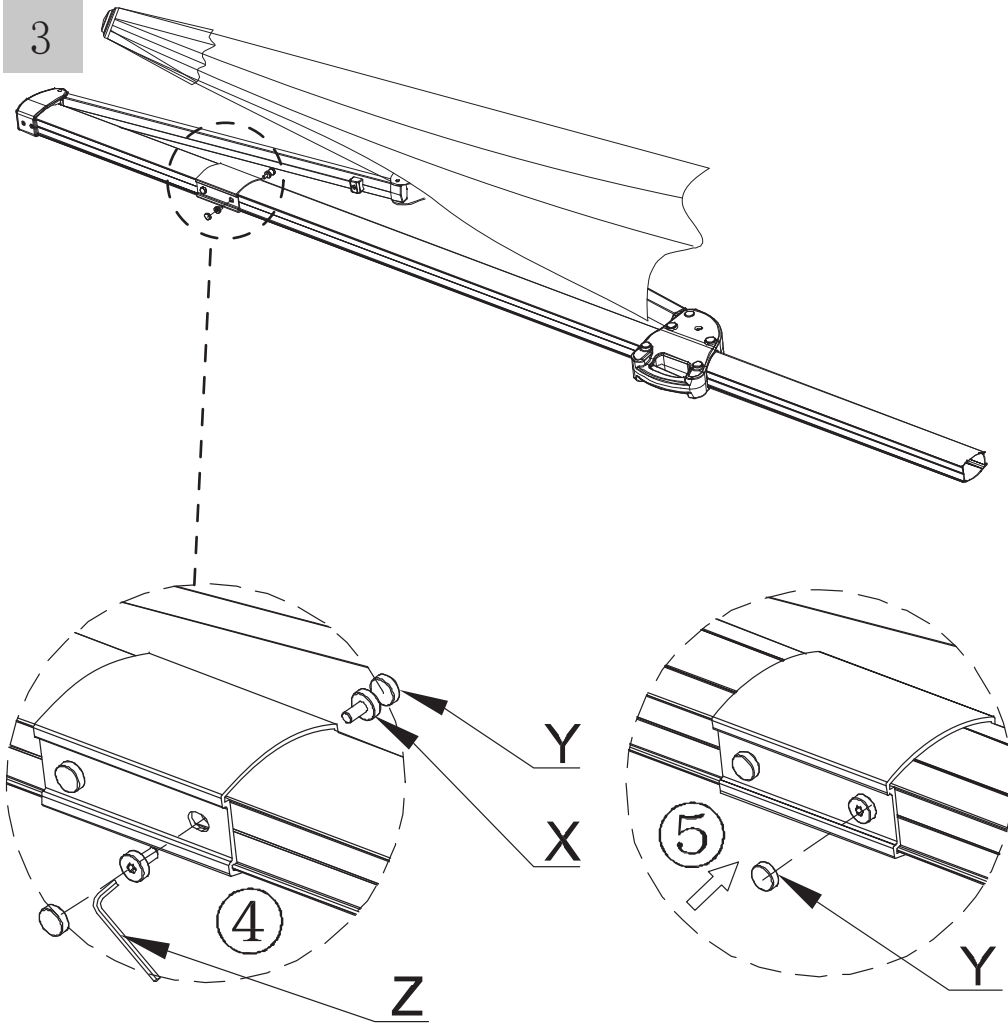
⚠ ATTENTION
Before inserting the "T" part through the joint, squeeze the handle by hand to make the "T" part easily pass.



J		1PC
T		1PC

ASSEMBLY

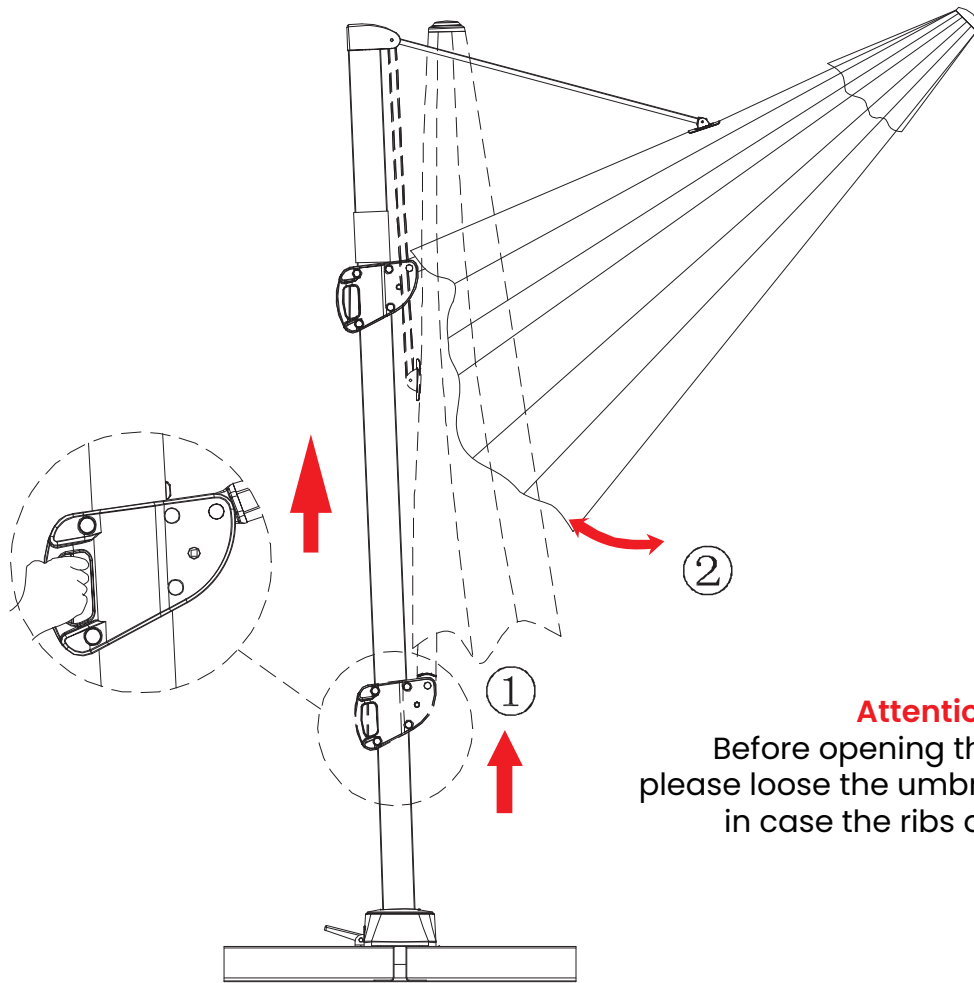
PARTS REQUIRED



Base is not included,
please prepare it by yourself.

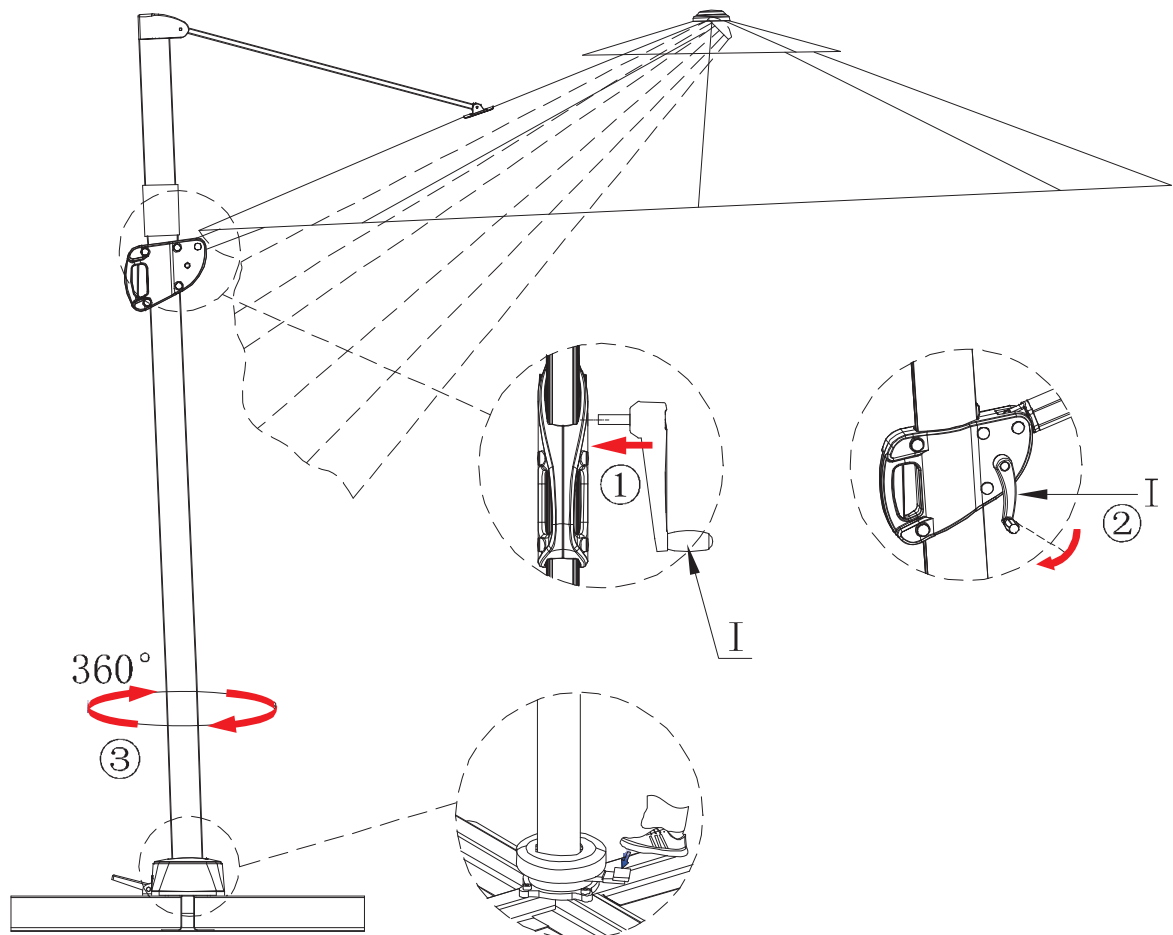
OPERATION

5



Attention!
Before opening the umbrella, please loose the umbrella top by hand in case the ribs are crossed

6



OPERATION

7

