

L-Shaped Conversation Sofa Set




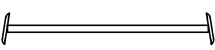
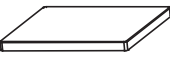


BSOT004









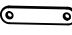


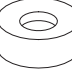


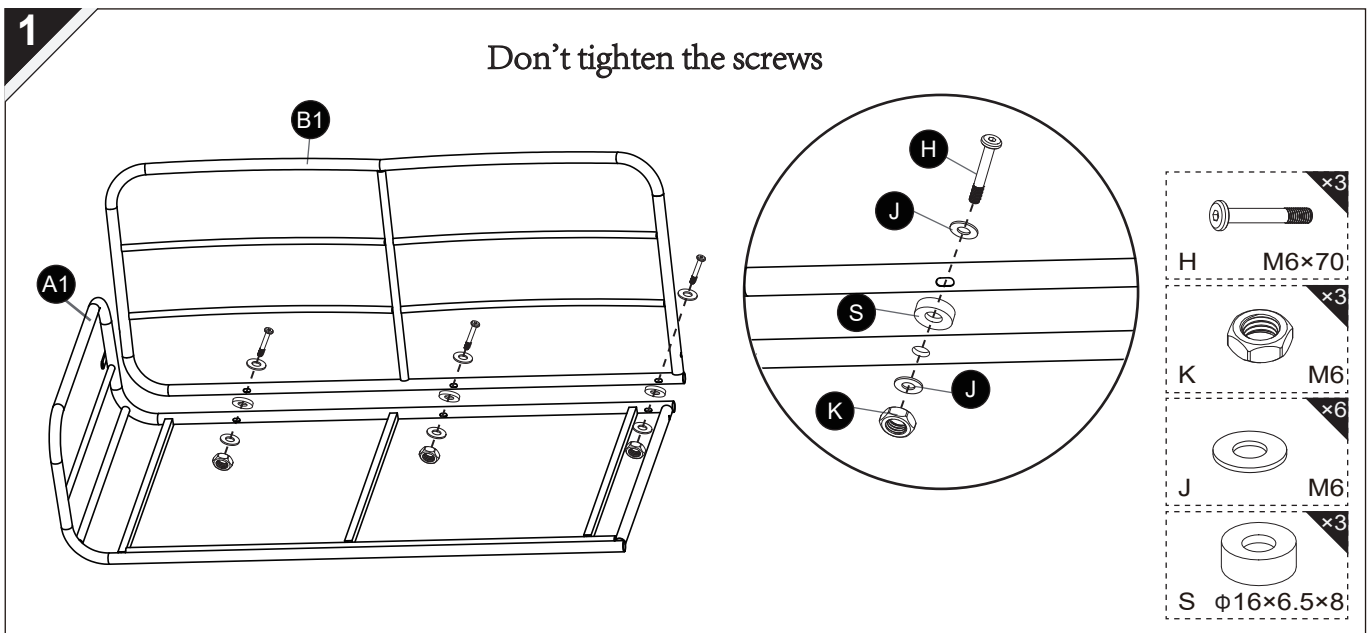
Attention:

- 1. Please start by loosely attaching all the screws; do not tighten them yet. Once the assembly is fully complete, tighten all screws at the end.**
- 2. Carefully review the manual and make sure you have received all the necessary parts.**
- 3. If any parts are missing, please let us know the part letter(s) you need.**
- 4. If any parts are damaged, please send clear photos of the damage. We will review the issue and provide the best possible solution promptly.**

ASSEMBLY INSTRUCTION FOR LOVESEAT

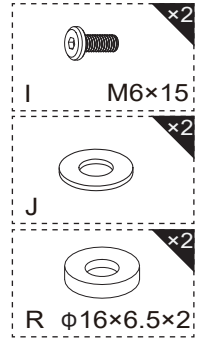
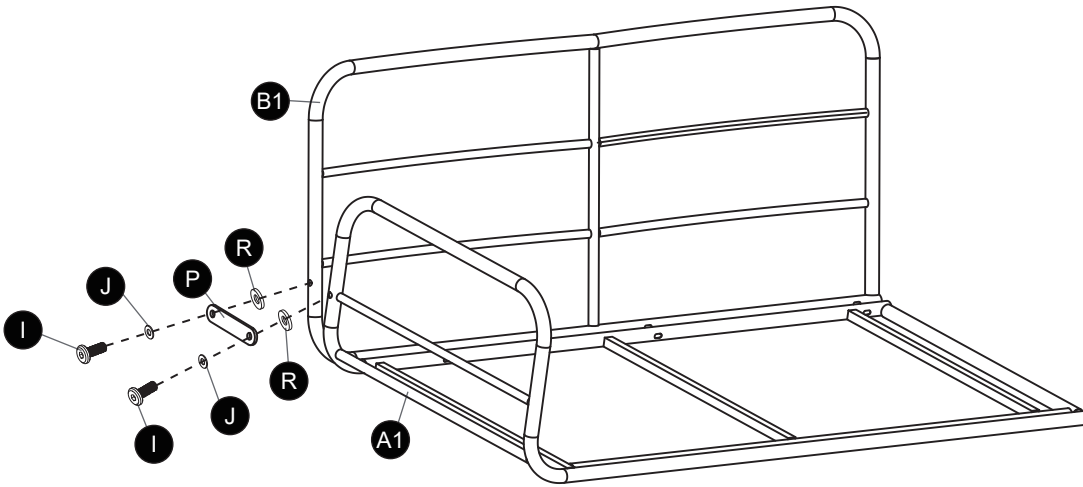
Part list			
NO	Drawing	Descripcion	QTY
A1		Seat	1pc
B1		Backrest	1pc
C1		Feet tube (short)	2pcs
D1		Cross bar (long)	2pcs
E1		Cushion	1pc
F		Throw Pillow	1pc
G		Long throw pillow	2pcs

Hardware list			
NO	Drawing	Descripcion	QTY
H		Screw Φ 6X70MM	3pcs
I		Screw Φ 6X15MM	12pcs
J		Washer	22pcs
K		Nut	3pcs
L		Plastic feet	4pcs
M		AllenKey	1pc
N		Connector	1pc
O		Wrench	1pc
P		Plastic parts	1pc
Q		Screw Φ 6X40MM	4pcs
R		Plastic washer Φ16×6.5×2	2pcs
S		Plastic washer Φ16×6.5×8	3pcs



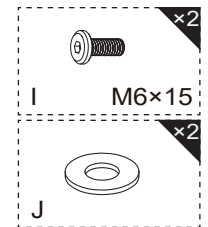
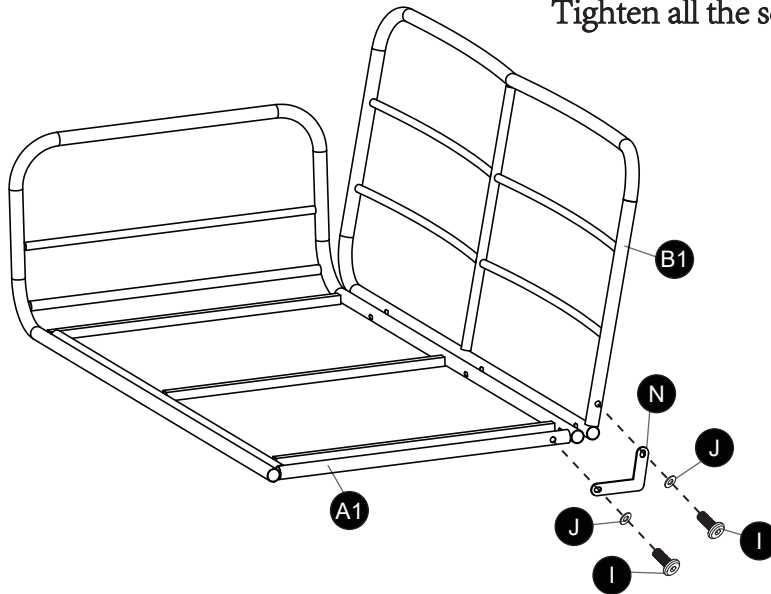
2

Don't tighten the screws



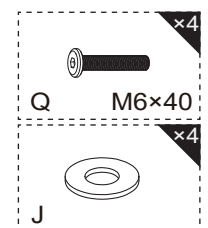
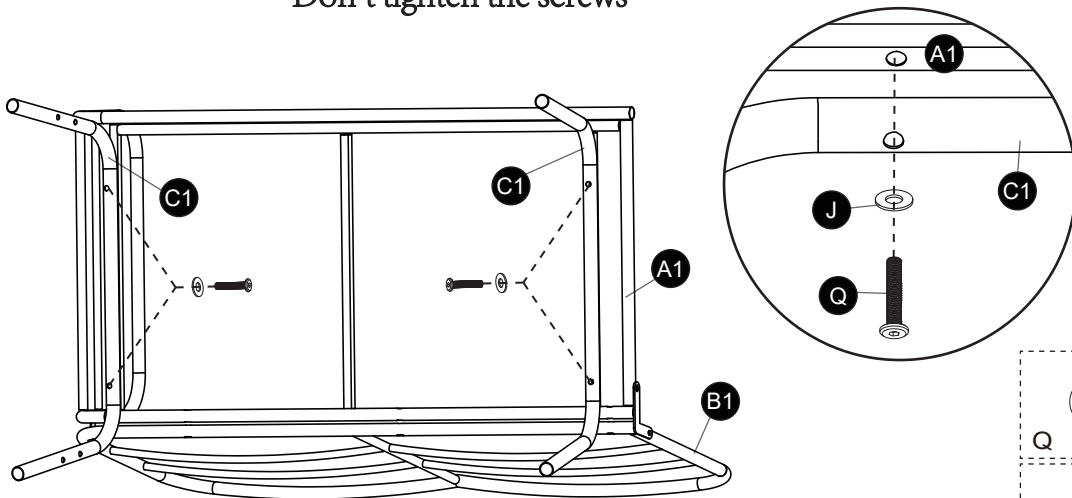
3

Tighten all the screw completely



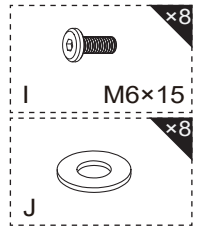
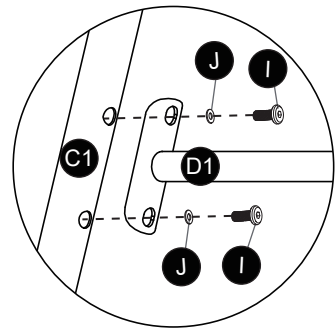
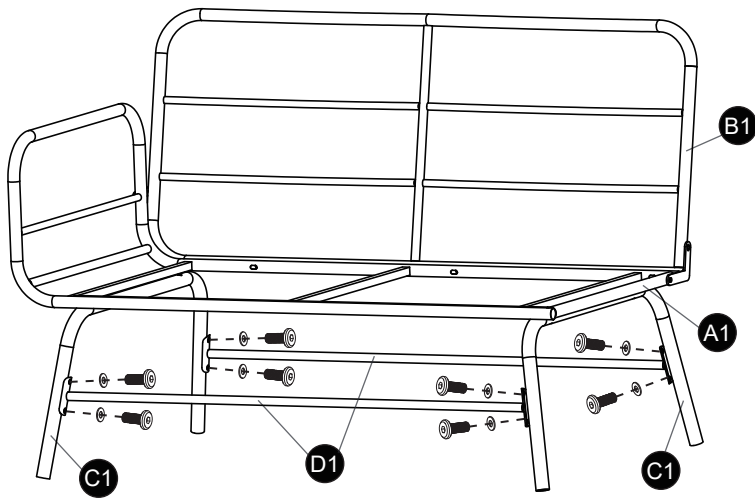
4

Don't tighten the screws

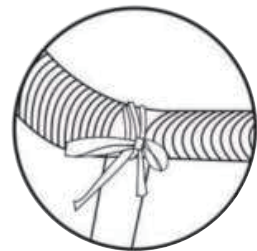
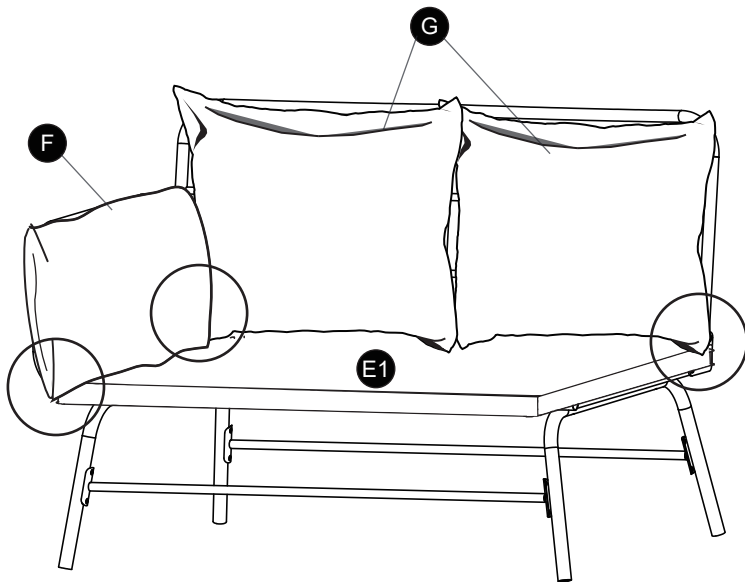


5

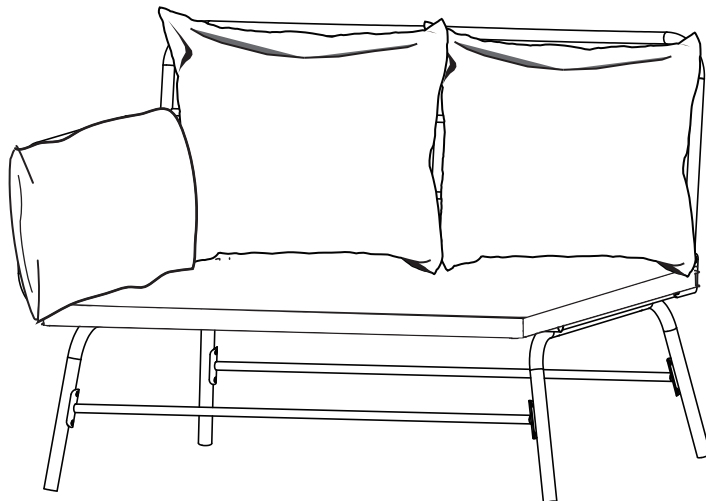
Tighten all the screw completely



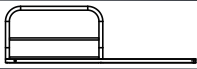


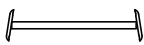
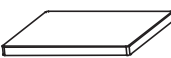


6

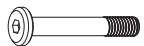







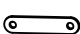

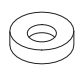
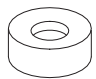


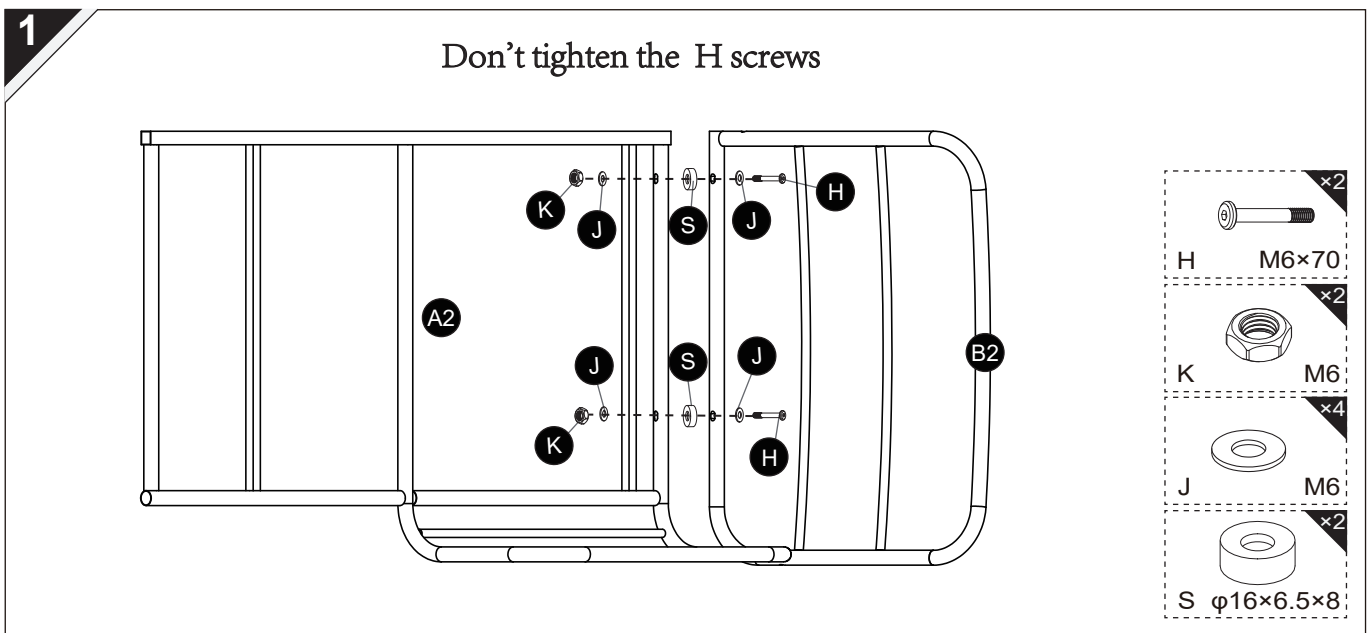
7



ASSEMBLY INSTRUCTION FOR LONGUE

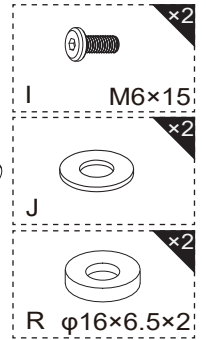
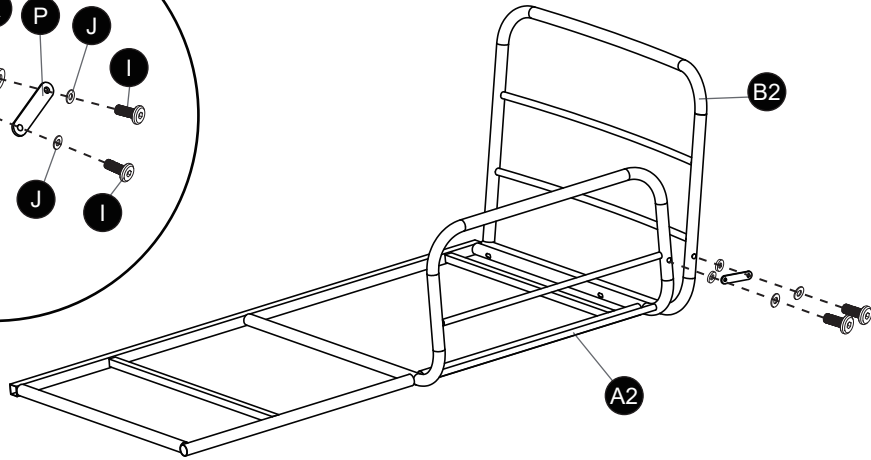
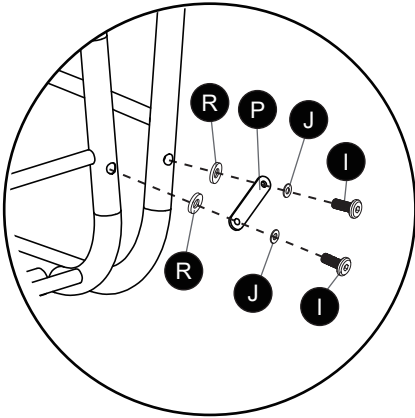
Part list			
NO	Drawing	Description	QTY
A2		Seat	1pc
B2		Backrest	1pc
C2		Feet tube (long)	2pcs
D2		Cross bar (short)	2pcs
E2		Cushion	1pc
F		Throw Pillow	1pc
G		Long throw pillow	1pc

Hardware list			
NO	Drawing	Description	QTY
H		Screw Φ 6X70MM	2pcs
I		Screw Φ 6X15MM	12pcs
J		Washer	20pcs
K		Nut	2pcs
L		Plastic feet	4pcs
M		AllenKey	1pc
N		Connector	1pc
O		Wrench	1pc
P		Plastic parts	1pc
Q		Screw Φ 6X40MM	4pcs
R		Plastic washaeer Φ16×6.5×2	2pcs
S		Plastic washaeer Φ16×6.5×8	2pcs



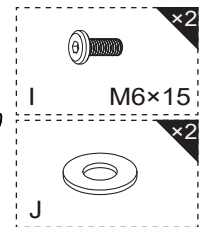
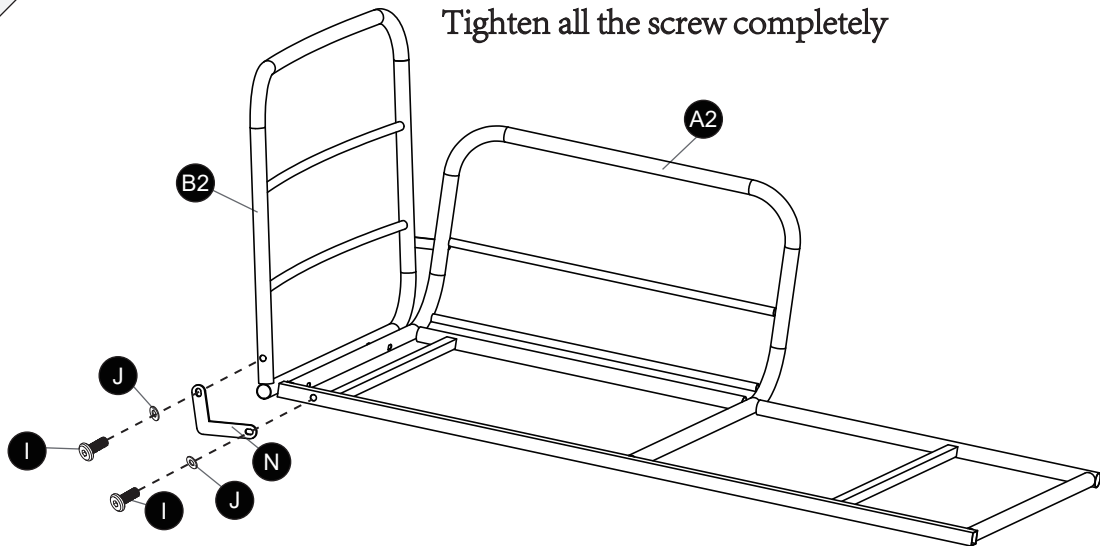
2

Don't tighten the I screws



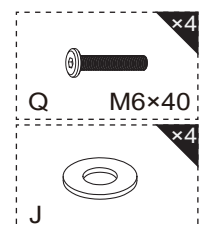
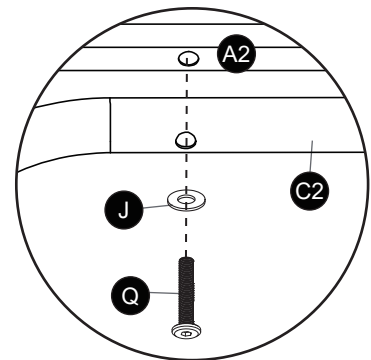
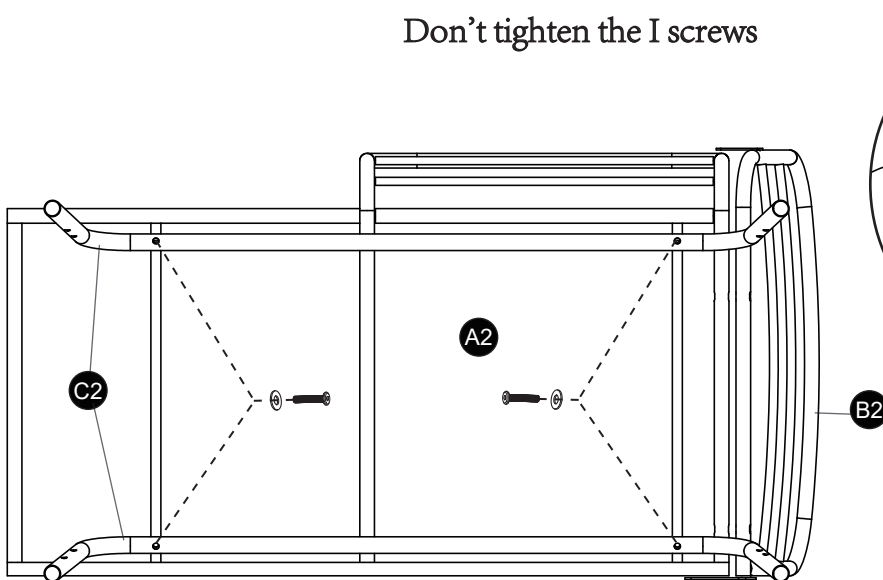
3

Tighten all the screw completely



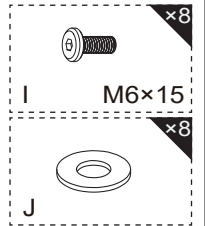
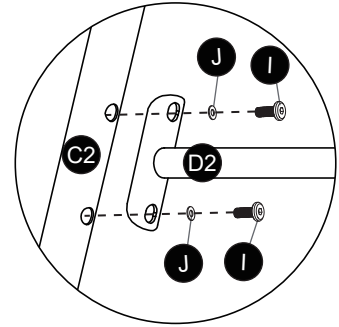
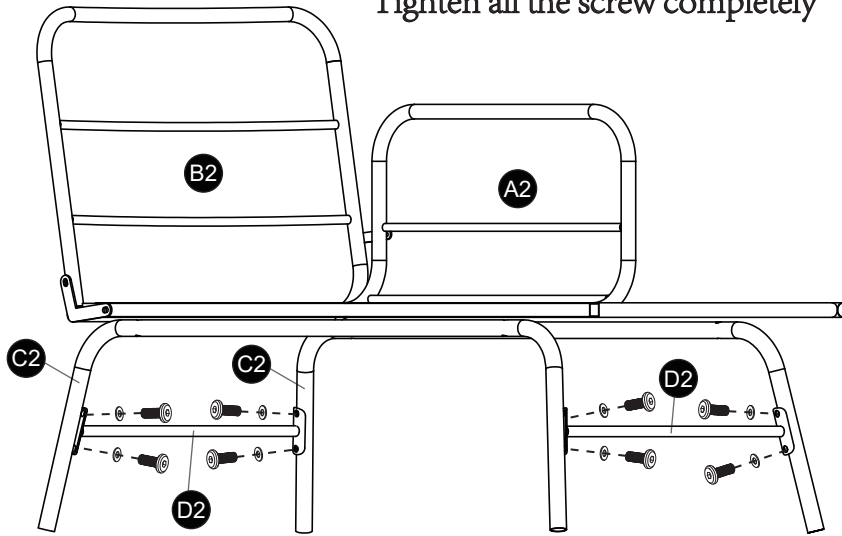
4

Don't tighten the I screws

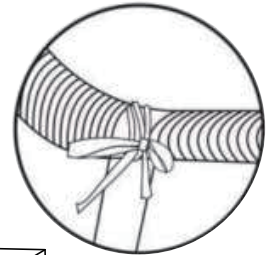
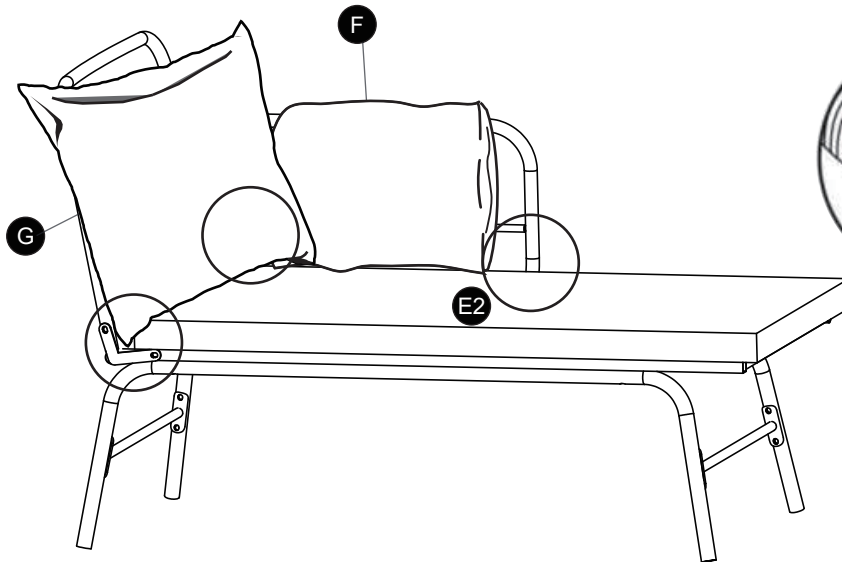


5

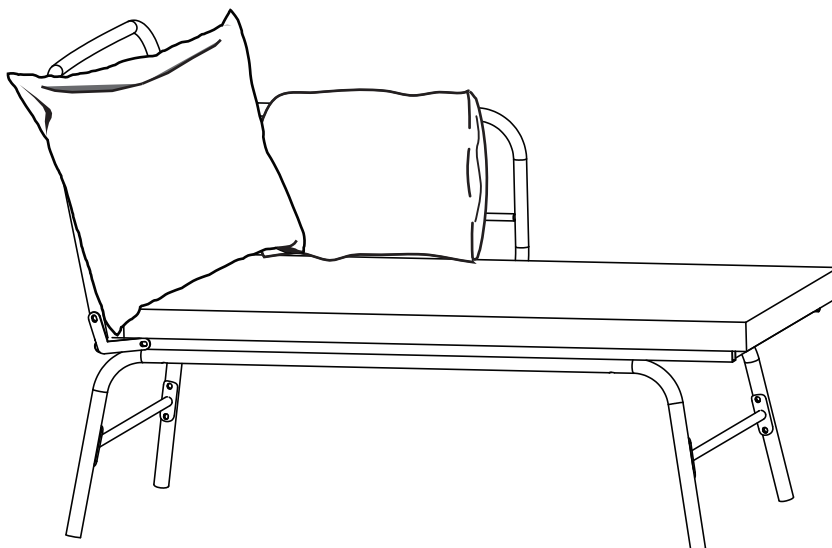
Tighten all the screw completely





6



7



ASSEMBLY INSTRUCTION FOR SIDE TABLE

Part list			
NO	Descripcion	Drawing	QTY
T	plastic feet		4
U	glass		1

