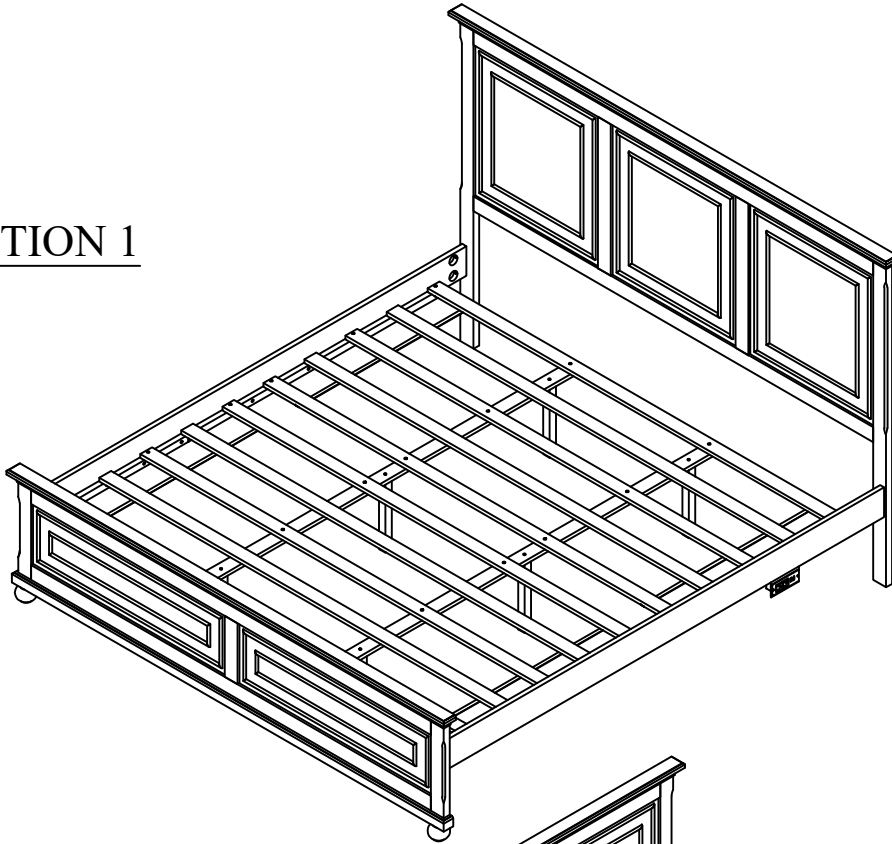


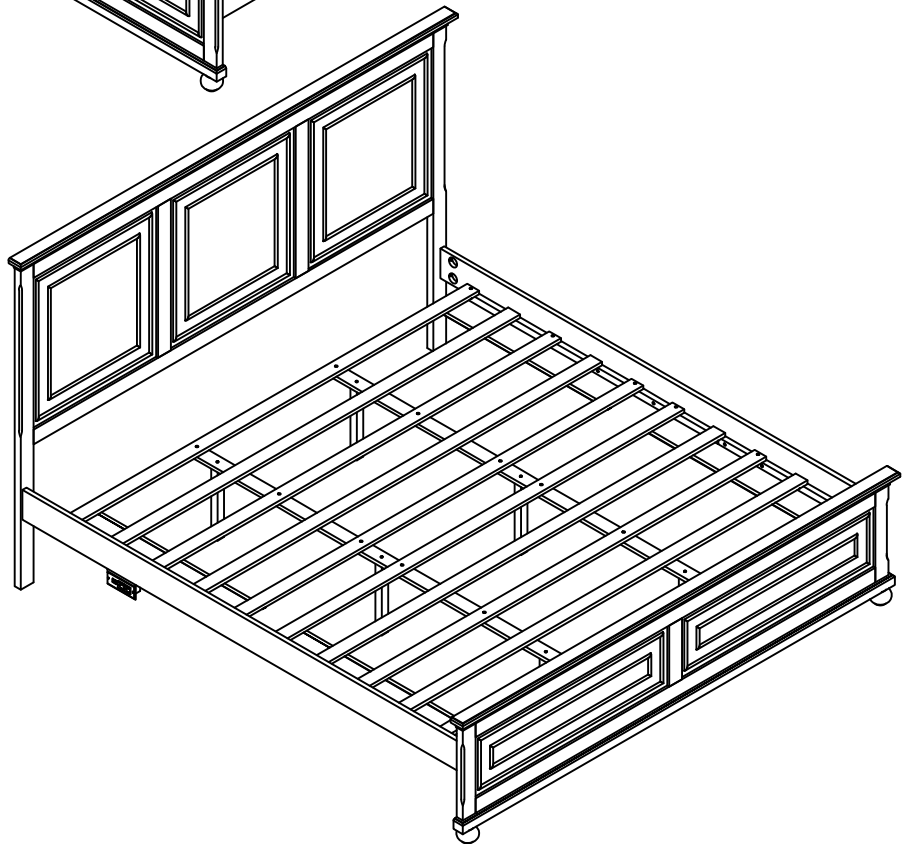
ASSEMBLY INSTRUCTIONS

KING BED WITH USB

OPTION 1

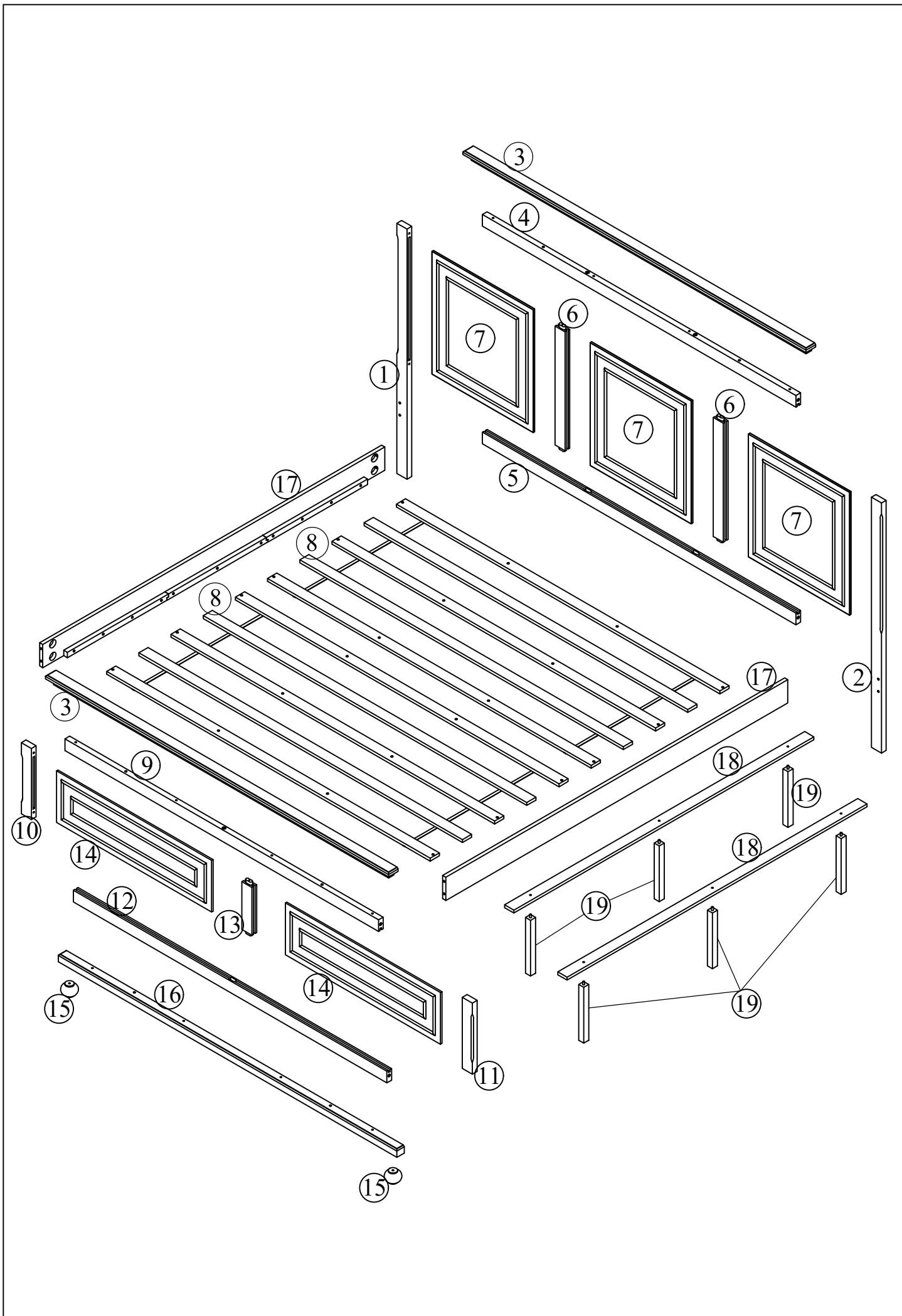


OPTION 2






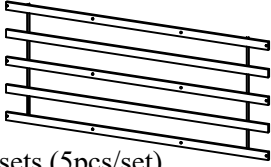

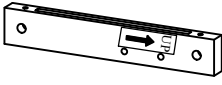
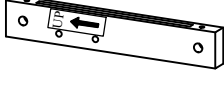
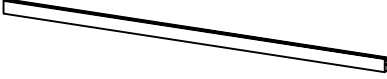


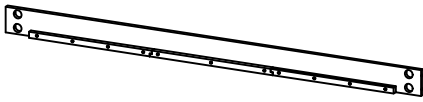
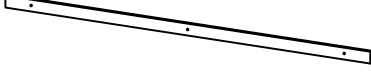


This set includes 2 boxes. If you don't receive the 2 boxes, please contact our customer service team.


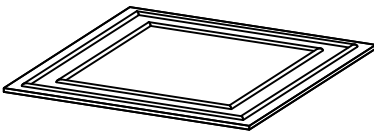
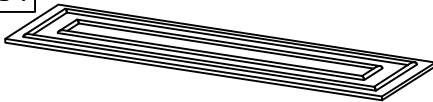
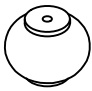

SD33021





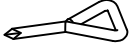

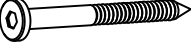






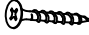
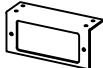
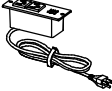
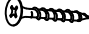

Part List (Box 1)

<p>1</p>  <p>Leg (Left HB) - 1pc</p>	<p>2</p>  <p>Leg (Right HB) - 1pc</p>	<p>3</p>  <p>Upper Horizontal Bar HB/FB - 2pcs</p>
<p>4</p>  <p>Middle Horizontal Bar HB - 1pc</p>	<p>5</p>  <p>Horizontal Bar Bottom HB - 1pc</p>	<p>8</p>  <p>Slats - 2sets (5pcs/set)</p>
<p>9</p>  <p>Middle Horizontal Bar FB - 1pc</p>	<p>10</p>  <p>Leg (Left FB) - 1pc</p>	<p>11</p>  <p>Leg (Right FB) - 1pc</p>
<p>12</p>  <p>Middle Horizontal Bar FB - 1pc</p>	<p>13</p>  <p>Middle Bar FB - 1pc</p>	<p>16</p>  <p>Horizontal Bar Bottom FB - 1pc</p>
<p>17</p>  <p>Side rail - 2pcs</p>	<p>18</p>  <p>Center Support Bar - 2pcs</p>	

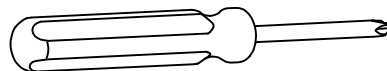
Part List (Box 2)

<p>6</p>  <p>Middle Bar HB - 2pcs</p>	<p>7</p>  <p>Panel HB - 3pcs</p>	<p>14</p>  <p>Panel FB - 2pcs</p>
<p>15</p>  <p>Legs FB - 2pcs</p>	<p>19</p>  <p>Support Legs - 6pcs</p>	

Hardware List (Box 2)

<p>A</p>  <p>M6*40</p>	<p>B</p>  <p>Ø15*13</p>	<p>C</p>  <p>5*90</p>
<p>Bolts Shaft (16pcs) Nut (16pcs) (1pc)</p>		
<p>D</p>  <p>Ø10*40</p>	<p>E</p>  <p>(Ø15) 1/4"*80</p>	<p>F</p>  <p>(1/4") 4*58mm</p>
<p>Wood dowel (6pcs) Screws (10pcs) Allen key (1pc)</p>		
<p>G</p>  <p>(Ø15) 5/16"*75</p>	<p>H</p>  <p>5/16"*80</p>	<p>I</p>  <p>27x16xØ10x2</p>
<p>Hex-Head bolts (2pcs) Bolts Shaft (8pcs) (8pcs)</p>		
<p>J</p>  <p>12x5/16"xH12</p>	<p>K</p>  <p>12mm</p>	<p>L</p>  <p>Ø4*25mm</p>
<p>Nut (8pcs) Key (1pc) Wood screws (24pcs)</p>		
<p>M</p>  <p>130x59/40x2</p>	<p>N</p> 	<p>O</p>  <p>Ø3.5*20mm</p>
<p>Bracket (1pc) Power Outlet (1pc) Wood screws (4pcs)</p>		
<p>P</p>  <p>5/32"*15</p>		
<p>Pan-Head bolts (2pcs)</p>		

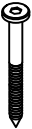
ASSEMBLY TOOLS REQUIRED (NOT INCLUDED)



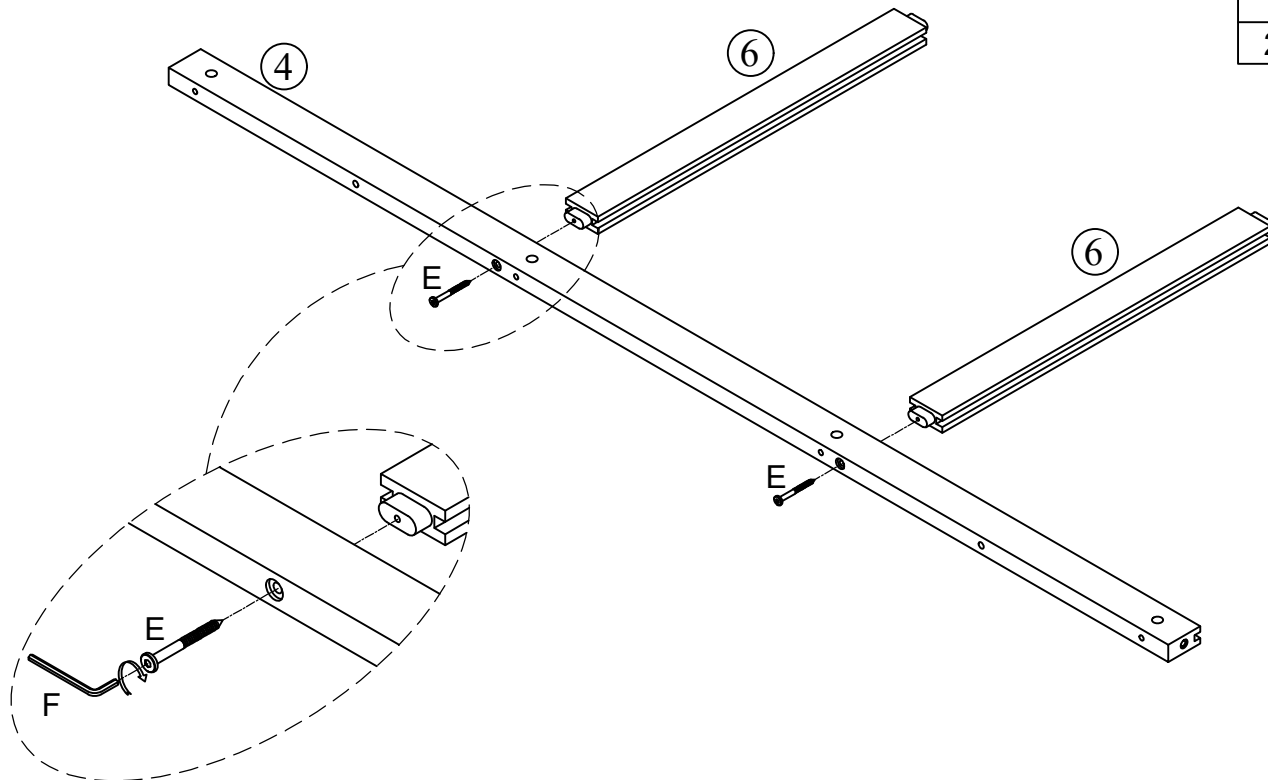
PLEASE BE CAREFUL DO NOT DAMAGE THE HOLE POSITION WHEN YOU USE POWER TOOLS !

STEP 1:

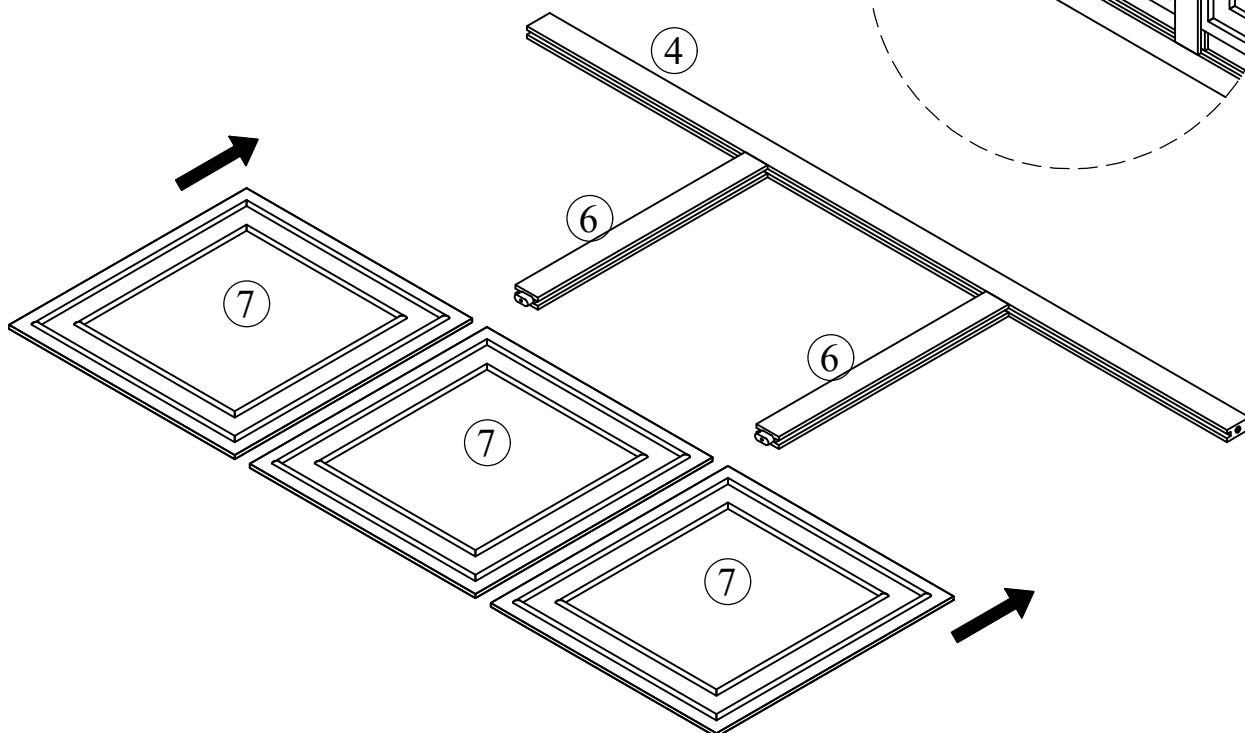
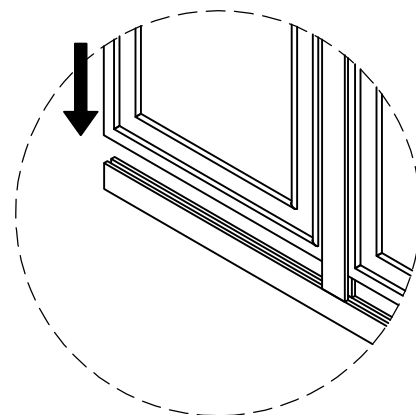
E



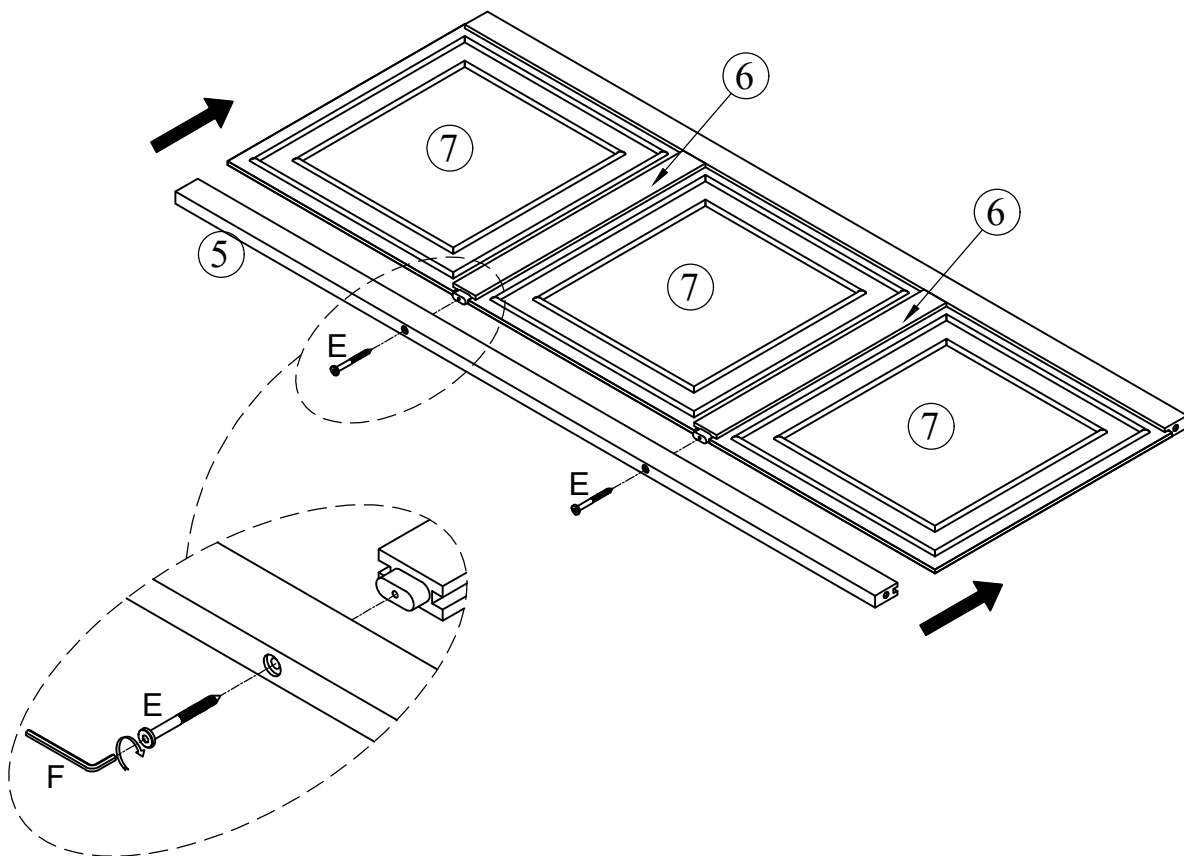
2PCS

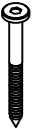


STEP 2:

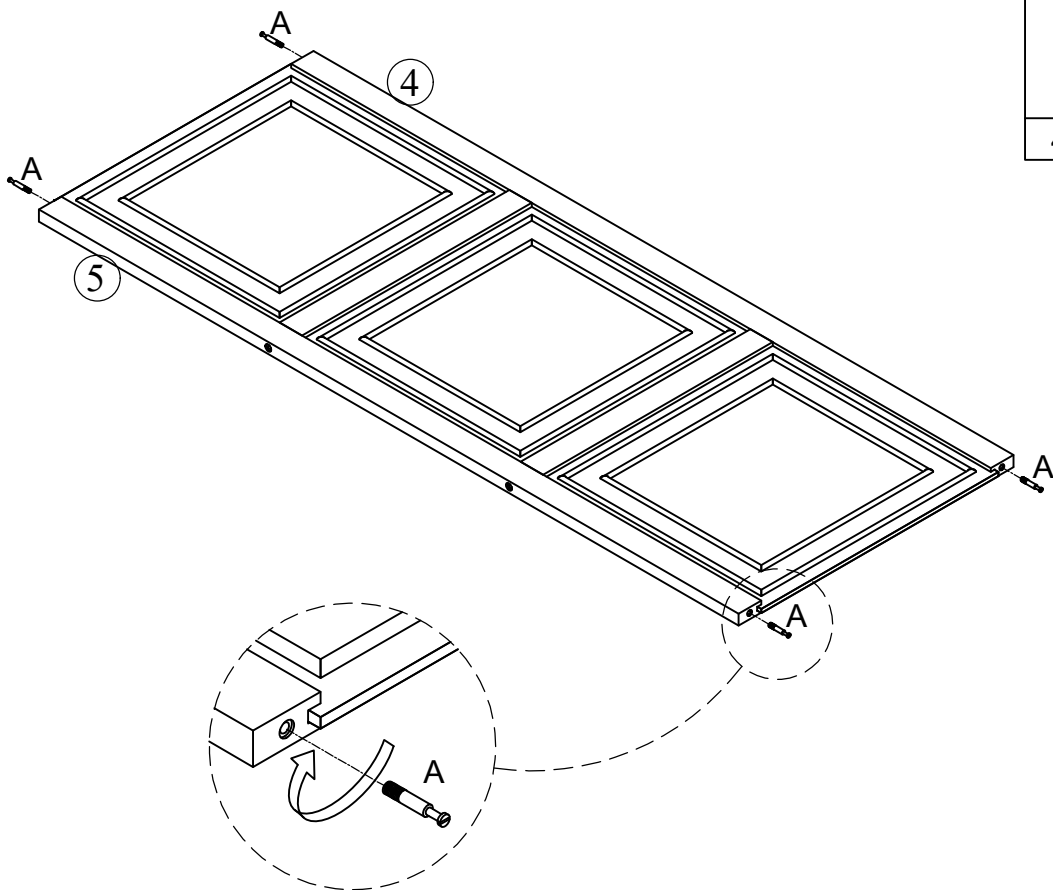



STEP 3:



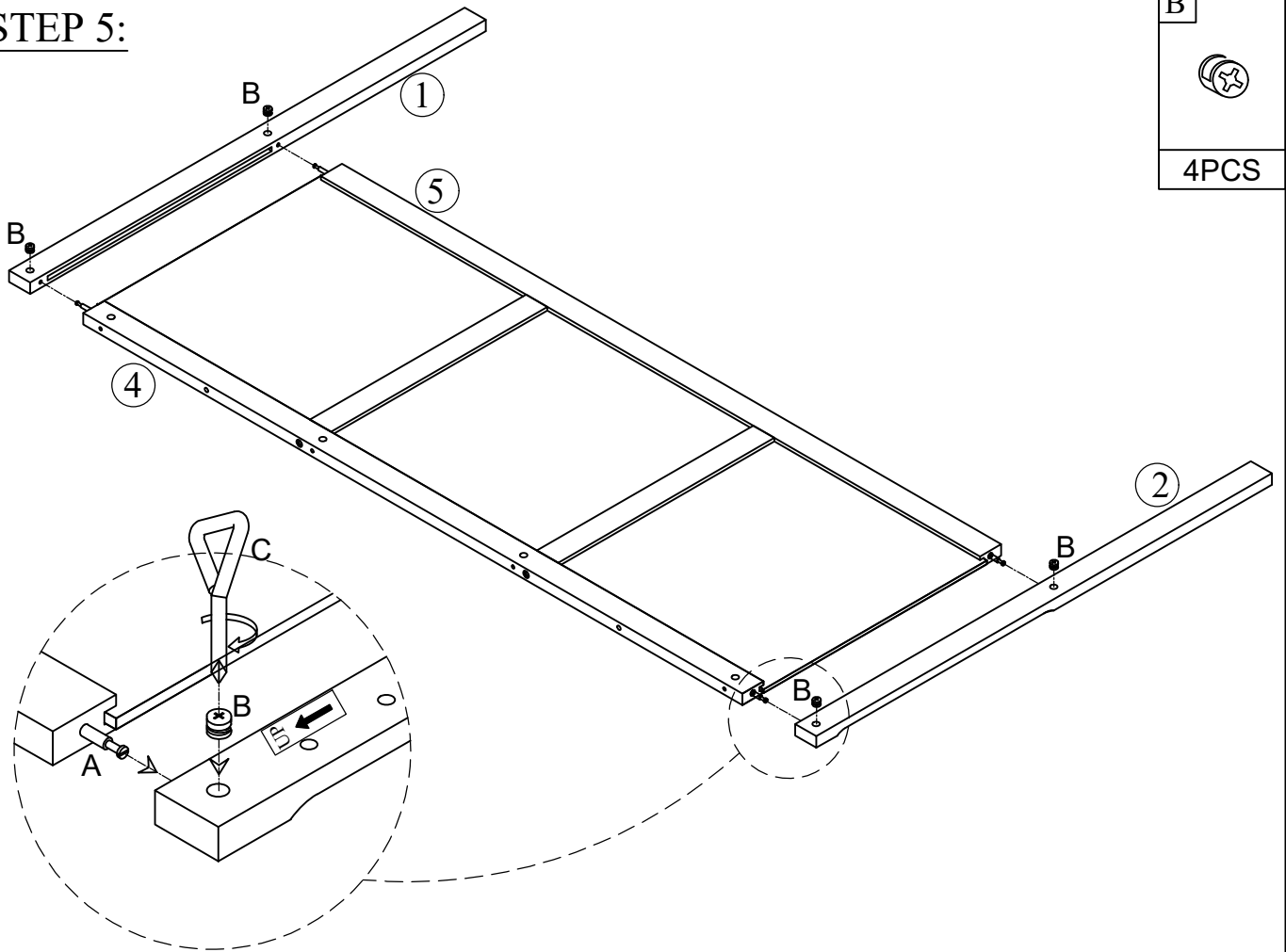
E	
2PCS	

STEP 4:



A	
4PCS	

STEP 5:

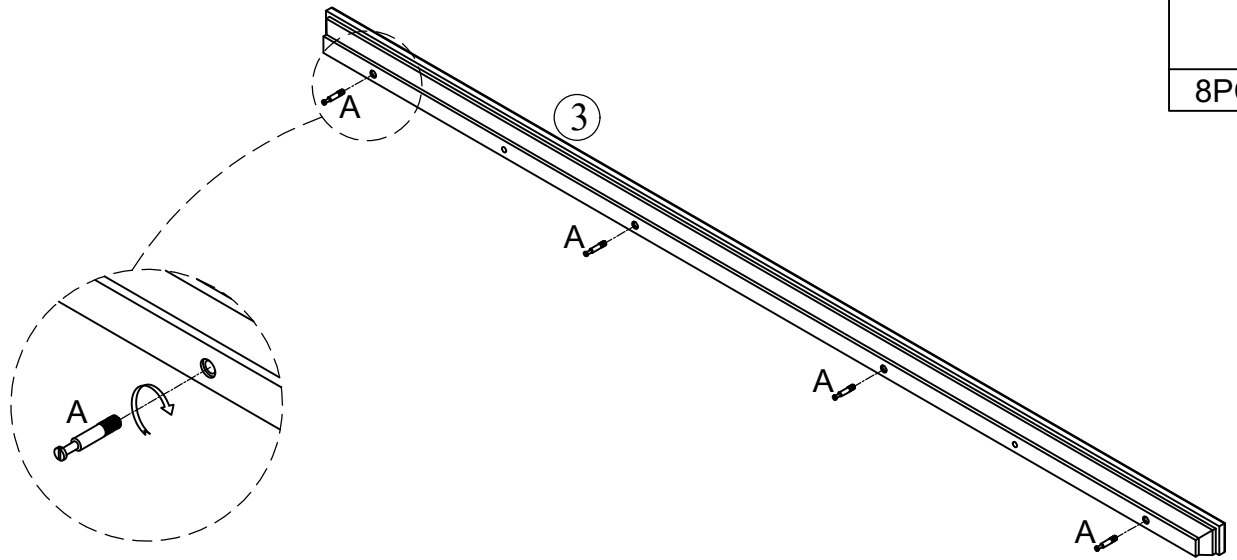


B



4PCS

STEP 6: (x2)





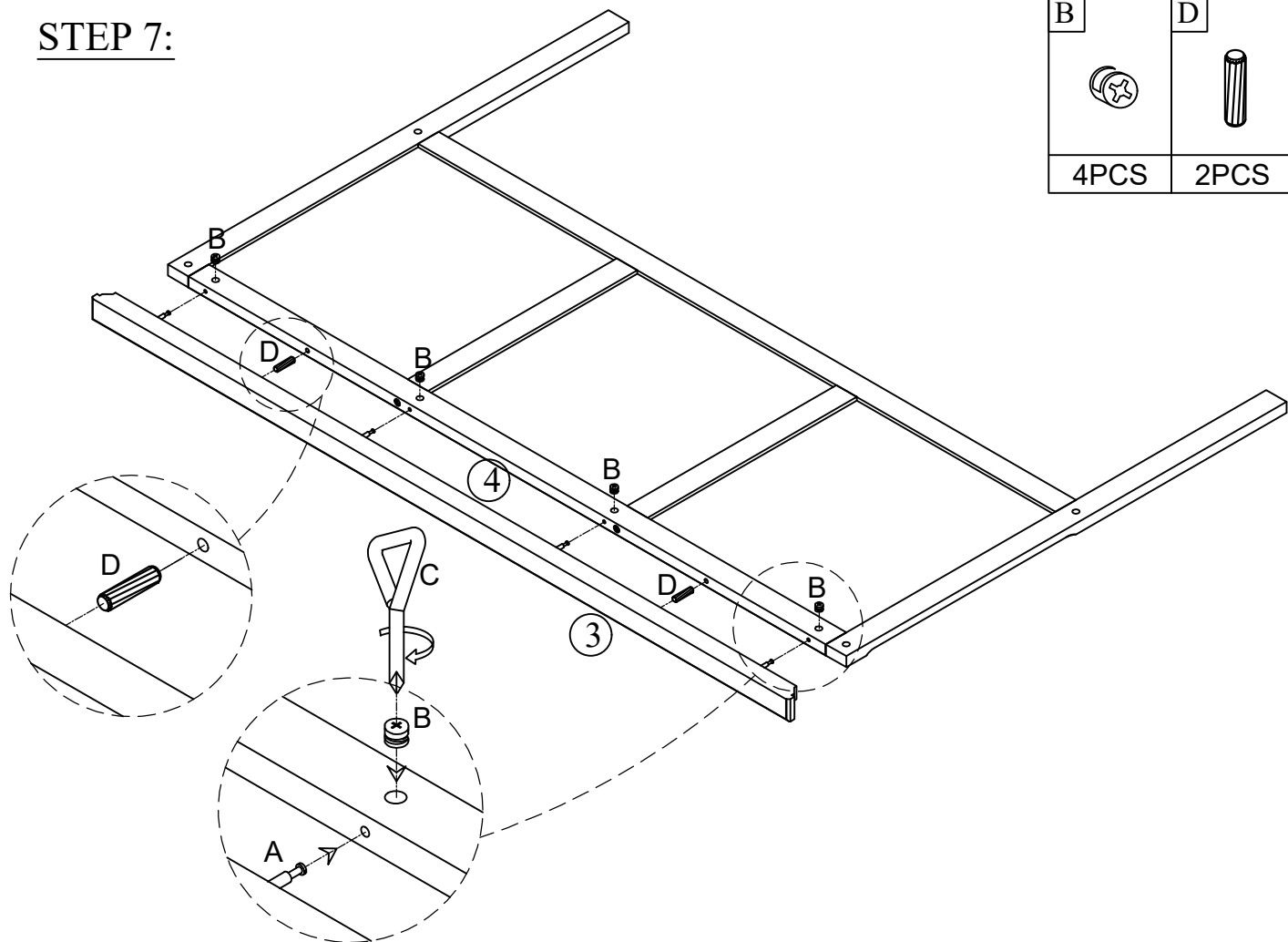
A




8PCS

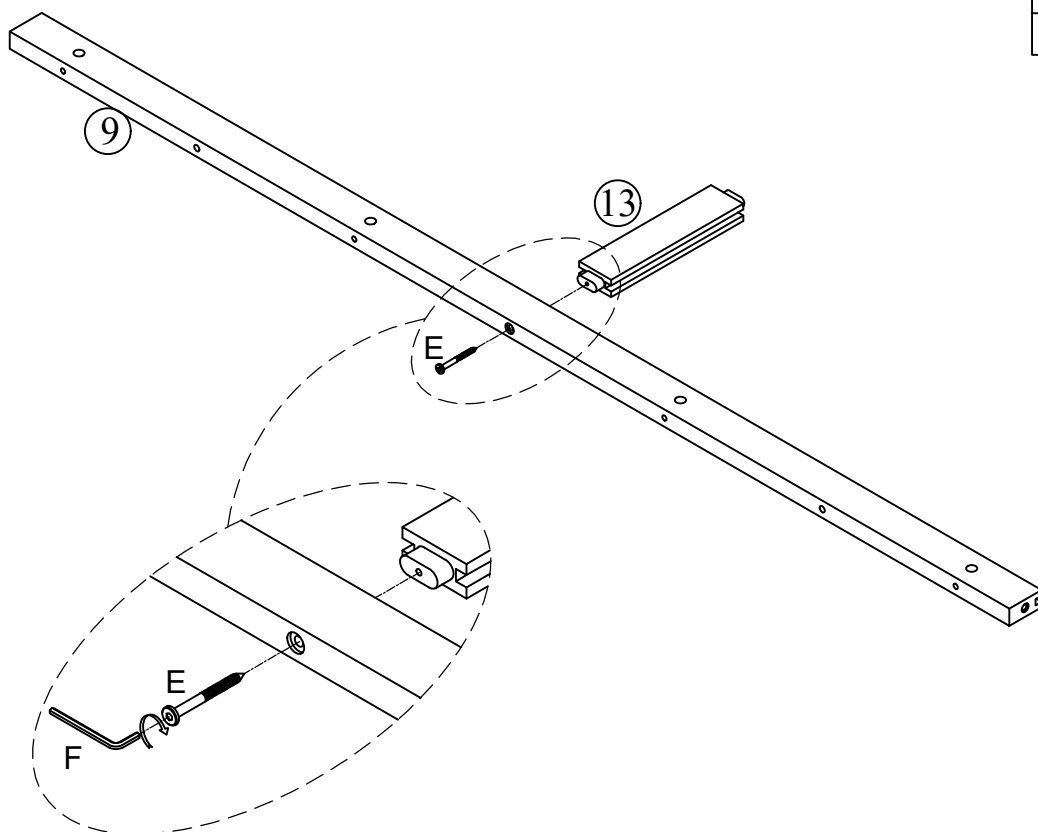
STEP 7:

B	D
	
4PCS	2PCS

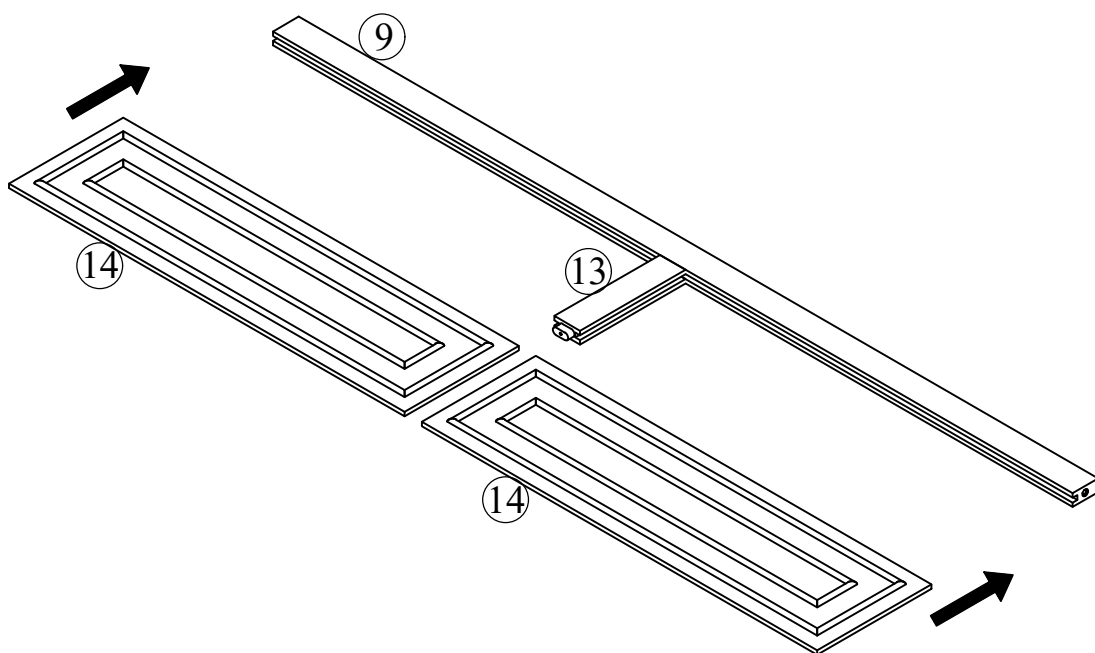


STEP 8:

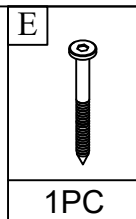
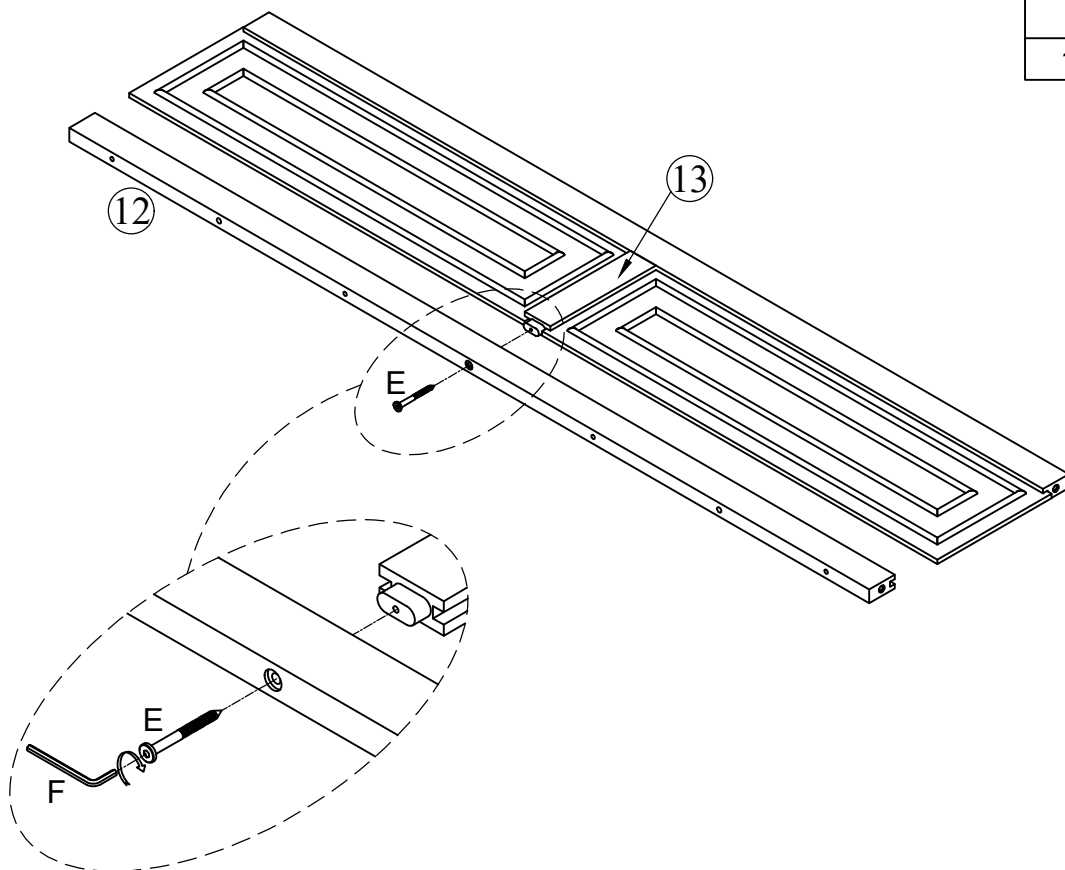
E

1PC



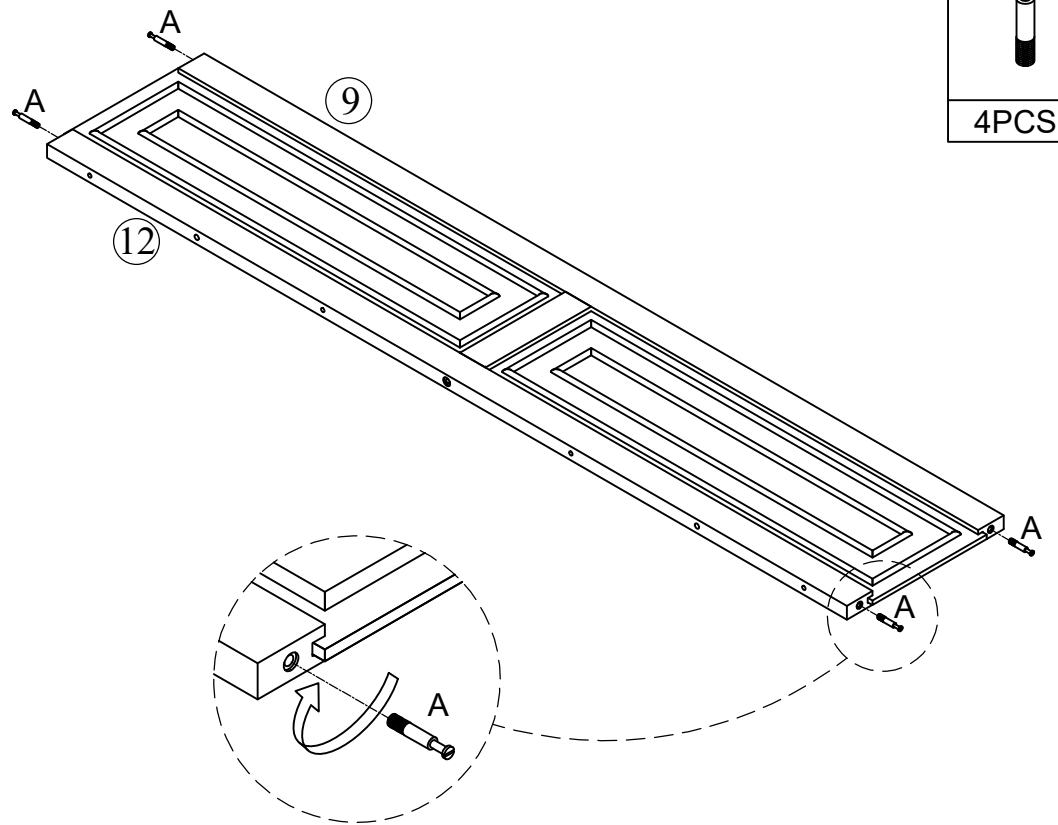
STEP 9:



STEP 10:



STEP 11:

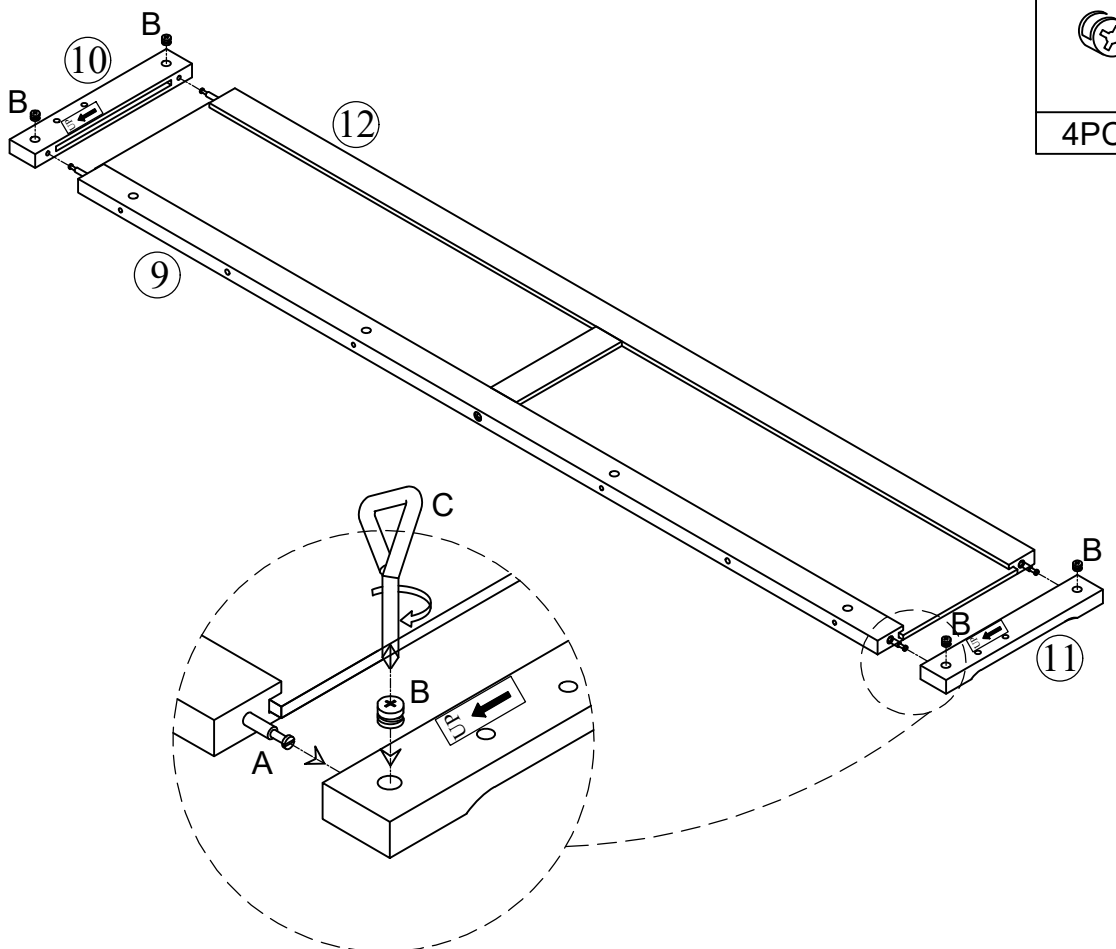


A



4PCS

STEP 12:

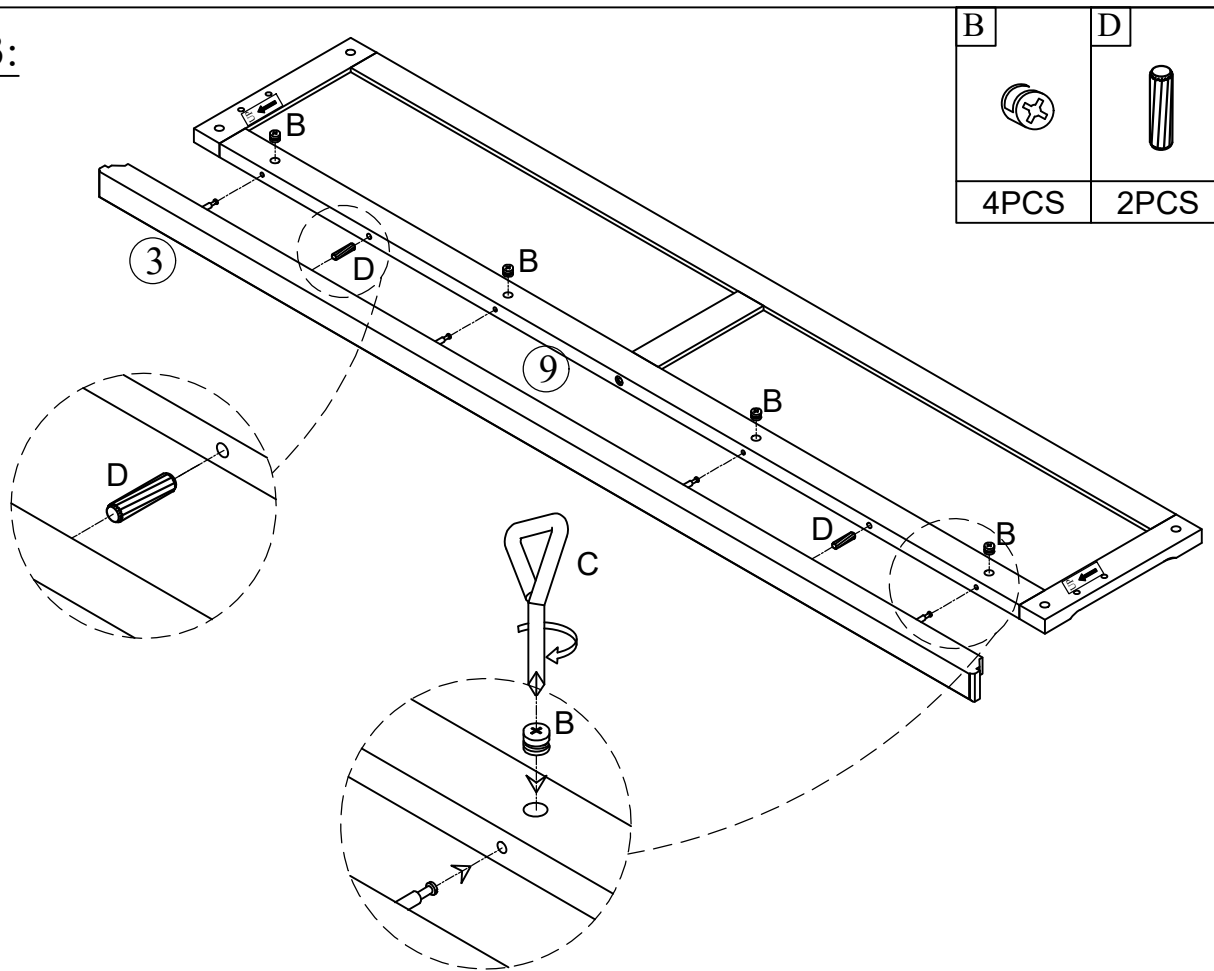


B

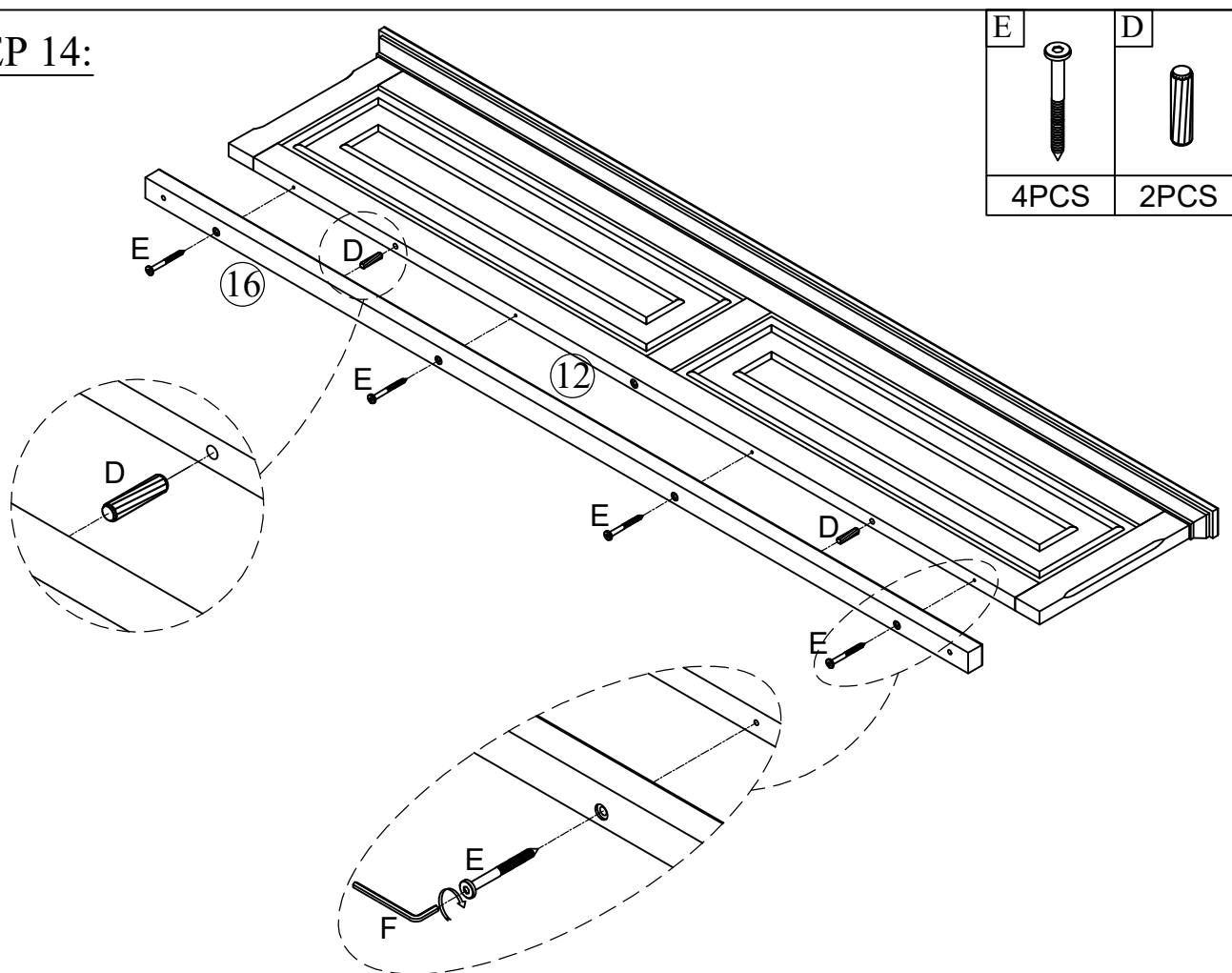


4PCS

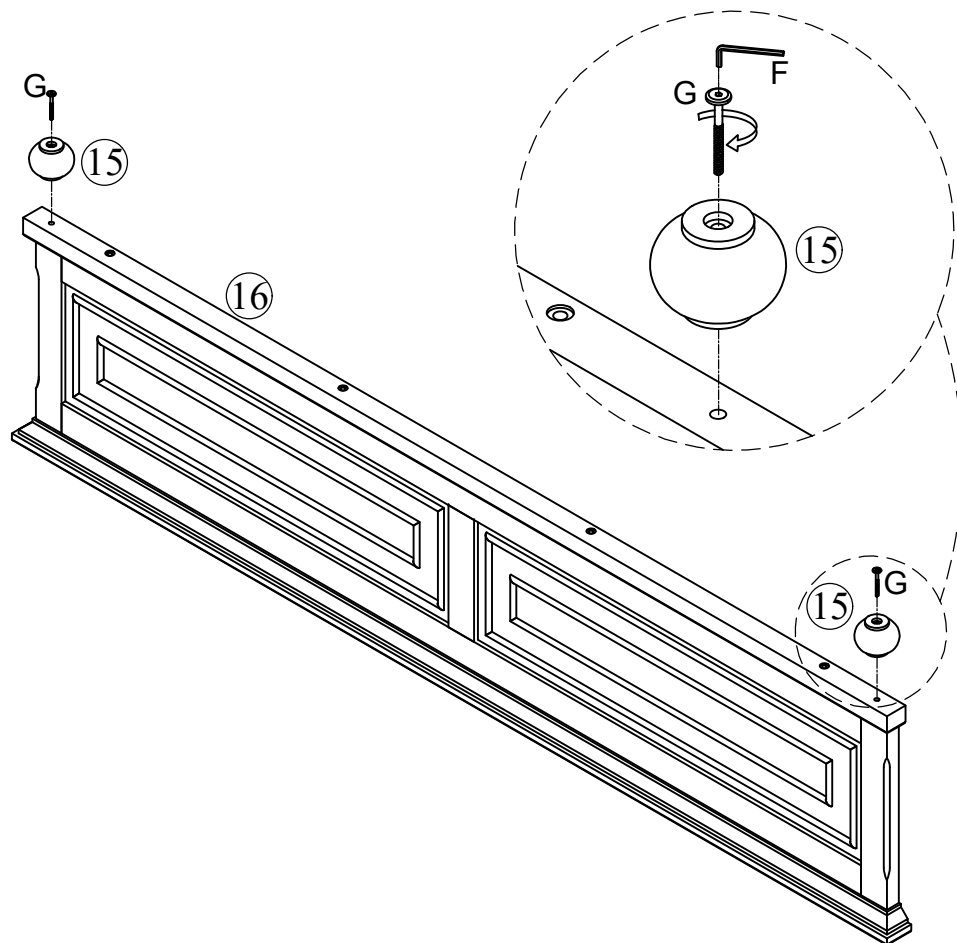
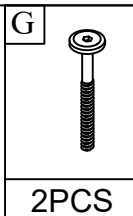
STEP 13:



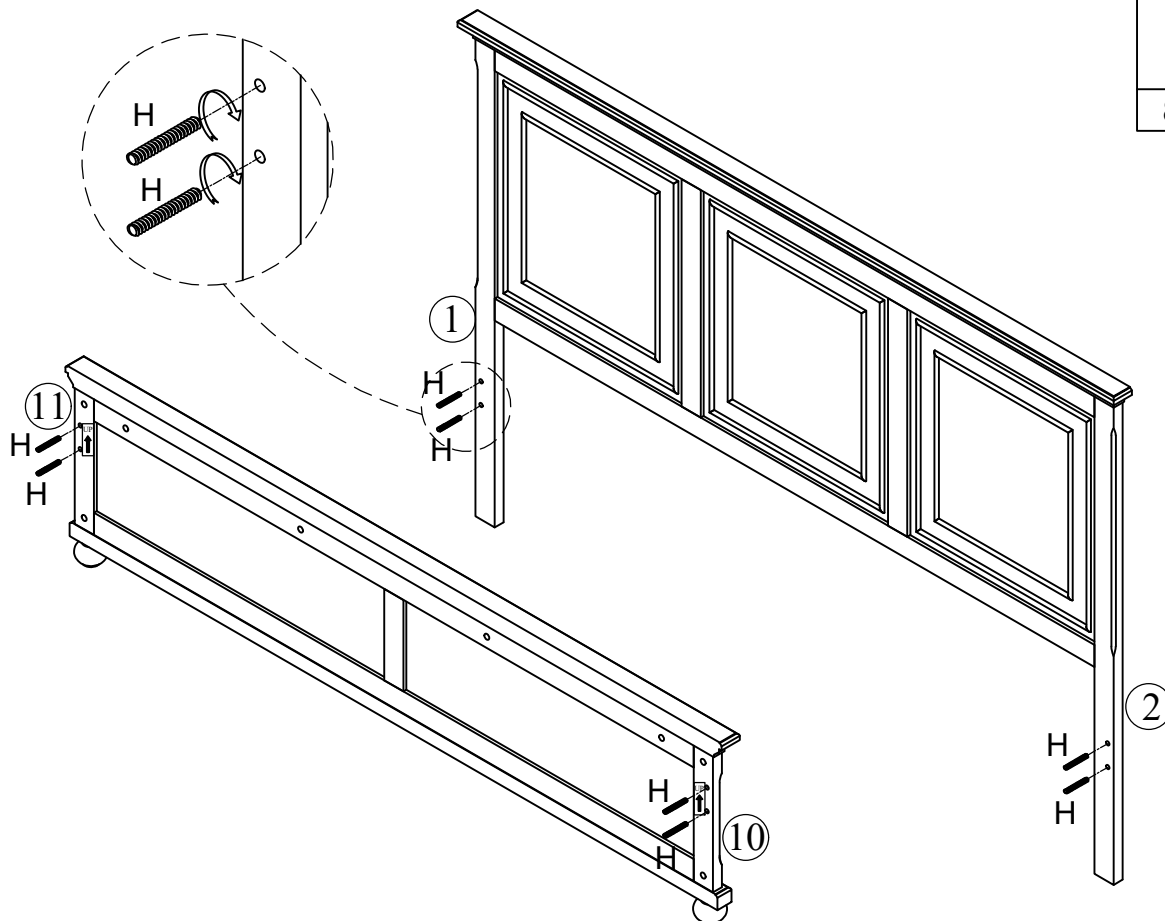
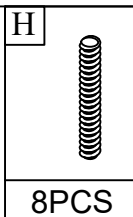
STEP 14:



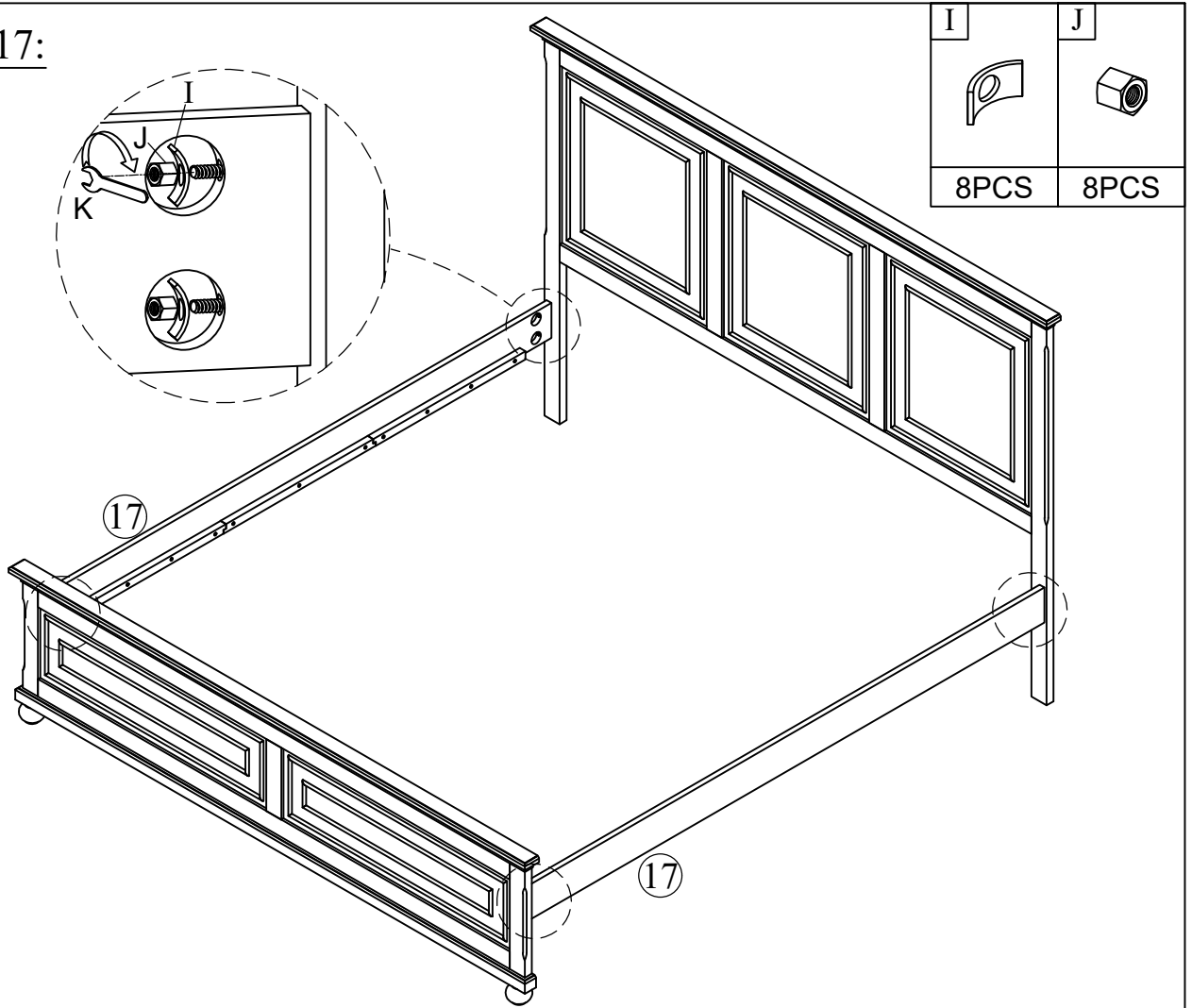
STEP 15:



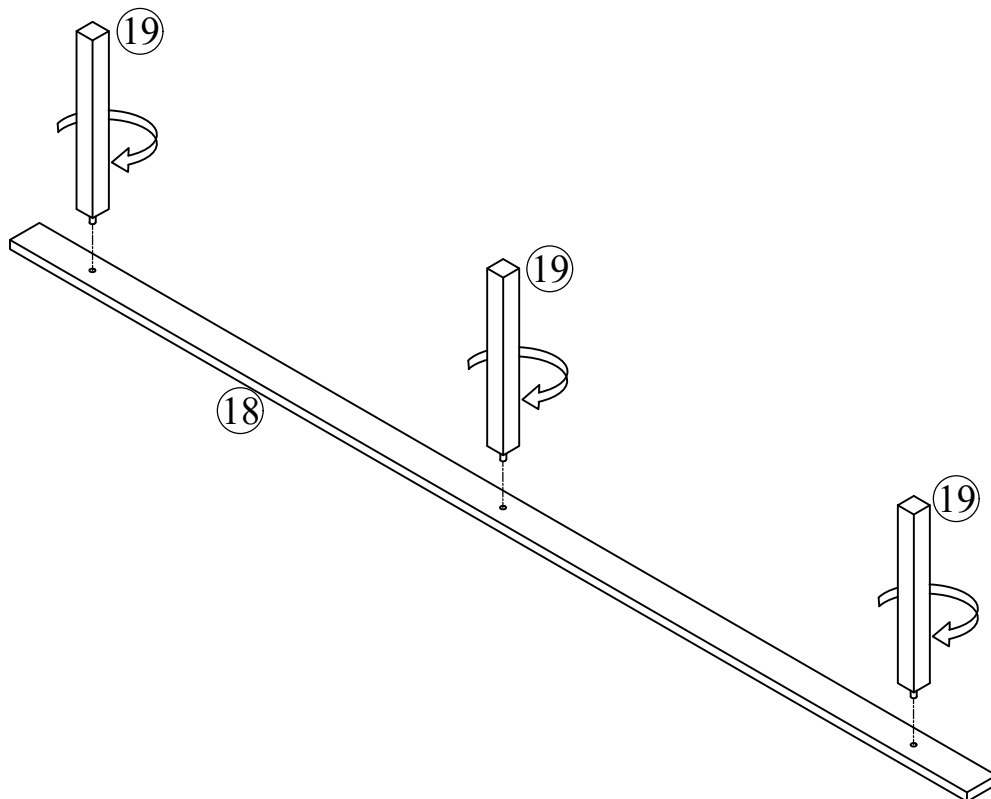
STEP 16:



STEP 17:



STEP 18: (x2)

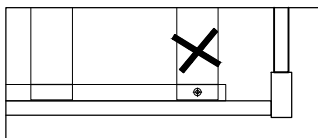
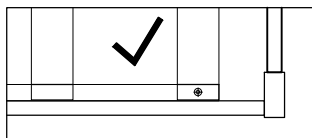
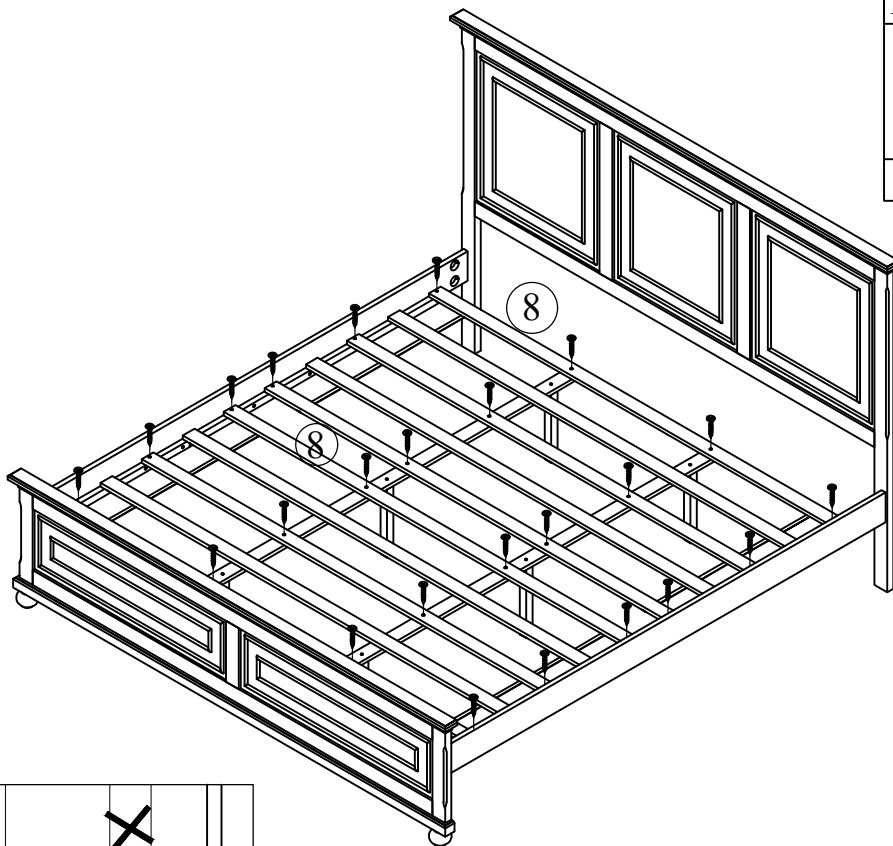
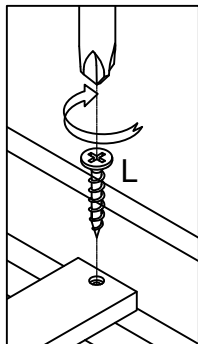


STEP 19:

L



24PCS

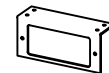


Note: Do not lock the screws of the bed slats to the outermost edge of the bed slats, you need to leave a certain space at the edges, otherwise it will cause the board to break.

STEP 20:

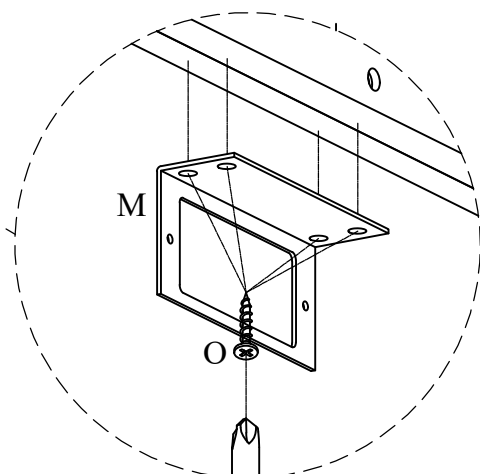
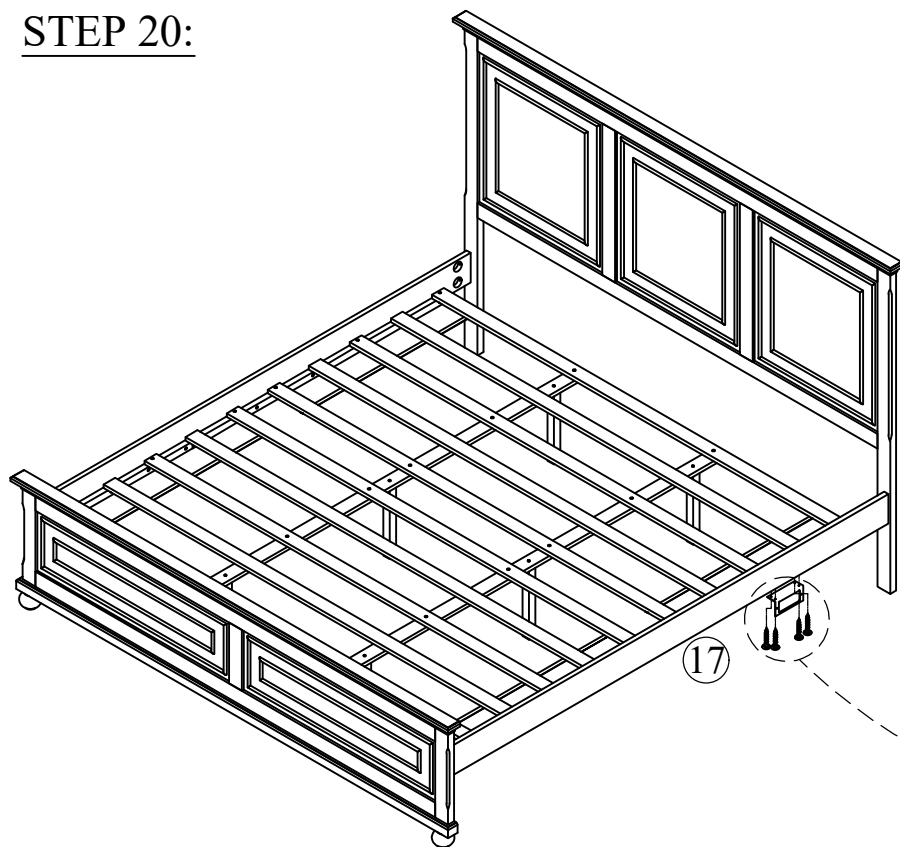
M

O

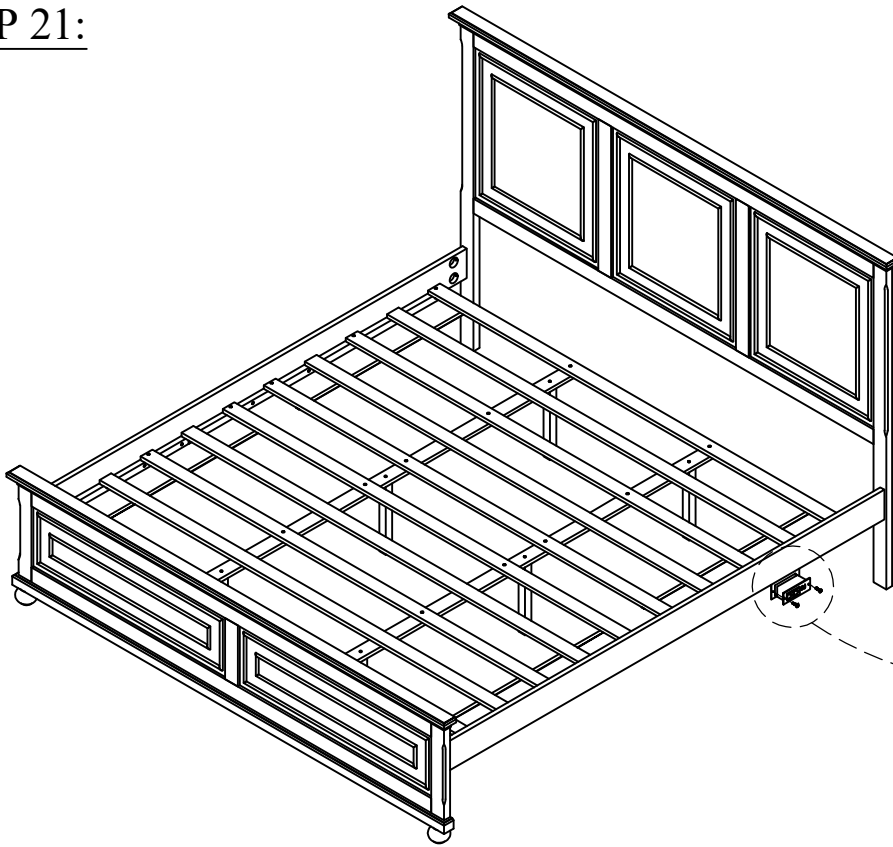


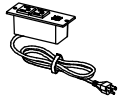

1PC

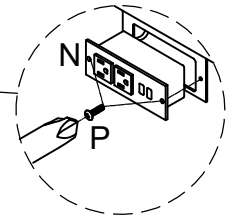
4PCS



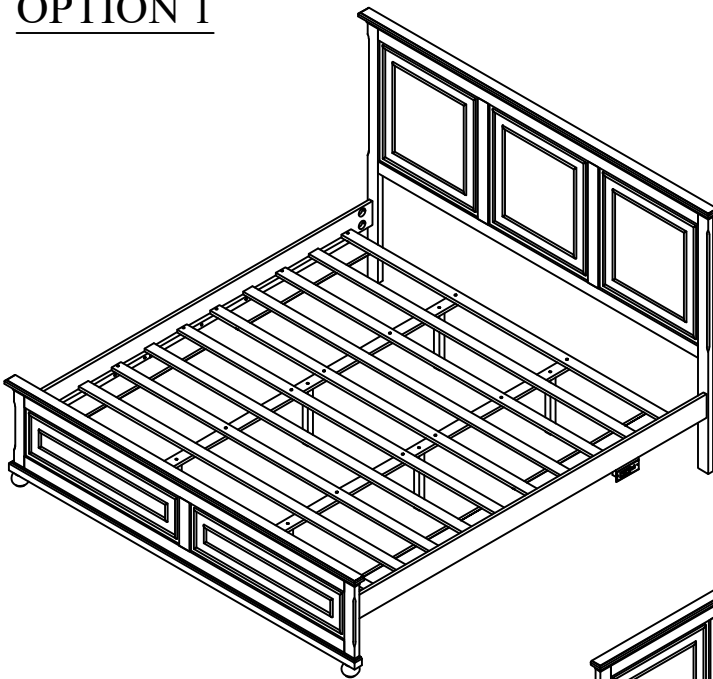
STEP 21:



N	P
	
1PC	2PCS



OPTION 1



OPTION 2

