



Birlea

Suppliers of inspiration

Assembly Instructions

Thank you for purchasing a Birlea product.

For a chance to win a Love 2 Shop voucher simply post a picture of your new product on your preferred social channels tagging Birlea Furniture and using the hashtag #ShareYourStyle and #Birlea. One winner will be selected at random each month.

To view our full terms and conditions please visit our website. www.birlea.com

Are you happy with your purchase?

Yes: That's great, we would love to hear more from you. Please leave us a review on our social media channels or Trustpilot. Your feedback will be greatly appreciated.

No: If for any reason there is something missing, indifferent or incorrect with your order, please contact the retailer you purchased the item from. We will work with the retailer to resolve your issue as quickly as possible.



www.birlea.com



Birlea

Suppliers of inspiration

Vendor: S000139



ASSEMBLY INSTRUCTIONS CHLOE DRESSING TABLE

IMPORTANT: READ THESE INSTRUCTIONS CAREFULLY BEFORE ASSEMBLING OR USING YOUR CHLOE DRESSING TABLE.

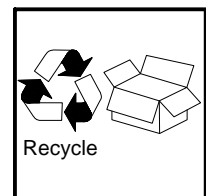
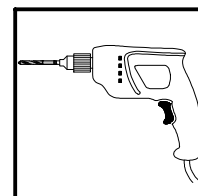
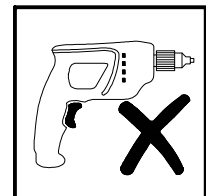
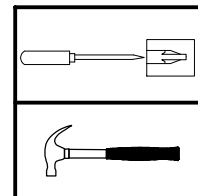
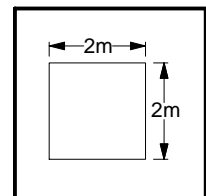
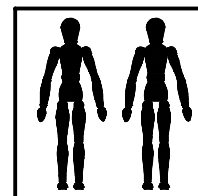
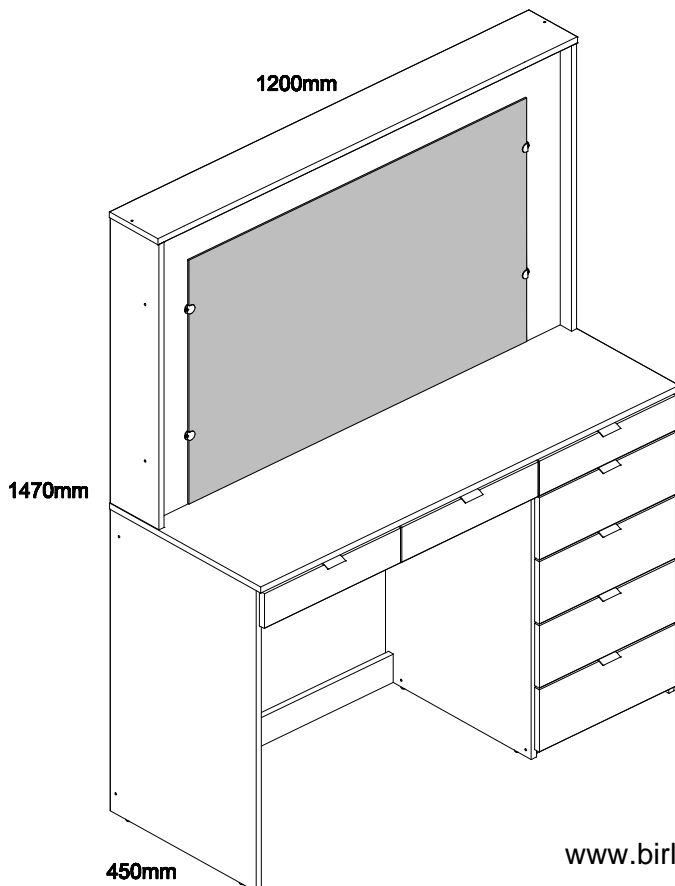
PLEASE KEEP THESE INSTRUCTIONS FOR FUTURE REFERENCE.

HEALTH & SAFETY:

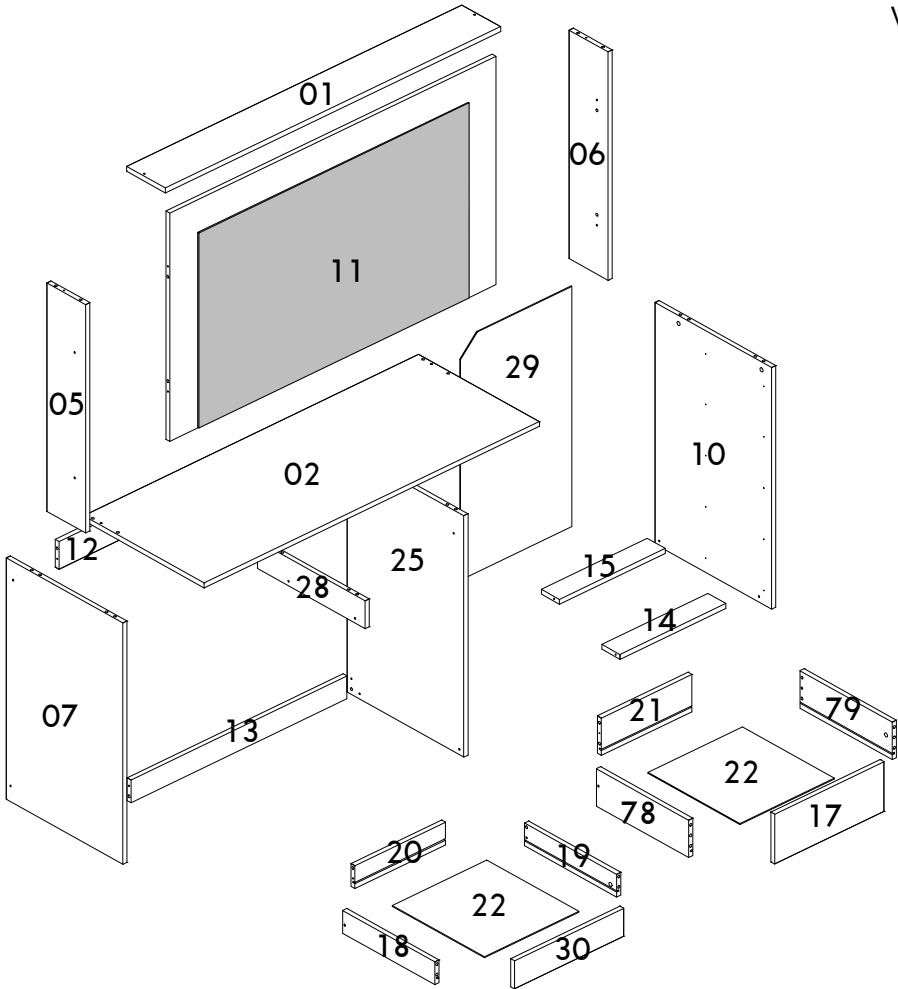
DO NOT use this item if any parts are missing, damaged or worn.
DO NOT use this item unless all fixings are secured.
Please keep small parts out of reach of children
Always use on a level, even surface.

CARE & MAINTENANCE:

Assemble in the room of use
Assembly should be carried out with this item laying flat, not standing upright.
Assemble on a soft, clean surface to prevent damages.
To remove the printed numbers on the pieces, use the eraser provided
Periodically check all screws & fixings to ensure they are secure.
DO NOT push the item as this will damage the base.
Always lift the item with two people to reposition.
Keep any sharp objects away from the item.




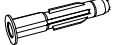
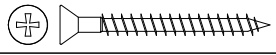
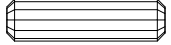


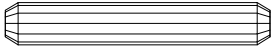
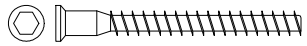


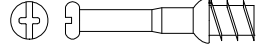


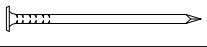
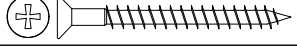



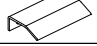

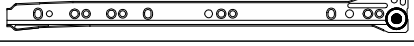
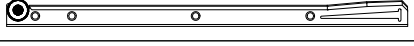



www.birlea.com



Parts List			
Part	Description	Box	Qty
01	Top Base	1	1
02	Top	1	1
05	Upper Left Side	1	1
06	Upper Right Side	1	1
07	Lower Left Side	1	1
10	Lower Right Side	1	1
11	Mirrored Panel	1	1
12	Drawers Tray	1	1
13	Lower Plinth	1	1
14	Lower Tray Front	1	1
15	Lower Tray Rear	1	1
17	Larger Drawer Front	1	4
18	Left Side of Drawer Smaller	1	3
19	Right Side of Drawer Smaller	1	3
20	Rear of Drawer Smaller	1	3
21	Rear of Drawer Larger	1	4
22	Bottom of Drawer	1	7
25	Larger Division	1	1
28	Smaller Division	1	1
29	Backboard	1	1
30	Smaller Drawer Front	1	3
78	Left Side of Drawer Larger	1	4
79	Right Side of Drawer Larger	1	4

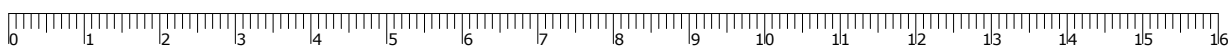
Hardware List

Part	Description		Qty
A	5,0 x 60 mm Screw		1
A1	Glue		1
A2	Small Plastic foot		6
B3	Bushing		1
D	4,0 x 40 mm Screw		1
E	8 x 30 mm Wooden Dowel		64
E4	Mirror Support		4
E9	Strap		1
F	8 x 50 mm Wooden Dowel		2
G	Structural Screw		14
H	Allen Key		1
I	Structural Screw Cover		12
J	Simple Minifix Screw		22
L	Cam Lock		22
M	Bore patch adhesive		14
N	10 x 10 mm Tack		28
O	4,5 x 45 mm Screw		16
P5	3,5 x 14 mm Screw		62
R	6,0 x 8 mm Screw		8
S	3,5 x 14 mm Screw		5
S2	Handle		7
VA	Metallic slide the left field		7
VB	Metallic slide the right field		7
VC	Drawer slide left		7
VD	Drawer slide right		7

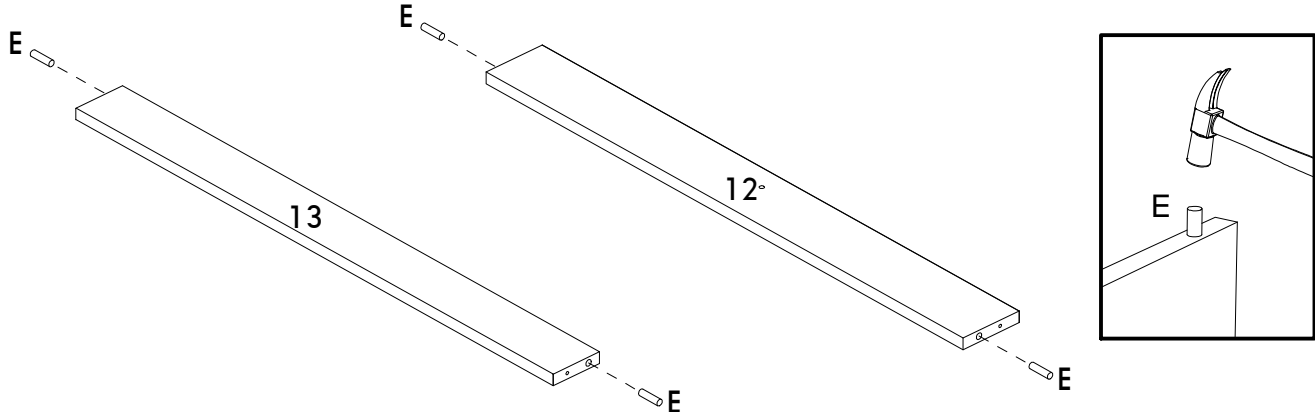
**** You will need a small mallet and a screwdriver for assembly.**

**** Some screws and wooden dowel may remain.**

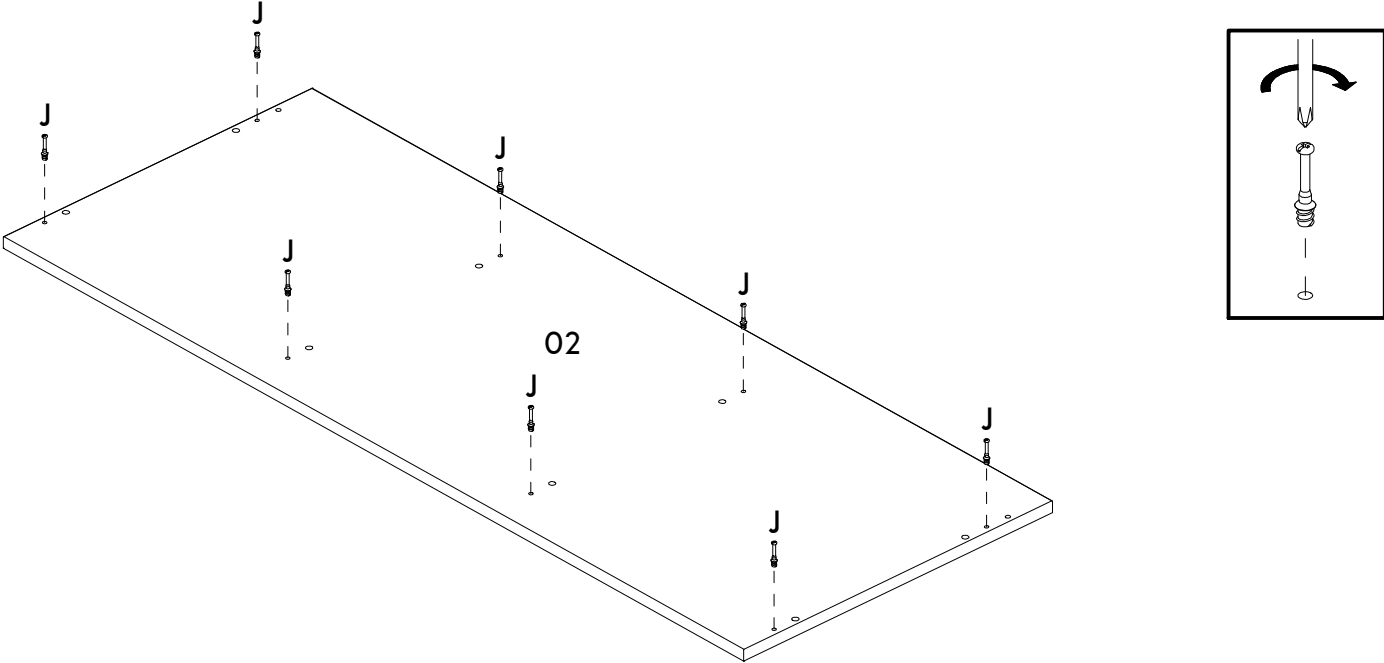
**** Wall plug and screw is supplied to attach strap to the wall.**



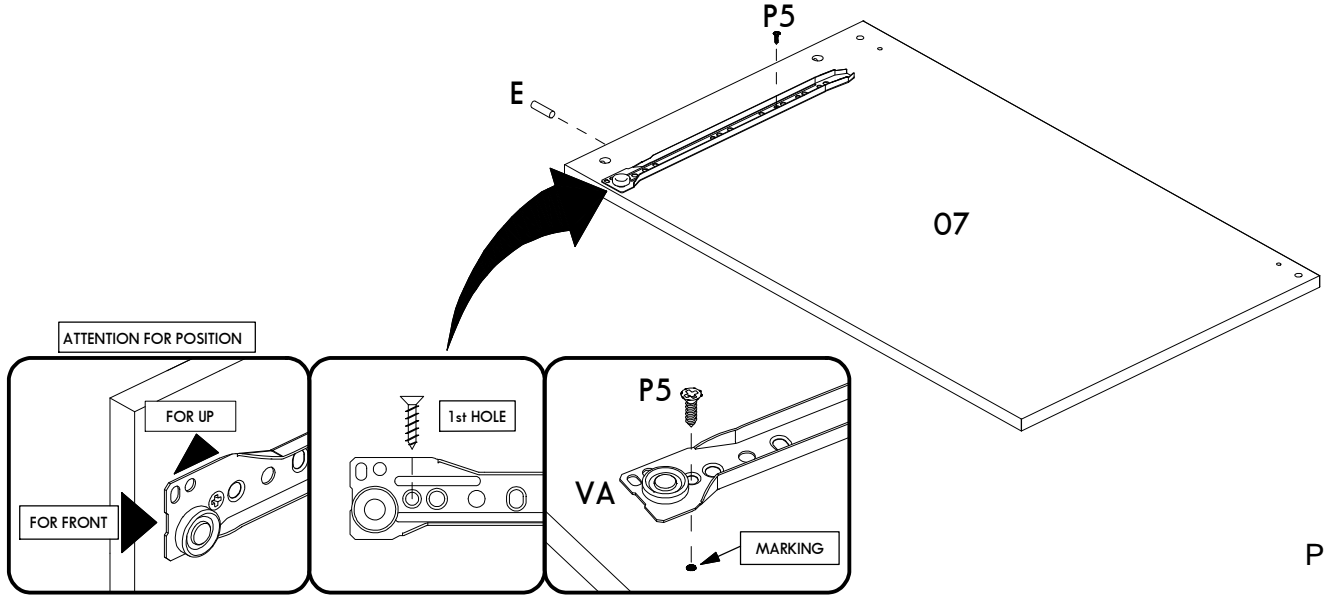
Step 1: Insert hardware part E using small mallet (not provided).
DO NOT use any power tools as this may damage the frame and will invalidate any claim.



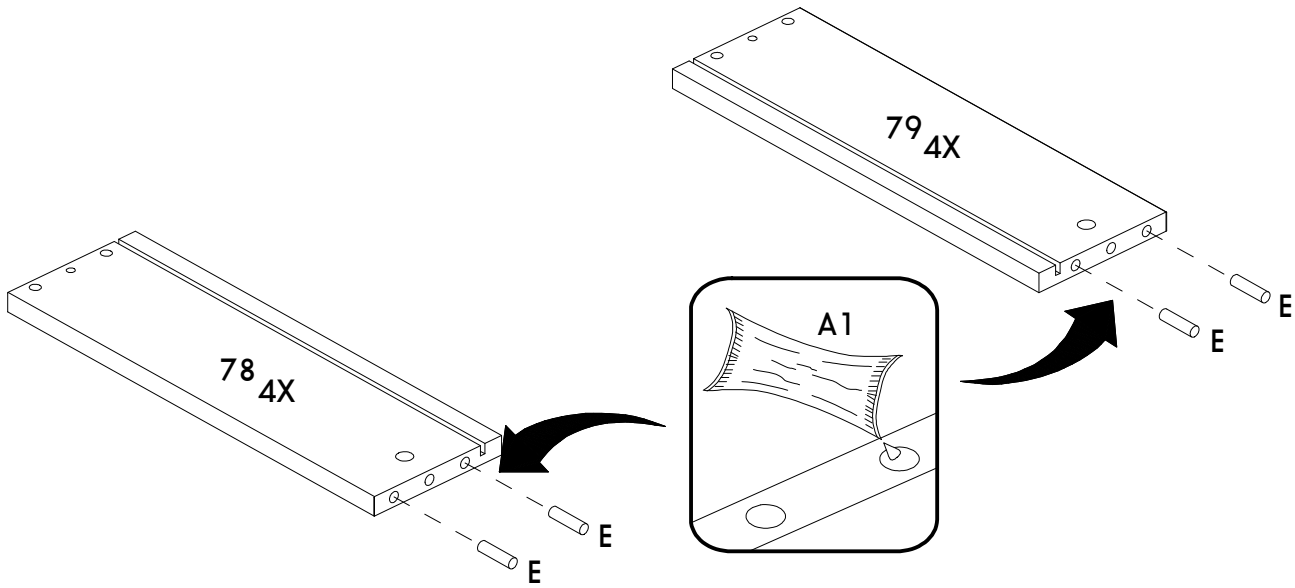
Step 2: Attach the hardware part J to the top (02) using the a screwdriver (not provided).
DO NOT use any power tools as this may damage the frame and will invalidate any claim.



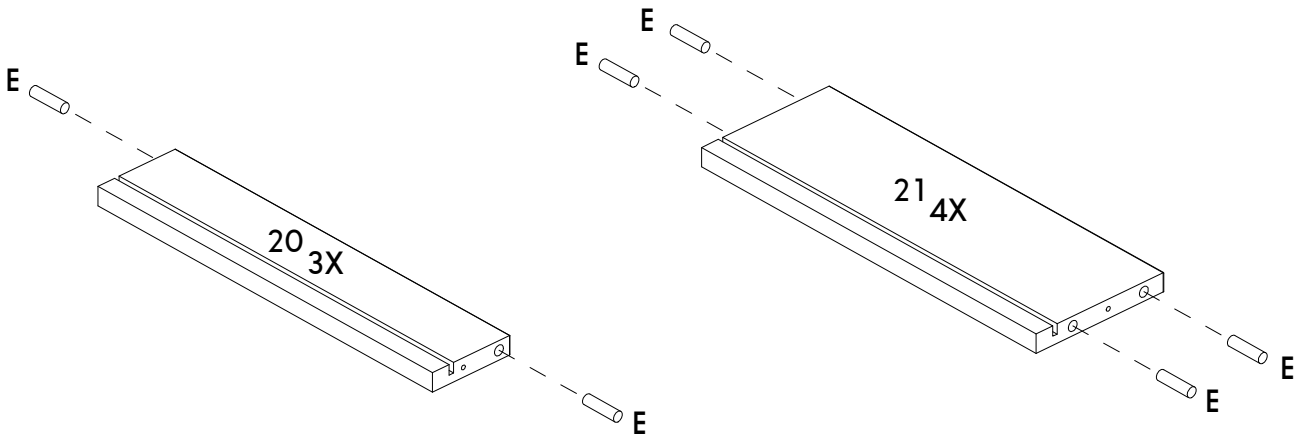
Step 3: Insert hardware part E using small mallet (not provided). Then attach the hardware part VA using the hardware part P5 and a screwdriver (not provided).
DO NOT use any power tools as this may damage the frame and will invalidate any claim.



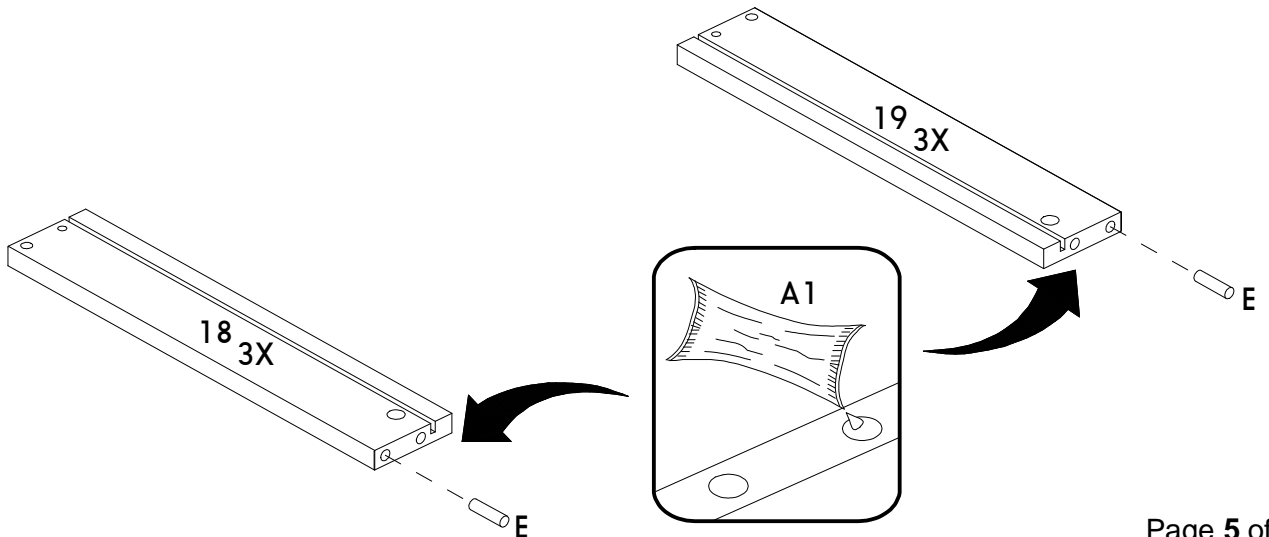
Step 4: Attach hardware part E using a small mallet (not provided) and to the hardware part A1.
DO NOT use any power tools as this may damage the frame and will invalidate any claim.



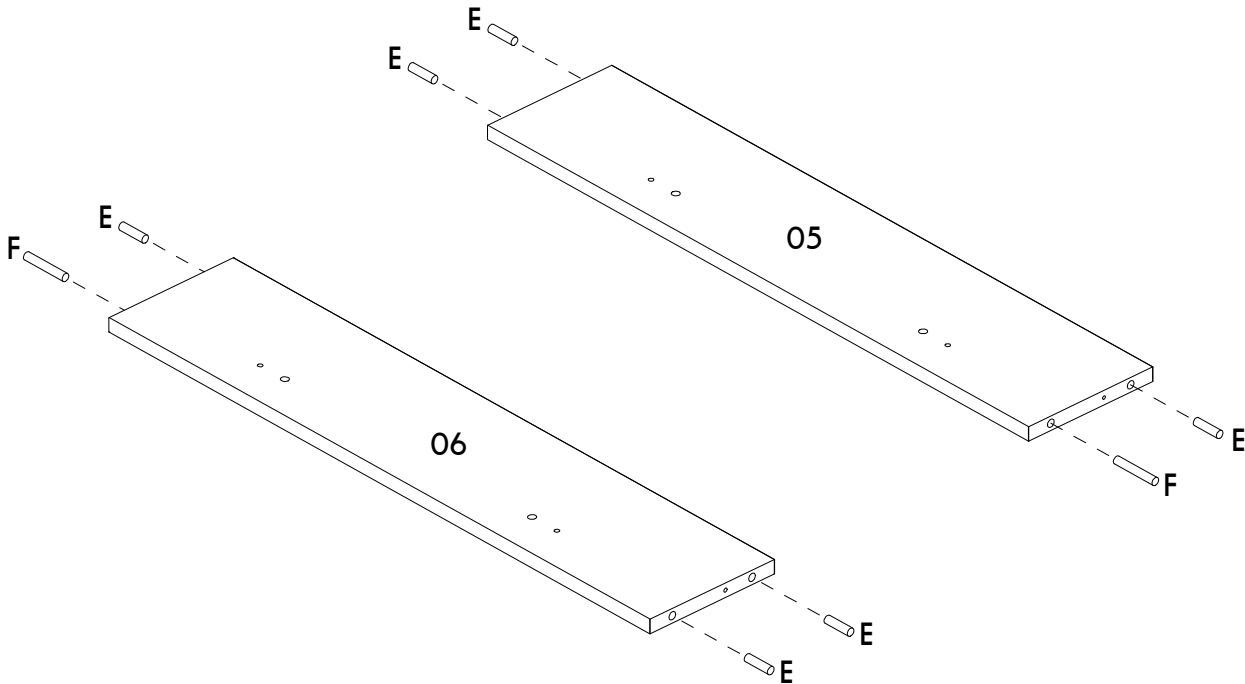
Step 5: Insert hardware part E using small mallet (not provided).
DO NOT use any power tools as this may damage the frame and will invalidate any claim.



Step 6: Attach hardware part E using a small mallet (not provided) and to the hardware part A1.
DO NOT use any power tools as this may damage the frame and will invalidate any claim.

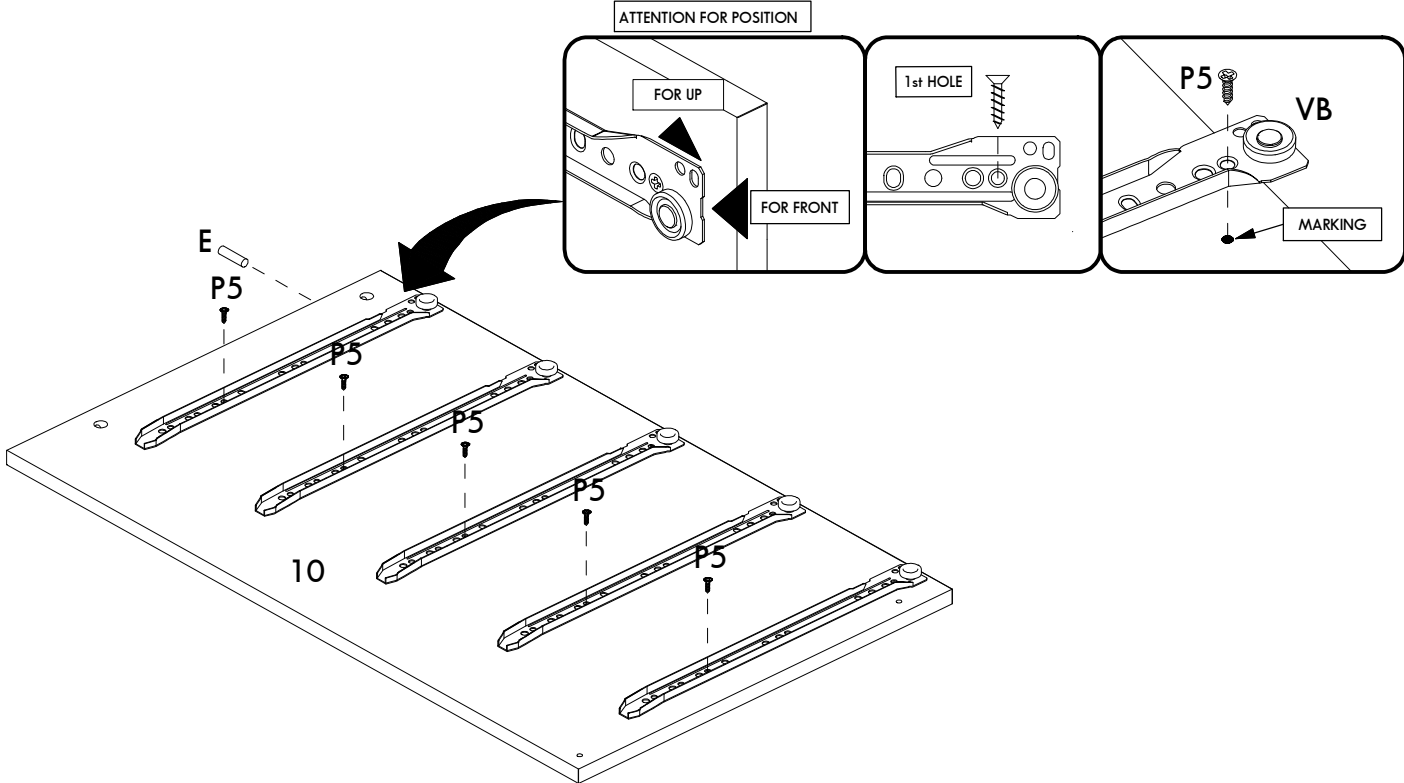


Step 7: Insert hardware parts E and F using small mallet (not provided).
DO NOT use any power tools as this may damage the frame and will invalidate any claim.

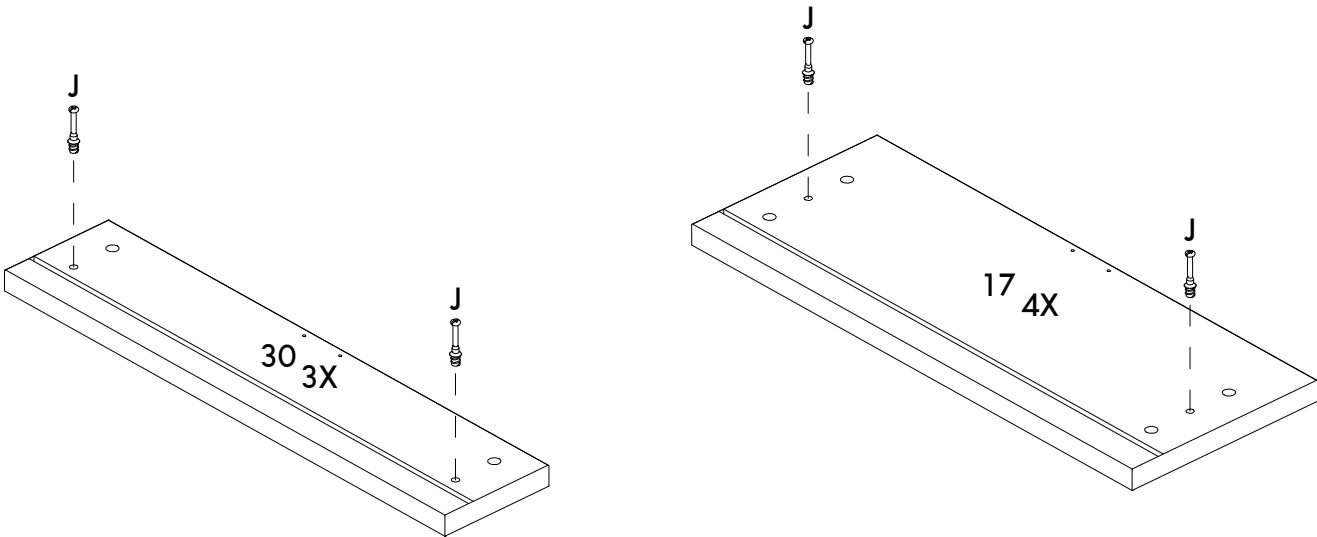


Step 8: Insert hardware part E using small mallet (not provided). Then attach the hardware part VB using the hardware part P5 and a screwdriver (not provided).

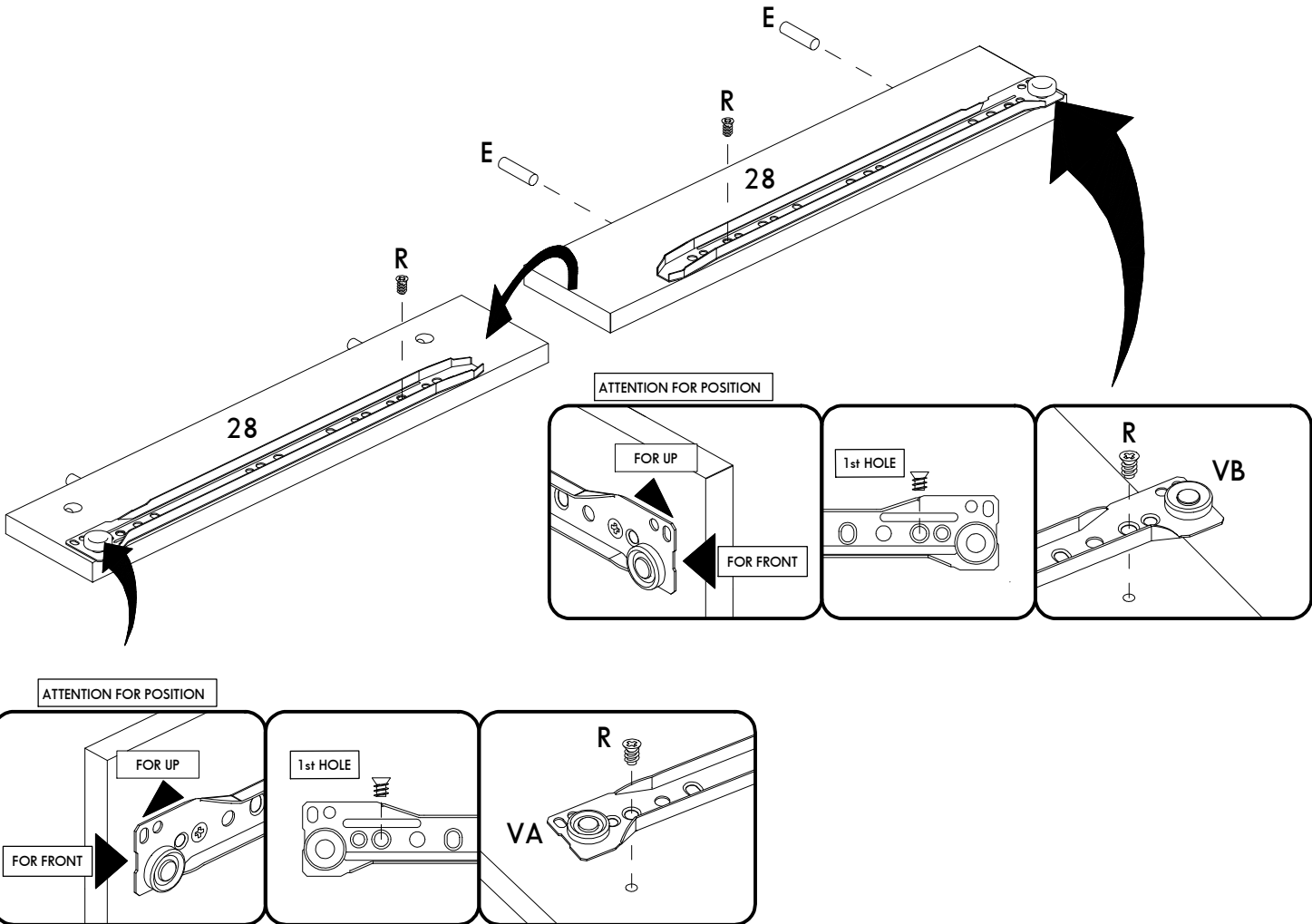
DO NOT use any power tools as this may damage the frame and will invalidate any claim.



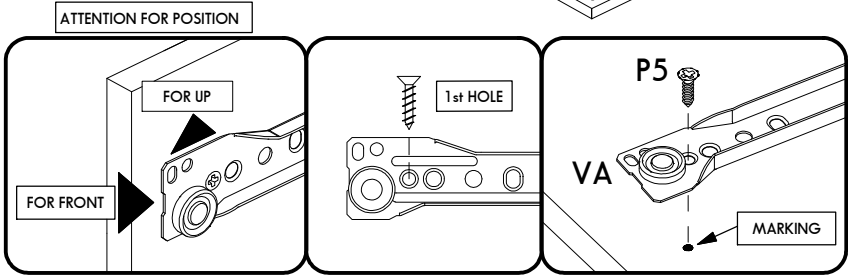
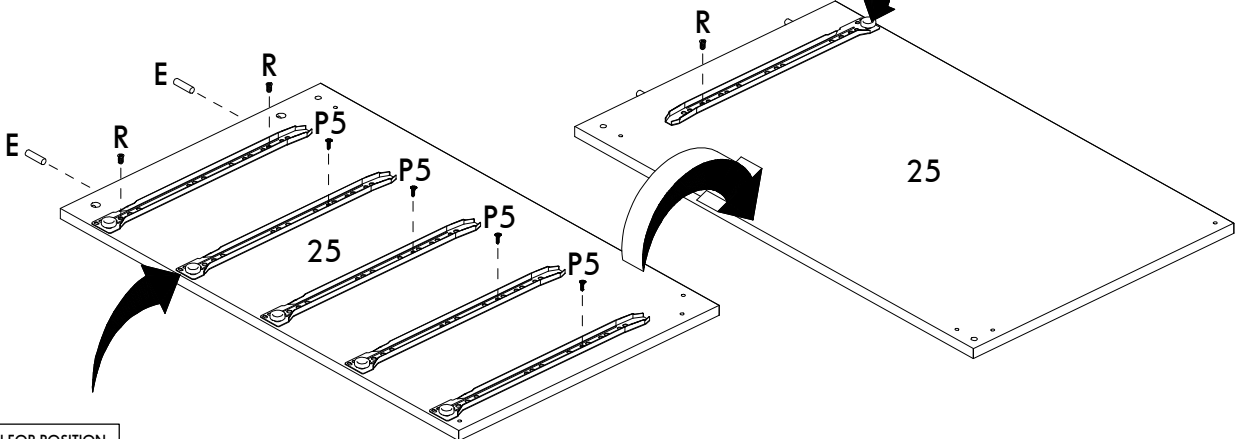
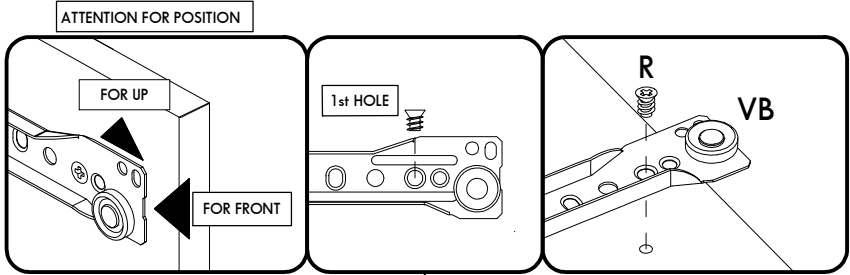
Step 9: Attach the hardware part J to the drawers front (17 and 30) using the a screwdriver (not provided). **DO NOT** use any power tools as this may damage the frame and will invalidate any claim.



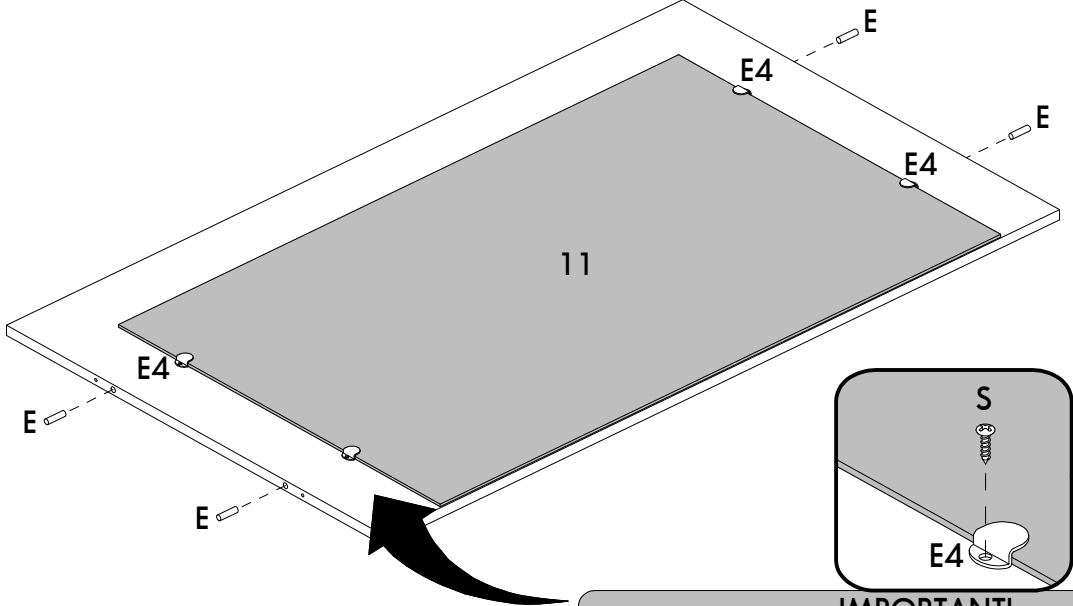
Step 10: Attach the hardware part E to the smaller division (28) using a small mallet (not provided) and attach the hardware part VB using the hardware part R and a screwdriver (not provided). Then rotate the part (28) and attach the hardware part VA using the hardware part R and a screwdriver (not provided). **DO NOT** use any power tools as this may damage the frame and will invalidate any claim.



Step 11: Attach the hardware part E to the larger division (25) using a small mallet (not provided) and attach the hardware part VA using the hardware parts R, P5 and a screwdriver (not provided). Then rotate the part (28) and attach the hardware part VB using the hardware part R and a screwdriver (not provided). **DO NOT use any power tools as this may damage the frame and will invalidate any claim.**



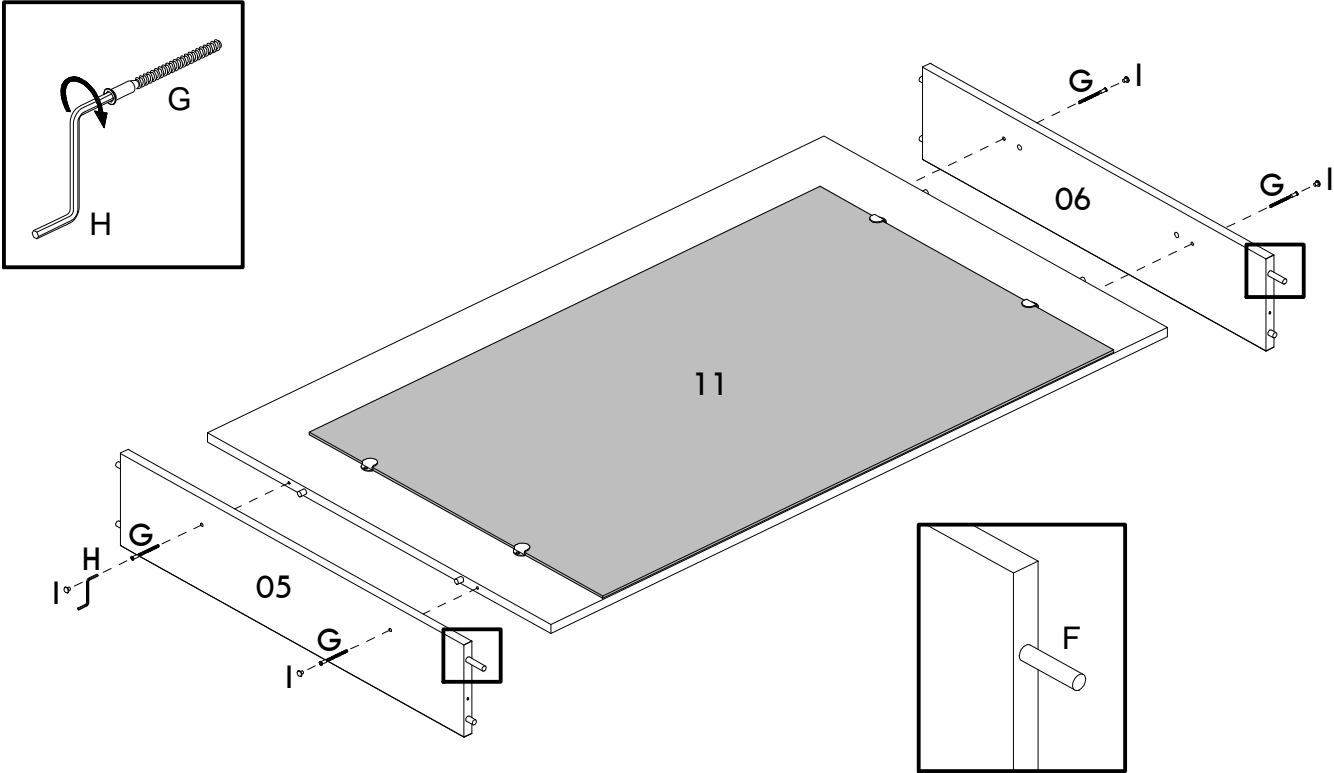
Step 12: Insert hardware part E using small mallet (not provided). Then attach the hardware part E4 using the hardware part S and a screwdriver (not provided). **DO NOT use any power tools as this may damage the frame and will invalidate any claim.**



IMPORTANT!
It's essential to fixing the accessory "E4" for safety.

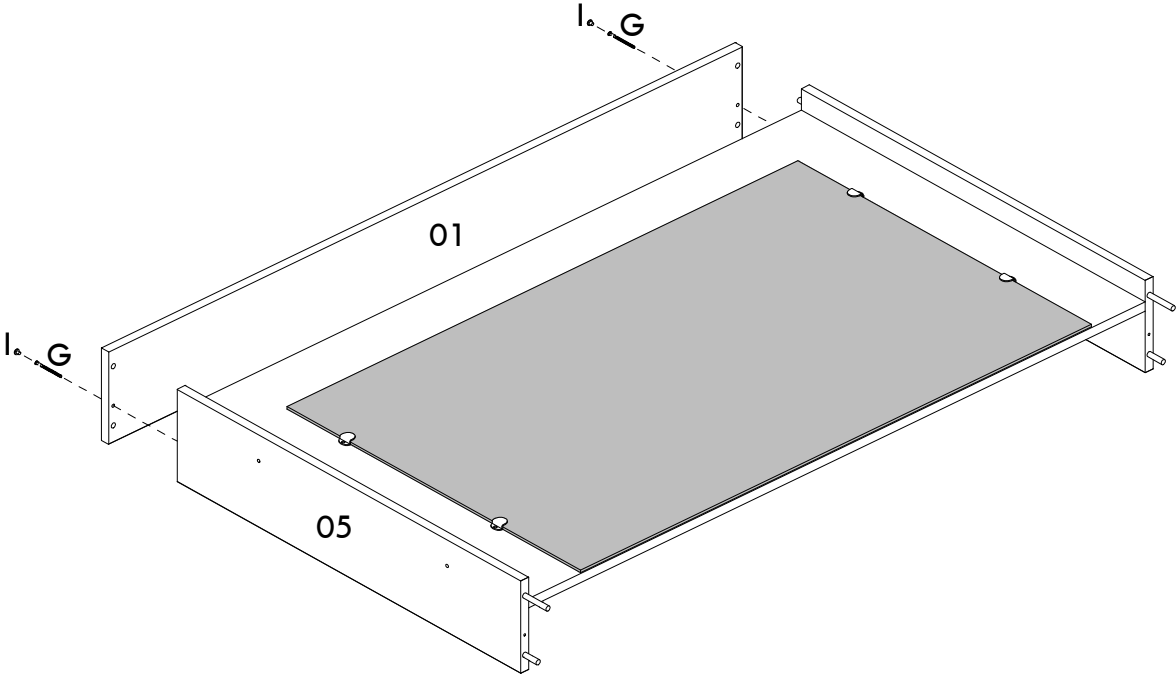
Step 13: Attach the upper left side (05) and the upper right side (06) to the mirrored panel (11) using hardware part G, H and I.

DO NOT use any power tools as this may damage the frame and will invalidate any claim.

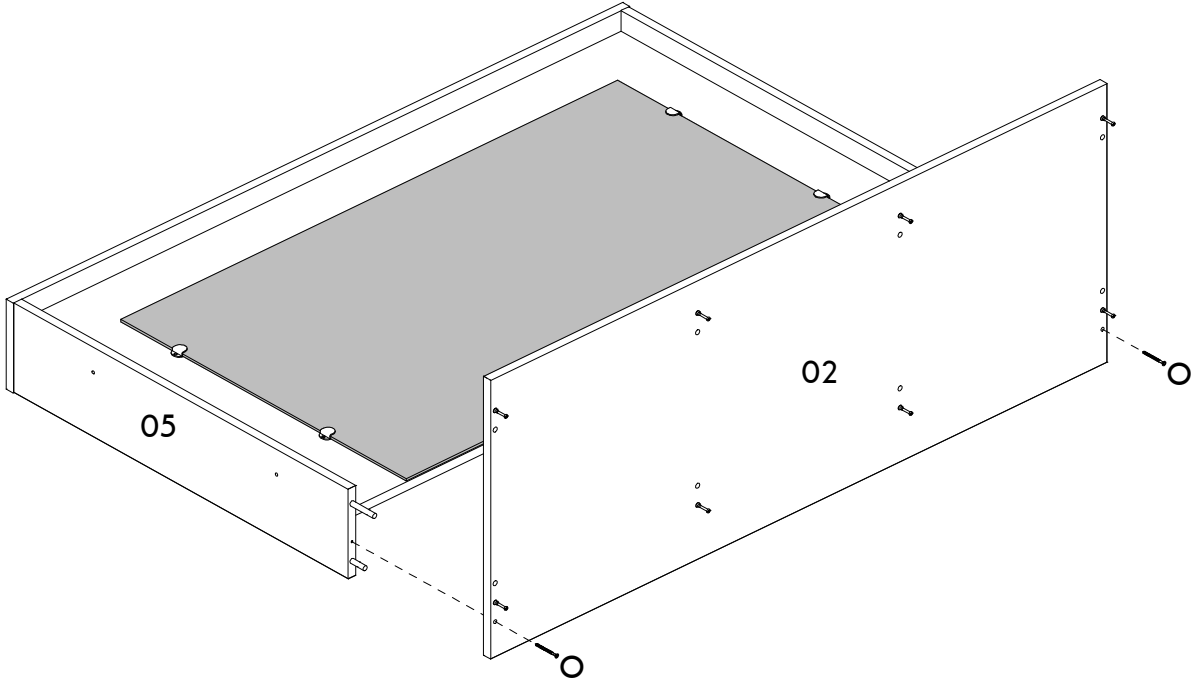


Step 14: Join the top base (01) to the assembled section using hardware part G, H and I.

DO NOT use any power tools as this may damage the frame and will invalidate any claim.



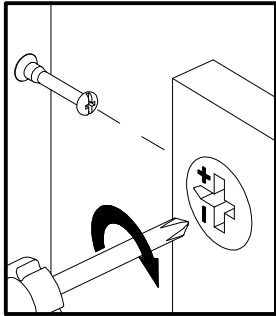
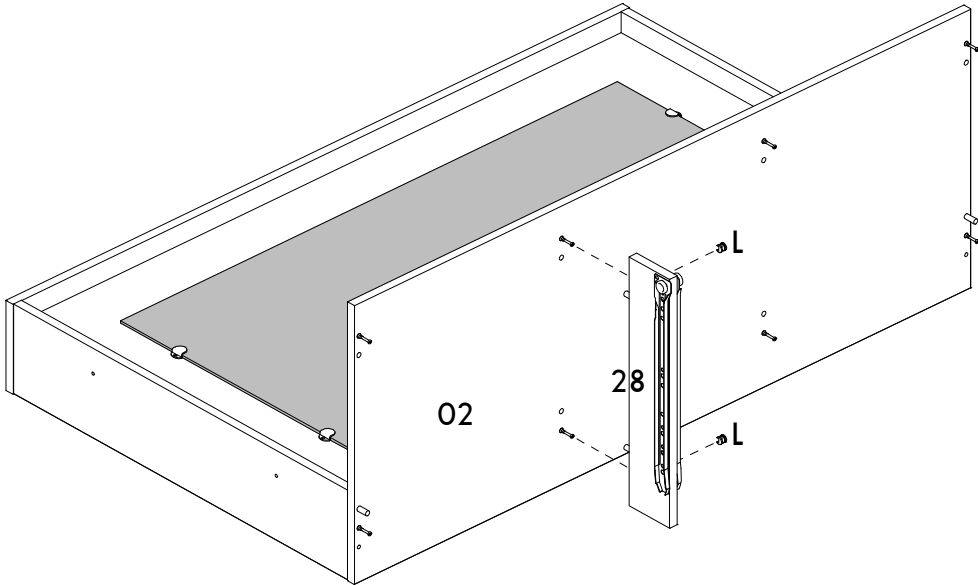
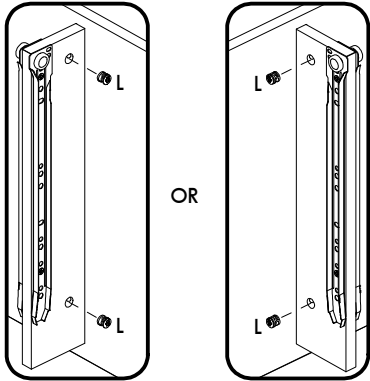
Step 15: Join the top (02) to the assembled section using hardware part O and a screwdriver (not provided). **DO NOT use any power tools as this may damage the frame and will invalidate any claim.**



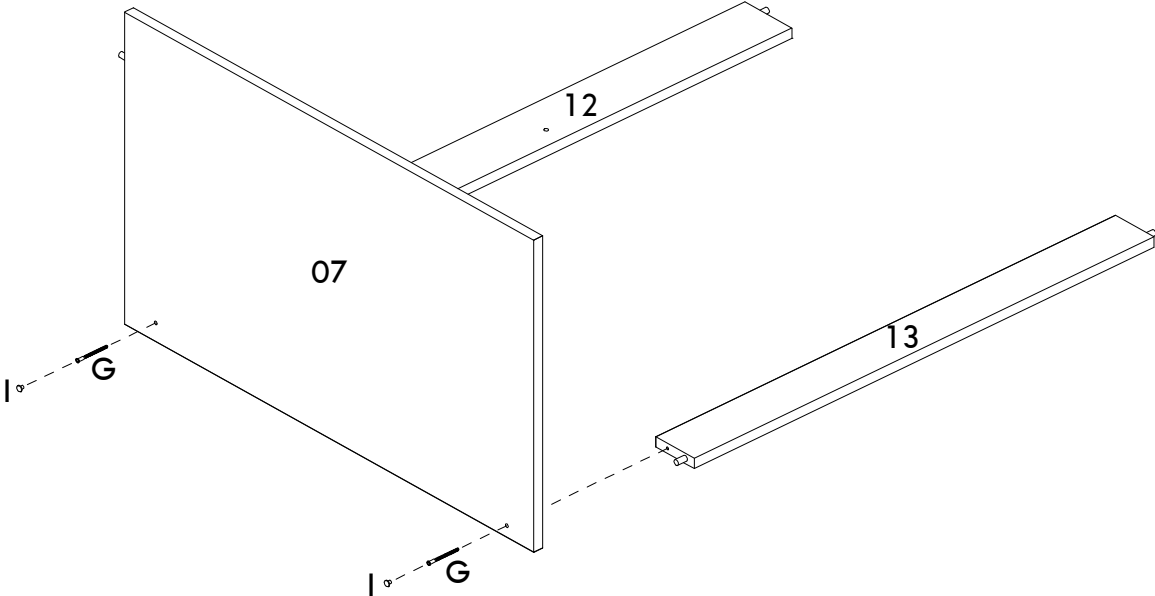
Step 16: Join the smaller division (28) to the assembled section using hardware part L and a screwdriver (not provided).

DO NOT use any power tools as this may damage the frame and will invalidate any claim.

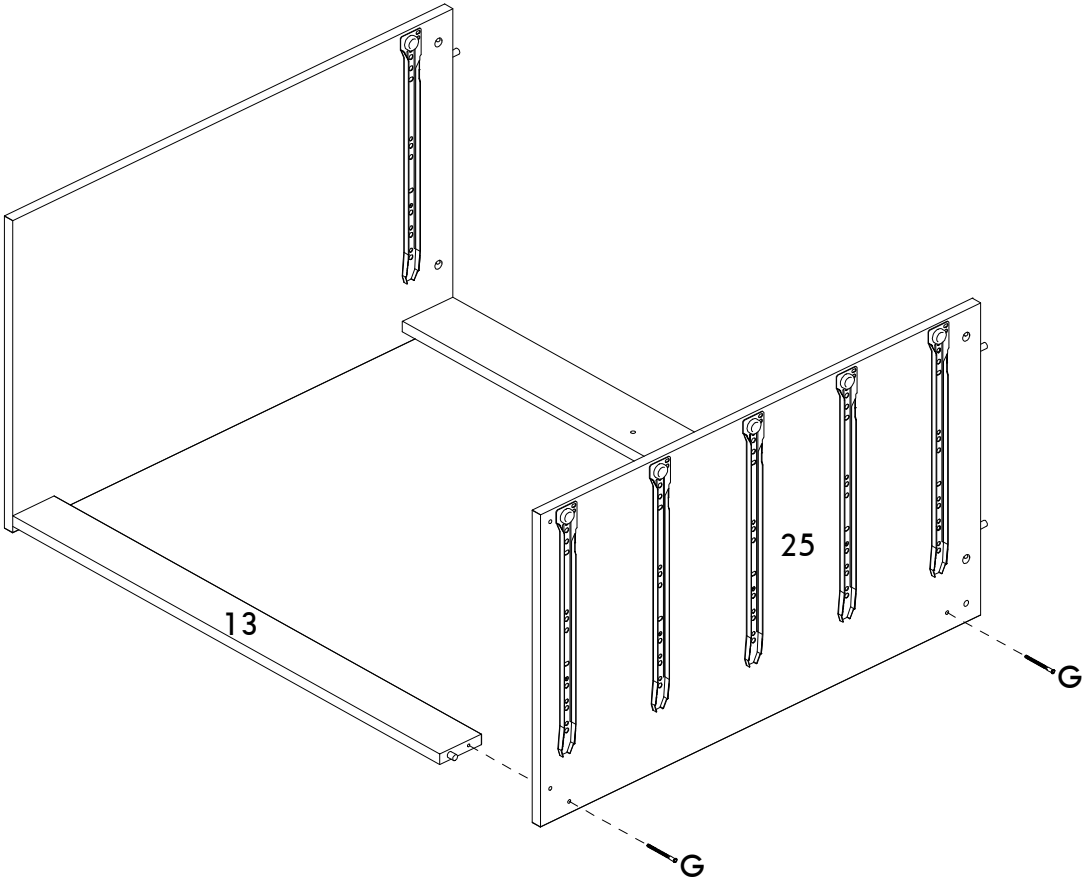
ATTENTION
The drum lock "L" can be on the left or right as details beside.



Step 17: Attach the lower left side (07) to the drawers tray (12) and lower plinth (13) using hardware part G, H and I.
DO NOT use any power tools as this may damage the frame and will invalidate any claim.

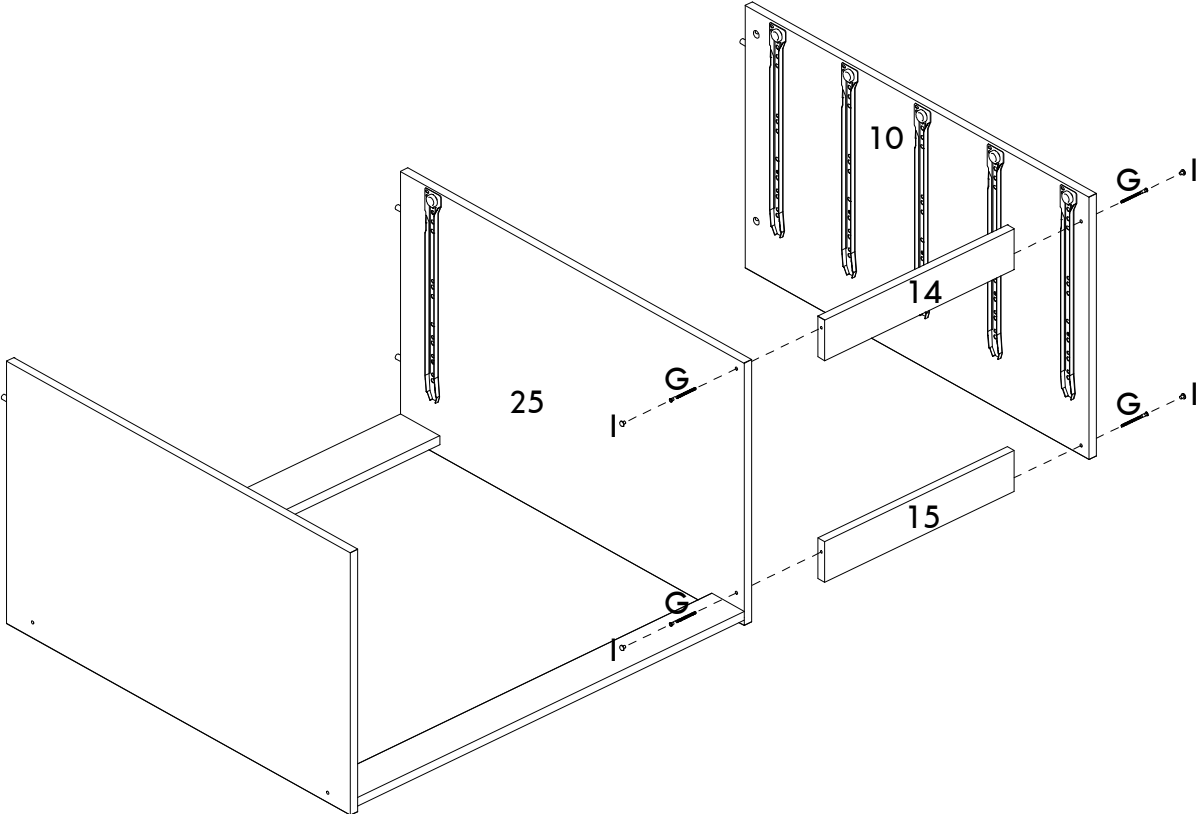


Step 18: Attach the larger division (25) to the drawers tray (12) and lower plinth (13) using hardware part G, H and I.
DO NOT use any power tools as this may damage the frame and will invalidate any claim.



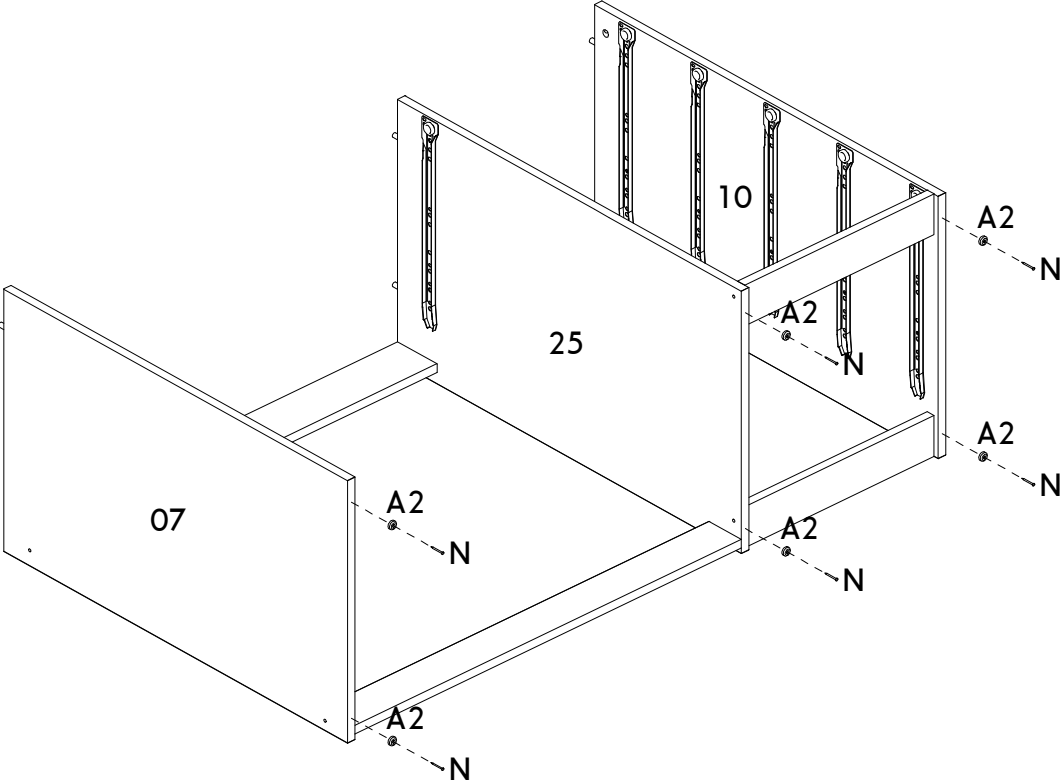
Step 19: Insert the lower tray front (14) and lower tray rear (15) to the larger division (25) using hardware part G, H and I. Then attach the lower right side (10) to the lower tray front (14) and lower tray rear (15) using hardware part G, H and I.

DO NOT use any power tools as this may damage the frame and will invalidate any claim.



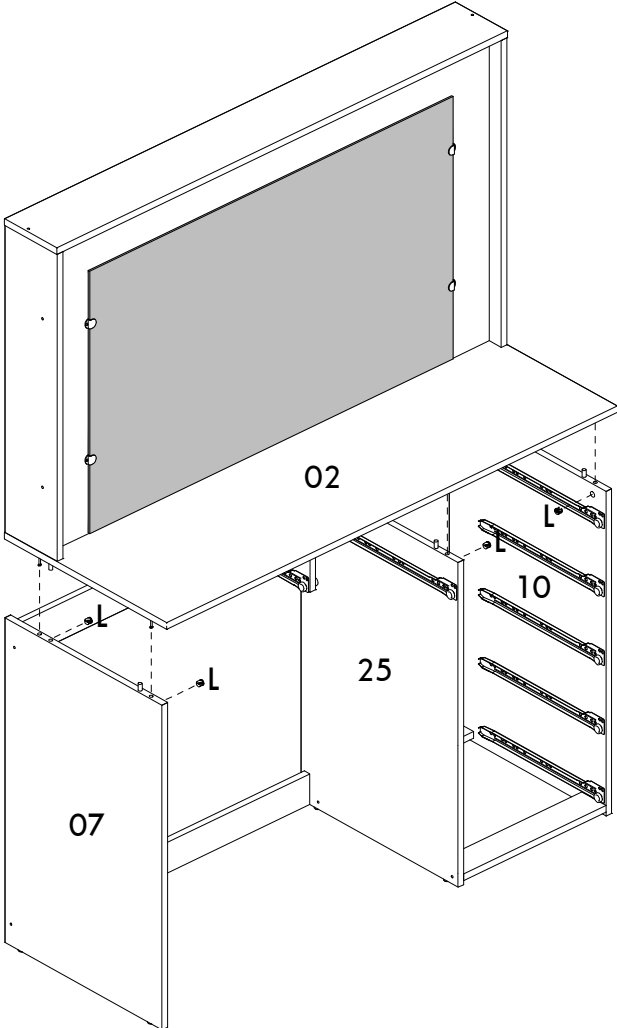
Step 20: Attach hardware part A2 to the o the lower left side (07), larger division (25) and lower right side (10) using hardware part N and small mallet (not provided).

DO NOT use any power tools as this may damage the frame and will invalidate any claim.



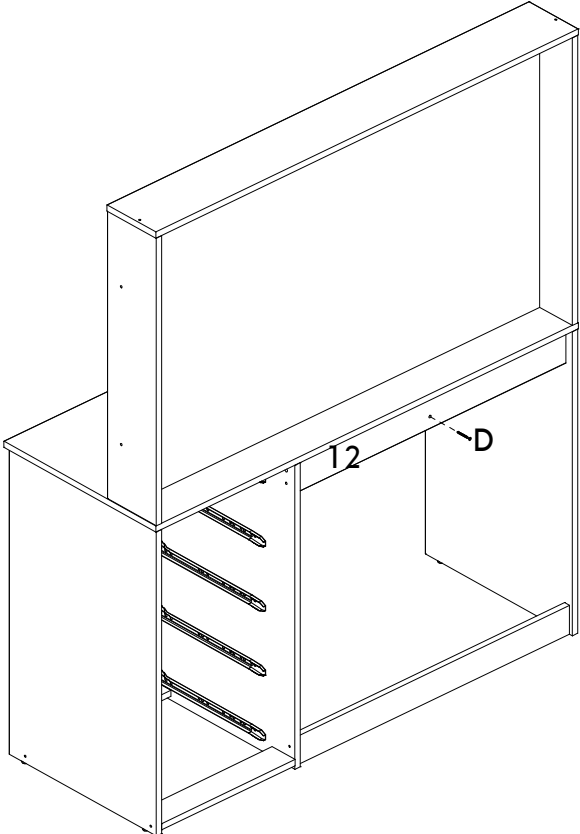
Step 21:Join the top (02) to the lower left side (07), larger division (25) and lower right side (10) using hardware part L and a screwdriver (not provided).

DO NOT use any power tools as this may damage the frame and will invalidate any claim.

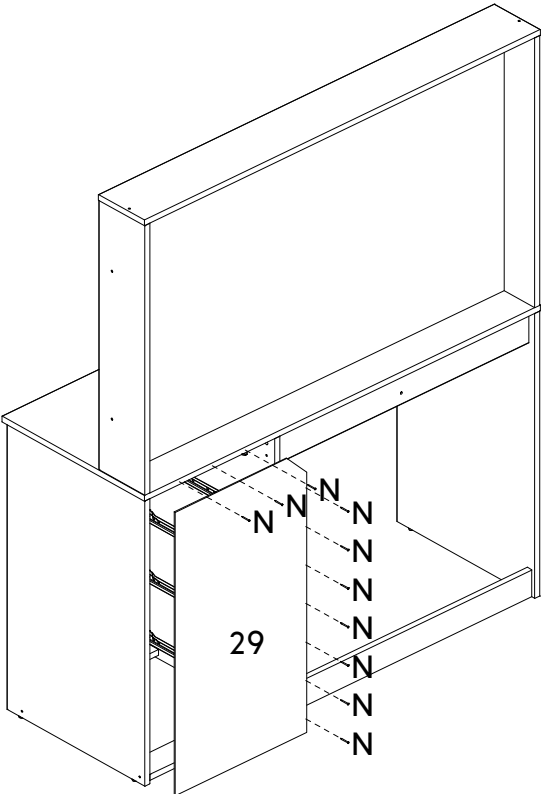


Step 22: Insert hardware part D to the drawers tray (12) using a screwdriver (not provided).

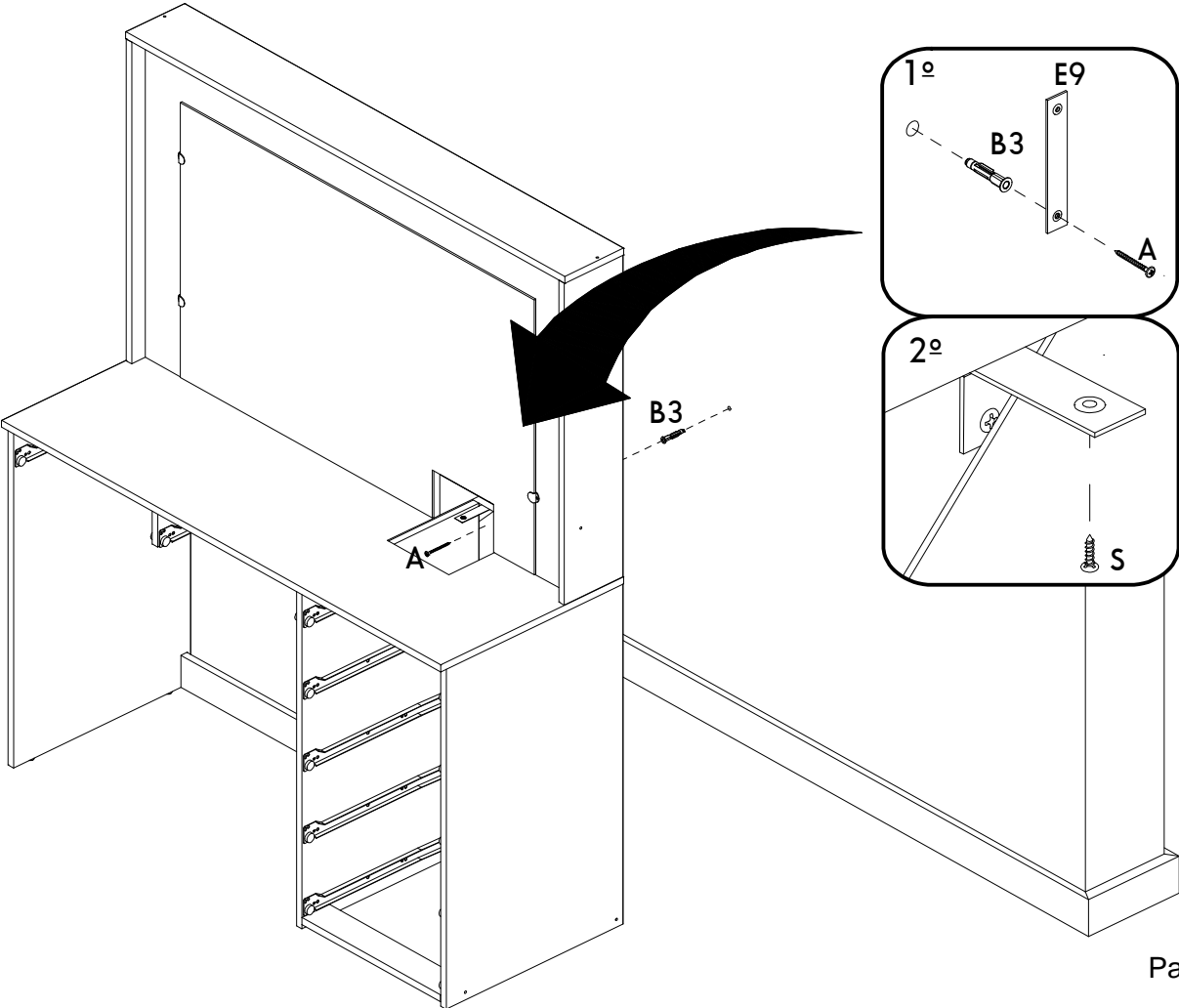
DO NOT use any power tools as this may damage the frame and will invalidate any claim.



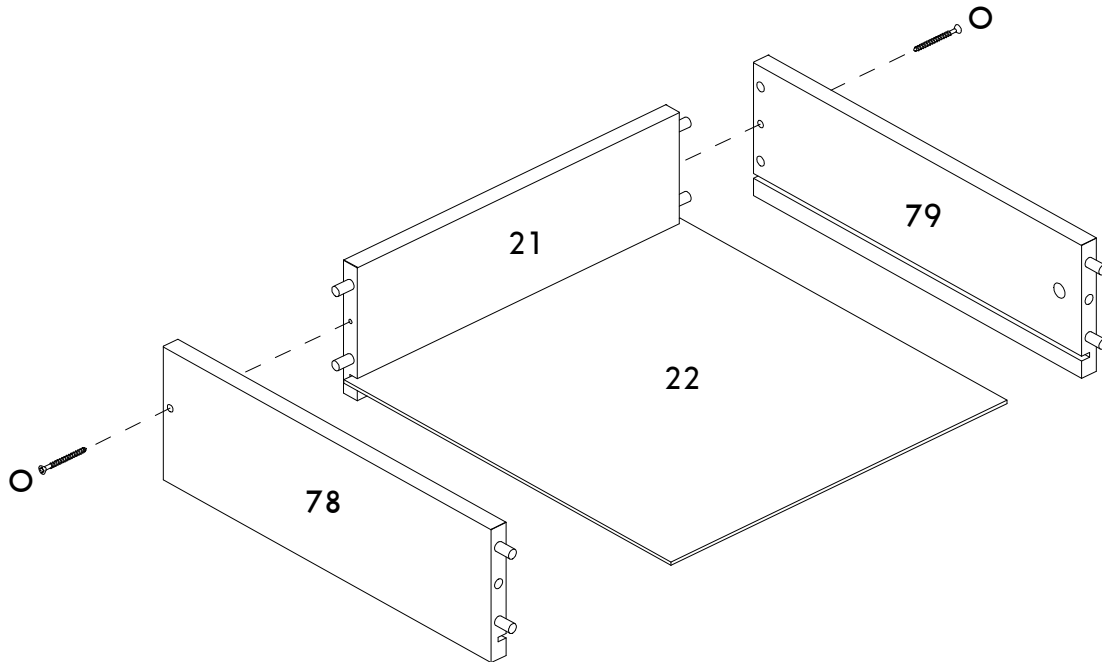
Step 23: Attach the backboard (29) to the assembled section using hardware part N using a small mallet (not provided).
DO NOT use any power tools as this may damage the frame and will invalidate any claim.



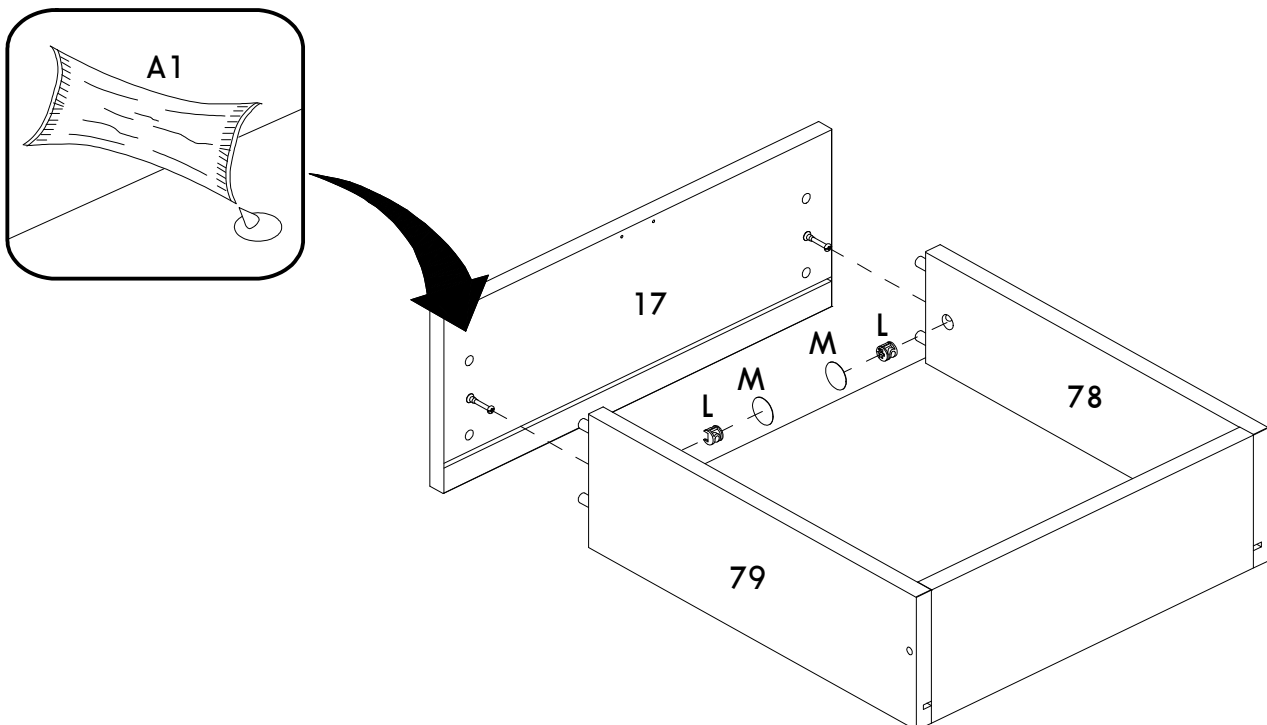
Step 24: To secure the item to the wall use hardware parts A, B3 and E9 using a drilling machine (not provided) and a screwdriver (not provided). Then attach hardware part S to the item with a screwdriver (not provided).
DO NOT use any power tools as this may damage the frame and will invalidate any claim.



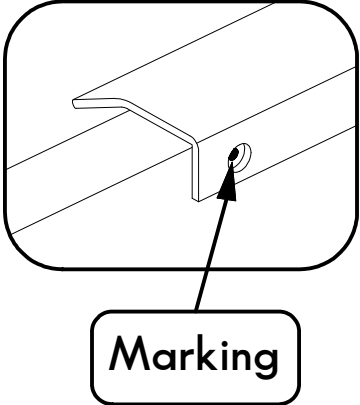
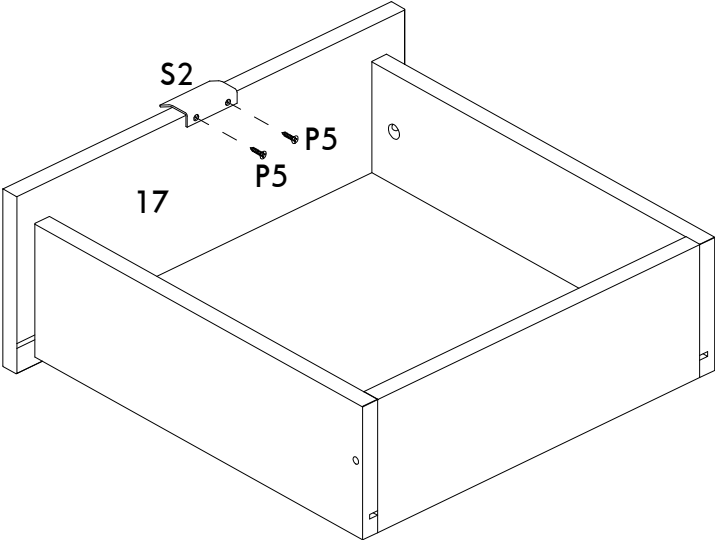
Step 25: Attach the left side of drawer larger (78) and right side of drawer larger (79) to the rear of drawer larger (21) and bottom of drawer (22) using hardware part O and a screwdriver (not provided).
DO NOT use any power tools as this may damage the frame and will invalidate any claim.



Step 26: Attach the larger drawer front (17) to the left side of drawer larger (78) and right side of drawer larger (79) using hardware part A1, L and a screwdriver (not provided). Then insert the hardware part M to the left side of drawer larger (78) and right side of drawer larger (79).
DO NOT use any power tools as this may damage the frame and will invalidate any claim.



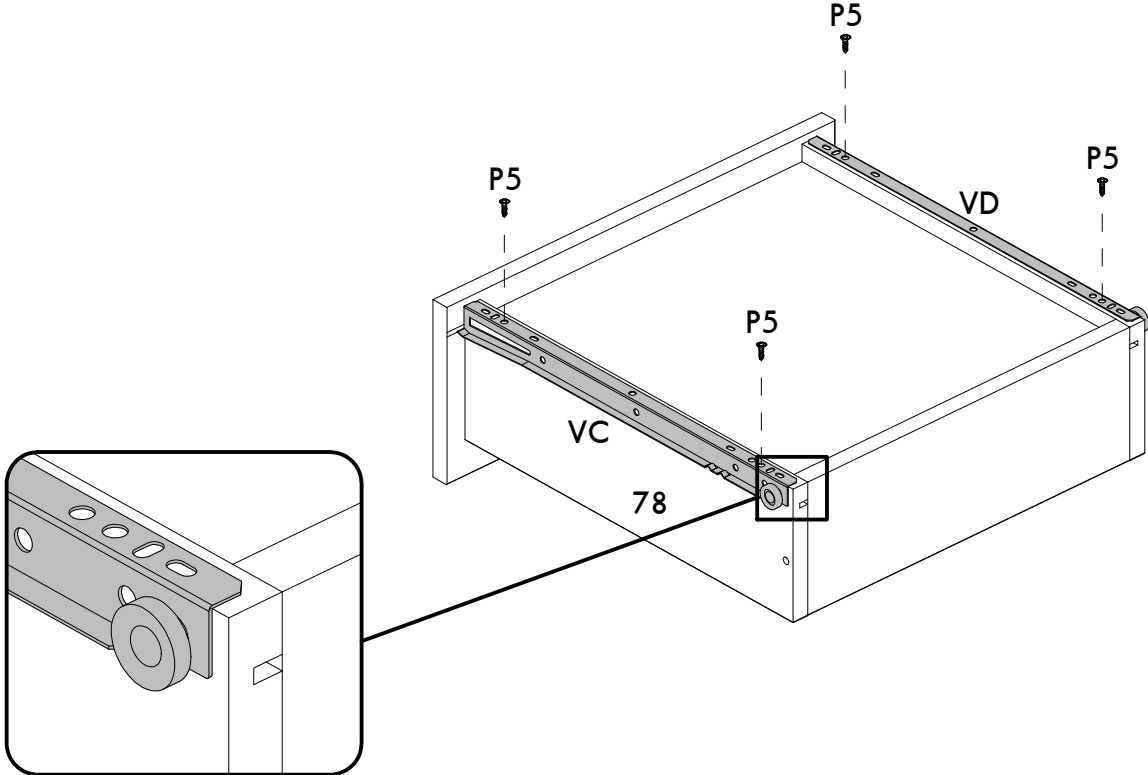
Step 27: Attach the handle S2 to the drawer front (17) using hardware part P5 and a screwdriver (not provided) **DO NOT use any power tools as this may damage the frame and will invalidate any claim.**



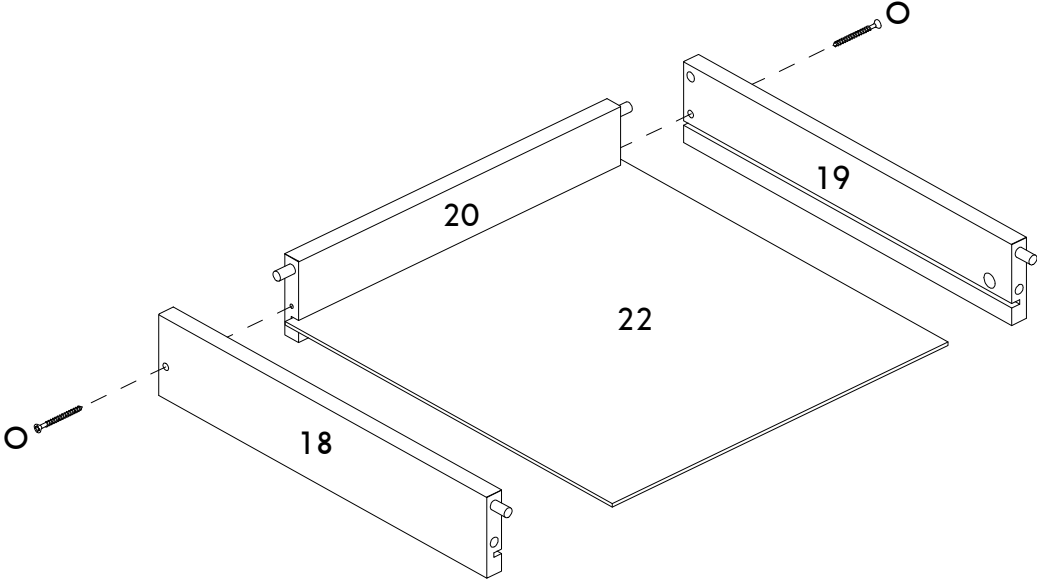
Step 28: Attach the hardware part VC and VD to the left side of drawer larger (78) and right side of drawer larger (79) using the hardware part P5 and a screwdriver (not provided).

DO NOT use any power tools as this may damage the frame and will invalidate any claim.

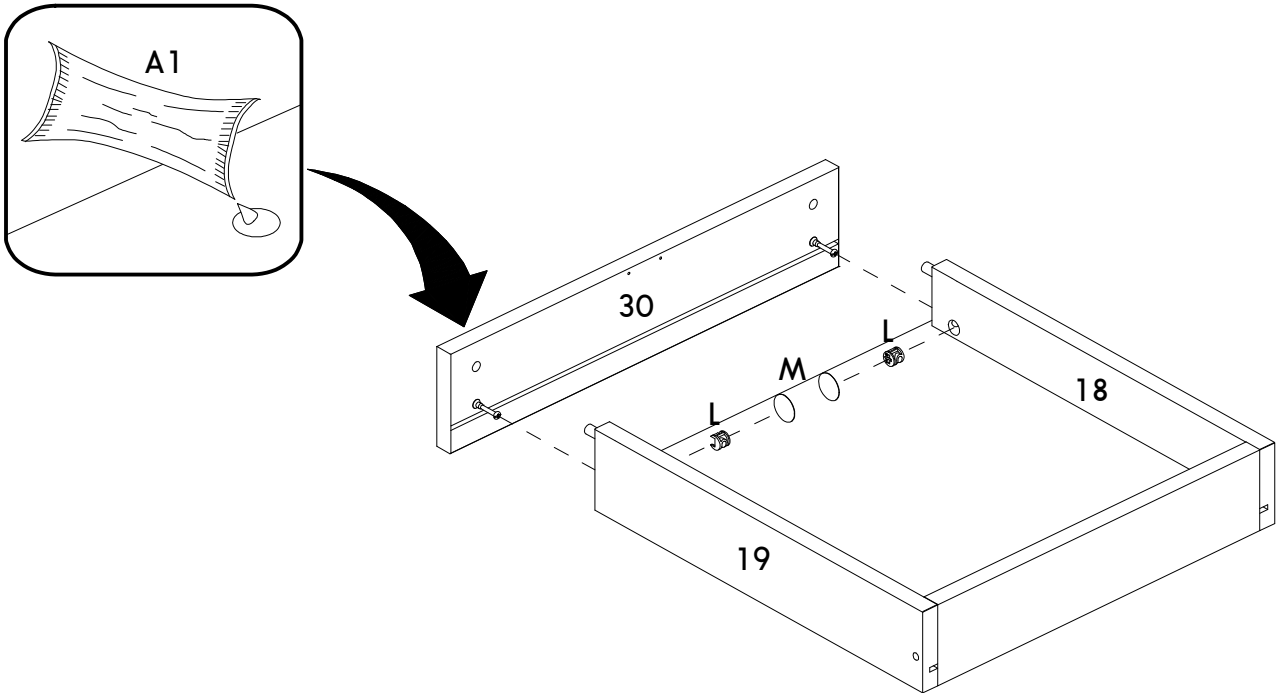
THE UNDERSIDE OF THE DRAWER



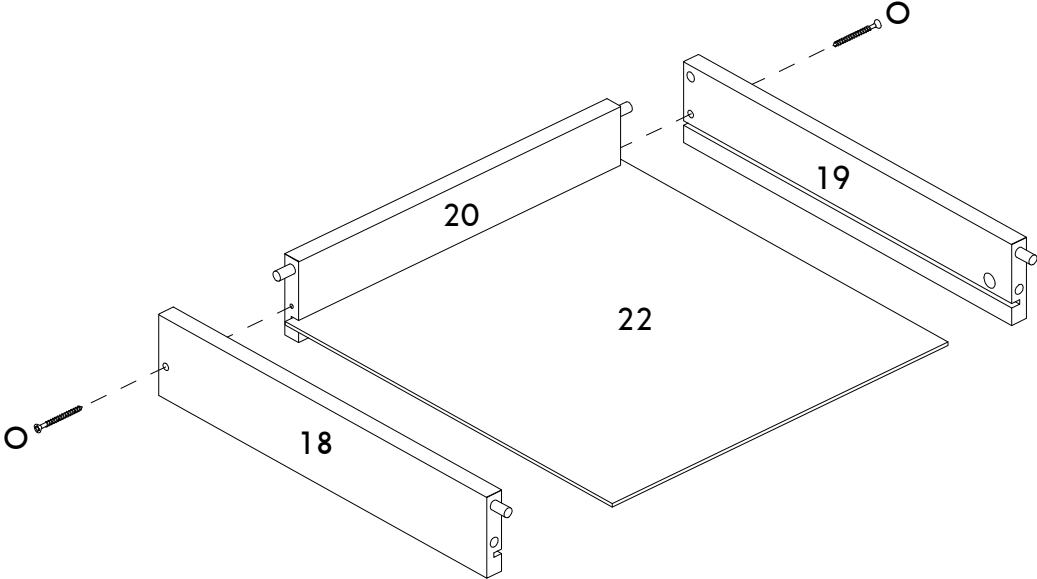
Step 29: Attach the left side of drawer smaller (18) and right side of drawer smaller (19) to the rear of drawer smaller (20) and bottom of drawer (22) using hardware part O and a screwdriver (not provided). **DO NOT use any power tools as this may damage the frame and will invalidate any claim.**



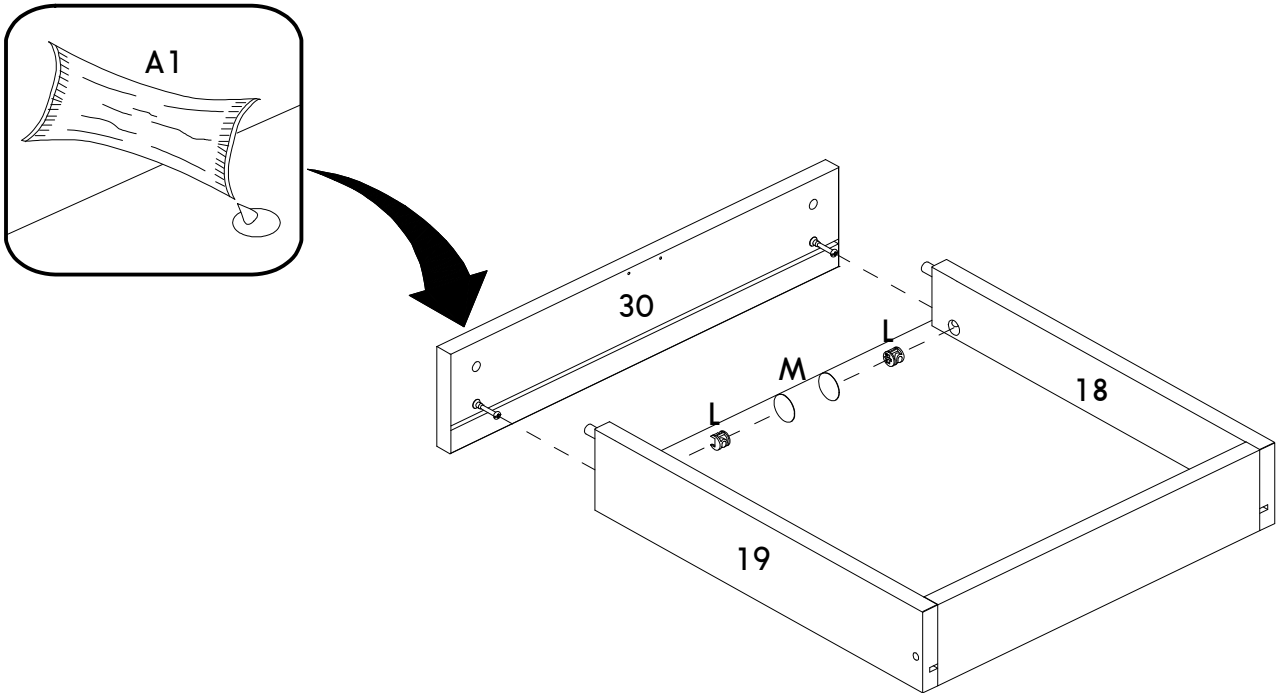
Step 30: Attach the smaller drawer front (30) to the left side of drawer smaller (18) and right side of drawer smaller (19) using hardware part A1, L and a screwdriver (not provided). Then insert the hardware part M to the left side of drawer smaller (18) and right side of drawer smaller (19). **DO NOT use any power tools as this may damage the frame and will invalidate any claim.**



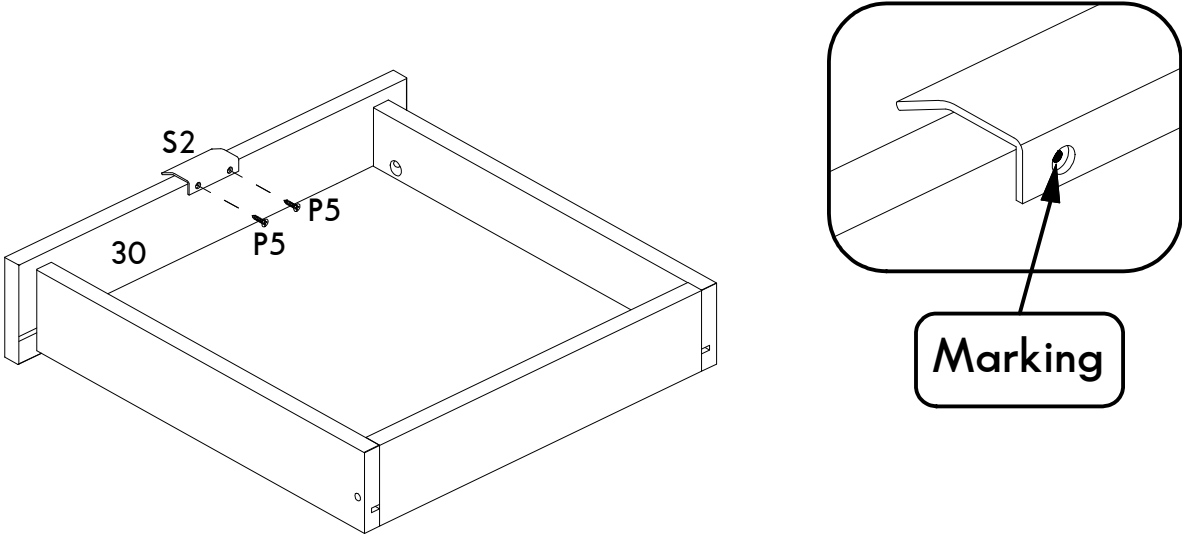
Step 29: Attach the left side of drawer smaller (18) and right side of drawer smaller (19) to the rear of drawer smaller (20) and bottom of drawer (22) using hardware part O and a screwdriver (not provided). **DO NOT use any power tools as this may damage the frame and will invalidate any claim.**



Step 30: Attach the smaller drawer front (30) to the left side of drawer smaller (18) and right side of drawer smaller (19) using hardware part A1, L and a screwdriver (not provided). Then insert the hardware part M to the left side of drawer smaller (18) and right side of drawer smaller (19). **DO NOT use any power tools as this may damage the frame and will invalidate any claim.**

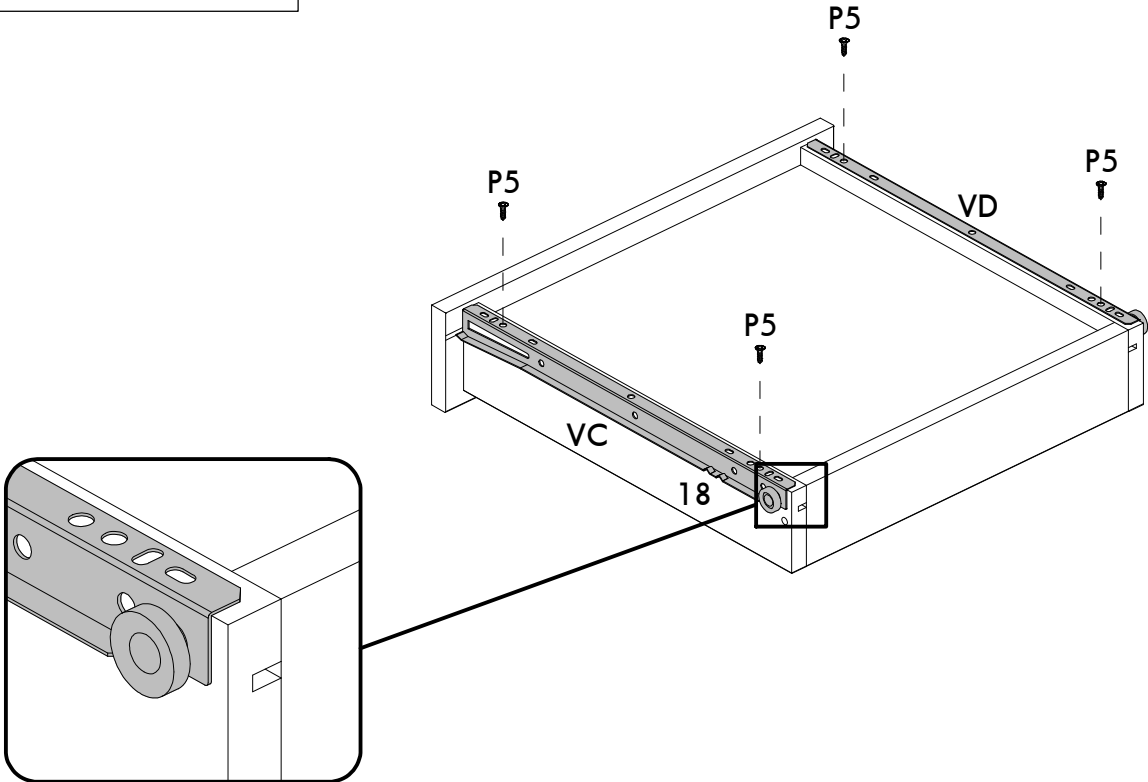


Step 31: Attach the handle S2 to the drawer front (30) using hardware part P5 and a screwdriver (not provided). **DO NOT use any power tools as this may damage the frame and will invalidate any claim.**



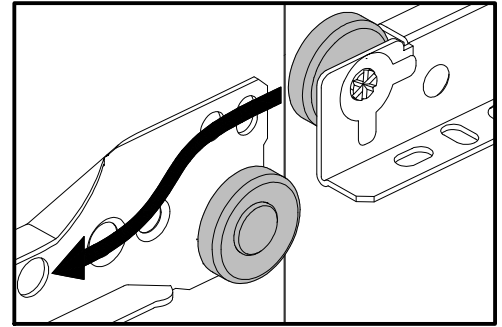
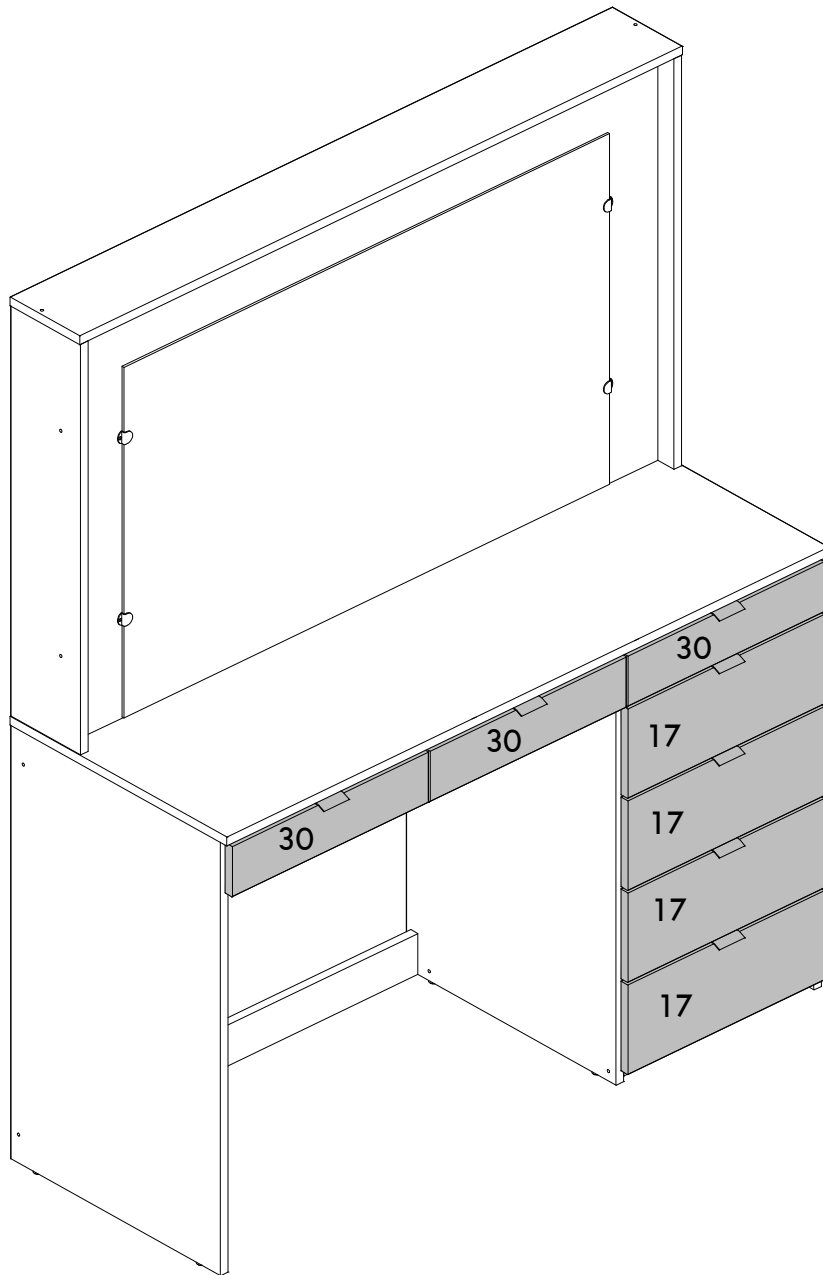
Step 32: Attach the hardware part VC and VD to the left side of drawer smaller (18) and right side of drawer smaller (19) using the hardware part P5 and a screwdriver (not provided). **DO NOT use any power tools as this may damage the frame and will invalidate any claim.**

THE UNDERSIDE OF THE DRAWER



Step 33: Insert the drawers on the metallic slide as shown bellow.

DO NOT use any power tools as this may damage the frame and will invalidate any claim.



Additional Information:

- For complete product information, images and dimension diagrams please visit the website www.birlea.com
- If you have any issues with your item please contact the retailer directly you purchased it from who will be able to resolve any issues with Birlea.
- Why don't you send us photos of your assembled furniture to info@birlea.com to be shared in our #birleahome feature on Instagram.



Birlea

Suppliers of inspiration