

# ASSEMBLY INSTRUCTIONS

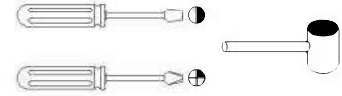
## 2 DOOR 1DRAWER ENTERTAINMENT CENTER

ASSEMBLY  
REQUIREMENTS

2 – Person  
Assembly

2.5Hour  
Assembly Time  
(Approximate)

Tool Required  
(Not Provided)



### Thank you for purchasing our product!

Please refer and use this assembly instruction to assemble the product.

Contact our customer service department in case there are any missing or damage parts or hardware. Replacement parts are normally shipped within 2 or 3days.



**PRODUCTS PURCHASED THROUGH OUR AUTHORIZED VENDORS ONLY ARE ELIGIBLE FOR REPLACEMENT PARTS**

We appreciate your business!

**THIS PRODUCT IS FOR INDOOR AND HOUSEHOLD USE ONLY – NOT FOR COMMERCIAL USE.**

#### ASSEMBLY PREPARATION:

1. Remove all packaging materials, staples and packing straps from the carton.
2. Refer to Part List and Hardware List and ensure parts and hardware are correct before assembly. Contact customer service for missing parts.
3. Place all wooden parts on clean, flat and soft surface (e.g. carpet or rug) to prevent scratch and damage to parts.

#### SAFETY PRECAUTION:

1. Keep ALL HARDWARE PART OUT OF REACH OF CHILDREN.
2. DISPOSE PLASTIC PACKAGING MATERIAL IMMEDIATELY TO AVOID ANY RISK OF SUFFOCATION TO CHILDREN AND ANIMALS

#### TIPS FOR ASSEMBLY:

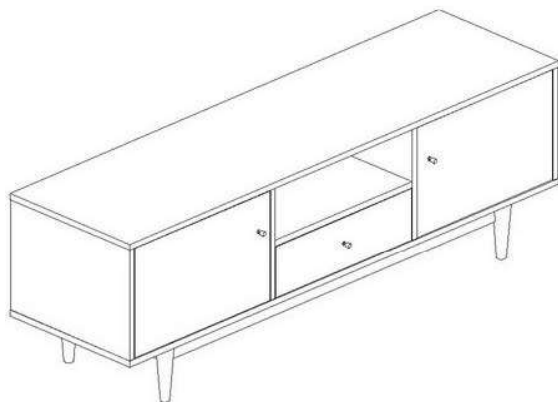
1. Allow ample room for assembly and assemble the product near where the product will be placed.
2. Assemble the product on a surface that does not scratch or damage the exterior glass and finish of the furniture.
3. Identify all the parts, hardware and quantities required for each step.
4. During assembly, do not over-tighten any fittings as this may cause damage.
5. DO NOT USE POWER TOOLS TO ASSEMBLE THIS PRODUCT.
6. Always place the product on a flat, level surface.
7. Do not sit or stand on the partially assembled product; only use the product for which it is intended.

#### CARE AND MAINTENANCE:














- Wipe clean with a soft, dry cloth; avoid the use of harsh chemicals or household cleaners as they may damage the exterior finish of the furniture.
- **Hardware may loosen over time. Periodically, check that all connections are tight; re-tighten as necessary.**
- Solid wood is impacted by heat and humidity fluctuations which may cause small joint separations or hairline cracks; place the furniture away from direct sunlight and air conditioning vents, heating vents or units to protect the furniture.











# ASSEMBLY INSTRUCTIONS

## 2 DOOR 1DRAWER ENTERTAINMENT CENTER



### HARDWARE LIST

NO	DESCRIPTION	QTY	EXTRA
A	 CHIPBOARD SCREW M3 x 16MM	12	1
B	 CHIPBOARD SCREW M4 x 16MM	16	1
C	 WOOD DOWEL M8 x 35MM	20	1
D	 WOOD DOWEL M6 x 30MM	8	1
E	 CAM-LOCK 15x 12	22	1
F	 CAM-BOLT 5x 25	22	1
G	 CAM-LOCK COVER 17x 5	22	1
H1	 DRAWER SLIDE 400MM	1SET	
H2			
I	 HINGES H7	4	
J	 PANHEAD CHIPBOARD SCREW M4 x 16MM (BLACK)	32	1
K	 PANHEAD SCREW M4 x 25MM	3	1
L	 HANDLE	3	
M	 CHIPBOARD SCREW M4 x 38MM	12	1
N	 SHELF PIN	8	1

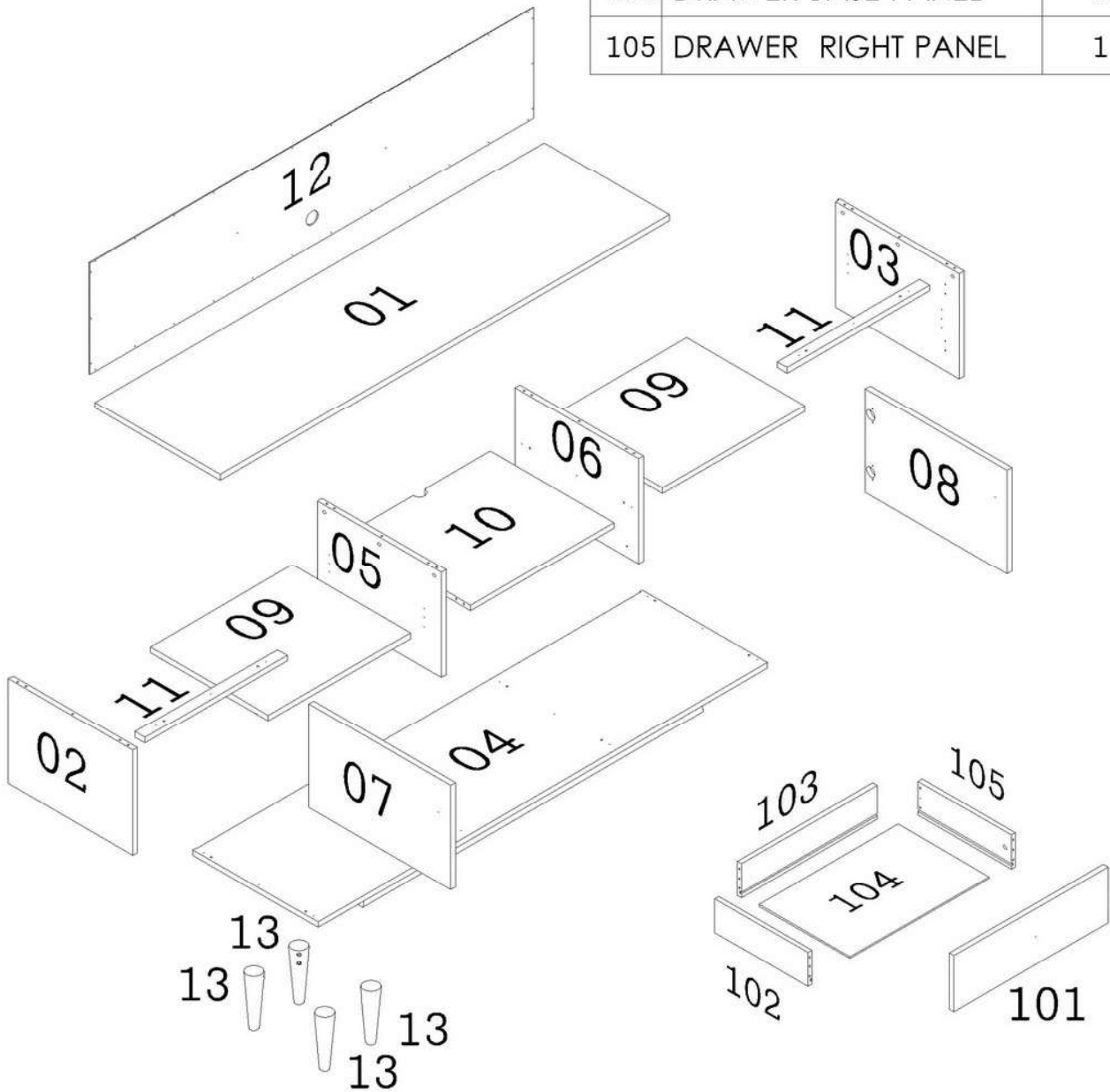
NO	DESCRIPTION	QTY	EXTRA
O	 JCBC SCREW M6 x 50MM	8	
P	 ALLEN KEY M4	1	1
Q	 FLAT WASHER M6	8	1
R	 SPRING WASHER M6	8	1
T	 WOOD DOWEL M8 x 25MM	4	
U	 CHIPBOARD SCREW M4 x 32MM	6	
W	 CHIPBOARD SCREW M4 x 25MM	4	1
X	 FLAT WASHER M4	2	
Y	 WALL ANCHOR	2	
Z	 SAFETY STRAP 150mm	2	

\*\* EXTRA HARDWARE FOR SPARE USE

# PARTS LIST

NO	PART NAME	QTY
1	TOP PANEL	1
2	LEFT PANEL	1
3	RIGHT PANEL	1
4	BOTTOM PANEL	1
5	LEFT MIDDLE PANEL	1
6	RIGHT MIDDLE PANEL	1
7	LEFT DOOR	1
8	RIGHT DOOR	1

NO	PART NAME	QTY
9	SHELF PANEL	2
10	CENTER PANEL	1
11	TOP RAIL	2
12	BACK PANEL	1
13	POST	4
101	DRAWER FRONT PANEL	1
102	DRAWER LEFT PANEL	1
103	DRAWER BACK PANEL	1
104	DRAWER BASE PANEL	1
105	DRAWER RIGHT PANEL	1



## PARTS IN BOX 1

NAME: LEFT PANEL	QTY: 1Pc	CODE: 2
NAME: RIGHT PANEL	QTY: 1Pc	CODE: 3
NAME: LEFT MIDDLE PANEL	QTY: 1Pc	CODE: 5
NAME: RIGHT MIDDLE PANEL	QTY: 1Pc	CODE: 6
NAME: LEFT DOOR	QTY: 1Pc	CODE: 7
NAME: RIGHT DOOR	QTY: 1Pc	CODE: 8
NAME: SHELF PANEL	QTY: 2Pcs	CODE: 9
NAME: CENTER PANEL	QTY: 1Pc	CODE: 10
NAME: TOP RAIL	QTY: 2Pcs	CODE: 11
NAME: DRAWER FRONT PANEL	QTY: 1Pc	CODE: 101
NAME: DRAWER LEFT PANEL	QTY: 1Pc	CODE: 102
NAME: DRAWER BACK PANEL	QTY: 1Pc	CODE: 103
NAME: DRAWER BASE PANEL	QTY: 1Pc	CODE: 104
NAME: DRAWER RIGHT PANEL	QTY: 1Pc	CODE: 105
NAME: HARDWARE + AI	QTY: 1Pack	
NAME: RUNNER	QTY: 1Pack	
NAME: HINGES	QTY: 1Pack	

## PARTS IN BOX 2

NAME: TOP PANEL	QTY: 1Pc	CODE: 1
NAME: BOTTOM PANEL	QTY: 2Pcs	CODE: 4
NAME: BACK PANEL	QTY: 1Pc	CODE: 12
NAME: POST	QTY: 4Pcs	CODE: 13

# INSTRUCTION FOR CAM-BOLT & CAM-LOCK



CAM-BOLT

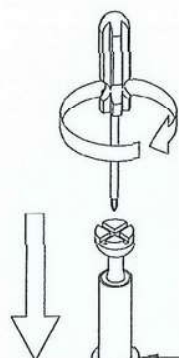


CAM-LOCK

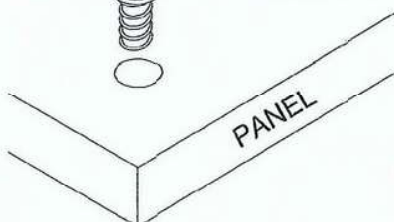
## Tools Required



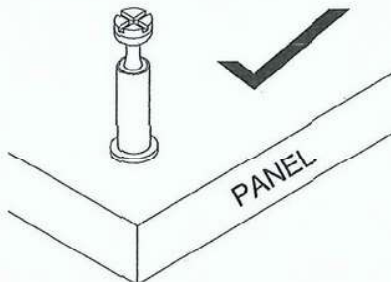
## INSERTING AND TIGHTENING CAM-BOLT



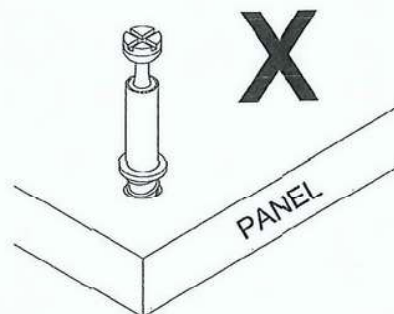
SHOULDER



Place Cam-bolt on pre-drilled hole and screw in vertically



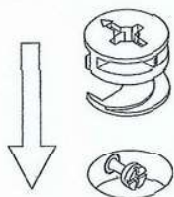
Shoulder is flushed (on the same level) with the panel.



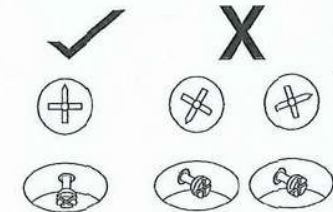
Shoulder is above the panel.

Place Cam-bolt on the designated pre-drilled holes on the panel. Use a Phillips Screwdriver to screw-in Cam-bolt vertically until shoulder is flushed (on the same level) with panel.

## INSERTING CAM-LOCK



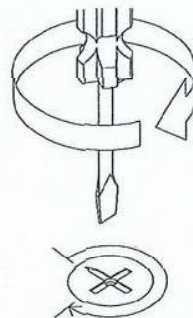
Insert Cam-lock with arrow align to Cam-bolt head



CORRECT

WRONG

## TIGHTENING CAM-LOCK

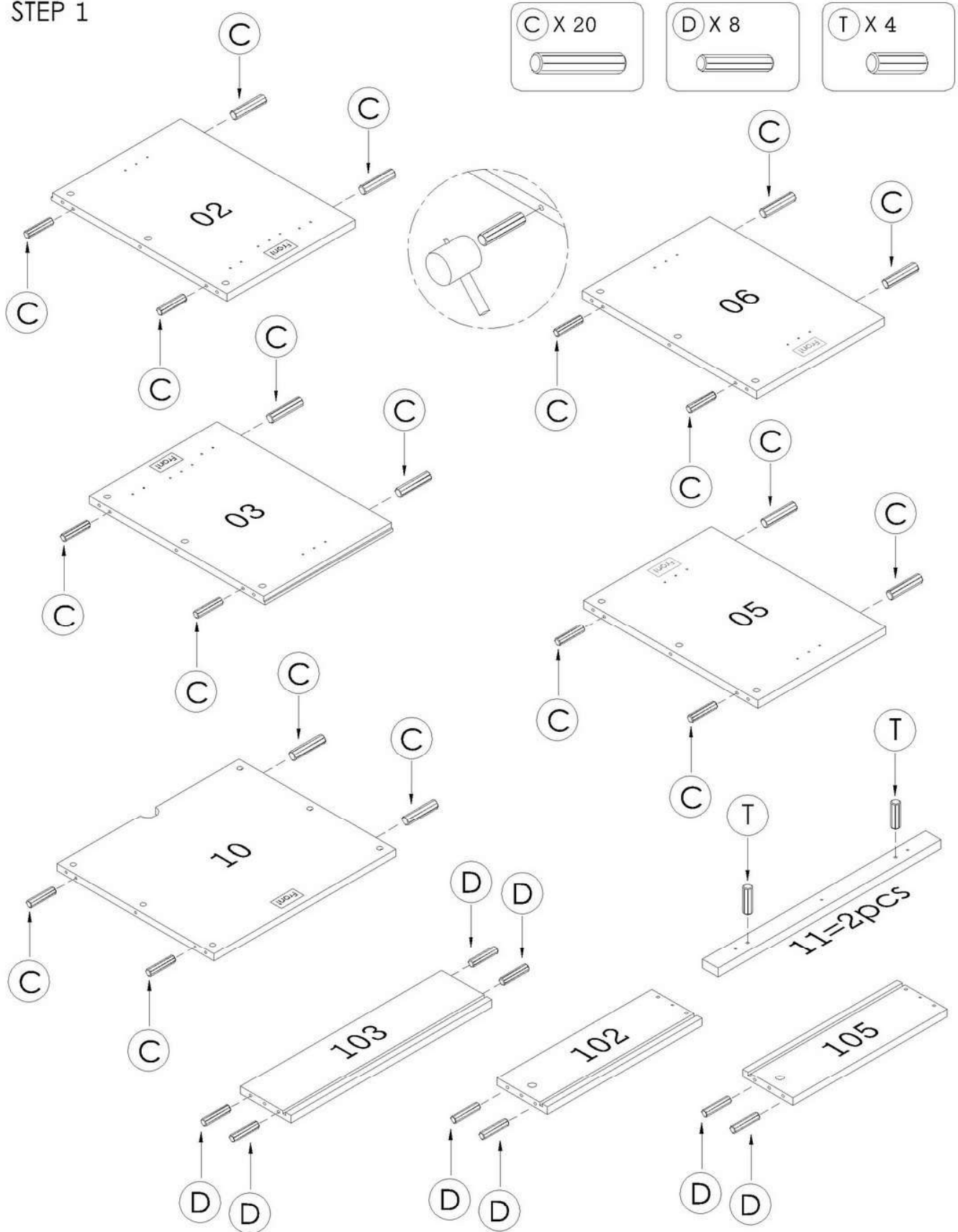


Use a Flat-head Screwdriver to turn Cam-lock clockwise so it locks onto the head of the Cam-bolt. Turn until it is snug (about 3/4ths of a turn) -- over-tightening could damage Cam-lock or/and Cam-bolt.

## CAM-LOCK

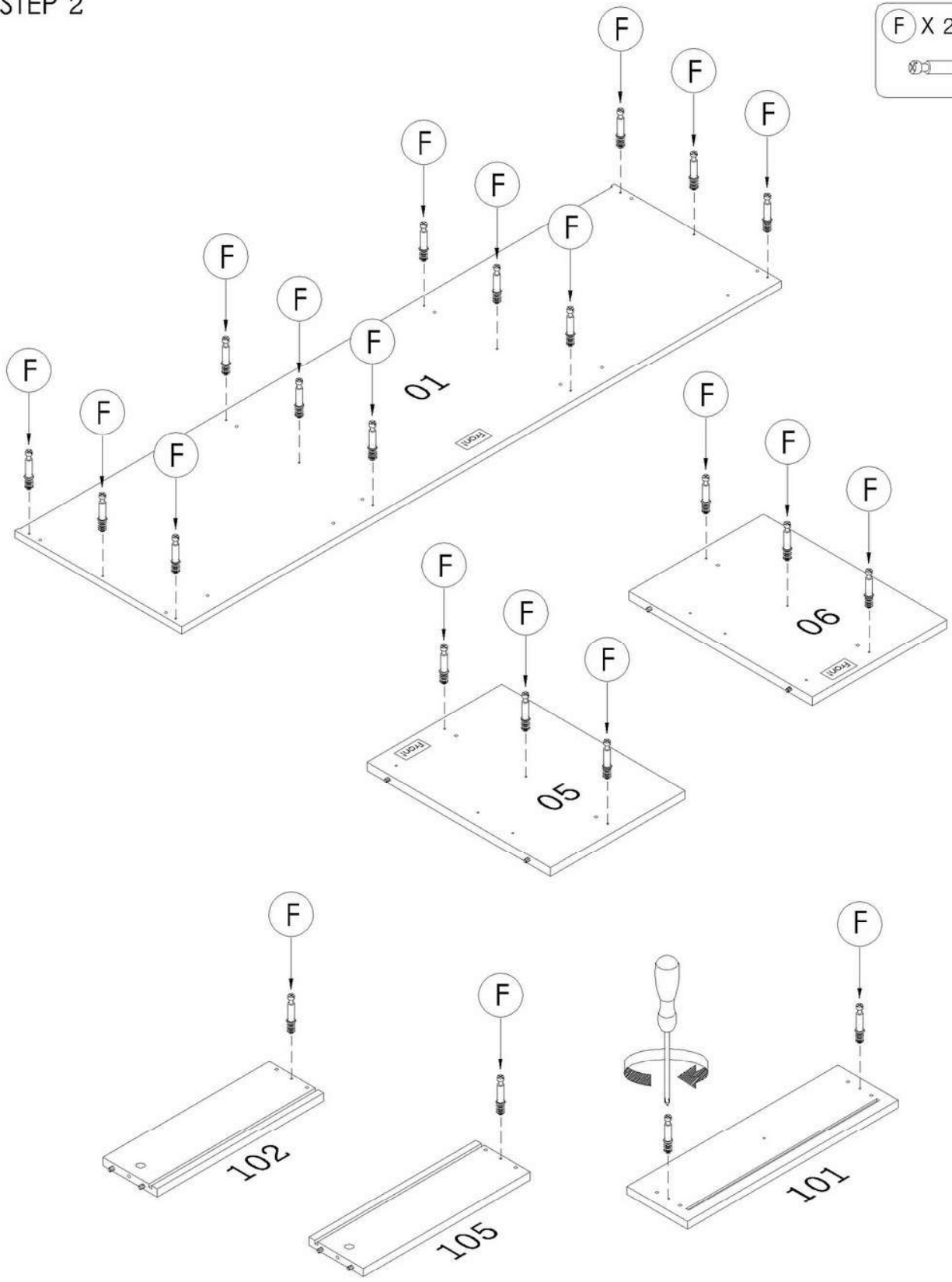
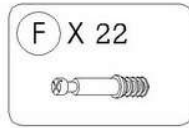
Align the arrow on the Cam-lock to the Cam-bolt head and insert the Cam-lock. Ensure Cam-lock is fully inserted.

STEP 1



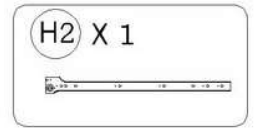
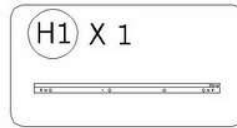
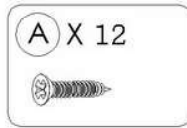
- A. Lay Left & Right Panel (2 & 3), Left & Right Middle Panel (5 & 6), Center Panel (10), Top Rail (11), Drawer Back Panel (103) and Drawer Left & Right Panel (102 & 105), as shown and identify the designated holes for Wood Dowel (C,D or T) on each part.
- B. Insert Wood Dowel (C,D or T) and use a mallet or hammer to lightly tap in Wood Dowel (C,D or T) if necessary.

## STEP 2



- A. Screw in Cam-Bolt (F) into the Top Panel (1), Left & Right Middle Panel (56), Drawer Front Panel (101), Left & Right Drawer Side Panel (102 & 105). Refer to page 5 for instructions on screwing and tightening Cam-Bolt (F).

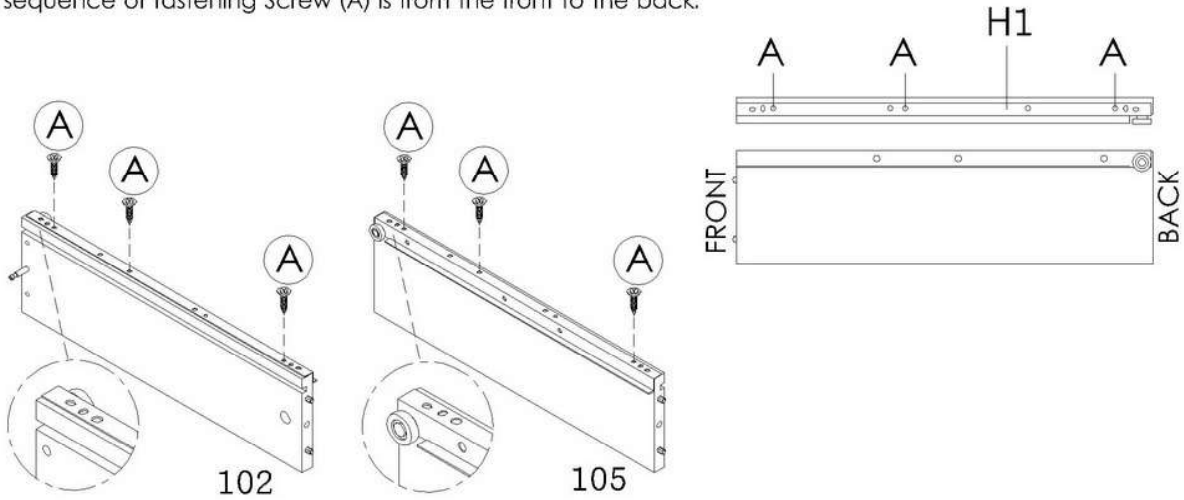
### STEP 3



### STEP 3A

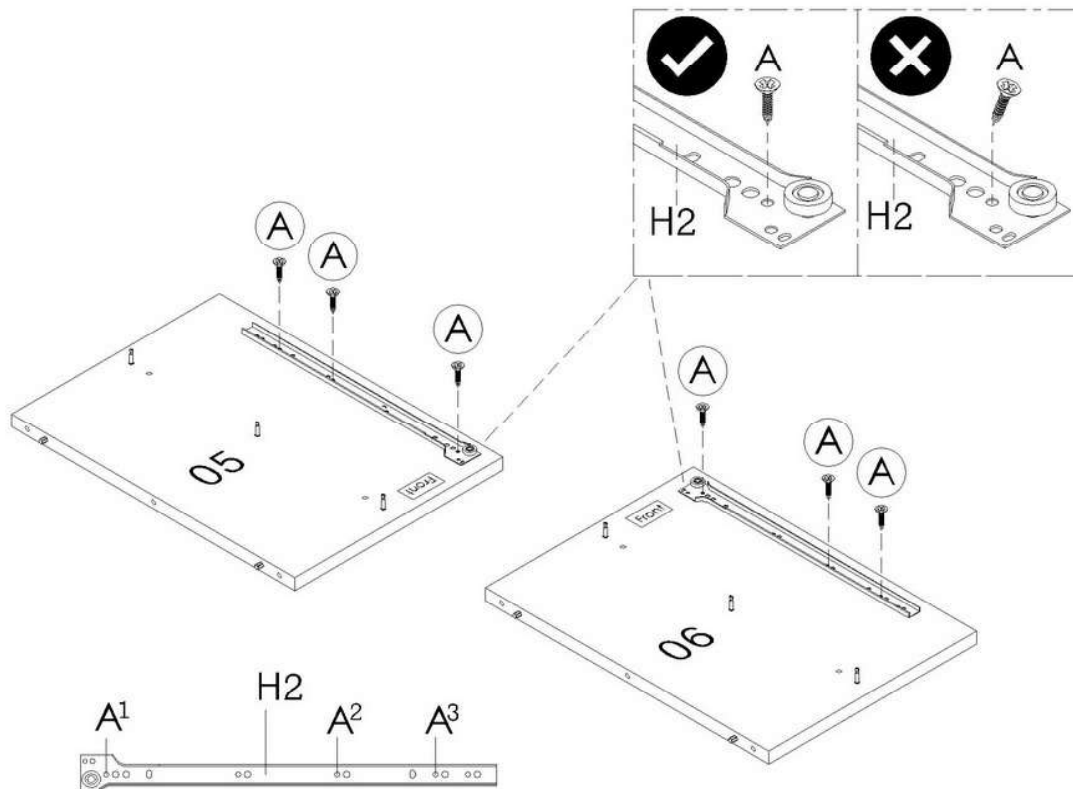
Identify the pilot holes on Left & Right Drawer Slide (102 & 105) and install Slide Runner (H1) using Chipboard Screw (A) – ensure that the screws are screwed in vertically. Do not tighten the screw completely until all three screws are in place.

Note: The sequence of fastening Screw (A) is from the front to the back.

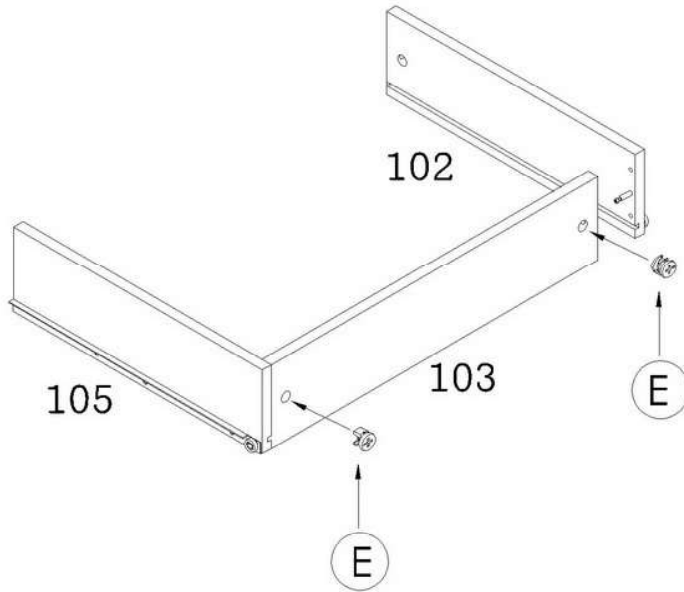
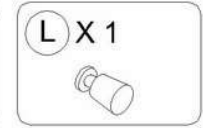
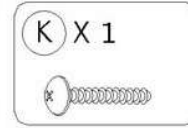
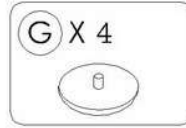
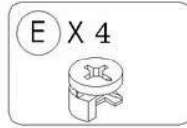


### STEP 3B

Identify the pilot holes on Left & Right Middle Panel (566) for Slide Track (H2) Use Screw (A) to fasten (H2)–ensure that the screws are screwed in vertically. Do not tighten the screw completely until all three screws are in each track.

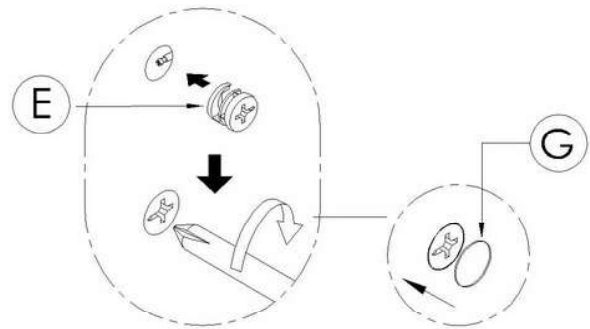


## STEP 4



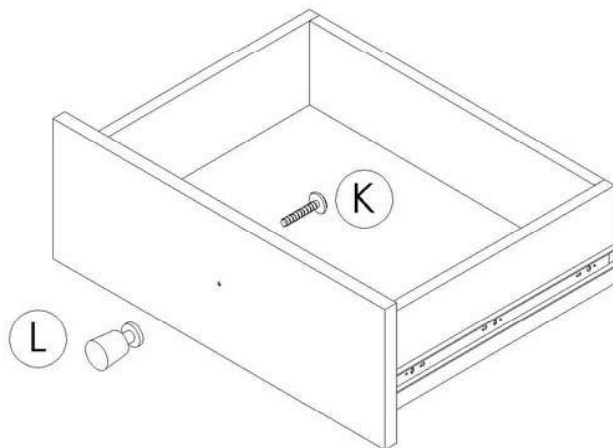
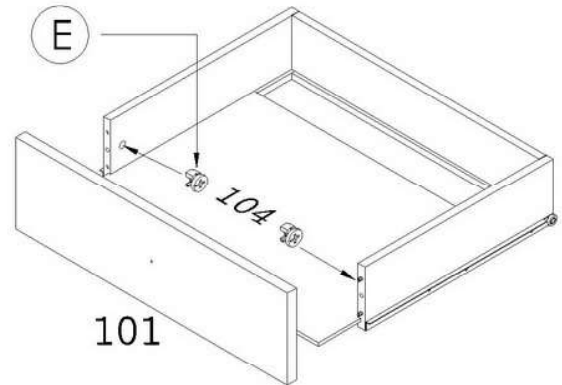
## STEP 4A

- Attach Drawer Left and Drawer Right Panel (102 & 105) to Drawer Back Panel (103) via Wood Dowel (D) and Cam-Bolt (F) on each part respectively.
- Insert Cam-Lock (E) to designated hole on Drawer Back (103) then turn clockwise to lock onto Cam-Bolt (F).
- Insert Cam-Lock Cover (G) to conceal Cam-Lock (E).



## STEP 4B

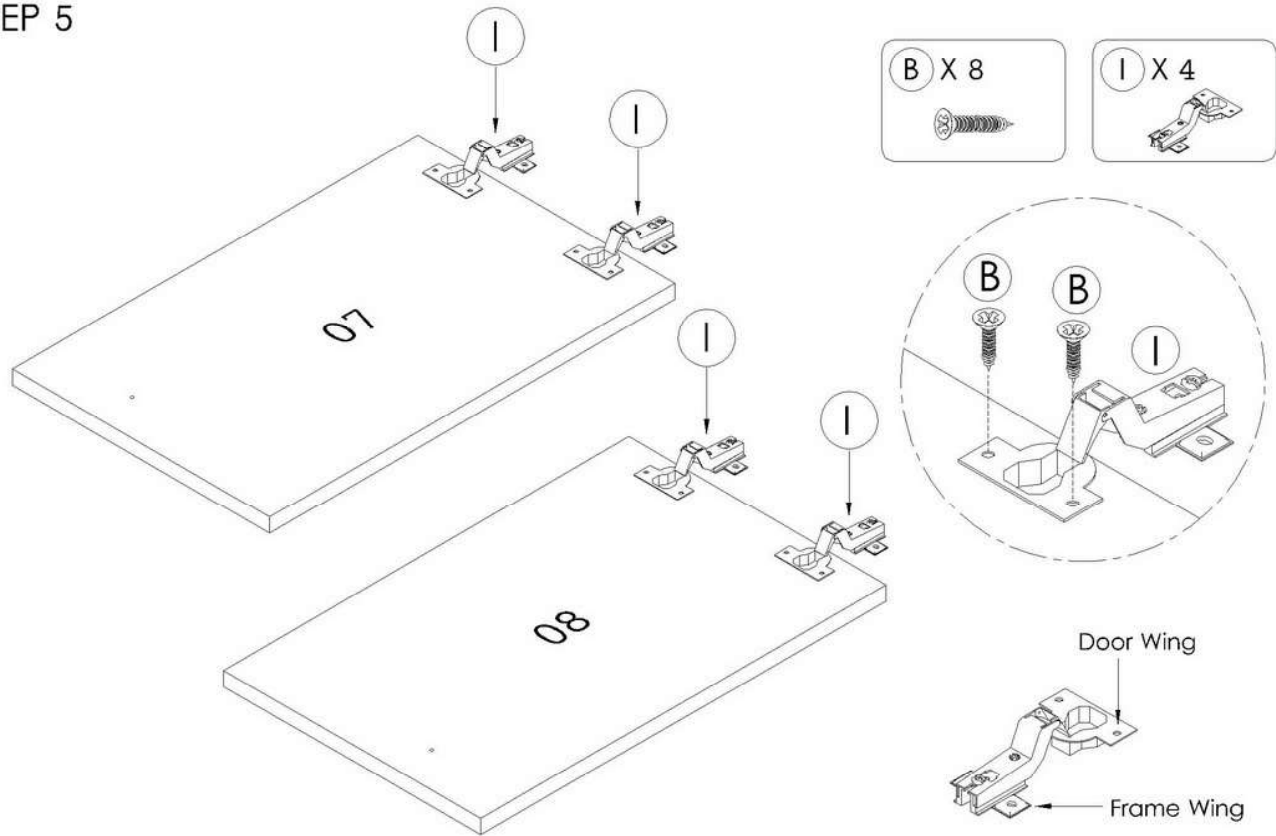
- Fit Drawer Base Panel (104) via groove on Drawer Side and Back Panel.
- Attach Drawer Front Panel (101) to Drawer Left & Right Panel (102 & 105) via Cam-Bolt (F) and Wood Dowel (D) on the respective parts. Check that Drawer Base Panel (104) fits into the groove on the inside face of Drawer Front Panel (101).
- Insert Cam-lock (E) into designated holes on Drawer Left & Right Panel (102 & 105) and turn clockwise to lock onto Cam-bolt.
- Insert Cam-lock Cover (G) to conceal Cam-lock.



## STEP 4C

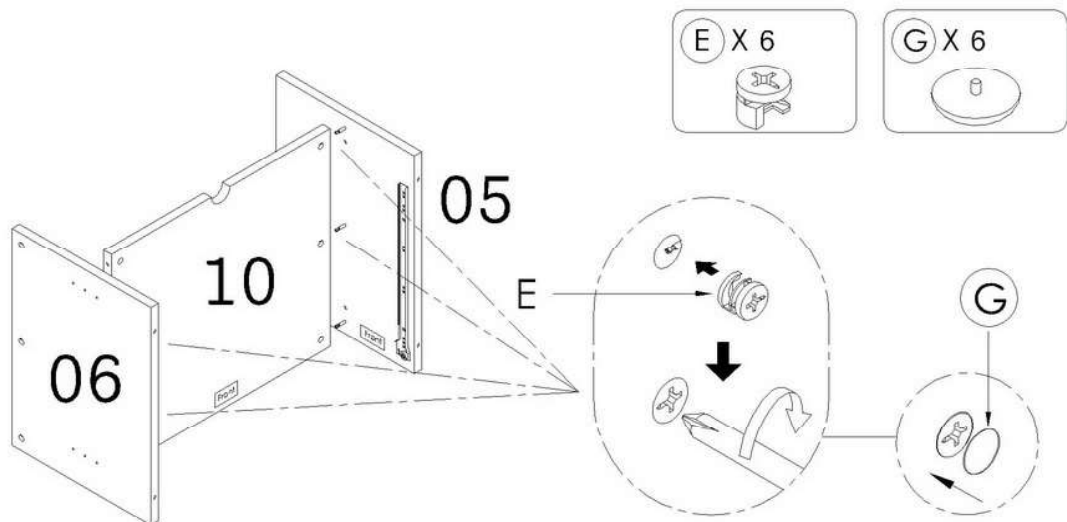
- Affix Handle (L) to Drawer Front Panel (101) with Panhead Screw (K)

## STEP 5



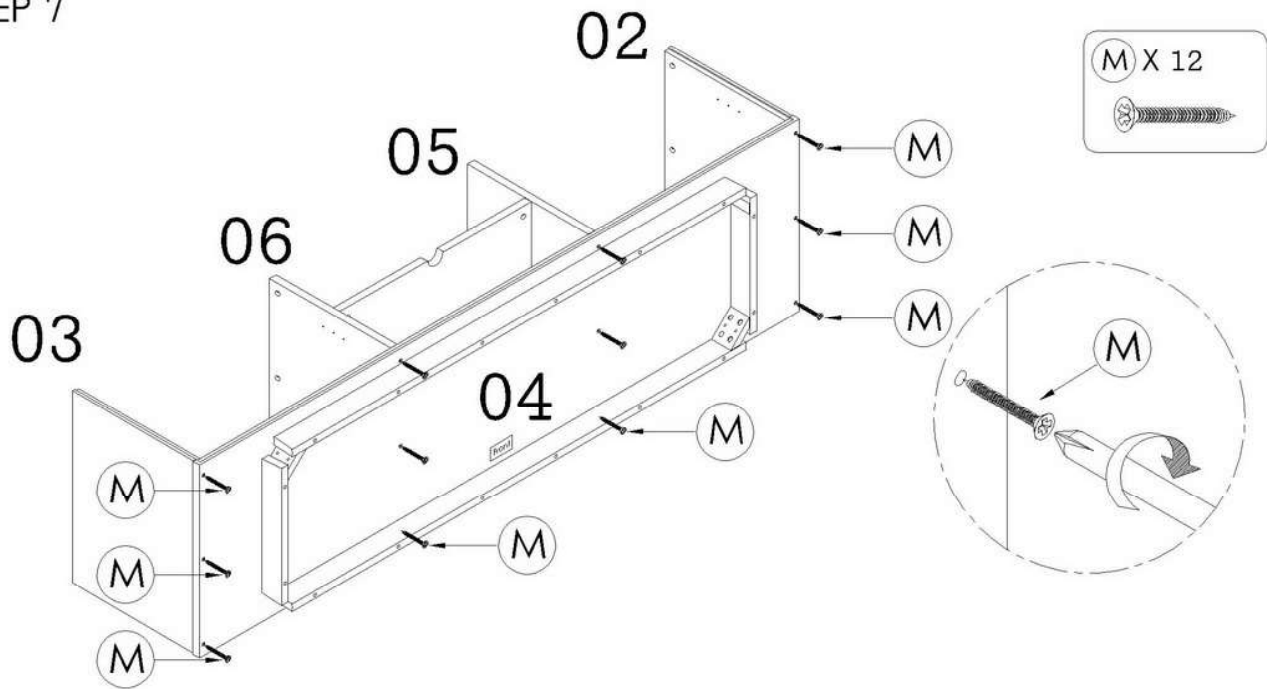
- A. Identify the pilot holes on Left & Right Door (7 & 8) and align the screw holes on Frame Wing to pilot holes. Next, use Chipboard Screw (B) to fasten Door Wing of Hinges (I).

## STEP 6



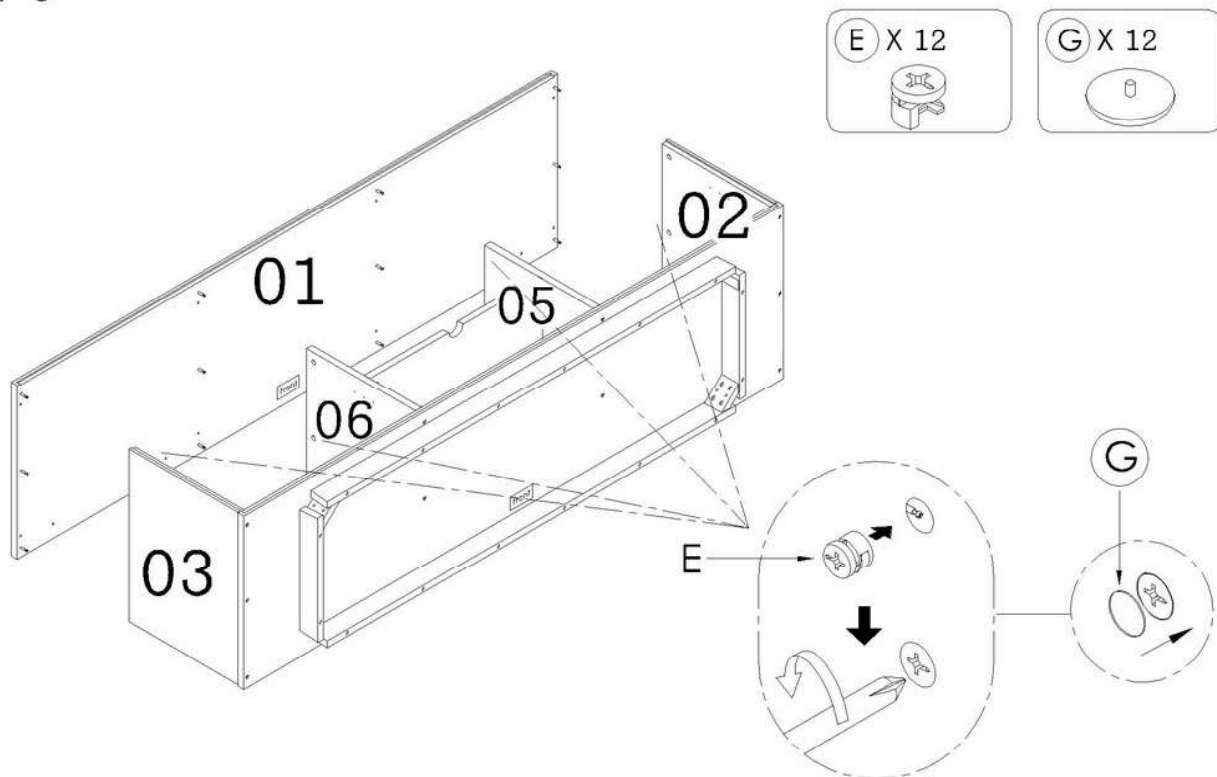
- Position the parts as shown and attach Center Panel (10) to Left & Right Middle Panel (5 & 6) via Cam-bolt and Wood Dowel on the respective parts.
- Insert Cam-Lock (E) into designated hole on Center Panel (10), then turn clockwise to lock onto Cam-Bolt (F).
- Insert Cam-Lock Cover (G) to cover Cam-Lock (E).

STEP 7



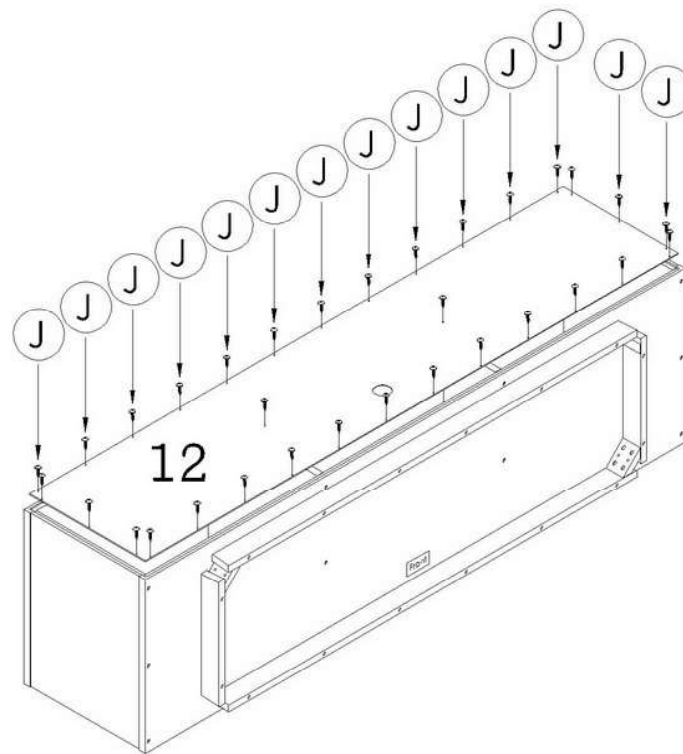
- A. Use Chipboard Screw (M) to fasten tighten Bottom Panel (4) to Left & Right Panel (2 & 3) and Left & Right Middle Panel (5 & 6). Do not tighten Screw (M) completely until all the screws are in place.

STEP 8



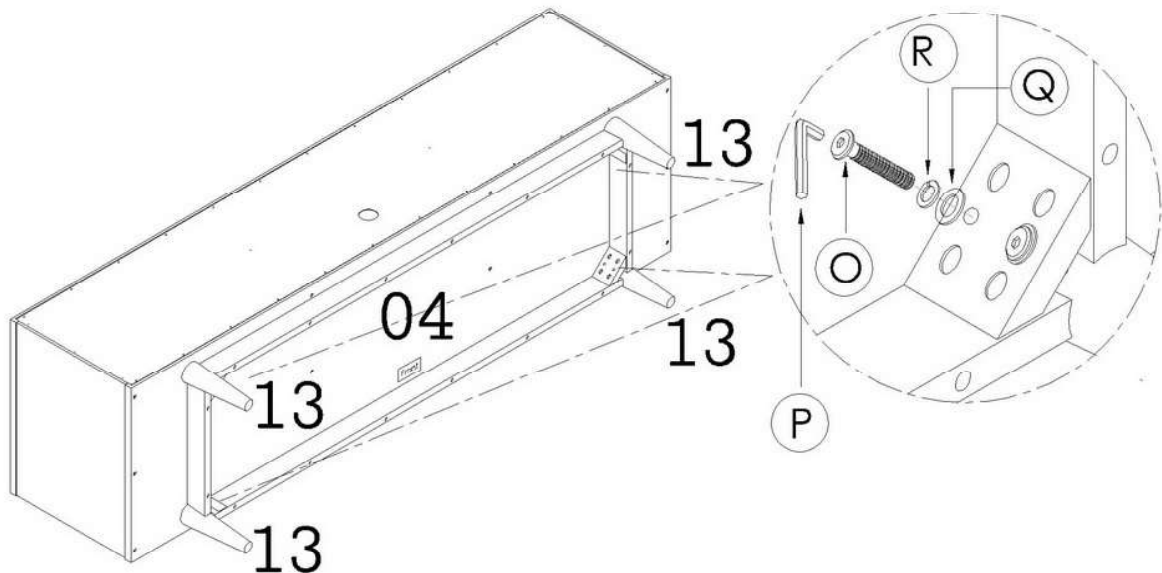
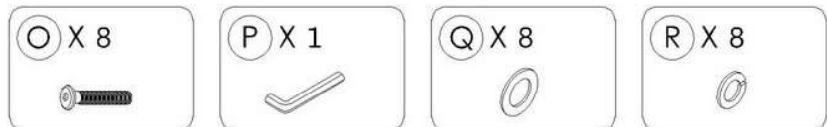
- a) Attach Top Panel (1) to Left & Right Panel (2 & 3) and Left & Right Middle Panel (5 & 6), via Cam-bolt and Wood Dowel on respective parts.  
 b) Insert Cam-lock (E) into designated hole on (2, 3, 5 & 6) then turn clockwise to lock onto Cam-bolt.  
 c) Insert Cam-lock Cover (G) to cover Cam-lock.

## STEP 9



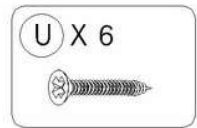
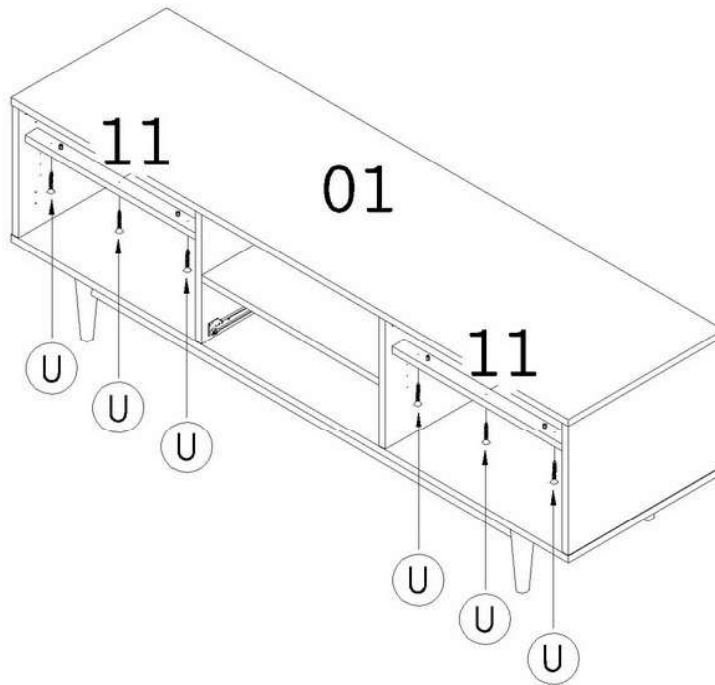
Attach Back Panel (12) to assembly unit and fasten with Panhead Chipboard Screw (J).

## STEP 10



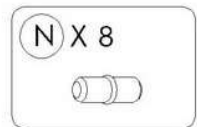
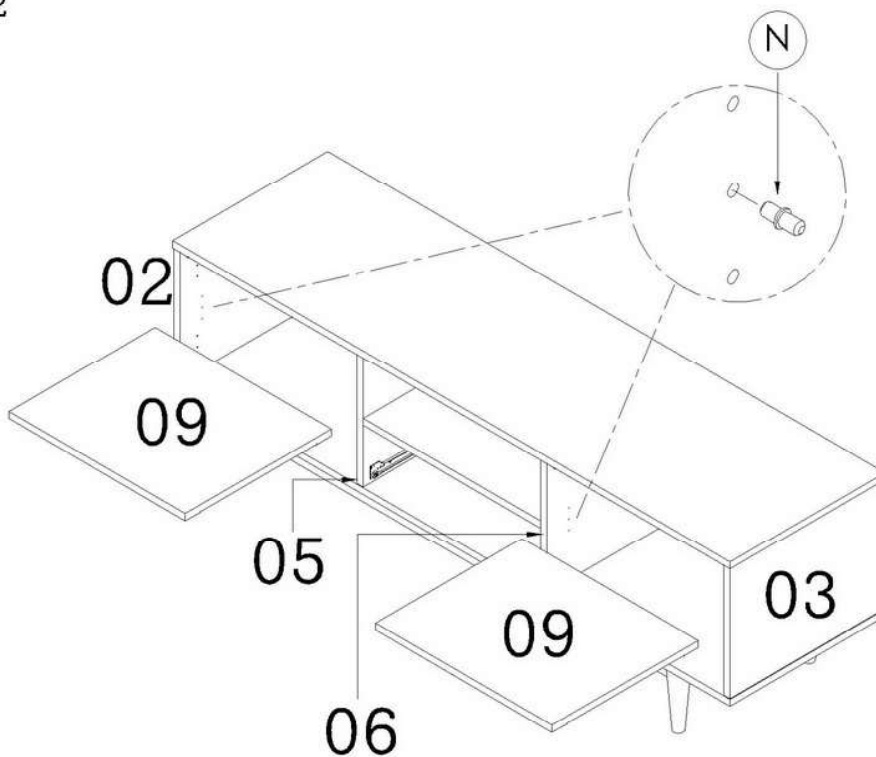
- Position Post (13) to Bottom Panel (4) as shown. Use JCBC Screw (O), Filled with Flat Washer (Q) & Spring Washer (R) to fasten. Use Allen Key (P) to drive JCBC Screw (O). Do not tighten (O) completely until all 4 screws are in place on each leg.
- With assistance, set the assembly right-side up when all the legs are installed.

## STEP 11



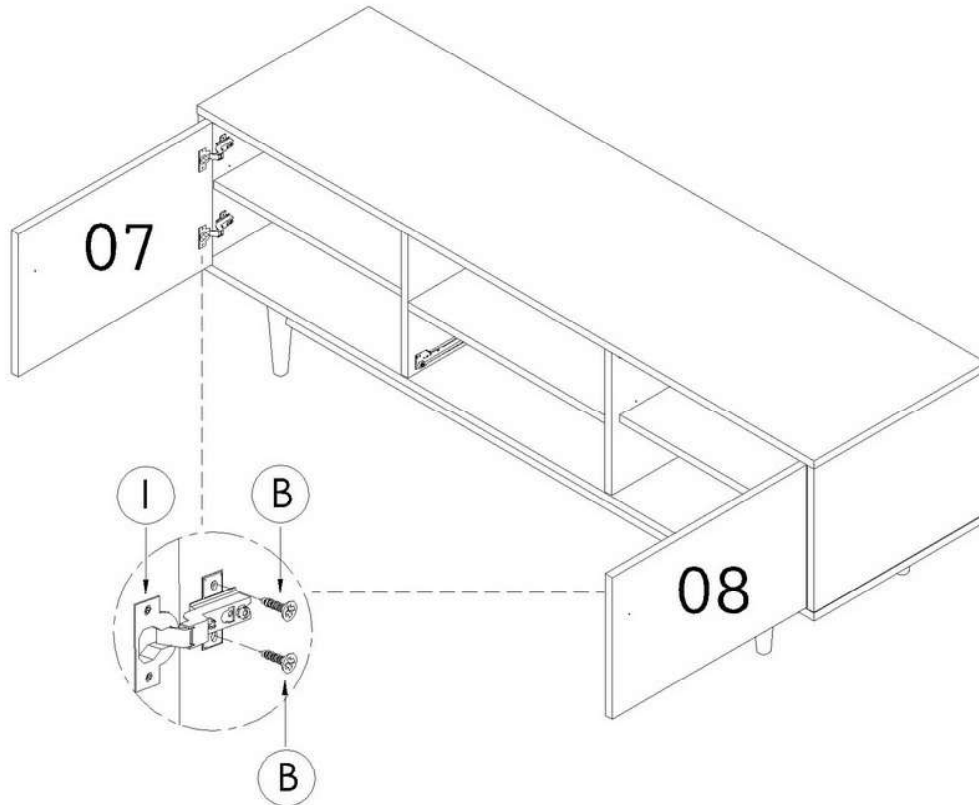
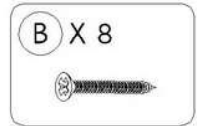
- A. Use Chipboard Screw (U) to fasten Top Bar (11) to Top Panel.1 (

## STEP 12



- A. Insert Shelf Pin (N) into the designated holes on the same level at the desired height on Left Panel & Middle Left Panel (2 & 5) and Right Panel & Middle Right Panel (3 & 6). Place Shelf (9) by tilting it to fit between Side Panels and then level it to sit on Shelf Pin (N).

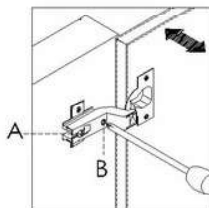
## STEP 13



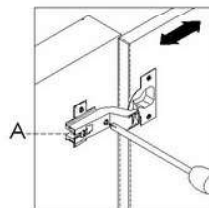
- a) Position Left & Right Door (7 & 8) from STEP 4 as shown and place Frame Wing of Hinge (I) against the Left & Right Panel (2 & 3). Next, align the screw holes on Frame Wing to pilot holes on the Left & Right Panel).3 & 2 (
- c) Use a Philips Screwdriver to drive Screw (B) to fasten Frame Wing of Hinges to the Left Panel. Do not tighten the screw completely until both screws are in place.

### HINGE ADJUSTMENT:

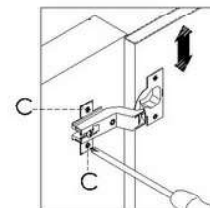
if the door does not appear square or misaligned, loosen or tighten the appropriate screws on each case hinge as illustrated.



- 1) Side to side adjustment :  
Loosen Screw A, adjust gap with screw B and re-tighten Screw A

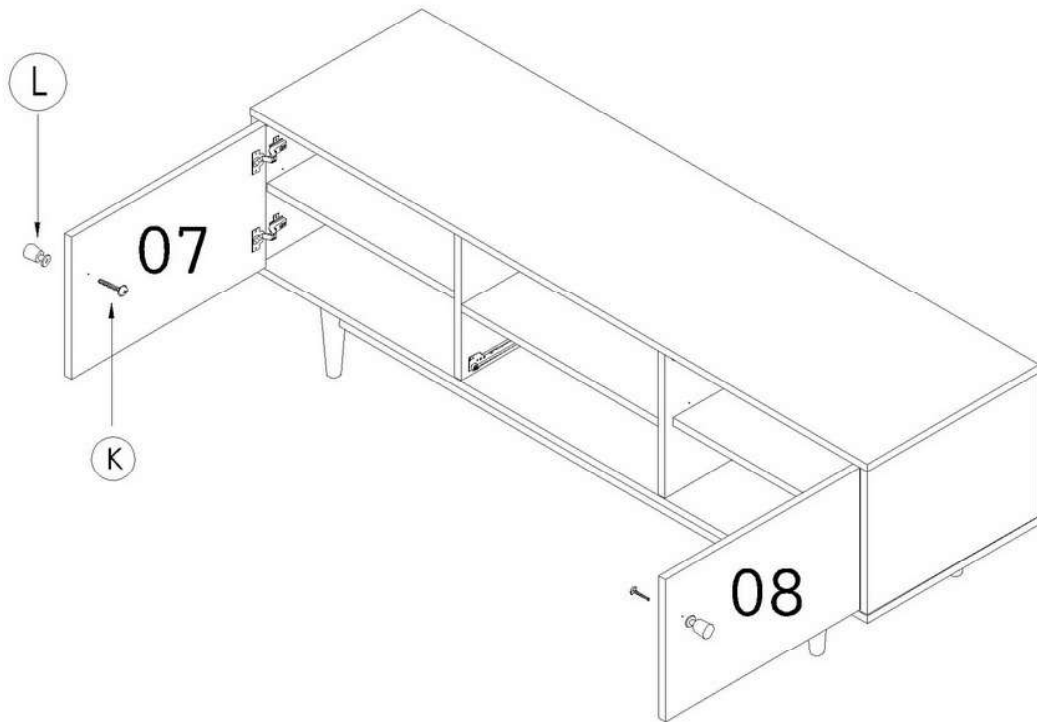
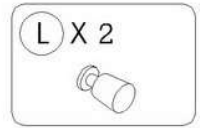
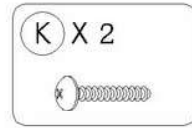


- 2) Depth adjustment:  
Loosen Screw A, push hinge arm forwards or backwards, re-tighten screw A.



- 3) Height adjustment:  
Loosen Screw C, adjust door height and re-tighten screw C.

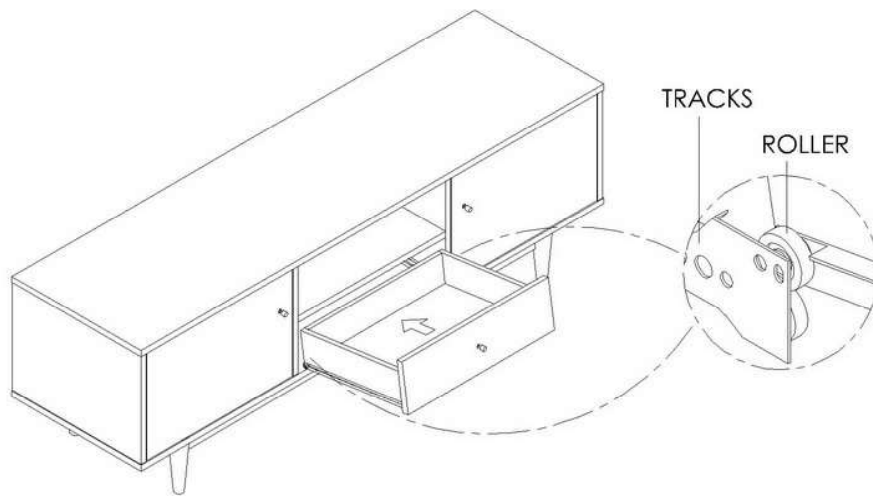
STEP 14



- A. Affix Handle (L) to Left & Right Door (7 & 8) with Panhead Screw (K).

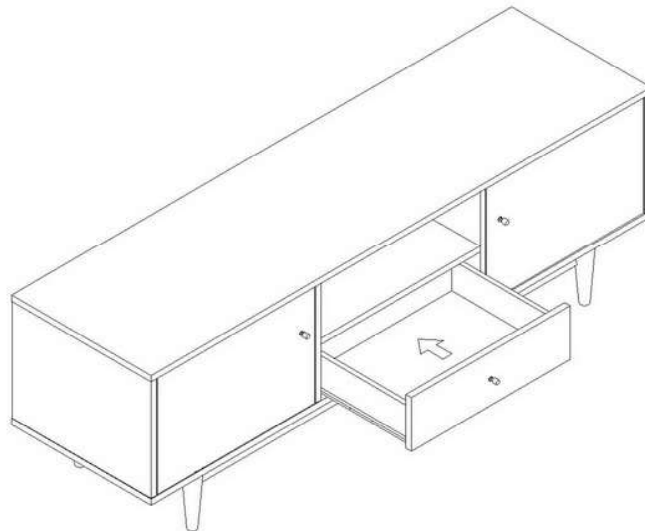
STEP 14

STEP 14A



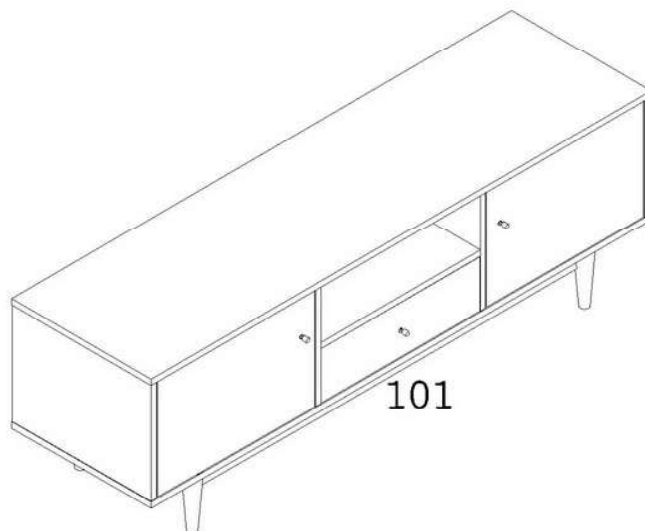
Align runner roller on drawer box to runner track of middle panel

STEP 14B



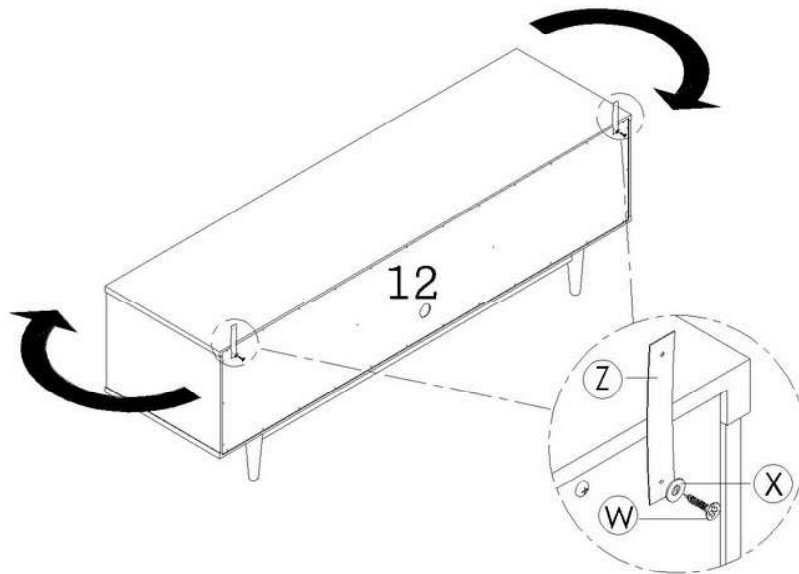
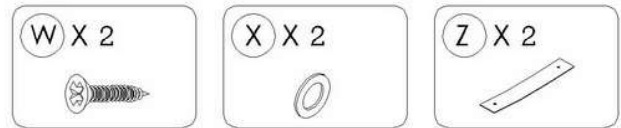
When both tracks are aligned properly, push the drawer box all the way in.

STEP 14C

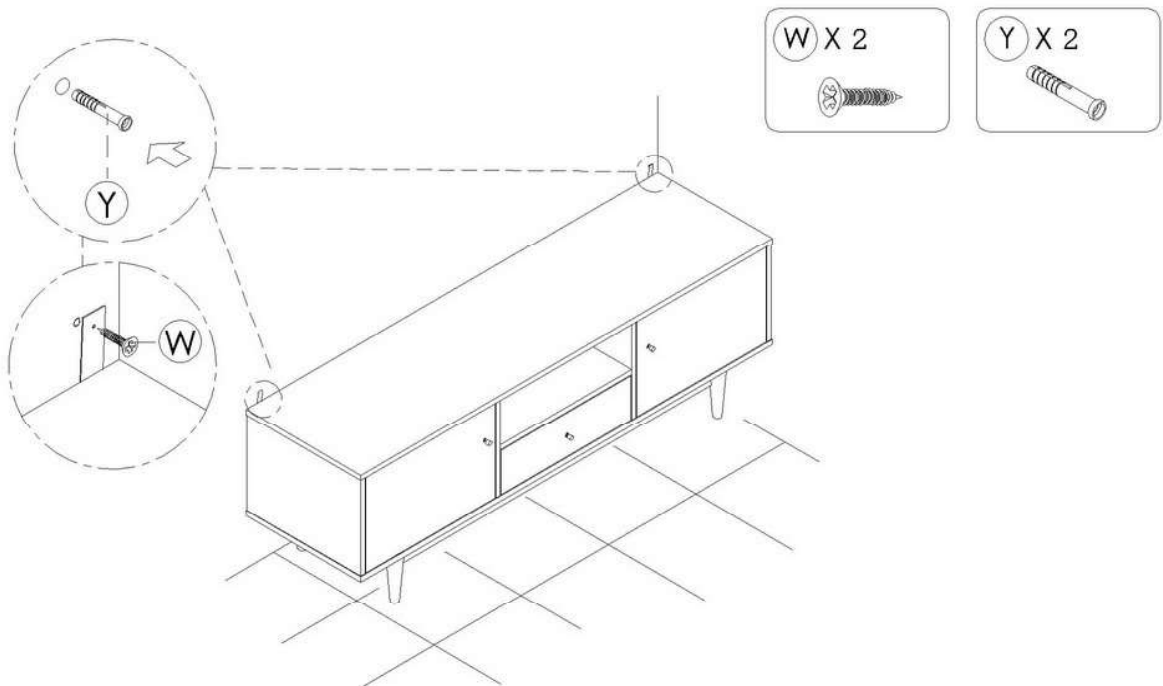


Drawers should assembled as follows

## STEP 15



Use Screw (W) fitted with Flat Washer (X) to fasten one end of Safety Strap (Z) to the Back Panel.



- Select the location to place the unit. Mark the 2 spots to tether the Safety Strap to the wall.
- On each marked spot, drill a hole in the dry wall to fit Anchor (Y) snugly and insert (Y). Ensure that the anchor fits securely in the wall.
- Affix the Strap to the anchor by using Screw (W).

The assembly of the buffet unit is complete.