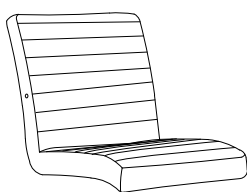
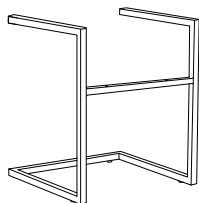
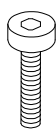
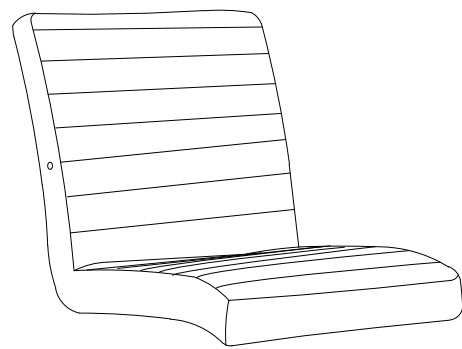


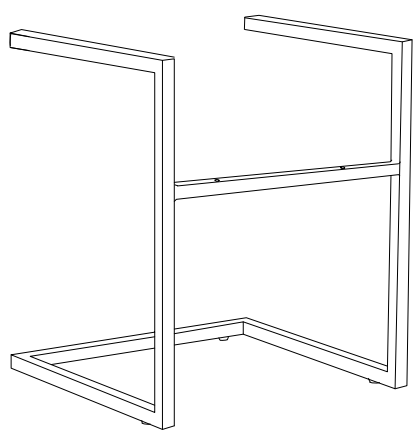
Diagram illustrating assembly instructions and safety warnings:

- Warning 1:** A warning triangle with an exclamation mark is positioned above a box containing:
  - An icon of an L-shaped metal bracket.
  - An icon of a power drill with a diagonal line through it, indicating that a power drill should not be used for this step.
- Warning 2:** A warning triangle with an exclamation mark is positioned above a box containing:
  - An icon of a rectangular block being placed on a textured surface.
  - An icon of a rectangular block with a diagonal line through it, indicating that the block should not be placed on a soft or uneven surface.
- Time:** A clock icon is shown next to the text "15'", indicating a 15-minute assembly time.
- Person:** An icon of a person is shown next to the number "1", indicating that one person is required for assembly.

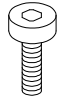
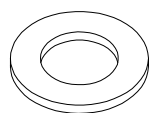
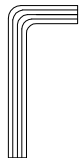
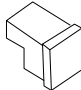

<p><b>A</b></p>  <p><b>x 1</b></p>	<p><b>B</b></p>  <p><b>x 1</b></p>	<p><b>C</b></p>  <p>M6 x 35</p> <p><b>x 2</b></p>
---	---	--



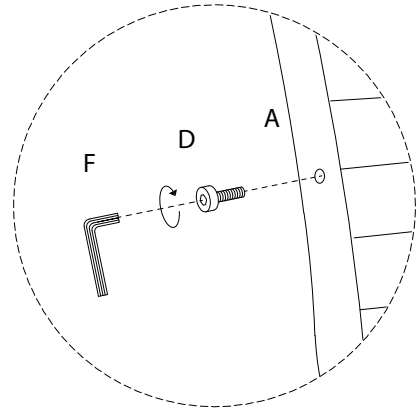
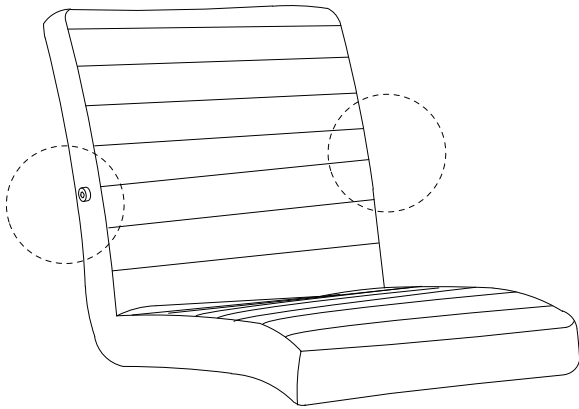
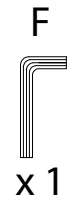
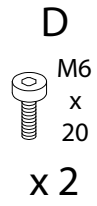
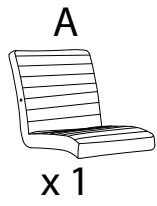
**A**



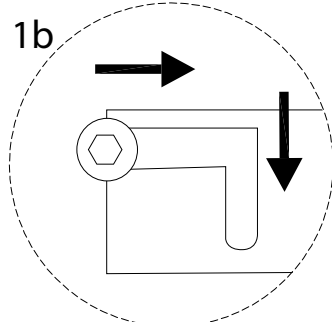
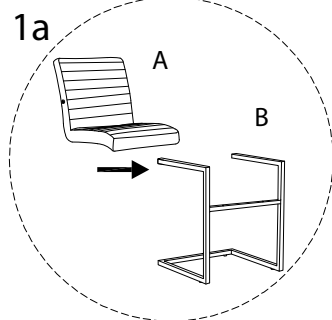
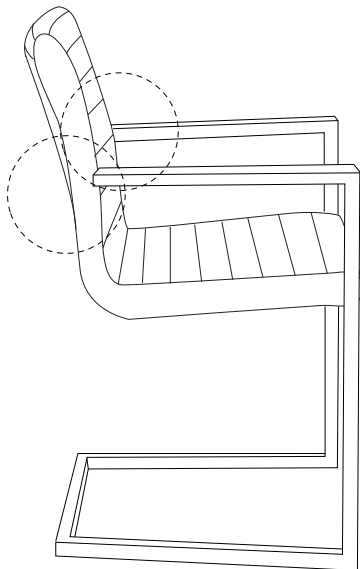
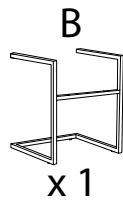
**B**

<p><b>D</b></p>  <p>M6 x 20</p> <p><b>x 2</b></p>	<p><b>E</b></p>  <p><b>x 2</b></p>	<p><b>F</b></p>  <p><b>x 1</b></p>	<p><b>G</b></p>  <p><b>x 2</b></p>	<p><b>H</b></p>  <p><b>x 2</b></p>
--	---	---	---	---

1



2

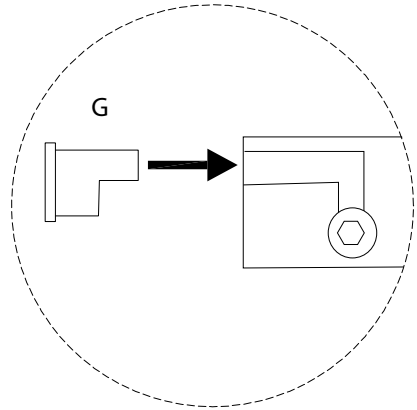
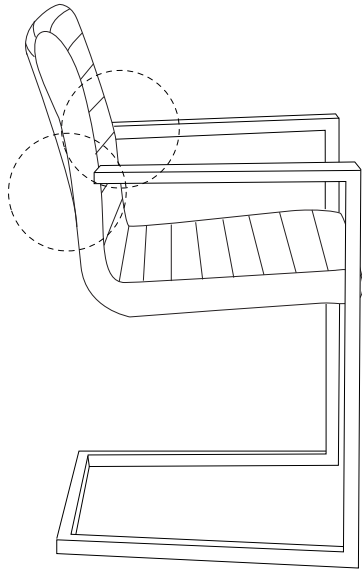


3

G



x2



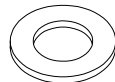
4

C



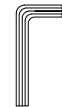
x2

E

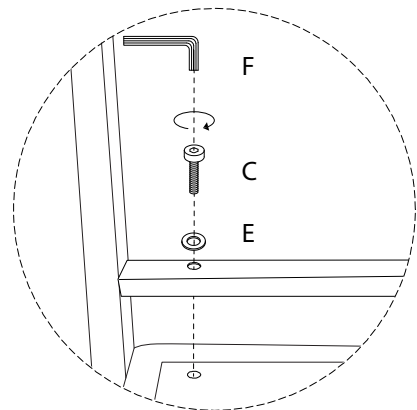
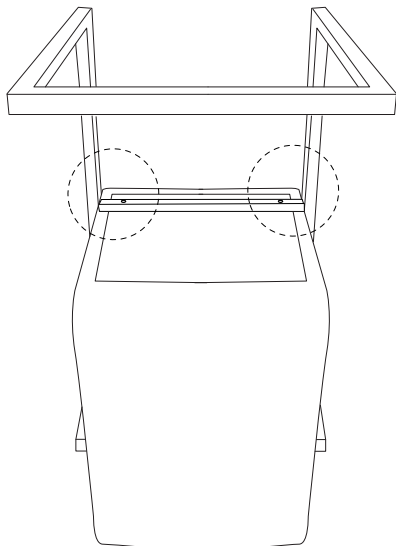


x2

F



x1



5

H



x2

