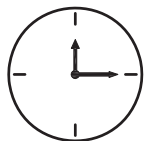
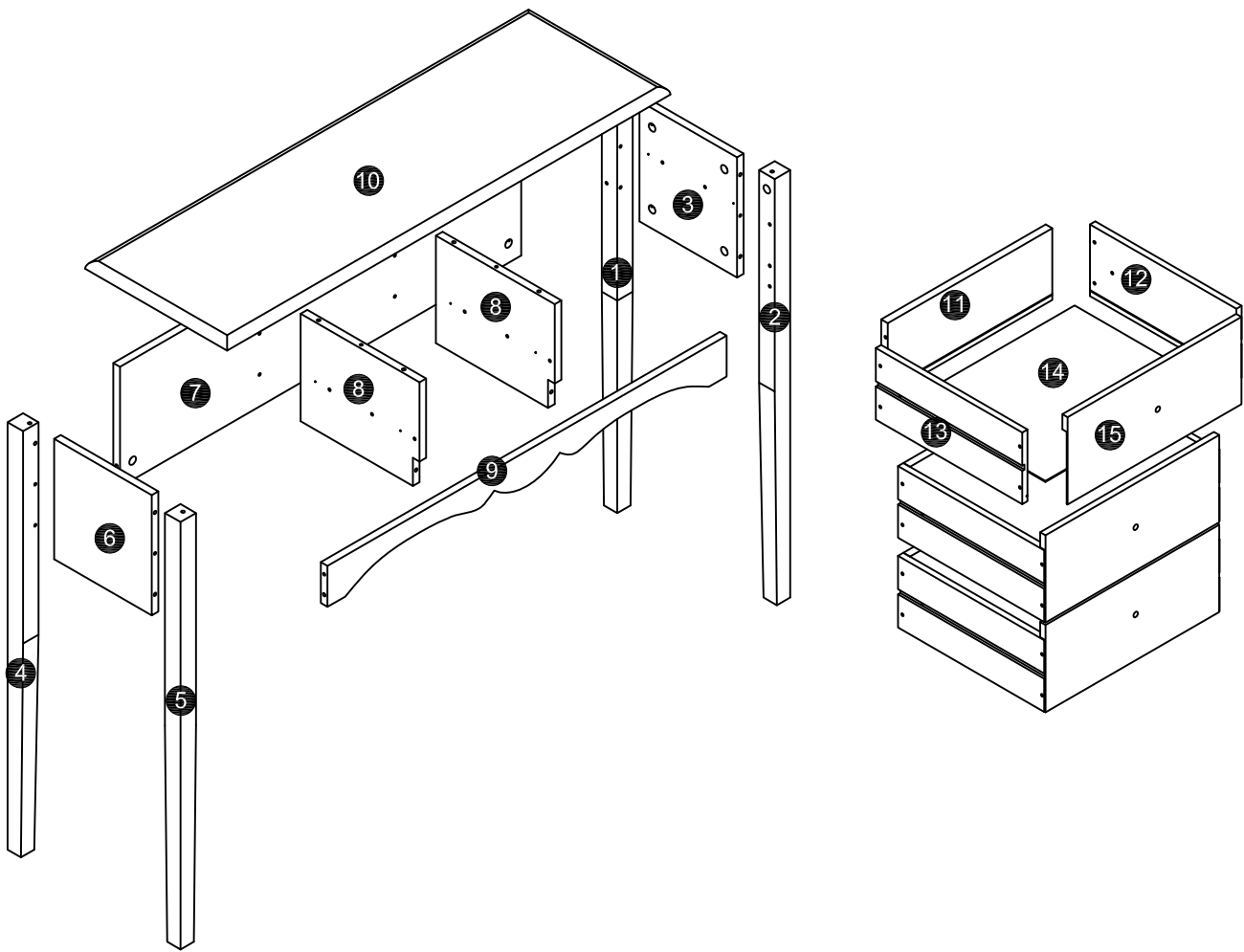


2 PERS.



30 MIN



A	x 24
Ø6X35mm	

B	x 24
Ø15X10mm	

C	x 6

D	x 10
Ø6x30mm	

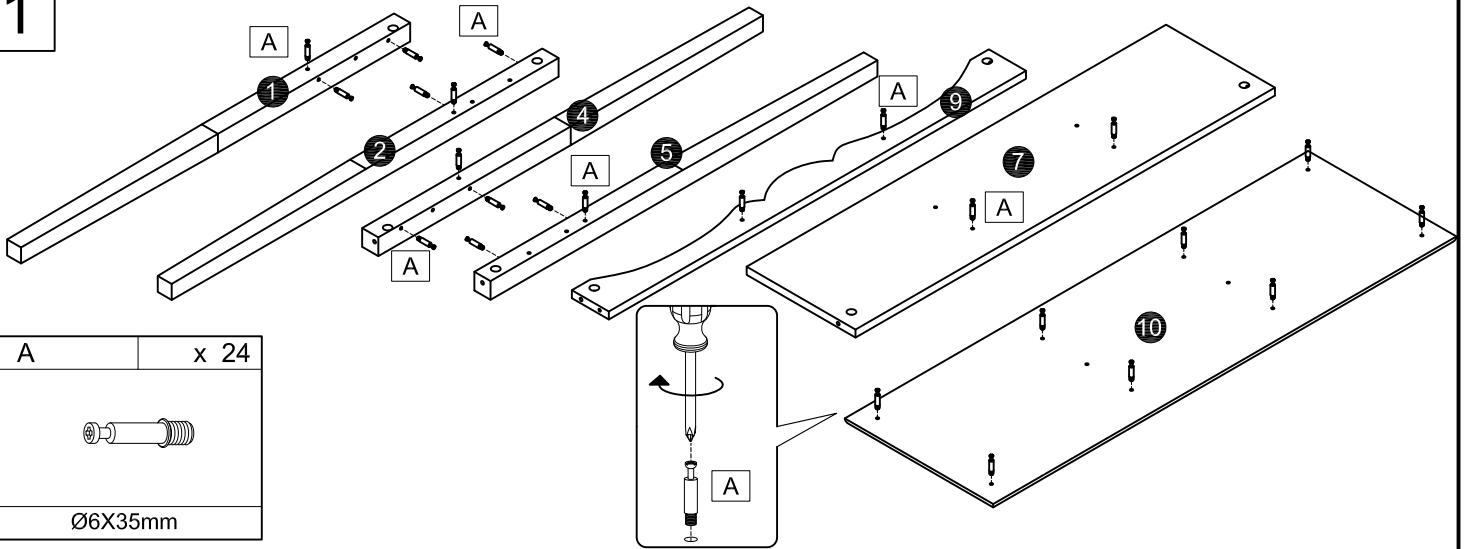
E	x 27
M4x25mm	


F	x 3

G	x 6
25cm	

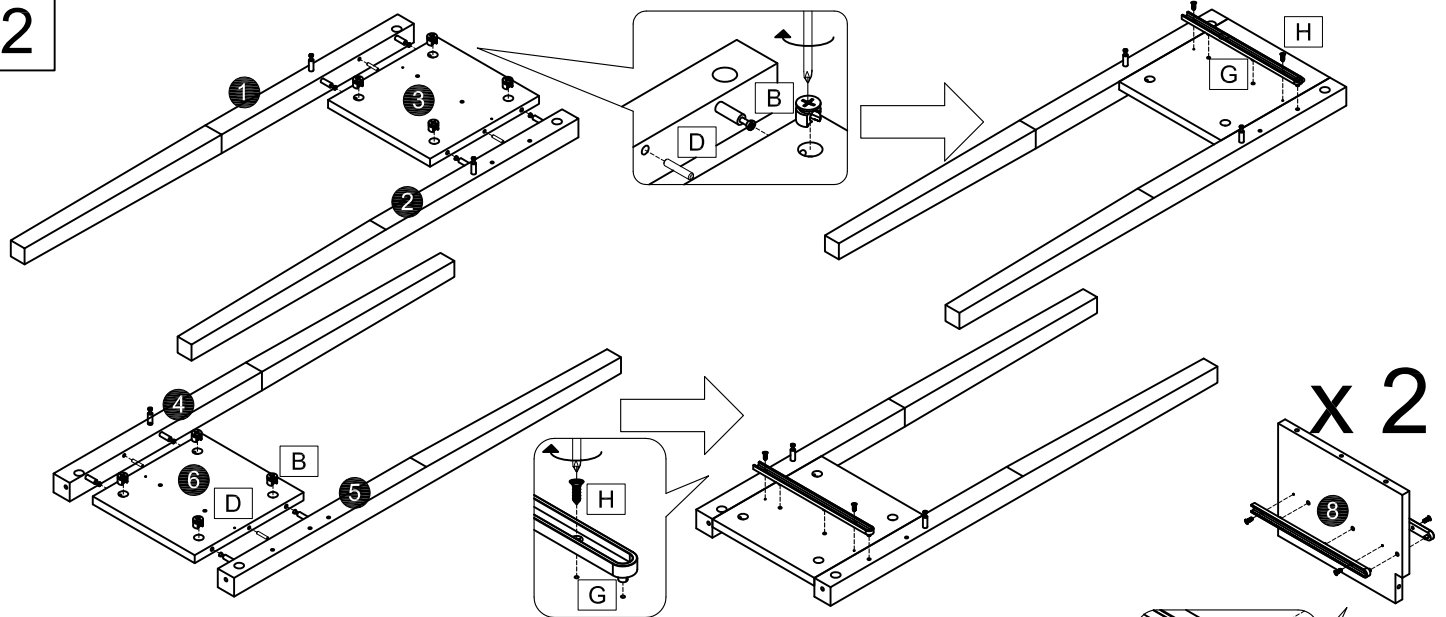
H	x 12
M3x12mm	


1





A	x 24
	
Ø6X35mm	

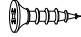
2

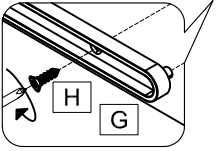


B	x 8
	
Ø15X10mm	

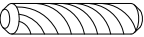
D	x 4
	
Ø6x30mm	


G	x 6
	
25cm	

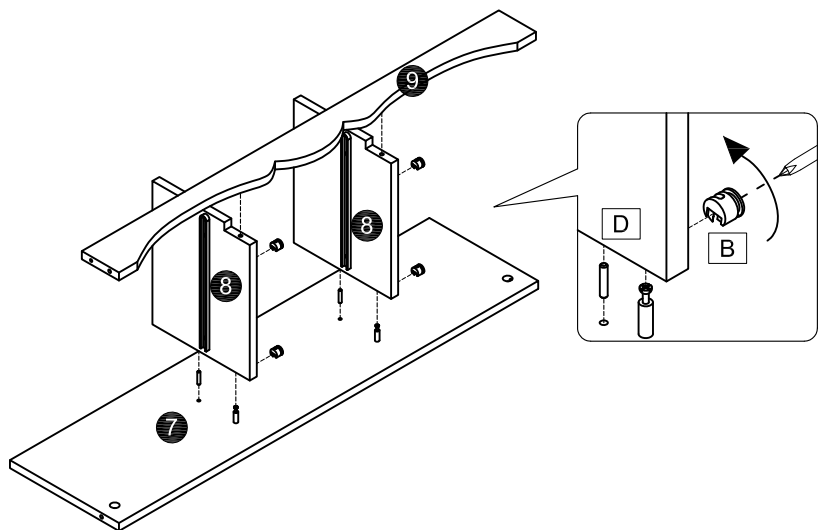
H	x 12
	
M3x12mm	



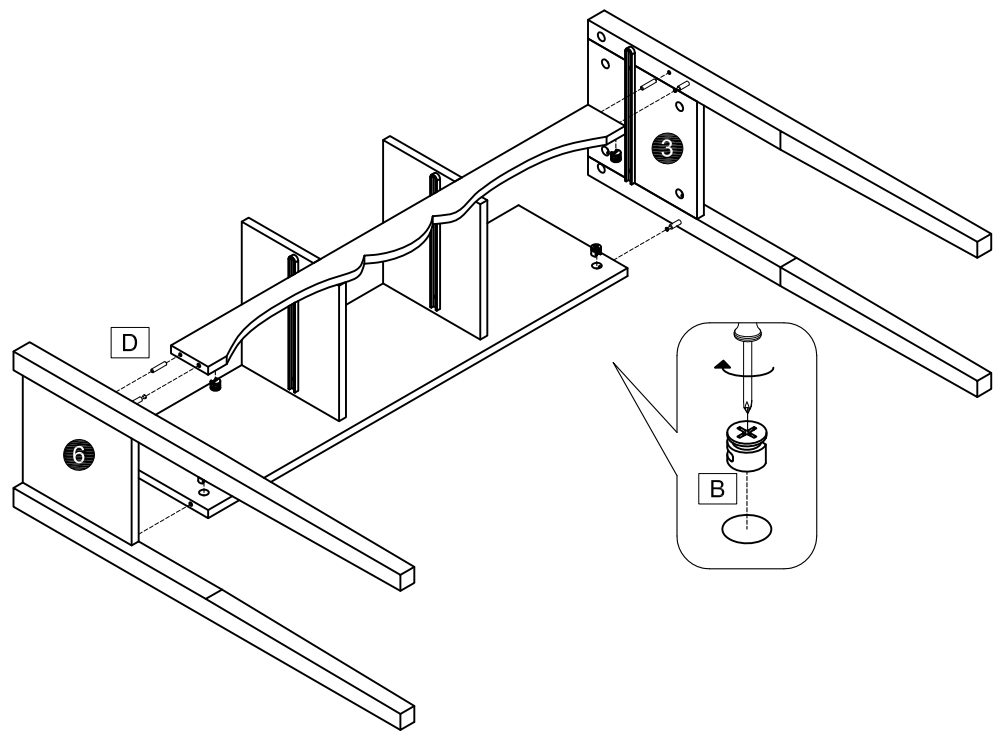
3

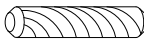
D	x 2
	
Ø6x30mm	


B	x 4
	
Ø15X10mm	



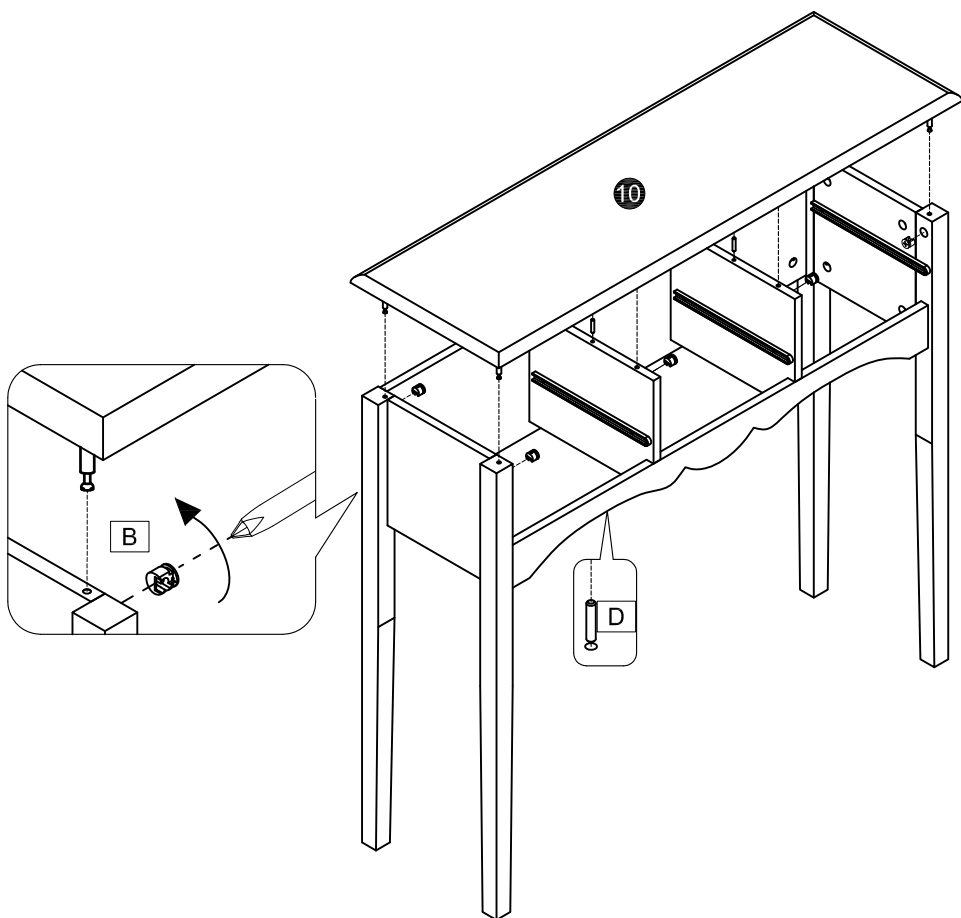
4





D	x 2
	
Ø6x30mm	

B	x 4
	
Ø15X10mm	

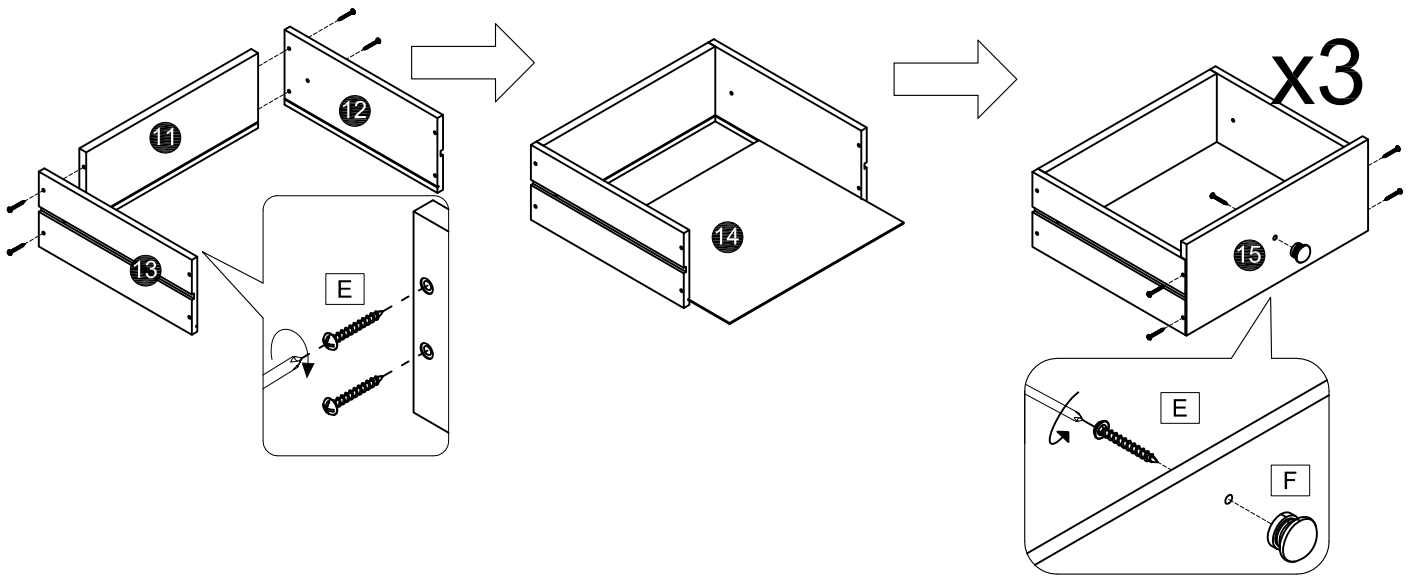
5

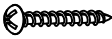



D	x 2
	
Ø6x30mm	

B	x 8
	
Ø15X10mm	

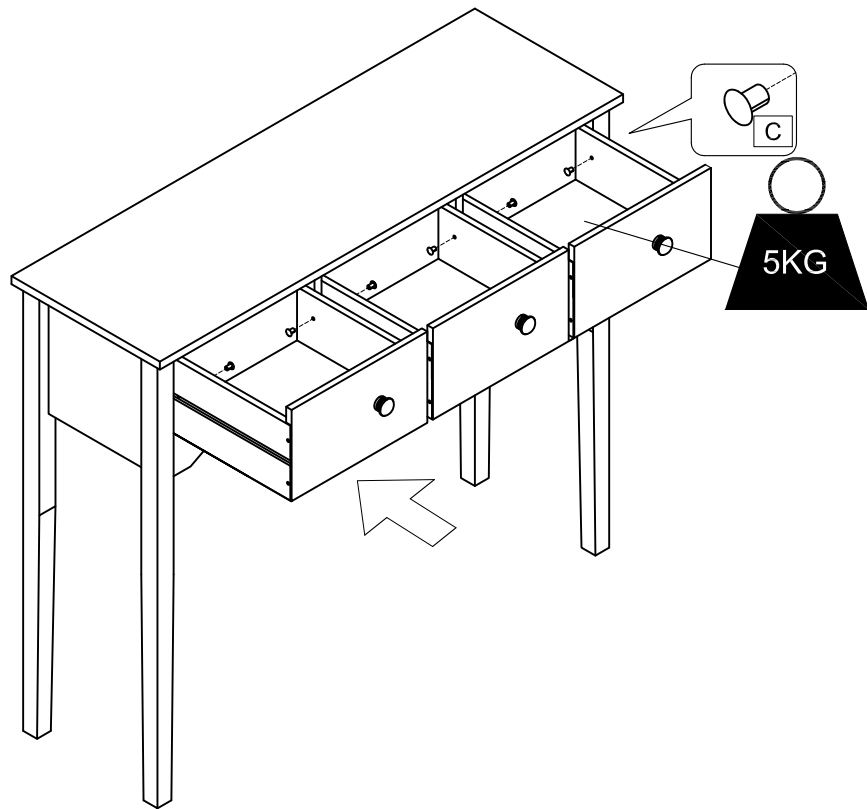
6



E	x 27
	
M4x25mm	

F	x 3
	

7



C	x 6
